

Зип Общепит

vsezip.ru
SCOTSMAN®
+7(812)987-08-81

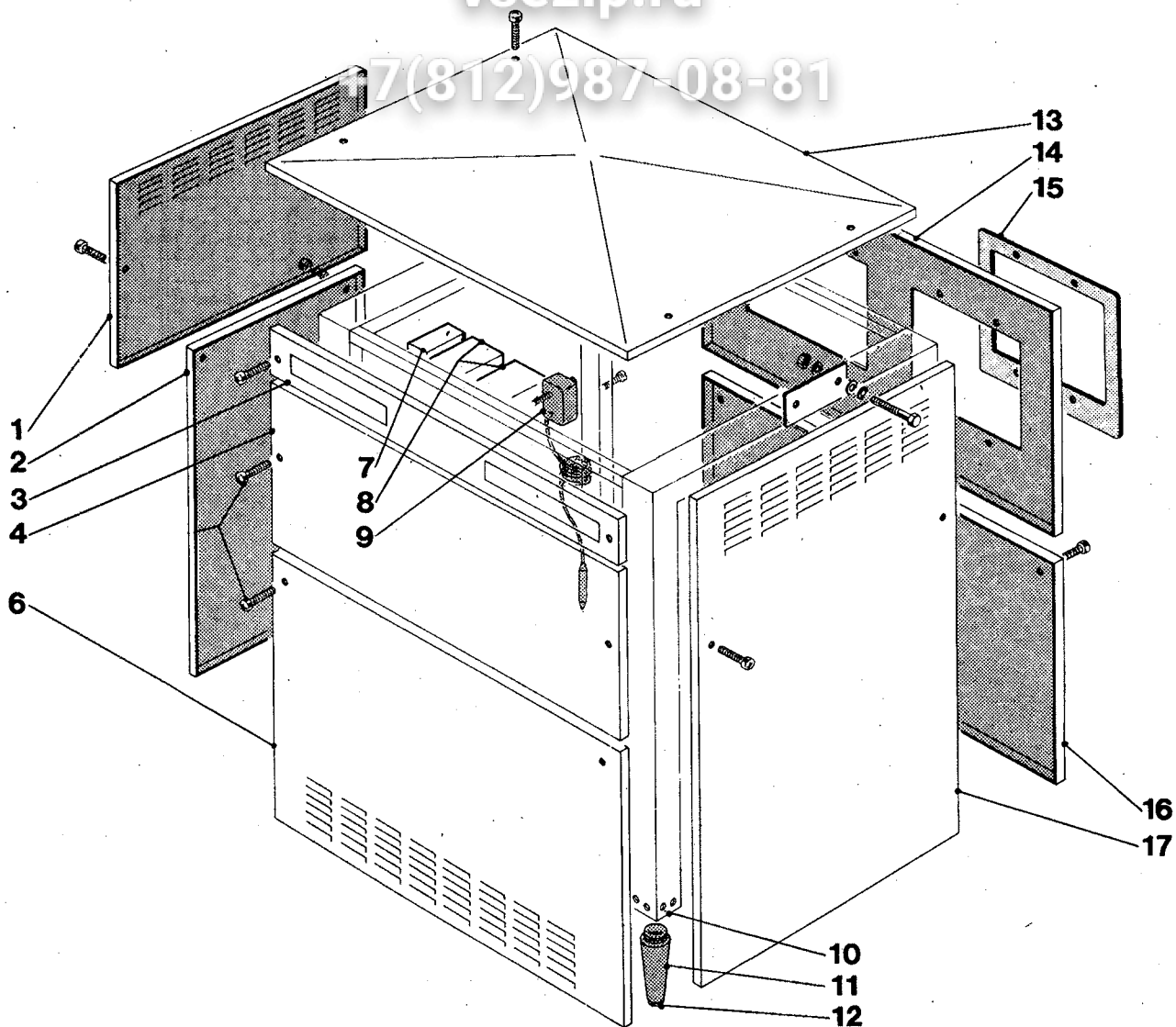
MF 102

**SPARE PARTS LIST
CATALOGO RICAMBI
CATALOGUE PIÈCES DÉTACHÉES
ERSATZTEILENKATALOG**

Зип Общепит

vsezip.ru

+7(812)987-08-81



Зип-Общепит
vsezip.ru
+7(812)987-08-81

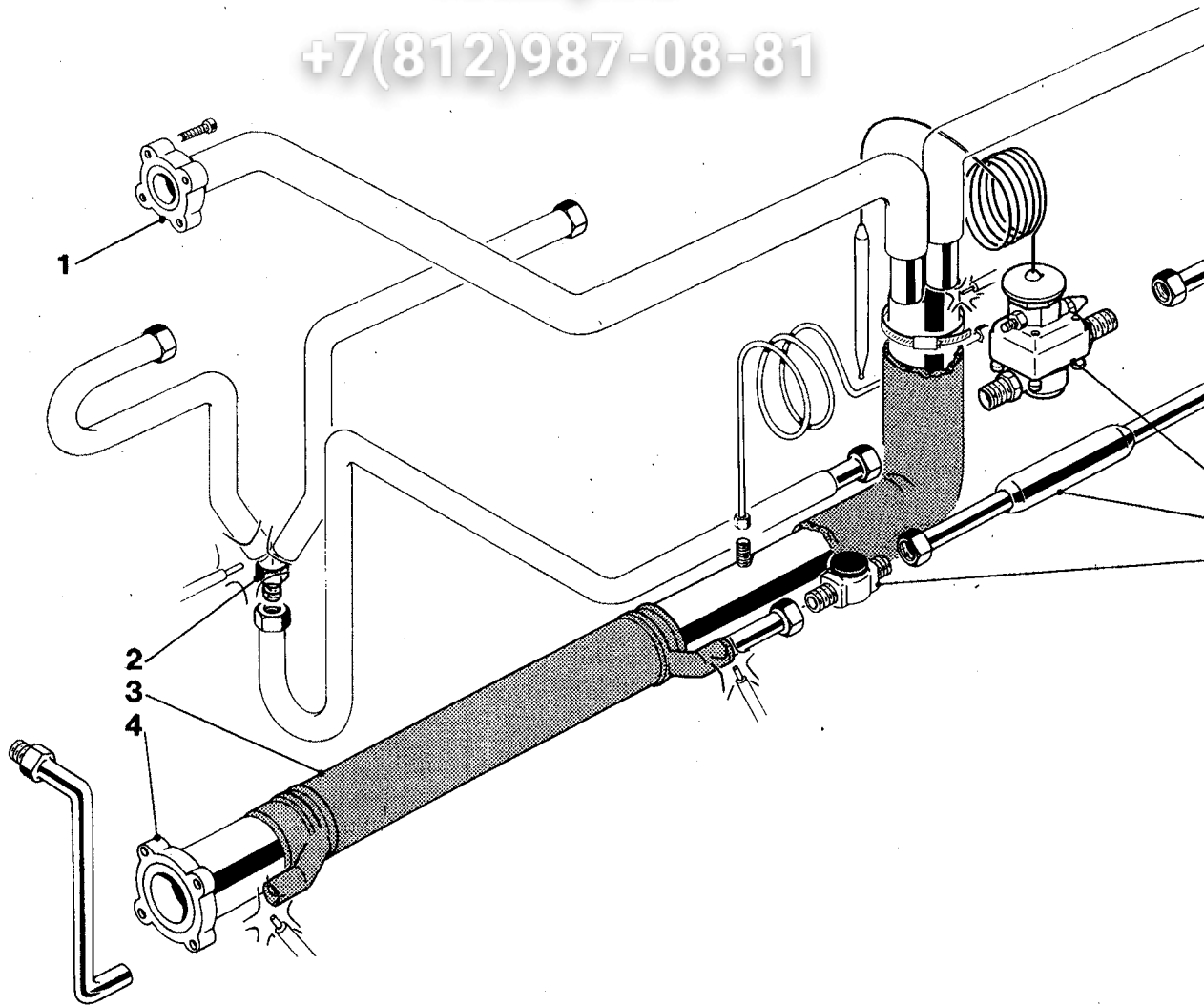
MF 102 - UNIT PANELS - ASSIEME MOBILE - ENS. CARROSSERIE - MACHINE GE

ITEM NO POS NO REP. NO REF. NO	PART NO CODICE REFERENCE STUECK NR	DESCRIPTION	DESCRIZIONE	DESIGNATION
1	701974 05	UPPER LEFT SIDE PANEL	PANNELLO SUPERIORE SX	PANNEAU SUP. GAUCHE
2	701975 05	LOWER LEFT SIDE PANEL	PANNELLO INFERIORE SX	PANNEAU INF. GAUCHE
3-4-6	70221200	FRONT PANEL	PANNELLO FRONTALE	PANNEAU FRONTAL
7	620241 00	WATER PRESSURE SWITCH	PRESSOSTATO ACQUA	PRESSOSTAT D'EAU
8	793126 14	WATER RESERVOIR ASSY	ASS. VASCHETTA GALLEGGIANTE	ENS. RÉSERVOIR
9	620263 03	ICE LEVEL CONTROL	CONTROLLO LIVELLO GHIACCIO	CONTROL DE NIVEAU GLACE
10	791050 05	UNIT FRAME ASSY	ASS. TELAIO	ENS. CHASSIS
11	751001 00	LEG	PIEDINO	PIED
12	400061 00	LEG LEVELLER	DADO DI REGOLAZIONE	VIS DE REGLAGE PIEDS
13	702081 01	TOP PANEL	PANNELLO SUPERIORE	PANNEAU DESSUS
14	721632 00	UPPER REAR SIDE PANEL	PANNELLO POSTERIORE SUPERIORE	PANNEAU ARRIERE SUP.
15	660504 01	SPOUT OPENING FRAME	CORNICE IN PLASTICA	ENCADREMENT
16	721651 00	LOWER REAR SIDE PANEL	PANNELLO POSTERIORE INFERIORE	PANNEAU ARRIERE INF.
13	701976 01	RIGHT SIDE PANEL	PANNELLO LATERALE DX	PANNEAU DROITE

Зип-Общепит

vsezip.ru

+7(812)987-08-81



Зип-Общепит

vsezip.ru

7(812)987-08-81

MF 102 - REFRIGERANT LINES - TUBAZIONI REFRIGERANTE - TUYAUTERIE REFRIG - KUHLE

ITEM NO POS NO REP. NO REF. NO	PART NO CODICE REFERENCE STUECK NR	DESCRIPTION	DESCRIZIONE	DESIGNATION
1	650521 02	FLANGE COUPLING	RACCORDO FLANGIATO	RACCORDEMENT A FLAQUE
2	650554 01	MULTIPLE INJECTOR	INIETTORE MULTIPLO	INJECTEUR MULTIPLE
3	620317 02	HEAT EXCHANGER	SCAMBIATORE DI CALORE	EXCHANGEUR DE CHALEUR
4	650521 01	FLANGE COUPLING	RACCORDO FLANGIATO	RACCORDEMENT A FLAQUE
5	620326 12	THERMOSTATIC EXP. VALVE	VALVOLA D'ESPANSIONE TERMOSTATICA	DETENDEUR THERMOSTATIQUE
6	630117 01	MECHANICAL FILTER	FILTRO MECCANICO	FILTRE MECHANIQUE
7	620324 02	SIGHT GLASS	SPIA DEL LIQUIDO	HUBLLOT INDICATEUR LIQUIDE

Зип-Общепит
vsezip.ru
7(812)987-08-81

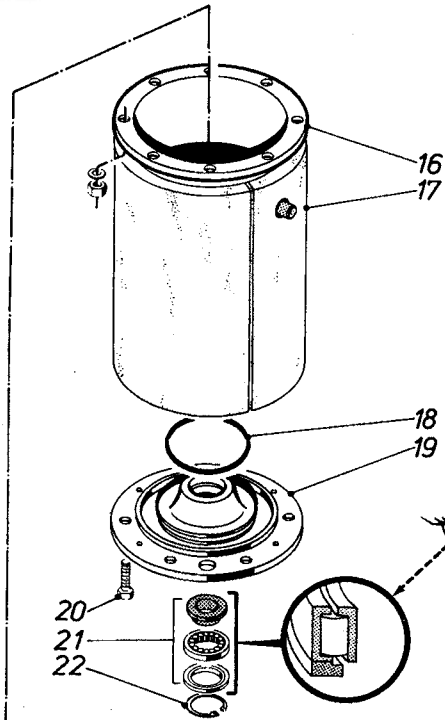
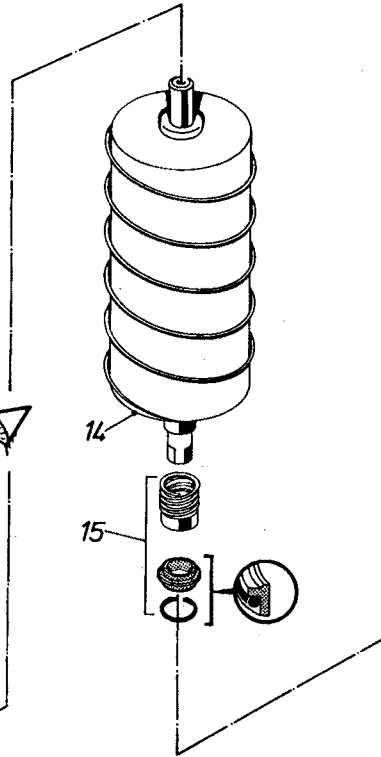
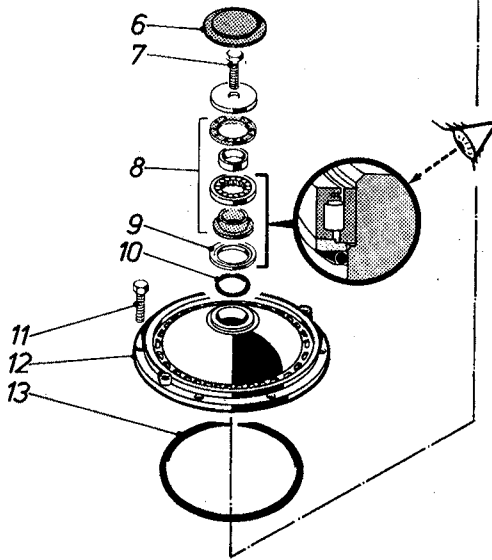
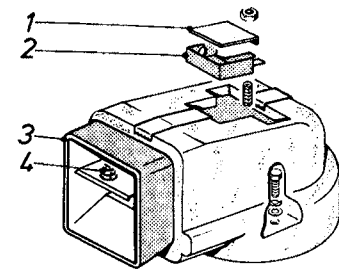
MF 102 - WATER SYSTEM - CIRCUITO IDRAULICO - CIRCUIT HYDRAULIQUE - WASS

ITEM NO POS NO REP. NO REF. NO	PART NO CODICE REFERENCE STUECK NR	DESCRIPTION	DESCRIZIONE	DESIGNATION
2	723130 01	RESERVOIR BRACKET	SUPPORTO VASCHETTA	SUPPORT RESERVOIR
3	610159 00	PLASTIC TUBE	TUBO IN PLASTICA	TUYAU EN PLASTIQUE
4	460037 00	CLAMP	FASCETTA	COLLIER
5	650104 00	STRAINER	FILTRO	FILTRE
6	400053 00	NUT	DADO	ECROU
7	400052 00	FIBER WASHER	RONDELLA IN FIBRA	RONDELLE EN FIBRE
8	733207 00	WATER INLET FITTING	RACCORDO INGRESSO ACQUA	RACCORD ARRIVÉE D'EAU
12	793126 14	WATER RESERVOIR ASSY	ASS. VASCETTA GALLEGGIANTE	ENS. RÉSERVOIR
13	660585 01	FLOAT VALVE ASSY	ASS. GALLEGGIANTE	ENS. VANNE A FLOTTEUR
14	783160 00	WATER RESERVOIR COVER	COPERCHIO VACHETTA	COUVERCLE
16	460037 04	CLAMP	FASCETTA	COLLIER
17	660224 00	WATER DRAIN FITTING	RACCORDO SCARICO ACQUA	RACCORD EVACUATION EAU
18	460036 00	CLAMP	FASCETTA	COLLIER
20	281900 03	PLASTIC TUBE - PER MTR	TUBO IN PLASTICA - PER METRO	TUYAU EN PLASTIQUE - POUR
21	460038 02	CLIP RING	ANELLO SEEGER	CIRCLIP
22	640100 00	O RING	GUARNIZIONE OR	JOINT TORIQUE
23	460022 00	CLAMP	FASCETTA	COLLIER
24	281830 00	WATER DRAIN HOSE - PER METER	TUBO SCARICO ACQUA - PER METRO	TUYAU D'ECOULEMENT EAU - PA
25	723107 01	NOZZLE	UGELLO	GICLEUR
26	460002 00	CLAMP	FASCETTA	COLLIER
27	784391 00	'T' FITTING	RACCORDO A 'T'	RACCORD A 'T'
28	460037 04	CLAMP	FASCETTA	COLLIER
29	281830 00	PLASTIC TUBE - PER MTR	TUBO IN PLASTICA - PER METRO	TUYAU EN PLASTIQUE - POUR
30	460037 04	CLAMP	FASCETTA	COLLIER
31	281830 00	PLASTIC TUBE - PER MTR	TUBO IN PLASTICA - PER METRO	TUYAU EN PLASTIQUE - POUR
32	460037 04	CLAMP	FASCETTA	COLLIER

Зип Общепит

vsezip.ru

+7(812)987-08-81



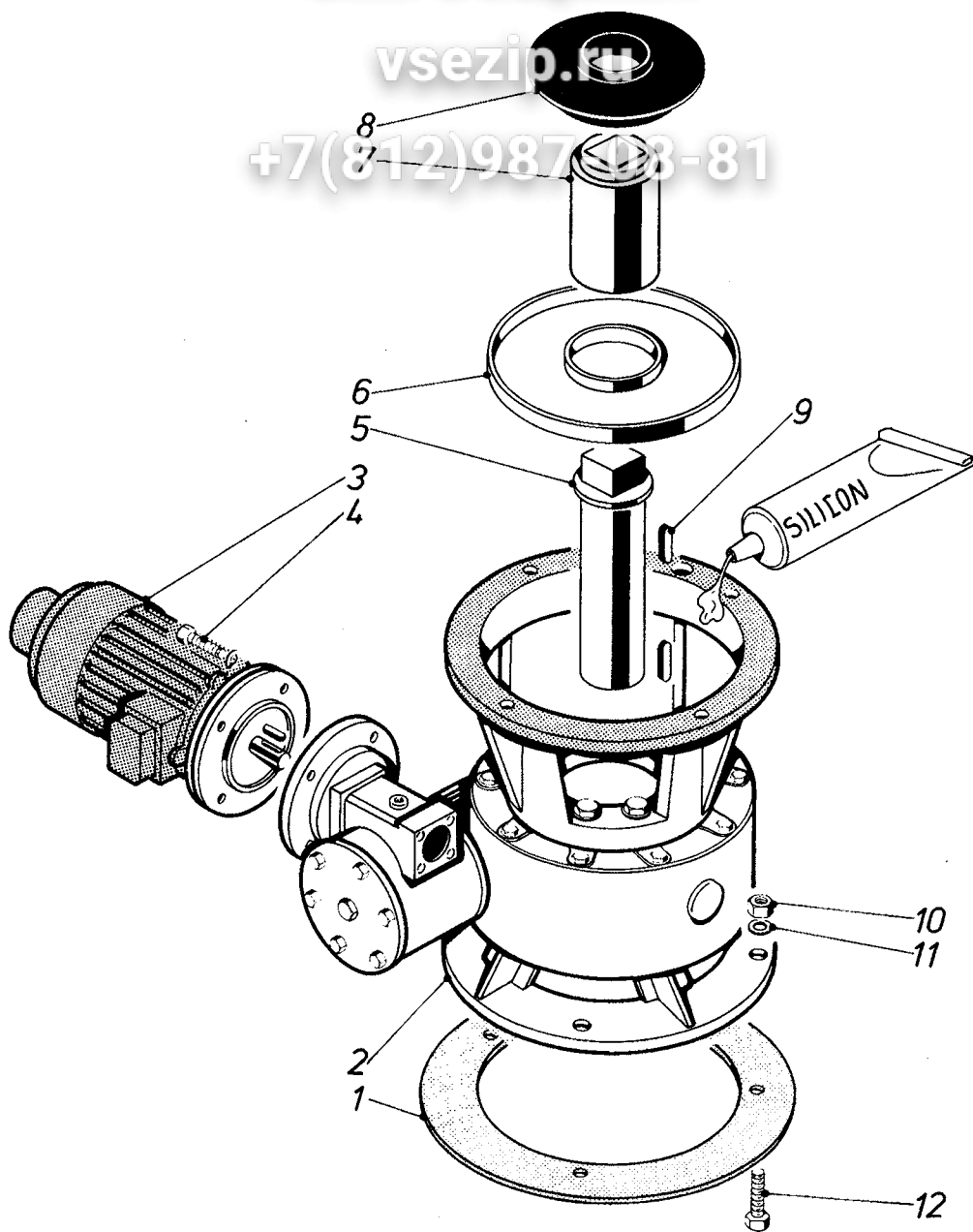
MF 102 - FREEZER ASSY - ASSIEME EVAPORATORE - ENSEMBLE EVAPORATEUR - GEFRIER

ITEM NO POS NO REP. NO REF. NO	PART NO CODICE REFERENCE STUECK NR	DESCRIPTION	DESCRIZIONE	DESIGNATION
1-2	724100 02 620396 00	SPOUT MICRO SWITCH BOX SPOUT SWITCH ONLY	ASS. SCATOLA INTERRUITTORE BOCCHETTA MICRO BOCCHETTA	BOITE MICROINTERRUPTEUR
3	794266 02	PLASTIC SPOUT	BOCCHETTA IN PLASTICA	GOULOTTE EN PLASTIQUE
4	784367 01	PRESSURE PLATE ASSY	ASS. PISTRINA DI PRESSIONE	PLAQUE DE PRESSION
6	660492 01	PLASTIC CUP	CALOTTA IN PLASTICA	CALOTTE
7	420002 18	SCREW	VITE	VIS
8	651062 01	TOP BEARING	CUSCINETTO SUPERIORE	PALIER SUPERIEUR
9	651010 00	BRASS RING	ANELLO DI OTTONE	ANNEAU EN LAITON
10	640041 16	O RING	GUARNIZIONE OR	JOINT TORIQUE
11	420002 21	SCREW	VITE	VIS
12	743140 02	ICE BREAKER	ROMPIGHIACCIO	BROYEUR
13	640041 14	O RING	GUARNIZIONE OR	JOINT TORIQUE
14	784352 05	AUGER	COCLEA	VIS SANS FIN
15	650525 00	WATER SEAL	ASSIEME PREMISTOPPA	GARNITURE D'ETANCHEITE
16	650672 01	WORM TUBE ONLY	TUBO EVAPORATORE	CYLINDRE EVAPORATEUR
17	650736 00	INSULATION	ISOLAMENTO	ISOLATION
18	640041 24	O RING	GUARNIZIONE OR	JOINT TORIQUE
19	743144 00	BEARING RETAINER	SUPPORTO CUSCINETTO	LOGEMENT PALIER
20	420002 16	SCREW	VITE	VIS
21	651062 00	LO BEARING	CUSCINETTO INFERIORE	PALIER INFERIEUR
22	460044 00	CLIP RING	ANELLO SEEGER	CIRCLIP
*	794293 00	FREEZER ASSY	ASSIEME EVAPORATORE	ENS. EVAPORATEUR

Зип Ощепит

vsezip.ru

+7(812)987138-81



MF 102 - GEAR MOTOR ASSY - ASSIEME MOTORIDUTTORE - ENSEMBLE MOTOREDUCTEUR - C

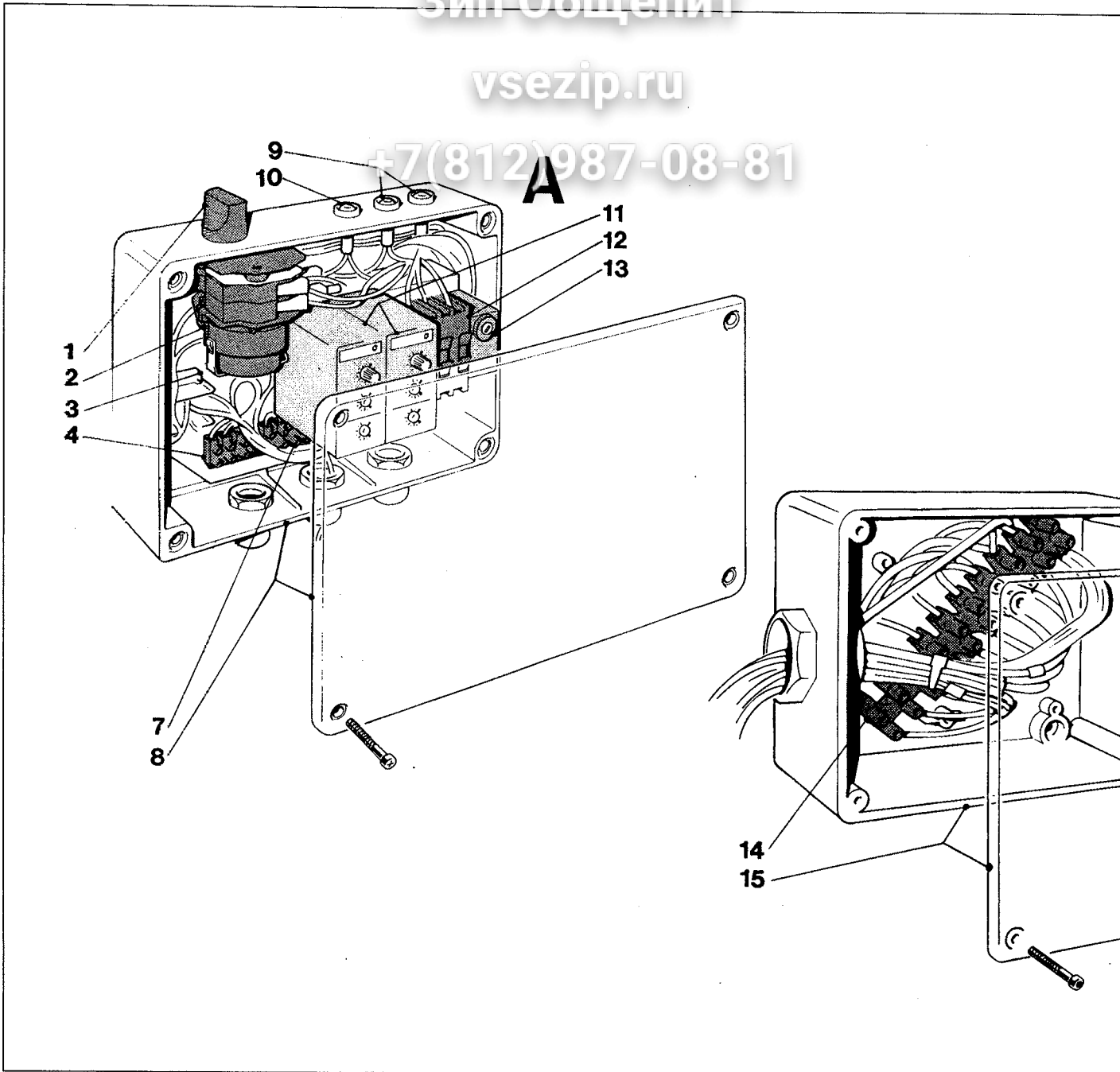
ITEM NO POS NO REP. NO REF. NO	PART NO CODICE REFERENCE STUECK NR	DESCRIPTION	DESCRIZIONE	DESIGNATION
1	650584 00	ABS GASKET	GUARNIZIONE IN ABS	JOINT EN ABS
2	620408 00	GEAR REDUCER ASSY	ASS. MOTORIDUTTORE	ENS .MOTOREDUCTEUR
3	620409 00	DRIVE MOTOR ASSY	MOTORE RIDUTTORE	MOTEUR DU REDUCTEUR
4	420019 00	SCREW	VITE	VIS
5	704255 01	SHAFT	ALBERO DI TRASMISSIONE	AXE DE TRASMISSION
6	660495 00	DRIP TRAY	VASSOIO RACCOGLIGOCCE	GOUELLE D'EAU
7	764014 00	COUPLING	GIUNTO	BAGUE D'ACCOUPLMENT C
8	640108 00	RUBBER PAN	CONVOGLIATORE	PARA GOUTTES
9	460043 00	KEY	CHIAVETTA	CLAVETTE
10	430001 07	NUT	DADO	ECROU
11	440015 07	WASHER	RONDELLA	RONDELLE
12	420002 19	SCREW	VITE	VIS

Зип-Общепит

vsezip.ru

+7(812)987-08-81

A



Зип-Общепит
vsezip.ru
7(812)987-0881

MF 102 - CONTROL BOX - ASSIEME SCATOLA ELETTRICA - ENSEMBLE BOITIER ELECTRIQUE

ITEM NO POS NO REP. NO REF. NO	PART NO CODICE REFERENCE STUECK NR	DESCRIPTION	DESCRIZIONE	DESIGNATION
1	745008 00	TIMER CONTROL BOX	MANOCLA-TIMER	BOUTON TEMPORISATEUR
2	620328 01	TIMER	TEMPORIZZATORE	PROGRAMMETEUR DE FONC
3	630114 00	TERMINAL BOARD	MORSETTIERA	BORNIER
4	630083 07	TERMINAL BOARD	MORSETTIERA	BORNIER
7	630083 06	TERMINAL BOARD	MORSETTIERA	BORNIER
8	745004 06	BOX WITH COVER	SCATOLA CON COPERCHIO	BOITE AVEC COUVERCLE
9	630091 09	GREEN LIGHT	LUCE SPIA VERDE	VOYANT LUMINEUX VERT
10	630091 08	RED LIGHT	LUCE SPIA ROSSA	VOYANT LUMINEUX ROUGE
11	620391 00	CURRENT RELAY	RELE' AMPEROMETRICO	RELAY AMPEROMETRIQUE
12	630124 00	CONTACTOR	TELERUTTORE	CONTACTEUR
13	620445 00	TIME DELAY	RITARDATORE	TEMPORISATEUR DE SECURI
14	745004 06	BOX WITH COVER	SCATOLA CON COPERCHIO	BOITE AVEC COUVERCLE
15	630083 06	TERMINAL BOARD	MORSETTIERA	BORNIER