

MOD: XV593

Pagina 1

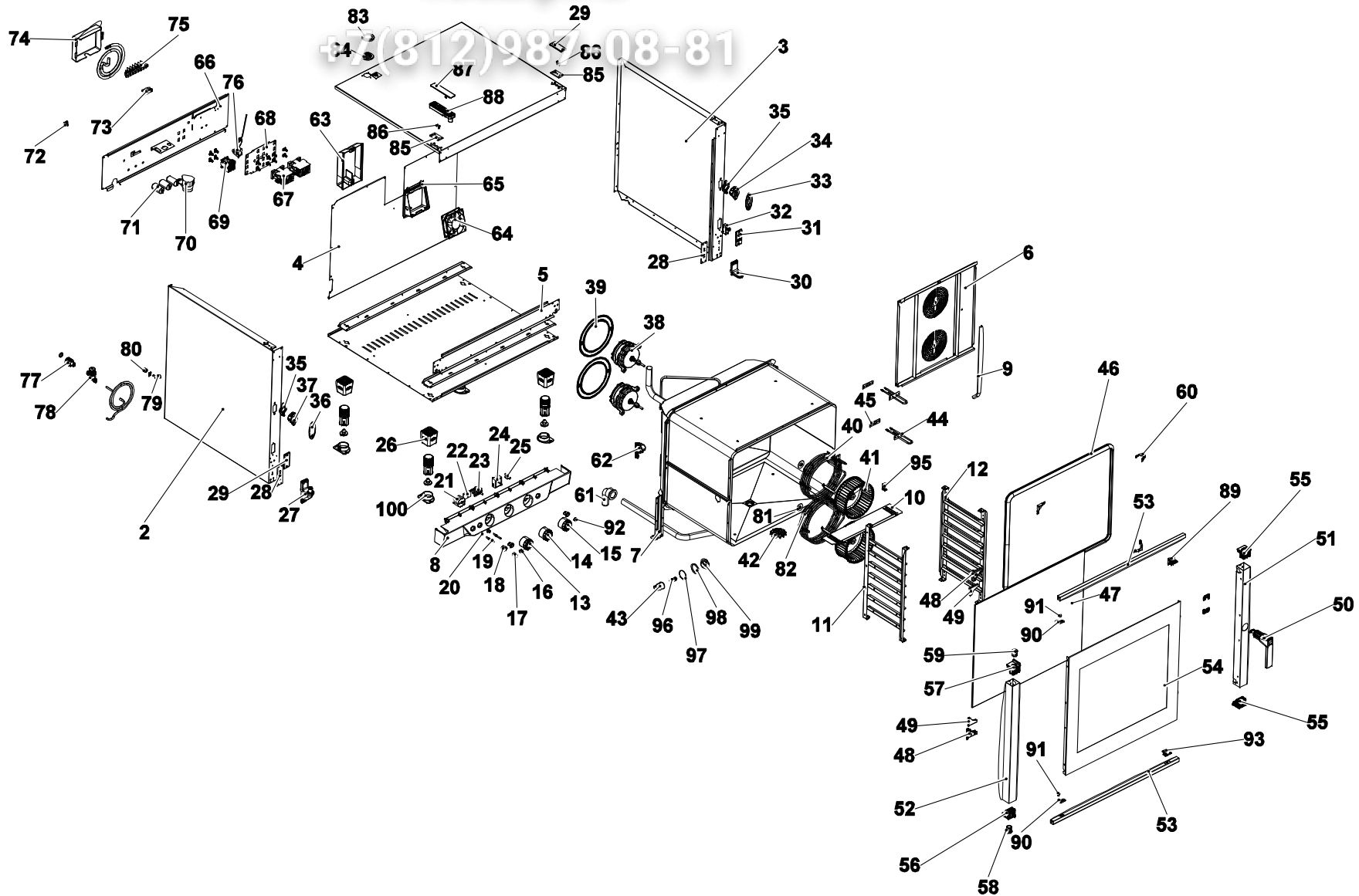
Зип Общепит

EXPLODED VIEW DISEGNO ESPLOSO



vsezip.ru

+7(812)98708-81





DESCRIZIONE CODICI

2	OD2132AO	FIANCO SX XB69- XV59-
3	OD2133AO	FIANCO DX MANUAL XB693 XB593
4	OF1428AO	SCHIENA ZINCATA XB69- XV59-
5	OH6240AO	LAMIERA CRUSCOTTO BAKERLUX CHEFLUX
6	OG1474AO	CARTER PUNTATO XB69- XV59-
7	OH6334AO	STAFFA SOSTEGNO MUFFOLA BL CL
8	VM1972AO	CRUSCOTTO BAKERLUX/CHEFLUX MECCANICO
9	TB2215AO	TUBO INTERNO UMIDITA' XB69- XV59- Ø16x1
10	OG1476AO	DISTANZIALE CARTER BL CL
11	GRL1292AO	SUPPORTO LAT. SX 7 GNI/1
12	GRL1225AO	SUPPORTO LATERALE DX INOX 7TG GNI/1
13	MN1111AO	MANOPOLA TERMOSTATO CHEFLUX BAKERLUX
14	MN1112AO	MANOPOLA TIMER CHEFLUX BAKERLUX
15	MN1113AO	MANOPOLA UMIDITA CHEFLUX BAKERLUX
16	VE1530AO	GEMMA ELLITTICA AZZURRA TERMOMETRO ORO
17	VE1585AO	GEMMA ELLITTICA AZZURRA SINUSOIDE ORO
18	VE1170AO	SUPPORTO D16 ELLITTICO NICHEL OPACO
19	VE1535AO	LED BIANCO 230V
20	VM1762AO	SUPPORTO LAMPADA INTERNO
21	TM1005AO	TIMER MI2 60 MIN 230V 16A
22	TM1001C1	SUONERIA ELETTRONICA 15 SEC 120V
23	TR1100AO	TERMOSTATO REG. 269°C 55.19052.80
24	VE1556AO	REGOLATORE ENERGIA 240V
25	VE1562AO	PULSANTE UNIPOLARE NA
26	PD1060AO	PORTE FISSA PIEDE CT BT
27	VM1160BO	STAFFA INFERIORE PORTA CT BT
28	OH6333AO	CONTROSTAFFA PORTA FILETTATA BL CL
29	VM1195AO	PIASTRINA COPRIFORI XVC204/304/504/704
30	VM1160BO	STAFFA INFERIORE PORTA CT BT
31	VM1200AO	PIASTRINA SUPPORTO MICROPORTA MECCANICO
32	VE1295AO	MICROINTERRUTTORE PORTA MK 16A 230V UL
33	VM1460AO	COPERCHIO DX SCROCCO PORTA XBC/XVC
34	VM1190A2	SCROCCO MANIGLIA DX CT BT
35	VM1192A1	COPERCHIO SCROCCO MANIGLIA CT BT
36	VM1461AO	COPERCHIO SX SCROCCO PORTA XBC/XVC
37	VM1191A2	SCROCCO MANIGLIA SX CT BT
38	VNI130AO	MOTORE FORNO 330W 230V 50/60HZ
39	OH3586AO	LAMIERA PROTEZIONE MOTORE ZINCATO
40	RS1150AO	RESISTENZA CIRC. D=230 5 SPIRE
41	VNI030A4	VENTOLA D196 H81 39 PALE DADO M8
42	OH2551AO	TAPPO PER TUBO DI SCARICO LIQUIDI INOX C
43	VE1015A1	PORTA LAMPADA SERIE 2 PER LAMPADA
44	RS1261AO	RESISTENZA MOTORE BAKERLUX/CHEFLUX
45	GNI326AO	GUARNIZIONE RES. 70X22X0.8
46	GNI343BO	GNI1000B-GUARNIZIONE PORTA XBC804-805
47	VTI135AO	VETRO INTERNO 743X620X6 BETFL
48	VM1231AO	CERNIERA INF. ALLUMINIO VETRO
49	GNI180AO	GUARNIZIONE CERNIERE VETRO INT.
50	VM1180AO	IMPUGNATURA MANIGLIA XVC204/304/504/704

51	TB2209AO	COLONNINA DX BAKERLUX 6TG 50x50x1.2
52	TB2210AO	COLONNINA SX BAKERLUX 6TG 50x50x1.2
53	TB2218AO	LISTELLO INF. BL CL L= 854 20x20x1
54	V1255AO	ETICHETTA BRONZIO 165 X 55
55	V1196A1	AP. D. E. ETIC. COLONNINA PORTA CL BL
56	VM1978AO	TAPPO FULCRO INFERIORE PORTA CL BL
57	VM1977AO	TAPPO FULCRO SUPERIORE PORTA CL BL
58	VM1510AO	BOCCOLA SCANALATA PERNO PORTA XBC/XVC
59	VM1511AO	BOCCOLA USCIA PERNO PORTA CHEFFTOP
60	OH1450AO	ANGOLO FACCIATA MUFFOLA INOX XB-XV-XG
61	VM1260AO	CURVA A 90° RACCORDO SCARICO
62	EL1252AO	ELETTRIVALVOLA H2O 1 VIA RID. VERDE
63	VM1556AO	PROTEZIONE VENTOLA RAFFREDDAMENTO CT-BT
64	VNI120B1	VENTOLA RAFFREDDAMENTO 12V CABLATA
65	VM1555A1	SUPPORTO VENTOLA RAFFREDDAMENTO CT BT
66	OH6241AO	SUPPORTO COMPONENTI BL CL MANUAL
67	VE1095AO	TELERUTTORE GE 25A 230V 50/60
68	OH6361AO	LAMIERA FISSAGGIO TELERUTTORI
69	VE1115AO	MINICONTATTORE QUADRIPOLE 20 A 230 V
70	VE1555AO	INVERTITORE DI MARCIA
71	VE1110AO	CONDENSATORE 6,3 µF 450VAC 50/60Hz
72	VM1750AO	MORSETTIERA A PETTINE
73	VE1075AO	PRESSACAPO FV 268 RO+VITI FISSAGGIO
74	VM1310AO	SCATOLA COPRI MORSETTIERA XB/XV/XVC/XG
75	MR1004AO	MORSETT. 7FITV GV V0 VL CU 1+2+3/4+5+6
76	TR1136AO	TERMOSTATO SIC. UNIP. 330°C
77	RC1210A1	RACCORDO 3/4 VALVOLA DI NON RITORNO
78	EL1375AO	FILTRO ACQUA Ø8 MESH100
79	EL1195AO	RACCORDO A GOMITO CON J.GUEST
80	EL1185AO	RACCORDO A GOMITO J.GUEST Ø8 - Ø8
81	GNI140A1	GUARNIZIONE PORTAMOTORE STAMP.
82	OH4305A1	DISCO TENUTA ALBERO MOTORE INOX STP
83	OH3790AO	LAMIERA TENUTA CAMINO
84	GNI275AO	GUARNIZIONE CAMMINO SILICONE NERO XVC
85	OH2560AO	CONTROSTAFFA ZINCATA PORTA C.T.
86	VM1240AO	TAPPO NYLON SUPPORTO CONTROSTAFFA
87	VM1166AO	COPERCHIO STAFFA SUPERIORE PORTA
88	VM1165BO	STAFFA SUPERIORE PORTA CT BT
89	VM1897AO	FERMO SUPPORTO VETRO SUPERIORE
90	OH2650AO	CERNIERA INOX VETRO INTERNO XBC/XVC
91	TF1010AO	BOCCOLA TELON CERNIERA VETRO
92	VM2007AO	TASTO ARGENTO OPACO VELOCITA VENTOLA
93	VM1896AO	SUPPORTO VETRO INFERIORE
95	OH4820AO	STAFFA SOSTEGNO BULBO
96	VE1005A3	LAMPADA HALOPIN 25W
97	GNI055AO	OR 46x2 VMQ 70 ROSSO
98	GNI065A1	GUARNIZIONE PORTALAMPADA DE=53.2
99	VTI195AO	VETRO COPRILAMPADA BOROSILICATO TEMPRATO
100	PD1063AO	STAFFA BLOCCAGGIO PIEDE CT BT

MOD: XV593

Зип Общепит

Pagina 3

**EXPLODED VIEW
DISEGNO ESPLOSO**



vsezip.ru

+7(812)987-08-81

MOD: XV593

Зип Общепит

**EXPLODED VIEW
DISEGNO ESPLOSO****DESCRIPTION**

2	OD2132AO	XB69- XV59- LEFT SIDE EXTERNAL PANEL
3	OD2133AO	XB693 XB593 RIGHT SIDE EXTERNAL PANEL
4	OF1428AO	XB69- XV59- ZINCED PLATED BACK PANEL
5	OH6240AO	BAKERLUX CHEFLUX ST. STEEL CONTROL PANEL
6	OG1474AO	XB69- XV59- FAN GUARD
7	OH6334AO	BL CL COOKING CHAMBER HOLDING BRACKET
8	VM1972AO	BAKERLUX/CHEFLUX MANUAL CONTROL PANEL
9	TB2215AO	XB69- XV59- HUMIDITY INTERNAL PIPE Ø16x1
10	OG1476AO	BL CL FAN GUARD SPACER
11	GRL1292AO	7 GN1/1 LEFT LATERAL SUPPORT
12	GRL1225AO	7 GN1/1 ST. STEEL RIGHT LATERAL SUPPORT
13	MN1111AO	CHEFLUX BAKERLUX THERMOSTAT KNOB
14	MN1112AO	CHEFLUX BAKERLUX TIMER KNOB
15	MN1113AO	CHEFLUX BAKERLUX HUMIDITY CONTROL KNOB
16	VE1530AO	BLUE LIGHT COVER GOLD THERMOMETER
17	VE1585AO	BLUE LIGHT COVER GOLD SINUSOID
18	VE1170AO	OPAQUE NICKEL ELLIPTICAL SUPPORT D16
19	VE1535AO	WHITE LED 230V
20	VM1762AO	INNER LAMP SUPPORT
21	TM1005AO	TIMER M12 60 MIN 250V 16A
22	TM1001C1	ELECTRONIC BUZZER 15 SEC 120V
23	TR1100AO	269°C ADJUSTABLE THERMOSTAT 55.19052.80
24	VE1556AO	THERMAL SWITCH 240V
25	VE1562AO	UNIPOLAR NA PUSH BUTTON
26	PD1060AO	CT BT FOOT FIX COMPONENT
27	VM1160BO	CT BT DOOR LOWER BRACKET
28	OH6333AO	BL CL THREADED DOOR COUNTER BRACKET
29	VM1195AO	HOLES BLANKING PLATE XVC204/304/504/704
30	VM1160BO	CT BT DOOR LOWER BRACKET
31	VM1200AO	DOOR MECHANIC MICROSWITCH SUPPORT PLATE
32	VE1295AO	DOOR MICROSWITCH MK 16A 230V UL
33	VM1460AO	XBC/XVC RIGHT DOOR LATCH CAP
34	VM1190A2	CT BT RIGHT DOOR SPRING LATCH
35	VM1192A1	CT BT RIGHT DOOR SPRING LATCH COVER
36	VM1461AO	XBC/XVC LEFT DOOR LATCH CAP
37	VM1191A2	CT BT LEFT DOOR SPRING LATCH
38	VN1130AO	330W 230V 50/60HZ MOTOR
39	OH3586AO	ZINCATE MOTOR GUARD PLATE XBC-XVC
40	RS1150AO	CIRC. HEAT. ELEMENT D=230 5 TURNS
41	VN1030A4	MOTOR FAN D196 H81 39 BLADE NUT M8
42	OH2551AO	XBC/XVC ST. STEEL DRAIN COVER
43	VE1015A1	LAMP HOLDER SERIE 2 FOR HALOGEN LAMP
44	RS1261AO	BAKERLUX/CHEFLUX HEATING ELEMENT
45	GN1326AO	ELEMENT SEALING 70x22x0.8
46	GN1343BO	GN1000B-GUARNIZIONE PORTA XBC804-805
47	VT1135AO	INTERNAL GLASS 743x620x6 XBC604
48	VM1231AO	LOWER ALUMINIUM HINGE FOR INTERNAL
49	GN1180AO	INTERNAL GLASS HINGE CARBOGRAPHITE
50	VM1180AO	HANDLE HAFT XVC204/304/504/704

51	TB2209AO	XV593/1657/36515161 FOX DOOR COLUMN
52	TB2210AO	XV593/XB693/XB695 LEFT DOOR COLUMN
53	TB2218AO	BL CL LOWER LISTEL L= 854 20x20x1
54	VT1255AO	XB69- XV59- EXTERNAL GLASS
55	VM1976AO	CL BL DOOR COLUMN SILICUM-CAP
56	VM1978AO	CL BL DOOR LOWER FULCRUM-CAP
57	VM1977AO	CL BL DOOR UPPER FULCRUM-CAP
58	VM1510AO	XBC/XVC GROOVED DOOR PIN BUSHING
59	VM1511AO	XBC/XVC SLEEK DOOR PIN BUSHING
60	OH1450AO	XB-XV-XG ST. STEEL MUFFLE FRONT CORNER
61	VM1260AO	90°C CURVED DRAIN PIPE
62	EL1252AO	ONE INLET WATER VALVE J.G. CONN.
63	VM1556AO	XBC-XVC COOLING FAN GUARD
64	VN1120B1	12V COOLING DOWN FAN
65	VM1555A1	CT BT COOLING DOWN FAN SUPPORT
66	OH6241AO	BL CL MANUAL COMPONENTS HOLDER
67	VE1095AO	REMOTE CONTROL SWITCH GE 25A 230V
68	OH6361AO	REMOTE CONTROL SWITCH FIXING PANEL
69	VE1115AO	MINICONTACTOR WITH 4 POLES 20 A 230 V
70	VE1555AO	REVERS SWITCH MOTOR P19.5J.02.H6.17
71	VE1110AO	CONDENSER 6,3 µF 450VAC 50/60Hz
72	VM1750AO	TERMINAL BOARD
73	VE1075AO	CABLE PRESS FV 268 RO
74	VM1310AO	COVER FOR TERMINAL BOX XB/XV/XVC/XG
75	MR1004AO	TERMINAL 7FTW GV V0 VL CU 1+2+3/4+5+6
76	TR1136AO	SAFETY THERMOSTAT UNIP. 330°C
77	RC1210A1	3/4 FEM. UNION +FILTER + NONRETURN VALVE
78	EL1375AO	Ø8 MESH100 WATER FILTER
79	EL1195AO	ELBOW UNION WITH J.GUEST TERMINAL
80	EL1185AO	ELBOW CONNECTION J. GUEST Ø8 - Ø8
81	GN1140A1	MOLDED MOTOR SUPPORT GASKET
82	OH4305A1	ST. STEEL MOTOR SHAFT SEALING DISC
83	OH3790AO	CHIMNEY HOLDING PLATE
84	GN1275AO	BLACK SILICON XBC/XVC CHIMNEY SEALING
85	OH2560AO	XBC/XVC ZINC PLAT. DOOR COUNTERBRACKET
86	VM1240AO	NYLON SUPPORT CAP
87	VM1166AO	CAP FOR DOOR UPPER STIRRUP XVC204/304/5
88	VM1165BO	CT BT DOOR UPPER BRACHET
89	VM1897AO	UPPER GLASS SUPPORT BACKSTOP
90	OH2650AO	XBC/XVC ST. STEEL INTERNAL GLASS HINGE
91	TF1010AO	TEFLON BUSHING FOR INTERNAL GLASS
92	VM2007AO	FAN SPEED SILVER BUTTON
93	VM1896AO	LOWER GLASS SUPPORT
95	OH4820AO	BULB HOLDING BRACKET
96	VE1005A3	HALOGEN LAMP 33W ENERGY SAVER
97	GN1055AO	OR 46x2 VMQ 70 RED
98	GN1065A1	SEAL FOR LAMP GLASS COVER IPURE
99	VT1195AO	BOROSILICATE LIGHT BULB GLASS COVER
100	PD1063AO	CT BT FOOT BLOCKING BRACKET

MOD: XV593

Зип Общепит

Pagina 5

**EXPLODED VIEW
DISEGNO ESPLOSO**



vsezip.ru

+7(812)987-08-81