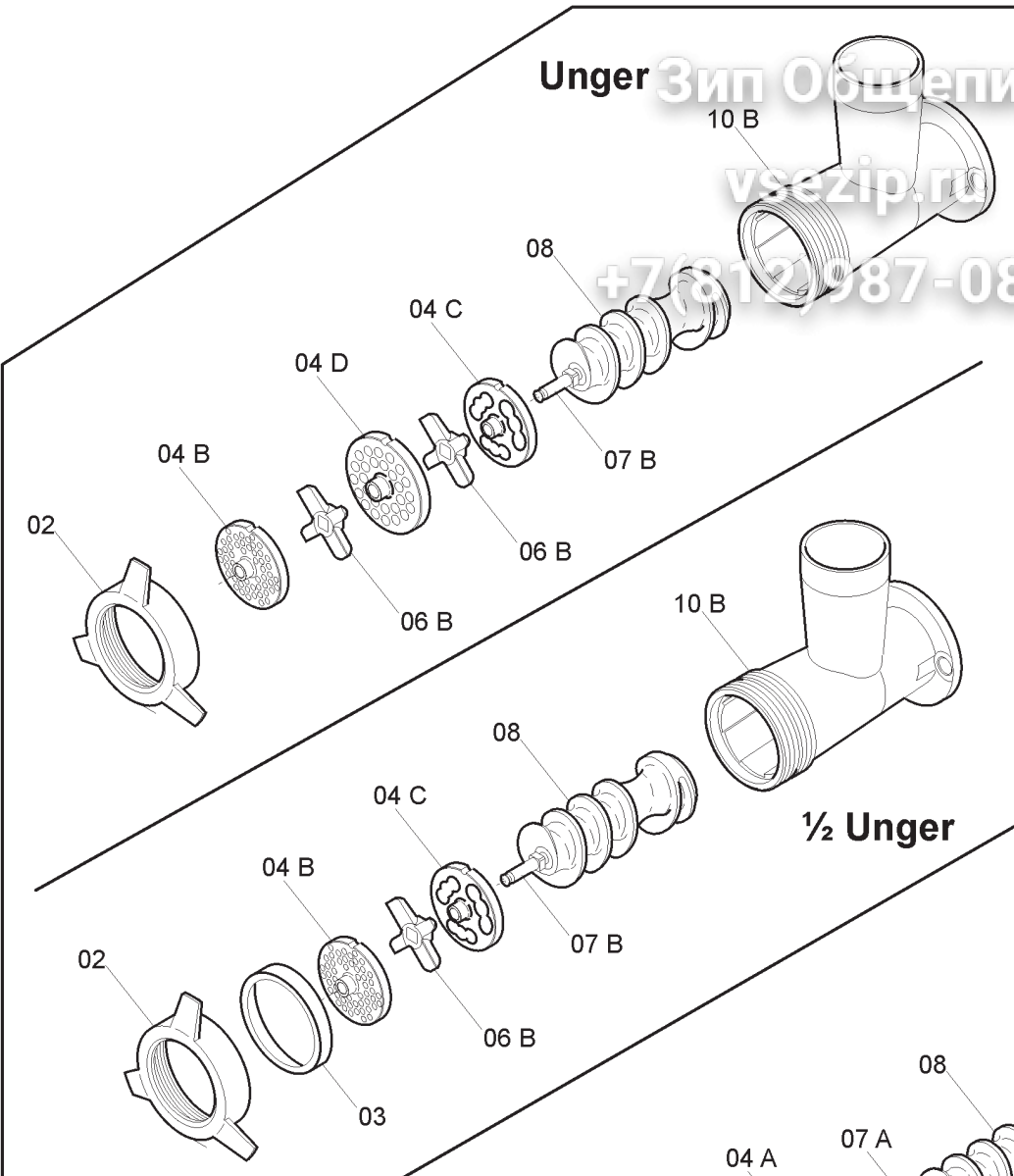


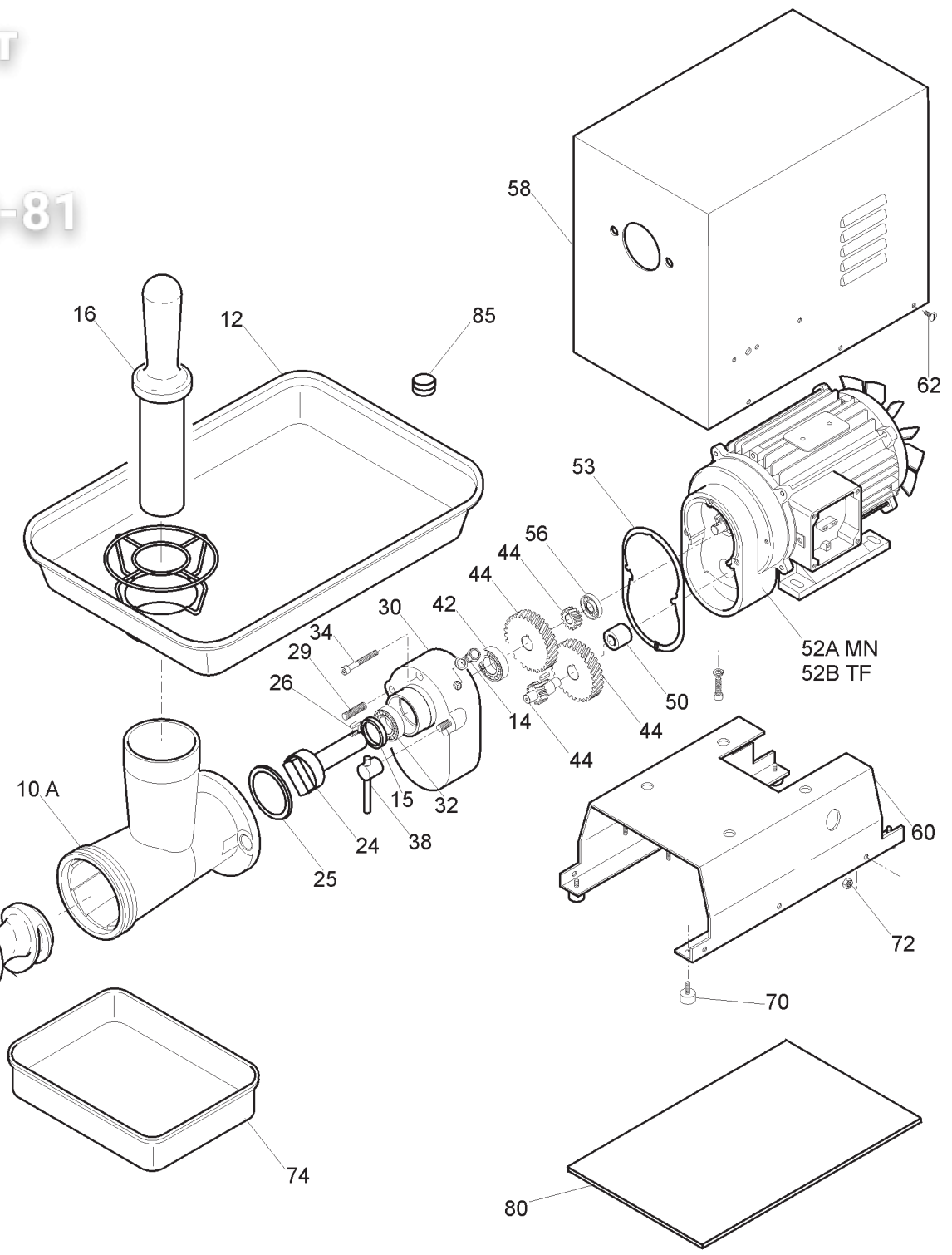
Unger Зип Общепит

vsezip.ru

+7(812)987-08-81



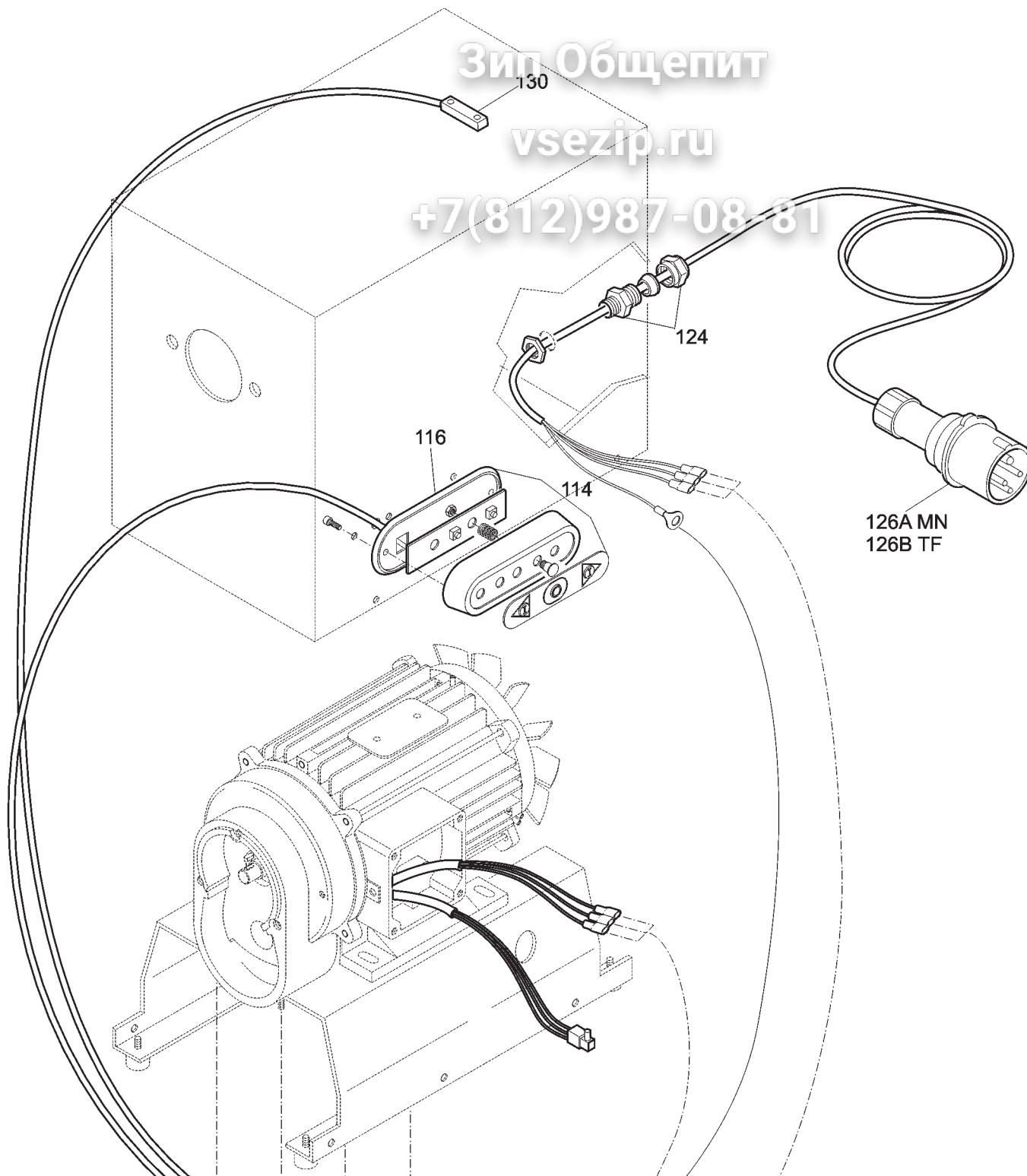
1/2 Unger



Зип-Общепит

vsezip.ru

+7(812)987-08-81



# Зип Общепит

Tabelle1

|      |                                     |            |
|------|-------------------------------------|------------|
| 02   | S/S RING FOR MINCER TC 32           | LF2033103  |
| 03   | SPACER FOR 1/2 UNGER HEAD TC32      | LF15332DDX |
| 07 A | WORM PIN FOR MINCER TC 32           | LF2033013  |
| 07 B | UNGER WORM PIN FOR TC 32            | LF2033202  |
| 08   | SCHNECKE TC 32                      | LF2032912  |
| 10 A | S/S OPENING TC 32 DLLS/CHCG         | LF2032901  |
| 10 B | S/S HEAD UNGER for TC 32            | LF2032903  |
| 12   | TRICHTER TC 32 PX QUADRO CE         | LF2032715  |
| 15   | DICTUNGSRING                        | LF1232611  |
| 16   | PUSHER SQUARE L.180 D.48 FOR TC 22  | LF2035862  |
| 24   | S/S SHAFT FOR TC32                  | LF2032621  |
| 25   | DICHTUNGSRING HALS TC 22-32         | LF1232608  |
| 30   | GEAR BOX COVER                      | LF2032630  |
| 32   | BALL BEARING 7204-B                 | LF1133001  |
| 38   | NUT SPEC.M10 IX TC22-32             | LF2032609  |
| 42   | BALL BEARING 6004 Z                 | LF1132001  |
| 44   | GEAR SET FOR MINCER TC 22-32        | LF2032608  |
| 50   | BRONZE BUSH TC 32                   | LF2033007  |
| 52A  | MOTORE TC/32P 230/50 Hz GREZZO 2 HP | LF18G32902 |
| 52B  | MOTORE TC/32CH 400/50HZ GREZZO 2.7  | LF18G32901 |
| 53   | GASKET FOR MINCER TC22-32           | LF1232605  |
| 56   | RING 1530-7                         | LF1260001  |
| 58   | STAINLESS STEEL BODY TC22-32        | LF2032710  |
| 60   | BASE - INOX TC22/32                 | LF2032702  |
| 80   | BASE COVER TC22-32                  | LF2032703  |
| 85   | MAGNET M634                         | LF1039710  |
| 114  | SCHALTERPANEL TAGLIORETTI           | LF1033021  |
| 118  | ROTARY SWITCH FOR TC/IP             | LF1033001  |
| 120  | ELEKTRONISCHE KARTE TAGLIORETT      | LF1033020  |
| 126A | CEE PLUG 2P+T                       | LF1010015  |
| 126B | PLUG CEE 3P + T                     | LF1010014  |
| 130  | MAGNETIC CONTACTOR                  | LF1010005  |