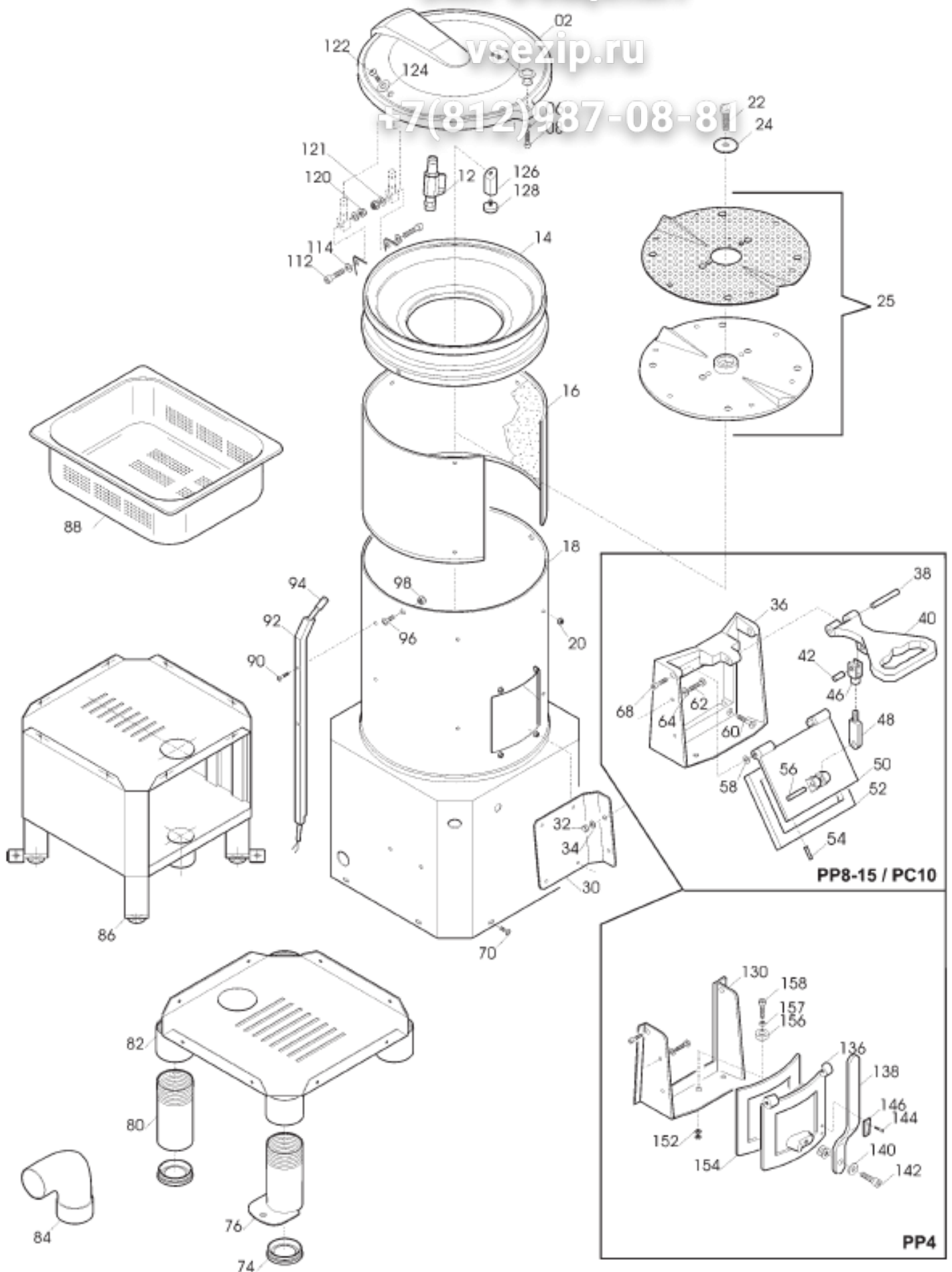


Зип Общепит

vsezip.ru

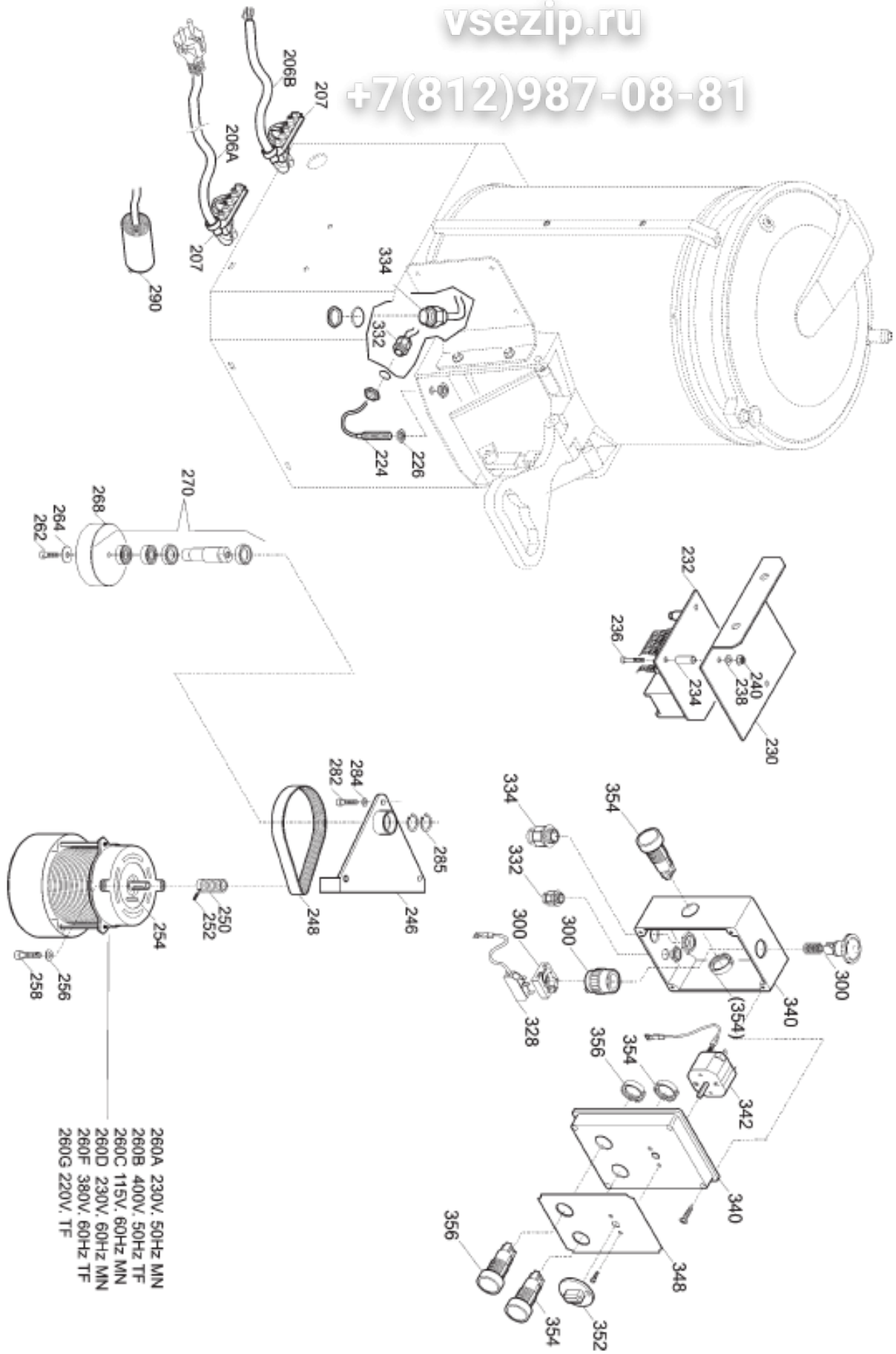
+7(812)987-08-81



Зип Общепит

vsezip.ru

+7(812)987-08-81



PP 8 EXPO CE TAV. 1/2		
Ref.	Produktname	Artikel-Nr
2	DECKEL FUER KARTOFFELSCHALMASCH.	RG04002
4	KNOB FOR COVER_ POTATO PEELER PP EX	RG04004
8	FIXING SCREW FOR KNOB_P.PEELER EXPO	RG04008
12	FAUCET FOR POTATO PEELER EXPO	RG04012
14	RING - COVER POTATO PEELER PP8	RG08014
16	SIDE ABRASIVE PP 8 EXPO	RG08016
18	CARCASSA ACCIAIO INOX PLP EX 8	RG08018
20	NUT FOR POTATO PEELER EXPO	RG04020
22	FIXING SCREW FOR PP EXPO	RG04022
24	WASHER FOR PP EXPO	RG04024
25	PEELING DISC FOR PP 4/8 EXPO	RG04025
30	CONTROLS SUPPORT _ PP EXPO	RG04030
32	DADO PLP EX	RG04032
34	RONDELLA PLP EX	RG04034
36	OUTLET _ PP 8 EXPO	RG08036
38	HANDLE SHAFT _ PP 8-15 EXPO	RG08038
40	LEVER _ PP 8-15 EXPO	RG08040
42	SHAFT _ PP EXPO	RG08042
46	U PLATE FOR PP EXPO	RG08046
48	FLAT PLATE _ PP EXPO	RG08048
50	DOOR _ PP 8-15 EXPO	RG08050
52	DOOR GASKET _ PP 8 EXPO	RG08052
54	MAGNETIC SENSOR _ PP 8-15 EXPO	RG08054
56	SHAFT FOR PP EXPO	RG08056
58	WASHER	RG04058
60	SCREW	RG08060
62	SCREW	RG04062
64	WASHER	RG04064
68	SCREW	RG08068
70	SCREW	RG04070
74	FOOT BASE - PP4/PP8	RG04074
76	PIEDINI CON ALETTA PLP EX 4/8	RG04076
80	PIEDINI PLP EX 4/8	RG04080
82	FONDO PLP EX 4/8	RG04082
84	DRAIN PIPE FOR POTATO PEELER EXPO	RG04084
90	SCREW	RG04090
92	FASCIA LATERALE PLP EX 8	RG08092
94	MICROSWITCH FOR PP EXPO	RG04094
96	SCREW	RG04096
98	NUT	RG04098
112	FIXING SCREW FOR COVER_P.PEELER EXP	RG04112
114	FIX.WASHER FOR COVER_P.PEELER EXPO	RG04114
120	FIXING NUT FOR HINGE_P.PEELER EXPO	RG04120
122	FIXING SCREW FOR MAGNET_P.PEELER EX	RG04122
124	FIX.WASHER FOR MAGNET_P.PEELER EXPO	RG04124

126	MAGNET-HOLDER FOR POTATO PEELER EX	RG04126	
128	MAGNETE X BOCCA ATHOS	IV5823050	
Зип Общелит			
PP 8 EXPO CE TAV. 2/2			
Ref.	Produktname	Artikel-Nr	
206A	1-PH POWER CORD FOR P.PEELER EXPO	RG04206A	
206B	CAVO ALIMENTAZIONE TF PLP EX	RG04206B	
207	MORSETTIERA CORTA PLP EX	RG04207	
224	MAGNETIC MICROSHALTER PPEXPO	RG04224	
226	NUT FOR MICROSWITCH	RG04226	
230	SUPPORTO SCHEDA COMANDO PLP EX	RG04230	
232	CIRCUIT BOARD 220/50 _ PP4-8-15 EXP	RG04232	
234	SPACER PP 4-8-15 EXPO	RG04234	
236	FIXING SCREW PP 4-8-15 EXPO	RG04236	
238	RONDELLA PLP EX	RG04238	
240	DADO PLP EX	RG04240	
246	MOTOR SUPPORT FOR PP 8 EXPO	RG08246	
248	RIEMEN FUER KARTOFFELSCHALER	RG08248	
250	PULLEY_SMALL PP 8 EXPO	RG08250	
252	PULLEY INSERT PP 8 EXPO	RG08252	
254	MOTOR INSERT PP 8 EXPO	RG08254	
256	WASHER FOR PP 4-8 EXPO	RG04256	
258	SCREW FOR PP 4-8 EXPO	RG04258	
260C	MOTORE MN 115V/60 HZ PLP EX 8	RG08260C	
260A	MOTOR 230/50/1 FOR PP 8 EXPO	RG08260A	
260D	MOTOR 230/60/1 FOR PP8	RG08260D	
260G	MOTORE TF 220 PLP EX 8	RG08260G	
260F	MOTORE TF 380V/60 HZ PLP EX 8	RG08260F	
260B	MOTOR 400V/50 HZ FOR PP 8 EXPO	RG08260B	
262	SCREW FOR PP 8 EXPO	RG08262	
264	WASHER FOR PP 8 EXPO	RG08264	
268	PULLEY FOR PP 8 EXPO	RG08268	
270	MITNEHMER SCHLEIFSCHIEBE PP8-15EX	RG08270	
282	VITE PLP EX 8	RG08282	
284	RONDELLA PLP EX 8	RG08284	
285	INNEURING FUER AUFSCH.	19330301	
290	KONDENSATOR PP8-15EXPO	RG08290	
300	EMERGENCY BUTTON FOR POTATO PEELER	RG04300	
328	EMERGENCY BUTTON CONTACT P/PEELER	RG04328	
332	STRAIN RELIEF FOR POTATO PEELER	RG04332	
334	STRAIN RELIEF FOR POTATO PEELER	RG04334	
340	PCB BOX FOR POTATO PEELER	RG04340	
342	TIMER+KNOB FOR PP EXPO	RG04342	
348	BUTTON TIMER FOR POTATO PEELER	RG04348	
352	TIMERGRIFF PP EXPO	RG04352	
354	ROT KNOPF PP EXPO	RG04354	
356	GRUN KNOB PP EXPO	RG04356	