



GB 1540

Зип Общепит

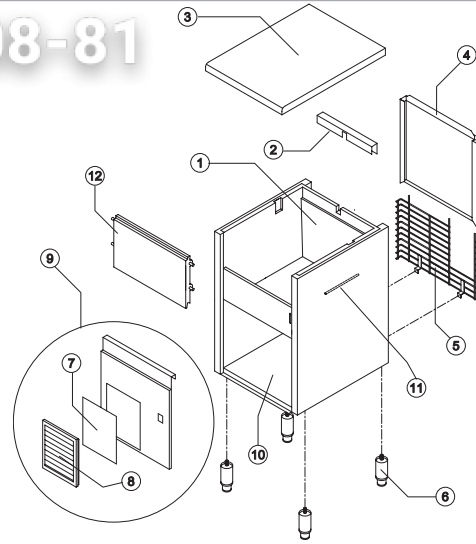
vsezip.ru

LIST OF THE EXPLODED VIEWS

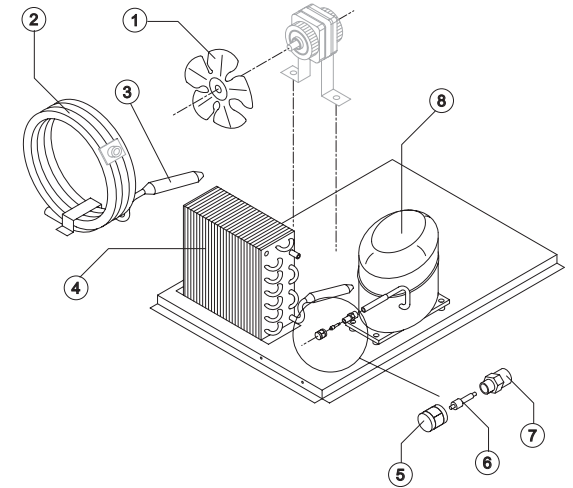
+7(812)987-08-81



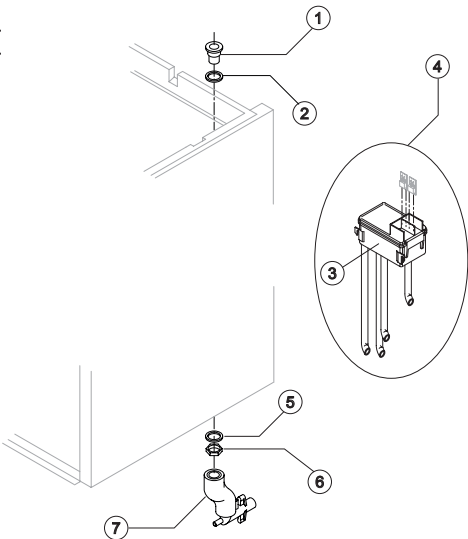
SHELL ASSY



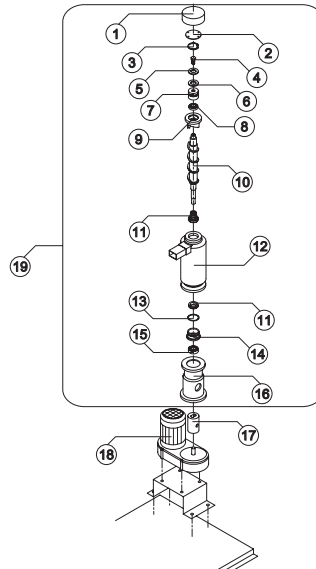
COOLING SYSTEM



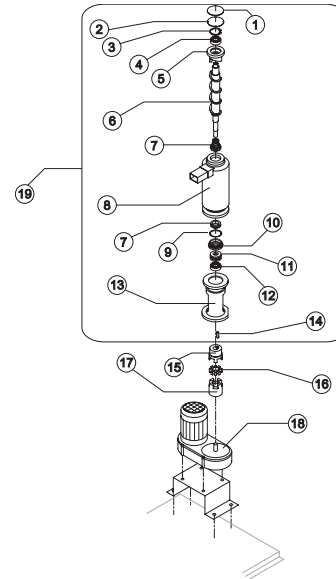
HYDRAULIC CIRCUIT



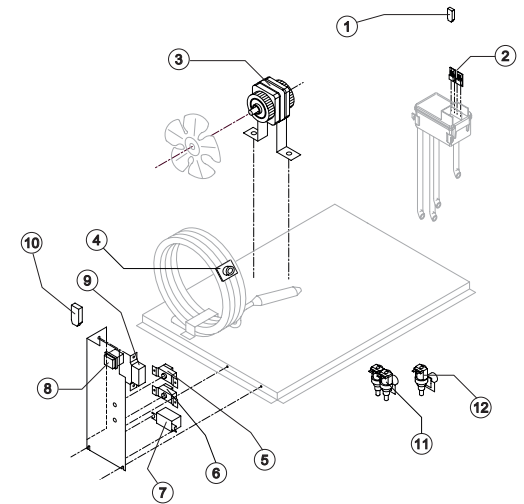
EVAPORATOR (From s/n.157641 up Today)



EVAPORATOR (Till s/n. 157640)



ELECTRIC PARTS



Rev. 1 - 12/6/2002



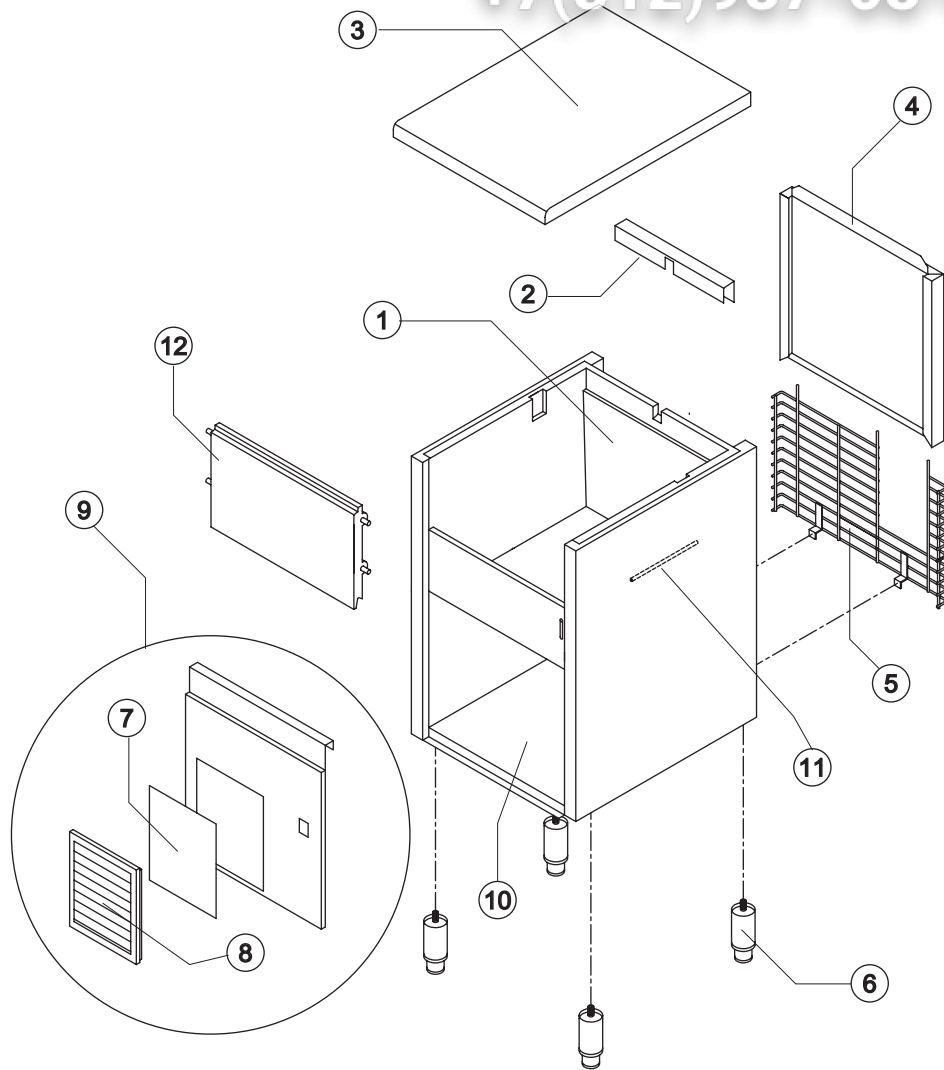
GB 1540

Зип Общепит

vsezip.ru

SHELL ASSY

+7(812)987-08-81



Ref.	Spare Description	Code	
1	Foamed Cabinet Assy	C11097/E	
2	Cover for Ice Exit Passage	22592	
3	Top Assembly	C22690	
4	Back Panel Assembly	C22226	
5	Rear Grid	D12020	
6	Stainless Steel Foot Adjustable	Current Version	20613
6	ABS Foot	Till s/n. 142485	10040
7	Filtering Panel		18106
8	Grid with Frame		C10205
9	Front Grid Panel		C22509
10	Base Plate	Current Version	21284
10	Base Plate	Till s/n. 142485	C21044
11	Bulbe Thermostat Tube	Current Version	20522
11	Bulbe Thermostat Tube	Till s/n. 95342	20017
12	Door Assy		C10275

Rev. 1 - 12/6/2002



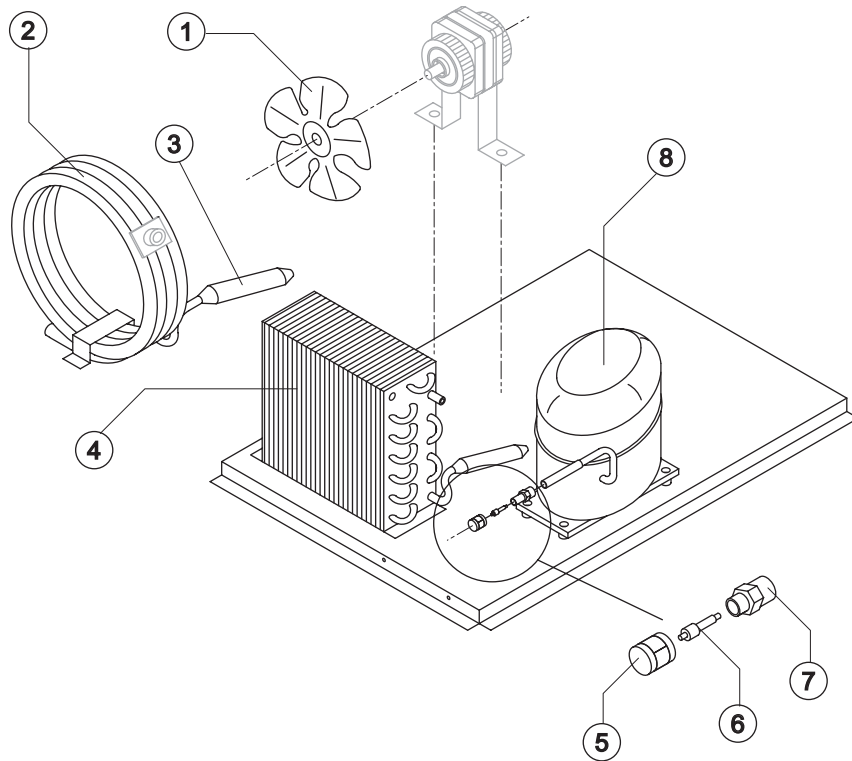
GB 1540

Зип Общепит

vsezip.ru

+7(812)987-08-81

COOLING SYSTEM



Common Parts

Ref.	Spare Description	Code
3	Molecular Drier	14009
5	Vacuum-Charge Valve Plug	14006
6	Vacuum-Charge Valve Body	14005
7	Vacuum-Charge Valve Device	14007
8	Compressor	See Table -

Parts for Air-Cooled Version Only

Ref.	Spare Description	Code
1	Suction Fan 254/31°	20031
4	Air Condenser	Current Version 20175
4	Air Condenser	Till s/n.74774 20019

Parts for Water-Cooled Version Only

Ref.	Spare Description	Code
1	Suction Fan	10213
2	Water Condenser	14014

Ref. 8 - Compressor

Tension	Code
220/240V 50 Hz	23575
220/230V 60 Hz	23578
110/115V 60 Hz	23579

Rev. 1 - 12/6/2002



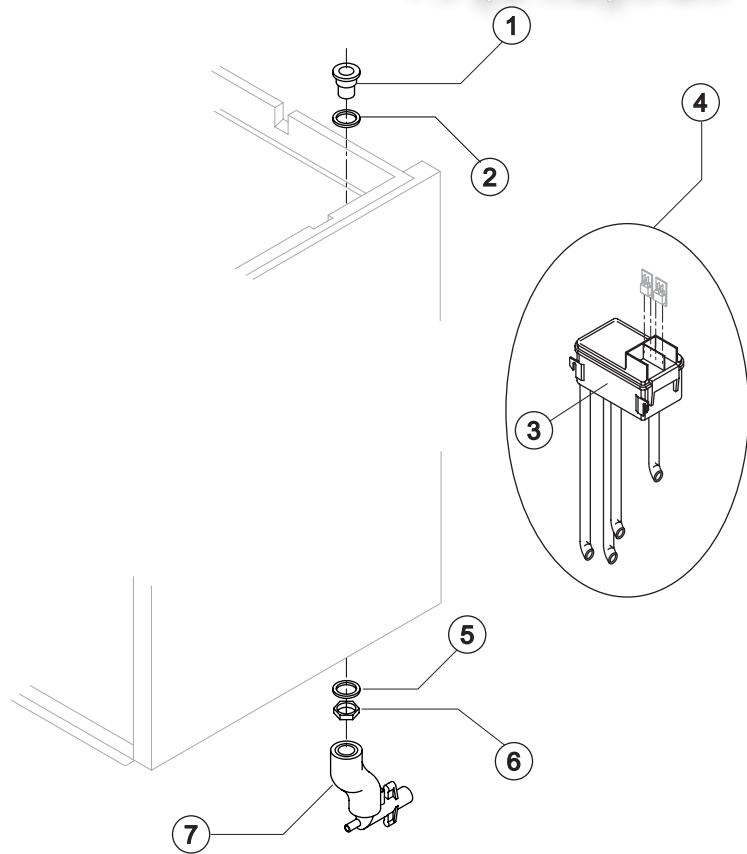
GB 1540

Зип Общепит

vsezip.ru

HYDRAULIC CIRCUIT

+7(812)987-08-81



Common Parts

Ref.	Spare Description	Code
1	Plastic Nipple Water Outlet	10007
2	Silicone Gasket	13006
3	Double Switch Basin	10145
4	Double Switch Basin Assembly	C10165GB
5	Semirigid Polyethylene Gasket	13007
6	Bin Discharge Nut	10096

Parts for Air-Cooled Version Only

Ref.	Spare Description	Code
7	Discharges Manifold	C10235

Parts for Water-Cooled Version Only

Ref.	Spare Description	Code
7	Discharges Manifold	C10240

Rev. 1 - 12/6/2002



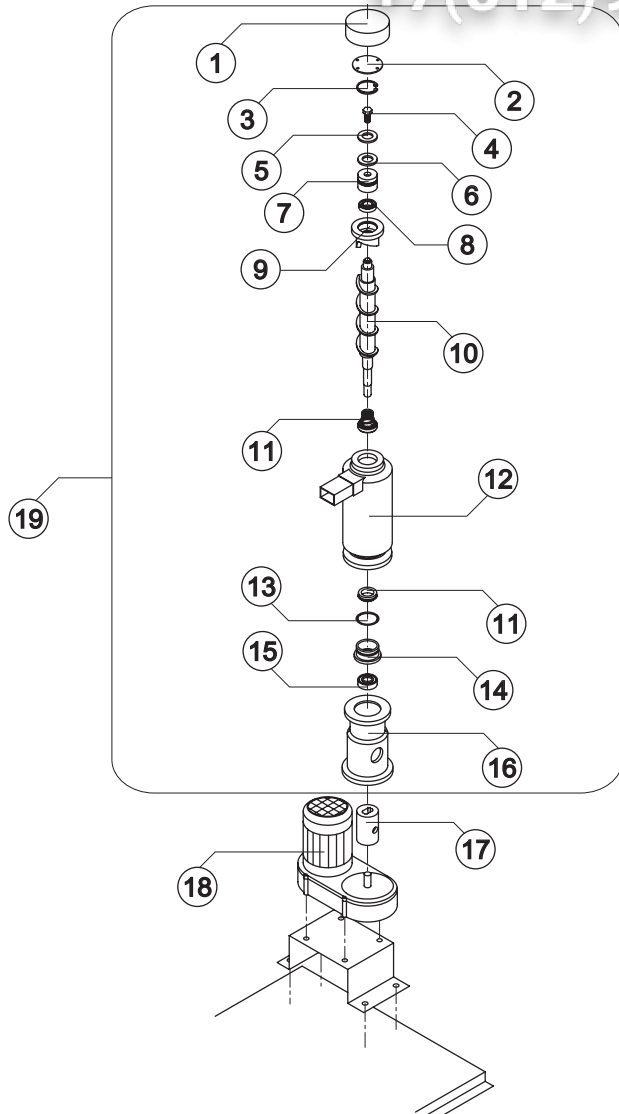
GB 1540

Зип Общепит

vsezip.ru

EVAPORATOR

+7(812)987-08-81



Ref.	Spare Description	Code
1	Insulating Top Panel	18164
2	Closing Disk	22825
3	Seeger	20043
4	INOX Screw	Current Version 20663
4	INOX Screw	Till s/n. 161504 15093
5	Shimming Disk	22826
6	Self-Lubricating Disk	20631
7	INOX Bearing	20623
8	Seal Ring	20632
9	Ice Breaker	20626
10	Auger with Screw	C20625
11	Ceramic Seal	20633
12	Foamed Evaporator	C11107
13	OR Gasket 3162 NBR70	20429
14	Reduction Ring	20624
15	INOX Bearing	20045
16	Flange	20629
17	Joint	D20630
18	Gearmotor	See Table -
19	Evaporator Assy	C11110

Ref. 18 - Gearmotor

Tension	Code
220/240V 50 Hz	23532
220/230V 60 Hz	23532
110/115V 60 Hz	23556

Rev. 1 - 12/6/2002



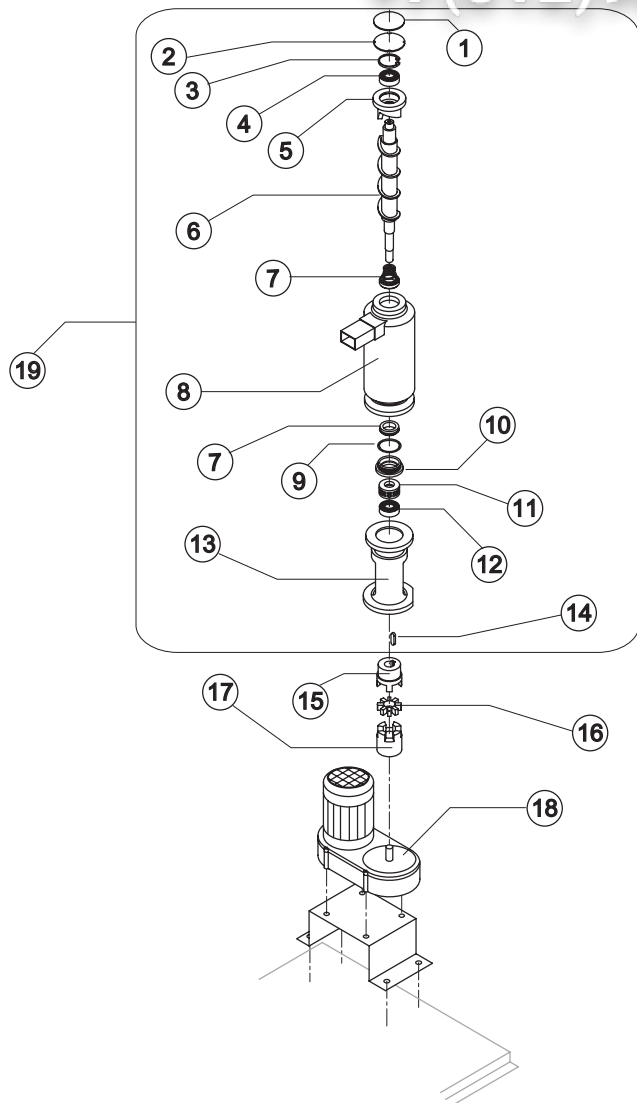
GB 1540

Зип Общепит

vsezip.ru

EVAPORATOR

+7(812)987-08-81



Ref.	Spare Description	Code
1	Insulating Panel	18116
2	Closing Disk	22588
3	Seeger Ring	20434
4	Stainless Steel Upper Bearing	20433
5	Ice Breaker	20440
6	Auger	20439
7	Ceramic Seal	20428
8	Foamed Evaporator	C11094
9	OR Gasket 3162 NBR70	20429
10	Reduction Ring	20427
11	Stainless Steel Thrust Bearing	20049
12	INOX Bearing	20045
13	Machined Joint Flange	E20438
14	Key	20431
15	Semi-Joint	D20430
16	Vibration-Damping Elastomer	20455
17	Semi-Joint	D20454
18	Gearmotor	See Table
19	Evaporator Assy	C11095

Ref. 18 - Gearmotor

Tension	Code
220/240V 50 Hz	23532
220/230V 60 Hz	23532
110/115V 60 Hz	23556

Rev. 1 - 12/6/2002



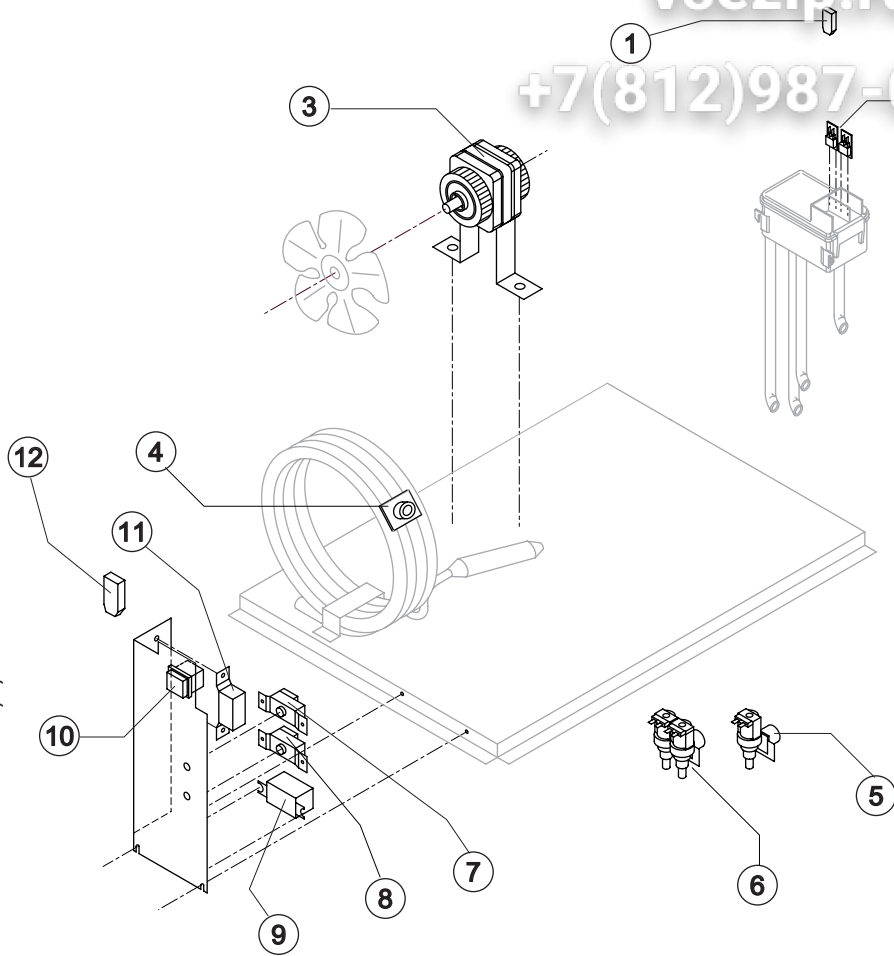
GB 1540

Зип Общепит

vsezip.ru

+7(812)987-08-81

ELECTRIC PARTS



Common Parts

Ref.	Spare Description	Code
1	Anti Radio Interference Filter 220/240V 50 Hz	23457
2	Microswitch	23055
3	Fan Motor See Table	-
7	Bin Thermostat	23005
8	Evaporator Thermostat	23034
9	Relay See Table	-
10	Green Light Switch	23327
11	Condenser Pressure Switch	23175
12	Anti Radio Interference Filter 220/240V 50 Hz	23459

Parts for Air-Cooled Version Only

Ref.	Spare Description	Code
5	Inlet Watervalue 1 Way See Table	-

Parts for Water-Cooled Version Only

Ref.	Spare Description	Code
4	Safety Thermostat	C23114
6	Inlet Watervalue 2 Ways See Table	-

Ref. 3 - Fan Motor

Tension	Air	Water
220/240V 50 Hz	23067	23029
220/230V 60 Hz	23580	23029
110/115V 60 Hz	23393	23265

Ref.5 - Inlet Watervalue 1 Way

Tension	Code
220/240V 50 Hz	23115
220/230V 60 Hz	23115
110/115V 60 Hz	23410

Ref.6 - Inlet Watervalue 2 Ways

Tension	Code
220/240V 50 Hz	23010
220/230V 60 Hz	23010
110/115V 60 Hz	23261

Ref. 9 - Relay

Tension	Code
220/240V 50 Hz	23190
220/230V 60 Hz	23190
110/115V 60 Hz	23557

Rev. 1 - 12/6/2002