



# MUSTER 800

Зип Общепит

## LIST OF THE EXPLODED VIEWS

vsezip.ru

2nd Version M800A - M800W - M800AW +7(812)987-08-81



SHELL 2nd Version M800A - M800W - M800AW

SHELL ASSY 1st Version M800A/W - M800W

COOLING SYSTEM 2nd Version M800A - M800W - M800AW

COOLING SYSTEM 1st Version M800A/W - M800W

EVAPORATOR 2nd Version M800A - M800W - M800AW

EVAPORATOR 1st Version M800A/W - M800W

PUMP

ELECTRIC PARTS 2nd Version M800A - M800W - M800AW

ELECTRIC PARTS 1st Version M800A/W - M800W

1st Version M800A/W - M800W



Rev. 8 - 25/09/2007



# MUSTER 800

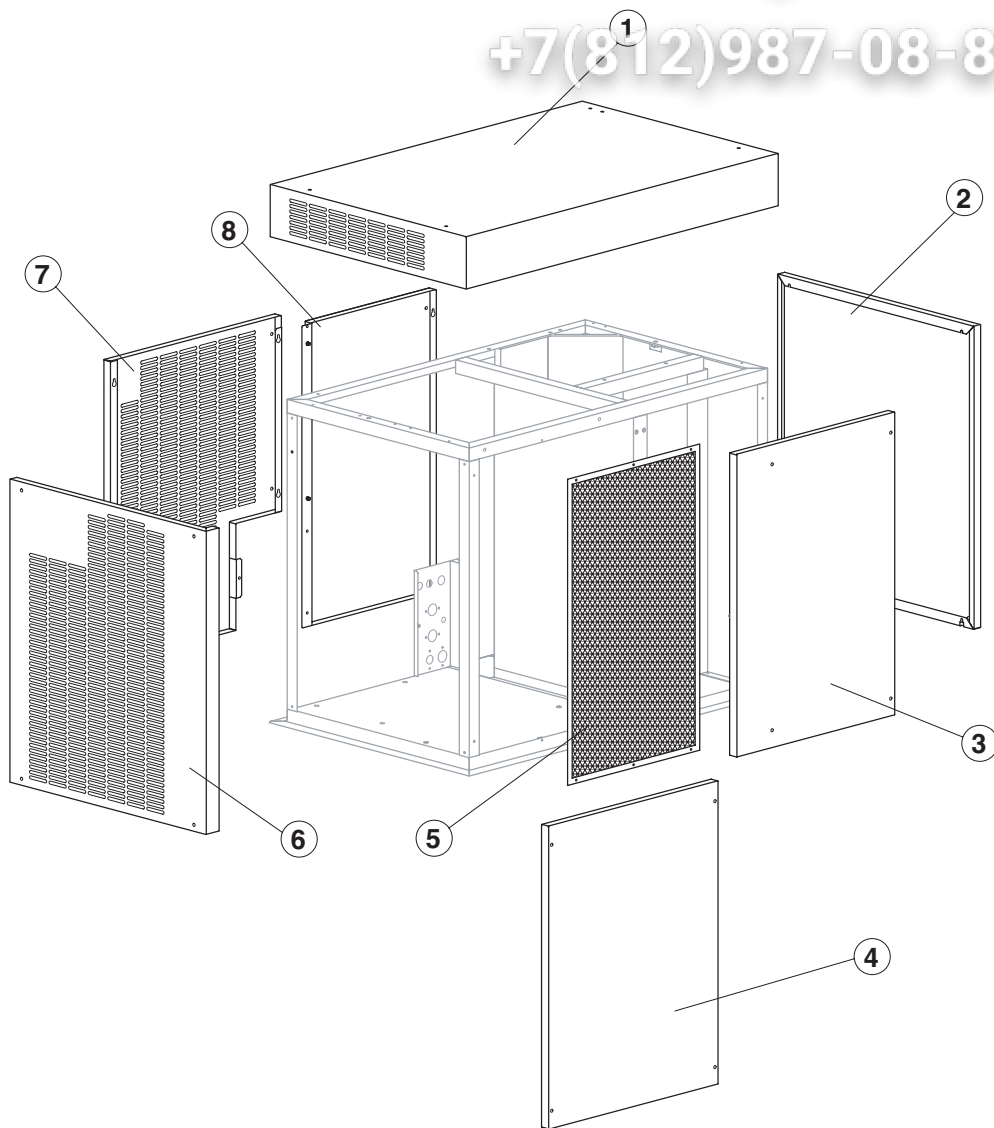
## Зип Общепит

2nd Version M800A - M800W - M800AW

vsezip.ru

# SHELL ASSY

+7(812)987-08-81



Rev. 8 - 25/09/2007

### Common Parts

Ref.	Spare Description	Code
1	Top Assembly	C22449
2	Right Side Panel	22445
3	Front Panel Assy (Evaporator Side)	C22448B
6	Left Side Panel	22444
7	Rear Panel (Group Side)	22926
8	Rear Panel (Evaporator Side)	22925

### Parts for Air-Cooled and Mixed Cooled Version Only

Ref.	Spare Description	Code
5	Filter	18183

### Parts for Water-Cooled Version Only

Ref.	Spare Description	Code
4	Front Panel	22927



# MUSTER 800

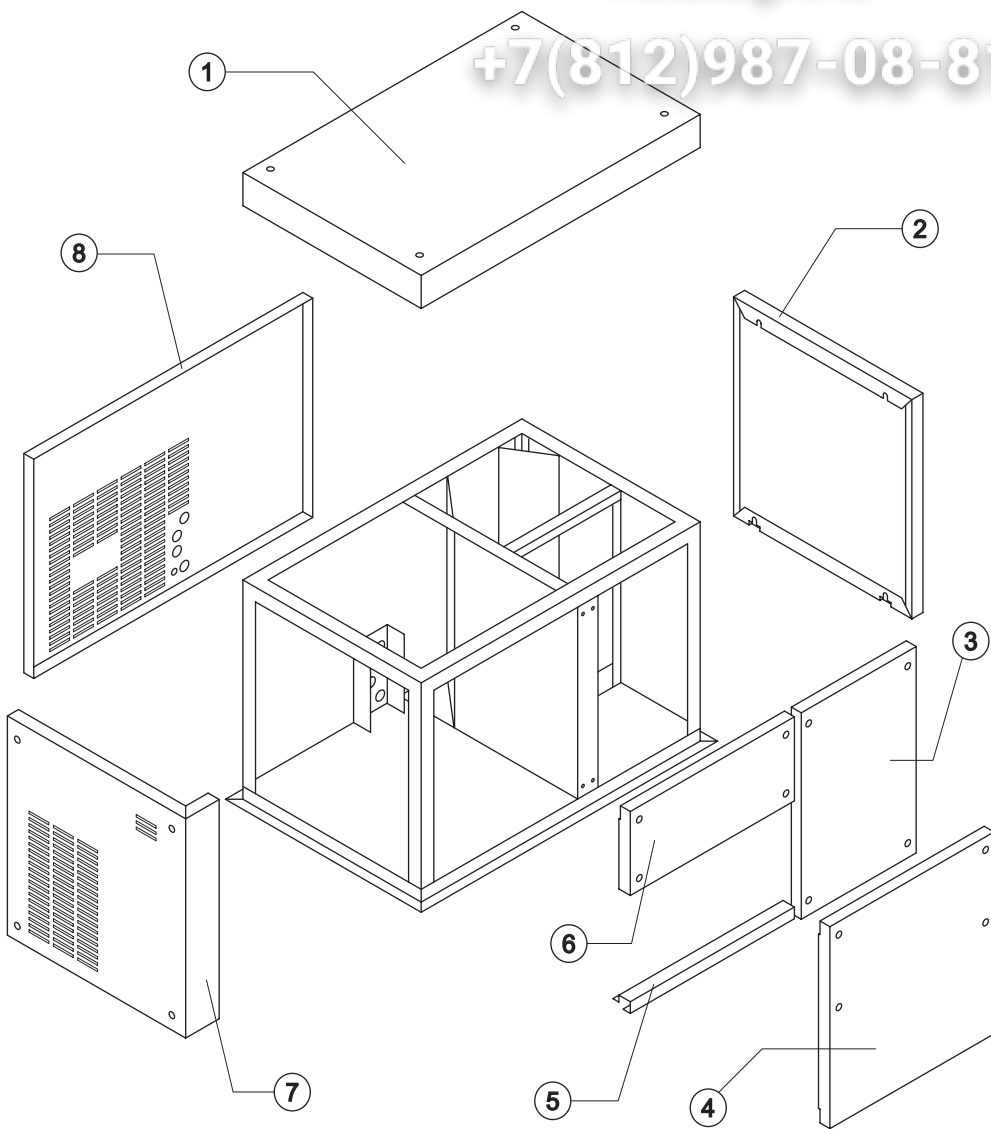
## Зип Общепит

1st Version M800A/W - M800W

vsezip.ru

# SHELL ASSY

+7(812)987-08-81



### Common Parts

Ref.	Spare Description	Code
1	Top Assembly	C22449
2	Right Side Panel	22445
3	Front Panel Assy (Evaporator Side)	C22448B
7	Left Side Panel	22444
8	Rear Panel	22450

### Parts for Water-Cooled Version Only

Ref.	Spare Description	Code
4	Front Panel	22599

### Parts for Mixed Cooled Version Only

Ref.	Spare Description	Code
5	Frontal Template	22446
6	Electrical Box Cover Panel	22486



# MUSTER 800

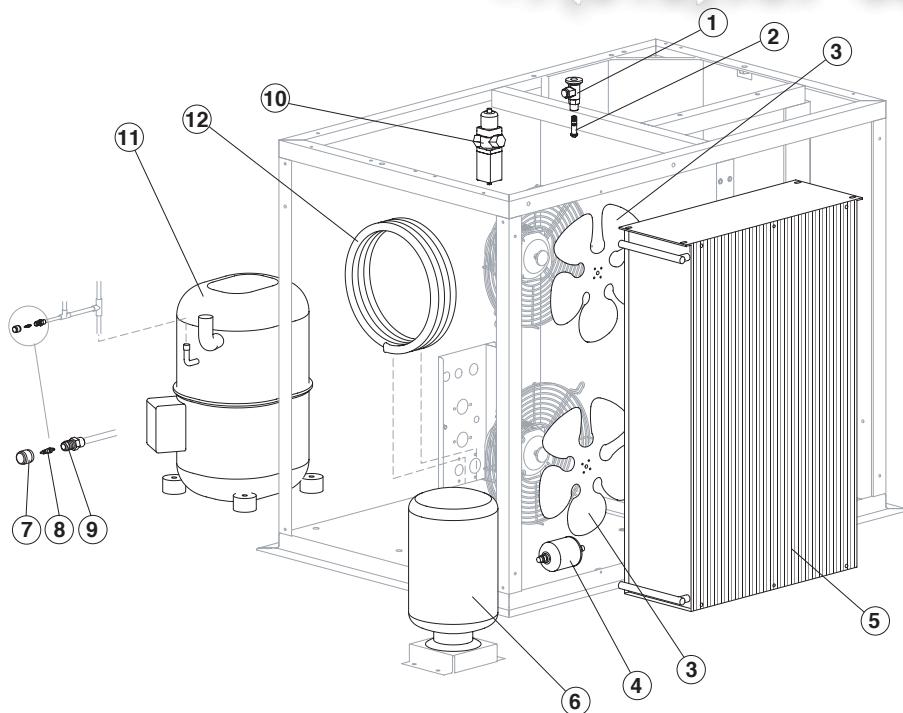
## Зип Общепит

2nd Version M800A - M800W - M800AW

vsezip.ru

+7(812)987-08-81

# COOLING SYSTEM



### Common Parts

	Spare Description	Code
1	Expansion Valve	20734
2	Orifice	20733
4	Solid Core drier	14255
7	Vacuum-Charge Valve Plug	14006
8	Vacuum-Charge Valve Device	14005
9	Vacuum-Charge Valve Body	14007
11	Compressor	23518

### Parts for Air-Cooled Version Only

Ref.	Spare Description	Code
3	Sucking Fan	20407
5	Air Condenser	20787

### Parts for Water-Cooled Version Only

Ref.	Spare Description	Code
6	Water Condenser	14496
10	Pressostatic Valve	20149

### Parts for Mixed Cooled Version Only

Ref.	Spare Description	Code
3	Sucking Fan	20407
5	Air Condenser	20787
12	Water Condenser	14034

Rev. 8 - 25/09/2007



# MUSTER 800

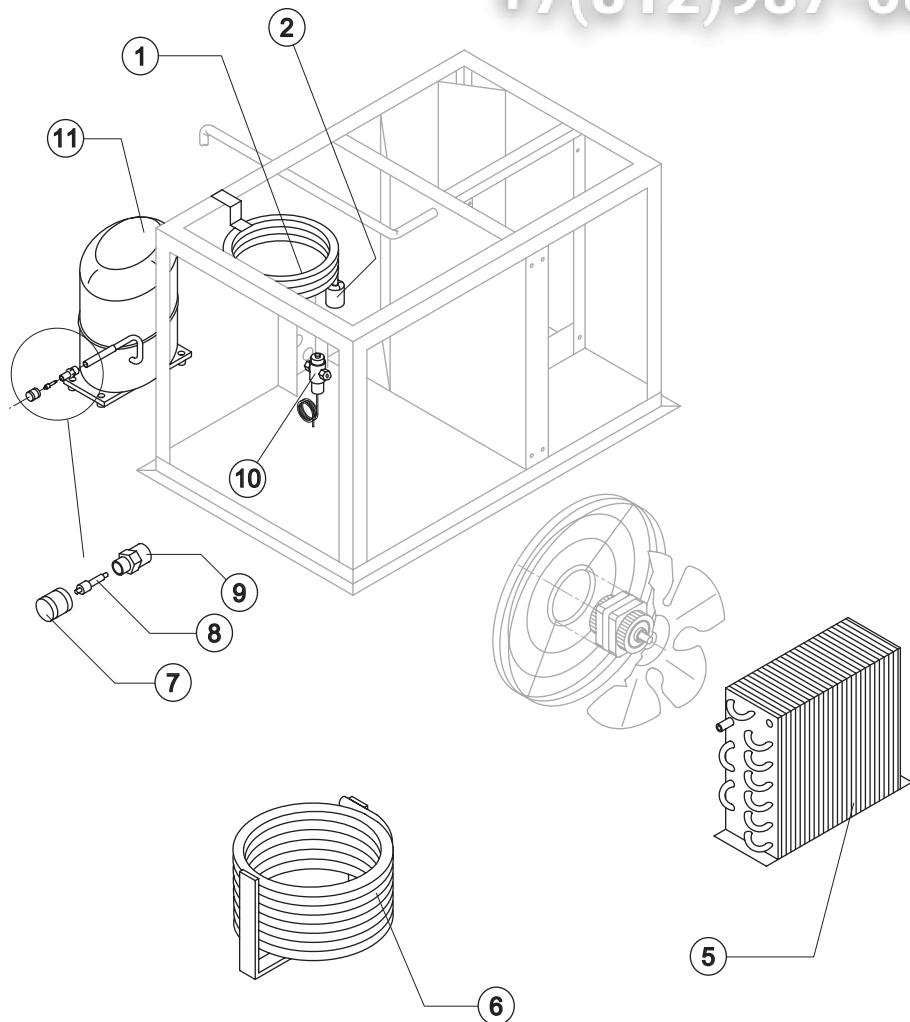
## Зип Общепит

1st Version M800A/W - M800W

vsezip.ru

+7(812)987-08-81

# COOLING SYSTEM



### Common Parts

	Spare Description	Code
2	Solid Core Drier	14255
7	Vacuum-Charge Valve Plug	14006
8	Vacuum-Charge Valve Device	14005
9	Vacuum-Charge Valve Body	14007
10	Pressostatic Valve	20149
11	Compressor	Vedi Tabella -

### Parts for Water-Cooled Version Only

Ref.	Spare Description	Code
6	Water Condenser	14285

### Parts for Mixed Cooled Version Only

Ref.	Spare Description	Code
1	Water Condenser	14034
5	Air Condenser	20396

### Ref. 11- Compressor

Tension		Code
230V 3 50 Hz		23517
400V 3N 50 Hz	Current Version	23648
400V 3N 50 Hz	Till s/n. 174236	23518
220-230V 3 60 Hz		23517
440-460V 3N 60 Hz	Current Version	23648
440-460V 3N 60 Hz	Till s/n. 174236	23518

Rev. 8 - 25/09/2007



# MUSTER 800

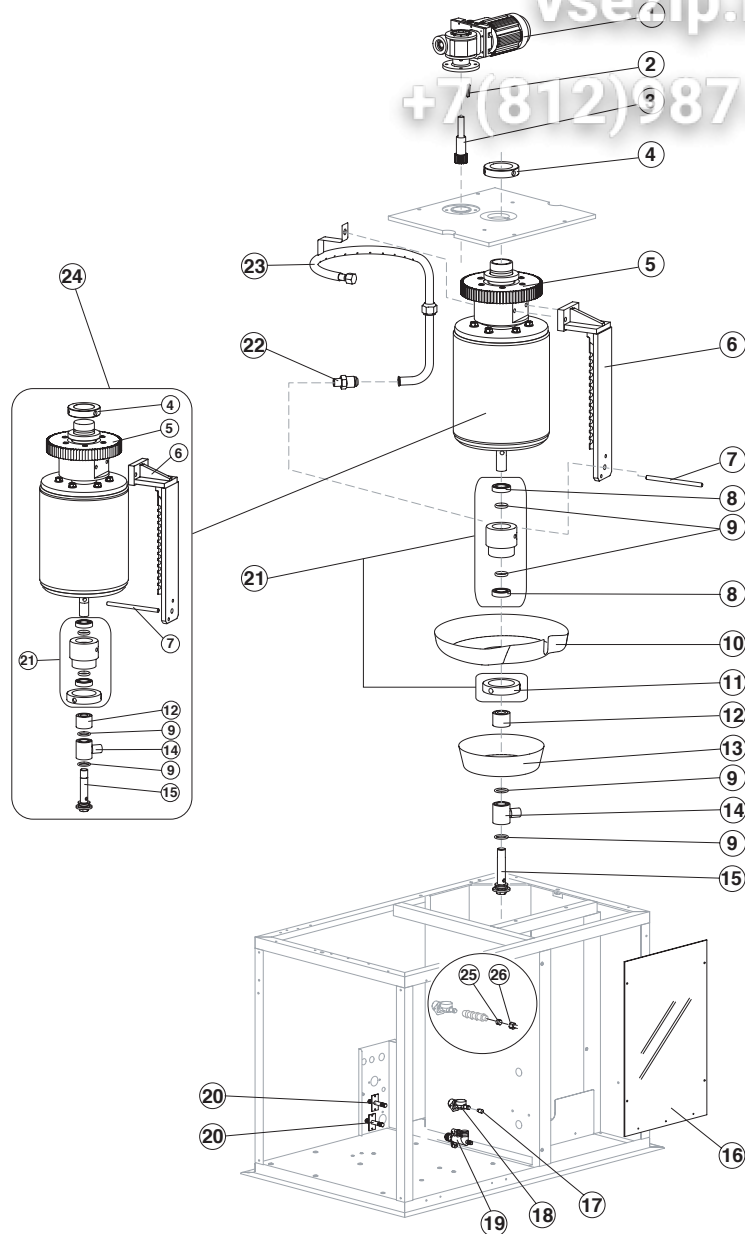
## Зип Общепит

2nd Version M800A - M800W - M800AW

vsezip.ru

+7(812)987-08-81

# EVAPORATOR



### Common Parts

Ref.	Spare Description	Code
1	Gearmotor Assy	C23412
2	Key 6x6x40	20350
3	Pinion with Shaft for Gearmotor	C20344
4	Cylinder Locking Ring Nut	20365
5	Ring Gear	20363
6	Scraper	20358
7	M10 Tie Rod (to Block Scraper)	20369
8	Stainless Steel Upper Bearing	20045
9	Silicone OR 4081 Ring	20338
10	Rotating Basin	10191
11	Ring Nut for Rotating Ring	10194
12	Spacer	Current Version 10528
12	Spacer	Till s/n. 387018 20366
13	Fixed Basin	C10192
14	Water Inlet Ring	20851
15	Screw	20872
16	Evaporator Chamber Shield	Current Version 10531
16	Evaporator Chamber Shield	Till s/n. 387018 10196
18	1 Way- Water Inlet Nipple	10239
19	Discharges Manifold	C10384
21	Complete Rotating Ring	C10193
22	Joint	20367
23	Sprayer Ring	C20357
24	Evaporator	Current Version C20879
24	Evaporator	Till s/n. 387018 KITNEVM800
25	Bush	Till s/n. 260296 20405
26	Nut	Till s/n. 260296 20404

### Parts for Water-Cooled version Only

Ref.	Spare Description	Code
20	Connection with Plate	C20462

### Parts for Mixed Cooled version Only

Ref.	Spare Description	Code
17	Lt. 2,0 Flow Control for Water Inlet Connector	10077
20	Connection with Plate	C20462

Rev. 8 - 25/09/2007



# MUSTER 800

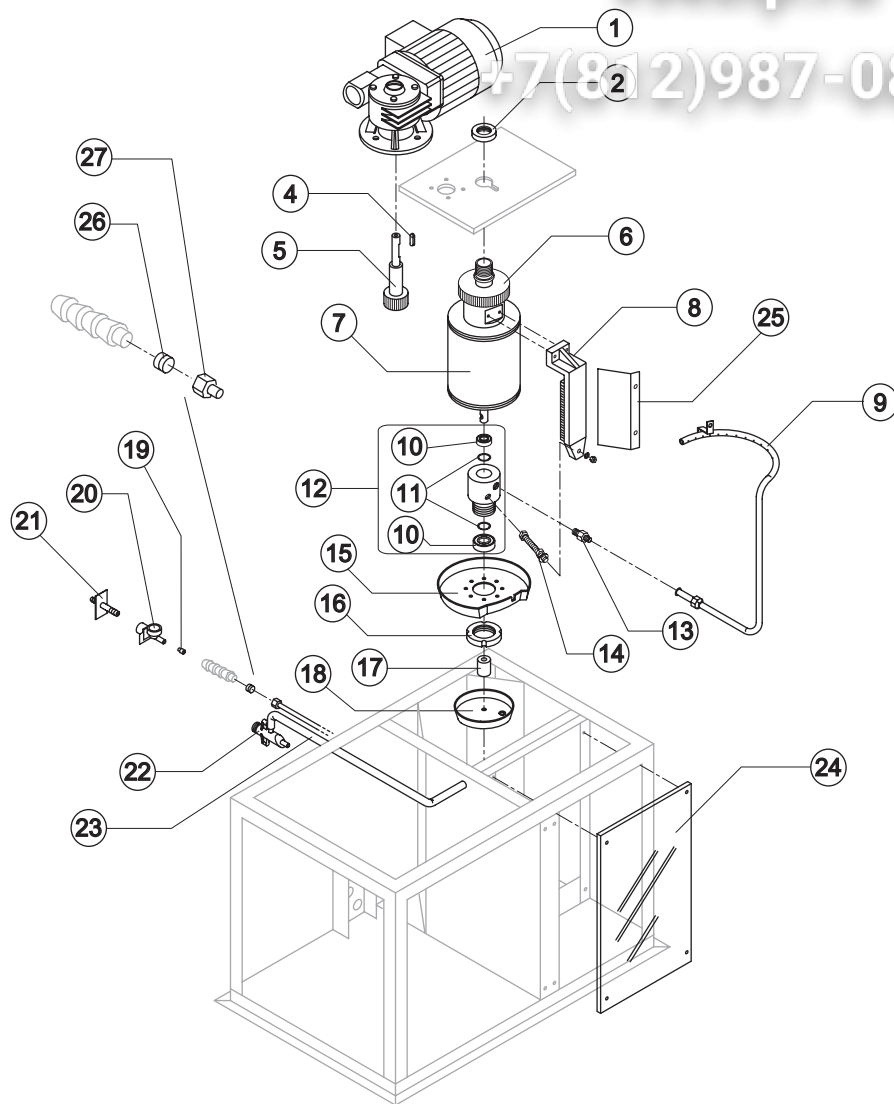
Зип Общепит

1st Version M800A/W - M800W

vsezip.ru

+7(812)987-08-81

# EVAPORATOR



### Common Parts

Ref.	Spare Description	Code
1	Motor with Reduction Gear Assy	See Table
2	Cylinder Locking Ring Nut	20365
4	Key 6x6x40	20350
5	Pinion with Shaft for Gearmotor	C20344
6	Ring Gear	20363
7	Evaporator	KITNEVM800
8	Scraper	20358
9	Sprayer Ring	C20357
10	Stainless Steel Bearing	20045
11	Silicone OR 4081 Ring	20338
12	Complete Rotating Ring	C10193
13	Joint	20367
14	M10 Tie Rod (to Block Scraper)	20369
15	Rotating Basin	10191
16	Ring Nut for Rotating Ring	10194
17	Spacer	20366
18	Fixed Basin	C10192
20	1 Way- Water Inlet Nipple	10239
23	Overflow Pipe	13088
24	Evaporator Chamber Shield	10196
25	Baffle Plate	10420
26	Bush	20405
27	Nut	20404

### Parts for Water-Cooled Version Only

Ref.	Spare Description	Code
21	Connection with Plate	C20462
22	Discharges Manifold	C10052

### Parts for Mixed Cooled Version Only

Ref.	Spare Description	Code
19	Lt. 2,0 Flow Control for Water Inlet Connector	10077
22	Discharges Manifold	C10053

### Ref. 1 - Gearmotor Assy

Tension	Code
230V 3 50 Hz e 400V 3N 50 Hz	C23412
220-230V 3 60 Hz e 440-460V 3N 60 Hz	C23389

Rev. 8 - 25/09/2007





# MUSTER 800

## Зип Общепит

vsezip.ru

# PUMP

+7(812)987-08-81

### Common Parts

Ref.	Spare Description	Code
1	Pump	See Table
2	Heat Dissipator	22430
3	Pump Filter Gasket	13080
4	Filtering Element	20254
5	Pump Motor Support	10161
6	Pump-Filter Connection Pipe	13084
7	Pump Body	10065
8	Pump Impeller	10138
9	Diffusor	10067
10	Nut	Till s/n. 260296
11	Bush	Till s/n. 260296
12	Water Pump Basin Cover	22420
13	Floating Valve	Current Version
13	Floating Valve Assy	Till s/n. 260296
14	Pump and Filter Assy	See Table
16	Water Pump Basin	C22443
17	Connection	20799

### Ref. 1 - Pump

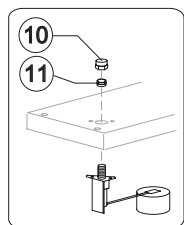
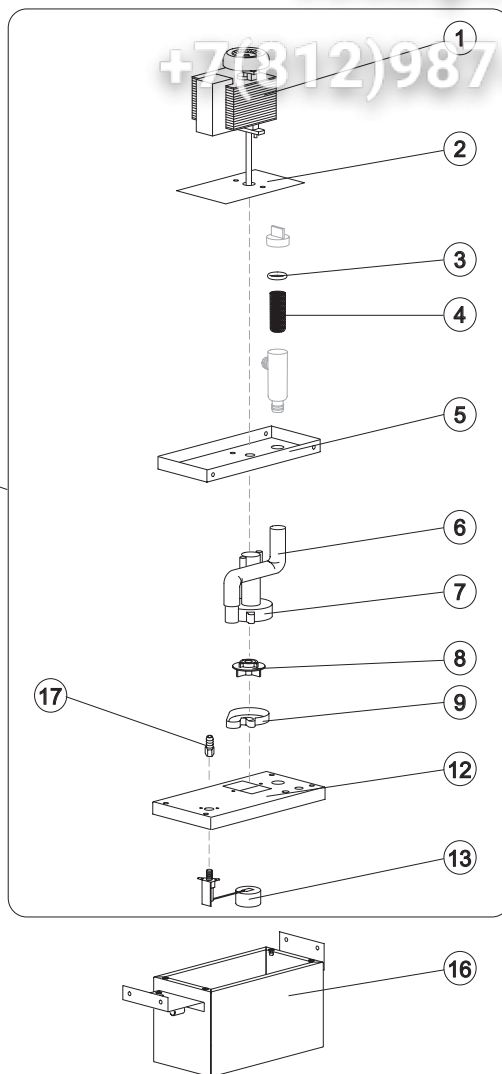
Tension	Code
230V 3 50 Hz	23073
400V 3N 50 Hz	23073
220-230V 3 60 Hz	23187
440-460V 3 60 Hz	23187

### Ref. 14 - Pump and Filter Assy

Tension	Code	Till Oct. 31st, 2007
230V 3 50 Hz	C26738	C26711
400V 3N 50 Hz	C26738	C26711
220-230V 3 60 Hz	C26739	C26712
440-460V 3 60 Hz	C26739	C26712



Ref. 14 - For ice-makers with s/n. before 260297 ask also the Nut (ref. 10) and the Bush (ref. 11).



Till s/n. 260296





# MUSTER 800

## Зип Общепит

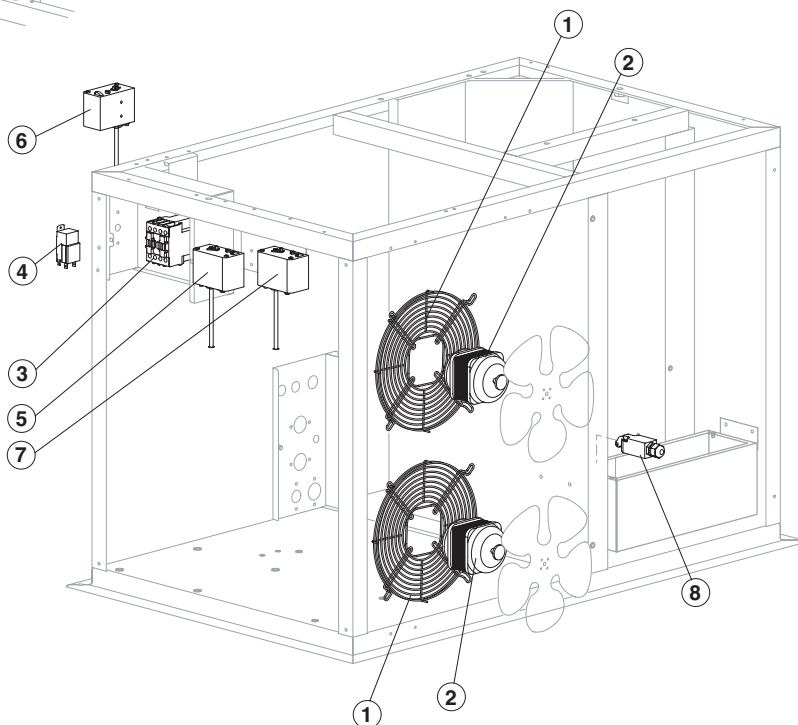
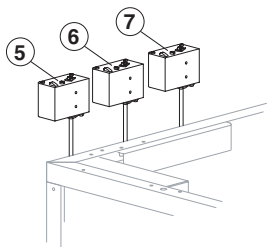
2nd Version M800A - M800W - M800AW

vsezip.ru

# ELECTRIC PARTS

### +7(812)987-08-81

Pressure Switch Views till s/n. 301010



#### Common Parts

Ref.	Spare Description	Code
3	Contactor	23398
4	Bin Thermostat	R23421
5	Safety Pressure Switch (Low Pressure Circuit) Current Version	23763
5	Safety Pressure Switch (Low Pressure Circuit) Till s/n. 237664	23577
6	Safety Pressure Switch (Low Pressure)	23729
7	Safety Pressure Switch (High Pressure)	23729
8	Microswitch for Overflow Ice	23746

#### Parts for Air-Cooled Version Only

Ref.	Spare Description	Code
1	Fan Motor Grid	12056
2	Fan Motor	23121

Rev. 8 - 25/09/2007



# MUSTER 800

## Зип Общепит

1st Version M800A/W - M800W

vsezip.ru

# ELECTRIC PARTS

### +7(812)987-08-81

#### Common Parts

Ref.	Spare Description	Code
1	Relay	23190
2	Anti Radio Interference Filter 230V 3 50 Hz e 400V 3N 50 Hz	C23458
3	Contactora	23398
4	Phases-Sequence Sensor	23649
5	Safety Pressure Switch (Maximum Pressure)	23342
7	Safety Thermostat	R23447
8	Bin Thermostat	R23421
13	Microswitch for Overflow Ice	23373

#### Parts for Air/Water-Cooled Version Only

Ref.	Spare Description	Code
6	Condenser Pressure Switch	23175
9	Anti Radio Interference Filter 230V 3 50 Hz e 400V 3N 50 Hz	C23459
10	Fan Motor	See Table
11	Fan Motor Grid	See Table
12	Fan Motor Capacitor	23469

#### Ref. 10 - Fan Motor

Tension	Code
230V 3 50 Hz	23468
400V 3N 50 Hz	23468
220-230V 3 60 Hz	23467
440-460V 3N 60 Hz	23467

#### Ref. 11 - Fan Motor Grid

Tension	Code
230V 3 50 Hz	12053
400V 3N 50 Hz	12053
220-230V 3 60 Hz	12052
440-460V 3N 60 Hz	12052

Rev. 8 - 25/09/2007

