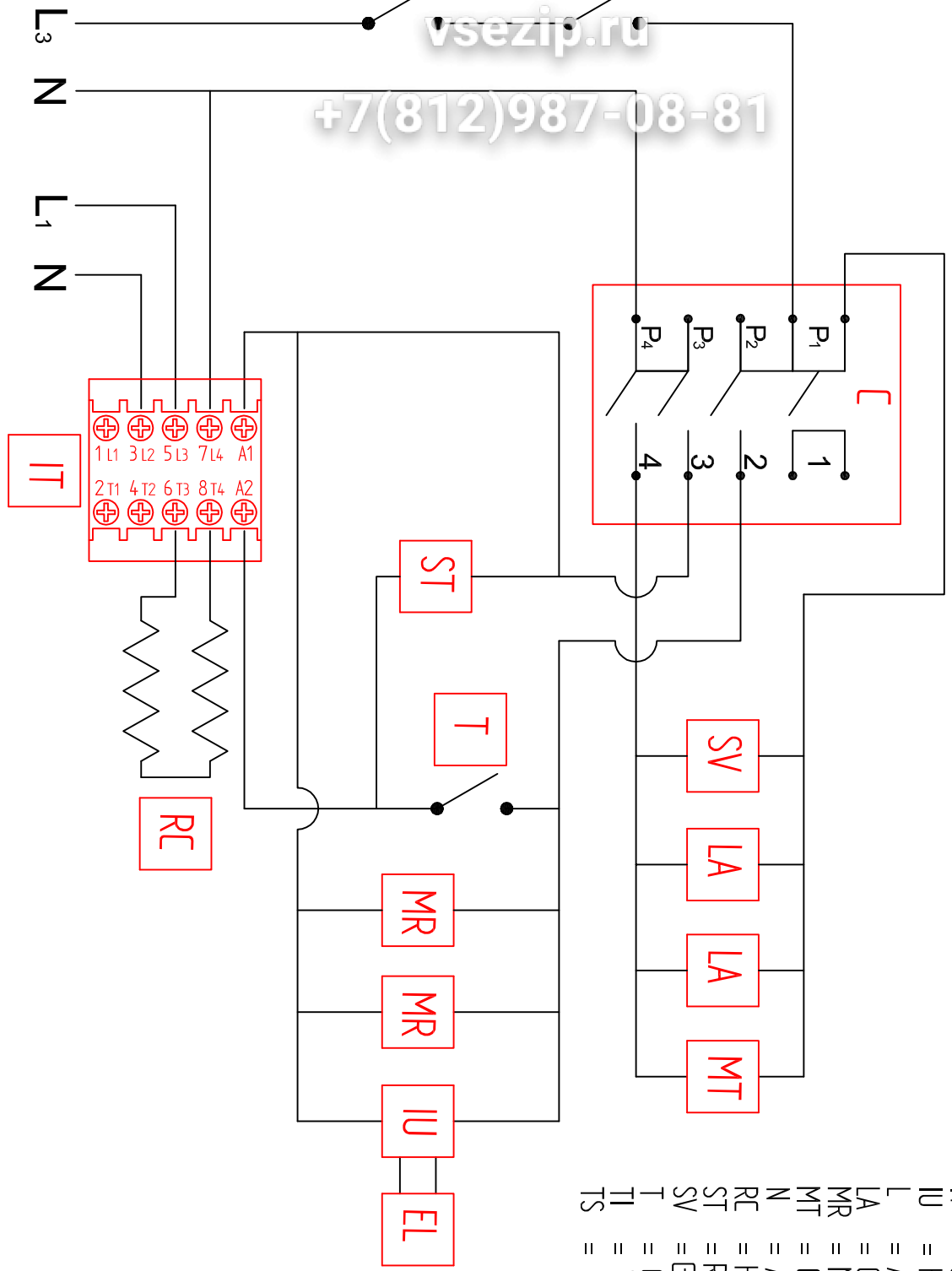


Вип Общегит

vsezip.ru

+7(812)987-08-81



- C = SELECTOR
- EL = ELECTRIC VALVE FOR HUMIDIFIER
- IT = CONTACTORS
- IU = HUMIDITY CONTROL
- L = ALIMENTATION (line/fase)
- LA = OVEN LAMPS
- MR = MOTOR
- MT = COOLING FAN
- N = ALIMENTATION (neutral)
- RC = HEATING ELEMENTS
- ST = RED LIGHT ON/OFF THERMOSTAT
- SV = GREEN LIGHT ON/OFF THERMOSTAT
- T = OVEN THERMOSTAT
- TI = TIMER
- TS = SECURITY THERMOSTAT

4	TOLLERANZE: UNI 5307	SCALA	PIRON	DENOMINAZIONE ELECTRICAL SCHEME	MODELLO OVEN 800, 800U	DISEGNATO: Conte R.
3	da 1 a 6	±0,08				
2	da 6 a 18	±0,12				
1	da 18 a 50	±0,18				
RELEASE	MODIFICHE	FIRMA	da 50 a 80	±0,23	DATA	TRATTAMENTO	FILE	VERIFICATO
..	da 80 a 120	±0,27	19/04/2010
..	da 120 a 250	±0,33
..	da 250 a 400	±0,42
..	da 400 a oltre	±0,50