



GB 1540

Зип Общепит

LIST OF THE EXPLODED VIEWS

vsezip.ru

+7(812)987-08-81



SHELL ASSY

COOLING SYSTEM

EVAPORATOR

HYDRAULIC CIRCUIT

ELECTRIC PARTS

Rev. 8 - 09/07/2007

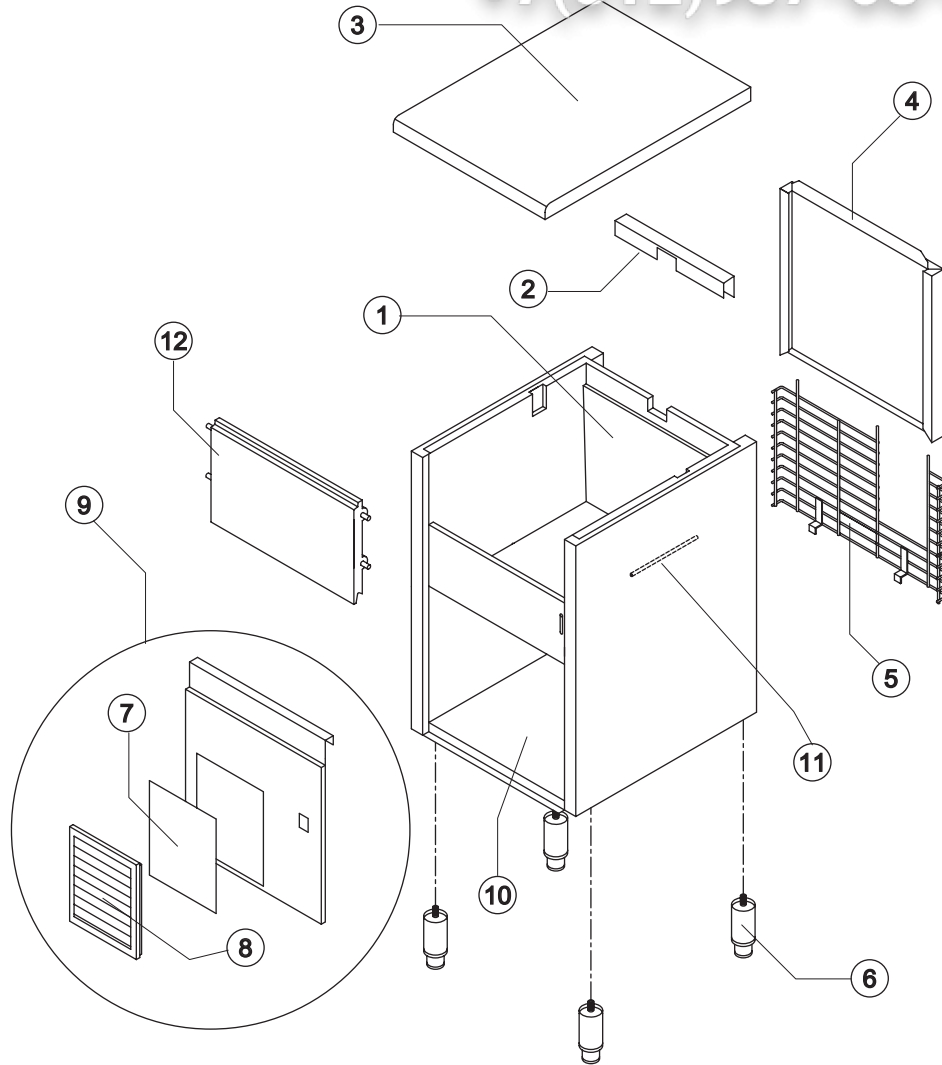


GB 1540

Зип Общепит vsezip.ru

SHELL ASSY

+7(812)987-08-81



Ref.	Spare Description	Code
1	Foamed Cabinet Assy See Table	-
2	Cover for Ice Exhaust	22592
3	Top Assembly	C22690
4	Rear Panel Assembly	C21201
5	Rear Grid	D12020
6	Adjustable Stainless Steel Foot Current Version	20613
6	ABS Foot Till s/n. 142485	10040
7	Filtering Panel	18106
8	Frame + Grid & Filter	C10205
9	Front Grid Panel	C22509
10	Base Plate Current Version	21284
10	Base Plate Till s/n.142485	C21044
11	Bulbe-holder Pipe	20522
12	Door Assy	C10275

Ref. 1 - Foamed Cabinet Assy

Condensation	Code
Air	C11097A
Water	C11097W

Rev. 8 - 09/07/2007



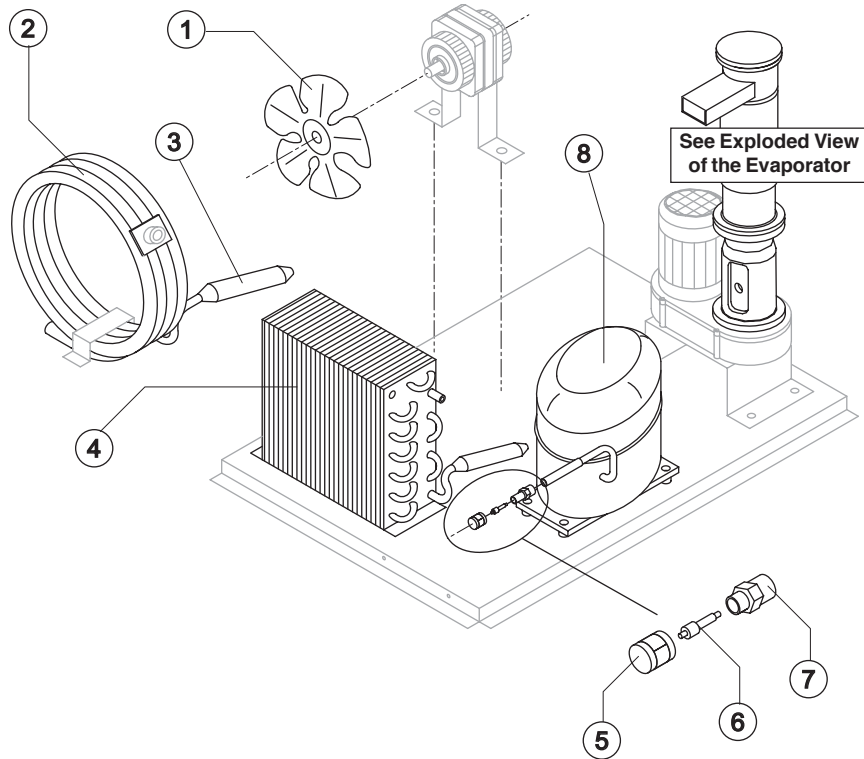
GB 1540

Зип Общепит

vsezip.ru

+7(812)987-08-81

COOLING SYSTEM



Common Parts

Ref.	Spare Description	Code
3	Molecular Drier	14009
5	Vacuum-Charge Valve Plug	14006
6	Vacuum-Charge Valve Body	14005
7	Vacuum-Charge Valve Device	14007
8	Compressor	See Table -

Parts for Air-Cooled Version Only

Ref.	Spare Description	Code
1	Sucking Fan	20031
4	Air Condenser	Current Version 20558
4	Air Condenser	Till s/n. 347947 20175
4	Air Condenser	Till s/n.74774 20019

Parts for Water-Cooled Version Only

Ref.	Spare Description	Code
1	Sucking Fan	10213
2	Water Condenser	14014

Ref. 8 - Compressor

Tension	Code
220/240V 50 Hz	23832
220/230V 60 Hz	23578A
110/115V 60 Hz	23579



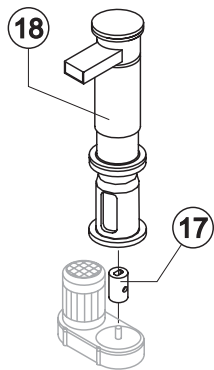
GB 1540

Зип Общепит

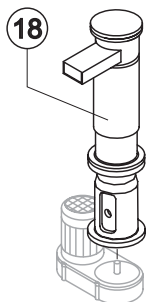
vsezip.ru

EVAPORATOR

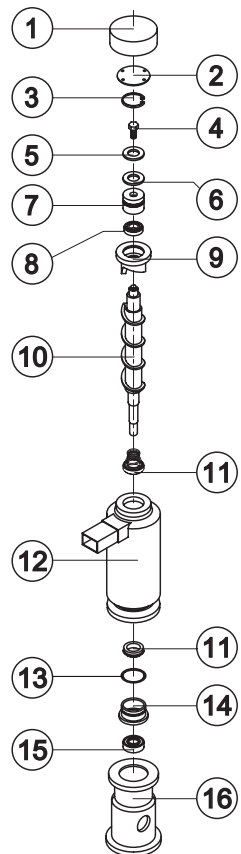
Current Version **+7(812)987-08-81** Till s/n. 157640



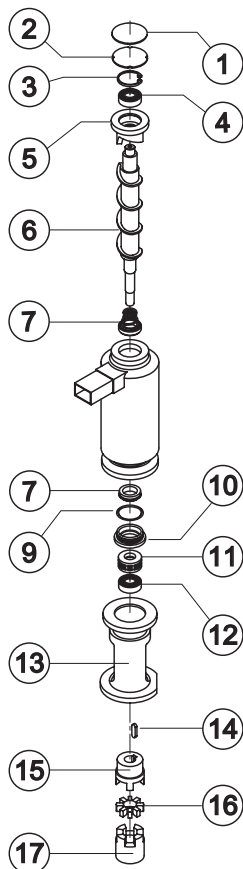
C11140



KITNEVGB



For Complete Evaporator,
order C11140.



For Complete Evaporator,
order KITNEVGB

Ref.	Spare Description (Current Version)	Code
1	Insulating Cap	Current Version 18170
1	Insulating Cap	Till s/n. 180719 18164
2	Closing Disk	22825
3	Seeger	20043
4	Stainless Steel Screw	Current Version 20663
4	Stainless Steel Screw	Till s/n. 161504 15093
5	Shimming Disk	22826
6	Self-Lubricating Disk	20631
7	Stainless Steel Thrust Bearing	20686
8	OR Gasket 3087	Current Version 20688
8	Seal Ring	Till s/n. 211897 20632
9	Ice Breaker	20626
10	Auger	Current Version 20783
10	Auger with Screw	Till s/n. 223592 C20783
11	Ceramic Seal	20633
12	Insulated Evaporator	C11107
13	OR Gasket 3162 NBR70	20429
14	Reduction Ring	Current Version 20785
14	Reduction Ring	Till s/n. 223592 20624
15	Stainless Steel Bearing	Current Version 20782
15	Stainless Steel Bearing	Till s/n. 223592 20045
16	Flange	20629
17	Joint	Current Version D20784
17	Joint	Till s/n. 223592 D20630
18	Evaporator Assy	Current Version C11140
18	Evaporator Assy	Till s/n. 223592 KITNEVGB

Ref.	Spare Description (Till s/n.157640)	Code
1	Insulating Sponge	18116
2	Closing Disk	22588
3	Seeger Ring	20434
4	Stainless Steel Upper Bearing	20433
5	Ice Breaker	20440
6	Auger	20439
7	Ceramic Seal	20428
9	OR Gasket 3162 NBR70	20429
10	Reduction Ring	20427
11	Stainless Steel Thrust Bearing	20049
12	Stainless Steel Bearing	20045
13	Machined Joint Flange	E20438
14	Key	20431
15	Semi-Joint	D20430
16	Vibration-Damping Elastomer	20455
17	Semi-Joint	D20454
18	Evaporator Assy	ex C11095 KITNEVGB

Rev. 8 - 09/07/2007

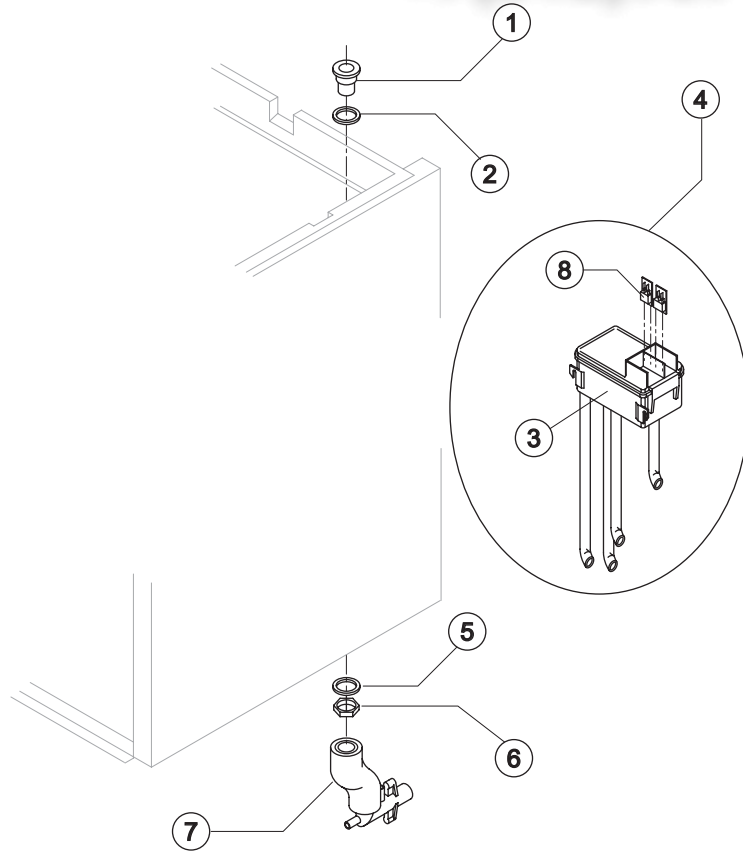


GB 1540

Зип Общепит vsezip.ru

HYDRAULIC CIRCUIT

+7(812)987-08-81



Common Parts

Ref.	Spare Description	Code
1	Water Outlet Nipple	10472
2	Silicone Gasket	13006
3	Double Switch Basin	10145
4	Double Switch Basin Assembly	C10165GB
5	Semirigid Polyethylene Gasket	13007
6	Bin Discharge Nut	10096
8	Microswitch	23055

Parts for Air-Cooled Version Only

Ref.	Spare Description	Code
7	Discharges Manifold	C10235

Parts for Water-Cooled Version Only

Ref.	Spare Description	Code
7	Discharges Manifold	C10240

Rev. 8 - 09/07/2007



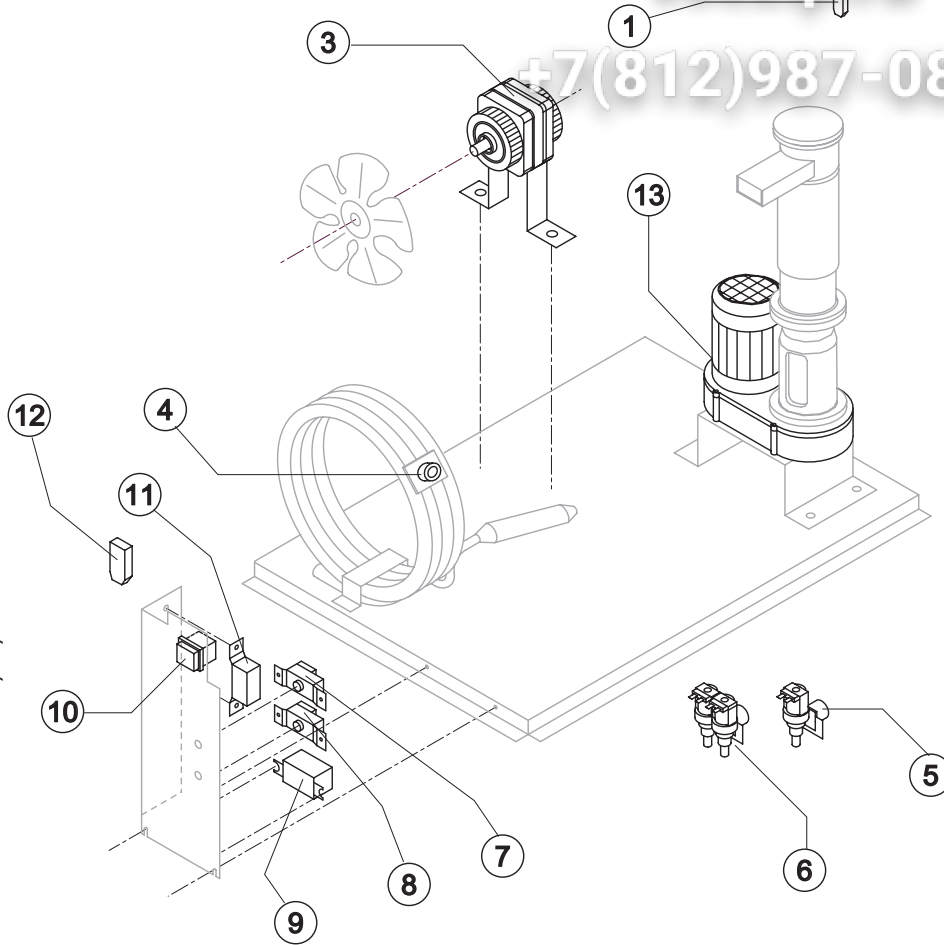
GB 1540

Зип Общепит

vsezip.ru

+7(812)987-08-81

ELECTRIC PARTS



Common Parts

Ref.	Spare Description	Code
1	Anti Radio Interference Filter 220/240V 50 Hz	C23457
3	Fan Motor	See Table
7	Bin Thermostat	R23005
8	Evaporator Thermostat	R23034
9	Relay	See Table
10	Green Light Switch (On-Off)	23327
11	Condenser Pressure Switch	23175
12	Anti Radio Interference Filter 220/240V 50 Hz	C23459
13	Gearmotor	See Table

Parts for Air-Cooled Version Only

Ref.	Spare Description	Code
5	1 Way- Water Inlet Valve	See Table

Parts for Water-Cooled Version Only

Ref.	Spare Description	Code
4	Safety Thermostat	C23114
6	2 Ways- Water Inlet Valve	See Table

Rev. 8 - 09/07/2007

Ref. 3 - Fan Motor

Tension	Air	Water
220/240V 50 Hz	23067	23029
220/230V 60 Hz	23681	23029
110/115V 60 Hz	23621	23683

Ref.5 - 1 Way-Water Inlet Valve

Tension	Code
220/240V 50 Hz	23115
220/230V 60 Hz	23115
110/115V 60 Hz	23410

Ref.6 - 2 Ways-Water Inlet Valve

Tension	Code
220/240V 50 Hz	23010
220/230V 60 Hz	23010
110/115V 60 Hz	23261

Ref. 9 - Relay

Tension	Code
220/240V 50 Hz	23190
220/230V 60 Hz	23190
110/115V 60 Hz	23557

Ref. 13 - Gearmotor

Tension	Code
220/240V 50 Hz	23532
220/230V 60 Hz	23532
110/115V 60 Hz	23556