

Зип Общепит
vsezip.ru
+7(812)987-08-81

Icematic®

Spare parts list • *Catalogo ricambi*
Catalogues pièces détachées



Cod. 71503696/0 - 04/2007

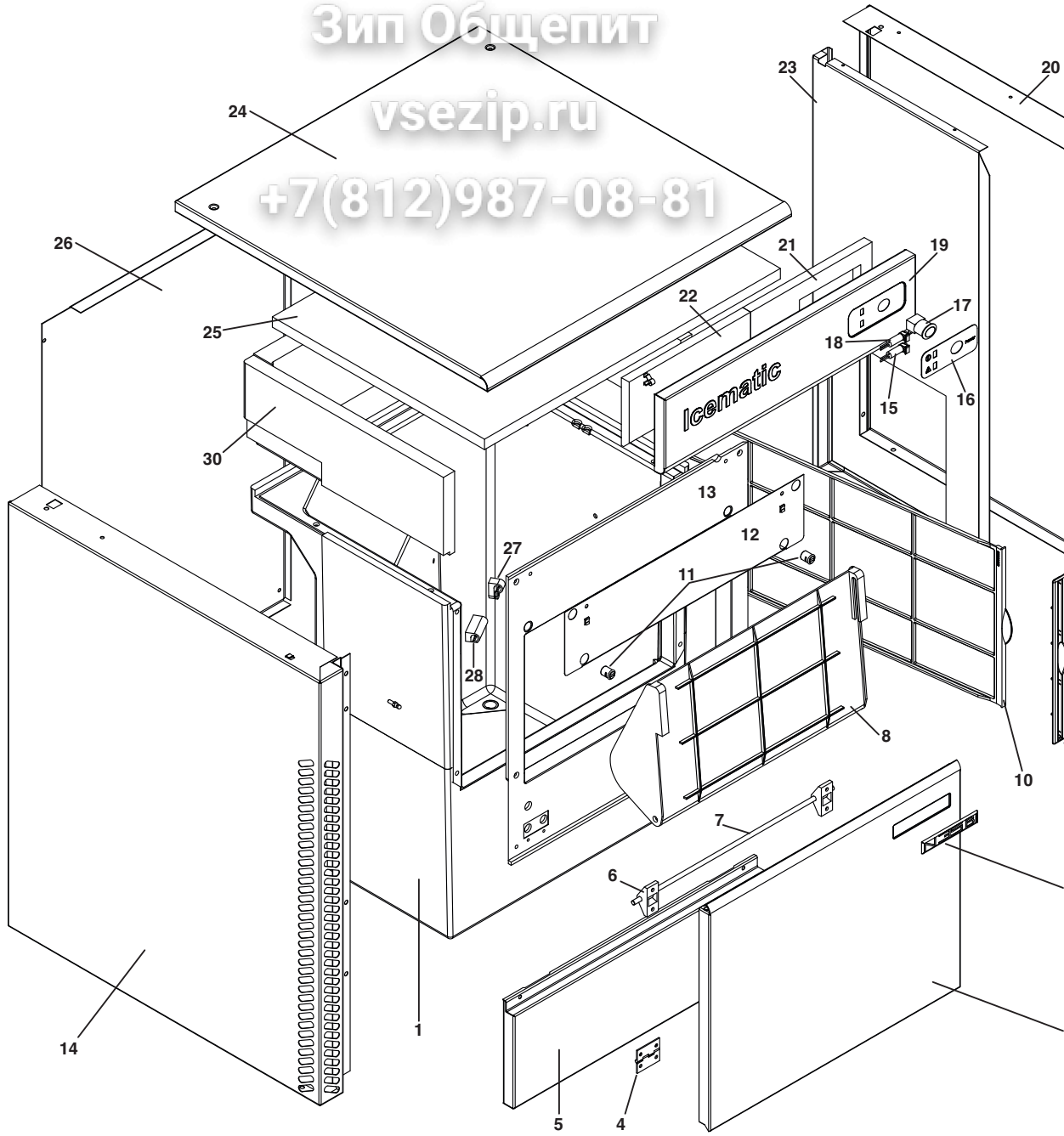
N35 BI

R134a

Зип Общепит

vsezip.ru

+7(812)987-08-81



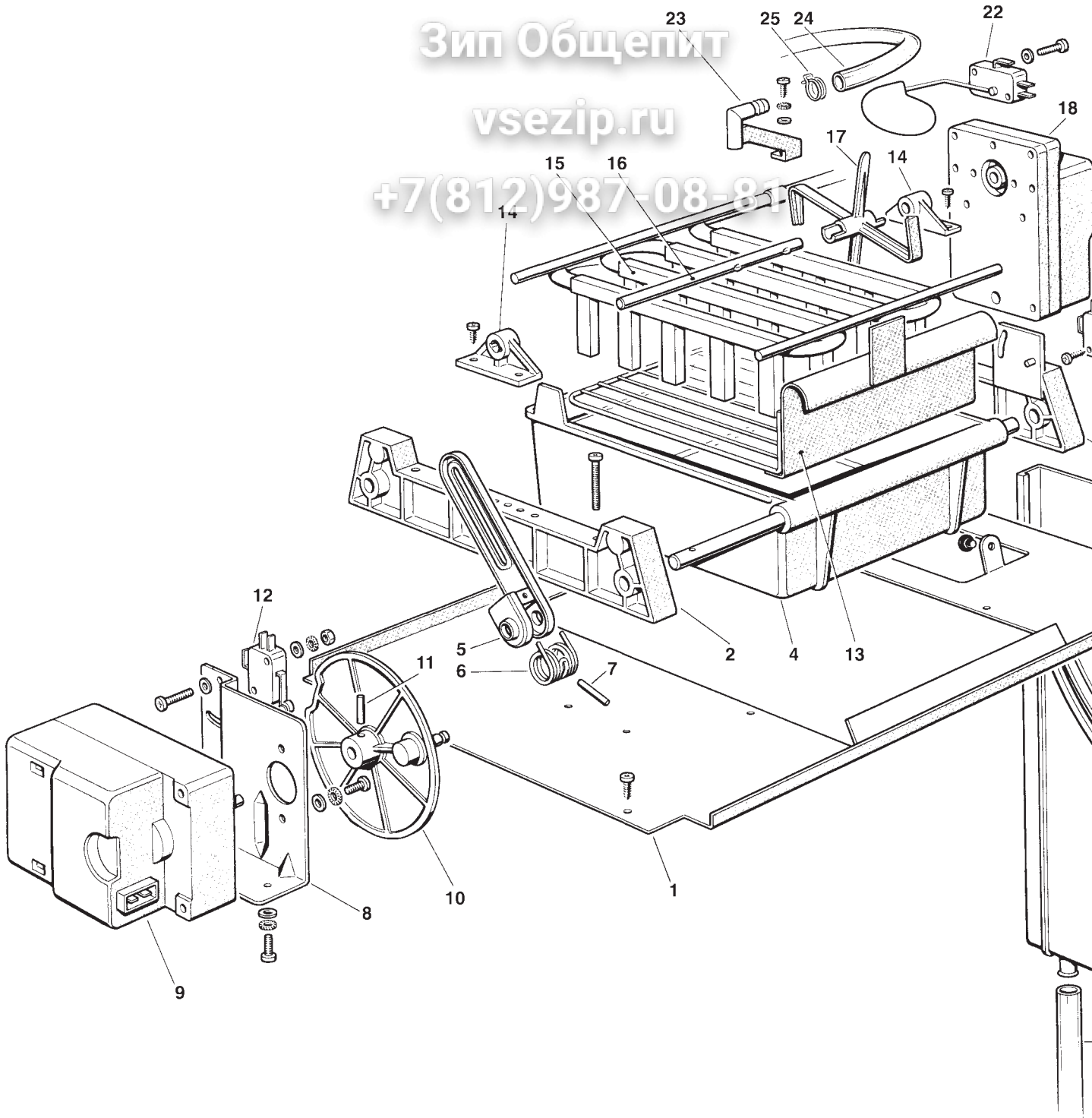
+7(812)987-08-81

| Pos. Nr. | Codice Code | Descrizione | Description | Description | Quantità Q.ty Q.tè |
|-------------|----------------|------------------------------|-----------------------------|-----------------------------------|--------------------------|
| 1 | 81401000/0 | ASS. CONTENITORE | ICE BIN | ENSEMBLE | |
| 2 | 81400180/0 | ASS. PORTA N35BI | COMPLETE DOOR | PORTE COMPLETE | |
| 3 | 25740098/0 | ETICHETTA DENOM. N35BI | LABEL N35BI | ETIQUETTE N35BI | |
| 4 | 19120050/0 | CERNIERA | HINGE | CHARNIERE | |
| 5 | 25547123/0 | PANNELLO ANTERIORE | FRONT PANEL | PANNEAU AVANT | |
| 6 | 25726279/0 | SUPPORTO | SUPPORT | SUPPORT | |
| 7 | 25030019/0 | ALBERINO | SHAFT | ARBRE | |
| 8 | 25260472/0 | DEFLETTORE PORTA | DOOR DEFLECTOR | DEFLECTEUR | |
| 9 | 25725583/0 | SUPPORTO FILTRO | FILTER SUPPORT | SUPPORT DE FILTRE | |
| 10 | 81400187/0 | ASS. SUPPORTO FILTRO | ASSY FILTER SUPPORT | ENS. SUPPORT DE FILTRE | |
| 11 | 41109519/0 | MAGNETI | MAGNET | MAGNETO | |
| 12 | 25470046/0 | MASCHERINA CORNICE | FRAME | MASQUE CADRE | |
| 13 | 25165499/0 | CORNICE VERN. | FRAME | CADRE | |
| 14 | 25330860/0 | FIANCO SX SCOCCA | LEFT SIDE | PANNEAU GAUCHE | |
| 15 | 81400169/0 | ASS. SPIA LUMINOSA VERDE | ASSY GREEN LIGHT ALARM | ASSY ALARME LUMINEUX VERT | |
| 16 | 19263010/0 | ETICHETTA INTERRUTTORE | SWITCH LABEL | INTERRUPTEUR ETIQUETTE | |
| 17 | 33400058/0 | INTERRUTTORE BIPOLARE | BI-POLAR SWITCH | INTERRUPTEUR BIPOLAIRE | |
| 18 | 81400168/0 | ASS. SPIA LUMINOSA ROSSA | ASSY RED LIGHT ALARM | ASSY ALARME LUMINEUX ROUGE | |
| 19 | 25175237/0 | CRUSCOTTO | FRONT PANEL | PANNEAU FRONTAL | |
| 20 | 25330859/0 | FIANCO DX SCOCCA | RIGHT SIDE | PANNEAU DROITE | |
| 21 | 25410082/0 | ISOLAMENTO POLLISTIROLO DX | RIGHT INULATION | ISOLATION DROITE PANNEU ANT. | |
| 22 | 25410083/0 | ISOLAMENTO POLLISTIROLO SX | LEFT INSULATION | ISOLATION GAUCHE PANNEU ANT. | |
| 23 | 25156578/0 | CONVOGLIATORE ARIA FIANCO DX | AIR CONVOY RIGHT SIDE | CONVOYEUR AIR PANNEU LAT. DROIT | |
| 24 | 25161194/0 | COPERCHIO MACCHINA | COVER | COUVERCLE | |
| 25 | 25410084/0 | ISOLAMENTO COPERCHIO | INSULATION COVER | ISOLATION COUVERCLE | |
| 26 | 25550874/0 | PANNELLO POST. ZINCATO | BOTTOM PANEL | PANNEU DROIT ZINC. | |
| 27 | 25726141/0 | SUPP. POST. BULBO TERM. | BOTTOM BULB SUP. THERMOSTAT | POST.SUPPORT BULB THERMOSTAT | |
| 28 | 25726140/0 | SUPP. ANT. BULBO TERM. | FRONT BULB SUP. THERMOSTAT | ANTERIEUR SUPPORT BULB THERMOSTAT | |

Зип Ощепит

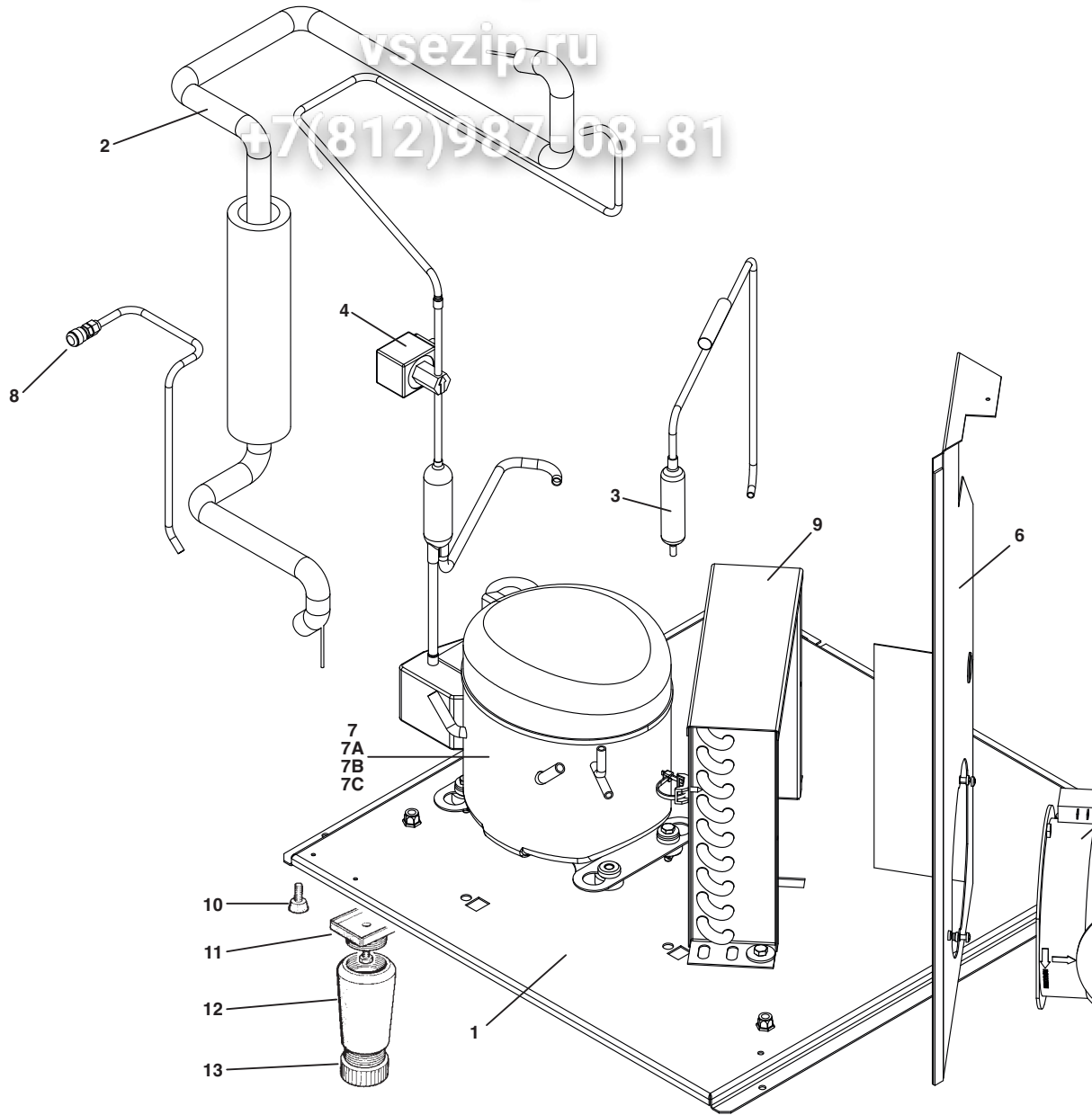
vsezip.ru

+7(812)987-08-81

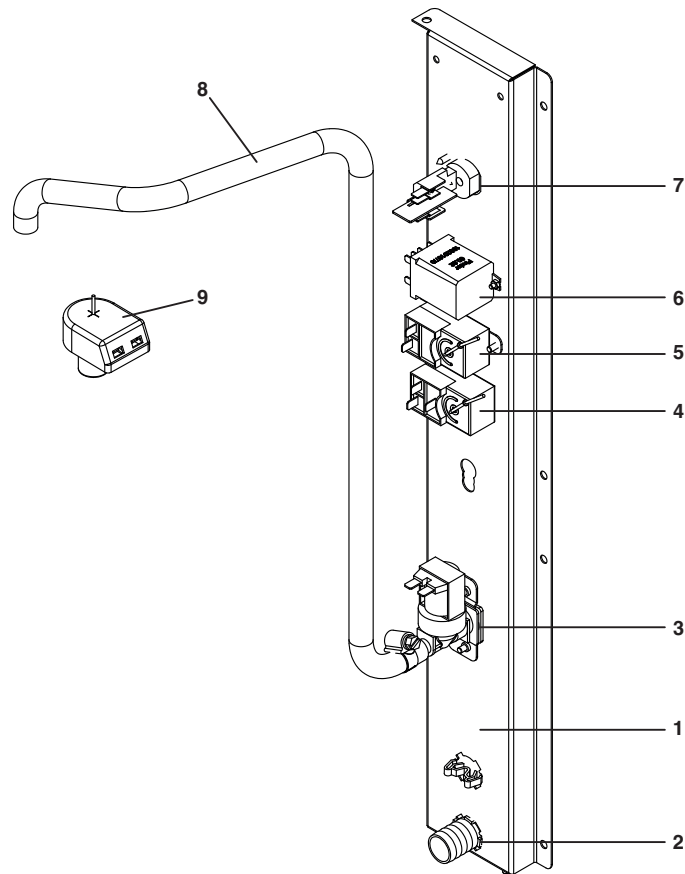


+7(812)987-08-81

| Pos. Nr. | Codice Code | Descrizione | Description | Description | Quantità Q.ty Q.tè |
|-------------|----------------|---|---|---|--------------------------|
| 1 | 25745125/0 | TELAIO | EVAPORATOR FRAME | SUPPORT DE L'EVAPORATEUR | 1 |
| 2 | 25726121/0 | SUPPORTO EVAPORATORE | SUPPORT | SUPPORT | 1 |
| 3 | 25726122/0 | SUPPORTO EVAPORATORE | SUPPORT | SUPPORT | 1 |
| 4 | 81403007/0 | ASS. BACINELLA CON LEVA | PAN ASS'Y | ENSEMBLE CUVETTE | 1 |
| 5 | 25440110/0 | LEVA | LEVER | LEVIER | 1 |
| 6 | 25474600/0 | MOLLA | SPRING | RESSORT | 1 |
| 7 | 25560256/0 | PERNO | GUDGEON | PIVOT | 1 |
| 8 | 25725429/0 | SUPPORTO | SUPPORT | SUPPORT | 1 |
| 9 | 81404024/0 | ASSIEME MOTORIDUTTORE/ DISCO/ SUPPORTO/ MICRO R-134a | MOTOR/SUPPORT/CAM MICRO ASS'Y R-134a | ENSEMBLE MOTOREDUCTEUR/ SUPPORT/ CAME/ MICRO R.-134a | 1 |
| 10 | 25260000/0 | DISCO | CAM | CAME | 1 |
| 11 | 12639300/0 | SPINA | PIN | GOUVILLE | 1 |
| 12 | 19410208/0 | MICRO | MICRO | MICRO | 1 |
| 13 | 81403025/0 | CONVOGLIATORE | DEFLECTOR | CONVOYEUR | 1 |
| 14 | 25726115/3 | SUPPORTO ALBERO PALETTE | PADDLE SHAFT SUPPORT | SUPPORT ARBRE PALETTES | 2 |
| 15 | 81402035/0 | EVAPORATORE R 134a | EVAPORATOR R 134a | EVAPORATEUR R 134a | 1 |
| 16 | 25030007/0 | ALBERO PALETTE | PADDLE SHAFT | ARBRE PALETTES | 1 |
| 17 | 25545520/2 | PALETTA | PADDLE | PALETTE | 3 |
| 18 | 19440059/1 | MOTORIDUTTORE PALETTE | PADDLE MOTOR | MOTOREDUCTEUR DES PALETTES | 1 |
| 19 | 25725433/0 | SUPPORTO MOTORIDUTTORE PALETTE | SUPPORT | SUPPORT | 1 |
| 20 | 25525419/0 | SUPPORTO | SUPPORT | SUPPORT | 1 |
| 21 | 19410209/0 | MICROIMPULSI | MICRO | MICRO | 1 |
| 22 | 81409179/0 | ASS. MICROGALLEGGIANTE | MICRO/ FLOAT BALL ASS'Y | ENSEMBLE MICRO/ FLOTTEUR | 1 |
| 23 | 25300000/0 | RACCORDO ENTRATA ACQUA | WATER INLET TUB | TUYAU ENTREE EAU | 1 |
| 24 | 25791021/0 | TUBO ACQUA | TUBE | TUYAU | 1 |
| 25 | 19280700/0 | FASCETTA | CLAMP | BANDE | 1 |
| 26 | 25820080/0 | VASCHETTA RECUPERO | PAN | BAC | 1 |
| 27 | 25791020/0 | TUBO SCARICO | DRAIN PIPE | TUYAU D'ECOULEMENT | 1 |



| Pos. Nr. | Codice Code | Descrizione | Description | Description | Quantità Q.ty Q.tè |
|-------------|----------------|------------------------------|-----------------------|---------------------------------|--------------------------|
| 1 | 25115050/0 | BASAMENTO | BASE | CHASSIS | 1 |
| 2 | 81400186/0 | ASSIEME SCAMBIATORE R134A | EXCHANGER ASS'Y R134a | ECHANGEUR R134a | 1 |
| 3 | 19300802/0 | FILTRO R134a | DRIER R134a | DESHYDRATEUR R134a | 1 |
| 4 | 19863033/0 | VALVOLA GAS | GAS VALVE | VANNE DE GAZ | 1 |
| 5 | 18562570/0 | ELETTOVENTILATORE | FAN MOTOR | VENTILATEUR | 1 |
| 6 | 25725585/0 | SUPPORTO VENTILATORE | FAN BRACKET | SUPPORT VENTILATION | |
| 7 | 19165548/0 | COMPRESSORE GL90TB - R134a | COMPRESSOR R 134a | COMPRESSOR R 134a | 1 |
| 7A | 19560132/0 | PROTETTORE R134a | PROTECTION R134a | PROTECTEUR R134a | 1 |
| 7B | 19618003/0 | RELÉ R134a | RELAY R134a. | RELAIS R134a | 1 |
| 7C | 19180464/0 | CONDENSATORE DI SPUNTO R134a | START CONDENSER R134a | CONDENSATEUR DE DEMARRAGE R134a | 1 |
| 8 | 19864901/0 | VALVOLA DI CARICA | CHARGE VALVE | VANNE DE CHARGE | 1 |
| 9 | 19177046/0 | CONDENSATORE | CONDENSER | CONDENSEUR | 1 |
| 10 | 81502119/0 | PIEDINO STANDARD | STANDARD FOOT | PIED STANDARD | 4 |
| 11 | 81400690/0 | SUPPORTO | SUPPORT | SUPPORT | 4 |
| 12 | 25460020/0 | MANICOTTO PER PIEDINO | COUPLING | RALLONGE PIED | 4 |
| 13 | 25570870/0 | PIEDINO | LEVELLING FOOT | PIED | 4 |



| Pos. Nr. | Codice Code | Descrizione | Description | Description | Quantità Q.ty Q.tè |
|-------------|----------------|------------------------------|----------------------------|----------------------------|--------------------------|
| 1 | 25726538/0 | SUPPORTO | SUPPORT | SUPPORT | 1 |
| 2 | 25690807/0 | SCARICO ACQUA | WATER DRAIN PIPE | ECOULEMENT MACHINE | 1 |
| 3 | 19865507/0 | VALVOLA ENTRATA ACQUA | WATER SOLENOID VALVE | ELECTROVANNE EAU | |
| 4 | 19797025/0 | TERMOSTATO CONDENSATORE | CONDENSER THERMOSTAT | THERMOSTAT CONDENSATEUR | |
| 5 | 19797017/0 | TERMOSTATO DEPOSITO | BIN THERMOSTAT | THERMOSTAT BAC DE STOCKAGE | |
| 6 | 19620107/0 | RELE' | RELAY | RELE' | |
| 7 | 81453493/0 | ASSIEME CAVO ALIMENTAZIONE | ASS. CABLE OF ALIMENTATION | ENS. CABLE DE ALIMENTATION | |
| 8 | 25791021/0 | TUBO RACC. VALV. ENTR. ACQUA | TUBE | TUYAU | |
| 9 | 81400175/0 | ASS. TERMOSTATO SICUREZZA | ASS.Y SECURITY THERMOSTAT | THERMOSTAT DE SÛRETE | |

Зип Общепит
vsezip.ru
+7(812)987-08-81

Castel MAC SpA

Via del Lavoro, 9 - C.P. 172
I - 31033 Castelfranco Veneto (TV) Italy
Tel. 0423 738452 - Fax 0423 722811
E-mail: service@castelmac.it
Web-site: www.castelmac.it

Cod. 71503692/0 - 03/2007

