

Зип Общепит  
vsezip.ru  
+7(812)987-08-81

# Icematic®

Spare parts list • *Catalogo ricambi*  
Catalogues pièces détachées

---



Cod. 71503692/0 - 03/2007

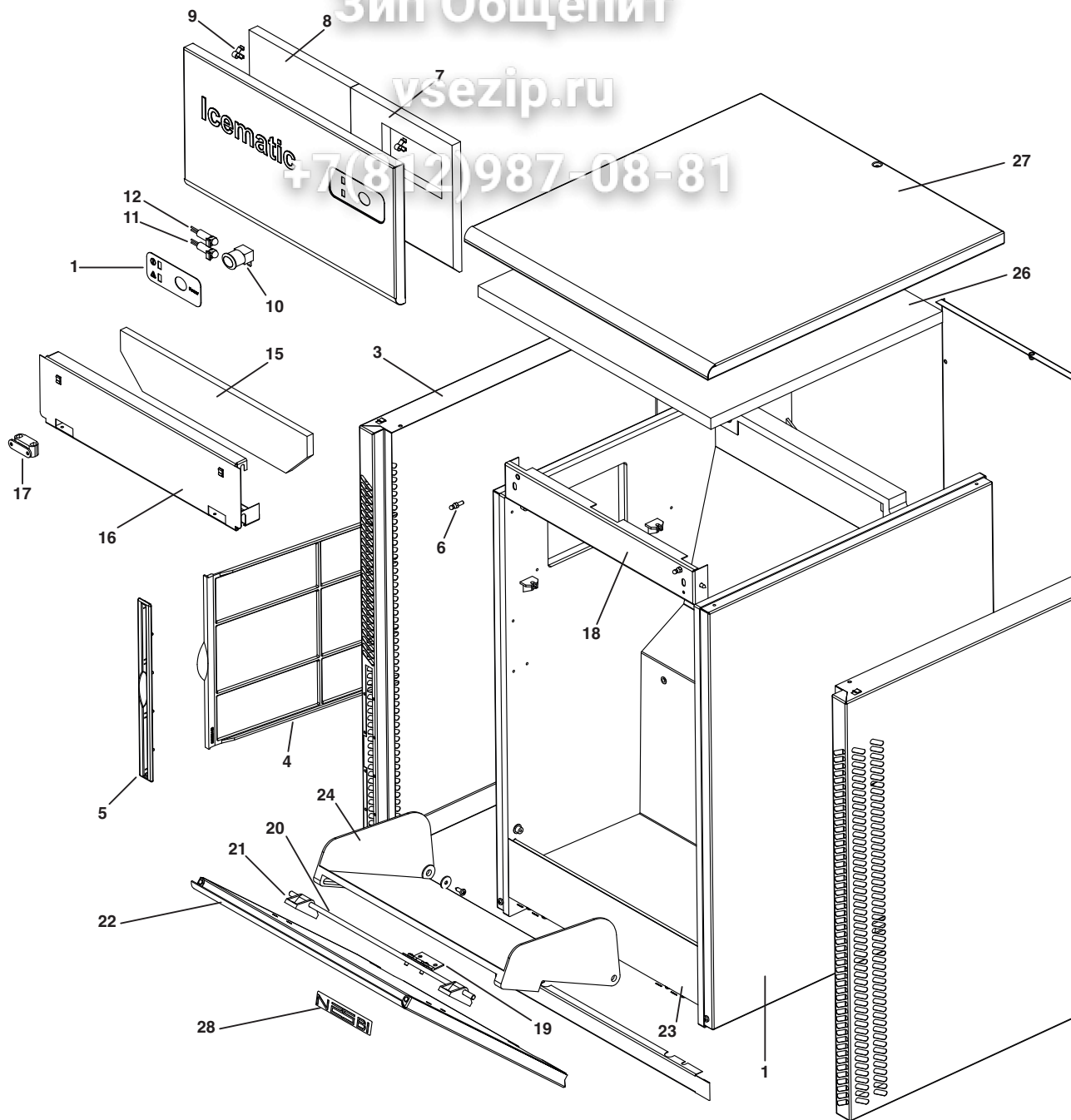
# N25 BI

R134a

Зип Общепит

vsezip.ru

+7(812)987-08-81

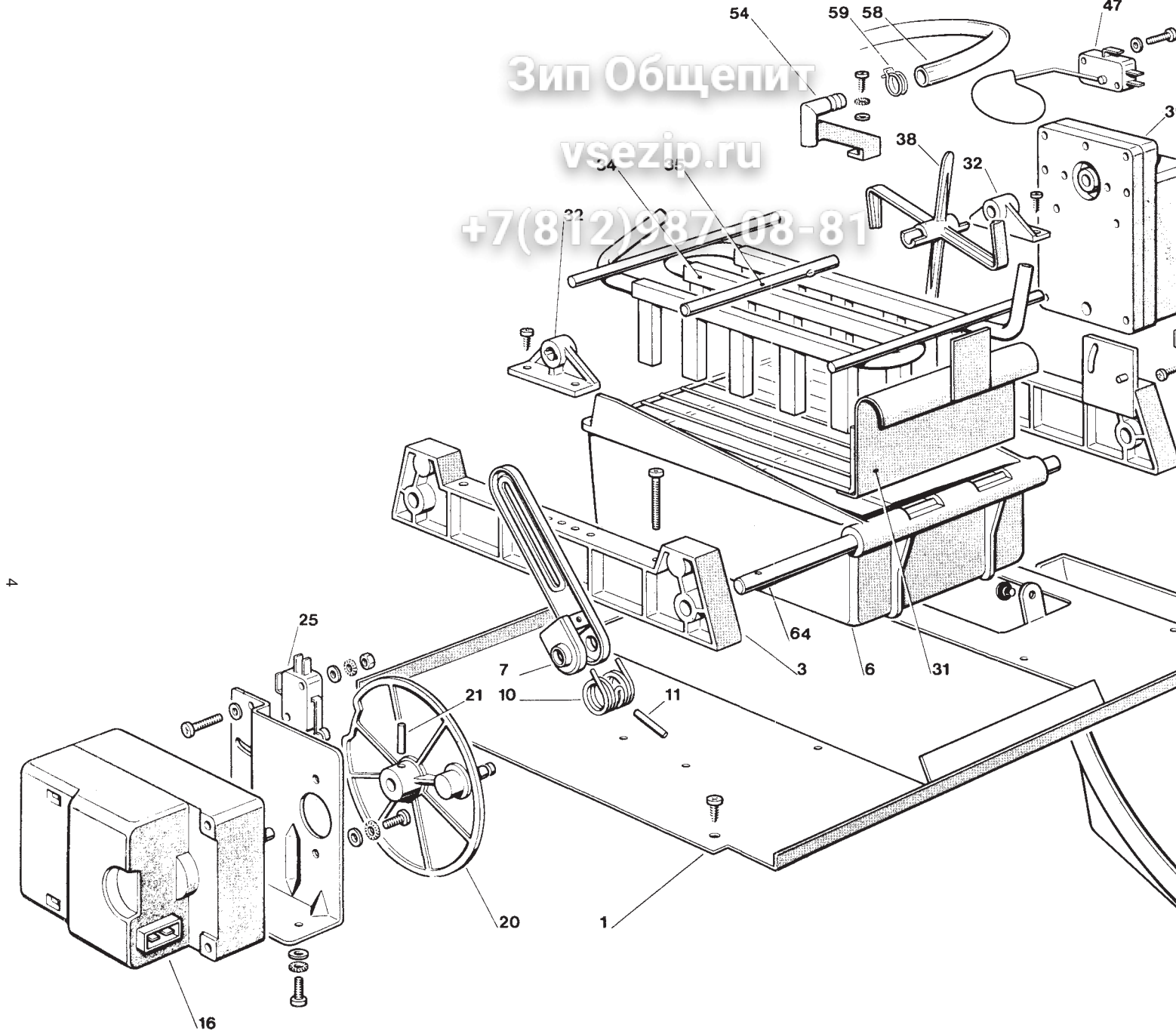


Pos. Nr.	Codice Code	Descrizione	Description	Description	Quantità Q.ty Q.te
1	81400716/0	ASS. SCOCCA MOBILE	CABINET ASS'Y	ENSEMBLEMEUBLE	
2	25330855/0	FIANCO EST. DX	RIGHT SIDE INOX	PANNEAU DROITE INOX	
3	25330856/0	FIANCO EST. SX	LEFT SIDE INOX	PANNEAU GAUCHE INOX	
4	25339011/0	FILTRO ARIA CONDENSATORE	AIR CONDENSER FILTER	FILTRE AIR CONDENSEUR	
5	25725583/0	SUPPORTO FILTRO ARIA	FILTER AIR BRACKET	SUPPORT FILTRE AIR	
6	19520102/0	PERNO FISSAGGIO	PIVOT	PIVOT FIXATION	
7	25410078/0	ISOL. POLIST. DX CRUSCOTTO	RIGHT INULATION	ISOLATION DROITE PANNEU ANT.	
8	25410079/0	ISOL. POLIST. SX CRUSCOTTO	LEFT INSULATION	ISOLATION GAUCHE PANNEU ANT.	
9	19430105/0	MOLLETTA	PEG	PINCE	
10	33400058/0	INTERRUTTORE BIPOLARE	BI-POLAR SWITCH	INTERRUPTEUR BIPOLAIRE	
11	81400168/0	SPIA LUMINOSA ROSSA	RED LIGHT	LUMINEUX ROUGE	
12	81400169/0	SPIA LUMINOSA VERDE	GREEN LIGHT	LUMINEUX VERT	
13	19263010/0	ETICHETTA INTERRUTTORE	SWITCH LABEL	ETIQUETTE INTERRUPTEUR	
14	25175236/0	CRUSCOTTO INOX	FRONT PANEL INOX	PANNEAU FRONTAL INOX	
15	25550102/0	PANNELLO ISOLAMENTO	INSULATION PANEL	PANNEU ISOLATION	
16	25553305/0	TRAVERSA INFERIORE	BOTTOM SIDE	TRAVERSE INFERIEUR	
17	19355002/0	MAGNETE UC9	MAGNET UC9	MAGNETO UC9	
18	25753241/0	TRAVERSA ANTERIORE	FRONT SIDE	TRAVERSE ANTÉRIEUR	
19	19120050/0	CERNIERA	HINGE	CHARNIERE	
20	25085096/0	ALBERINO	SHAFT	ARBRE	
21	25726279/0	SUPPORTO	SUPPORT	SUPPORT	
22	81400172/0	ASSIEME PORTA	COMPLETE DOOR	PORTE COMPLETE	
23	25753305/0	TRAVERSA INFERIORE SCOCCA	BOTTOM SIDE CABINET	TRAVERSE INFERIEURE CAROSSERIE	
24	25250099/0	DEFLETTORE	DOOR DEFLECTOR	DEFLECTEUR	
25	81400179/0	ASS. PANNELLO POSTERIORE	BACK PANEL INOX	PANNEAU ARRIERE INOX	
26	25410081/0	ISOLAMENTO COPERCHIO	INSULATION COVER	ISOLATION COUVERCLE	
27	25161193/0	COPERCHIO MACCHINA	COVER	COUVERCLE	
28	25740097/0	TARGHETTA DENOM. N25BI	LABEL N25 BI	PLAQUETTE DE DEOMINATION N25 BI	

Зип Общепит

vsezip.ru

+7(812)987-08-81



4

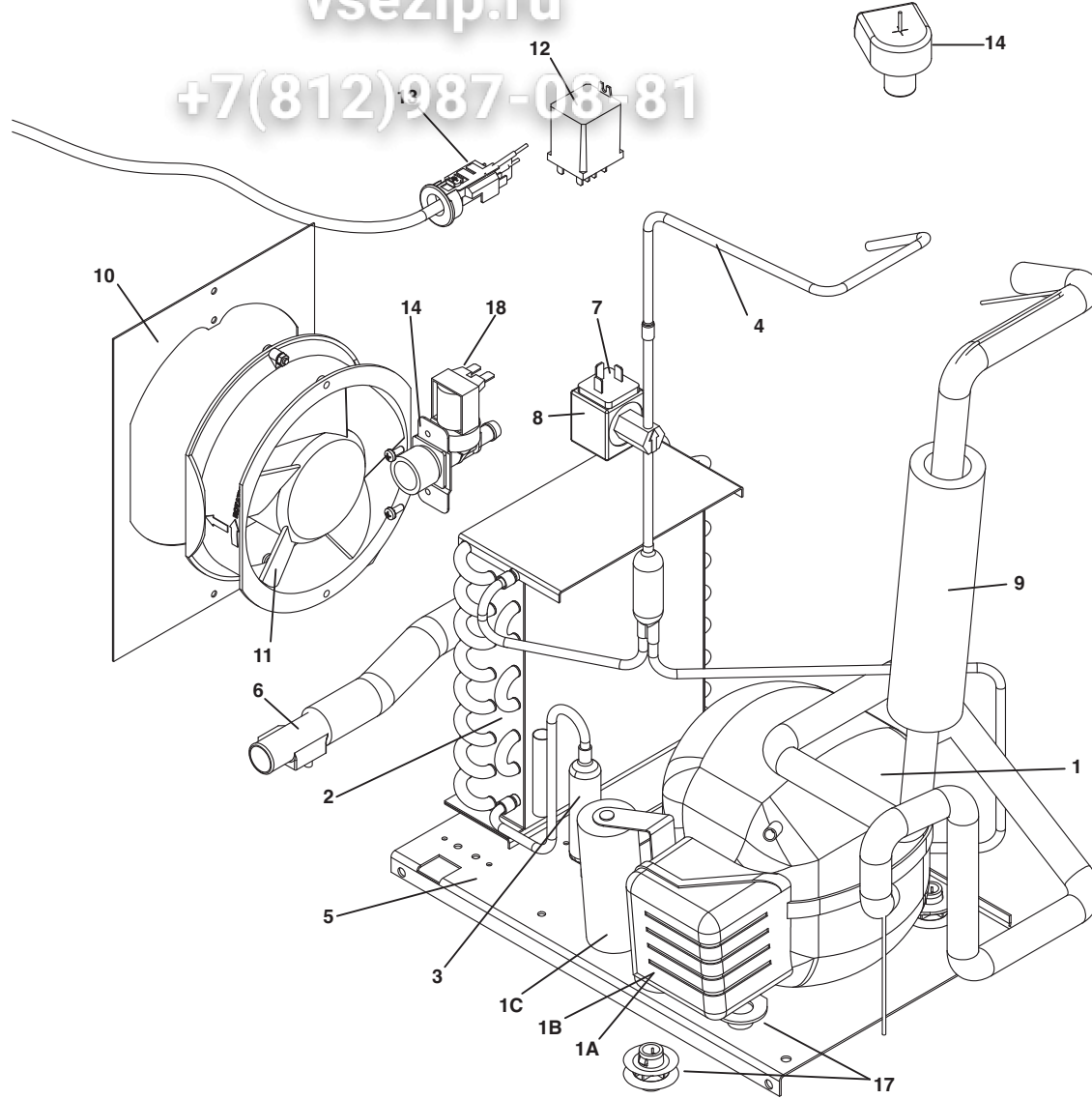
**+7(812)987-08-81**

Pos. Nr.	Codice Code	Descrizione	Description	Description	Quantità Q.ty Q.te
1	25745124/0	TELAIO EVAPORATORE	EVAPORATOR FRAME	PLAQUE SUPPORT EVAPORATEUR	1
1A	25745127/0	TELAIO EVAPORATORE (DA APRILE 2000)	EVAPORATOR FRAME (FROM APRIL 2000)	PLAQUE SUPPORT EVAPORATEUR (DEPUIS AVRIL 2000)	1
3	25726121/0	SUPPORTO EVAPORATORE	SUPPORT	SUPPORT	1
4	25726122/0	SUPPORTO EVAPORATORE	SUPPORT	SUPPORT	1
6	81401621/0	BACINELLA CON LEVERAGGI	COMPLETE TILTING PAN	BAC COMPLETE	
7	25440110/0	LEVA	LEVER	LEVIER	1
10	25474600/0	MOLLA	SPRING	RESSORT	1
11	25560256/0	PERNO	GUDGEON	PIVOT	1
16	81404024/0	ASSIEME MOTORIDUTTORE/ DISCO/ SUPPORTO/ MICRO - R 134A	MOTOR/SUPPORT/CAM MICRO ASS'Y - R 134A	ENSEMBLE MOTOREDUCTEUR/ SUPPORT/ CAME/ MICRO - R 134A	1
20	25260000/0	DISCO	CAM	CAME DE BASCULER	1
21	12639300/0	SPINA	PIN	GOUPILLE	1
25	19410208/0	MICRO	MICRO	MICRO	1
31	81403045/0	CONVOGLIATORE	ICE DEFLECTOR	CONTRE CUVETTE	1
31A	81401622/0	CONVOGLIATORE (DA APRILE 2000)	ICE DEFLECTOR (FROM APRIL 2000)	CONTRE CUVETTE (DEPUIS AVRIL 2000)	1
32	25726115/3	SUPPORTO ALBERO PALETTE	PADDLE SHAFT SUPPORT	SUPPORT ARBRE PALETTES	2
34	81401576/0	EVAPORATORE R 22 - R 134A	EVAPORATOR R 22 - R 134A	EVAPORATEUR R 22 - R 134A	1
34A	81401620/0	EVAPORATORE - R 134A (DA APRILE 2000)	EVAPORATOR - R 134A (FROM APRIL 2000)	EVAPORATEUR - R 134A (DEPUIS AVRIL 2000)	1
35	25030006/0	ALBERO PALETTE	PADDLE SHAFT	ARBRE PALETTES	1
35A	25030022/0	ALBERO PALETTE (DA APRILE 2000)	PADDLE SHAFT (FROM APRIL 2000)	ARBRE PALETTES (DEPUIS AVRIL 2000)	1
38	25545520/2	PALETTA	PADDLE	PALETTE	2
39	19440059/0	MOTORIDUTTORE PALETTE	PADDLE MOTOR	MOTOREDUCTEUR PALETTES	1
40	25725433/0	SUPPORTO MOTORIDUTTORE	PADDLE MOTOR SUPPORT	SUPPORTMOTOREDUCTEUR PALETTES	1
42	25525419/0	SUPPORTO	SUPPORT	SUPPORT	1
44	19410209/0	MICROIMPULSI	MICRO	MICRO	1
47	81409179/0	ASS. MICROGALLEGGIANTE	MICRO/ FLOAT BALL ASS'Y	ENSEMBLE MICRO/ FLOTTEUR	1
54	25300000/0	RACCORDO ENTRATA ACQUA	WATER INLET TUB	TUYAU ENTREE EAU	1
58	25791018/0	TUBO	TUBE	TUYAU	1
59	19280700/0	FASCETTA	CLAMP	BANDE	1
60	25820083/0	VASCHETTA	PAN	BAC	1
63	25780153/0	TUBO SCARICO	DRAIN PIPE	TUYAU D'ECOULEMENT	1
64	25030004/0	ALBERO BACINELLA	SHAFT	ARBRE	1
64A	25030021/0	ALBERO BACINELLA (DA APRILE 2000)	SHAFT (FROM APRIL 2000)	ARBRE (DEPUIS AVRIL 2000)	1

Зип Общепит

vsezip.ru

+7(812)987-08 81



Pos. Nr.	Codice Code	Descrizione	Description	Description	Quantità Q.ty Q.te
1	19165587/0	COMPRESSORE THB4419Y	COMPRESSOR THB4419Y	COMPRESSEUR THB4419Y	
1A	19621763/0	RELÈ COMPRESSORE MTRP 0140	RELAY COMPRESSOR MTRP 0140	RELAIS COMPRESSEUR MTRP 0140	
1B	19560228/0	PROTET. TERM. MTRP T0250	PROTECTOR MTRP T0250	PROTECTION MTRP T0250	
1C	19180620/0	CONDENSATORE START 50MF/260V	CONDENSER START 50MF/260V	CONDENSATEUR START 50MF/260V	
2	19177509/0	CONDENSATORE	CONDENSER	CONDENSATEUR	
3	19300802/0	FILTRO DISIDRATATORE	DRIER	FILTRE DESHYDRATEUR	
4	81400163/0	ASS. MANDATA A GAS	GAS ASSEMBLY	ENS. REFOULEMENT A GAS	
5	25115049/0	BASAMENTO	BASE	CHASSIS	
6	25690806/0	SCARICO MACCHINA	DICHARGE MACHINE	ECOULEMENT APPAREIL	
7	19053102/0	BOBINA PARKER	COIL PARKER	BOBINE PARKER	
8	19863033/0	VALVOLA GAS CALDO	HOT VALVE GAS	VANNE GAS CHALID	
9	81401658/0	ASS. RITORNO	ASS.Y RETURN GAS	ENS. RETOUR	
10	25725584/0	SUPPORTO VENTILAZIONE	FAN BRACKET	SUPPORT VENTILATION	
11	18562570/0	EL. VENTILATORE	FAN MOTOR	VENTILATEUR	
12	19620107/0	RELE'	RELAY	RELAIS	
13	19797017/0	TERMOSTATO DEPOSITO	BIN THERMOSTAT	THERMOSTAT CONTENEUR	
14	81400175/0	ASS. TERMOSTATO SICUREZZA	ASS. SECURITY THERMOSTAT	ASS. THERMOSTAT DE SURETE	
17	19490006/0	PIEDINI AMMORTIZZATI	COMPRESSOR FOOTS	PIEDS AMORTIS	
18	19865502/0	EL. VALVOLA ENT. ACQUA	ELECTRO VALVE H <sub>2</sub> O	ELECTRO VANNE EAU H <sub>2</sub> O	
19	19810111/0	ASS. TUBO ENT. ACQUA	WATE INLET TUBE ASS'Y	ASS. TUYAU ENTREE EAU	
20	19810114/0	TUBO SCARICO ACQUA	WATER DRAIN PIPE	ECOULEMENT D'EAU	

**Зип Общепит**  
**vsezip.ru**  
**+7(812)987-08-81**

## **Castel MAC SpA**

Via del Lavoro, 9 - C.P. 172  
I - 31033 Castelfranco Veneto (TV) Italy  
Tel. 0423 738452 - Fax 0423 722811  
E-mail: [service@castelmac.it](mailto:service@castelmac.it)  
Web-site: [www.castelmac.it](http://www.castelmac.it)

Cod. 71503692/0 - 03/2007

