

ACM55 - ACM85

Cuber with storage

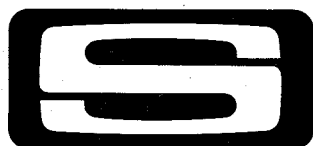
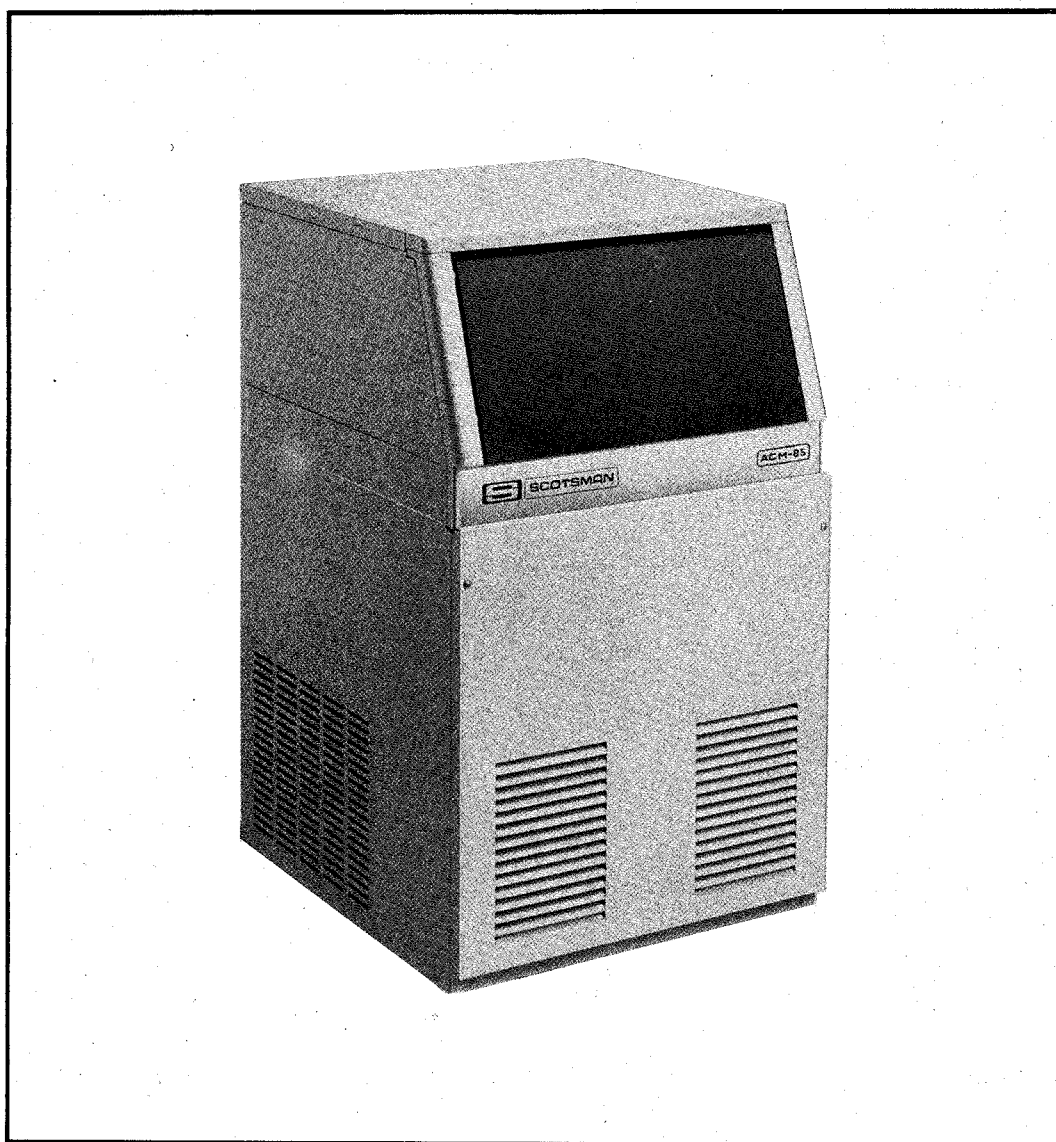
+7(812)987-08-81

Spare parts list

Catalogo ricambi

Catalogues pièces détachées

Ersatzteilkatalog



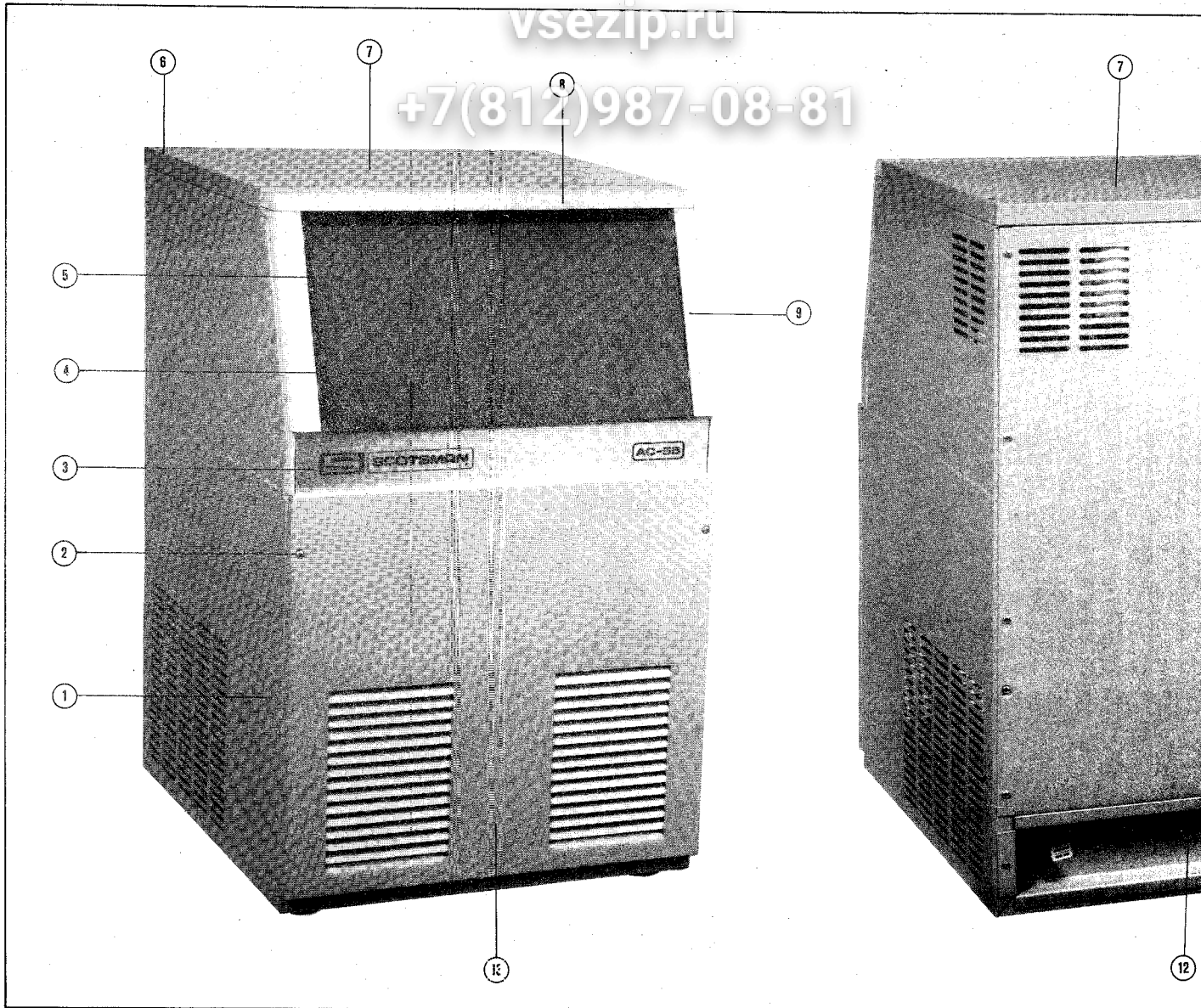
SCOTSMAN®

ICE SYSTEMS

Зип Общепит

vsezip.ru

+7(812)987-08-81



Зип Общепит

vsezip.ru

ACM 55 - ACM 85 - UNIT PANELS - ASSIEME MOBILE - ENS. CARROSSERIE - MAC

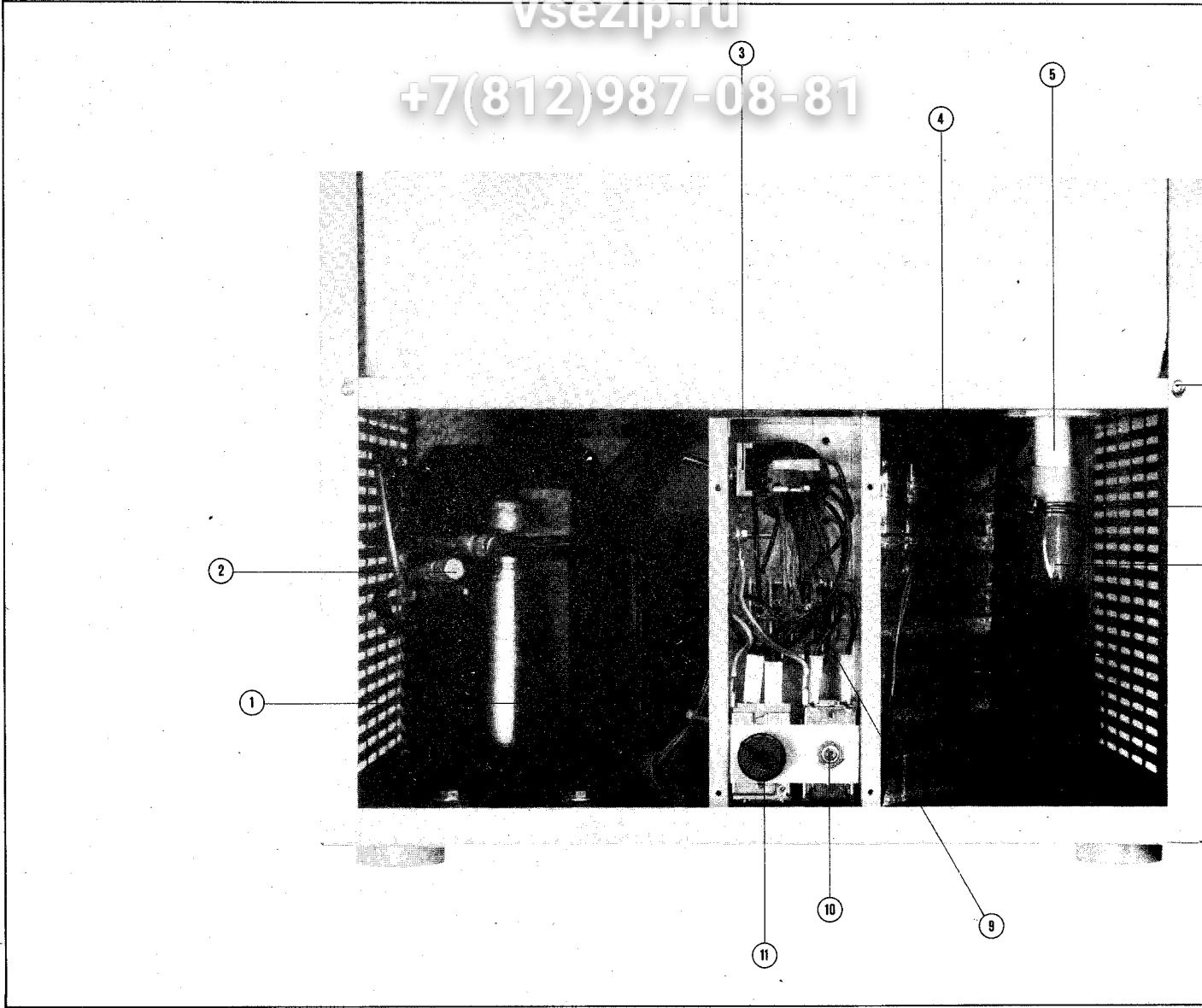
+7(812)987-08-81

ITEM NO POS. NO REP. NO REF. NO	PART NO./CODICE REFERENCE/STUECK NR.		DESCRIPTION	DESCRIZIONE	DÉSIGNATION
	ACM 55	ACM 85			
1	781306.06 —	781306.08 781306.09	CASE ASSY CASE ASSY S.S.	ASSIEME TELAIO ASSIEME TELAIO INOX	CHASSIS CHASSIS EN INOX
2	470002.04		SCREW	VITE	VIS
3	721451.01	721451.02	S.S. FRONT PLATE	PANNELLINO FRONTALE INOX	BANDE ENTRETOISE EN INOX
4	792009.05		BIN DOOR ASSY	ASSIEME SPORTELLO	ENS. PORTE CABINE
5	660351.00 660286.00		BIN DOOR PIN BUSHING	PERNO SPORTELLO BUSSOLA	PIVOT PORTE CABINE BAGUE
6	470002.04		SCREW	VITE	VIS
7	701939.00 — 650530.00 * 742092.00 *	701939.00 701939.01	TOP PANEL TOP PANEL S.S. TOP INSULATION STORAGE BIN PLASTIC COVER	PANNELLO SUPERIORE PANNELLO SUPERIORE INOX ISOLAMENTO SUPERIORE COPERTURA CELLA	PANNEAU SUPERIEUR PANNEAU SUPER. INOX ISOLATION COUVERCLE CABINE DE STO
8	660468.00		PLASTIC FRONT LINER	FRONTALINO IN PLASTICA	FRONTAL EN PLASTIC
9	782070.00		INSULATED STORAGE BIN	CELLA ISOLATA	CABINE STOCKAGE ISOLÉE
10	470007.00		SCREW	VITE	VIS
11	701938.00 —	701938.02 701938.03	REAR PANEL REAR PANEL S.S.	PANNELLO POSTERIORE PANNELLO POSTERIORE INOX	PANNEAU ARRIERE PANNEAU ARRIERE INOX
12	701945.00 — 701945.01		METAL BRKT FOR HOOK UP METAL BRKT FOR HOOK UP S.S.	SUPPORTO ATTACCHI SUPPORTO ATTACCHI INOX	SUPPORT BRANCHEMENTS SUPPORT BRANCHEMENTS IN
13	701937.00 —	701937.02 701937.03	FRONT PANEL FRONT PANEL S.S.	PANNELLO FRONTALE PANNELLO FRONTALE INOX	PANNEAU AVANT PANNEAU AVANT INOX
	660466.00 660258.00		LEG LEG LEVELLER	PIEDINI VITE DI REGOLAZIONE	PIED VIS DE RÉGLAGE DES PIEDS
			* NOT SHOWN	* NON MOSTRATO	* NON FIGURÉ

Зип Ощепит

vsezip.ru

+7(812)987-08-81



Зип Общепит

vsezip.ru

ACM 55 - CONTROL BOX AND FRONT CLOSED VIEW - SCATOLA ELETTRICA E VISTA FRONTALE INFERIORE - ELEKTRISCHE KASTEN

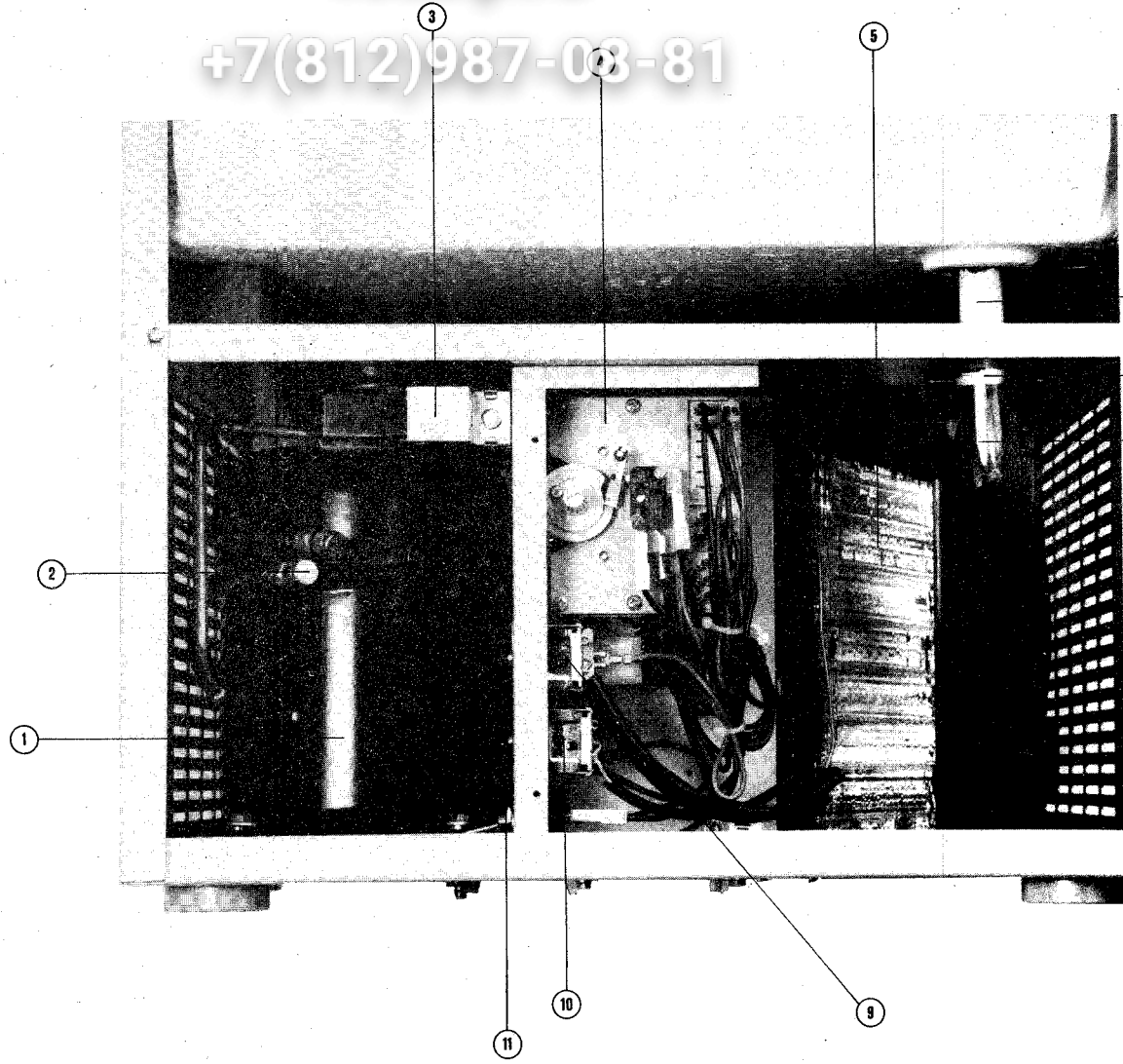
+7(812)987-08-81

ITEM NO POS. NO REP. NO REF. NO	PART NO. CODICE RÉFÉRENCE STUECK NR.	DESCRIPTION	DESCRIZIONE	DÉSIGNATION
1	670066.05 620057.25 620058.35	COMPRESSOR ASSY RELAY PROTECTOR	ASS. COMPRESSORE RELÉ PROTETTORE	ENS. COMPRESSEUR RELAIS PROTECTEUR
2	670012.00 650109.00 650106.00	VALVE PISTON VALVE BODY VALVE CAP	PISTONCINO VALVOLA CORPO VALVOLA CAPPuccio VALVOLA	PISTON CORPS DE VANNE CAPUCHON DE VANNE
3	620033.00	SWITCH	INTERRUTTORE	INTERRUPTEUR
4	620276.02	AIR COOLED CONDENSER	CONDENSATORE AD ARIA	CONDENSEUR A AIR
5	660219.01	DRAIN PORT	RACCORDO SCARICO	RACCORD EVACUATION
6	470088.00	SCREW	VITE	VIS
7	460004.00	CLAMP	FASCETTA	COLLIER
8	610148.10	DRAIN TUBE	TUBO DI SCARICO	TUYAU EVACUATOR
9	630114.01	TERMINAL BOARD	MORSETTIERA	BORNIER
10	630005.00	BIN THERMISTAT	TERMOSTATO CONTENITORE	THERMOSTAT CABINE
11	620264.02	EVAPORATOR THERMOSTAT	TERMOSTATO EVAPORATORE	THERMOSTAT ÉVAPORATEUR

Зип Общепит

vsezip.ru

+7(812)987-08-81



Зип Общепит

vsezip.ru

ACM 85 - CONTROL BOX AND FRONT CLOSED VIEW - SCATOLA ELETTRICA E VISTA FRONTALE INFERIORE - ELEKTRISCHE KASTEN

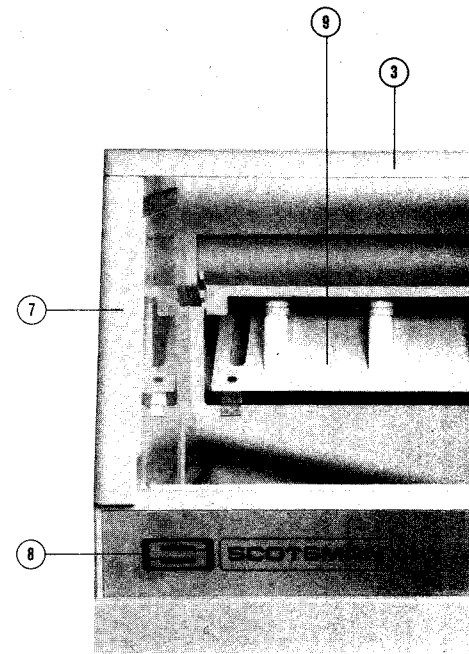
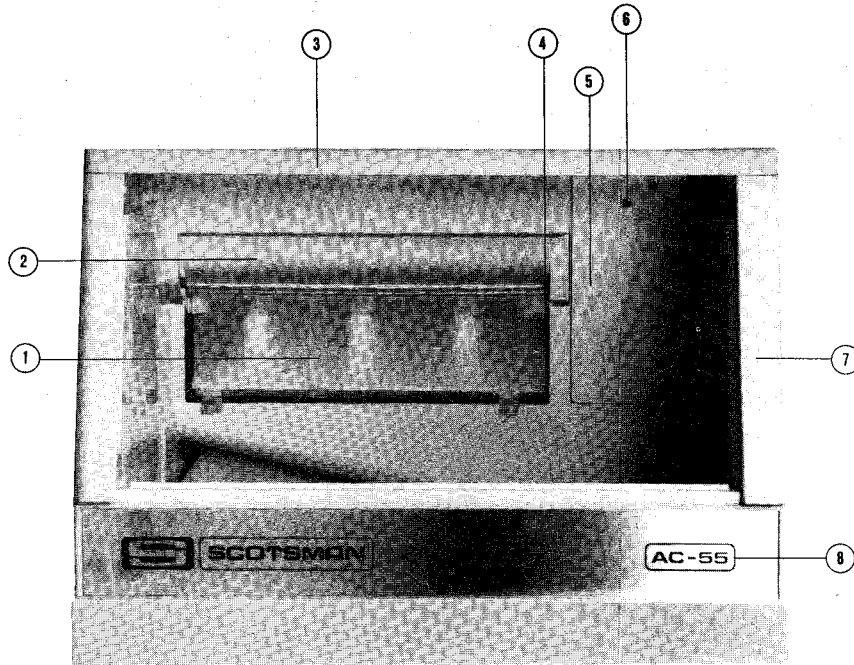
+7(812)987-08-81

ITEM NO POS. NO REP. NO REF. NO	PART NO. CODICE RÉFÉRENCE STUECK NR.	DESCRIPTION	DESCRIZIONE	DÉSIGNATION
1	670000.00 620057.03 620058.03	COMPRESSOR ASSY RELAY PROTECTOR	ASS. COMPRESSORE RELE PROTETTORE	ENS. COMPRESSEUR RELAIS PROTECTEUR
2	670012.00 650109.00 650106.00	VALVE PISTON VALVE BODY VALVE CAP	PISTONCINO VALVOLA CORPO VALVOLA CAPPuccio VALVOLA	PISTON CORPS DE VANNE CAPUCHON DE VANNE
3	620075.00	FAN PRESSURE CONTROL	PRESSOSTATO VENTILATORE	PRESSOSTAT VENTILATEUR
4	620244.09	TIMER	TIMER	PENDULE
5	620294.00	AIR COOLED CONDENSER	CONDENSATORE AD ARIA	CONDENSEUR A AIR
6	660219.01	DRAIN PORT	RACCORDO SCARICO	RACCORD EVACUATION
7	460004.00	CLAMP	FASCETTA	COLLIER
8	610148.10	DRAIN TUBE	TUBO DI SCARICO	TUYAU EVACUATION
9	620201.00	EVAPORATOR THERMOSTAT	TERMOSTATO EVAPORATORE	THERMOSTAT ÉVAPORATEUR
10	630005.00	BIN THERMOSTAT	TERMOSTATO CONTENITORE	THERMOSTAT CABINE
11	620033.00	SWITCH	INTERRUTTORE	INTERRUPTEUR

Зип Ощепит

vsezip.ru

+7(812)987-08-81



Зип Общепит

vsezip.ru

+7(812)987-08-81

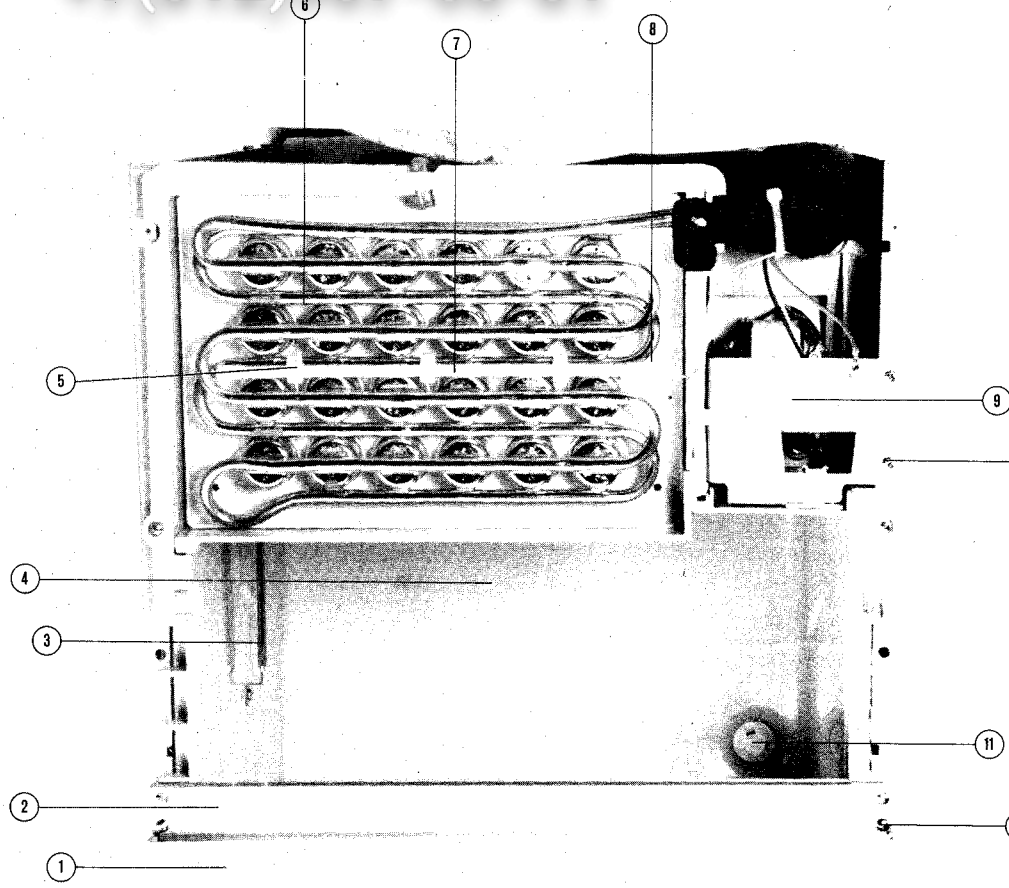
ACM 55 - ACM 85 - UPPER FRONT CLOSED VIEW - VISTA FRONTALE SUPERIORE - VUE SUPERIEURE FRO

ITEM NO POS. NO REP. NO REF. NO	PART NO./CODICE REFERENCE/STUECK NR.		DESCRIPTION	DESCRIZIONE	DÉSIGNATION
	ACM 55	ACM 85			
1	784169.09		CURTAIN	TENDINA	RIDEAU
2	660469.00		PLASTIC CURTAIN BRKT.	SUPPORTO TENDINA PLASTICA	SUPPORT RIDEAU PLAST.
3	660468.00		TOP FRONT LINER	FRONTALINO IN PLASTICA	FRONTAL EN PLASTIQUE
4	660387.01		OVERFLOW STANDPIPE	TUBO TROPPO PIENO	TUYAU TROP PLEIN
5	742101.00		PUMP PLASTIC BRACKET	SUPPORTO POLPA IN PLASTIQUE	SUPPORT POMPE EN PLAST
6	470000.06		SCREW	VITE	VIS
7	782070.00		INS. STORAGE BIN	ASS. CELLA ISOLATA	ENS. CABINE STOCKAGE ISOL
8	721451.01	7214151.02	S/S FRONT PLATE	PANNELLINO FRONTALE INOX	BANDE ENTRETOISE EN INOX
9	793117.02 660155.03 660296.02 723073.00		SPRAY PLATEN ASSY JET CUP SPINNER JET METAL HOOK	ASS. PIASTRA SPRUZZANTE CAPPUCCIO RONDELLA SPRUZZANTE GANCIO DI SUPPORTO	ENS. PULVERISAT. EAU CAPUCHON GIGLEUR BUSE GIGLEUR PLAQUE SUPPORT
10	630115.01 630116.01		FEMALE CONTACT PLASTIC SEAT FEMALE CONTACT	BLOCCHETTO FEMMINA CONTATTO FEMMINA	BOCK EN PLASTIQUE FEMELL CONTACT FEMELLE
11	793113.00 610166.01		WATER PUMP ASSY W TUBE (PUMP-SPRAY PLATEN)	ASS. POMPA TUBO (POMPA/SPRUZZATORE)	ENS. POMPE A EAU TUYAU (POMPE/RAMPE ARR
12	745007.00 630116.00 660474.00 660474.01		MALE CONTACT PLASTIC SEAT MALE CONTACT MALE CONTACT BRACKET RIGHT MALE CONTACT BRACKET LEFT	BLOCCHETTO MASCHIO CONTATTO MASCHIO SUPP. BLOCCH. MASCHIO DX SUPP. BLOCCH. MASCHIO SX	BLOC EN PLASTIQUE MÂLE CONTACT MÂLE SUPPORT BLOC MÂLE DROIT SUPPORT BLOC MÂLE GAUCH

Зип Ощепит

vsezip.ru

+7(812)987-08-81



ACM 55 - ACM 85 - TOP VIEW - VISTA SUPERIORE - VUE DE HAUT - OBENANS

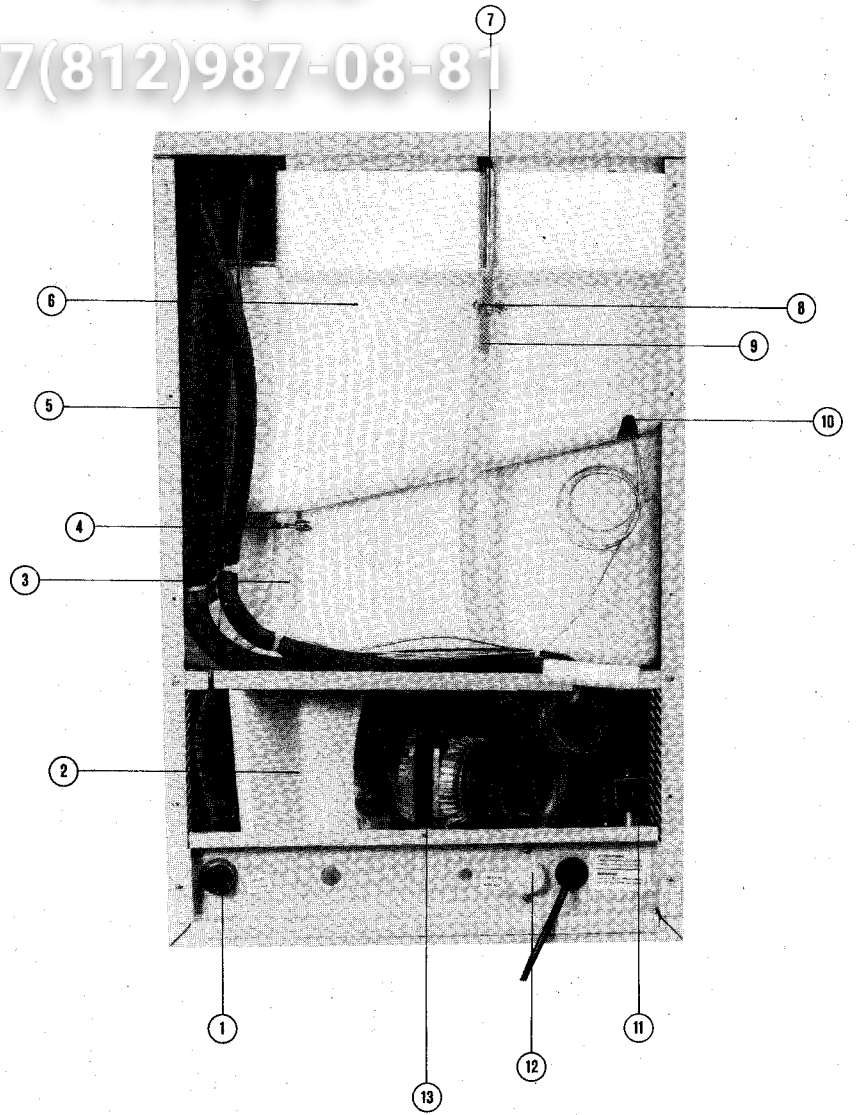
+7(812)987-08-81

ITEM NO POS. NO REP. NO REF. NO	PART NO./CODICE REFERENCE/STUECK NR.		DESCRIPTION	DESCRIZIONE	DÉSIGNATION
	ACM 55	ACM 85			
1	660468.00		PLASTIC FRONT LINER	FRONTALINO IN PLASTICA	FRONTAL EN PLASTIQUE
2	721455.00		FRONT LINER METAL BRKT	RINFORZO METALLICO	SUPPORT METALLIQUE
3	732017.00		BIN THERM. BULB HOLDER	TUBO PORTABULBO	PORTEBULBE THERM. CABINE
4	782070.00		INSULATED STORAGE BIN	CELLA ISOLATA	CABINE DE STOCKAGE ISOLÉ
5	660386.00	—	PLASTIC CLAMP	FASCETTA IN PLASTICA	COLLIER EN PLASTIQUE
6	784297.00 742033.00 *	784297.01	EVAPORATOR ASSY EVAPORATOR COVER	ASS. EVAPORATORE COPERCHIO EVAPORATORE	ENS. ÉVAPORATEUR COUVERCLE EVAPORATEUR
7	660340.03	—	PLASTIC BULB HOLDER	TUBO PORTABULBO IN PLAST.	TUBE PORTEBULBE EN PLAST
8	660465.01	—	PLASTIC CAP	TAPPO IN PLASTICA	BOUCHON EN PLASTIQUE
9	723072.00		METAL BRACKET	SUPPORTO METALLICO	SUPPORT METALLIQUE
10	470019.00		SCREW	VITE	VIS
11	660211.01 640134.00 660219.01		DRAIN FILTER O RING DRAIN FITTING	FILTRO SCARICO GUARNIZIONE RACCORDO SCARICO	FILTRE EVACUATION JOINT TORIQUE RACCORD EVACUATION
12	470000.03		SCREW	VITE	VIS
			* NOT SHOWN	* NON MOSTRATO	* NON FIGURÉ

Зип Ощепит

vsezip.ru

+7(812)987-08-81



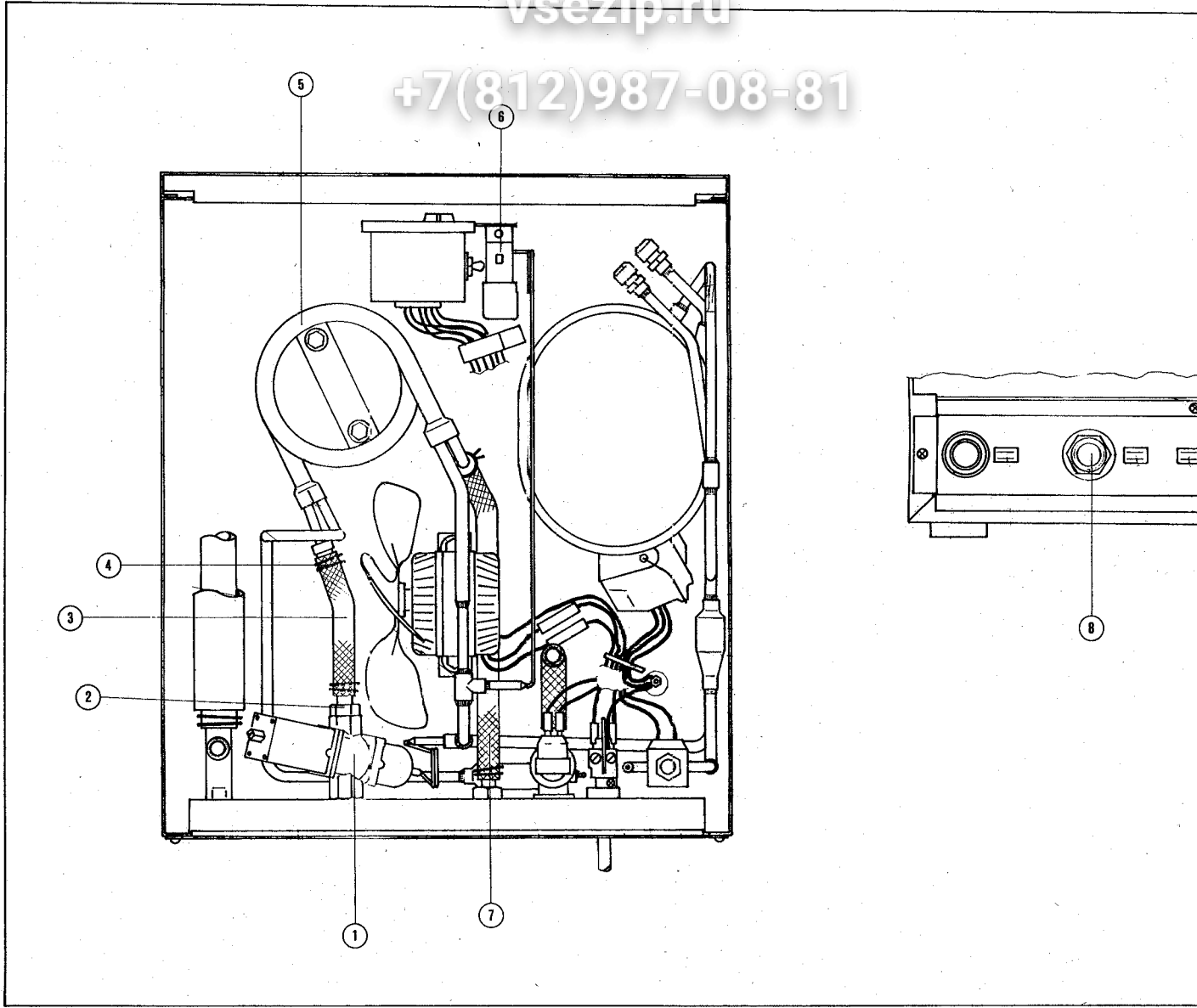
ACM 55 - ACM 85 - REAR VIEW - VISTA POSTERIORE - VUE ARRIERE - RUECK

ITEM NO POS. NO REP. NO REF. NO	PART NO./CODICE REFERENCE/ STUECK NR.		DESCRIPTION	DESCRIZIONE	DÉSIGNATION
	ACM 55	ACM 85			
1	660224.00 400071.00 400070.00		DRAIN "T" FIBER WASHER NU	RACCORDO DI SCARICO RONDELLA IN FIBRA DADO	RACCORD "T" RONDELLE FIBRE BAGUE FILETÉE
2	660484.00	660484.01	CONDENSER SHROUD	CONVOGLIATORE	CONVECTEUR DU CONDENS
3	610159.01	610159.03	OVERFLOW DRAIN TUBE	TUBO TROPPO PIENO	TUYAU TROP PLEIN
4	460004.00		CLAMP	FASCETTA	COLLIER
5	784278.01	784278.02	SJCT. LINE/ ACCLMULATOR	LINEA ASP./ACCUMULATORE	ENS. ASPIR./ ACCUMULATEU
6	782070.00		INS. STORAGE BIN	ASS. CELLA ISOLATA	ENS. CABINE STOCKAGE IS.
7	734481.03		W/INLET TUBE/COPPER	TUBO INGR. ACQUA-RAME	TUYAU ENTR. EAU-CUIVRE
8	460017.00		CLAMP	FASCETTA	COLLIER
9	743111.04		W/INLET TUBE-PLASTIC	TUBO INGR. ACQUA-PLASTICA	TUYAU ENTR. EAU - PLAST.
10	732017.00		BIN THERM. BULB HOLDER	TUBO PORTABULBO	PORTEBULBE THERM. CABIN
11	620306.21 620306.15 630003.04	620306.26 620306.28	HOT GAS VALVE ASSY H.G. VALVE COIL DRIER	ASS. VALVOLA GAS CALDO BOBINA V.G.C. FILTRO DEUMIDIFICATORE	ENS. VANNE GAZ CHAUD BOBINE V.G.C. FILTRE DESHYDRATEUR
12	650105.00 733185.00 640022.06 640110.00	640022.01	WATER INLET VALVE FLOW CONTROL BODY FLOW CONTROL C RING	VALVOLA ENTRATA ACQUA CORPO CONTROLLO DI FLUSSO CONTROLLO DI FLUSSO GUARNIZIONE OR	VANNE ENTRÉE EAU CONTRÔLEUR DE DÉBIT D'EAU CONTRÔLEUR DE DÉBIT EN CAC JOINT TORIQUE
13	704134.12		FAN MOTOR ASSY	MOTOVENTILATORE COMPL.	MOTEUR VENTILATEUR COM

Зип Общепит

vsezip.ru

+7(812)987-08-81



ACM 55 - ACM 85 - WATER COOLED VERSION - VERSIONE RAFFREDDATA AD ACQUA - VERSION REFROIDI

+7(812)987-08-81

ITEM NO POS. NO REP. NO REF. NO	PART NO./CODICE REFERENCE/STUECK NR.		DESCRIPTION	DESCRIZIONE	DÉSIGNATION
	ACM 55	ACM 85			
1	620111.00		WATER REGULATING VALVE	VALVOLA REGOL. ACQUA	VANNE REGUL. EAU PRESSOST
2	733094.01		VALVE FITTING	RACCORDO VALVOLA	RACCORD VANNE
3	743111.30	743111.32	PLASTIC TUBE	TUBO IN PLASTICA	TUYAU EN PLASTIQUE
4	460017.00		CLAMP	FASCETTA	COLLIER
5	784197.05	620331.03	CONDENSER	CONDENSATORE	CONDENSEUR
6	620231.01		HI PRESSURE CONTROL	PRESSOSTATO DI ALTA	PRESSOSTAT H.P.
7	743111.31	743111.16	PLASTIC TUBE	TUBO IN PLASTICA	TUYAU EN PLASTIQUE
8	733204.00 400031.01		WATER INLET FITTING FIBER WASHER	RACCORDO INGRESSO ACQUA RONDELLA IN FIBRA	RACCORD ARRIVÉE EAU RONDELLE FIBRE
9	660291.00 400031.00 400030.00		3/4 GAS DRAIN FITTING FIBER WASHER NUT	SCARICO ACQUA DA 3/4 GAS RONDELLA IN FIBRA DADO	RACCORD EVACUAT. 3/4 GA RONDELLE FIBRE BAGUE FILETÉE

Зип Общепит

vsezip.ru

ACM 55 - ACM 85 ELECTRIC COMPONENTS CHART - LISTA COMPONENTI ELETTRICI - LISTE DES COMPOSANTS ELECTRIQUES

MODEL MODELLO MODELE MODELL	VOLTS VOLTAGGIO TENSION SPANNUNG	BIN THERMOSTAT THERMOST. CONTENT. THERMOSTAT CABINE SPEICHER THERMOST.	EVAP. JR. THERMOSTAT THERMOST. EVAPORAT. THERMOSTAT EVAPOR. VERDAMPFER THERM.	TIMER TIMER PENDULE ZEITHUR	WATER VALVE VALV. ENTR. ACQUA VANNE ARRIVEE EAU W/EINLAUFVENTIL	GAS VALVE VALVOLA GAS CALDO VANNE GAZ CHAUD HEISS GAZ VENTIL	H.G. VALVE COIL BOBINA V.G.C. BOBINE V.G.C. H.G.V. SPULE	PUMP MOTOR ONLY MOTORE POMPA MOTEUR POMPE PUMPEN MOTOR	WATER PUMP ASSY ASSIEME POMPA ENS. POMPE A EAU WASSER PUMPE
ACM 55 AE - 1 ACM 85 AE - 1	115/60/1	630005.00	620264.02 620201.00	— 620244.10	650105.01	620306.30 620306.29	620306.17 620306.17	620283.01	793113.01
ACM 55 AE - 2 ACM 85 AE - 2	220/60/1	630005.00	620264.02 620201.00	— 620244.09	650105.00	620306.21 620306.26	620306.15 620306.28	620283.02	793113.02
ACM 55 AE - 6 ACM 85 AE - 6	220/50/1	630005.00	620264.02 620201.00	— 620244.09	650105.00	620306.21 620306.26	620306.15 620306.28	620283.00	793113.00

ACM 55 - ACM 85 COMPRESSOR CHART - LISTA COMPRESSORI - LISTE DES COMPRESSEUR - KOM

MODEL MODELLO MODELE MODELL	VOLTS VOLTAGGIO TENSION SPANNUNG	COMPRESSOR MODEL MODELLO COMPRESSORE TYPE DU COMPRESSEUR COMPRESSOR TYP	COMPRESSOR COMPL. COMPRES. COMPLETO COMPRESSEUR COMPLET KOMPRESSOR KOMPL.	COMPRESSOR RELAY RELÉ COMPRESSEUR RELAIS DU COMPRES. KOMPRESSORRELAIS	COMPRES. PROTECTOR PROTEETTORE COMPR. PROTECTEUR DU COMP. SCHUTZGERAT DES KOMP.
ACM 55 AE - 1 ACM 85 AE - 1	115/60/1	U.H. AE 59ZF9 U.H. AE 3440	670066.02 670000.01	620057.02 620057.04	620058.02 620058.04
ACM 55 AE - 2 ACM 85 AE - 2	220/60/1	U.H. AE 59ZF9 U.H. AE 3440	670066.03 670000.02	620057.08 620057.07	620058.11 620058.10
ACM 55 AE - 6 ACM 85 AE - 6	220/50/1	U.H. AE 41ZF11 U.H. AE 3440	670066.05 670000.00	620057.25 620057.03	620058.35 620058.03