



CB 416

Зип Общепит

LIST OF THE EXPLODED VIEWS

vsezip.ru

+7(812)987-08-81



SHELL ASSY

COOLING SYSTEM

HYDRAULIC CIRCUIT

ELECTRIC PARTS

Rev. 7 - 18/05/2009



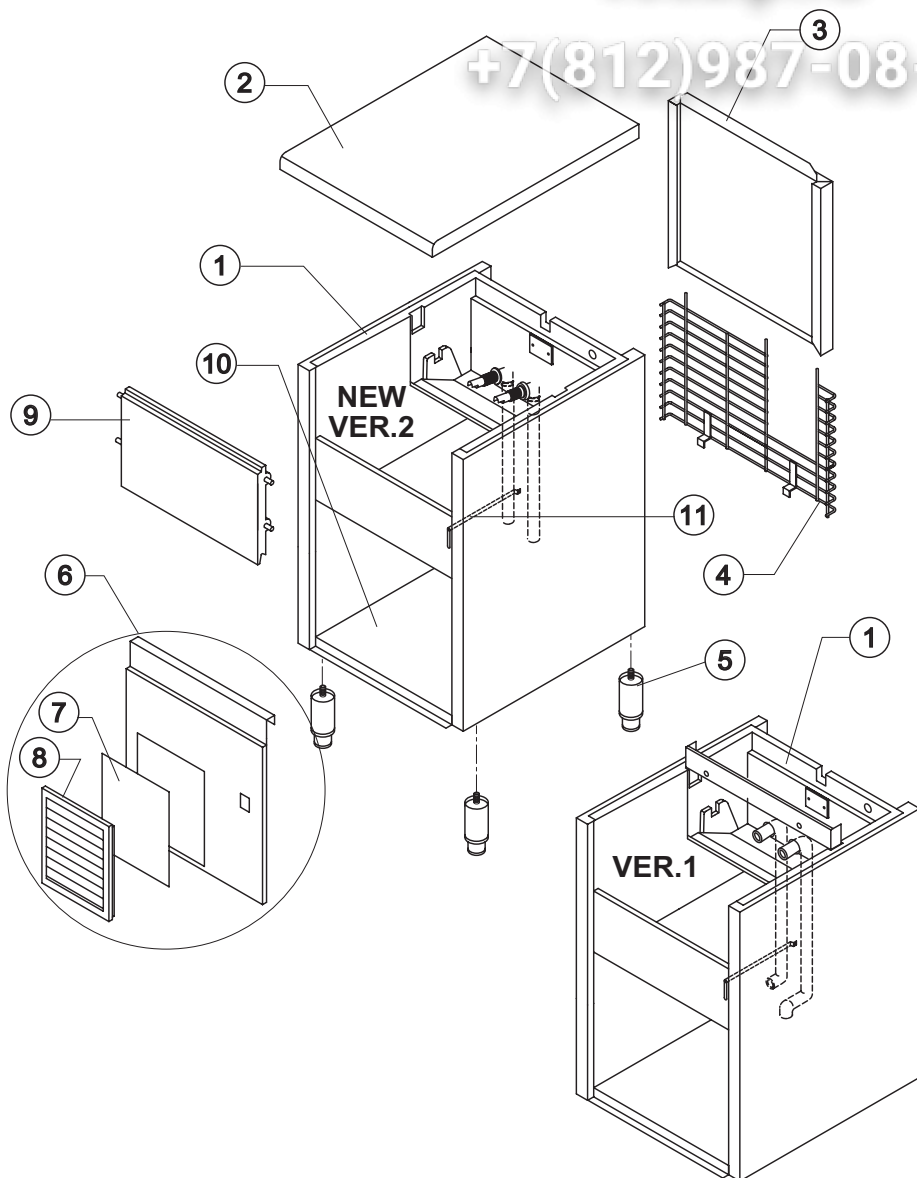
CB 416

Зип Общепит

vsezip.ru

+7(812)987-08-81

SHELL ASSY



Rev. 7 - 18/05/2009

Ref.	Spare Description	Code
1	Foamed Cabinet Assy	See Table -
2	Top Assembly	C22692
3	Rear Panel Assembly	C21182
4	Rear Grid	D12006
5	Adjustable Stainless Steel Foot	Current Version 20613
5	ABS Foot	Till s/n. 141256 10040
6	Front Grid Panel	Current Version C22507
6	Front Panel	Till s/n. 29835 22012
7	Filtering Panel	18106
8	Frame + Grid & Filter	C10205
9	Door Assy	C10297
10	Base Plate	Current Version 21279
10	Base Plate	Till s/n. 141256 21013
11	Bulb-holder Pipe	20522

Ref. 1 - Foamed Cabinet Assy
Version 1

Kind of Cube	Code
18 g. (Standard)	C11004/E
33 g.	C11004/E
13 g.	C11004/ED

Ref. 1 - Foamed Cabinet Assy
Version 2

Condensation	Code
Air	RC11004A
Water	RC11004W



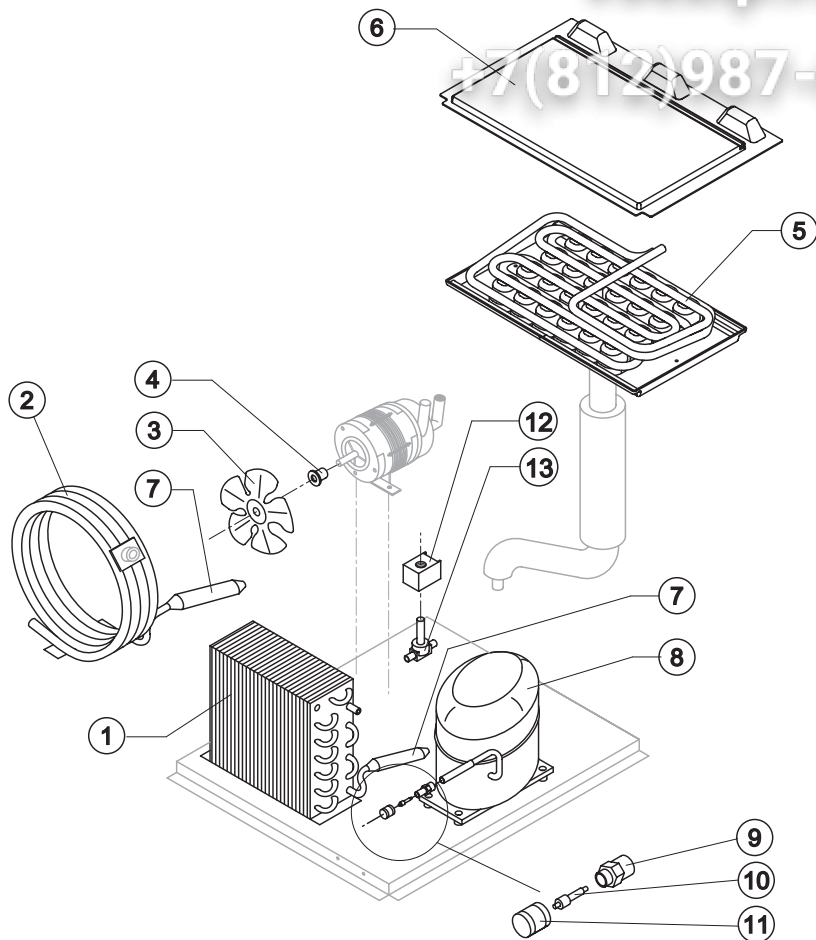
CB 416

Зип Общепит

vsezip.ru

COOLING SYSTEM

+7(812)987-08-81



Common Parts

Rif.	Spare Description	Code
3	Sucking Fan	10213
4	Hub for the Fan Fixing	10014
5	Evaporator	See Table
6	Evaporator Cover Panel	Current Version
6	Evaporator Cover Panel	Till s/n. 224519
7	Molecular Filter	14009
8	Compressor	See Table
9	Vacuum-Charge Valve Body	14007
10	Vacuum-Charge Valve Device	14005
11	Vacuum-Charge Valve Plug	14006
12	Hot Gas Valve Coil	See Table
13	Hot Gas Valve Body	20410

Parts for Air-Cooled Version Only

Rif.	Spare Description	Code
1	Air Condenser	20019

Parts for Water-Cooled Version Only

Rif.	Spare Description	Code
2	Water Condenser	14014

Ref. 5 - Evaporator

Kind of Cube	Code
18 g. (Standard)	D10046
33 g.	D10089
13 g.	D10417
42 g.	D10465

Ref. 8 - Compressor

Tension	Code
T11	23437
T12	23495A
T13	23678
T19	23678

Ref. 12 - Hot Gas Valve Coil

Tension	Code
T11	23091
T12	23091
T13	23256
T19	23256

Rev. 7 - 18/05/2009



CB 416

Зип Общепит

vsezip.ru

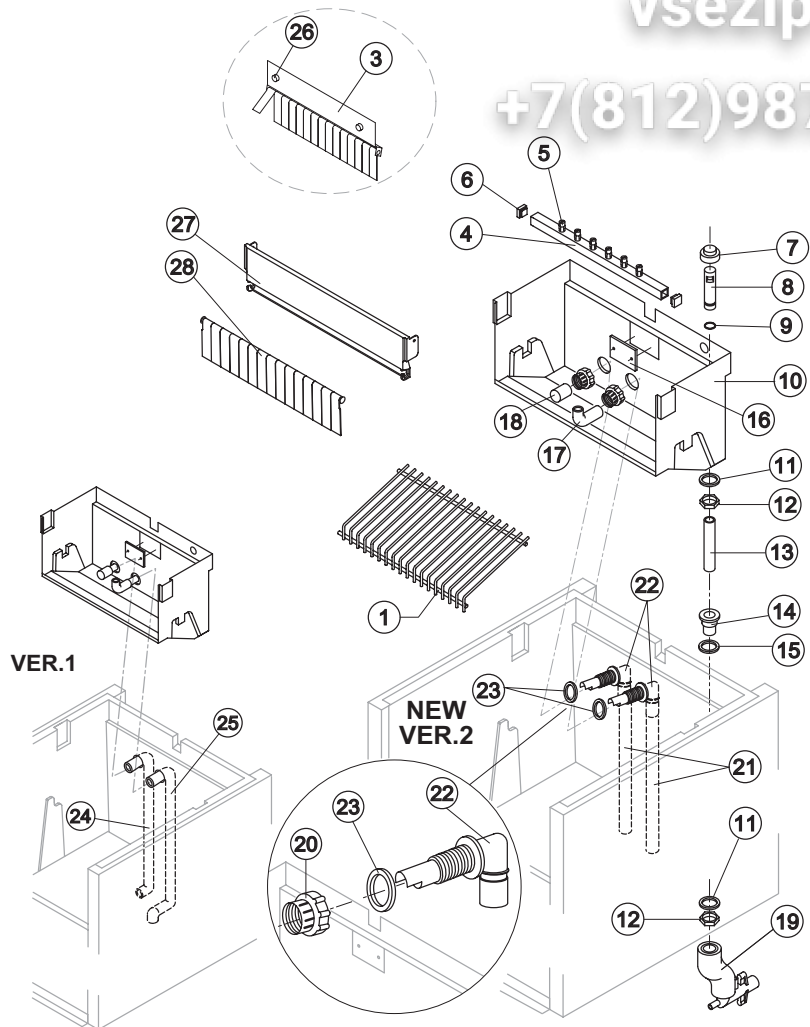
HYDRAULIC CIRCUIT

+7(812)987-08-81

Common Parts

Ref.	Spare Description	Code
1	Ice Cubes Slide	See Table
3	Panel with Flags	Till s/n. 380157
4	Sprayers Bar Assy	See Table
5	Sprayer	D20002
6	Sprayers Bar Plug	10012
7	Overflow Cap	10305
8	Overflow Pipe	10133
9	OR Gasket for Overflow Pipe	20233
10	Inner Basin	10253
11	Semirigid Polyethylene Gasket	13007
12	Bin Discharge Nut	10096
13	Overflow Pipe	Current Version
13	Overflow Pipe	Till s/n. 64147
14	Water Outlet Nipple	10472
15	Silicone Gasket	13006
16	Slide Keep Plate	10009
17	Sprayers Feeding Pipe	13005
18	Pump Suction Filter	20005
20	Fittings Locking Ring	Version 2
20	Fittings Locking Ring	10405
21	Pump Suction/Delivery Pipe	Version 2
21	Pump Suction/Delivery Pipe	13138
22	Fitting for the Pump Suction/Delivery Pipes	Version 2
22	Fitting for the Pump Suction/Delivery Pipes	10404
23	Gasket of the Pump Suction/Delivery Pipes	Version 2
23	Gasket of the Pump Suction/Delivery Pipes	13143
24	Pump Suction Pipe	Version 1
24	Pump Suction Pipe	13013
25	Pump Delivery Pipe	Version 1
25	Pump Delivery Pipe	13014
26	Fixing Screw	Till s/n. 380157
26	Fixing Screw	20009
27	Flags ABS Support	Current Version
27	Flags ABS Support	10526
28	Rod with Flags	Current Version
28	Rod with Flags	C10534

Rev. 7 - 18/05/2009



Ref. 1 - Ice Cube Slide

Kind of Cube	Code
18 g. (Standard)	D12008
33 g.	D12030
13 g.	D12038
42 g.	D12030

Ref. 4 - Sprayers Bar

Kind of Cube	Code
18 g. (Standard)	C20029
33 g.	C20155
13 g.	C20189
42 g.	C20155

Parts for Air Cooled Version Only

Ref.	Spare Description	Code
19	Discharges Manifold	C10006

Parts for Water Cooled Version Only

Ref.	Spare Description	Code
19	Discharges Manifold	C26452

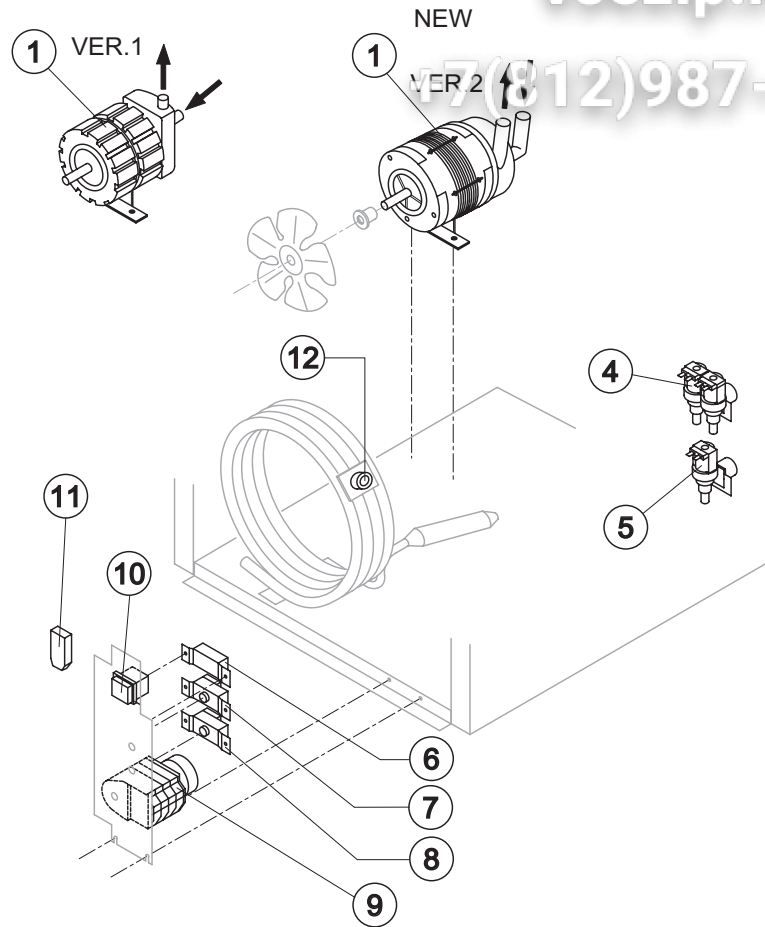


CB 416

Зип Общепит

vsezip.ru

ELECTRIC PARTS



Common Parts

Ref.	Spare Description	Code
	Pump	See Table
7	Bin Thermostat	R23005
8	Evaporator Thermostat	R23591
9	Timer	See Table
10	Green Light Switch (On-Off)	23327

Parts for Air-Cooled Version Only

Ref.	Spare Description	Code
5	1 Way- Water Inlet Valve	See Table

Parts for Water-Cooled Version Only

Ref.	Spare Description	Code
4	2 Ways Water Inlet Valve	See Table
6	Condenser Pressure Switch	See Table
11	Anti Radio Interference Filter	Only T11
12	Safety Thermostat	C23114

Ref. 1 - Pump

Tension	Version 1	Version 2
T11	23002	23377
T12	23002	23377
T13	23264	23663
T19	23264	23663

Ref. 4 - 2 Ways- Water Inlet Valve

Tension	Code
T11	23010
T12	23010
T13	23261
T19	23261

Ref. 5 - 1 Way- Water Inlet Valve

Tension	Code
T11	23001
T12	23001
T13	23260
T19	23260

Ref. 6 - Cond. Pressure Switch

Tension	Code
T11	23175
T12	23175
T13	23175
T19	23680

Ref. 9 - Timer

Tension	18 g Cube	33 g Cube	13 g Cube	42 g Cube
T11	23222	23248	23247	23780
T12	23248	23780	23247	23780
T13	23259	23786	23258	23786
T19	23259	23786	23258	23786

Rev. 7 - 18/05/2009