



**GB 902**

Зип Общепит

# LIST OF THE EXPLODED VIEWS

vsezip.ru

+7(812)987-08-81



*SHELL ASSY*

*COOLING SYSTEM*

*EVAPORATOR*

*HYDRAULIC CIRCUIT*

*ELECTRIC PARTS*

Rev. 7 - 20/05/2009



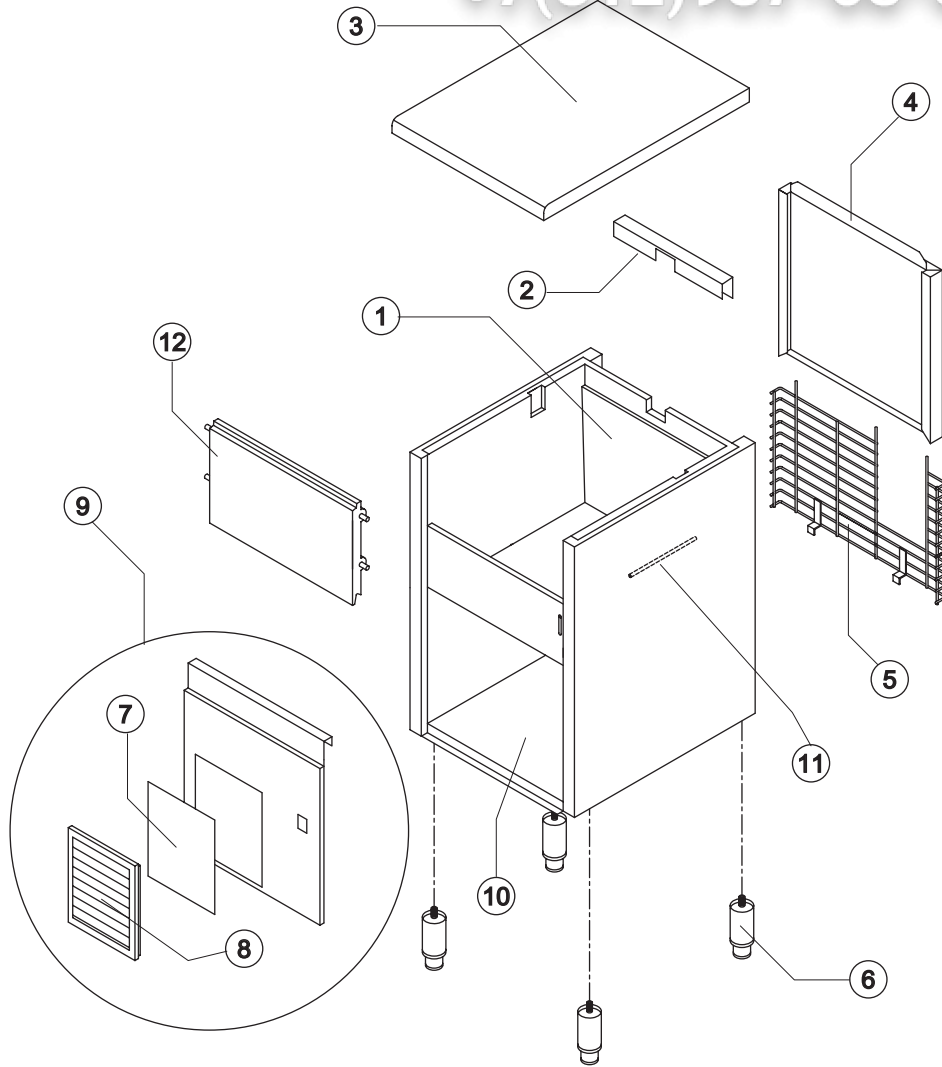
# GB 902

## Зип Общепит

vsezip.ru

# SHELL ASSY

### +7(812)987-08-81



Ref.	Spare Description	Code
1	Foamed Cabinet Assy	See Table
2	Cover for Ice Exhaust	22590
3	Top Assembly	C22689
4	Rear Panel Assembly	C21215
5	Rear Grid	D12014
6	Adjustable Stainless Steel Foot	Current Version
6	ABS Foot	Till s/n. 142318
7	Filtering Panel	18106
8	Frame + Grid & Filter	C10205
9	Front Grid Panel	C22507
10	Base Plate	Current Version
10	Base Plate	Till s/n. 142318
11	Bulbe-holder Pipe	Current Version
11	Bulbe-holder Pipe	Till s/n. 443562
12	Door Assy	C10297

#### Ref. 1 - Foamed Cabinet Assy

Condensation	Code
Air	C11096A
Water	C11096W



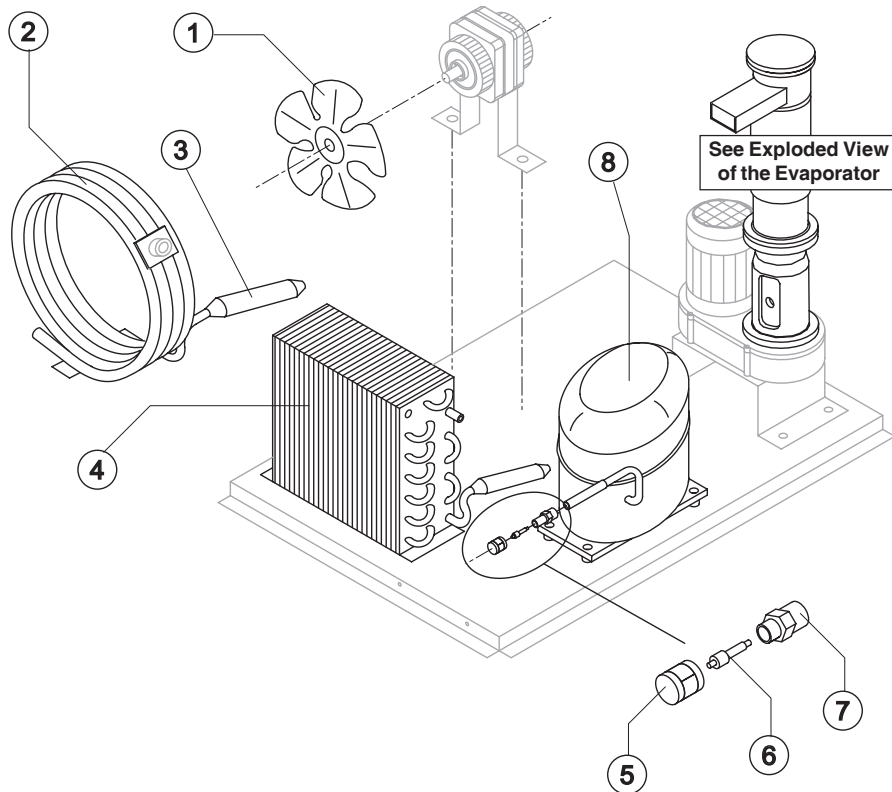
# GB 902

## Зип Общепит

vsezip.ru

+7(812)987-08-81

# COOLING SYSTEM



### Common Parts

Ref.	Spare Description	Code
3	Molecular Drier	14009
5	Vacuum-Charge Valve Plug	14006
6	Vacuum-Charge Valve Device	14005
7	Vacuum-Charge Valve Body	14007
8	Compressor	See Table

### Parts for Air-Cooled Version Only

Ref.	Spare Description	Code
1	Sucking Fan	See Table
4	Air Condenser	20283

### Parts for Water-Cooled Version Only

Ref.	Spare Description	Code
1	Sucking Fan	10213
2	Water Condenser	14057

### Ref. 1 - Sucking Fan

Tension	Code
T11	20096
T12	20095
T13	20095
T19	20095

### Ref. 8 - Compressor

Tension	Code
T11	23441
T12	23494
T13	23446
T19	23446

Rev. 7 - 20/05/2009



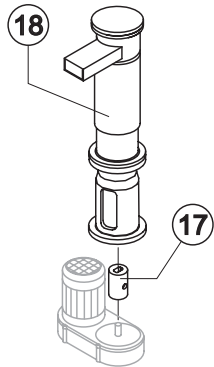
**GB 902**

Зип Общепит

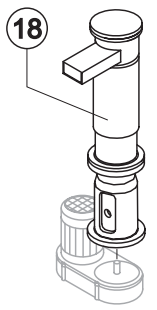
vsezip.ru

**EVAPORATOR**

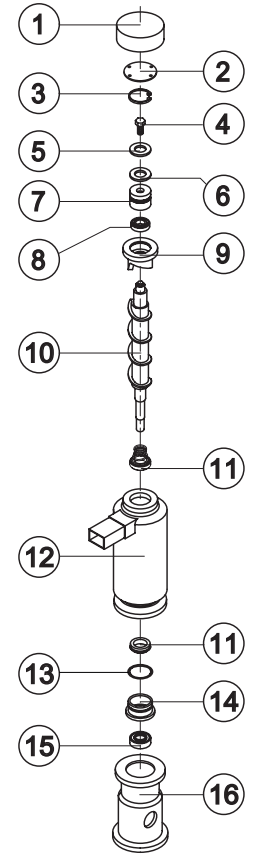
Current Version +7(812)987-08-81 Till s/n. 157640



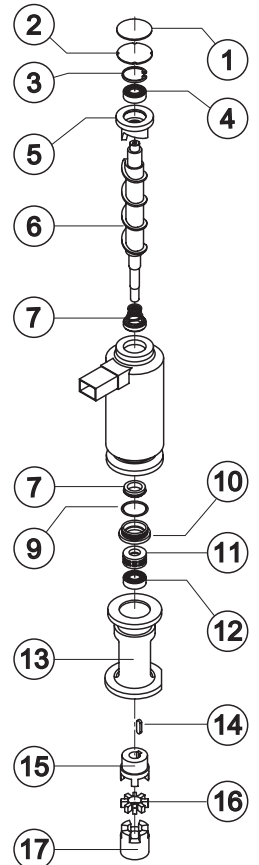
**C11140.**



**KITNEVGB**



**For Complete Evaporator, order C11140.**



**For Complete Evaporator, order KITNEVGB**

Ref.	Spare Description (Current Version)	Code
1	Insulating Cap	Current Version 18170
1	Insulating Cap	Till s/n. 180719 18164
2	Closing Disk	22825
3	Seeger	20043
4	Stainless Steel Screw	Current Version 20663
4	Stainless Steel Screw	Till s/n. 161504 15093
5	Shimming Disk	22826
6	Self-Lubricating Disk	20631
7	Stainless Steel Thrust Bearing	20686
8	OR Gasket 3087	Current Version 20688
8	Seal Ring	Till s/n. 211897 20632
9	Ice Breaker	20626
10	Auger	Current Version 20783
10	Auger with Screw	Till s/n. 238343 C20783
11	Ceramic Seal	20937
12	Insulated Evaporator	C11107
13	OR Gasket 3162 NBR70	20429
14	Reduction Ring	Current Version 20785
14	Reduction Ring	Till s/n. 238343 20624
15	Stainless Steel Bearing	Current Version 20782
15	Stainless Steel Bearing	Till s/n. 238343 20045
16	Flange	20629
17	Joint	Current Version D20784
17	Joint	Till s/n. 238343 D20630
18	Evaporator Assy	Current Version C11140
18	Evaporator Assy	Till s/n. 238343 KITNEVGB

Ref.	Spare Description (Till s/n.157640)	Code
1	Insulating Sponge	18116
2	Closing Disk	22588
3	Seeger Ring	20434
4	Stainless Steel Upper Bearing	20433
5	Ice Breaker	20440
6	Auger	20439
7	Ceramic Seal	20428
9	OR Gasket 3162 NBR70	20429
10	Reduction Ring	20427
11	Stainless Steel Thrust Bearing	20049
12	Stainless Steel Bearing	20045
13	Machined Joint Flange	E20438
14	Key	20431
15	Semi-Joint	D20430
16	Vibration-Damping Elastomer	20455
17	Semi-Joint	D20454
18	Evaporator Assy	ex C11095 KITNEVGB

Rev. 7 - 20/05/2009



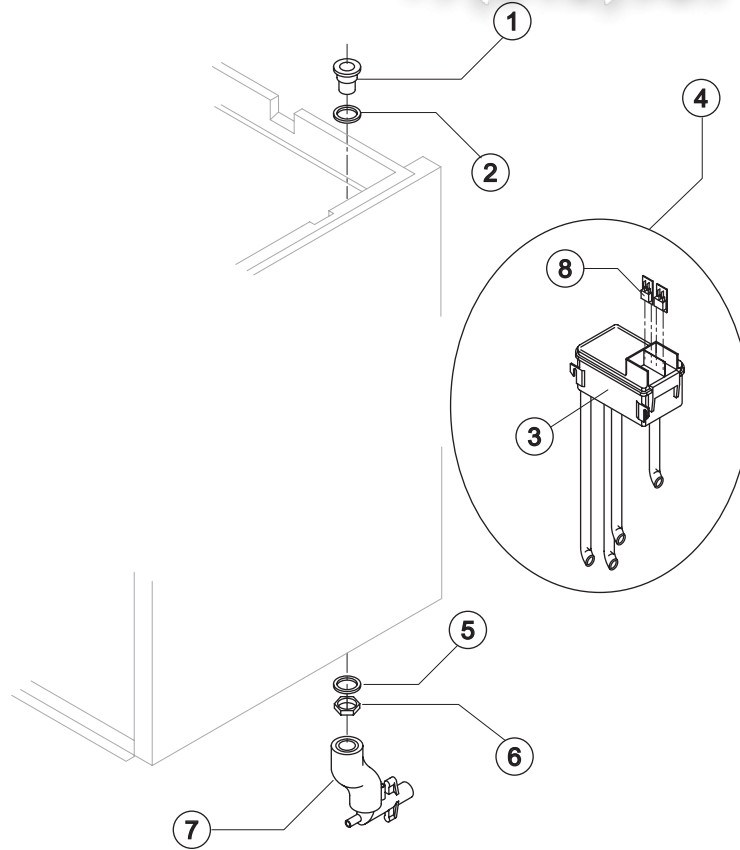
# GB 902

## Зип Общепит

vsezip.ru

# HYDRAULIC CIRCUIT

### +7(812)987-08-81



#### Common Parts

Ref.	Spare Description	Code
1	Water Outlet Nipple	10472
2	Silicone Gasket	13006
3	Double Switch Basin	10145
4	Double Switch Basin Assembly	C10164GB
5	Semirigid Polyethylene Gasket	13007
6	Bin Discharge Nut	10096
8	Microswitch	23055

#### Parts for Air-Cooled Version Only

Ref.	Spare Description	Code
7	Discharges Manifold	C10235

#### Parts for Water-Cooled Version Only

Ref.	Spare Description	Code
7	Discharges Manifold	C10240



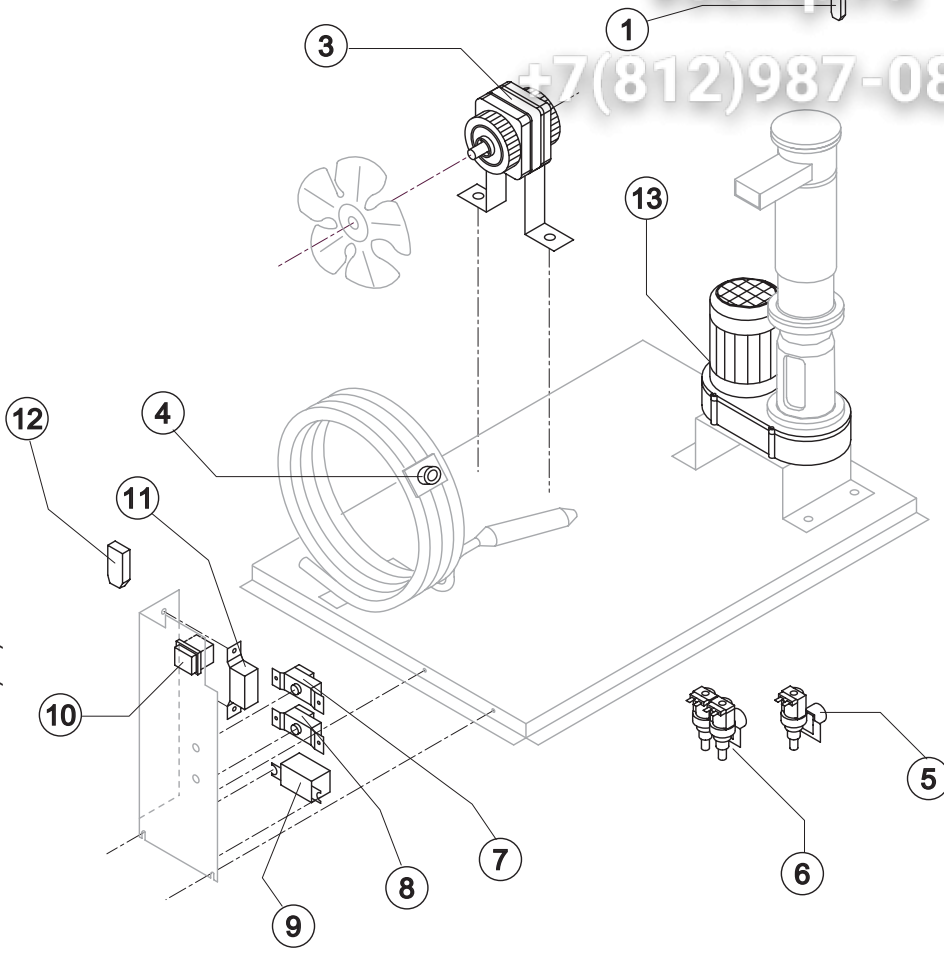
**GB 902**

**Зип Общепит**

vsezip.ru

**ELECTRIC PARTS**

+7(812)987-08-81



**Common Parts**

Ref.	Spare Description	Tension	Code
1	Anti Radio Interference Filter	T11	C23457
3	Fan Motor	See Table	-
7	Bin Thermostat		R23005
8	Evaporator Thermostat		R23034
9	Relay	See Table	-
10	Green Light Switch (On-Off)		23327
11	Condenser Pressure Switch	See Table	-
12	Anti Radio Interference Filter	T11	C23459
13	Gearmotor	See Table	-

**Parts for Air-Cooled Version Only**

Ref.	Spare Description	Tension	Code
5	1 Way- Water Inlet Valve	See Table	-

**Parts for Water-Cooled Version Only**

Ref.	Spare Description	Tension	Code
4	Safety Thermostat		C23114
6	2 Ways- Water Inlet Valve	See Table	-

Rev. 7 - 20/05/2009

**Ref. 6 - 2 Ways-Water Inlet Valve**

Tension	Code
T11	23116
T12	23116
T13	23322
T19	23322

**Ref. 9 - Relay**

Tension	Code
T11	23190
T12	23190
T13	23557
T19	23557

**Ref. 11 - Cond. Pressure Switch**

Tension	Code
T11	23175
T12	23175
T13	23175
T19	23680

**Ref. 13 - Gearmotor**

Tension	Code
T11	23532
T12	23532
T13	23556
T19	23556

**Ref. 3 - Fan Motor**

Tension	Code
T11	23029
T12	23029
T13	23683
T19	23683

**Ref. 5 - 1 Way- Water Inlet Valve**

Tension	Code
T11	23115
T12	23115
T13	23410
T19	23410