

MOD:XEBC-06EU-EPRM



ENGLISH

TECHNICAL DATA

- 01 POWER
- 03 FREQUENCY
- 04 POWER SUPPLY CABLE TYPE
- 05 EXTERNAL Ø OF POWER SUPPLY CABLE
- 06 VOLTAGE / POWER CABLE SECTION / CURRENT

14 kW
50 / 60 Hz
H07RN-F
16 mm
380-415 V~3PH+N+PE
5G x 2,5 mm²
Circuit Breaker 25 A
I1=20 A - I2=20 A - I3=22 A - In=2 A

220-240 V~3PH+PE
4G x 6 mm²
Circuit Breaker 40 A
I1=36 A - I2=36 A - I3=36 A - In=

220-240 V~1PH+PE (Kit required)
3G x 10 mm²
Circuit Breaker 63 A
I1=61.5 A - I2= - I3= - In=61.5 A

- 10 WATER PRESSURE
- 11 MAX FOOD LOAD
- 13 WATER MAX CONSUMPTION
- 02 NOMINAL HEAT INPUT
- 18 CAVITY DIMENSIONS (W - D - H)
- 20 IP PROTECTION CLASS

150-600 kPa / 21-87 psi kPa
30 kg
9,8 l/h @ 200 kPa
13,5 kW
716x561x560 mm
X4

ITALIANO

- 01 POTENZA
- 03 FREQUENZA
- 04 TIPO DI CAVO ALIMENTAZIONE
- 05 Ø ESTERNO CAVO DI ALIMENTAZIONE
- 06 TENSIONE / SEZIONE CAVI ALIMENTAZIONE / CORRENTE
- 10 PRESSIONE ACQUA
- 11 CARICA MAX CIBO
- 13 CONSUMO MAX ACQUA
- 02 POTENZA TERMICA NOMINALE
- 18 DIMENSIONI CAMERA COTTURA (L - P - H)
- 20 GRADO PROTEZIONE IP

FRANCAIS

- 01 PUISSANCE ELECTRIQUE
- 03 FREQUENCE
- 04 TYPE DE CABLE D'ALIMENTATION
- 05 Ø EXTERNE DU CABLE D'ALIMENTATION
- 06 TENSION / SECTION CABLE D'ALIM.
- 10 PRESSION DE L'EAU
- 11 CHARGE MAXIMALE D'ALIMENT
- 13 CONSOMMATION MAX DE L'EAU
- 02 DEBIT THERMIQUE NOMINAL
- 18 DIMENSIONS CHAMBRE DE COISSON (L - P - A)
- 20 INDICE DE PROTECTION IP

ESPAÑOL

- 01 POTENCIA
- 03 FRECUENCIA
- 04 TIPO DE CABLE DE ALIMENTACION
- 05 Ø CABLE EXTERNO DE ALIMENTACION
- 06 TENSION / SECCION CABLES DE ALIMENTACION
- 10 PRESION AGUA
- 11 CARGA MAX. DE ALIMENTOS
- 13 CONSUMO MAX DE AGUA
- 02 POTENCIA TERMICA NOMINAL
- 18 DIMENSIONES CÁMARA DE COCCIÓN (An - Pr - Al)
- 20 GRADO DE PROTECCION IP

DEUTSCH

- 01 ELEKTRISCHE LEISTUNG
- 03 FREQUENZ
- 04 ZULEITUNGSKABELTYP
- 05 AUSSENDURCHMESSER DES VERSORGUNGSKABELS
- 06 KABELQUERSCHNITT UND VERSORGUNGSSPANNUNG
- 10 WASSERDRUCK
- 11 MAX. SPEISENFASSUNGSVERMOGEN
- 13 MAXIMUM WASSERVERBRAUCH
- 02 NOMINALE WARMELEISTUNG
- 18 GRÖÖBE DES KOCHKAMMERS (B - T - H)
- 20 SCHTZART IP



MOD:XEBC-06EU-EPRM



3m Общепит
vsezip.ru
(812)987-81

ENGLISH - DRAWINGS

| | |
|----|-----------------------------|
| 2 | TERMINAL BOARD POWER SUPPLY |
| 3 | UNIPOTENTIAL TERMINAL |
| 6 | TECHNICAL DATA PLATE |
| 7 | SAFETY THERMOSTAT |
| 8 | 3/4" THREAD WATER INLET |
| 10 | Rotor.KLEAN CONNECTION |
| 11 | CAVITY DRAIN PIPE |
| 12 | HOT FUMES EXHAUST CHIMNEY |
| 13 | ACCESSORIES CONNECTION |
| 27 | COOLING AIR OUTLET |

ITALIANO - DISEGNI

| | |
|----|-------------------------------|
| 2 | MORSETTIERA ALIMENTAZIONE |
| 3 | MORSETTO EQUIPOTENZIALE |
| 6 | TARGHETTA DATI TECNICI |
| 7 | TERMOSTATO DI SICUREZZA |
| 8 | INGRESSO ACQUA 3/4" |
| 10 | INGRESSO Rotor.KLEAN |
| 11 | SCARICO CAMERA DI COTTURA |
| 12 | USCITA FUMI CALDI |
| 13 | COLLEGAMENTO ACCESSORI |
| 27 | USCITA ARIA DI RAFFREDDAMENTO |

FRANCAIS - ENCMBREMEN

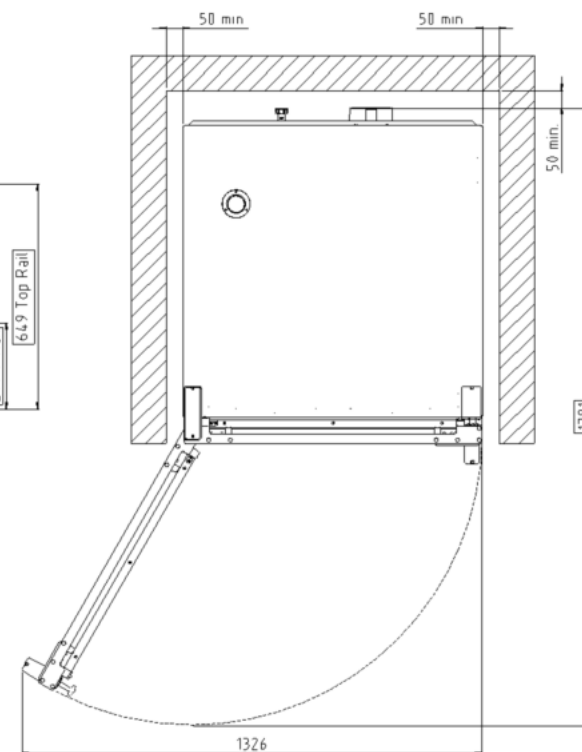
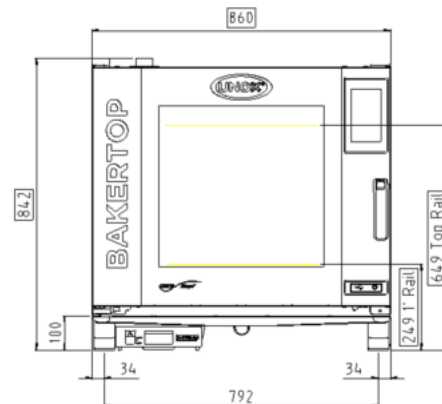
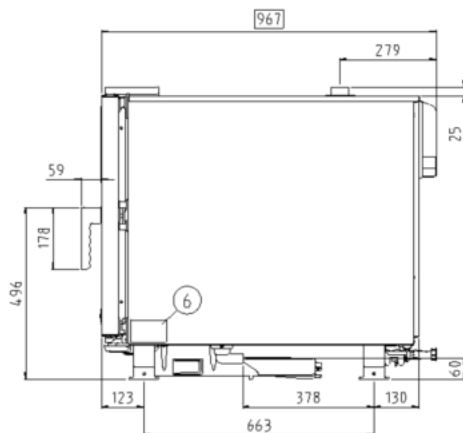
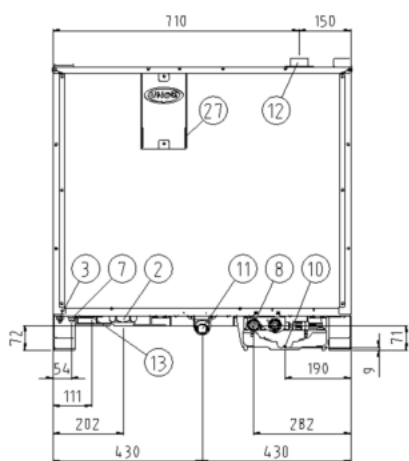
| | |
|----|---------------------------------|
| 2 | BOITE A BORNES D'ALIMENTATION |
| 3 | SUPPORT BORNES EQUIPOTENTIELLE |
| 6 | PLAQUE DE CARACTERISTIQUES |
| 7 | THERMOSTAT DE SECURITE |
| 8 | ARRIVEE D'EAU FIELT 3/4" |
| 10 | ENTREE Rotor.KLEAN |
| 11 | SORTIE DE L'EAU RACCORD |
| 12 | SORTIE DES FUMEEES CHAUDES |
| 13 | JONCTION DES ACCESSOIRES |
| 27 | SORTIE D'EAU DE REFROIDISSEMENT |

ESPAÑOL - DISEÑOS

| | |
|----|-------------------------------------|
| 2 | CAJA DE CONEXION |
| 3 | SEDE BORNE EQUIPOTENCIAL |
| 6 | TARJETA DE CARACTERISTICAS TECNICAS |
| 7 | TERMOSTATO DE SEGURIDAD |
| 8 | ENTRADA DE AGUA 3/4" |
| 10 | INGRESO Rotor.KLEAN |
| 11 | DESCARGA CAMARA DE COCCION |
| 12 | SALIDA HUMOS CALIENTES |
| 13 | CONEXION ACCESORIOS |
| 27 | SALIDA DEL AIRE DE ENFRIAMIENTO |

DEUTSCH - ZEICHNUNGEN

| | |
|----|---------------------------|
| 2 | ZULEITUNGSKLEMMLEISTE |
| 3 | GLEICHPOTENTIELLE KLAMMER |
| 6 | TYPENSCHILD |
| 7 | SICHERHEITSTHERMOSTAT |
| 8 | WASSEREINZUG 3/4" GEWINDE |
| 10 | Rotor.KLEAN EINGANG |
| 11 | WASSERAUSLASS GEWINDE |
| 12 | ABZUGSHAUBE |
| 13 | ZUBEHÖRTEILENVERBINDUNG |
| 27 | KÜHLLUFTAUSTRITT |

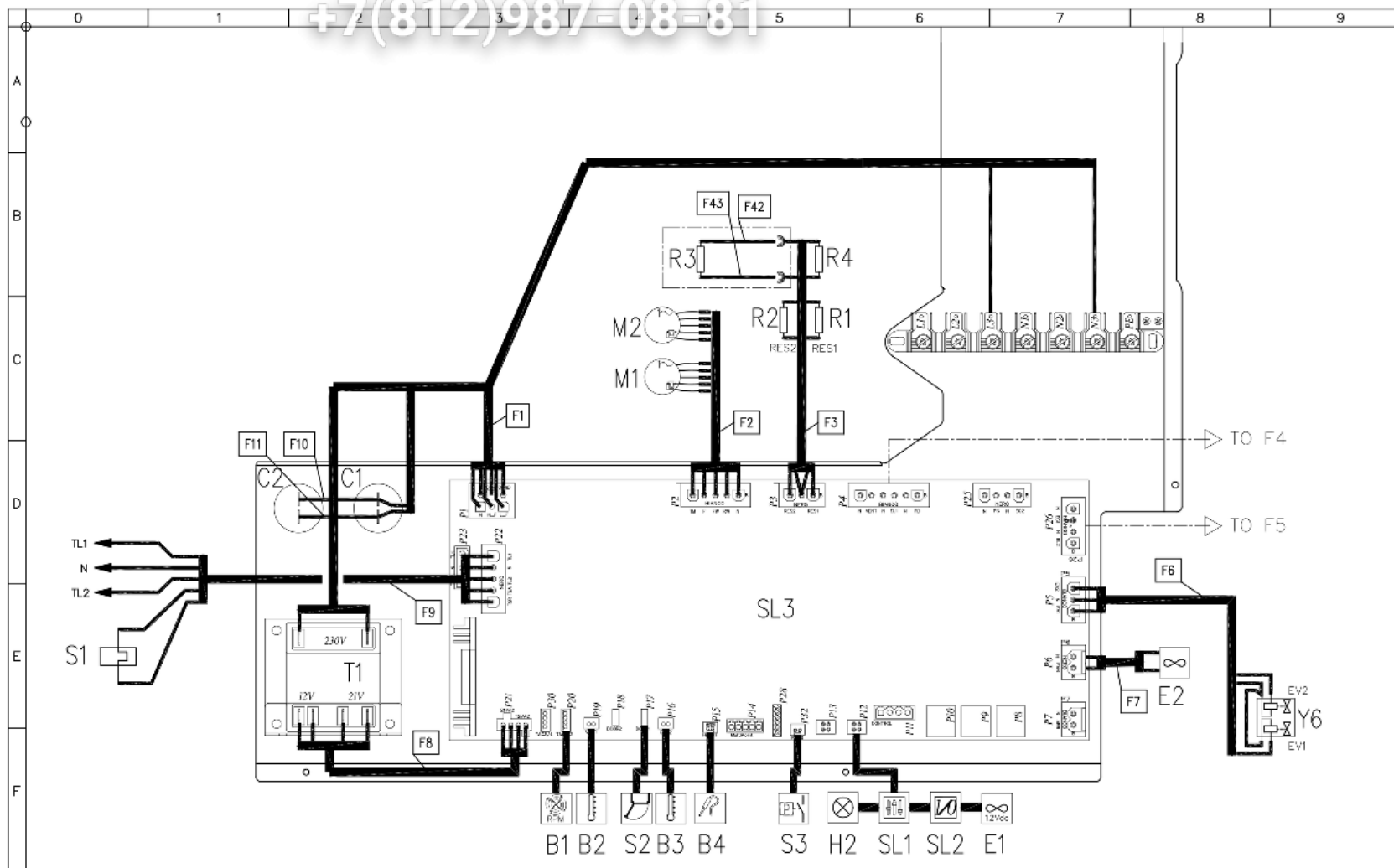


MOD:XEBC-06EU-EPRM



3m Общепит
vsezip.ru

+7(812)987-08-81

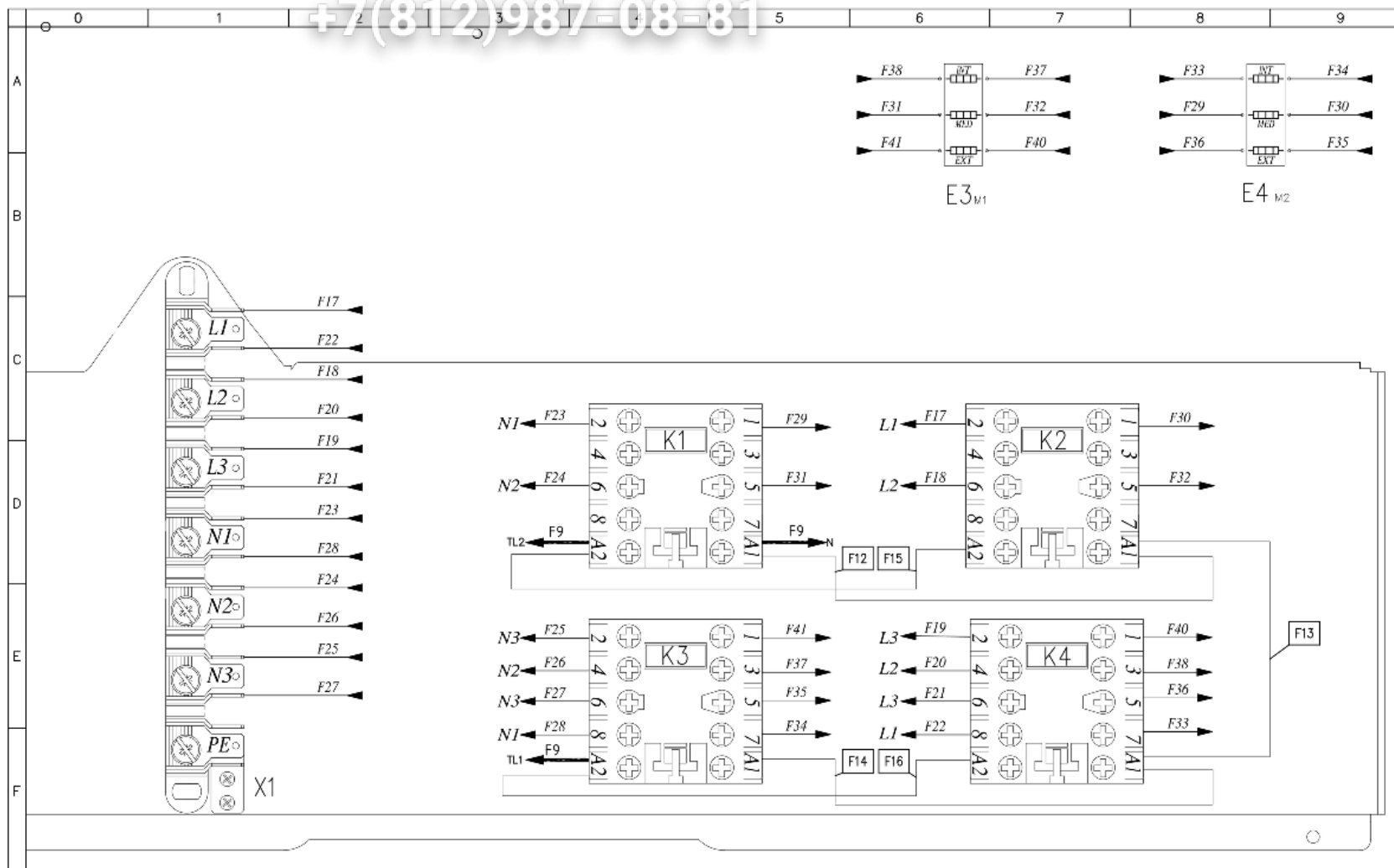


MOD:XEBC-06EU-EPRM

3M Общепит
vsezip.ru



+7(812)987-08-81

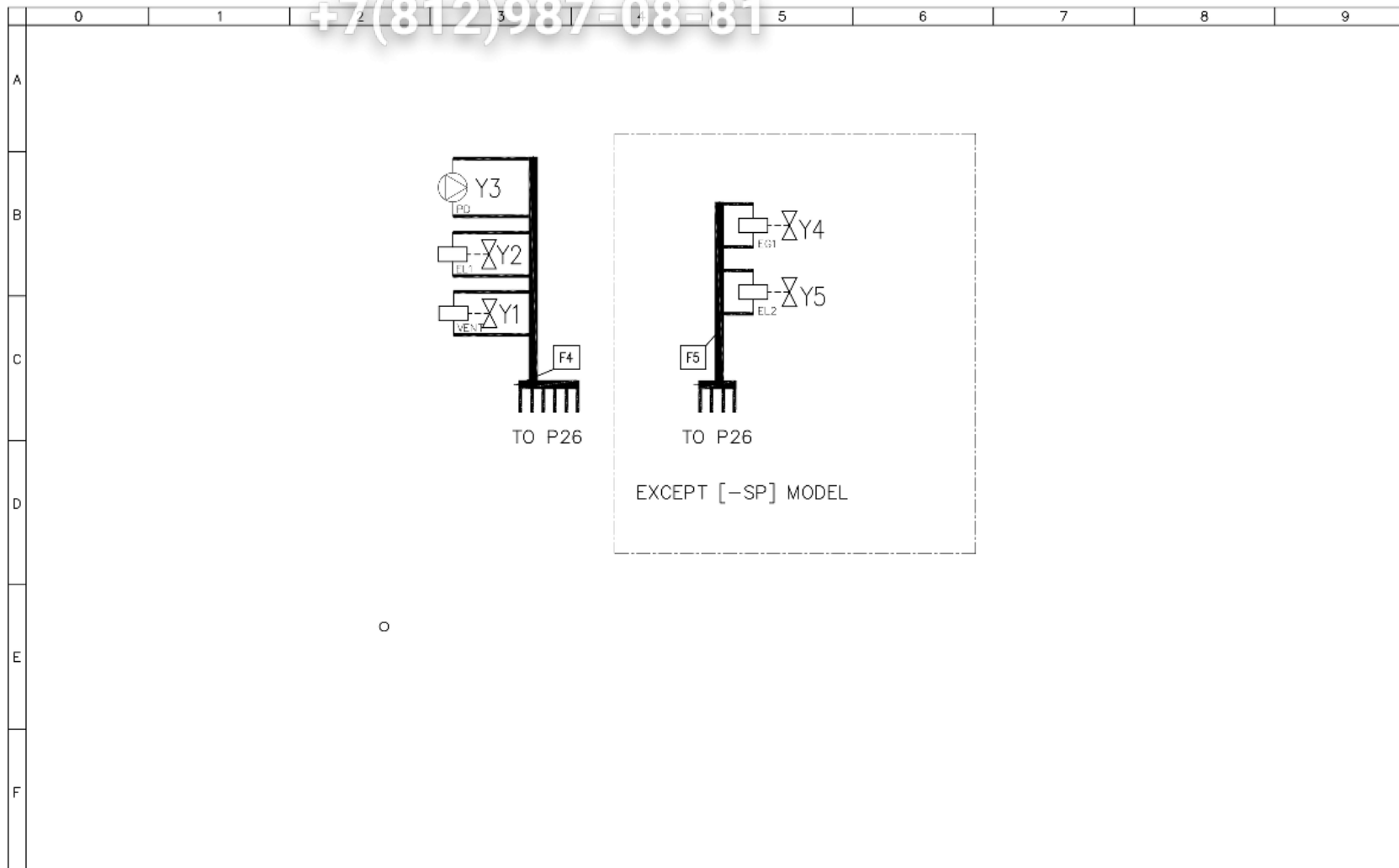


MOD:XEBC-06EU-EPRM



3in1 Общепит
vsezip.ru

+7(812)987-08-81



MOD:XEBC-06EU-EPRM



3M Общепит
vsezip.ru

+7(812)987-08-81

| | 0 | 1 | 2 | 3 | 4 | 5 | 6 | 7 | 8 | 9 |
|---|---|---|---|---|---|---|---|---|---|---|
| A | | | | | | | | | | |
| B | | | | | | | | | | |
| C | | | | | | | | | | |
| D | | | | | | | | | | |
| E | | | | | | | | | | |
| F | | | | | | | | | | |

| Q | ITALIANO | ENGLISH | FRANCAIS | ESPAÑOL | DEUTSCH |
|-------------|---------------------------------------|-----------------------------|--------------------------------------|----------------------------------|-------------------------|
| C1,C2 | CONDENSATORE | MOTOR CAPACITOR | CONDENSATEUR | CONDENSADOR | KONDENSATOR |
| K1,K2,K3,K4 | TELERUTTORE | CONTACTOR | TELERUPTEUR | TELERRUPTOR | RELAIS |
| SL3 | SCHEDA POTENZA | POWER CARD | CARTE DE PUISSANCE | TARJETA POTENCIA | POWERPLATINE |
| T1 | TRASFORMATORE | TRANSFORMER | TRASFORMATEUR | TRANSFORMADOR | TRANSFORMATOR |
| X1 | MORSETTIERA 7P | TERMINAL BLOCK 7P | BORNIER 7P | CONECTOR 7P | KLEMMLEISTE 7P |
| Y1 | DRY MAXY | DRY MAXY | DRY MAXY | DRY MAXY | DRY MAXY |
| Y2,Y4,Y5 | ELETTROVALVOLA ACQUA | WATER SOLENOID VALVE | ELECTROVANNE EAU | ELECTROVALVULA | ELEKTROVENTIL |
| Y3 | POMPA | PUMP | POMPE | BOMBA | PUMPE |
| B1 | SENSORE VELOCITA MOTORE | MOTOR SPEED SENSOR | CAPTEUR DE VITESSE MOTEUR | SENSOR DE VELOCIDAD MOTOR | GESCHWINDIGKEITSSENSOR |
| B2,B3 | SONDA CAMERA | TEMPERATURE PROBE | SONDE DE CHAMBRE | SONDA CAMARA | GARRAUMTEMPERATURFUHLER |
| B4 | SONDA AL CUORE | CORE PROBE | SONDE A COEUR | SONDA CORAZON | KERNTEMPERATURFUHLER |
| E1 | VENTOLA RAFFREDDAMENTO 12V | COOLING FAN 12V | TURBINE DE REFROIDISSEMENT 12V | TURBINA DE REFRIGERACION 12V | LÜFTER 12V |
| E2 | VENTOLA RAFFREDDAMENTO 230V | COOLING FAN 230V | TURBINE DE REFROIDISSEMENT 230V | TURBINA DE REFRIGERACION 230V | LÜFTER 230V |
| E3,E4 | ELEMENTO RISCALDANTE | HEATING ELEMENT | ELEMENT DE CHAUFFAGE | RESISTENCIA DE CALEFACCIÓN | HEIZUNG |
| H2 | LUCE CAMERA | OVEN LIGHT | ECLAIRAGE DE CHAMBRE | LUZ CAMARA | BELEUCHTUNG |
| M1,M2 | MOTORE | MOTOR | MOTEUR | MOTOR | MOTOR |
| R1,R2,R3,R4 | RESISTENZA DI MODULAZIONE VENTILATORE | MOTOR MODULATION RESISTANCE | RESISTANCE DE MODULATION VENTILATEUR | RESISTENCIA MODULACION VELOCIDAD | WIDERSTAND LOW FAN |
| S1 | TERMOSTATO SICUREZZA | SAFETY THERMOSTAT | THERMOSTAT DE SECURITE | TERMOSTATO DE SEGURIDAD | SICHERHEITS THERMOSTAT |
| S2 | MICRO INTERRUTTORE PORTA | DOOR MICROSWITCH | MICROINTERRUPTEUR DE PORTE | MICROINTERRUPTOR PUERTA | TURKONTAKTSCHALTER |
| S3 | PRESSOSTATO | PRESSURE SWITCH | PRESSOSTAT | PRESÓSTATO | DRUCKSCHALTER |
| SL1 | SCHEDA CONTROLLO | CONTROL BOARD | CARTE DE CONTROLE | TARJETA DE CONTROL | KONTROLL PLATINE |
| SL2 | SCHEDA 1/0 - USB | USB - 1/0 BOARD | USB - CARTE 1/0 | USB - TARJETA 1/0 | USB - 1/0 PLATINE |
| Y6 | ELETTROVALVOLA ACQUA 3 STADI | WATER SOLENOID VALVE 3STAGE | ELECTROVANNE EAU 3 ETAPES | ELECTROVALVULA 3 ETAPAS | ELEKTROVENTIL 3 STUFEN |

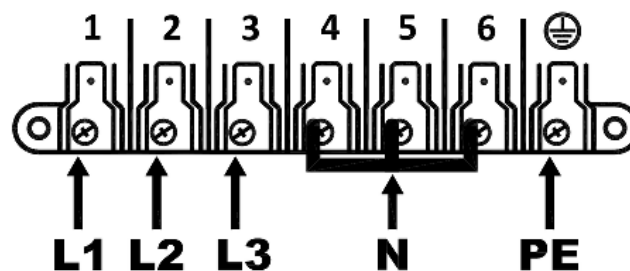
MOD:XEBC-06EU-EPRM



ED1408A

POWER SUPPLY - CONNECTION DIAGRAM

380-415V ~ 3PH + N + PE 50/60Hz



220-240V ~ 3PH + PE 50/60Hz

