

Зип Общепит  
Араш  
vsezip.ru  
COOK Line

EAC

Viale Europa, 24 - 37045 S.PIETRO DI LEGNAGO (VR) - ITALY

**SPARE PARTS CATALOGUE  
ERSATZTEILKATALOG  
CATALOGUE PIECES DETACHEES  
CATALOGO PARTI RICAMBIO  
CATALOGO DE PIEZAS DE RECAMBIO  
CATALOGO PECAS, DE REPOSICAO**

Catalogo parti di ricambio valido  
dalla matricola 4345557 ad oggi (19/08/2020)

Catalogue pieces detachees  
du numero de Série n. 4345557 jusqu'à aujourd'hui (19/08/2020)

Ersatzteilkatalog  
gültig ab Serien-Nr. 4345557 bis heute (19/08/2020)

Spare parts catalogue  
valid from serial no. 4345557 up today (19/08/2020)

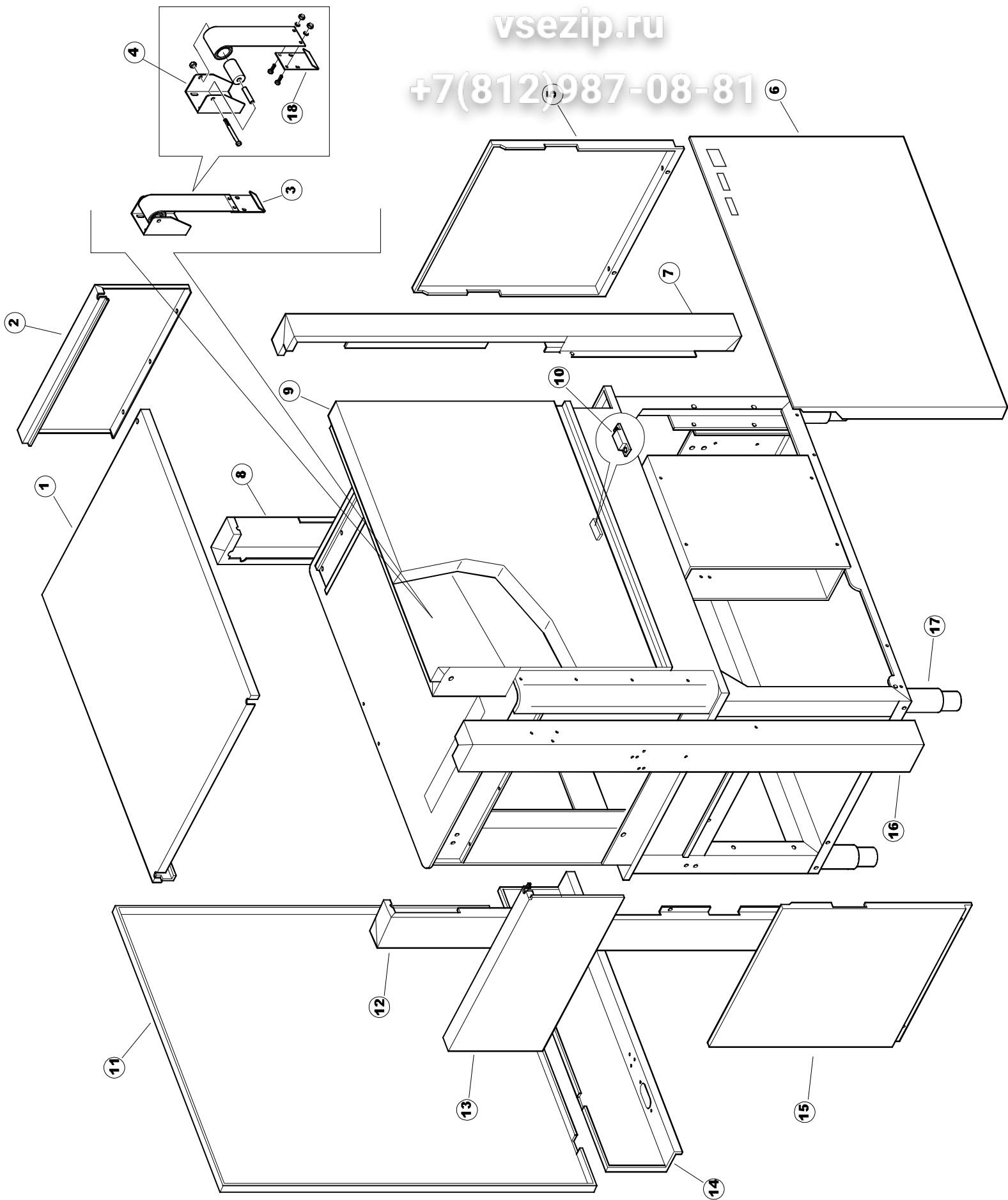
Catálogo de peças de reposição  
válido do número de série 4345557 até hoje (19/08/2020)

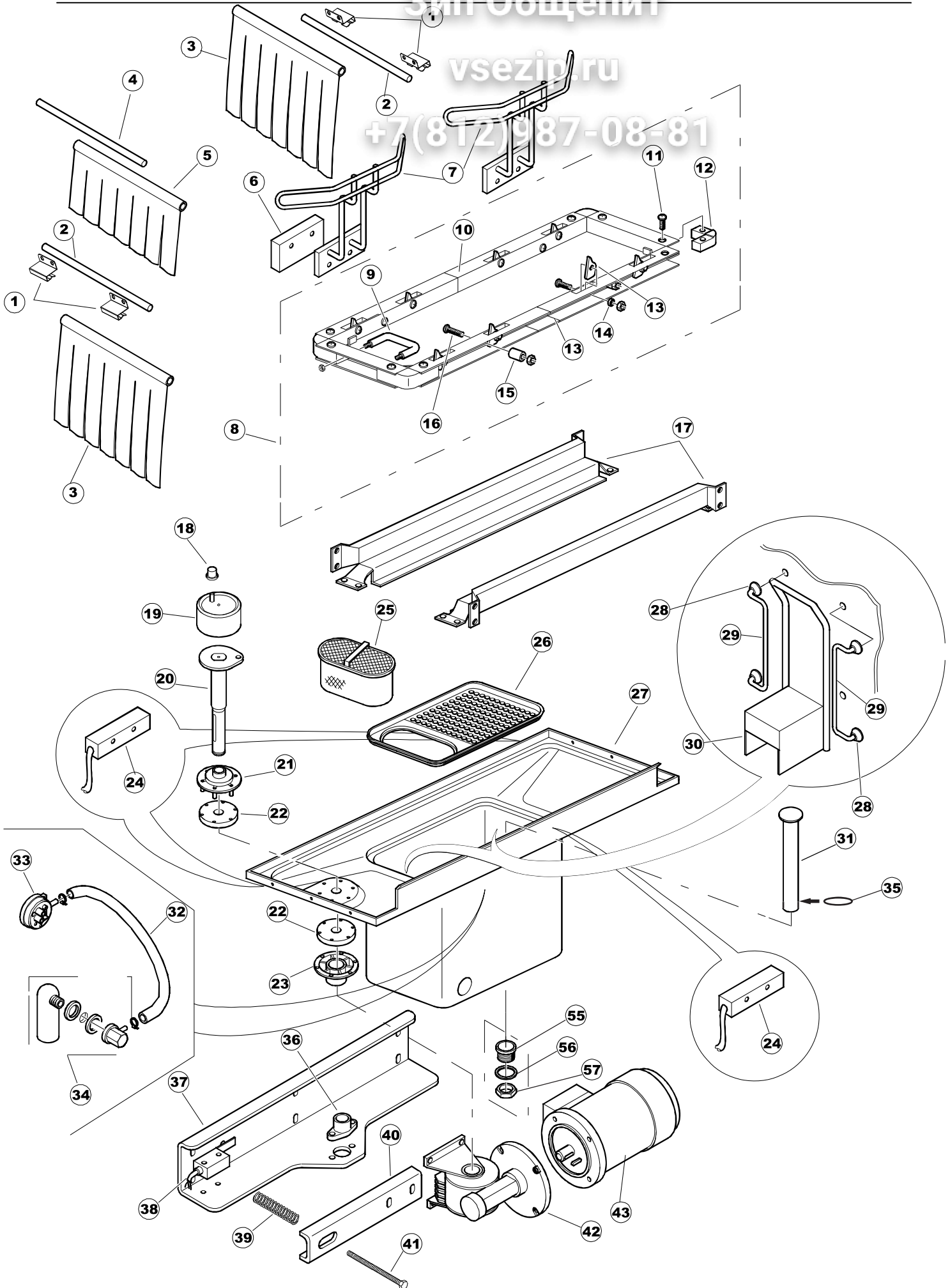
**ARC100**

Зип Ощепит

vsezip.ru

+7(812)987-08-81

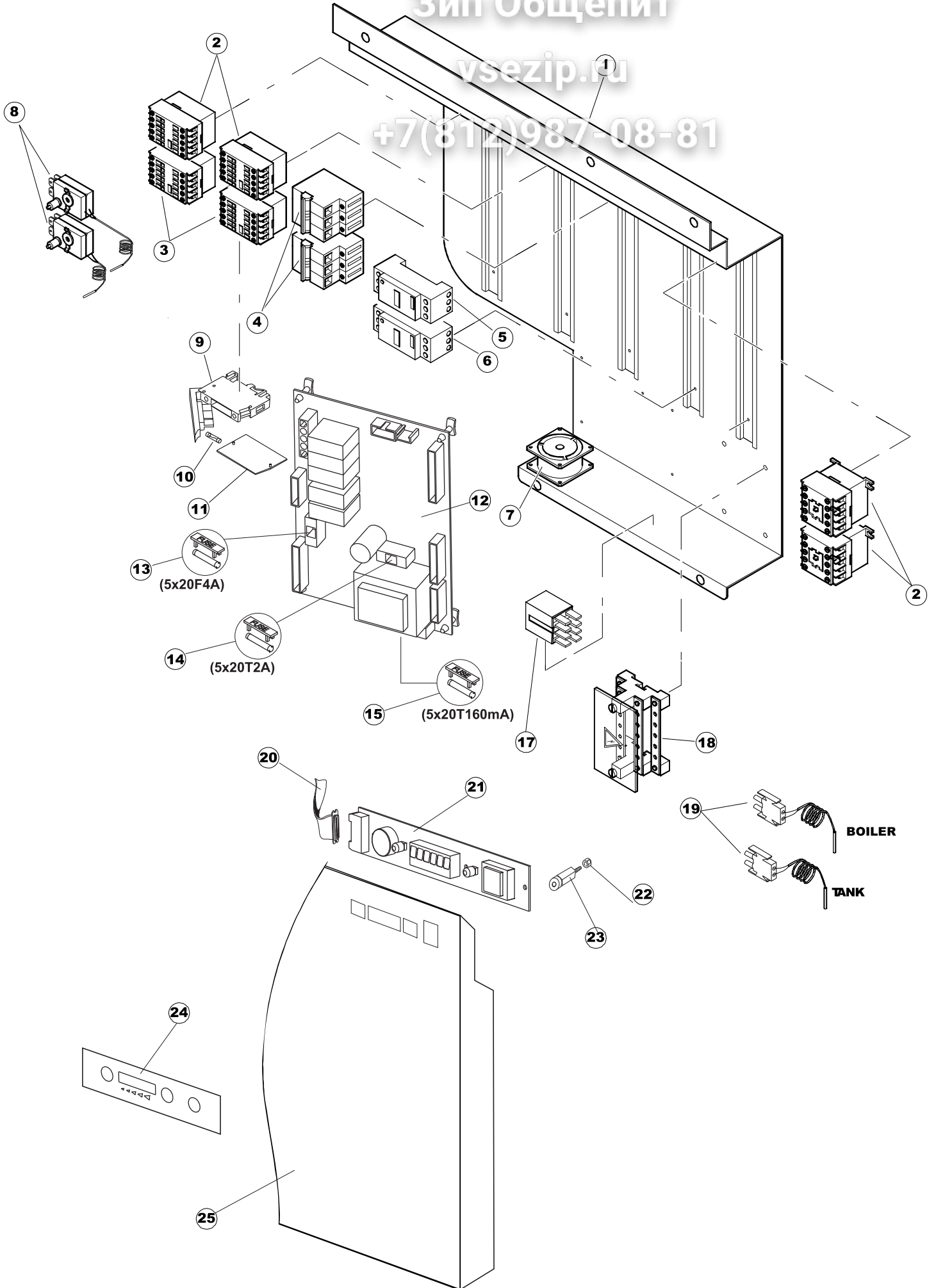


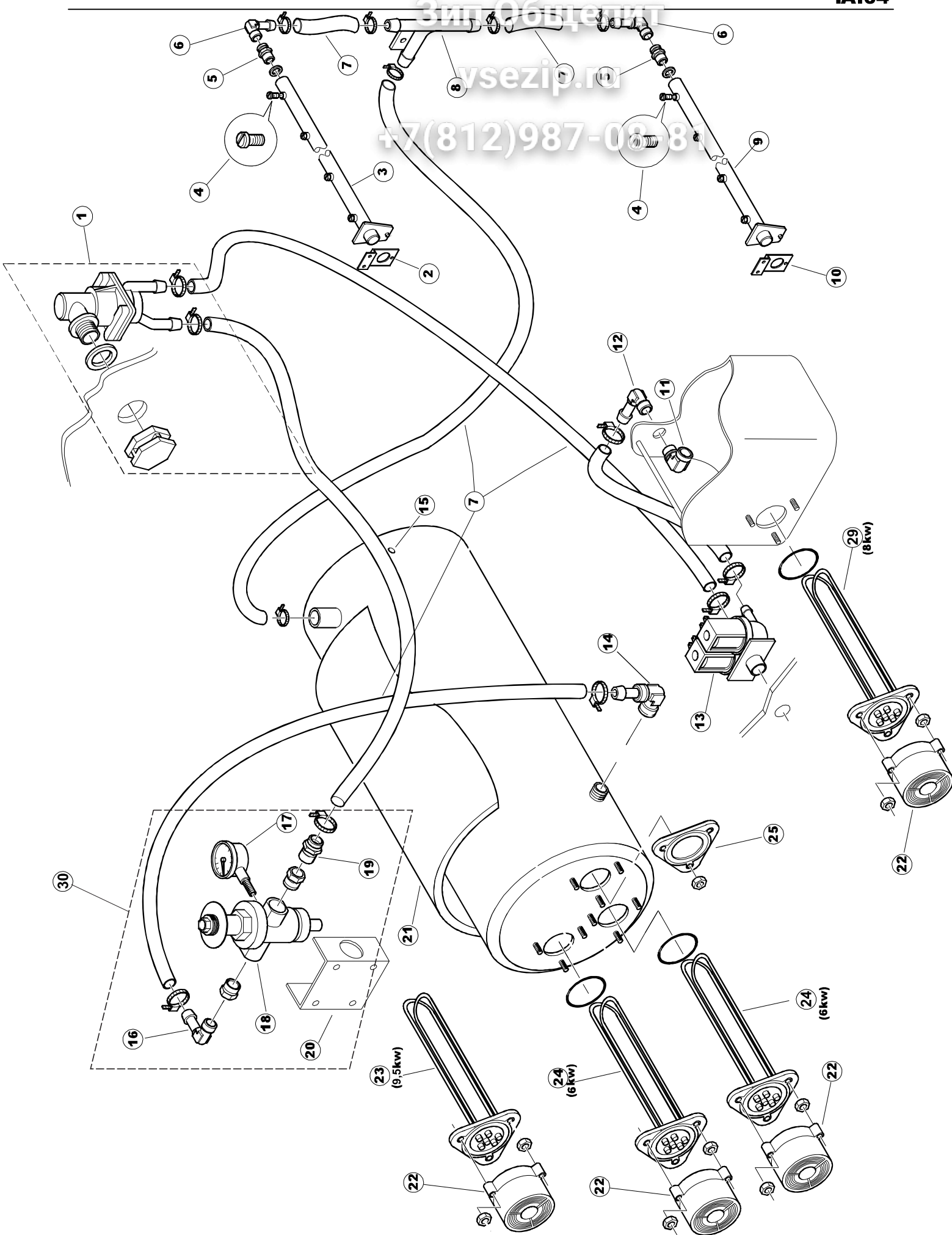


Зип Общепит

ysezip.ru

+7(812)987-08-81



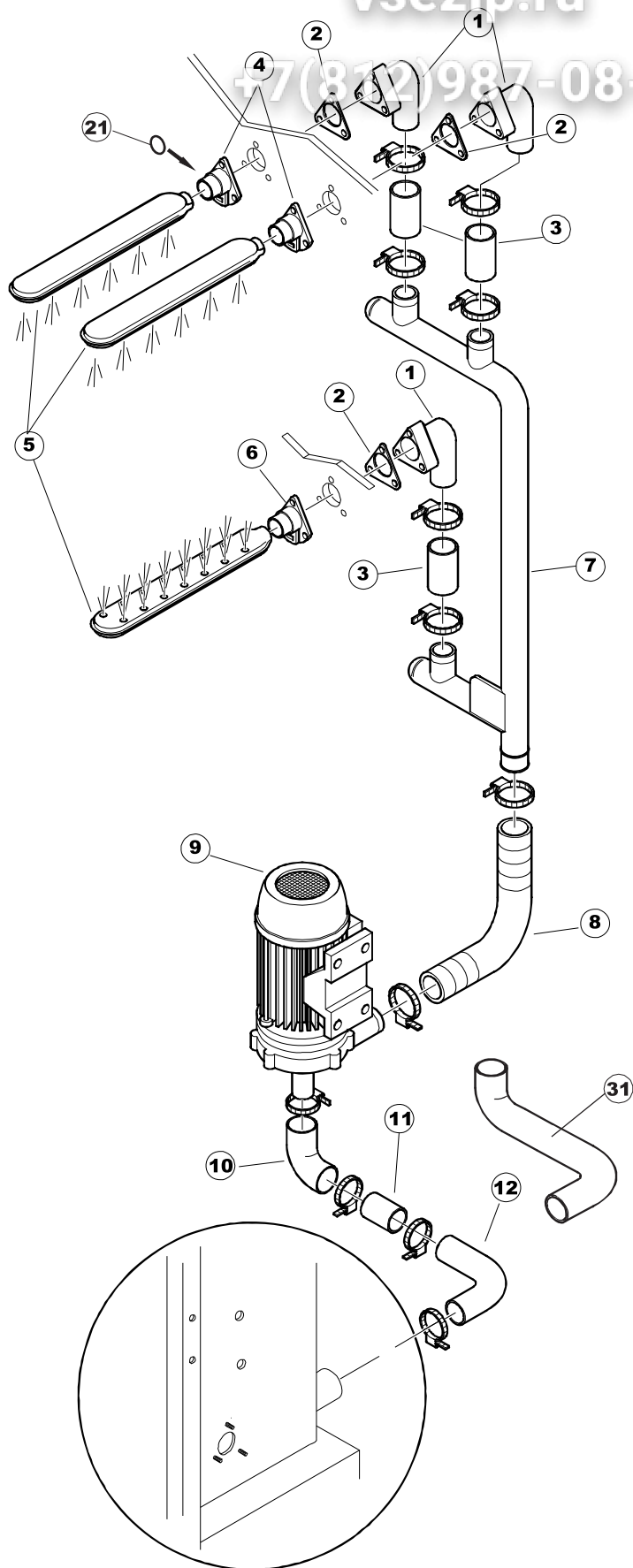


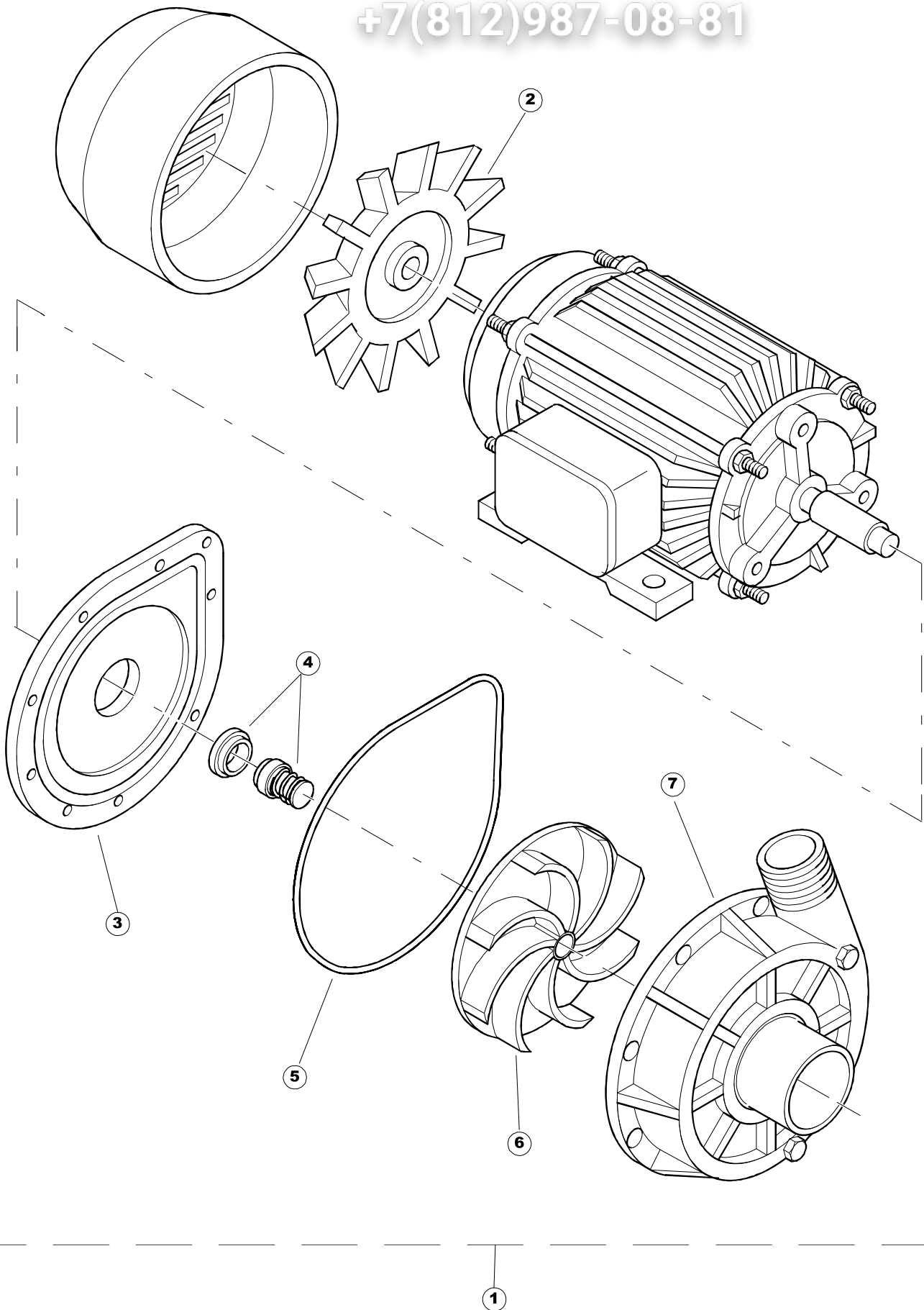
Зип Общедит  
vsezip.ru  
+7(812)987-08-81

Зип Общепит

vsezip.ru

+7(812)987-08-81





(\*) Recommended spare part.

| Page | Spare part position | Spare part code no. | Old code number | Description                             | U.m. |
|------|---------------------|---------------------|-----------------|---|------|
| 1    | 1                   | 75050               |                 | TOP PANEL                               | NR   |
| 1    | 2                   | 75035               |                 | FRONT PANEL                             | NR   |
| 1    | 3                   | 65654               |                 | DOOR SPRING KIT                         | NR   |
| 1    | 4                   | 75225               |                 | SCATOLA SUPPORTO MOLLE SPORT. PG FINITO | NR   |
| 1    | 5                   | 65054               |                 | SIDE PANEL                              | NR   |
| 1    | 6                   | 75654               |                 | FRONT PANEL                             | NR   |
| 1    | 7                   | 75039               |                 | CORNER FRONT RIGHT PANEL                | NR   |
| 1    | 8                   | 75040               |                 | CORNER FRONT RIGHT PANEL                | NR   |
| 1    | 9                   | 75082               |                 | RACK CONVEYOR DOOR                      | NR   |
| 1    | 10                  | 926014              | CWM8            | MAGNET 8X16X40 AND HOUSING FOR DEM 201  | NR   |
| 1    | 11                  | 75244               |                 | BACK PANEL                              | NR   |
| 1    | 12                  | 75041               |                 | CORNER REAR LEFT PANEL                  | NR   |
| 1    | 13                  | 75035               |                 | FRONT PANEL                             | NR   |
| 1    | 14                  | 75043               |                 | NOT IN PRICE-LIST                       |      |
| 1    | 15                  | 65054               |                 | SIDE PANEL                              | NR   |
| 1    | 16                  | 75038               |                 | CORNER REAR LEFT PANEL                  | NR   |
| 1    | 17                  | 73100               |                 | FOOT                                    | NR   |
| 1    | 18                  | 75226               |                 | DOOR SAFETY HOOK FOR RACK-CONVEYOR      | NR   |
| 2    | 1                   | 75586               |                 | CURTAIN SUPPORTING BRACKET              | NR   |
| 2    | 2                   | 75121               |                 | CURTAIN SUPPORT FOR RACK-CONVEYOR DISH- | NR   |
| 2    | 3                   | 75120               |                 | CURTAIN                                 | NR   |
| 2    | 4                   | 75124               |                 | CURTAIN SUPPORT FOR RACK-CONVEYOR DISH- | NR   |
| 2    | 5                   | 75123               |                 | CURTAIN                                 | NR   |
| 2    | 6                   | 927088              | CWM7            | MAGNET FOR HOOD MICROSWITCH             | NR   |
| 2    | 7                   | 75095               |                 | OPERATED RINSING LEVER                  | NR   |
| 2    | 8                   | 75869               |                 | RACK CONVEYOR                           | NR   |
| 2    | 9                   | 75073               |                 | RACK CONVEYOR HANDLE                    | NR   |
| 2    | 10                  | 75868               |                 | TOWING RACK                             | NR   |
| 2    | 11                  | 486169              | REB486169       | STAINLESS STEEL SCREW 4MAX10 TBCR-SP    | NR   |
| 2    | 12                  | 75075               |                 | SLED CART TOWING                        | NR   |
| 2    | 13                  | 75071               |                 | RACK CONVEYOR COG                       | NR   |
| 2    | 14                  | 75077               |                 | BUSH                                    | NR   |



(\*) Recommended spare part.

| Page | Spare part position | Spare part code no. | Old code number | Description                             | U.m. |
|------|---------------------|---------------------|-----------------|---|------|
| 2    | 15                  | 75076               |                 | BUFFER FOR DRIVE STOP                   | NR   |
| 2    | 16                  | 75310               |                 | SCREW                                   | NR   |
| 2    | 17                  | 75024               |                 | COMPLETE RACK TRACK SLIDE               | NR   |
| 2    | 18                  | 75058               |                 | WASHER                                  | NR   |
| 2    | 19                  | K75649              |                 | KIT PROTECTIVE PLATE OF SPLASHING WATER | NR   |
| 2    | 20                  | 75235               |                 | GEAR SHAFT CONVEYOR                     | NR   |
| 2    | 21                  | K75141              |                 | UPPER FLANGE SHAFT CONVEYOR             | NR   |
| 2    | 22                  | 75168               |                 | GASKET                                  | NR   |
| 2    | 23                  | K75057              |                 | LOWER BUSH & SEAL                       | NR   |
| 2    | 24                  | 80871               |                 | MAGNETIC DOOR SWITCH                    | NR   |
| 2    | 25                  | 75429               |                 | COLLECTING FILTER WITH WEIGHT           | NR   |
| 2    | 26                  | 75515               |                 | STAINER                                 | NR   |
| 2    | 28                  | 472061              |                 | WASHER                                  | NR   |
| 2    | 29                  | 42092               | C.42092         | ASPIRATION FILTER SLIDE                 | NR   |
| 2    | 30                  | 75661               |                 | PUMP ASPIRATION FILTER                  | NR   |
| 2    | 31                  | 75864               |                 | OVERFLOW PIPE                           | NR   |
| 2    | 32                  | 143005              | SPG10           | LINEN RUBBER PIPE 5X12 - BLACK          | MT   |
| 2    | 33                  | 926049              | DEP45           | PRESSURE SWITCH                         | NR   |
| 2    | 34                  | 984005              | REB984005       | AIR TRAP, ASSY                          | NR   |
| 2    | 35                  | CGR4131NT           |                 | O-RING                                  | NR   |
| 2    | 36                  | 75142               |                 | BOTTOM FLANGE SHAFT CONVEYOR            | NR   |
| 2    | 37                  | 75217               |                 | BRACKET                                 | NR   |
| 2    | 38                  | 927246              | DEM11NT         | MICROSWITCH                             | NR   |
| 2    | 39                  | CMT13               |                 | SPRING                                  | NR   |
| 2    | 40                  | 75218               |                 | SUPPORT BRACKET                         | NR   |
| 2    | 41                  | 60354               |                 | SCREW                                   | NR   |
| 2    | 42                  | 927102              | DPR15           | GEARMOTOR MVF-49A 1/60                  | NR   |
| 2    | 43                  | 927104              | DPM120          | MOTOR 180W V 230/400                    | NR   |
| 2    | 55                  | 75871               |                 | DRAIN CONNECTION                        | NR   |
| 2    | 56                  | 75873               |                 | GASKET                                  | NR   |
| 2    | 57                  | 75872               |                 | NUT WASTE DRAIN                         | NR   |
| 3    | 1                   | 75182               |                 | PANEL FOR ELECTRICAL COMPONENTS         | NR   |

(\*) Recommended spare part.

| Page | Spare part position | Spare part code no. | Old code number | Description                        | U.m. |
|------|---------------------|---------------------|-----------------|------------------------------------|------|
| 3    | 2                   | 73350               |                 | CONTACTOR                          | NR   |
| 3    | 3                   | 73351               |                 | CONTACTOR                          | NR   |
| 3    | 4                   | 927038              | DEP2F           | FUSE-HOLDER - TRIPOLAR GK1-DF      | NR   |
| 3    | 5                   | DEI35N              |                 | AUTOMATIC SWITCH                   | NR   |
| 3    | 6                   | DEI40N              |                 | AUTOMATIC SWITCH                   | NR   |
| 3    | 7                   | 77044               |                 | FAN                                | NR   |
| 3    | 8                   | 927057              |                 | THERMOSTAT                         | NR   |
| 3    | 9                   | H.228048            |                 | PLUG                               | NR   |
| 3    | 10                  | 228004              |                 | FUSE                               | NR   |
| 3    | 11                  | H.228047            |                 | FUSE-HOLDER                        | NR   |
| 3    | 12                  | 215032-1            |                 | MAIN BOARD                         | NR   |
| 3    | 13                  | 228004              |                 | FUSE                               | NR   |
| 3    | 14                  | 228011              |                 | FUSE                               | NR   |
| 3    | 15                  | 228012              |                 | FUSE                               | NR   |
| 3    | 17                  | 929115              | DER1108         | RELAY 16A 230V                     | NR   |
| 3    | 18                  | 75983               |                 | TERMINAL BLOCK                     | NR   |
| 3    | 19                  | 231016              |                 | TEMPERATURE PROBE                  | NR   |
| 3    | 20                  | 80934               |                 | FLAT CABLE                         | NR   |
| 3    | 21                  | 227083              |                 | PUSH BUTTONS BOARD                 | NR   |
| 3    | 22                  | 417119              |                 | NUT                                | NR   |
| 3    | 23                  | 419036              |                 | INTERFACE BOARD DISTANCE KEEPERS   | NR   |
| 3    | 24                  | 75834               |                 | CONTROL ADHESIVE INTERFACE         | NR   |
| 3    | 25                  | 75654               |                 | FRONT PANEL                        | NR   |
| 4    | 1                   | 144010              | REB144010       | NON RETURN VALVE                   | NR   |
| 4    | 2                   | 75131               |                 | SUPPORT BRACKET                    | NR   |
| 4    | 3                   | 75115               |                 | RINSE ARM                          | NR   |
| 4    | 4                   | 75133               |                 | STAINLESS STEEL RINSE SPRAY NOZZLE | NR   |
| 4    | 5                   | 75401               |                 | PIPE FITTING                       | NR   |
| 4    | 6                   | 77904               |                 | HOSE CONNECTOR                     | NR   |
| 4    | 7                   | 143010              | SPG61           | RUBBER PIPE 12X19,5                | MT   |
| 4    | 8                   | H.882974-001        |                 | MAINFOLD                           | NR   |
| 4    | 9                   | 75125               |                 | LOWER RINSE ARM                    | NR   |

(\*) Recommended spare part.

| Page | Spare part position | Spare part code no. | Old code number | Description                              | U.m. |
|------|---------------------|---------------------|-----------------|--|------|
| 4    | 10                  | 75129               |                 | SUPPORT BRACKET                          | NR   |
| 4    | 11                  | 65876               |                 | UNION ELBOW 3/8" AISI316                 | NR   |
| 4    | 12                  | 929163              | DZR2622         | BRASS RUBBER-PIPE HOLDER CONNECTION 3/8  | NR   |
| 4    | 13                  | 929172              |                 | SOLENOID VALVE                           | NR   |
| 4    | 14                  | 65018               |                 | PIPE FITTING                             | NR   |
| 4    | 15                  | K75625              |                 | BOILER AISI304 (17LT)                    | NR   |
| 4    | 16                  | 929163              | DZR2622         | BRASS RUBBER-PIPE HOLDER CONNECTION 3/8  | NR   |
| 4    | 17                  | 75998               |                 | MANOMETER                                | NR   |
| 4    | 18                  | 927150              | UAA6            | PRESSURE REDUCER 1/2"                    | NR   |
| 4    | 19                  | 927015              | DZR263          | BRASS CONNECTION 3/8- RUBBER PIPE HOLDER | NR   |
| 4    | 20                  | 75283               |                 | SUPPORT BRACKET                          | NR   |
| 4    | 21                  | 65245               |                 | COVER INSULATION                         | NR   |
| 4    | 22                  | 69870               |                 | BOILER HEATING ELEMENT PROTECTION        | NR   |
| 4    | 23                  | 80398C              | C.80398C        | READY-TO-ASSEMBLE KIT FOR HEATING        | NR   |
| 4    | 24                  | 230083C             | REB230083C      | HEATING ELEMENT 6KW                      | NR   |
| 4    | 25                  | 926053              | DWT100          | CLOSED FLANGE CAP (170880543)            | NR   |
| 4    | 29                  | 230020C             | REB230020C      | KIT HEATING ELEMENTS REB230020 (8KW)     | NR   |
| 4    | 30                  | 75977               |                 | KIT PRESSURE REDUCER                     | NR   |
| 5    | 1                   | 75155               |                 | PIPE FITTING                             | NR   |
| 5    | 2                   | 437050              | REB437050       | GASKET                                   | NR   |
| 5    | 3                   | 75154               |                 | DELIVERY WASH HOSE                       | NR   |
| 5    | 4                   | 75645               |                 | CONNECTING ARM                           | NR   |
| 5    | 5                   | 75616               |                 | COMPLETE WASH ARM                        | NR   |
| 5    | 6                   | 75648               |                 | CONNECTING ARM                           | NR   |
| 5    | 7                   | 75165               |                 | SLEEVE                                   | NR   |
| 5    | 8                   | 80187               | C.80187         | DELIVERY WASH HOSE                       | NR   |
| 5    | 9                   | 75175               |                 | WASHPUMP                                 | NR   |
| 5    | 10                  | 926056              | DZG461          | PIPE ELBOW                               | NR   |
| 5    | 11                  | 42028               |                 | SUCTION PIPE                             | NR   |
| 5    | 12                  | 929164              | DZG60           | PIPE ELBOW                               | NR   |
| 5    | 21                  | CGR4131NT           |                 | O-RING                                   | NR   |
| 5    | 31                  | 75189               |                 | DELIVERY WASH HOSE                       | NR   |

(\*) Recommended spare part.

| Page | Spare part position | Spare part code no. | Old code number | Description                          | U.m. |
|------|---------------------|---------------------|-----------------|--------------------------------------|------|
| 6    | 1                   | 75175               |                 | WASHPUMP                             | NR   |
| 6    | 2                   | 335003              | REB335003       | WASHPUMP FUN                         | NR   |
| 6    | 3                   | 80880               |                 | FLANGE                               | NR   |
| 6    | 4                   | 141002              | REB141002       | WASH PUMP SHAFT SEAL FOR GLASSWASHER | NR   |
| 6    | 5                   | 456023              |                 | O-RING                               | NR   |
| 6    | 6                   | 80881               |                 | ELECTROPUMP IMPELLER                 | NR   |
| 6    | 7                   | 80882               |                 | ELECTROPUMP HOUSING                  | NR   |