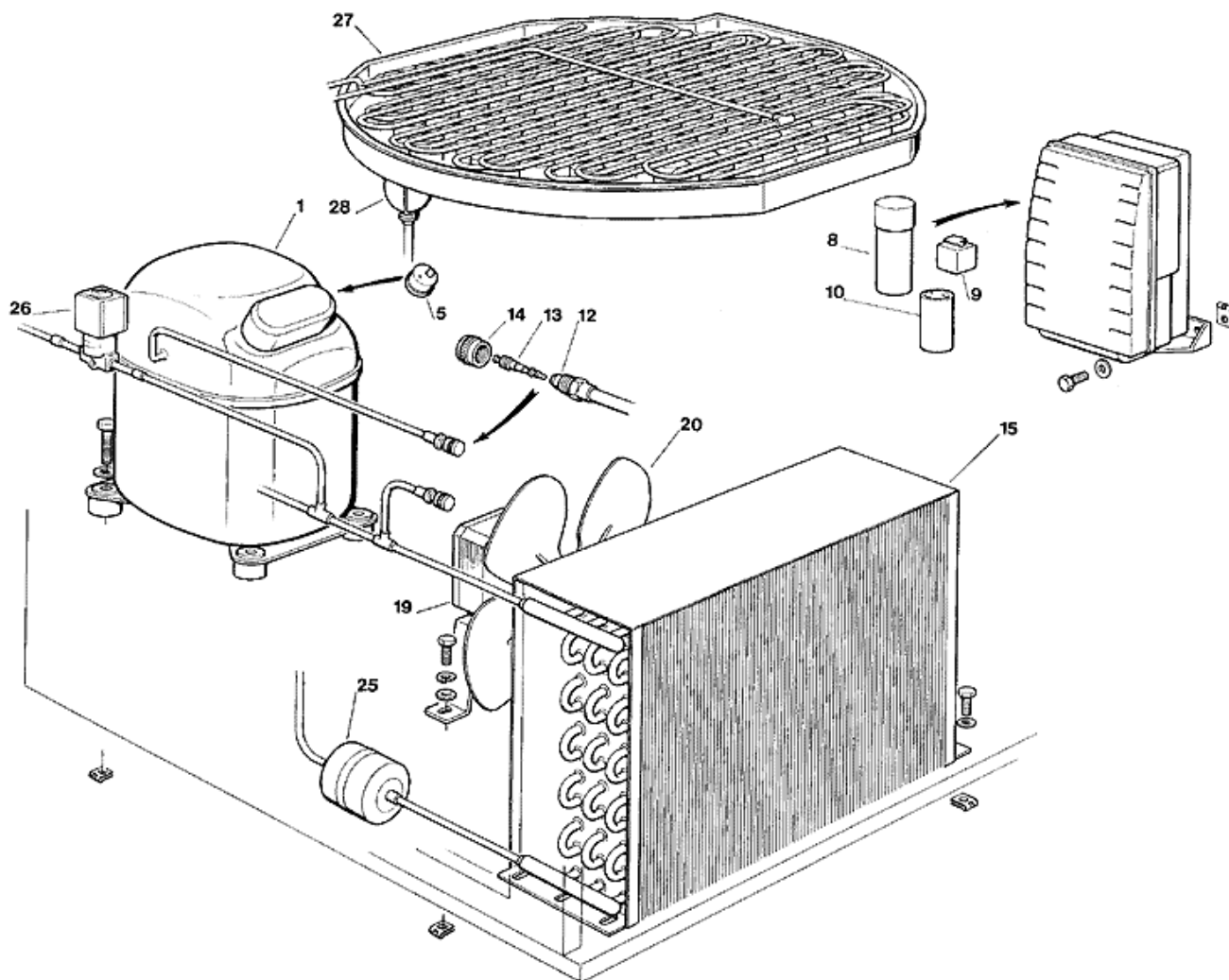
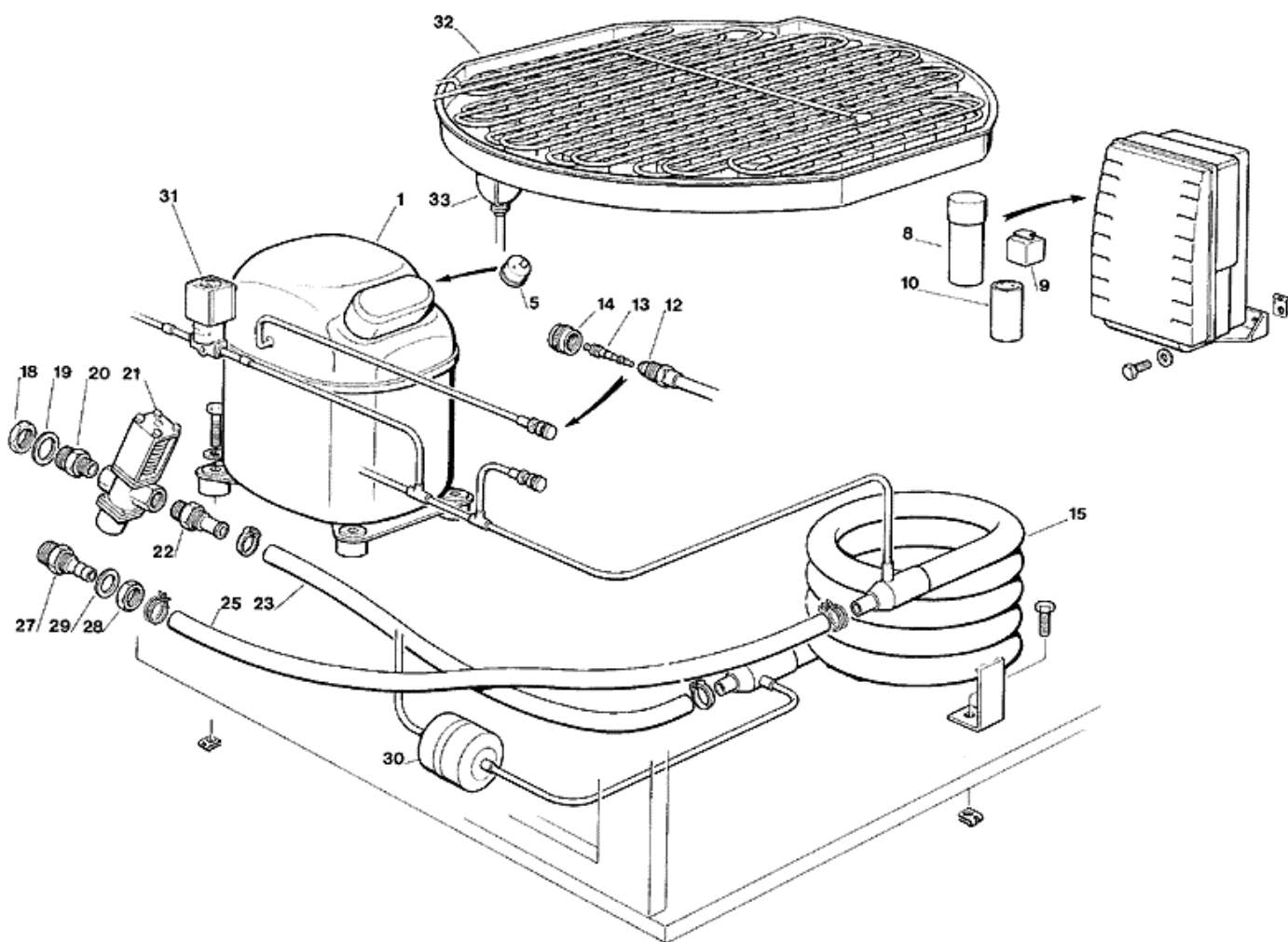


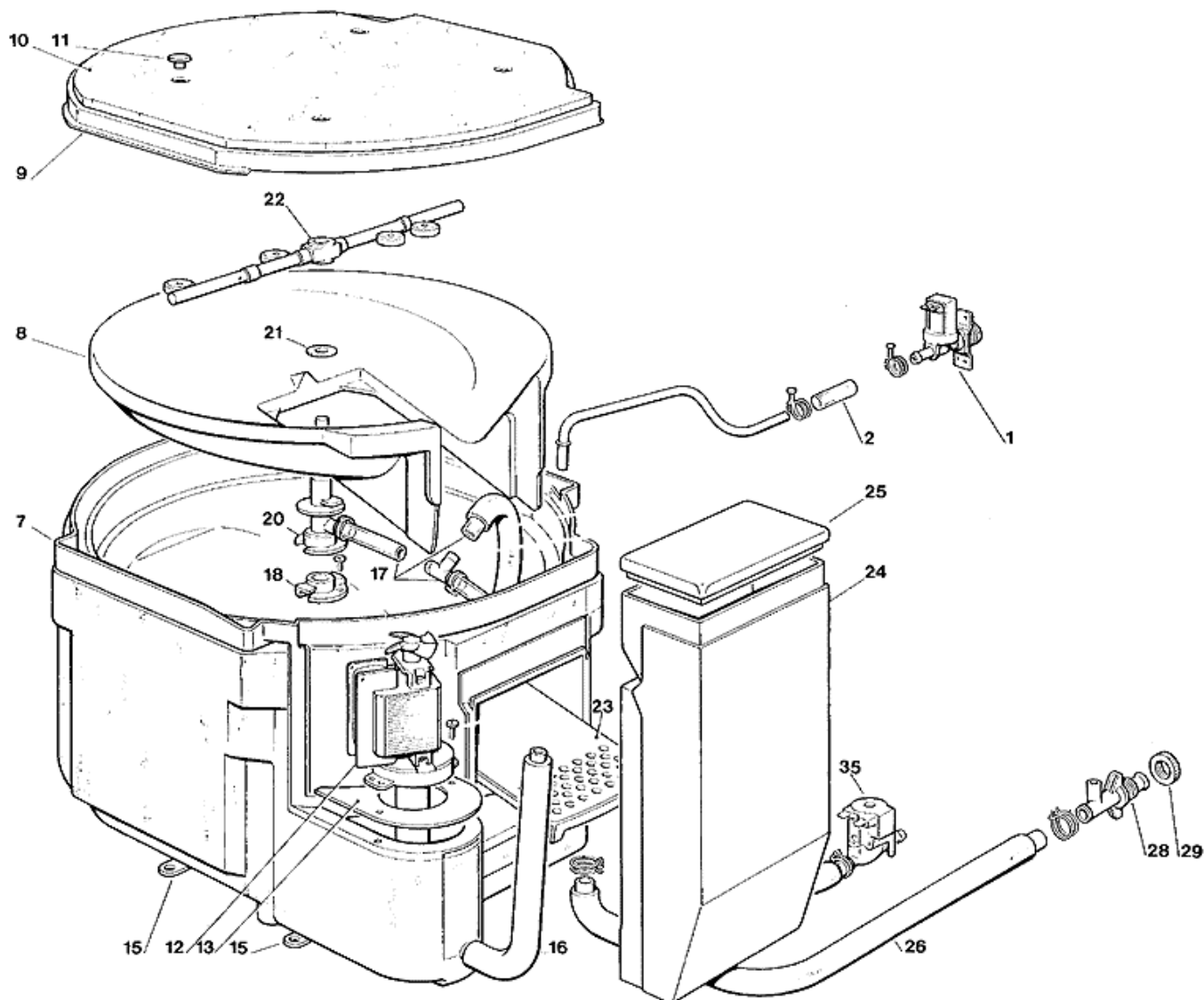
Pos	Code	Description
0001	SC791130 00R	FRAME ASSY MC 16 SHORT
0002	SC702604 00	BRACKET
0003	SC660974 00	TOP PANEL
0004	SC722444 00	LEFT SIDE PANEL
0005	SC722445 00	NO LONGER AVAILABLE
0006	SC702603 00	REAR PANEL
0008	SC722443 00	FRONT PANEL - AIR
0009	SC660817 00	SLIDE AIR FILTER
0010	SC660805 02	AIR FILTER
0011	SC660804 02	AIR FILTER SEAT
0012	SC650624 07	LABEL
0013	SC660829 00	FRONT SWITCH PLASTIC PROT
0014	SC650850 00	SCOTSMAN EMBLEM



Pos	Code	Description
0001	SC670099 10	COMPRESSOR - USE SC670099 23 220/60/1
0001	SC670099 22	COMPRESSOR - 230/50/1
0005	SC620058 76	PROTECTOR - 230/50/1
0005	SC620058 82	PROTECTOR - 220/60/1 SC670099 10
0008	SC620167 14	CAPACITOR - 230/50-60
0009	SC620057 41	STARTING RELAY 230/50/1
0009	SC620057 51	STARTING RELAY 230/60/1 SC670099 10
0010	SC620167 00	START.CAP. - 230/50/1
0012	SC650109 00	VALVE BODY
0013	SC670012 00	VALVE CORE
0014	SC650106 00	CAP
0015	SC620434 00	AIR COOLED CONDENSER
0019	SC620419 04	FAN MOTOR ATEX - 230/50-60
0019	SC620419 05	FAN MOTOR - 115/60
0019	SC620419 65	BRACKET
0020	SC620419 34	BLADE
0020	SC620419 35	BLADE
0025	SC670006 01	FILTER
0026	SC620306 17	USE SC620306 51
0026	SC620306 46	HOT GAS VALVE BODY
0026	SC620306 48	HOT GAS VALVE COIL
0027	SC784434 05R	EVAPORATOR ASSY - LARGE
0027	SC784435 05R	EVAPORATOR ASSY-MEDIUM
0027	SC784436 01R	EVAPORATOR ASSY - SMALL
0028	SC784702 01R	SUCTION LINE

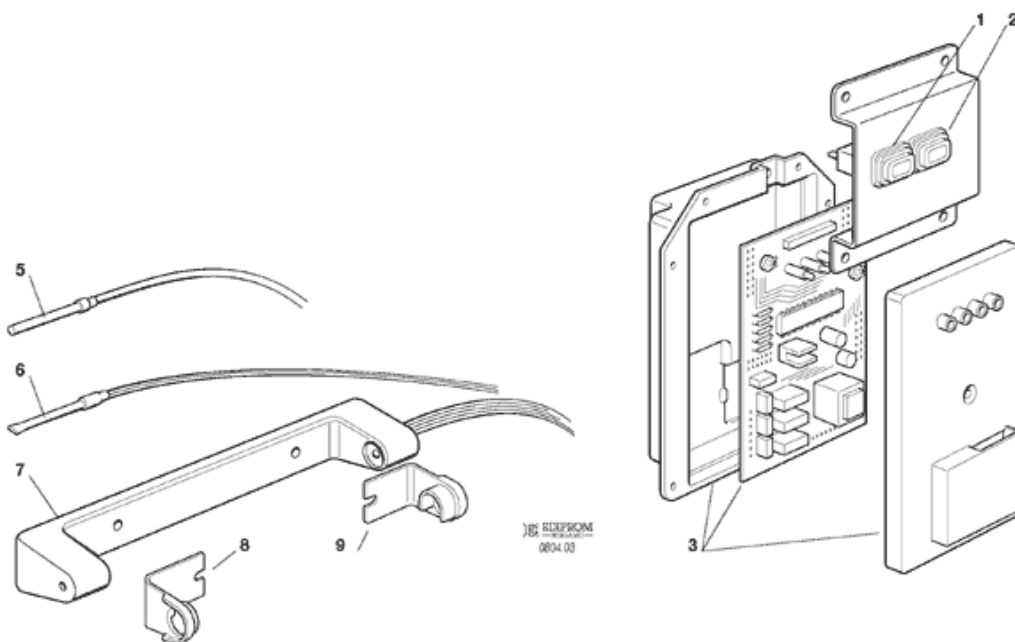


Pos	Code	Description
0001	SC670099 10	COMPRESSOR - USE SC670099 23 220/60/1
0001	SC670099 22	COMPRESSOR - 230/50/1
0005	SC620058 76	PROTECTOR - 230/50/1
0005	SC620058 82	PROTECTOR - 220/60/1 SC670099 10
0008	SC620167 14	CAPACITOR - 230/50-60
0009	SC620057 41	STARTING RELAY 230/50/1
0009	SC620057 51	STARTING RELAY 230/60/1 SC670099 10
0010	SC620167 00	START.CAP. - 230/50/1
0012	SC650109 00	VALVE BODY
0013	SC670012 00	VALVE CORE
0014	SC650106 00	CAP
0015	SC620495 00	CONDENSER, WATER
0018	SC400053 00	NUT
0019	SC400031 01	WASHER
0020	SC733205 04	WATER INLET FITTING
0021	SC620111 00	WATER REGUL. VALVE
0022	SC733208 02	COUPLING
0023	SC281900 05	NO LONGER AVAILABLE
0025	SC281900 05	NO LONGER AVAILABLE
0027	SC733204 00	WATER INLET FITTING
0028	SC400030 01	NUT
0029	SC400031 00	WASHER
0030	SC670006 01	FILTER
0031	SC620306 17	USE SC620306 51
0031	SC620306 46	HOT GAS VALVE BODY
0031	SC620306 48	HOT GAS VALVE COIL
0032	SC784434 05R	EVAPORATOR ASSY - LARGE
0032	SC784435 05R	EVAPORATOR ASSY-MEDIUM
0032	SC784436 01R	EVAPORATOR ASSY - SMALL
0033	SC784702 01R	SUCTION LINE

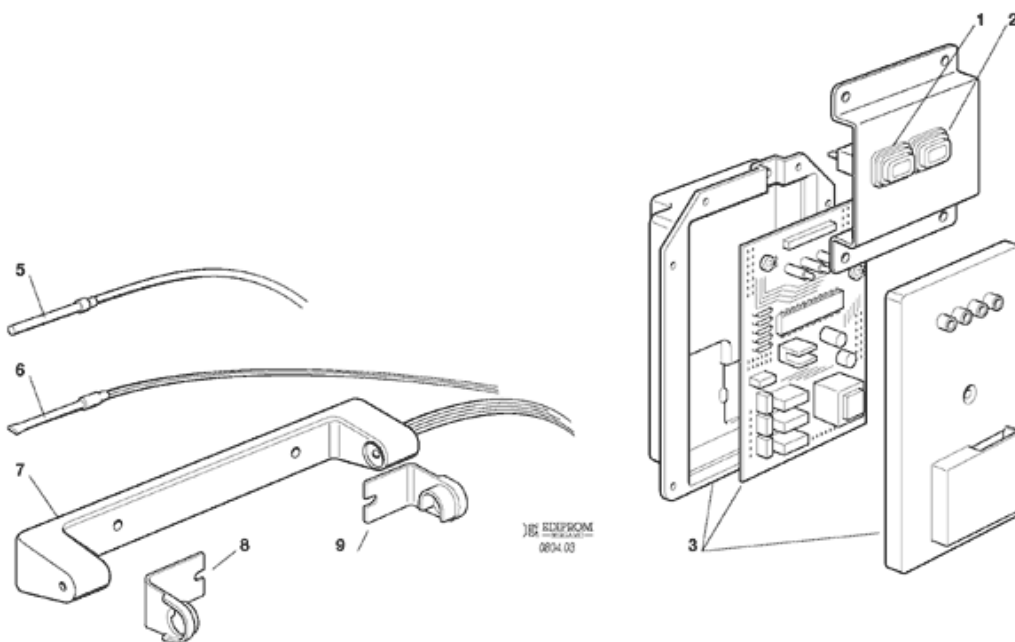


Pos	Code	Description
0001	SC650105 54	WATER INLET VALVE
0002	SC281900 04	TUBE
0007	SC784344 00R	EVAPORATOR ASSY
0008	SC660487 01	INNER BOTTOM
0009	SC660491 00	EVAPORATOR COVER
0010	SC650538 00	INSULATION
0012	SC620430 02	WATER PUMP - 230/60/1
0012	SC620430 09R	WATER PUMP - 230/50/1
0013	SC723132 05	PUMP BRACKET
0015	SC660489 00	BRACKET
0016	SC610148 10	TUBE
0017	SC610188 00	USE SC610188 01
0018	SC660483 00	PLASTIC FLANGE
0020	SC660475 00	WATER JET BEARING
0021	SC440013 08	TRUST WASHER
0022	SC793127 03	SPRAY BAR
0023	SC660488 01	MOBILE INNER BOTTOM
0024	SC660477 04	ICE CHUTE MC 16 SHORT
0025	SC660477 09	WORKED CONVEYOR COVER MC46SPL
0026	SC610167 00	USE SC610167 03
0028	SC660224 00	TEE TUBE
0029	SC660535 00	PLASTIC NUT
0035	SC620460 00	WATER DRAIN VALVE





Pos	Code	Description
0001	SC620487 01	SWITCH
0002	SC620487 00	GREEN SWITCH
0003	SC060711 00	PC BOARD KIT - 230/50-60/1
0005	SC620404 10	EVAPORATOR SENSOR - NLA
0006	SC620404 11	CONDENSER SENSOR
0007	SC650674 07	OPTICAL ICE LEVEL CTRL



Зип Общепит

vsezip.ru

Pos	Code	Description
0001	SC620487 01	SWITCH
0002	SC620487 00	GREEN SWITCH
0003	SC620462 12	PC BOARD - 115/50/1
0003	SC620462 24	PC BOARD - 230/50-60/1
0003	SC630015 15	FUSE T6,3A - 250V
0005	SC620519 01	EVAPORATOR SENSOR NTC
0006	SC620519 04	CONDENSER SENSOR NTC
0007	SC650674 07	OPTICAL ICE LEVEL CTRL

(812)987-08-81