

Зип Общепит

Washer-Extractor

27, 50, 55 and 240 Models

Refer to Page 5 for Model Numbers

Parts



Зип Общепит

vsezip.ru

+7(812)987-08-81

Table of Contents

Title	Page
Parts Ordering Information.....	4
Serial Plate Location	4
Model Identification	5
Logo Label - Non-Brand Models	6
Upper Frame	8
Lower Frame	10
Stabilizing Springs - AF Non-Brand, HY, IY, J, NY, SY and UY Models.....	12
Stabilizing Springs - AF, FX, HX, LP, LY, MWF, PY and SW Models.....	14
Stabilizing Springs - AF, IY, J and NY Models.....	16
Stabilizing Springs - FX and PY Models	18
Cabinet - AF Non-Brand, HY, NY, SY and UY Models (Drawing 1 of 2).....	20
Cabinet - AF Non-Brand, HY, NY, SY and UY Models (Drawing 2 of 2).....	22
Cabinet - IY and J Models (Drawing 1 of 2).....	24
Cabinet - IY and J Models (Drawing 2 of 2).....	26
Cabinet - AF, FX, HX, LP, LY, MWF, PY and SW Models (Drawing 1 of 2).....	28
Cabinet - AF, FX, HX, LP, LY, MWF, PY and SW Models (Drawing 2 of 2).....	30
Cabinet - AF, IY, JY and NY Models (Drawing 1 of 3).....	32
Cabinet - AF, IY, JY and NY Models (Drawing 2 of 3).....	34
Cabinet - AF, IY, JY and NY Models (Drawing 3 of 3).....	36
Cabinet - FX and PY Models (Drawing 1 of 2).....	38
Cabinet - FX and PY Models (Drawing 2 of 2).....	40
Control Panel - AF Non-Brand, HY, NY, SY and UY Models.....	42
Control Panel - AF Non-Brand, NY and SY Vended Models (Drawing 1 of 3).....	44
Control Panel - AF Non-Brand, NY and SY Vended Models (Drawing 2 of 3).....	46
Control Panel - AF Non-Brand, NY and SY Vended Models (Drawing 3 of 3).....	48
Control Panel - IY and J Models	50
Control Panel - IY and J Vended, CE and Watermark Models (Drawing 1 of 3).....	52
Control Panel - IY and J Vended, CE and Watermark Models (Drawing 2 of 3).....	54
Control Panel - IY and J Vended, CE and Watermark Models (Drawing 3 of 3).....	56
Control Panel - AF, FX, HX, LP, LY, MWF, PY and SW Models (Drawing 1 of 2).....	58
Control Panel - AF, FX, HX, LP, LY, MWF, PY and SW Models (Drawing 2 of 2).....	60
Coin Meter - AF, FX, LP, LY, MWF and PY (Drawing 1 of 3)	62
Coin Meter - AF, FX, LP, LY, MWF and PY (Drawing 2 of 3)	64
Coin Meter - AF, FX, LP, LY, MWF and PY (Drawing 3 of 3)	66
Control Panel OPL - AF, IY and NY Models	68
Control Panel Vended - AF, IY and NY Models	70
Control Panel for Central Payment System - AF, IY and NY Models.....	72
Control Panel OPL - AF, IY, JY and NY Models	74
Control Panel Vended - AF, IY, JY and NY Models	76
Control Panel for Central Payment System - AF, IY, JY and NY Models	78
Control Panel OPL - FX and PY Models	80

© Copyright 2022 Alliance Laundry Systems LLC

All rights reserved. No part of the contents of this book may be reproduced or transmitted in any form or by any means without the expressed written consent of the publisher.

Control Panel OPL - FX and PY Models	82
Control Panel Vended - FX and PY Models	84
Control Panel Vended - FX and PY Models	86
Control Panel for Central Payment System - FX and PY Models	88
Control Panel for Central Payment System - FX and PY Models	90
Coin Meter Box	92
Coin Meter Box - AF, IY and NY Models	94
Coin Meter - AF, IY and NY Models (Drawing 1 of 3)	96
Coin Meter - AF, IY and NY Models (Drawing 2 of 3)	98
Coin Meter - AF, IY and NY Models (Drawing 3 of 3)	100
Door (Drawing 1 of 3)	102
Door (Drawing 2 of 3)	104
Door (Drawing 3 of 3)	106
Door - AF, IY, JY and NY Models	108
Door - FX and PY Models	110
Door Lock - Models with Serial No. Through 240FX009978SF	112
Door Lock - Models with Serial No. Starting 240FX009979SF	114
Water Inlet System (Drawing 1 of 2)	116
Water Inlet System (Drawing 2 of 2)	118
Water Inlet System - Optional (Drawing 1 of 2)	120
Water Inlet System - Optional (Drawing 2 of 2)	122
Two Water Inlet System	124
Three Water Inlet System	126
Two Water Inlet System - Optional	128
Three Water Inlet System - Optional	130
Two Water Inlet System without Soap Hopper	132
Three Water Inlet System without Soap Hopper	134
Cabinet Reinforcement without Soap Hopper	136
Drain System - Drain Valve	138
Drain System	140
Drain System - J Models with V in 7th Position	142
Rear Panel (Drawing 1 of 3)	144
Rear Panel (Drawing 2 of 3)	146
Rear Panel (Drawing 3 of 3)	148
Rear Panel 230-400V with Neutral (Drawing 1 of 2)	150
Rear Panel 230-400V with Neutral (Drawing 2 of 2)	152
Rear Panel 400-440V (Drawing 1 of 2)	154
Rear Panel 400-440V (Drawing 2 of 2)	156
Rear Panel - 230-400V CE Models with Neutral (Drawing 1 of 2)	158
Rear Panel - 230-400V CE Models with Neutral (Drawing 2 of 2)	160
Rear Panel - 400-440V CE Models (Drawing 1 of 2)	162
Rear Panel 400-440V CE Models (Drawing 2 of 2)	164
Rear Panel - 230-400V CE Models with Neutral (Drawing 1 of 2)	166
Rear Panel - 230-400V CE Models with Neutral (Drawing 2 of 2)	168
Rear Panel - 400V 440-480V CE Models (Drawing 1 of 2)	170
Rear Panel 400V 440-480V CE Models (Drawing 2 of 2)	172
Steam Heating - All Models Except Models with V in 7th Position	174
Steam Heating - Models with V in 7th Position	176
Washing Drum and Tub - All Models Except Models with V in 7th Position	178
Washing Drum and Tub - Models with V in 7th Position (Drawing 1 of 2)	180

Washing Drum and Tub - Models with V in 7th Position (Drawing 2 of 2).....	182
Soft Wash - With Built-In Recirculation Pump.....	184
Soft Wash - Without Built-In Recirculation Pump.....	186
Drive.....	188
Bearing Housing	190
Weighing System	192
Liquid Soap Supply System - Pumps.....	194
Filter Tank	196
Elevated Base Frame	198
Base Frame with Built-In Filter	200
Wire Harnesses	202
Parts Index.....	203

Зип Общепит

vsezip.ru

+7(812)987-08-81

Parts Ordering Information

If literature or replacement parts are required, contact the source from whom the machine was purchased or contact Alliance Laundry Systems at (920) 748-3950 for the name and address of the nearest authorized parts distributor.

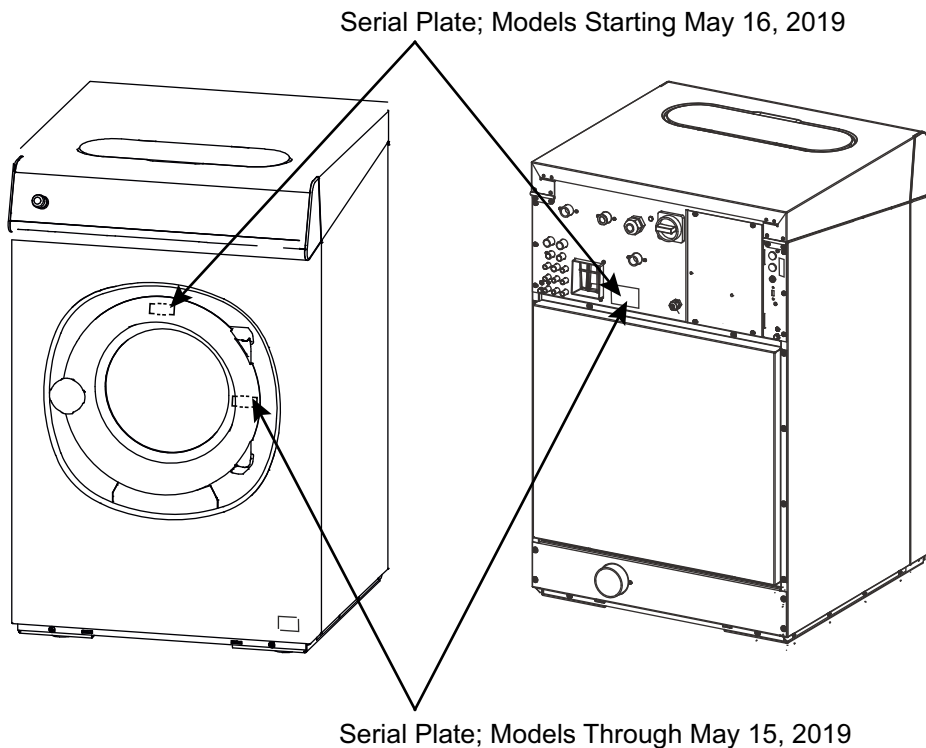
For technical assistance, call the number listed below:

(920) 748-3121 Ripon, Wisconsin

+7(812)987-08-81

Serial Plate Location

When calling or writing about your product, be sure to mention model and serial numbers. Model and serial numbers are located on serial plate(s).



CFS1954P_D2307

Model Identification

Information in this manual is applicable to these washer-extractor models:

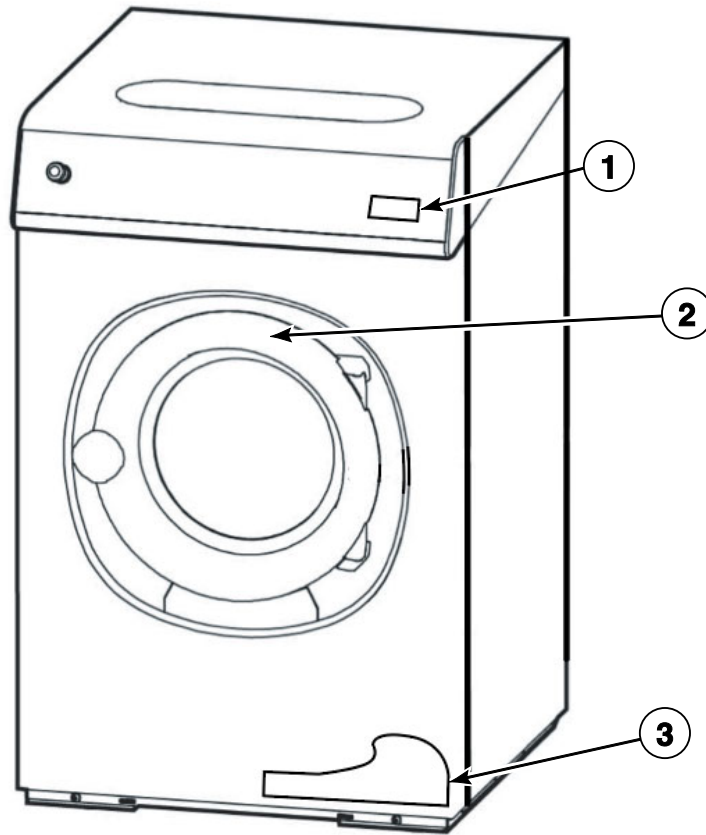
AF240_BASIC	IYA240V	IYA240V	SW240
AF240_PROFESSIONAL	IYC240J	NYC240T	SW27
AF240_X_CONTROL	IYC240R	NYC240V	SYC240A
AF240_X_CONTROL_PLUS	IYC240V	NYC240X	SYC240D
FX240_X_CONTROL	IYE240J	NYE240T	SYE240A
FX240_X_CONTROL_PLUS	IYE240R	NYE240V	SYE240D
H240_ARIES	IYE240V	NYE240X	SYG240A
H240_ARIES-ELITE	IYG240J	NYH240T	SYG240D
HX240_X_CONTROL	IYG240R	NYH240X	SYH240A
HX240_X_CONTROL_PLUS	IYH240J	NYM240T	SYH240D
HY240_HC-200	IYH240R	NYM240X	SYM240A
HY55_HC-200	IYM240J	NYR240T	SYM240D
IY240_ARIES	IYM240R	NYR240V	SYN055D
IY240_ARIES-ELITE	IYN055R	NYR240X	SYQ240A
IY240_EVOLIS_OPL	IYQ240J	NYU240T	SYQ240D
IY240_EVOLIS_VEND	IYQ240R	NYU240V	SYR240A
IY55_ARIES	IYR240J	NYU240X	SYR240D
IY55_ARIES-ELITE	IYR240R	NYX240T	SYU240A
JLA50_ARIES	IYR240V	NYX240V	SYU240D
JLA50_ARIES-ELITE	IYU240J	NYX240X	SYW240A
LPRFRAF240E	IYU240R	NYY240T	SYW240D
MWFX55_X_CONTROL	IYU240V	NYY240X	SYX240A
MWFX55_X_CONTROL_PLUS	IYW240J	PYA240V	SYX240D
PY55_X_CONTROL	IYW240R	PYC240T	SYY240A
PY55_X_CONTROL_PLUS	IYX240J	PYC240V	SYY240D
SY240_QED	IYX240R	PYC240X	UYC240I
SY240_QED-SELECT	IYX240V	PYE240T	UYE240I
SY55_QED-SELECT	IYY240J	PYE240V	UYG240I
UY240_PROFORM	IYY240R	PYE240X	UYH240I
UY55_PROFORM	JYC240J	PYH240T	UYM240I
HYC240F	JYC240R	PYH240X	UYN055I
HYE240F	JYE240J	PYM240T	UYQ240I
HYG240F	JYE240R	PYM240X	UYR240I
HYH240F	JYE240V	PYN055T	UYU240I
HYM240F	JYH240J	PYN055X	UYW240I
HYN055F	JYH240R	PYR240T	UYX240I
HYQ240F	JYX240J	PYR240V	UYZ240I
HYR240F	JYX240R	PYR240X	
HYU240F	LYC240T	PYU240T	
HYW240F	LYC240X	PYU240V	
HYX240F	LYE240T	PYU240X	
	LYE240X	PYX240T	
	LYH240T	PYX240V	
	LYH240X	PYX240X	
	LYU240T	PYY240T	
	LYU240X	PYY240X	
	LYX240T		
	LYX240X		
	LYY240T		
	LYY240X		

Logo Label - Non-Brand Models

Вин общепит

vsezip.ru

+7(812)987-08-81



CFD3558P_D2307

Logo Label - Non-Brand Models

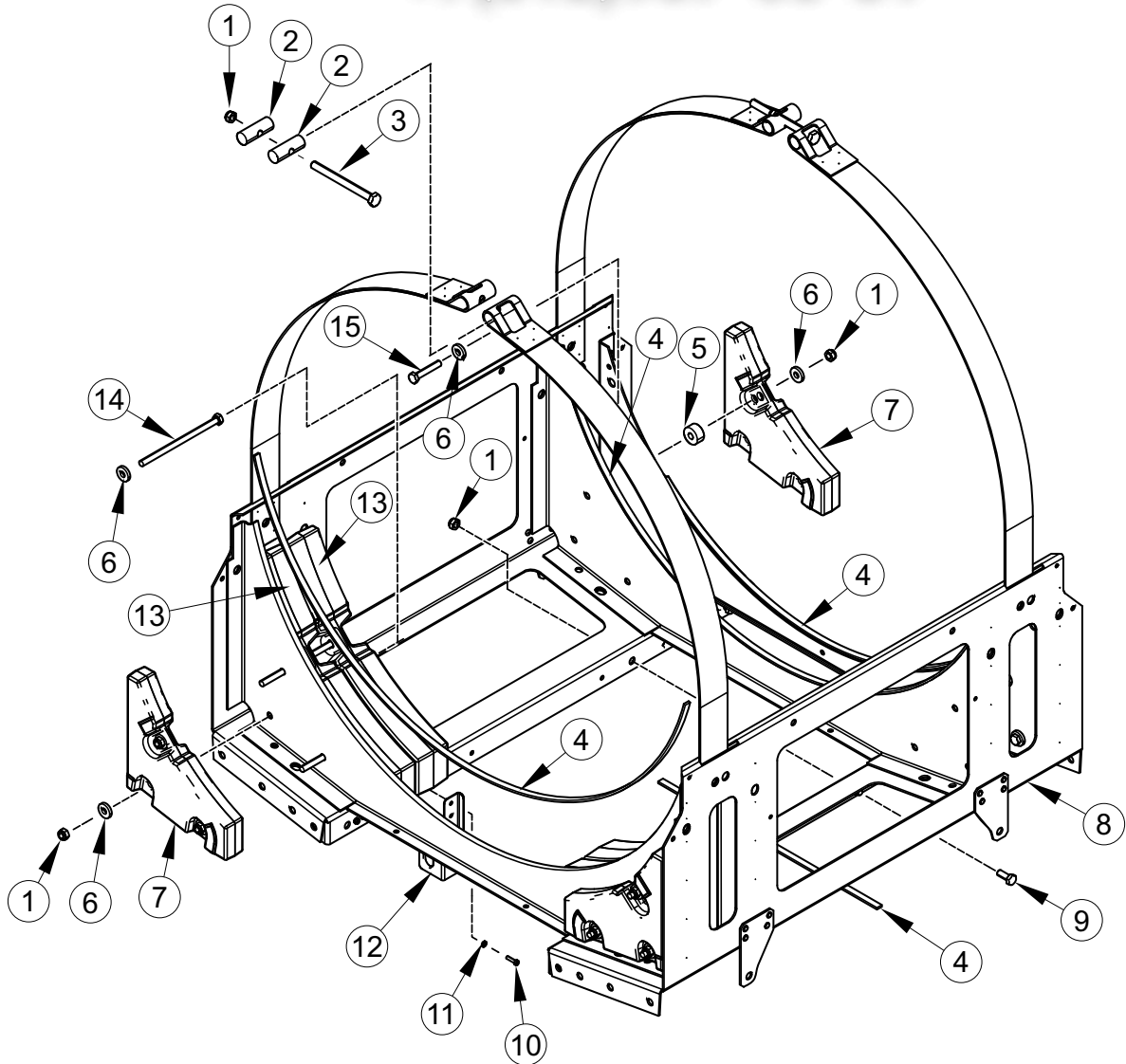
REF	PART NO.	DESCRIPTION	COMMENTS
1	572486	Label	Len Logo
2	576337	Label	Located on top inside of door
3	572487	Label	Softwash

Upper Frame

Вид Общепит

vsezip.ru

+7(812)987-08-81



C-CZW55P_D2307

Upper Frame

Вини Общепит

vsezip.ru

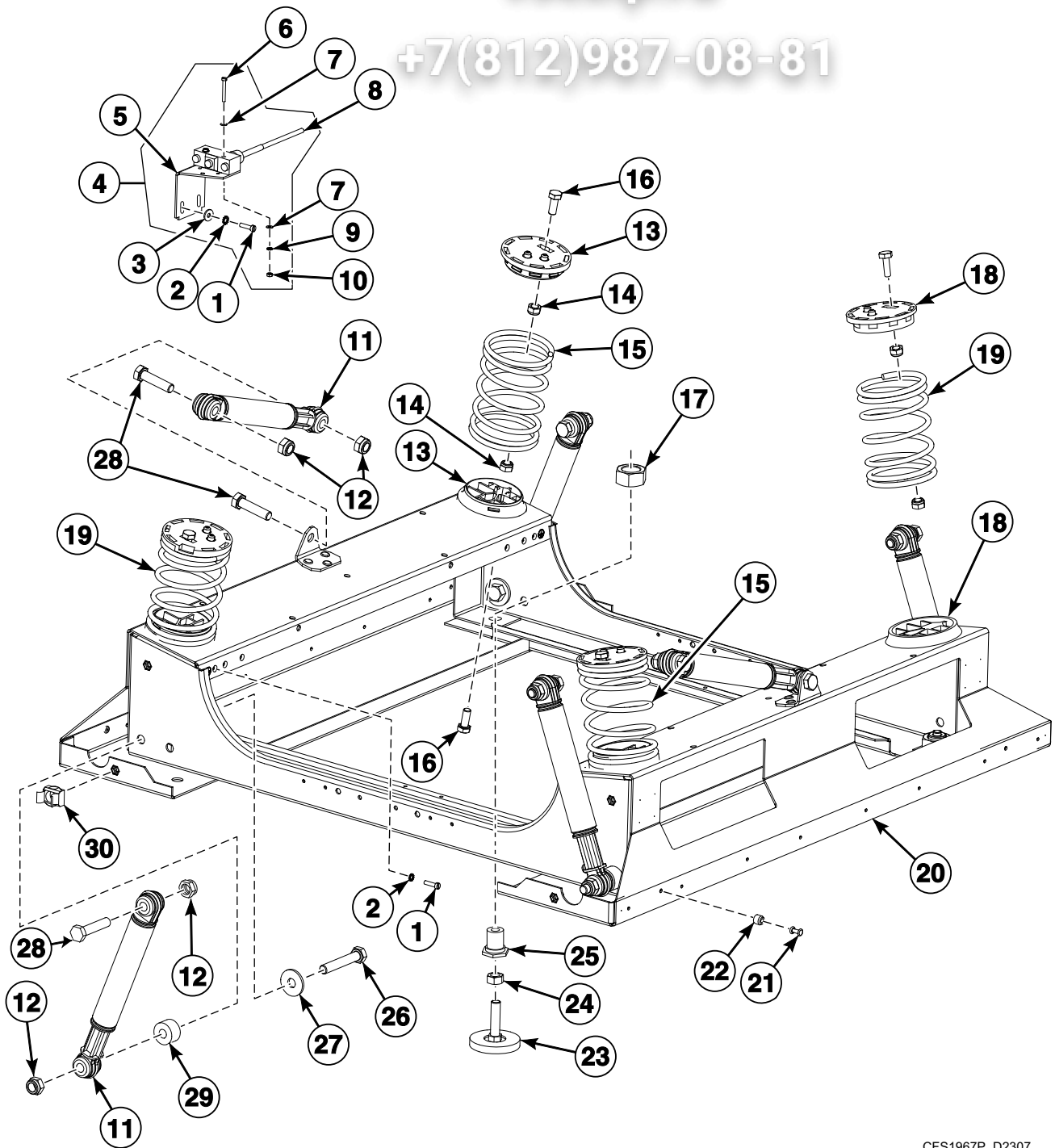
+7(812)987-08-81

REF	PART NO.	DESCRIPTION	COMMENTS
1	SP310985000008	Nut	M8
2	SP533738	Cover Strip Pin	
3	SP527093	Bolt	M8x100
4	SP517232	Seal	
5	SP515274	Distance Case	
6	SP525284	Washer	M8
7	SP533784	Lower Weight	
8	SP533806	Upper Frame	
9	SP309933000820	Bolt	M8x20
10	SP309084000416	Bolt	M4x16
11	SP311679800004	Washer	M4
12	SP533388	Oscillation Limiter	
13	SP533814	Lower Weight	
14	SP533717	Bolt	M8x150
15	SP309933000845	Bolt	M8x45

Lower Frame

vsezip.ru

+7(812)987-08-81



CFS1967P_D2307

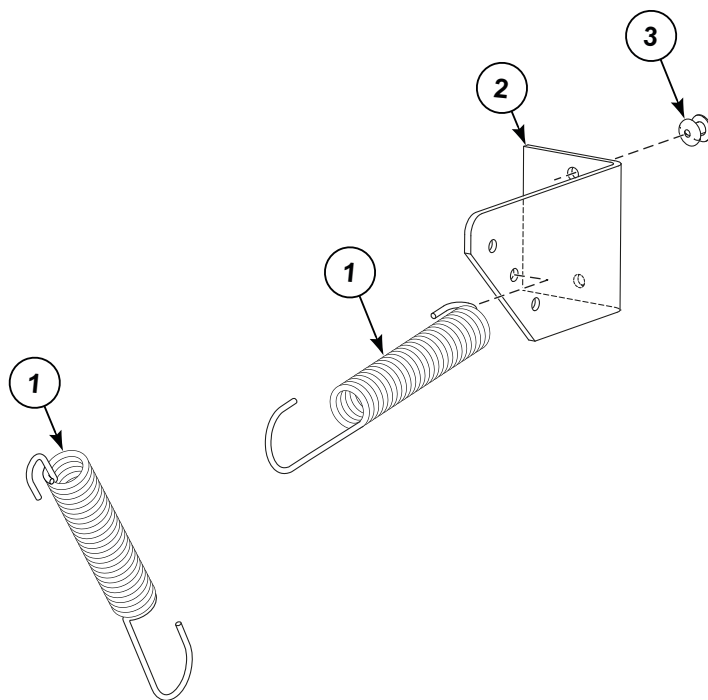
Lower Frame

REF	PART NO.	DESCRIPTION	COMMENTS
1	SP309084000416	Bolt	M4x16
2	SP311679800004	Washer	M4
3	SP311902100004	Washer	M4 - 4.0/12/1
4	SP547758	Vibration Switch Assembly	Includes items 1-7
5	SP547759	Vibration Switch Holder	
6	SP309084240325	Bolt	M3x25
7	SP311125000003	Washer	3.2
8	SP528309	Microswitch	Includes spring
9	SP311679800003	Washer	M3
10	SP310934000003	Nut	M3
11	SP533716	Damper	12 required
12	SP310985000010	Nut	M10
13	SP533873	Spring Holder	Left
14	SP310985000008	Nut	M8
15	SP533871	Spring	
16	SP309933000820	Bolt	M8x20
17	SP310934000020	Nut	M20
18	SP533872	Spring Holder	Right
19	SP533870	Spring	Right
20	SP533801	Lower Frame	
21	SP547779	Rivet	4x16.7
22	SP520408	Pin Insertion	
23	SPPRI504000001	Adjustable Foot	
24	SP310934000010	Nut	M10
25	SP533726	Bolt	
26	SP506432	Bolt	M10x60
27	SP311902100010	Washer	10
28	SP527420	Bolt	M10x40
	SP309931001050	Bolt	M10x50; Used with item 11
29	SP533727	Roller	
30	SP510923	Nut	M6

Stabilizing Springs - AF Non-Brand, HY, IY, J, NY, SY and UY Models

Except Models with G, H, J or K in 13th Position

+7(812)987-08-81



CZW431P_D2307

Stabilizing Springs - AF Non-Brand HY, IY, J, NY, SY and UY Models

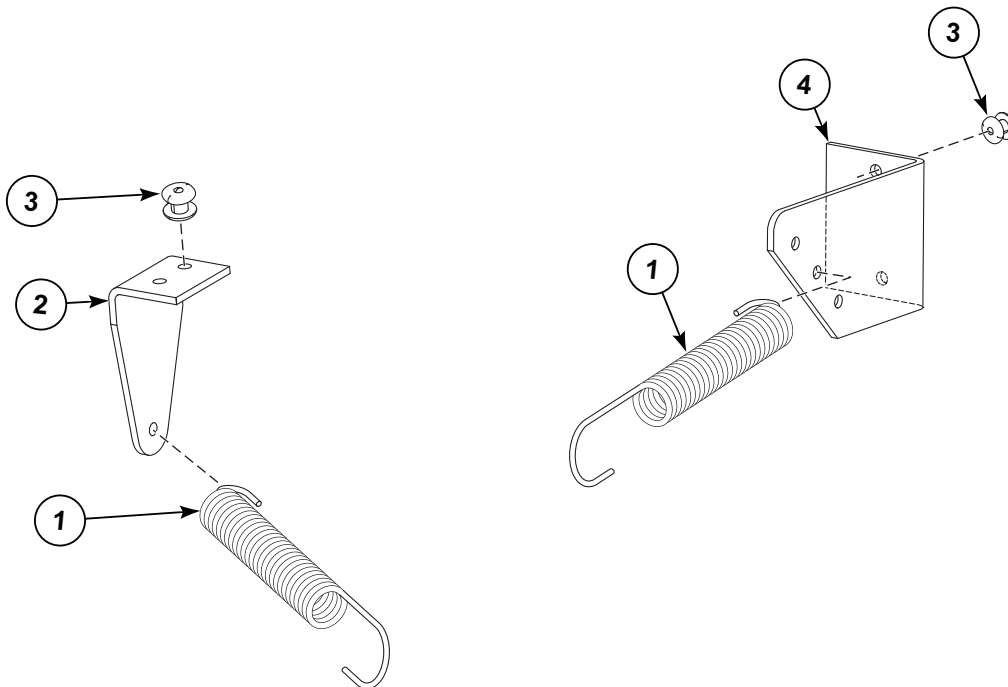
REF	PART NO.	DESCRIPTION	COMMENTS
1	SP505372	Spring	
2	SP555495	Rear Spring Holder	
3	505479	Rivet	4x8

Stabilizing Springs - AF, FX, HX, LP, LY, MWF, PY and SW Models

Except Models with V in 7th Position

vsezip.ru

+7(812)987-08-81



CZW432P_D2307

Stabilizing Springs - AF, FX, HX, LP, LY, MWF, PY and SW Models

REF	PART NO.	DESCRIPTION	COMMENTS
1	SP505372	Spring	
2	N/A	Front Spring Holder	
3	505479	Rivet	4x8
4	SP555495	Rear Spring Holder	

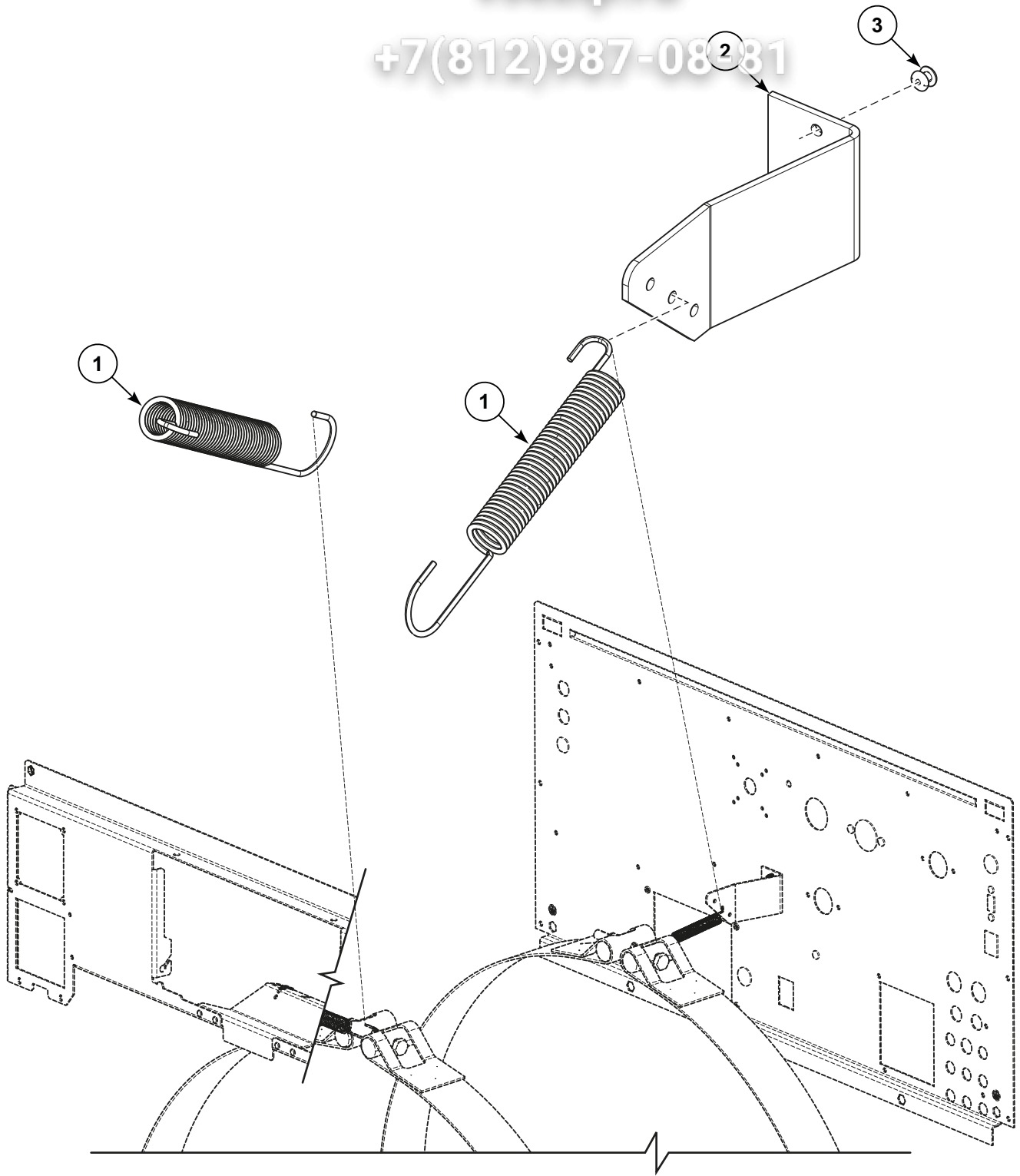
N/A = Part no longer available

Stabilizing Springs - AF, LY, J and NY Models

Models with V in 7th Position or with G, H, J or K in 13th Position

vsezip.ru

+7(812)987-0831



CZW419P_D2307

Stabilizing Springs – AF, IY, J and NY Models

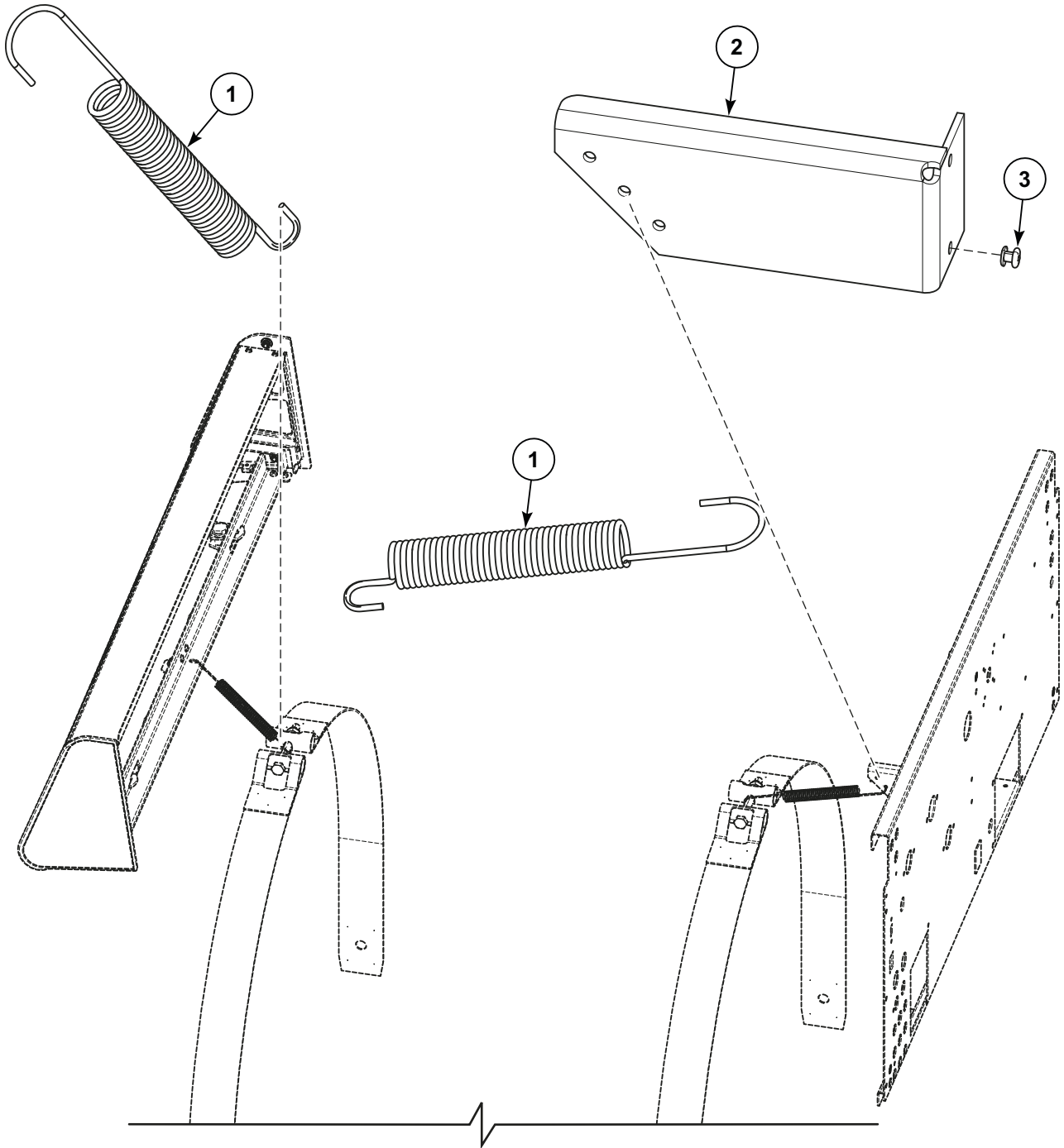
REF	PART NO.	DESCRIPTION	COMMENTS
1	SP505372	Spring	
2	SP555495	Rear Spring Holder	
3	505479	Rivet	4x6

Stabilizing Springs - FX and PY Models

Models with V in 7th Position

vsezip.ru

+7(812)987-08-81



CZW420P_D2307

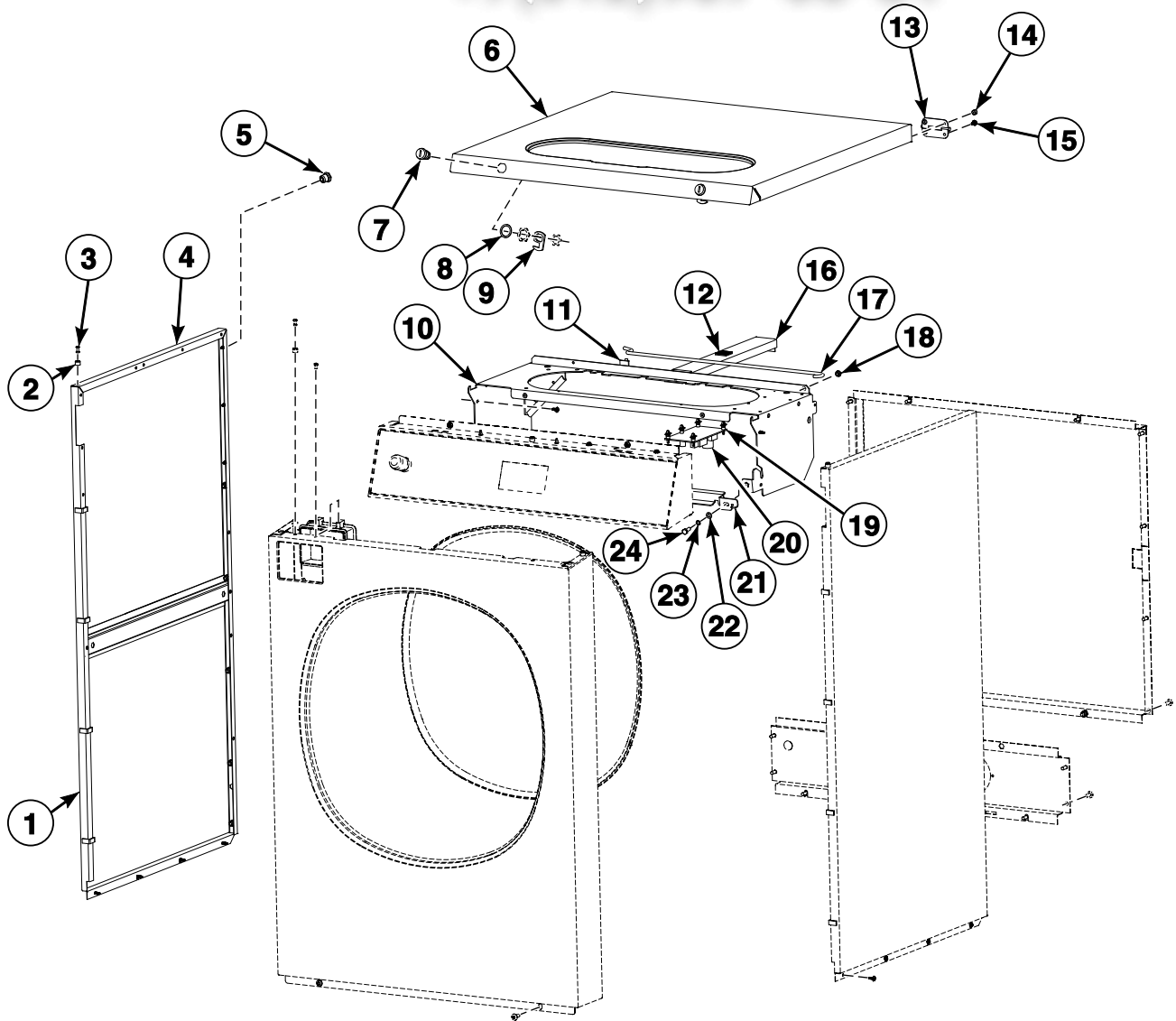
Stabilizing Springs - FX and PY Models

REF	PART NO.	DESCRIPTION	COMMENTS
1	SP505372	Spring	
2	SP555495	Rear Spring Holder	
3	505479	Rivet	4x6

Cabinet - AF Non-Brand, HY, NY, SY and UY Models (Drawing 1 of 2)

vsezip.ru

+7(812)987-08-81



CFS1971P_D2307

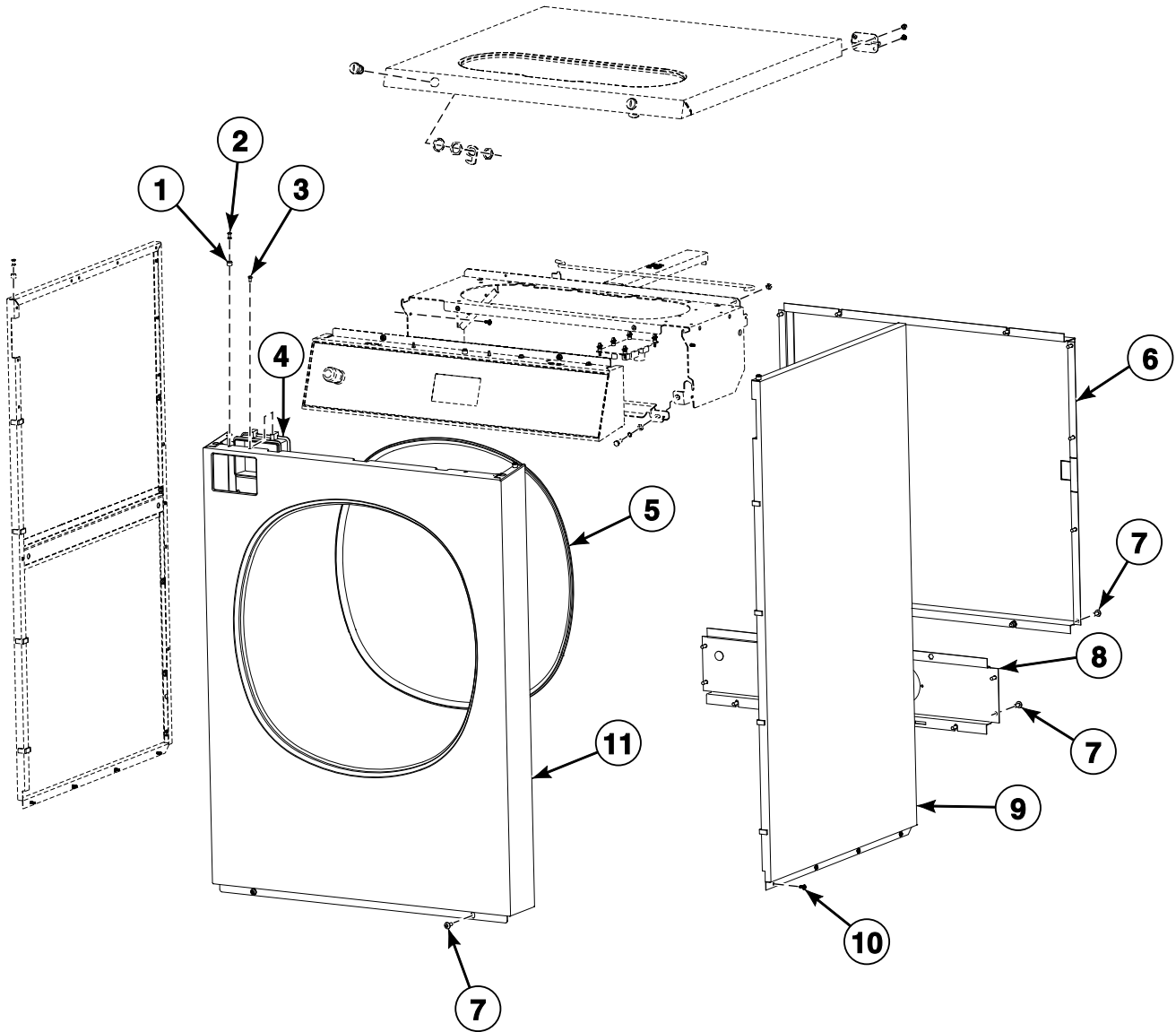
Cabinet - AF Non-Brand, HY, NY, SY and UY Models (Drawing 1 of 2)

REF	PART NO.	DESCRIPTION	COMMENTS
	SP552455	Automatic Door Opening Module Wiring	Used with SP552381 Power Terminal Protection
	SP245704003021	Adhesive	Loctite 243, Used with bolts
1	SP517232	Seal	
2	SP520408	Pin Insertion	
3	SP547779	Rivet	4x16.7
4	SP557024	Side Panel	Left; Stainless
	563512	Side Panel	AF Non-Brand and NY models; Left; Painted
5	SP313251000006	Nut	M6
6	SP557029	Top Cover	
	567879	Top Cover	Without soap hopper opening
7	SP547527	Lock	
	SP550616	Key	Used with SP547527 Lock
8	SPPRI522000012	Washer	21x27x1
9	SPPRI610002007	Hook Lock	Small
10	SP557623	Panel Holder	
11	SPPRI551016250	Hook	
12	SP550115	Fastener	
13	SP516832	Hinge	
14	SP313250048008	Rivet	4.8x8
15	SP555658	Bolt	6x16
16	SP547703	Top Cover Reinforcement	
17	SP533341	Upper Lid Prop	
18	SP273121005052	Cable Passage	5x2
19	SPPRI326002004	Holder	
20	SP552489	Automatic Unlocking Module Assembly	MC7; Includes item 18, SP553406 Automatic Door Opening Module, SP345000160971 Binding Strip, SP552455 Automatic Door Opening Module Wiring and SP552381 Power Terminal Protection
	SP545238	Automatic Unlocking Module Assembly	MC6; Includes item 18, SP547004 Automatic Door Opening Module, SP345000160971 Binding Strip and SP545235 Door Timer Wiring
21	SP558881	Reinforcement	
22	SP311125000006	Washer	6.4
23	SP311127000006	Washer	6
24	SP309933000616	Bolt	M6x16

Cabinet - AF Non-Brand, HY, NY, SY and UY Models (Drawing 2 of 2)

vsezip.ru

+7(812)987-08-81



CZW26P_D2307

Cabinet - AF Non-Brand, HY, NY, SY and UY Models (Drawing 2 of 2)

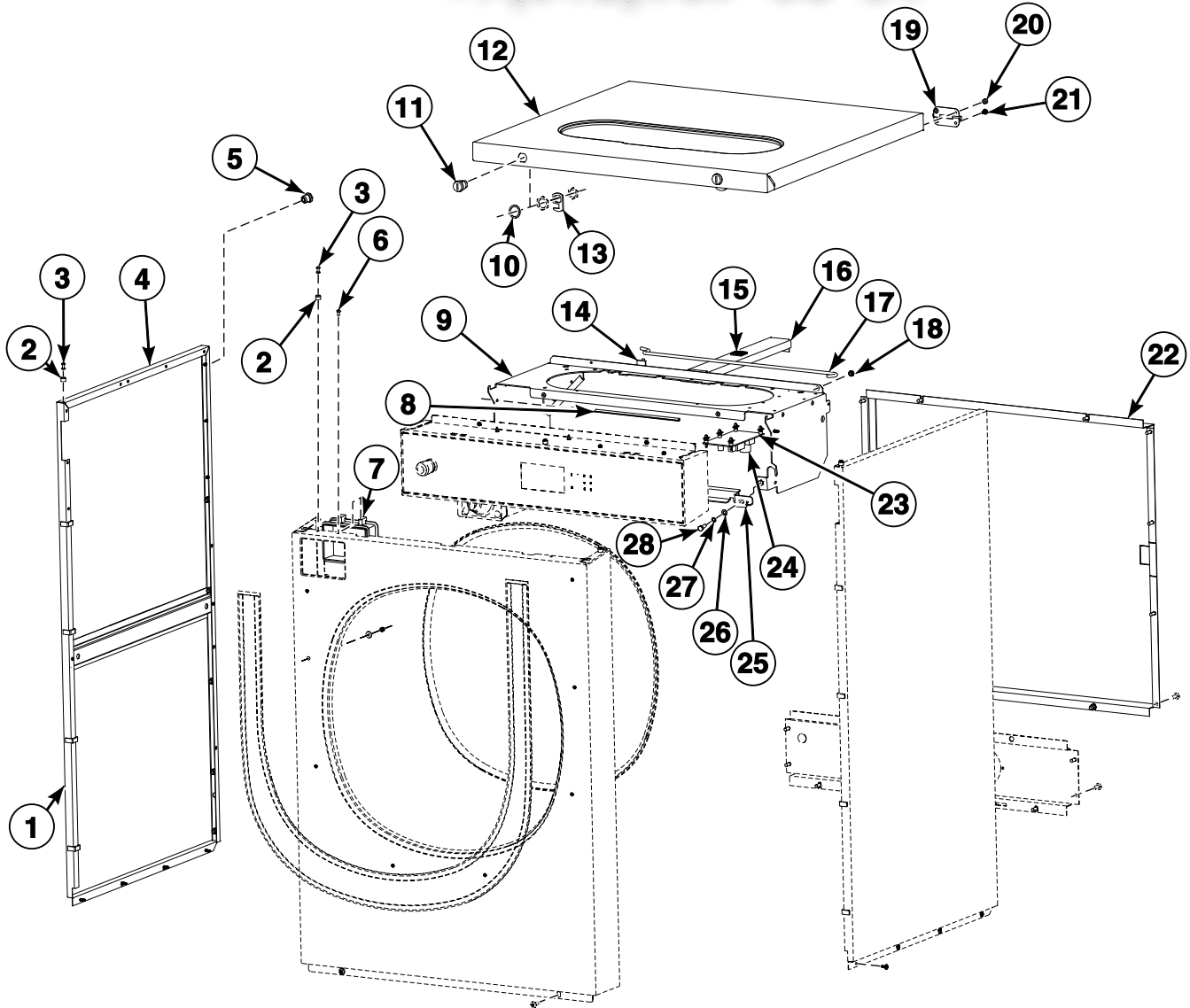
REF	PART NO.	DESCRIPTION	COMMENTS
	564844	Label	UY models; CE; Wet cleaning
1	SP520408	Pin Insertion	
2	SP547779	Rivet	4x16.7
3	SP309084000408	Bolt	M4x8
4	SP533103	Coin Vault Plate	AF Non-Brand, NY and SY models; Vended
	566737	Coin Vault Plate	AF Non-Brand, NY and SY models starting Serial No. 240FX005163HQ; Vended; Large coin meter
5	SP529068	Edge Protection	
6	SP547882	Rear Cover	
7	SP555658	Bolt	M6x16
8	SP533384	Lower Rear Cover	
	SP554326	Lower Rear Cover	2 drain valves
9	SP557025	Side Panel	Right; Stainless
	563514	Side Panel	AF Non-Brand and NY models starting Serial No. 240FX003144FH; Right; Painted
10	SP555658	Bolt	6x16
11	SP533280	Front Panel	OPL; Stainless
	563464	Front Panel	AF Non-Brand and NY models starting Serial No. 240FX003304FK; Vended; Painted
	563462	Front Panel	AF Non-Brand and NY models starting Serial No. 240FX002893FD; OPL; Painted
	SP533278	Front Panel	NY and SY models; Vended; Stainless
	568051	Front Panel	NY and SY models starting Serial No. 240FX005163HQ; Vended; Stainless steel; Large coin meter
	550446	Washer	Used to prevent sliding

Cabinet - IY and J Models (Drawing 1 of 2)

Except Models with G, H, J or K in 13th Position

vsezip.ru

+7(812)987-08-81



CFS1972P_D2307

Cabinet - IY and J Models (Drawing 1 of 2)

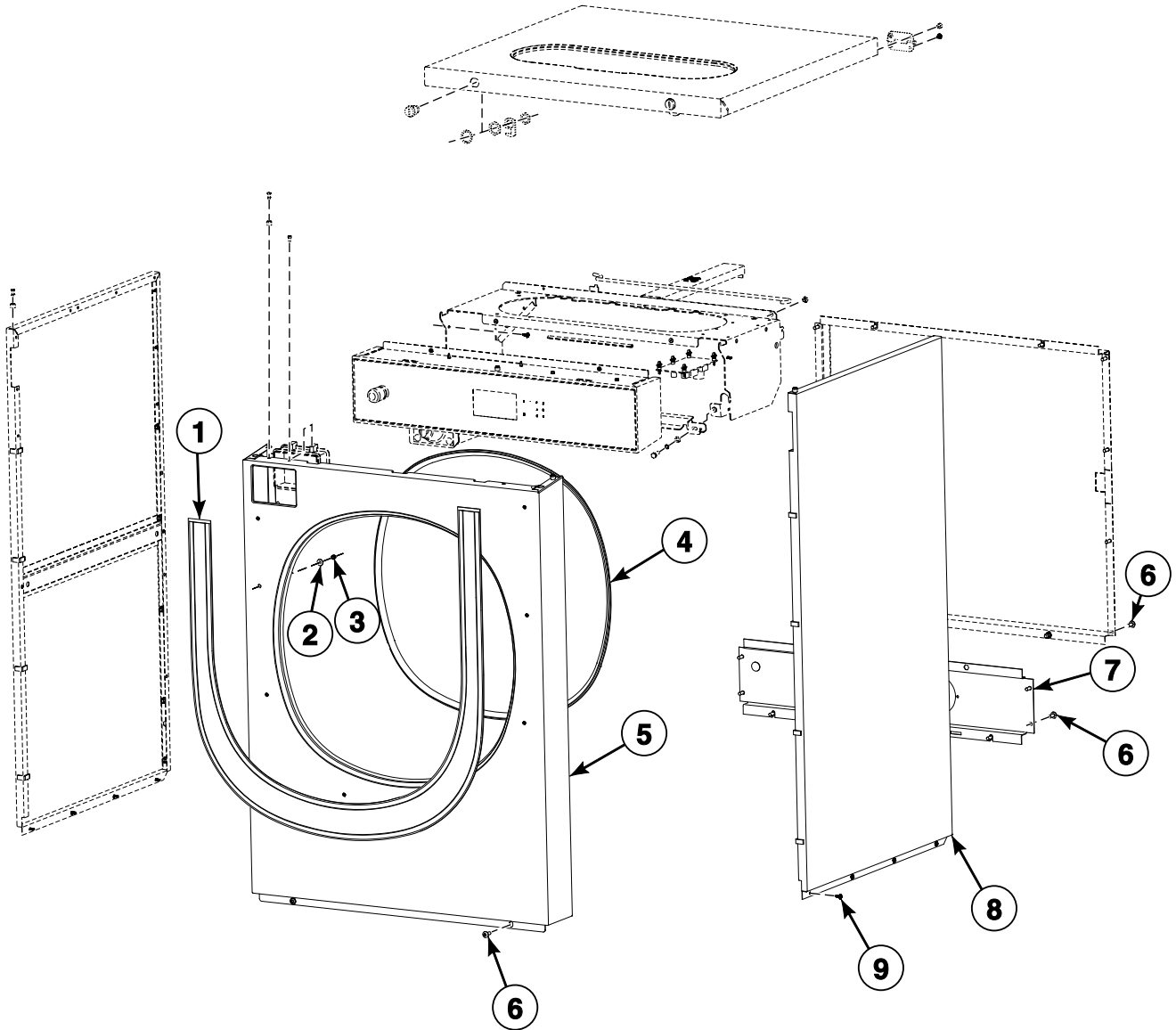
REF	PART NO.	DESCRIPTION	COMMENTS
	SP552455	Automatic Door Opening Module Wiring	Used with SP552381 Power Terminal Protection
	SP245704003021	Adhesive	Loctite 243; Used with bolts
1	SP517232	Seal	
2	SP520408	Pin Insertion	
3	SP547779	Rivet	4x16.7
4	SP557024	Side Panel	Stainless; Left
	SP558988	Side Panel	Black; Left
5	SP313251000006	Nut	M6
6	SP309084000408	Bolt	M4x8
7	SP533103	Coin Vault Plate	Vended
	566737	Coin Vault Plate	Large coin meter; Vended; Models starting Serial No. 240FX005163HQ
8	SPPRI505000058	Profiled Sealing	Models through Serial No. 240FX007198KZ
9	SP560303	Panel Holder	
10	SPPRI522000012	Washer	21x27x1
11	SP547527	Lock	
	SP550616	Key	Used with SP547527 Lock
12	SP558937	Top Cover	
13	SPPRI610002007	Hook Lock	Small
14	SPPRI551016250	Hook	
15	SP550115	Fastener	
16	SP547703	Top Cover Reinforcement	
17	SP533341	Upper Lid Prop	
18	SP273121005052	Cable Passage	5x2
19	SP516832	Hinge	
20	SP313250048008	Rivet	4.8x8
21	SP555658	Bolt	
22	SP547882	Rear Cover	
23	SPPRI326002004	Holder	
24	SP552489	Automatic Unlocking Module Assembly	MC7; Includes item 22, SP553406 Automatic Door Opening Module, SP345000160971 Binding Strip, SP552455 Automatic Door Opening Module Wiring and SP552381 Power Terminal Protection
	SP545238	Automatic Unlocking Module Assembly	MC6; Includes item 22, SP547004 Automatic Door Opening Module, SP345000160971 Binding Strip and SP545235 Door Timer Wiring
25	SP558945	Reinforcement	
26	SP311125000006	Washer	6.4
27	SP311127000006	Washer	6
28	SP309933000616	Bolt	M6x16

Cabinet - IY and J Models (Drawing 2 of 2)

Except Models with G, H, J or K in 13th Position

vsezip.ru

+7(812)987-08-81



CZW28P_D2307

Cabinet - IY and J Models (Drawing 2 of 2)

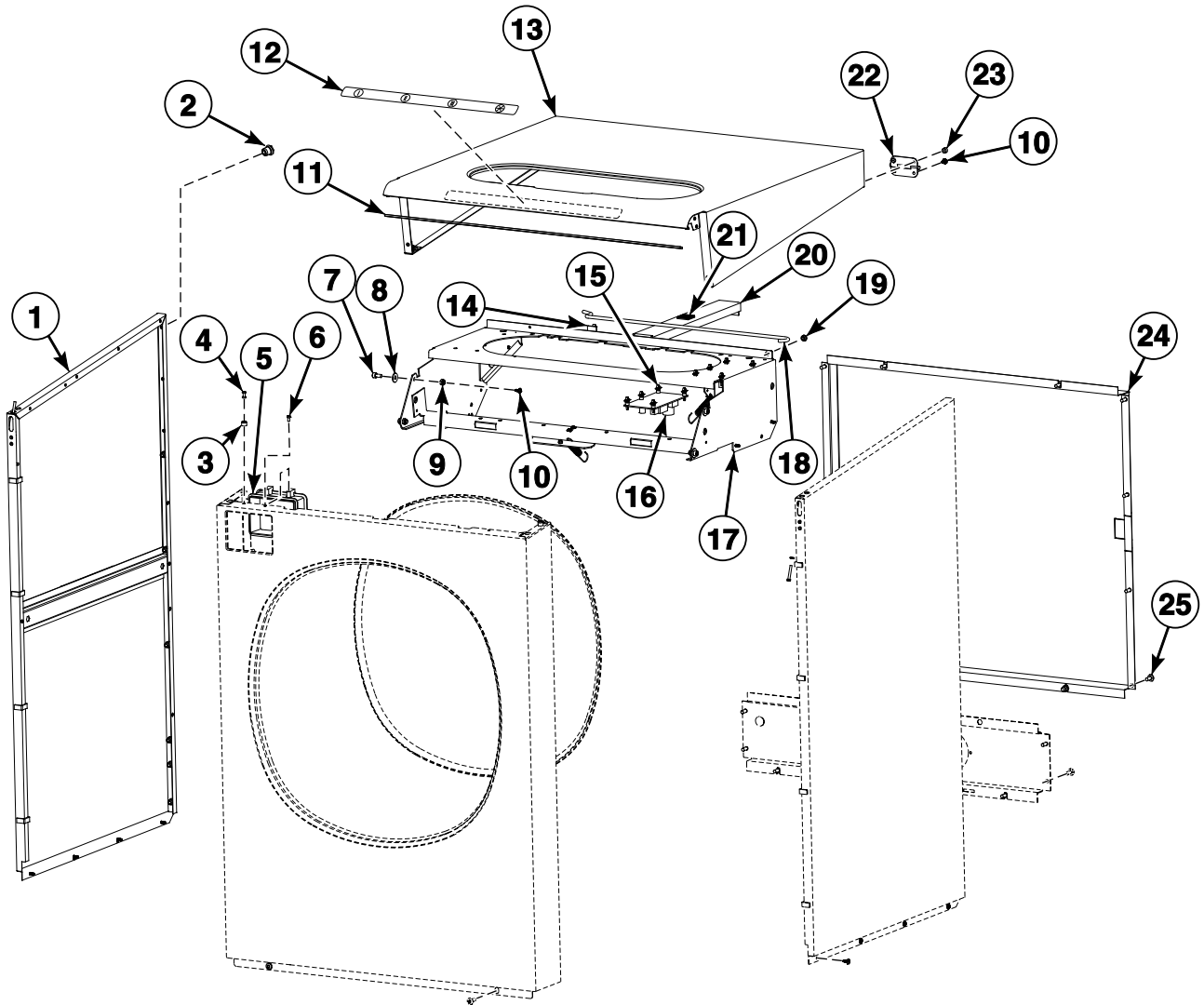
REF	PART NO.	DESCRIPTION	COMMENTS
1	SP556999	U Shape	Vended
	SP557000	U Shape	Vended
	568063	U Shape	Vended; Large coin meter; Models starting Serial No. 240FX005276HS
2	SP311902100004	Washer	M4
3	SP514193	Nut	M4
4	SP529068	Edge Protection	
5	SP557058	Front Panel	IY models; OPL; Stainless
	SP557059	Front Panel	IY models; Vended; Stainless
	SP562726	Front Panel	J models; OPL; Stainless
	SP562727	Front Panel	J models; Vended; Stainless
	568061	Front Panel	IY models; Vended; Large coin meter; Models starting Serial No. 240FX005276HS
	568065	Front Panel	J models; Vended; Large coin meter; Models starting Serial No. 240FX005276HS
	550446	Washer	Used to prevent sliding
6	SP555658	Bolt	M6x16
7	SP533384	Lower Rear Cover	
	SP554326	Lower Rear Cover	2 drain valves
8	SP557025	Side Panel	Stainless; Right
	SP558990	Side Panel	Black; Right
9	SP555658	Bolt	

Cabinet - AF, FX, HX, LP, LY, YWF, PY and SW Models (Drawing 1 of 2)

Except FX and PY models with V in 7th Position

vsezip.ru

+7(812)987-08-81



CFS1973P_D2307

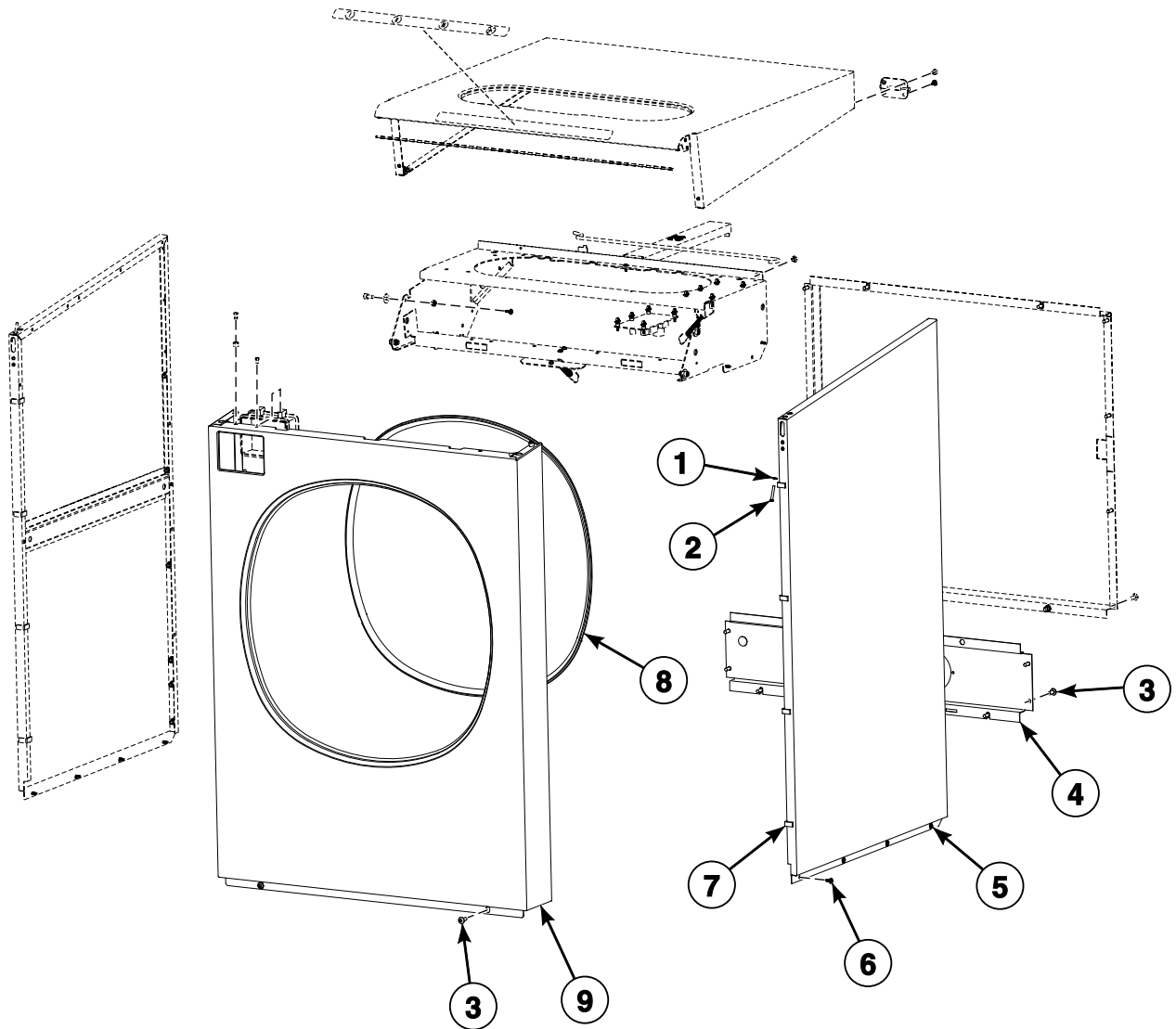
Cabinet - AF, FX, HX, LP, LY, MWF, PY and SW Models (Drawing 1 of 2)

REF	PART NO.	DESCRIPTION	COMMENTS
	SP552455	Automatic Door Opening Module Wiring	Used with SP552381 Power Terminal Protection
	SP245704003021	Adhesive	Loctite 243, Used with bolts
1	SP550330	Side Panel	Models through Serial No. 240FX002892FD; Painted; Left
	563484	Side Panel	Models starting Serial No. 240FX002893FD; Painted; Left
	SP550354	Side Panel	Stainless; Left
2	SP313251000006	Nut	M6
3	SP520408	Pin Insertion	
4	SP547779	Rivet	4x16.7
5	SP533103	Coin Vault Plate	
	566737	Coin Vault Plate	Large coin meter; Vended; Models starting Serial No. 240FX005163HQ
6	SP309084000408	Bolt	M4x8
7	SP506431	Bolt	M6x12
8	SP311902100006	Washer	6
9	SP310985000006	Nut	M6
10	SP529206	Screw	4x11
11	SP284000012003	Tape	
12	560786	Label	Soap hopper; PYN models; CSA; Vended
13	SP550309	Top Cover	AF, FX, HX, LP, LY, MWF and PY models
	SP555670	Top Cover	Without soap hopper opening
14	SPPRI551016250	Hook	
15	SPPRI326002004	Holder	
16	SP552489	Automatic Unlocking Module Assembly	MC7; Includes item 14, SP553406 Automatic Door Opening Module, SP345000160971 Binding Strip, SP552455 Automatic Door Opening Module Wiring and SP552381 Power Terminal Protection
	SP545238	Automatic Unlocking Module Assembly	MC6; Includes item 14, SP547004 Automatic Door Opening Module, SP345000160971 Binding Strip and SP545235 Door Timer Wiring
17	SP533296	Panel Holder	
18	SP533341	Upper Lid Prop	
19	SP273121005052	Cable Passage	5x2
20	SP547703	Top Cover Reinforcement	
21	SP550115	Fastener	
22	SP516832	Hinge	
23	SP555658	Bolt	M6x16
24	SP547882	Rear Cover	
25	SP313250048008	Rivet	4.8x8

Cabinet - AF, FX, HX, LP, LY, YWF, PY and SW Models (Drawing 2 of 2)

Except FX and PY models with V in 7th Position

+7(812)987-08-81



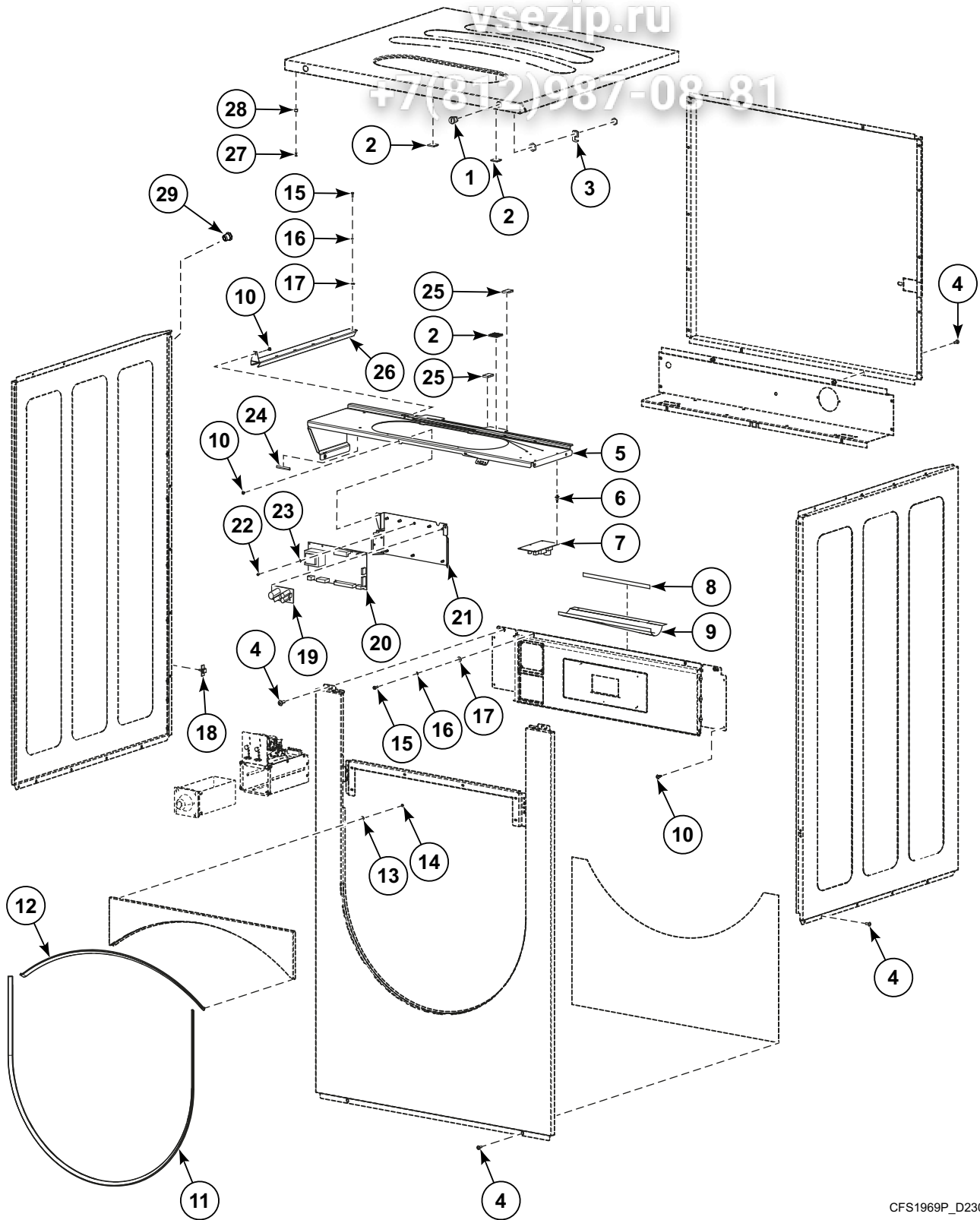
CZW30P_D2307

Cabinet - AF, FX, HX, LP, L-Y, YWF, PY and SW Models (Drawing 2 of 2)

REF	PART NO.	DESCRIPTION	COMMENTS
1	SP311679800004	Washer	M4
2	SP550482	Bolt	M4x25
3	SP555658	Bolt	M6x16
4	SP533384	Lower Rear Cover	
	SP554326	Lower Rear Cover	2 drain valves
5	SP550332	Side Panel	Models through Serial No. 240FX002892FD; Painted; Right; CE and Watermark
	563486	Side Panel	Models starting Serial No. 240FX002893FD; Painted; Right; CE and Watermark
	SP550356	Side Panel	Stainless; Right
6	SP529206	Screw	4x11
7	SP517232	Seal	
8	SP529068	Edge Protection	
9	SP533211	Front Panel	Models through Serial No. 240FX002892FD; OPL; Painted; CE and Watermark
	563462	Front Panel	Models starting Serial No. 240FX002893FD; OPL; Painted; CE and Watermark
	SP533213	Front Panel	Models through Serial No. 240FX003303FK; Vended; Painted; CE and Watermark
	563464	Front Panel	Models starting Serial No. 240FX003304FK; Vended; Painted; CE and Watermark
	SP533280	Front Panel	OPL; Stainless
	SP533278	Front Panel	Vended; Stainless
	568051	Front Panel	Models starting Serial No. 240FX005163HQ; Vended; Stainless steel; Large coin meter
	568049	Front Panel	Models starting Serial No. 240FX005163HQ; Vended; Painted; Large coin meter; CE and Watermark
	550446	Washer	Used to prevent sliding

Cabinet - AF, IY, JY and NY Models (Drawing 1 of 3)

Models with V in 7th Position or with G, H, J or K in 13th Position



CFS1969P_D2307

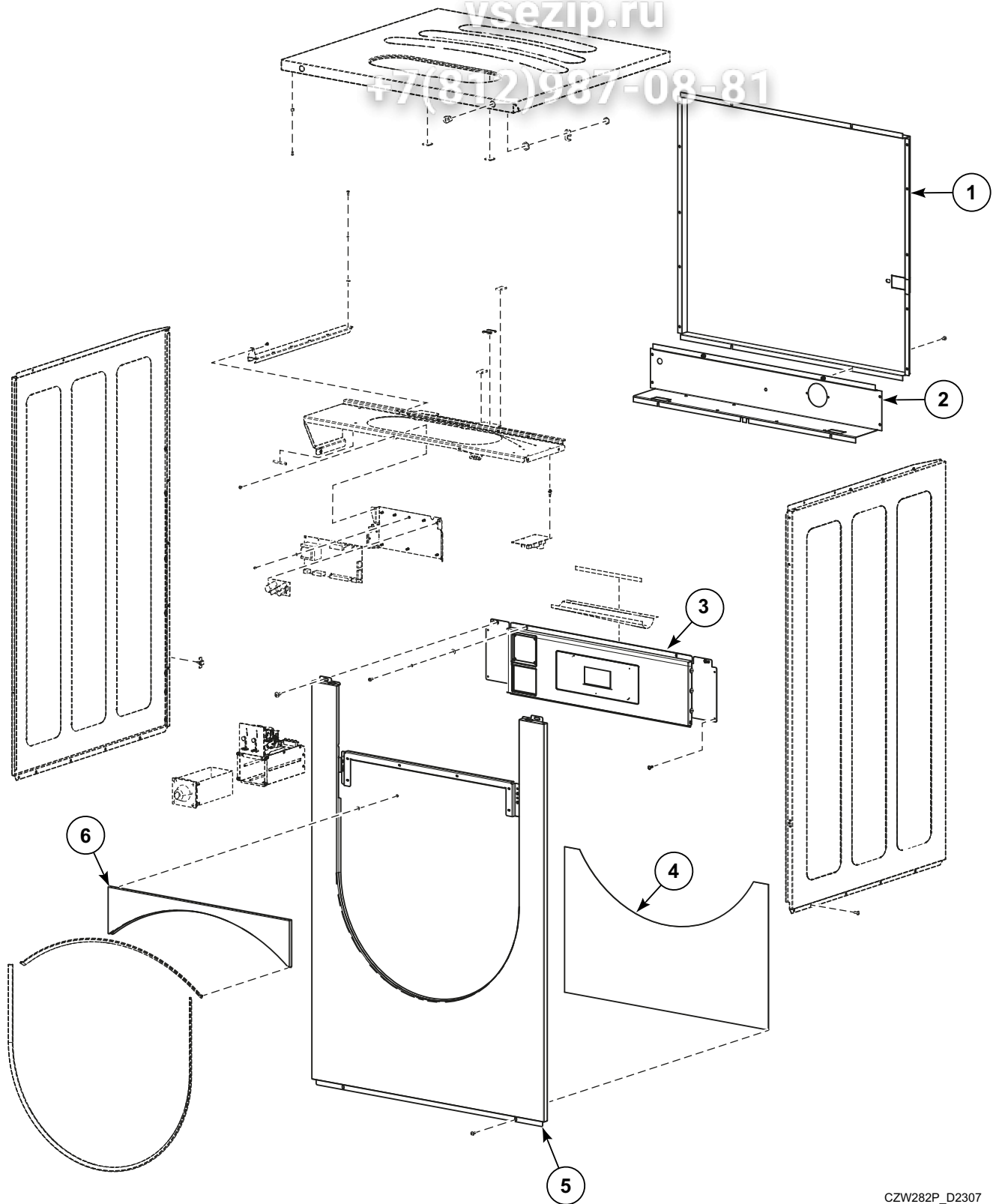
Cabinet - AF, IY, JY and NY Models (Drawing 1 of 3)

REF	PART NO.	DESCRIPTION	COMMENTS
1	SP547527	Lock	includes Nuts - 2 pieces
2	SP550115	Fastener	
3	SPPRI610002007	Hook Lock	
4	SP555658	Bolt	M6x10
5	567975	Panel Holder	
6	SPPRI326002004	Holder	
7	SP552489	Automatic Unlocking Module Assembly	MC7; Includes item 3, SP553406 Automatic Door Opening Module, SP345000160971 Binding Strip, SP552455 Automatic Door Opening Module Wiring and SP552381 Power Terminal Protection
8	SP537896	Adhesive	Reversible
9	569656	Cover	
10	SP529206	Screw	4x11
11	SP529068	Edge Protection	1.6m
12	SP529068	Edge Protection	0.66m
13	SP311902100004	Washer	4
14	SP514193	Nut	M4
15	SP555504	Bolt	M4x12
16	SP311127000004	Washer	4
17	SP311902100004	Washer	M4
18	SP528313	Cable Holder	
19	N/A	Module	Door Lock
20	SP553405	Control Board I/O	MC7; Power
	575630	Control Board I/O	MC10; Power; Used with 569701 Interconnection Flat Cable
21	569578	Programmer Holder	Includes SPPRI212000055 Nut
22	SP309798500306	Bolt	M3x6
23	SP311679800003	Washer	M3
24	SPPRI505000058	Profiled Sealing	0.05m
25	564202	Seal	0.1m
26	567826	Top Cover Reinforcement	
27	SP547779	Rivet	
28	SP520408	Pin Insertion	
29	SP313251000006	Nut	M6

N/A = Part no longer available

Cabinet - AF, IY, JY and NY Models (Drawing 2 of 3)

Models with V in 7th Position or with G, H, J or K in 13th Position



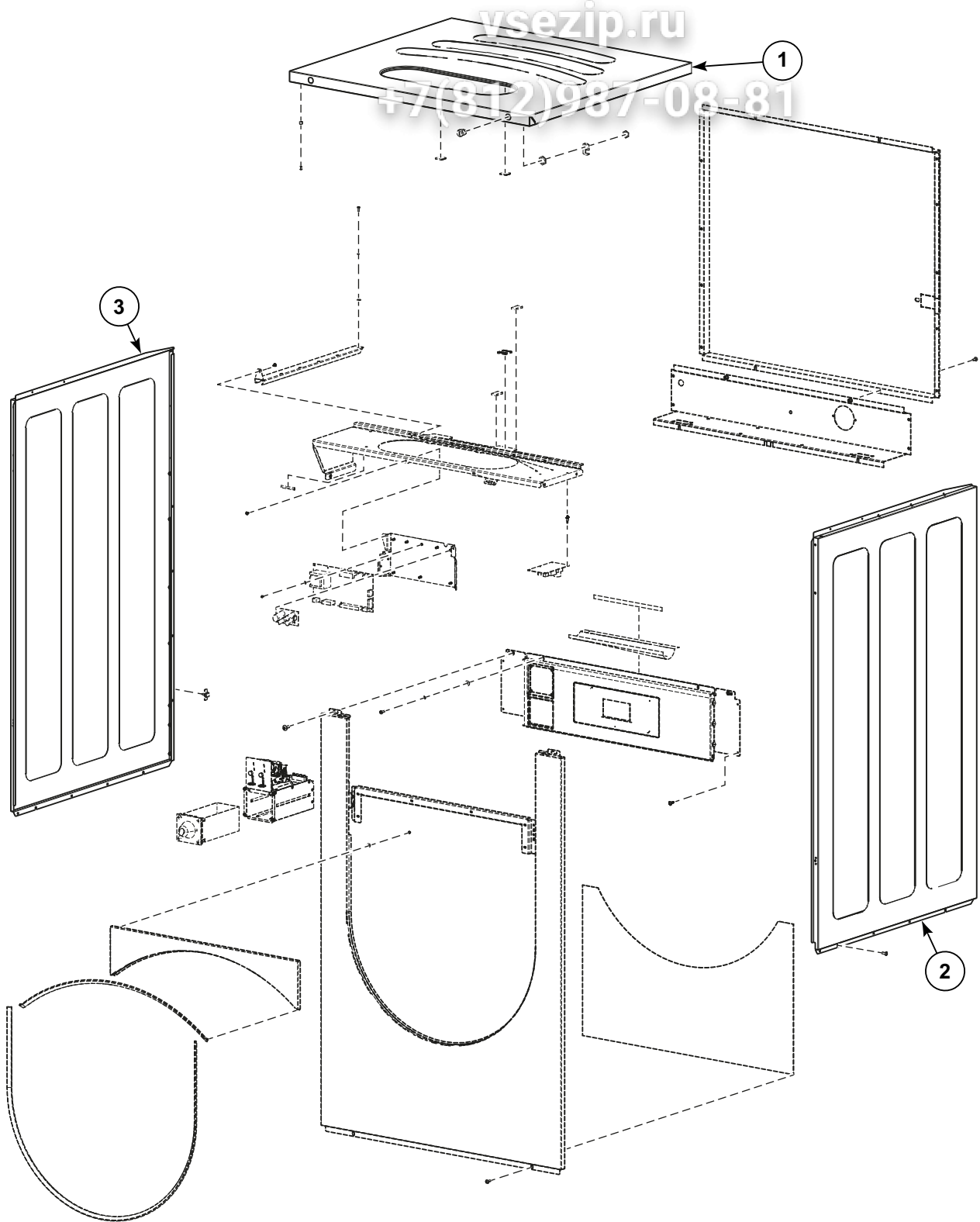
CZW282P_D2307

Cabinet - AF, IY, JY and NY Models (Drawing 2 of 3)

REF	PART NO.	DESCRIPTION	COMMENTS
1	570469	Rear Cover	
2	SP533384	Lower Rear Cover	
3	573028	Control Panel	
4	550112	Antivibration Foil	15x30
5	571101	Front Panel	Stainless
	574092	Front Panel	AF and NY models; Gray
6	573016	Front Panel	Stainless
	SP564375	Front Cover	Black

Cabinet - AF, IY, JY and NY Models (Drawing 3 of 3)

Models with V in 7th Position or with G, H, J or K in 13th Position



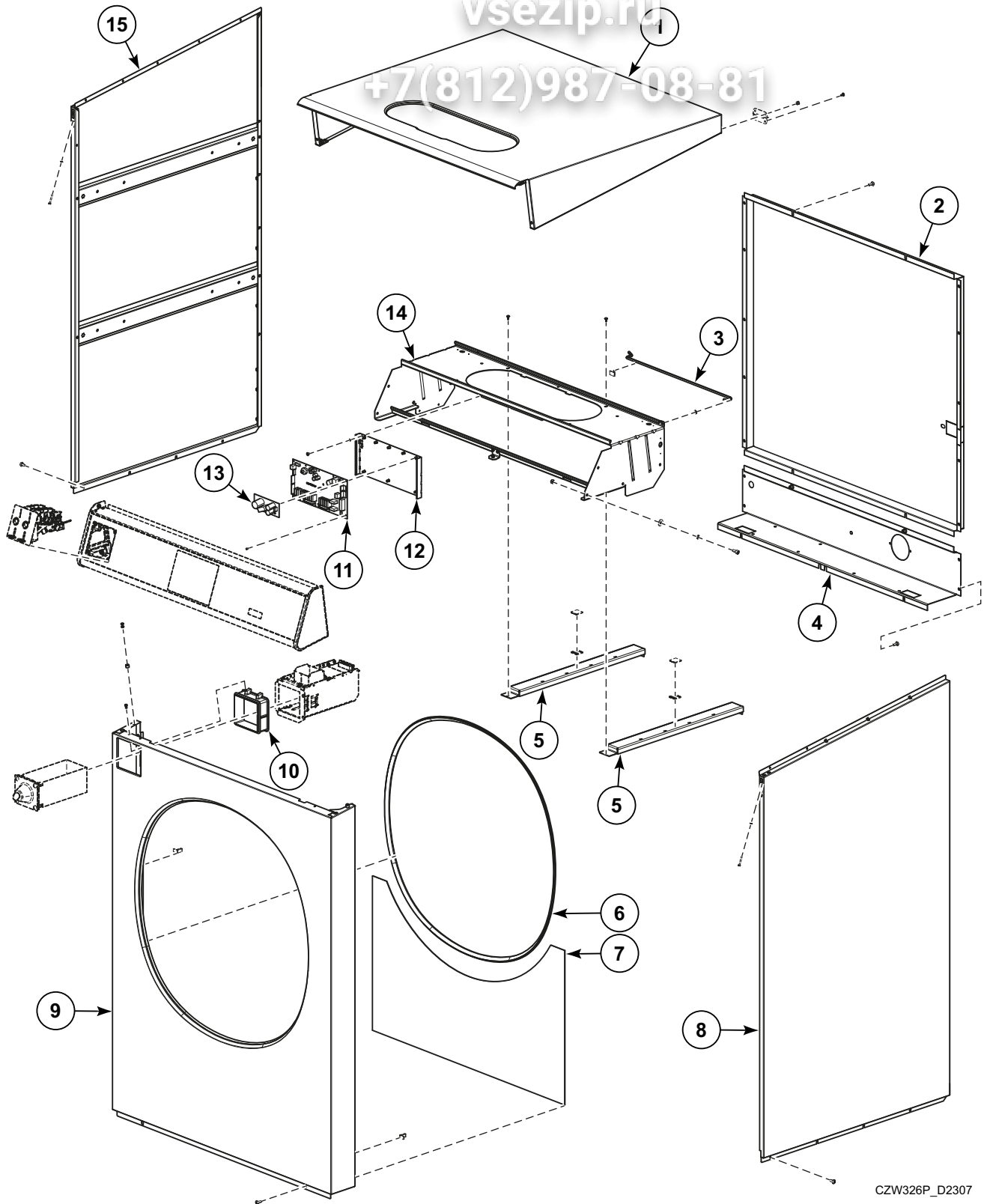
CZW310P_D2307

Cabinet - AF, IY, JY and NY Models (Drawing 3 of 3)

REF	PART NO.	DESCRIPTION	COMMENTS
1	571006	Top Cover Assembly	Includes SP547527 Lock, SP550616 Key, SPPRI610002007 Hook Lock, SP520408 Pin Insertion, SP547779 Rivet and SP550115 Fastener
	569651	Top Cover Assembly	With cutout for hopper opening. Includes SP547527 Lock, SP550616 Key, SPPRI610002007 Hook Lock, SP520408 Pin Insertion, SP547779 Rivet and SP550115 Fastener
2	572012	Side Panel	Stainless; Right; Includes SP313251000006 Nut
	573056	Side Panel	IY and JY models; Black; Right; Includes SP313251000006 Nut
	574068	Side Panel	AF and IY models; Gray; Right; Includes SP313251000006 Nut
3	572011	Side Panel	Stainless; Left; Includes SP313251000006 Nut
	573054	Side Panel	IY and JY models; Black; Left; Includes SP313251000006 Nut
	574067	Side Panel	AF and IY models; Gray; Left; Includes SP313251000006 Nut

Cabinet - FX and PY Models (Drawing 1 of 2)

Models with V in 7th Position



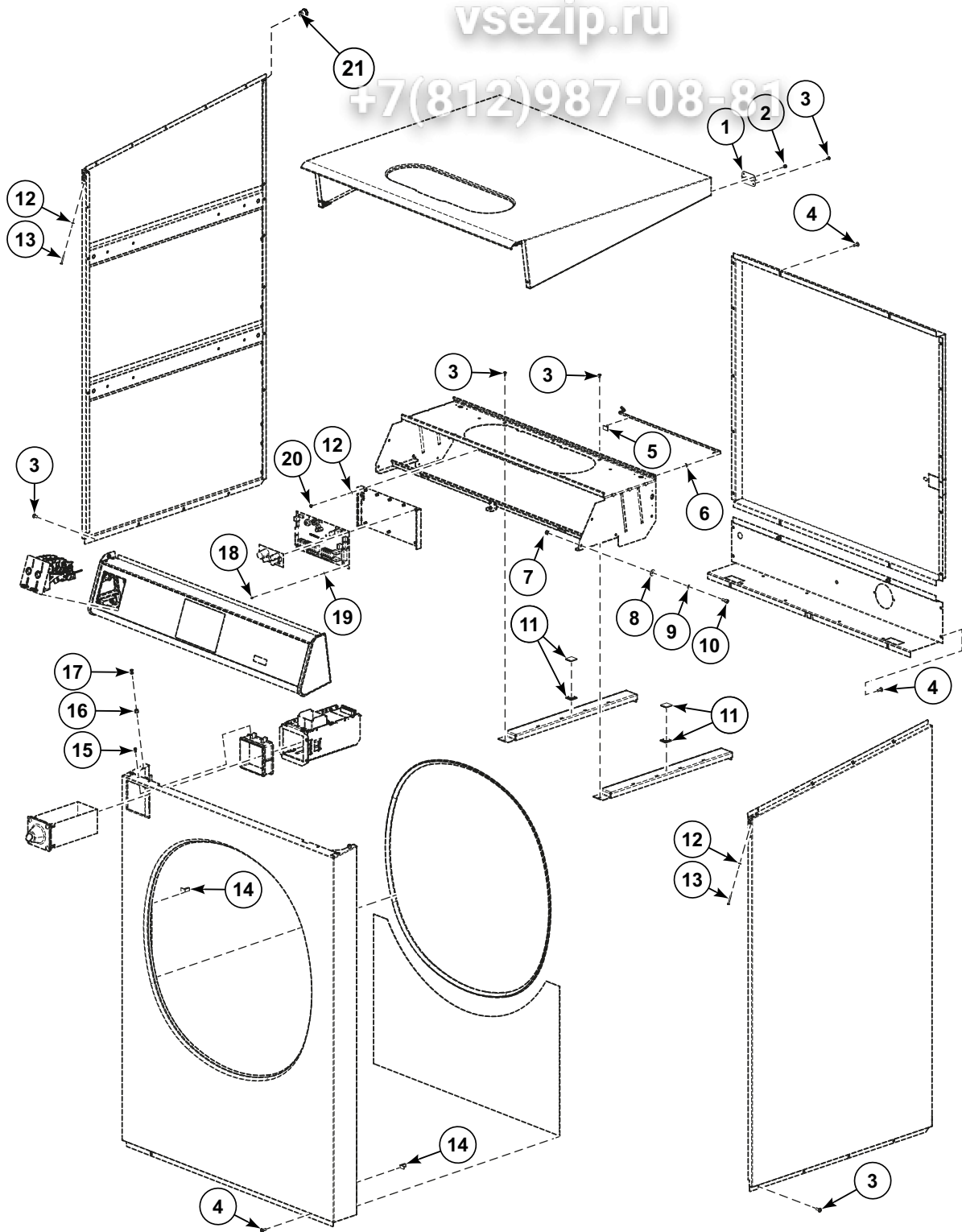
CZW326P_D2307

Cabinet - FX and PY Models (Drawing 1 of 2)

REF	PART NO.	DESCRIPTION	COMMENTS
1	574208	Top Cover	
	574255	Top Cover	Without soap hopper opening
2	570469	Rear Cover	
3	SP533341	Upper Lid Prop	
4	SP533384	Lower Rear Cover	
5	SP547703	Top Cover Reinforcement	
6	SP529068	Edge Protection	2.39m
7	550112	Antivibration Foil	
8	574163	Side Panel Assembly	Painted; Right
	574164	Side Panel Assembly	Stainless; Right
9	572543	Front Panel	OPL; Painted
	572544	Front Panel	Vended; Painted
	572541	Front Panel	OPL; Stainless
	572542	Front Panel	Vended; Stainless
10	566737	Coin Vault Plate	
11	575630	Control Board I/O	MC10; Power; Used with 569701 Interconnection Flat Cable
12	573934	Programmer Holder	Includes 527279 Nut
13	553189	Module	Door Lock
14	573939	Panel Holder	
15	574167	Side Panel Assembly	Painted; left
	574168	Side Panel Assembly	Stainless; Left

Cabinet - FX and PY Models (Drawing 2 of 2)

Models with V in 7th Position



CFS1970P_D2307

Cabinet - FX and PY Models (Drawing 2 of 2)

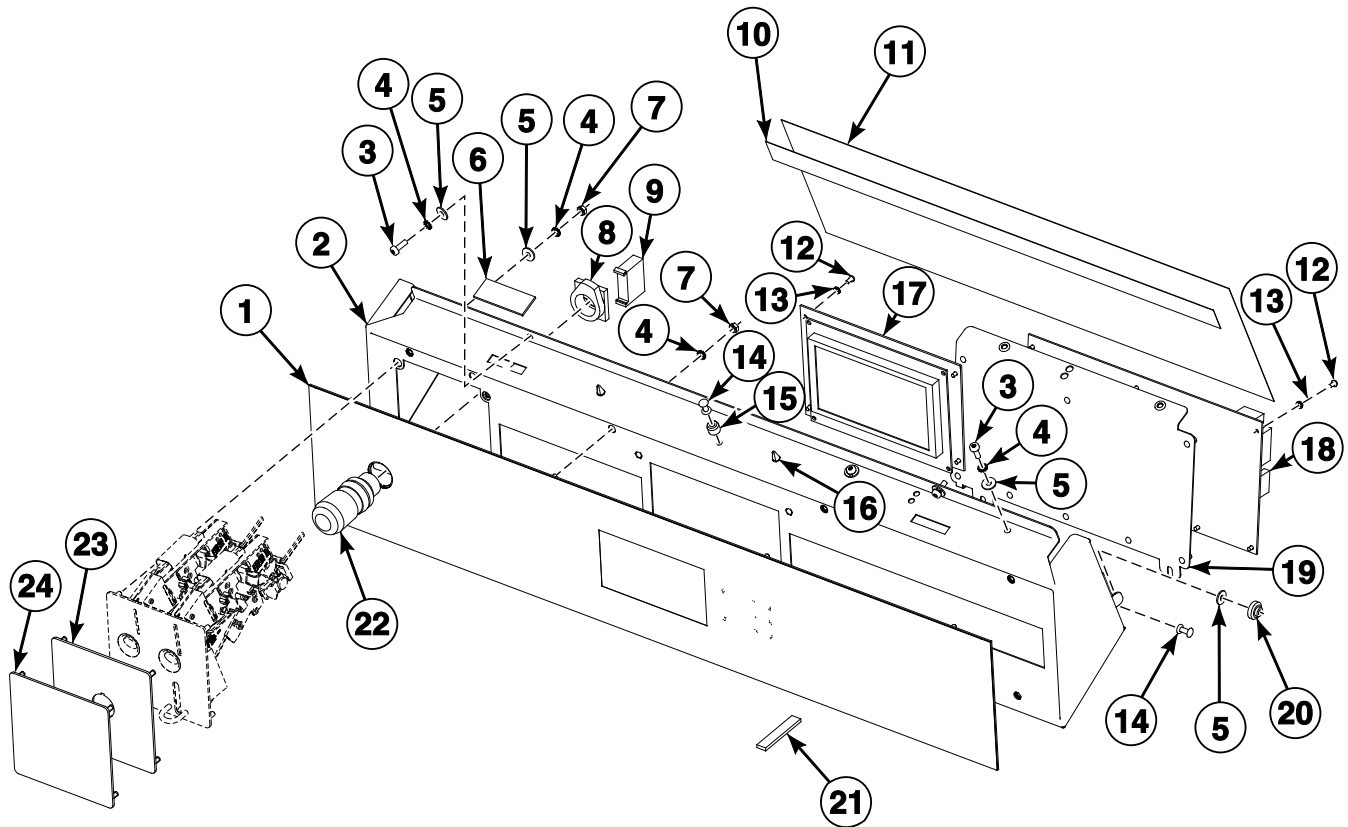
REF	PART NO.	DESCRIPTION	COMMENTS
1	SP516832	Hinge	
2	SP313250048103	Rivet	
3	SP529206	Screw	4x11
4	SP555658	Bolt	M6x16
5	SPPRI551016250	Hook	Stick-on
6	SP273121005052	Cable Passage	5.5x2
7	SP310985000006	Nut	M6
8	SP311902100006	Washer	6
9	576338	Washer	
10	SP506431	Bolt	M6x12
11	SP550115	Fastener	
12	SP311679800004	Washer	M4
13	SP550482	Bolt	M4x12
14	SP517232	Seal	
15	SP309084000408	Bolt	M4x8
16	SP520408	Pin Insertion	
17	SP547779	Rivet	4x16.7
18	SP309798500306	Bolt	M3x6
19	SP311679800003	Washer	M3
20	SP506013	Bolt	M4x8
21	SP313251000006	Nut	M6

Control Panel - AF Non-Brand, UY, NY, SY and UY Models

Except Models with V in 7th Position

vsezip.ru

+7(812)987-08-81



CFD2893P_D2307

Control Panel - AF Non-Brand, HY, NY, SY and UY Models

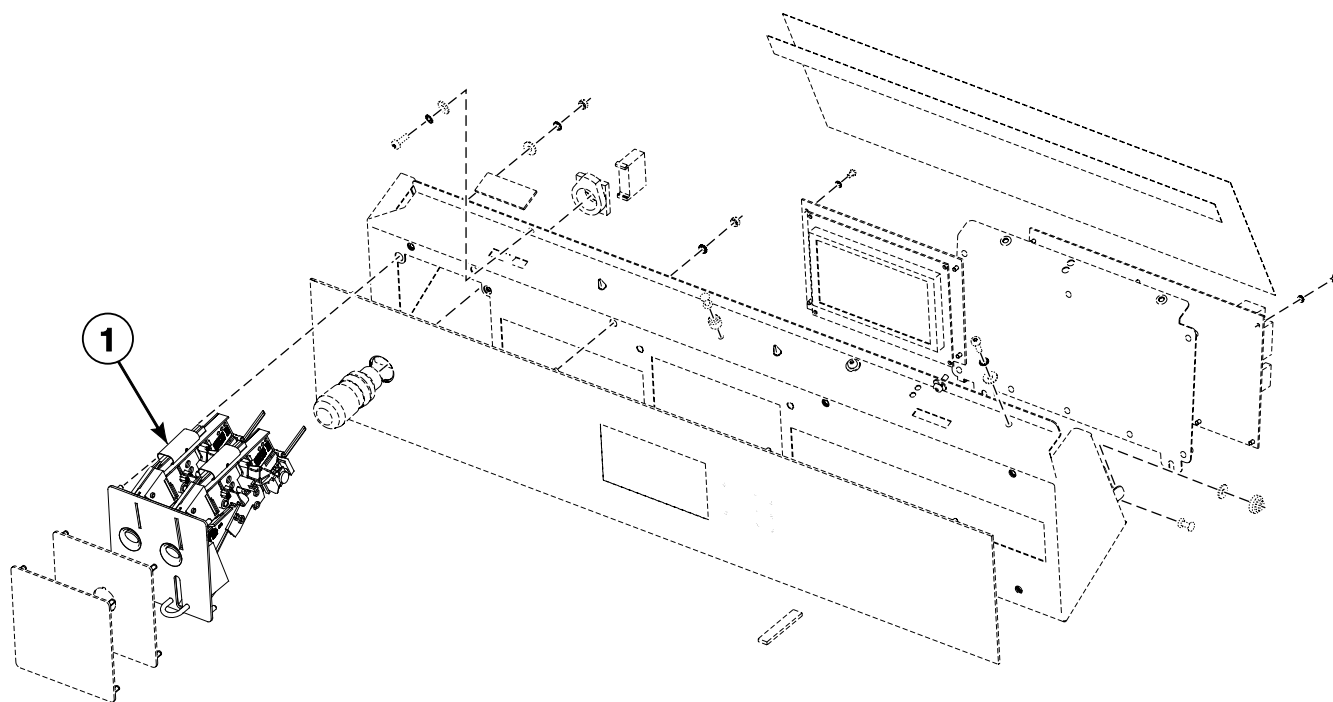
REF	PART NO.	DESCRIPTION	COMMENTS
	F8600501	Programming Cable	
1	SP557584	Keyboard	HY models; OPL
	SP547030	Keyboard	AF Non-Brand and NY models; OPL; Professional; Black
	SP547029	Keyboard	AF Non-Brand and NY models; OPL; Basic; Black
	SP547027	Keyboard	AF Non-Brand and NY models; Vended; Basic; Black
	SP547028	Keyboard	AF Non-Brand and NY models; CPS; Basic; Black
	SP557577	Keyboard	SY models; OPL
	SP557578	Keyboard	SY models; Vended
	SP557581	Keyboard	UY models; OPL
2	SP557585	Control Panel	
3	SP555504	Bolt	M4x12
4	SP311679800004	Washer	M4
5	SP311902100004	Washer	M4
6	SPMEC001410	Self-Adhesive Pad	
7	SP310934000004	Nut	M4
8	SP528311	Emergency Stop Connector	OPL
9	SP528312	Switching Unit	
10	SP510846	Tape	
11	SPPRI543000004	Cover	
12	SP309798500306	Bolt	M3x6
13	SP311679800003	Washer	M3
14	SP547779	Rivet	4x16.7
15	SP520408	Pin Insertion	
16	SP528313	Cable Holder	
17	SP553412	Control Board	MC7; HY, SY and UY models
	SP553411	Control Board	MC7; AF and NY models
18	SP553405	Control Board I/O	MC7; Power
	SP547005	Board Interconnection Cable	
19	SP557618	Programmer Holder	
20	SP550113	Leading Pin	
21	SP284000012003	Tape	
22	SP528310	Emergency Stop Knob	OPL
	SP520032	Emergency Stop Wiring	OPL
	SP520033	Emergency Stop Interconnection	AF Non-Brand, NY and SY models; Vended
23	SP558929	Coin Meter Cover Plate	SY models; Black
24	SP558930	CPS Cover Plate	SY models; Black

Control Panel - AF Non-Brand, NY and SY Vended Models (Drawing 1 of 3)

Except Models with V in 7th Position

vsezip.ru

+7(812)987-08-81



CFD2894P_D2307

Control Panel - AF Non-Brand, NY and SY Vended Models (Drawing 1 of 3)

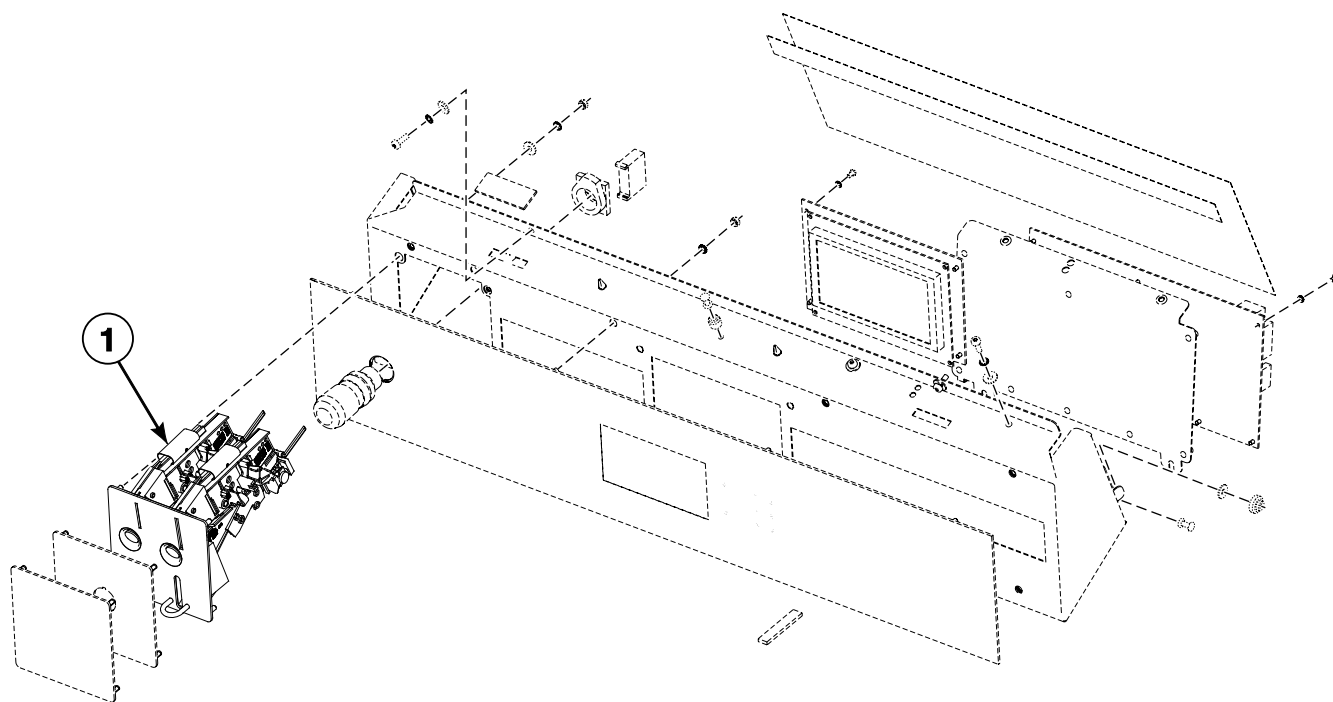
REF	PART NO.	DESCRIPTION	COMMENTS
1	SP547601	Coin Meter	5K Primus jeton
	SP547602	Coin Meter	7K Primus jeton
	SP547603	Coin Meter	10K Primus jeton
	SP547604	Coin Meter	12K Primus jeton
	SP547605	Coin Meter	15K Primus jeton
	SP547606	Coin Meter	D jeton
	SP547648	Coin Meter	0.05EUR
	SP547638	Coin Meter	0.2EUR
	SP547616	Coin Meter	0.5EUR
	SP547614	Coin Meter	1EUR
	SP547647	Coin Meter	2EUR
	SP547622	Coin Meter	0.2EUR + 0.5EUR
	SP547639	Coin Meter	0.2EUR + 1EUR
	SP547617	Coin Meter	0.5EUR + 1EUR
	SP547656	Coin Meter	0.5EUR + 2EUR
	SP547631	Coin Meter	1EUR + 2EUR
	SP547652	Coin Meter	7K + D jeton
	SP547666	Coin Meter	7K jeton and 2EUR
	SP547665	Coin Meter	D jeton and 2EUR
	SP547600	Coin Meter	1AUD + 20C
	SP547607	Coin Meter	1POND + 20PC
	SP547608	Coin Meter	1POND + 50PC
	SP547609	Coin Meter	100YEN
	SP547610	Coin Meter	500JPY + 100JPY
	SP547611	Coin Meter	5DKK
	SP547612	Coin Meter	20DKK
	SP547613	Coin Meter	5ILS + 1ILS
	SP547615	Coin Meter	1MYR
	SP547618	Coin Meter	1DKK + 5DKK
	SP547619	Coin Meter	10NOK + 20NOK
	SP547620	Coin Meter	2DKK + 5DKK
	SP547621	Coin Meter	5NOK
	SP547623	Coin Meter	1NZD + 2NZD
	SP547624	Coin Meter	10 NOK
	SP547625	Coin Meter	10NT + 50NT
	SP547626	Coin Meter	2DKK
	SP547627	Coin Meter	Lucky Winner jeton
	SP547628	Coin Meter	10TWD
	SP547629	Coin Meter	10CZK + 20CZK
	SP547630	Coin Meter	7K Equipos Par Lavar jeton
	569921	Coin Meter	0.2GBP, 0.5GBP, 1GBP, 2GBP / 0.1EUR, 0.2EUR, 0.5EUR, 1EUR, 2EUR; Electronic EMPv7
	SP547634	Coin Meter	500WON
	SP547635	Coin Meter	0.25USD
	SP547636	Coin Meter	1AUD + 2AUD
	SP547637	Coin Meter	5DK + 10DK
	SP547640	Coin Meter	Sun Wash jeton

Control Panel - AF Non-Brand, NY and SY Vended Models (Drawing 2 of 3)

Except Models with V in 7th Position

vsezip.ru

+7(812)987-08-81



CFD2894P_D2307

Control Panel - AF Non-Brand, NY and SY Vended Models (Drawing 2 of 3)

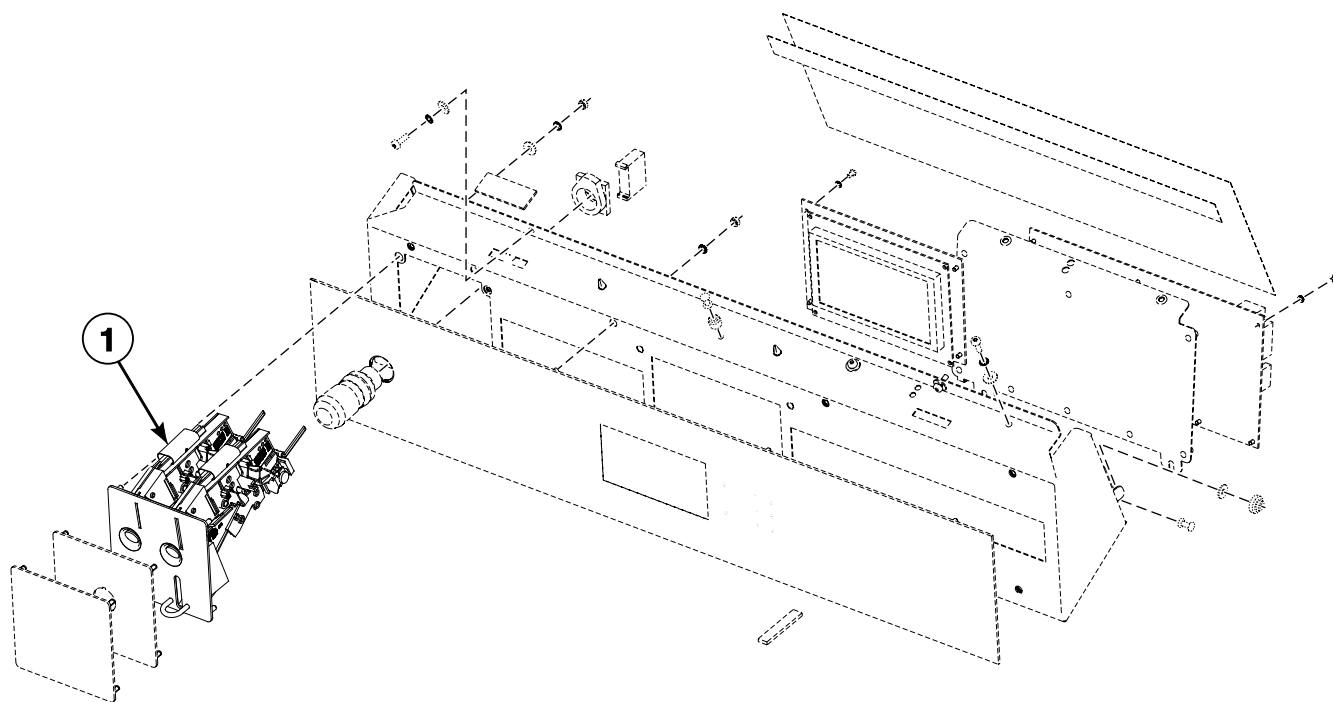
REF	PART NO.	DESCRIPTION	COMMENTS
1	SP547641	Coin Meter	2DK + 10DK
	SP547642	Coin Meter	1AUD
	SP547643	Coin Meter	1CHF
	SP547644	Coin Meter	5NOK + 10NOK
	SP547645	Coin Meter	1 TopMos jeton + 1"LEV" jeton
	SP547646	Coin Meter	1 Vendo jeton
	SP547649	Coin Meter	1 jeton
	569951	Coin Meter	0.5MAD, 1MAD, 2MAD, 5MAD, 10MAD; Electronic EMPv7
	SP547651	Coin Meter	20 penny
	SP547653	Coin Meter	1 Wascator jeton, jeton diamater 22.2 mm
	SP547654	Coin Meter	1 Unibel jeton, jeton diamater 18.55 mm
	SP547657	Coin Meter	50HUF + 100HUF
	SP547658	Coin Meter	1 jeton without coining, jeton diamater 20 mm
	SP547659	Coin Meter	1 Volund jeton, jeton diamater 22.5 mm
	SP547660	Coin Meter	1 Wascator jeton, jeton diamater 19 mm
	SP547661	Coin Meter	1 Miele jeton
	SP547662	Coin Meter	1 jeton without coining, jeton diamater 26 mm
	SP547663	Coin Meter	Three-groove jeton; jeton diamater 27 mm
	SP547664	Coin Meter	Three-groove jeton; jeton diamater 25 mm
	SP537996	Coin Meter	Top-Mosr jeton
	SP547667	Coin Meter	Milano Italy jeton
	SP547668	Coin Meter	5PLN + 1PLN
	SP547669	Coin Meter	Two-grooves jeton; jeton diamater 27 mm
	SP547670	Coin Meter	A.S.A.R.D. jeton, jeton diamater 25.8 mm
	SP547671	Coin Meter	20CZK
	SP547672	Coin Meter	Jeton ASARD, jeton diamater 22.3 mm
	SP547673	Coin Meter	Jeton Laundromatic Belgium, jeton diamater 22.3 mm
	SP547674	Coin Meter	1SGD
	SP547675	Coin Meter	Jeton Asard Wascator, jeton diamater 19.9 mm
	SP555502	Coin Meter	Easy Games jeton
	SP555543	Coin Meter	Brev.C jeton
	SP555546	Coin Meter	50 Malaysian cent
	SP555549	Coin Meter	Flat Polis jeton
	SP555550	Coin Meter	Butzi Wash jeton
	SP555578	Coin Meter	1SGD, (new Singapore dollar)
	SP555558	Coin Meter	Copper without grooves jeton
	569939	Coin Meter	0.1SGD, 0.2SGD, 0.5SGD, 1SGD; Electronic EMPv7
	SP555666	Coin Meter	2x50 Malaysian cent
	569933	Coin Meter	0.1EUR, 0.2EUR, 0.5EUR, 1EUR, 2EUR, Electronic EMPv7
	SP555559	Coin Meter	Speedy Matic jeton
	SP555579	Coin Meter	Was-Salon Lavoir jeton
	569948	Coin Meter	5CZK, 10CZK, 20CZK, 50CZK; Electronic EMPv7
	SP560744	Coin Meter	Electronic for Dobi Ekspress jeton
	569964	Coin Meter	0.2GBP, 0.5GBP, 1GBP, 2GBP / 0.1EUR, 0.2EUR, 0.5EUR, 1EUR, 2EUR / jeton KWL Auga / jeton Gettone; Electronic EMPv7
	SP560089	Coin Meter	STD 118-1 jeton
	SP560082	Coin Meter	5k IPSO jeton

Control Panel - AF Non-Brand, NY and SY Vended Models (Drawing 3 of 3)

Except Models with V in 7th Position

vsezip.ru

+7(812)987-08-81



CFD2894P_D2307

Control Panel - AF Non-Brand, NY and SY Vended Models (Drawing 3 of 3)

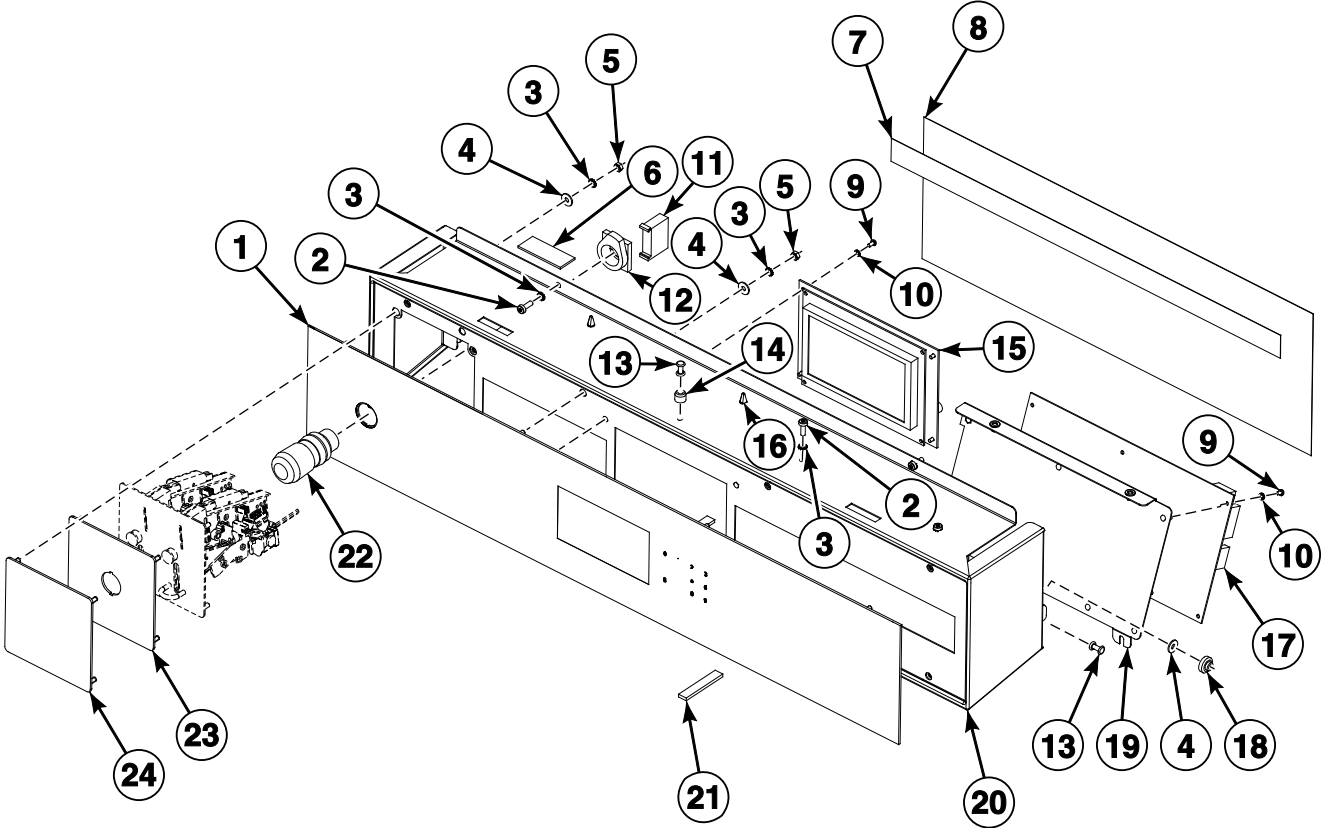
REF	PART NO.	DESCRIPTION	COMMENTS
1	SP560083	Coin Meter	7k IPSO jeton
	SP560084	Coin Meter	10k IPSO jeton
	SP560085	Coin Meter	12k IPSO jeton
	SP560086	Coin Meter	15k IPSO jeton
	561378	Coin Meter	10 Moroccan Dirham
	569918	Coin Meter	0.25USD, 1USD / 0.25CAD, 1CAD, 2CAD; Electronic EMPv7
	560073	Coin Meter	0.25USD / 1USD
	569930	Coin Meter	1CNY / 0.1MYR, 0.2MYR, 0.5MYR; Electronic EMPv7
	569927	Coin Meter	0.2AUD, 1AUD, 2AUD / 1NZD, 2NZD / 5HKD, 10HKD / 500KRW; Electronic EMPv7
	561496	Coin Meter	Jeton Grupo Azkoyen CDS Automaten
	569936	Coin Meter	1PHP, 5PHP, 10PHP; Electronic EMPv7
	569942	Coin Meter	0.1MYR, 0.2MYR, 0.5MYR / 0.5SGD, 1SGD; Electronic EMPv7
	569945	Coin Meter	1HRK, 2HRK, 5HRK; Electronic EMPv7
	569924	Coin Meter	1DKK, 2DKK, 5DKK, 10DKK, 20DKK / 1NOK, 5NOK, 10NOK, 20NOK / 0.5EUR, 1EUR, 2EUR; Electronic EMPv7
	564484	Coin Meter	Jeton 118-5
	564486	Coin Meter	Jeton Barisart LDL
	569961	Coin Meter	0.1EUR, 0.2EUR, 0.5EUR, 1EUR, 2EUR / 5K IPSO jeton; Electronic EMPv7
	564489	Coin Meter	Jeton Sporrang
	569970	Coin Meter	0.5MYR / jeton DobiPapa 22.5x2; Electronic EMPv7
	553150	Coin Meter	Jeton with hole
	579808	Coin Meter	1EAD, 1TK, 2TK; Electronic EMPv7
	553151	Coin Meter	Jeton Deton Wash
	569967	Coin Meter	0.1EUR, 0.2EUR, 0.5EUR, 1EUR, 2EUR / jeton G-Fis Lavoir Bianca 20x1.8; Electronic EMPv7
	569973	Coin Meter	1AUD, 2AUD / jeton No Cash Value 28.6x1.58; Electronic EMPv7
	569979	Coin Meter	0.5MYR / jeton BUBBLELAB; Electronic EMPv7
	569954	Coin Meter	1PLN, 2PLN, 5PLN, / 0.1EUR, 0.2EUR, 0.5EUR, 1EUR, 2EUR / ISK10, ISK50, ISK100; Electronic EMPv7
	569998	Coin Meter	100+500 ISK
	569987	Coin Meter	HAUCK 2018
	572301	Coin Meter	Token 118-16
	572304	Coin Meter	1ILS, 2ILS, 5ILS, 10ILS; Electronic EMPv7
	572307	Coin Meter	1ZAR, 2ZAR, 5ZAR; Electronic EMPv7
	572310	Coin Meter	5RUB, 10RUB; Electronic EMPv7
	572313	Coin Meter	50CLP, 100CLP, 500CLP; Electronic EMPv7
	572317	Coin Meter	100JPY, 500JPY, 10TWD, 50TWD; Electronic EMPv7
	572320	Coin Meter	0.5GEL, 1GEL, 2GEL; Electronic EMPv7
	572323	Coin Meter	0.2 EUR, 0.5EUR, 1EUR, 2EUR, Jeton 7K; Electronic EMPv7
	572326	Coin Meter	20HUF, 50HUF, 100HUF, 200HUF; Electronic EMPv7
	572342	Coin Meter	Token WH121
	569901	Coin Meter	Brass jeton
	569912	Coin Meter	Jeton Wassalon lavoir
	572339	Coin Meter	Getton Jeton (26mm diameter x 1.7mm)

Control Panel IY and J Models

Except Models with G, H, J or K in 13th Position

vsezip.ru

+7(812)987-08-81



CFD2895P_D2307

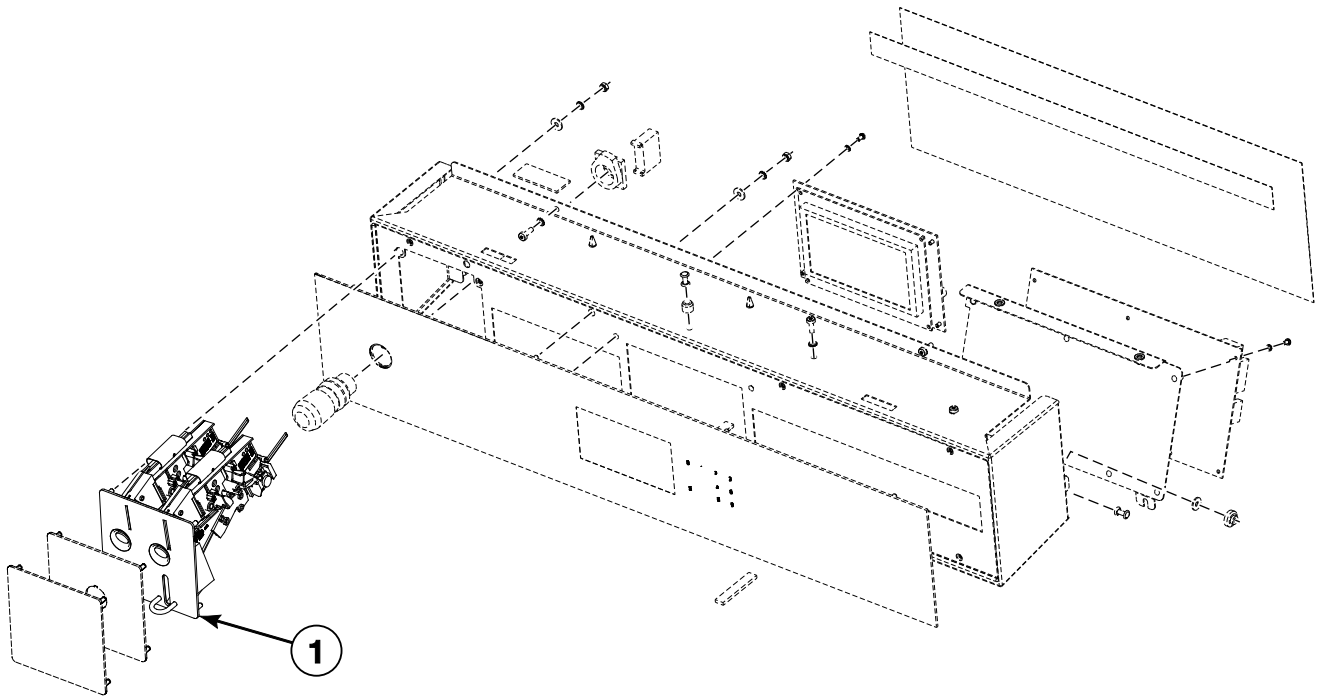
Control Panel IY and J Models

REF	PART NO.	DESCRIPTION	COMMENTS
	SP557744	USB Connection	J models
	567186	Label	IY models; CE; Wet cleaning
1	SP557571	Keyboard	IY models; Aries Elite; OPL
	SP557572	Keyboard	IY models; Aries; Vended
	SP560763	Keyboard	IY models; Without logo; With numeric keypad; OPL
	SP560764	Keyboard	IY models; Without logo; Without numeric keypad; Vended
	SP559376	Keyboard	J 50 models; OPL
	F8600501	Programming Cable	
2	SP555504	Bolt	M4x12
3	SP311679800004	Washer	M4
4	SP311902100004	Washer	M4
5	SP310934000004	Nut	M4
6	SPMEC001410	Self-Adhesive Pad	
7	SP510846	Tape	
8	SPPRI543000004	Cover	
9	SP309798500306	Bolt	M3x6
10	SP311679800003	Washer	M3
11	SP528312	Switching Unit	
12	SP528311	Emergency Stop Connector	
13	SP547779	Rivet	4x16.7
14	SP520408	Pin Insertion	
15	SP553419	Control Board	MC7
	SP553411	Control Board	MC7; J models
16	SP528313	Cable Holder	
17	SP553405	Control Board I/O	MC7; Power
	SP547005	Board Interconnection Cable	
18	SP550113	Leading Pin	
19	SP558896	Programmer Holder	
20	SP558907	Control Panel	
21	SP284000012003	Tape	
22	SP528310	Emergency Stop Knob	OPL
	SP520032	Emergency Stop Wiring	OPL
	SP520033	Emergency Stop Interconnection	Vended
23	SP558929	Coin Meter Cover Plate	OPL
24	SP558930	CPS Cover Plate	Vended

Control Panel - IY and J Vended, CE and Watermark Models (Drawing 1 of 3)

Except Models with G, H, J or K in 13th Position

+7(812)987-08-81



CZW51P_D2307

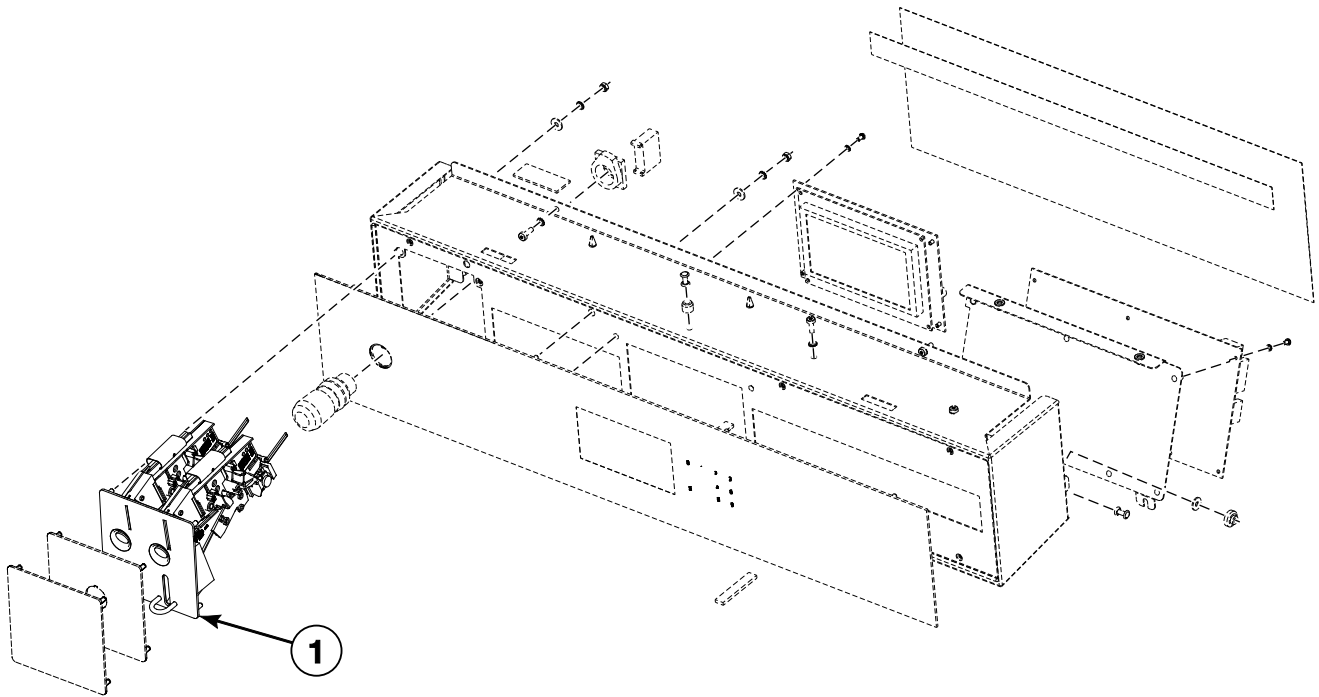
Control Panel - IY and J Vended CE and Watermark Models (Drawing 1 of 3)

REF	PART NO.	DESCRIPTION	COMMENTS
1	569922	Coin Meter	0.2GBP, 0.5GBP, 1GBP, 2GBP / 0.1EUR, 0.2EUR, 0.5EUR, 1EUR, 2EUR; Electronic EMPv7
	SP558958	Coin Meter	0.25USD
	SP558959	Coin Meter	0.5EUR + 1EUR
	SP560310	Coin Meter	1EUR
	SP560311	Coin Meter	0.5EUR
	SP560312	Coin Meter	1EUR + 2EUR
	SP559933	Coin Meter	5K Primus jeton
	SP559934	Coin Meter	10K Primus jeton
	569965	Coin Meter	0.2GBP, 0.5GBP, 1GBP, 2GBP / 0.1EUR, 0.2EUR, 0.5EUR, 1EUR, 2EUR / jeton KWL Aqua / jeton Gettone; Electronic EMPv7
	SP559938	Coin Meter	STD 118-1 jeton
	SP560309	Coin Meter	7K Primus jeton
	SP560405	Coin Meter	12K Primus jeton
	SP560406	Coin Meter	15K Primus jeton
	SP560407	Coin Meter	2EUR
	SP560408	Coin Meter	0.2EUR + 0.5EUR
	SP560409	Coin Meter	0.2EUR
	SP560410	Coin Meter	1EUR + 0.2EUR
	SP560411	Coin Meter	2EUR + 0.5EUR
	SP560412	Coin Meter	1AUD + 0.2AUD
	SP560413	Coin Meter	1 pound + 20PC
	SP560414	Coin Meter	1 pound + 50PC
	SP560415	Coin Meter	100JPY
	SP560416	Coin Meter	500JPY + 100JPY
	SP560417	Coin Meter	1AUD + 2AUD
	SP560418	Coin Meter	1AUD
	SP560419	Coin Meter	20PC
	SP560420	Coin Meter	50 Malaysian cent
	SP560421	Coin Meter	1SGD (new Singaporean dollar)
	SP560422	Coin Meter	2MYR + 0.5MYR
	SP560423	Coin Meter	1SGD
	SP560424	Coin Meter	1NZD + 2NZD
	SP560425	Coin Meter	Easy games jeton
	SP560426	Coin Meter	Flat polis jeton
	SP560427	Coin Meter	Butzi wash jeton
	SP560428	Coin Meter	Speedy matic jeton
	SP560429	Coin Meter	Laundromatic Belgium jeton, (jeton diameter 22.3 mm)
	569940	Coin Meter	0.1SGD, 0.2SGD, 0.5SGD, 1SGD; Electronic EMPv7
	569934	Coin Meter	0.1EUR, 0.2EUR, 0.5EUR, 1EUR, 2EUR; Electronic EMPv7
	SP560432	Coin Meter	500WON
	SP560745	Coin Meter	Dobi ekspres jeton
	SP560751	Coin Meter	Lucky Winner jeton
	SP559969	Coin Meter	Gettone jeton
	SP559949	Coin Meter	10 Taiwan dollar
	SP560090	Coin Meter	5K Ipso jeton
	SP560091	Coin Meter	7K Ipso jeton

Control Panel - IY and J Vended, CE and Watermark Models (Drawing 2 of 3)

Except Models with G, H, J or K in 13th Position

+7(812)987-08-81



CZW51P_D2307

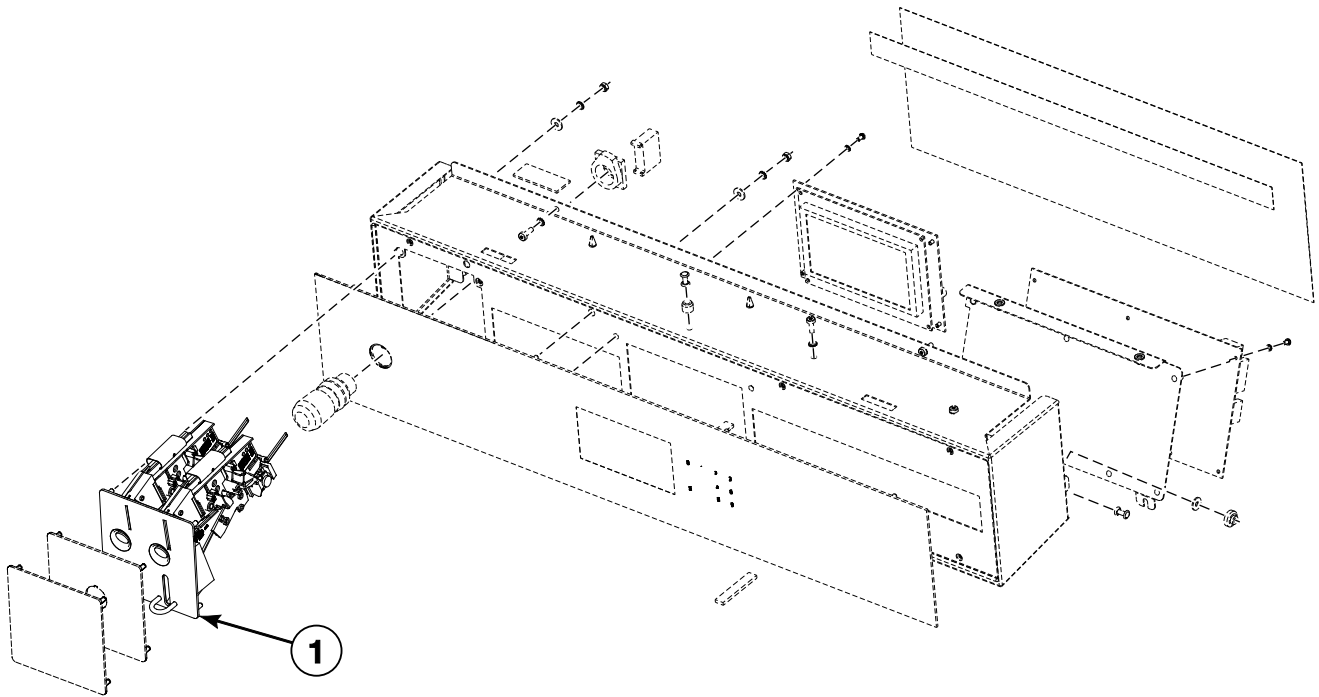
Control Panel - IY and J Vended, CE and Watermark Models (Drawing 2 of 3)

REF	PART NO.	DESCRIPTION	COMMENTS
1	SP560092	Coin Meter	10K Ipson jeton
	SP560093	Coin Meter	12K Ipson jeton
	SP560094	Coin Meter	15K Ipson jeton
	SP560100	Coin Meter	Electrolux Asard jeton
	SP560087	Coin Meter	Gettone jeton
	569925	Coin Meter	1DKK, 2DKK, 5DKK, 10DKK, 20DKK / 1NOK, 5NOK, 10NOK, 20NOK / 0.2EUR, 0.5EUR, 1EUR, 2EUR; Electronic EMPv7
	569928	Coin Meter	0.2AUD, 1AUD, 2AUD / 1NZD, 2NZD / 5HKD, 10HKD / 500KRW; Electronic EMPv7
	569931	Coin Meter	1CNY / 0.1MYR, 0.2MYR, 0.5MYR; Electronic EMPv7
	569937	Coin Meter	1PHP, 5PHP, 10PHP; Electronic EMPv7
	569943	Coin Meter	0.1MYR, 0.2MYR, 0.5MYR / 0.5SGD, 1SGD; Electronic EMPv7
	569946	Coin Meter	1HRK, 2HRK, 5HRK; Electronic EMPv7
	569949	Coin Meter	5CZK, 10CZK, 20CZK, 50CZK; Electronic EMPv7
	569952	Coin Meter	0.5MAD, 1MAD, 2MAD, 5MAD, 10MAD; Electronic EMPv7
	569962	Coin Meter	0.1EUR, 0.2EUR, 0.5EUR, 1EUR, 2EUR / 5K IPSO jeton; Electronic EMPv7
	569971	Coin Meter	0.5MYR / jeton DobiPapa 22.5x2; Electronic EMPv7
	569919	Coin Meter	0.25USD, 1USD / 0.25CAD, 1CAD, 2CAD; Electronic EMPv7
	569968	Coin Meter	0.1EUR, 0.2EUR, 0.5EUR, 1EUR, 2EUR / jeton G-Fis Lavoir Bianca 20x1.8; Electronic EMPv7
	569974	Coin Meter	1AUD, 2AUD / jeton No Cash Value 28.6x1.58; Electronic EMPv7
	569980	Coin Meter	0.5MYR / jeton BUBBLELAB; Electronic EMPv7
	569955	Coin Meter	1PLN, 2PLN, 5 PLN / 0.1EUR, 0.2EUR, 0.5EUR, 1EUR, 2EUR / ISK10, ISK50, ISK100; Electronic EMPv7
	SP560075	Coin Meter	5+1 Shekel
	SP560071	Coin Meter	1HKD
	SP561497	Coin Meter	Jeton Prinz Firbitex
	563405	Coin Meter	Token Ldl Chamberland Washing Machine
	SP564485	Coin Meter	Token 118-5
	564487	Coin Meter	Token Barisart (Ldl)
	SP553156	Coin Meter	Token Rotondi
	569905	Coin Meter	Brass Jeton
	569911	Coin Meter	0.5CHF, 2CHF
	569995	Coin Meter	Jeton D
	569993	Coin Meter	Jeton 08 MS

Control Panel - IY and J Vended, CE and Watermark Models (Drawing 3 of 3)

Except Models with G, H, J or K in 13th Position

+7(812)987-08-81



CZW51P_D2307

Control Panel - IY and J Vended CE and Watermark Models (Drawing 3 of 3)

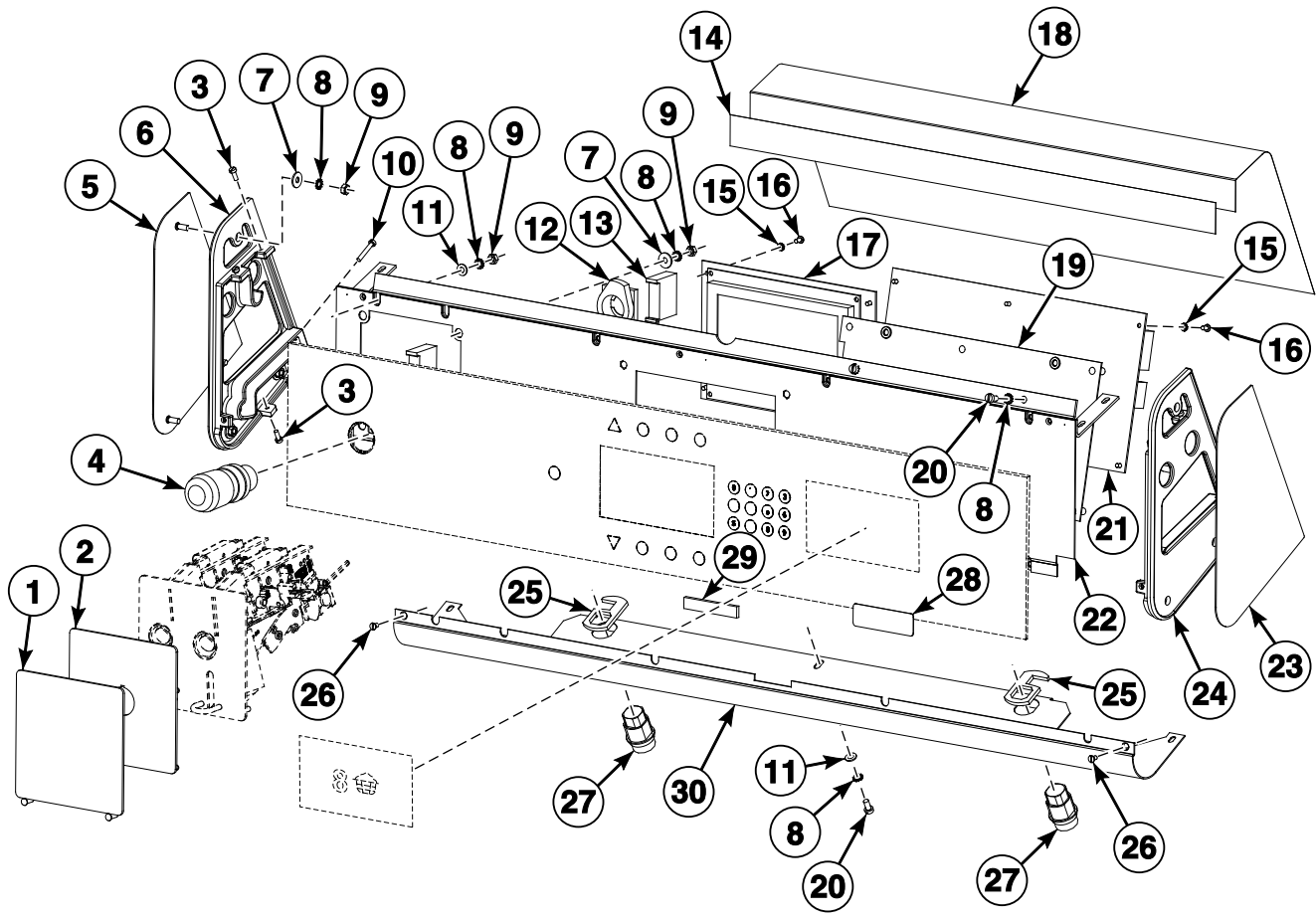
REF	PART NO.	DESCRIPTION	COMMENTS
1	569999	Coin Meter	10+50 TWD
	570000	Coin Meter	100+500 USK
	572302	Coin Meter	Token 118-16
	572305	Coin Meter	1ILS, 2ILS, 5ILS, 10ILS; Electronic EMPv7
	572308	Coin Meter	1ZAR, 2ZAR, 5ZAR; Electronic EMPv7
	572311	Coin Meter	5RUB, 10RUB; Electronic EMPv7
	572314	Coin Meter	50CLP, 100CLP, 500CLP; Electronic EMPv7
	572318	Coin Meter	100JPY, 500JPY, 10TWD, 50TWD; Electronic EMPv7
	572321	Coin Meter	0.5GEL, 1GEL, 2GEL; Electronic EMPv7
	572324	Coin Meter	0.2 EUR, 0.5EUR, 1EUR, 2EUR, Jeton 7K; Electronic EMPv7
	572327	Coin Meter	20HUF, 50HUF, 100HUF, 200HUF; Electronic EMPv7
	572384	Coin Meter	0.2CHF, 0,5CHF, 1CHF, 2CHF; Electronic EMPv7
	572343	Coin Meter	Token WH121
	569988	Coin Meter	Jeton HAUCK 2018
	572389	Coin Meter	0.25CAD
	575276	Coin Meter	0.25USD + 1USD
	575277	Coin Meter	0.25CAD + 1CAD
	572359	Coin Meter	1THB, 2THB, 5THB, 10THB / TK1+2; Electronic EMPv7
	579809	Coin Meter	1EAD, 1TK, 2TK; Electronic EMPv7
	572355	Coin Meter	Coin Meter; Token Nr. 1699360

Control Panel - AF, FX, HX, LP, LY, MWF, PY and SW Models (Drawing 1 of 2)

Except Models with V in 7th Position

vsezip.ru

+7(812)987-08-81



CFD3445P_D2307

Control Panel - AF, FX, HX, LP, LY, MWF, PY and SW Models (Drawing 1 of 2)

REF	PART NO.	DESCRIPTION	COMMENTS
	F8600501	Programming Cable	
1	SP550149	Cover Plate	PYN models, CSA
2	SP547565	Coin Meter Cover	
3	577761	Bolt	3x8
4	SP528310	Emergency Stop Knob	OPL
	SP520032	Emergency Stop Wiring	OPL
	SP520033	Emergency Stop Interconnection	Vended
5	SP547507	Side Sheet Metal	Left
6	570391	Side Board	Left
7	SP311902100004	Washer	M4
8	SP311679800004	Washer	M4
9	SP310934000004	Nut	M4
10	577763	Bolt	3x20
11	SP311125000004	Washer	M4
12	SP528311	Emergency Stop Connector	
13	SP528312	Switching Unit	
14	SP510846	Tape	
15	SP311679800003	Washer	M3
16	SP309798500306	Bolt	M3x6
17	SP547001	Control Board	MC6 (green color); Models through Serial No. 240FX001450DB; Refer to NOTE*
	SP553411	Control Board	MC7 (blue color); Models starting Serial No. 240FX001451DB; Refer to NOTE*
18	SPPRI543000004	Cover	
19	SP550005	Programmer Holder	
20	SP555504	Bolt	M4x12
21	SP547002	Control Board Power	MC6
	SP553405	Control Board I/O	MC7; Power
	SP547005	Board Interconnection Cable	
	SP537995	Board Interconnection Cable	SW models
22	SP547571	Programmer Holder	
23	SP547506	Side Sheet Metal	Right
24	570392	Side Board	Right
25	SPPRI610002007	Hook Lock	Small; MC7; OPL
26	577762	Bolt	3x8
27	SP547527	Lock	
	SP550616	Key	Used with SP547527 Lock
28	SP537955	Logo Label	HX 240 models; "240"
29	SP284000012003	Tape	
30	SP547574	Lath	

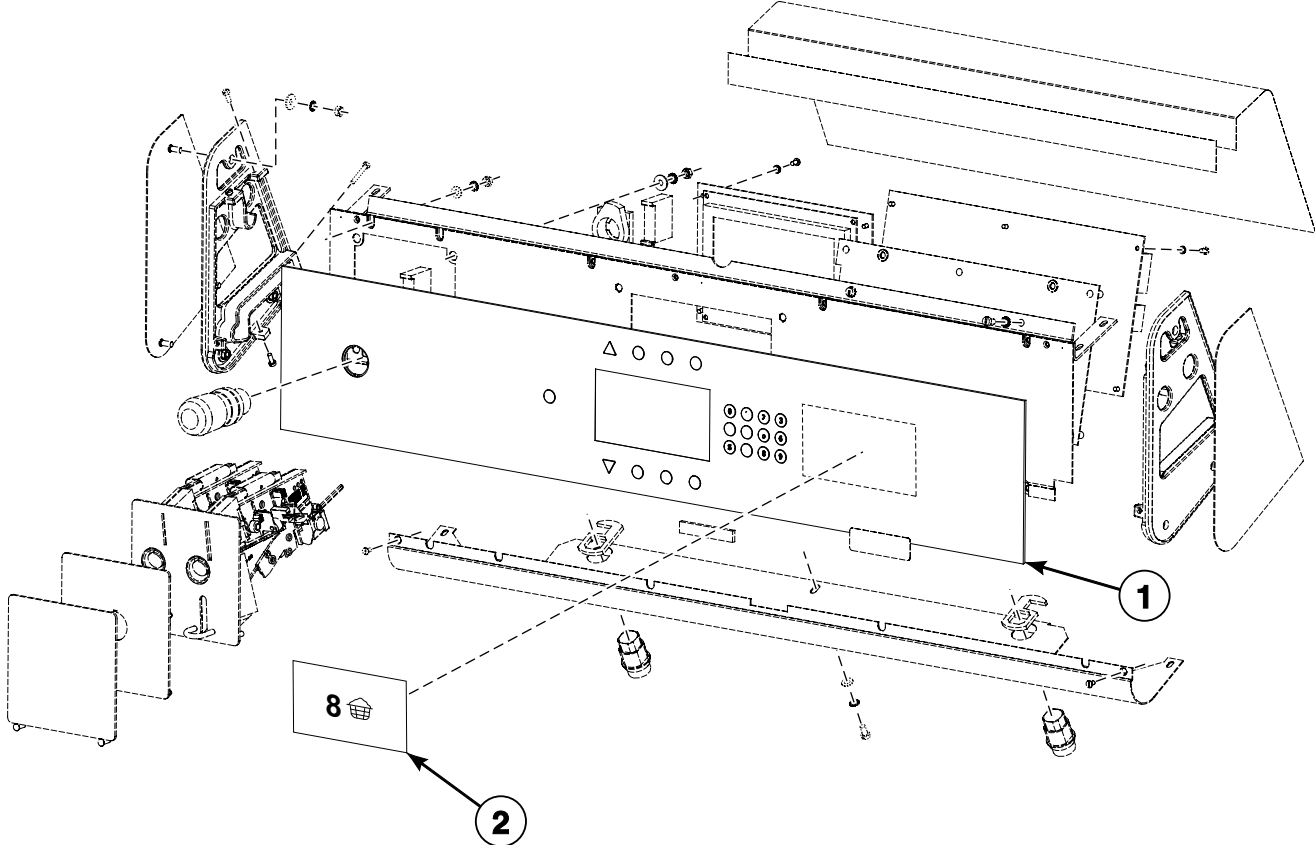
* NOTE: For machines within the Serial No. range 240FX001452DB - 240FX001614DF, contact the After Sales department.

Control Panel - AF, FX, HX, LP, LY, MWF, PY and SW Models (Drawing 2 of 2)

Except Models with V in 7th Position

vsezip.ru

+7(812)987-08-81



CFD3446P_D2307

Control Panel - AF, FX, HX, LP, LY, MWF, PY and SW Models (Drawing 2 of 2)

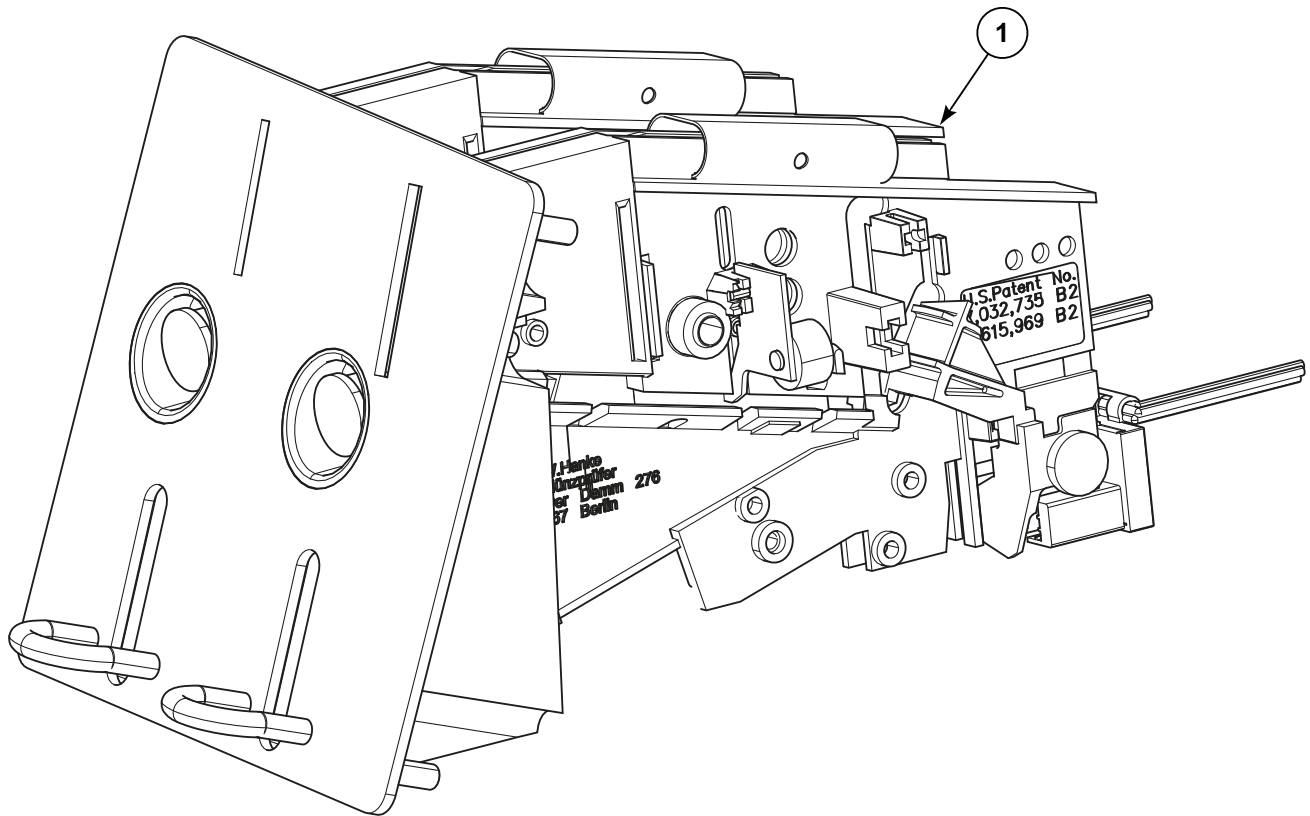
REF	PART NO.	DESCRIPTION	COMMENTS
	SP562738	Label	OPL; Wet cleaning; CE
1	SP560757	Keyboard	PYN models through 2/21/2021; X Control; Vended; CSA
	SP547042	Keyboard	PYN models starting 2/22/2021
	SP547018	Keyboard	FX, MWF and PY models; X Control Plus; OPL; Gray-black; CE
	SP547017	Keyboard	FX, MWF and PY models; OPL; X Control; Gray-black; CE
	SP547015	Keyboard	FX, MWF and PY models; Vended; X Control; Gray-black; CE
	SP547016	Keyboard	FX, MWF and PY models; CPS; X Control; Gray-black; CE
	SP547030	Keyboard	AF, LP and LY models; OPL; X Control Plus; Black; CE
	SP547029	Keyboard	AF, LP and LY models; OPL; X Control; Black; CE
	SP547027	Keyboard	AF, LP and LY models; Vended; X Control; Black; CE
	SP547028	Keyboard	AF, LP and LY models; CPS; X Control; Black; CE
	SP547042	Keyboard	FX, MWF and PY models; OPL; X Control Plus; Gray; CE
	SP547041	Keyboard	FX, MWF and PY models; OPL; X Control; Gray; CE
	SP547039	Keyboard	FX, MWF and PY models; Vended; X Control; Gray; CE
	SP547040	Keyboard	FX, MWF and PY models; CPS; X Control; Gray; CE
	SP552912	Keyboard	HX models; X Control; CE
	SP556256	Keyboard	SW models; CE
2	SP563293	Label	PYN models; Basket Capacity; 5.5; Vended; CSA
	SP547050	Label	PYN models

Coin Meter - AF, FX, LP, LY, MW5 and PY (Drawing 1 of 3)

Всёzip

vsezip.ru

+7(812)987-08-81



CZT185P_D2307

Coin Meter - AF, FX, LP, LY, MWF and PY (Drawing 1 of 3)

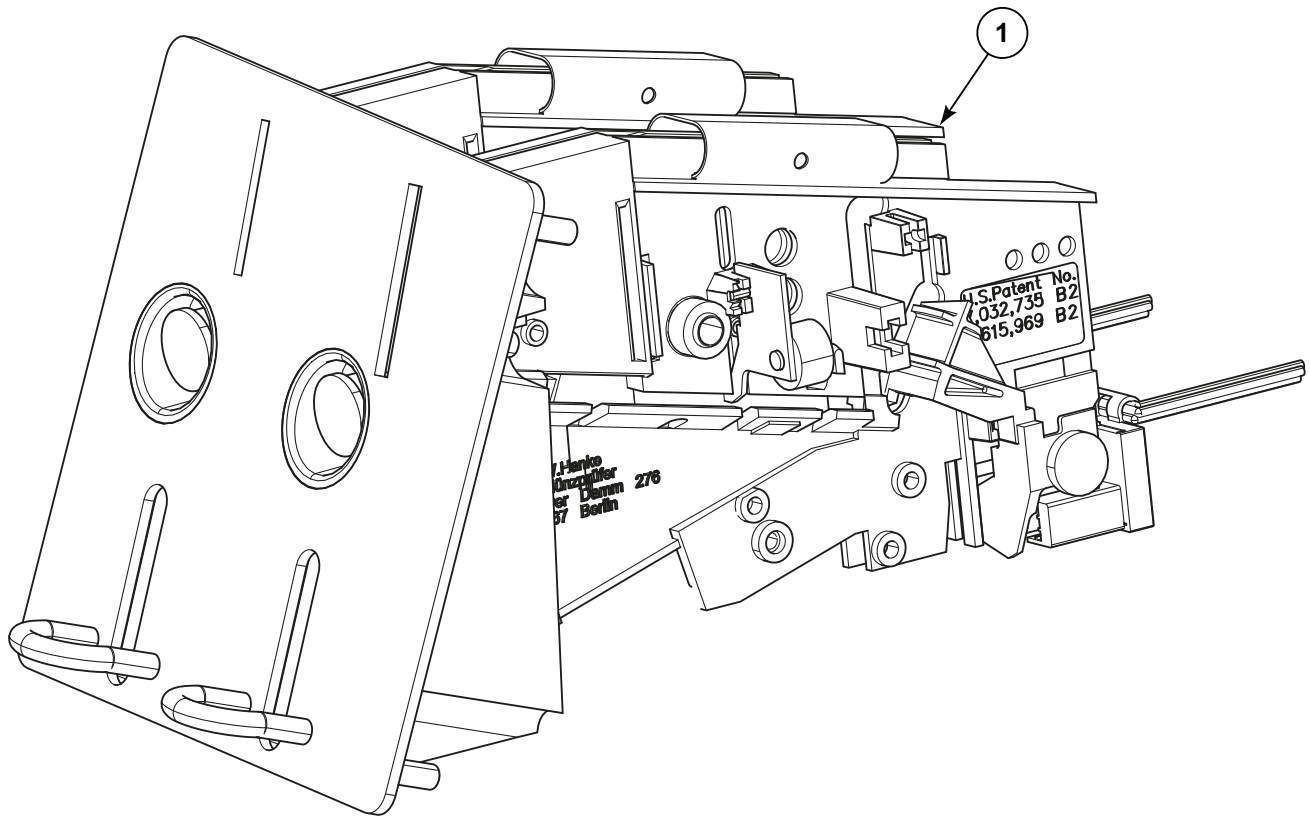
REF	PART NO.	DESCRIPTION	COMMENTS
1	SP547601	Coin Meter	5K Primus jeton
	SP547602	Coin Meter	7K Primus jeton
	SP547603	Coin Meter	10K Primus jeton
	SP547604	Coin Meter	12K Primus jeton
	SP547605	Coin Meter	15K Primus jeton
	SP547606	Coin Meter	D jeton
	SP547648	Coin Meter	0.05EUR
	SP547638	Coin Meter	0.2EUR
	SP547616	Coin Meter	0.5EUR
	SP547614	Coin Meter	1EUR
	SP547647	Coin Meter	2EUR
	SP547622	Coin Meter	0.2EUR + 0.5EUR
	SP547639	Coin Meter	0.2EUR + 1EUR
	SP547617	Coin Meter	0.5EUR + 1EUR
	SP547656	Coin Meter	0.5EUR + 2EUR
	SP547631	Coin Meter	1EUR + 2EUR
	SP547652	Coin Meter	7K + D jeton
	SP547666	Coin Meter	7K jeton and 2EUR
	SP547665	Coin Meter	D jeton and 2EUR
	SP547600	Coin Meter	1AUD + 20C
	SP547607	Coin Meter	1POND + 20PC
	SP547608	Coin Meter	1POND + 50PC
	SP547609	Coin Meter	100YEN
	SP547610	Coin Meter	500JPY + 100JPY
	SP547611	Coin Meter	5DKK
	SP547612	Coin Meter	20DKK
	SP547613	Coin Meter	5ILS + 1ILS
	SP547615	Coin Meter	1MYR
	SP547618	Coin Meter	1DKK + 5DKK
	SP547619	Coin Meter	10NOK + 20NOK
	SP547620	Coin Meter	2DKK + 5DKK
	SP547621	Coin Meter	5NOK
	SP547623	Coin Meter	1NZD + 2NZD
	SP547624	Coin Meter	10 NOK
	SP547625	Coin Meter	10NT + 50NT
	SP547626	Coin Meter	2DKK
	SP547627	Coin Meter	Lucky Winner jeton
	SP547628	Coin Meter	10TWD
	SP547629	Coin Meter	10CZK + 20CZK
	SP547630	Coin Meter	7K Equipos Par Lavar jeton
	569921	Coin Meter	0.2GBP, 0.5GBP, 1GBP, 2GBP / 0.1EUR, 0.2EUR, 0.5EUR, 1EUR, 2EUR; Electronic EMPv7
	SP547634	Coin Meter	500WON
	SP547635	Coin Meter	0.25USD
	SP547636	Coin Meter	1AUD + 2AUD
	SP547637	Coin Meter	5DK + 10DK
	SP547640	Coin Meter	Sun Wash jeton

Coin Meter - AF, FX, LP, LY, MW5 and PY (Drawing 2 of 3)

Всёzip

vsezip.ru

+7(812)987-08-81



CZT185P_D2307

Coin Meter - AF, FX, LP, LY, MWF and PY (Drawing 2 of 3)

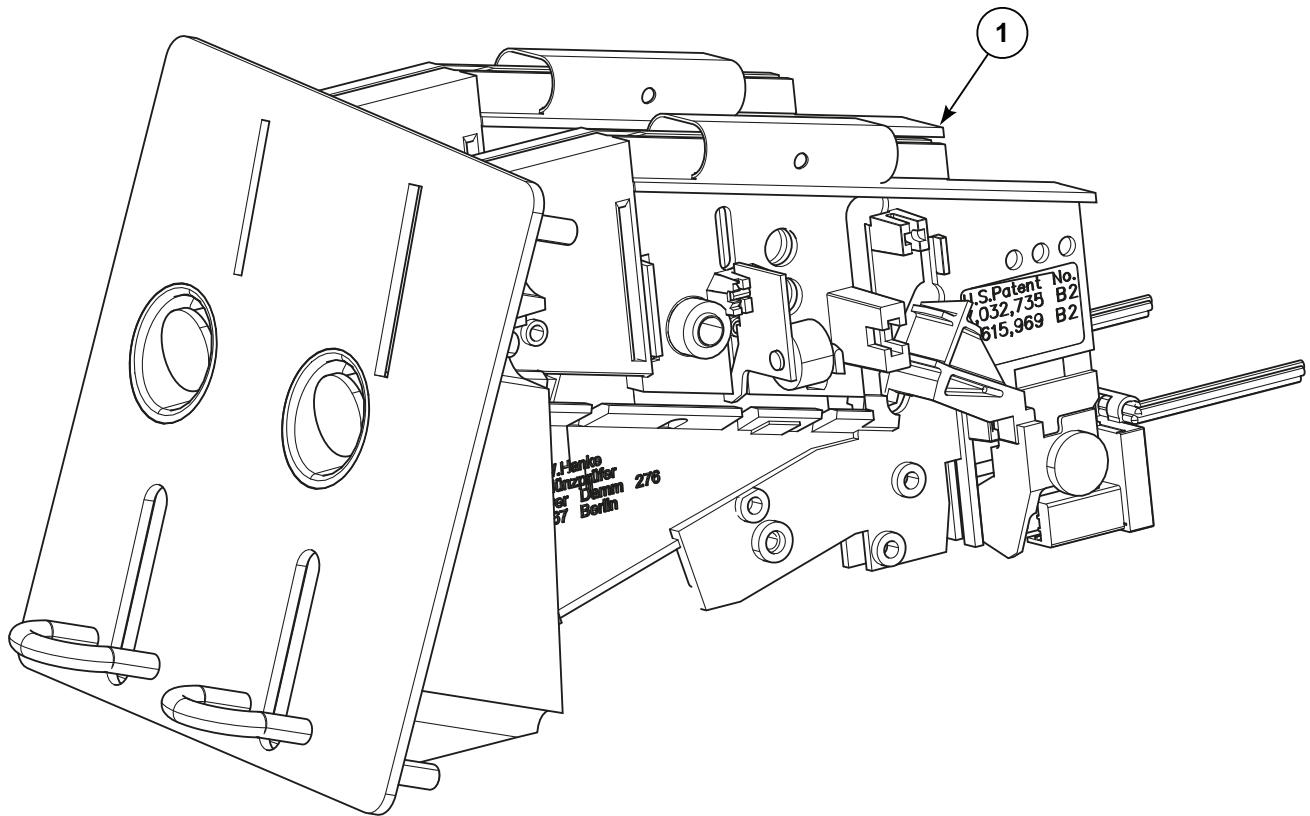
REF	PART NO.	DESCRIPTION	COMMENTS
1	SP547641	Coin Meter	20K + 100K
	SP547642	Coin Meter	1AUD
	SP547643	Coin Meter	1CHF
	SP547644	Coin Meter	5NOK + 10NOK
	SP547645	Coin Meter	1 TopMos jeton + 1"LEV" jeton
	SP547646	Coin Meter	1 Vendo jeton
	SP547649	Coin Meter	1 jeton
	569951	Coin Meter	0.5MAD, 1MAD, 2MAD, 5MAD, 10MAD; Electronic EMPv7
	SP547651	Coin Meter	20 penny
	SP547653	Coin Meter	1 Wascator jeton, jeton diameter 22.2 mm
	SP547654	Coin Meter	1 Unibel jeton, jeton diameter 18.55 mm
	SP547657	Coin Meter	50HUF + 100HUF
	SP547658	Coin Meter	1 jeton without coining, jeton diameter 20 mm
	SP547659	Coin Meter	1 Volund jeton, jeton diameter 22.5 mm
	SP547660	Coin Meter	1 Wascator jeton, jeton diameter 19 mm
	SP547661	Coin Meter	1 Miele jeton
	SP547662	Coin Meter	1 jeton without coining, jeton diameter 26 mm
	SP547663	Coin Meter	Three-groove jeton, jeton diameter 27 mm
	SP547664	Coin Meter	Three-groove jeton, jeton diameter 25 mm
	SP537996	Coin Meter	Top-Mosr jeton
	SP547667	Coin Meter	Milano Italy jeton
	SP547668	Coin Meter	5PLN + 1PLN
	SP547669	Coin Meter	Two-grooves jeton, jeton diameter 27 mm
	SP547670	Coin Meter	A.S.A.R.D. jeton, jeton diameter 25.8 mm
	SP547671	Coin Meter	20CZK
	SP547672	Coin Meter	Jeton ASARD, jeton diameter 22.3 mm
	SP547673	Coin Meter	Jeton Laundromatic Belgium, jeton diameter 22.3 mm
	SP547674	Coin Meter	1SGD
	SP547675	Coin Meter	Jeton Asard Wascator, jeton diameter 19.9 mm
	SP555502	Coin Meter	Easy Games jeton
	SP555543	Coin Meter	Brev.C jeton
	SP555546	Coin Meter	50 Malaysian cent
	SP555549	Coin Meter	Flat Polis jeton
	SP555550	Coin Meter	Butzi Wash jeton
	SP555578	Coin Meter	1SGD, (new Singapore dollar)
	SP555558	Coin Meter	Copper without grooves jeton
	569939	Coin Meter	0.1SGD, 0.2SGD, 0.5SGD, 1SGD; Electronic EMPv7
	SP555666	Coin Meter	2x50 Malaysian cent
	569933	Coin Meter	0.1EUR, 0.2EUR, 0.5EUR, 1EUR, 2EUR, Electronic EMPv7
	SP555559	Coin Meter	Speedy Matic jeton
	SP555579	Coin Meter	Was-Salon Lavoir jeton
	569948	Coin Meter	5CZK, 10CZK, 20CZK, 50CZK; Electronic EMPv7
	SP560744	Coin Meter	Electronic for Dobi Ekspres jeton
	569964	Coin Meter	0.2GBP, 0.5GBP, 1GBP, 2GBP / 0.1EUR, 0.2EUR, 0.5EUR, 1EUR, 2EUR / jeton KWL Auga / jeton Gettone; Electronic EMPv7
	SP560089	Coin Meter	STD 118-1 jeton
	SP560082	Coin Meter	5k IPSO jeton

Coin Meter - AF, FX, LP, LY, MW5 and PY (Drawing 3 of 3)

Всёzip

vsezip.ru

+7(812)987-08-81



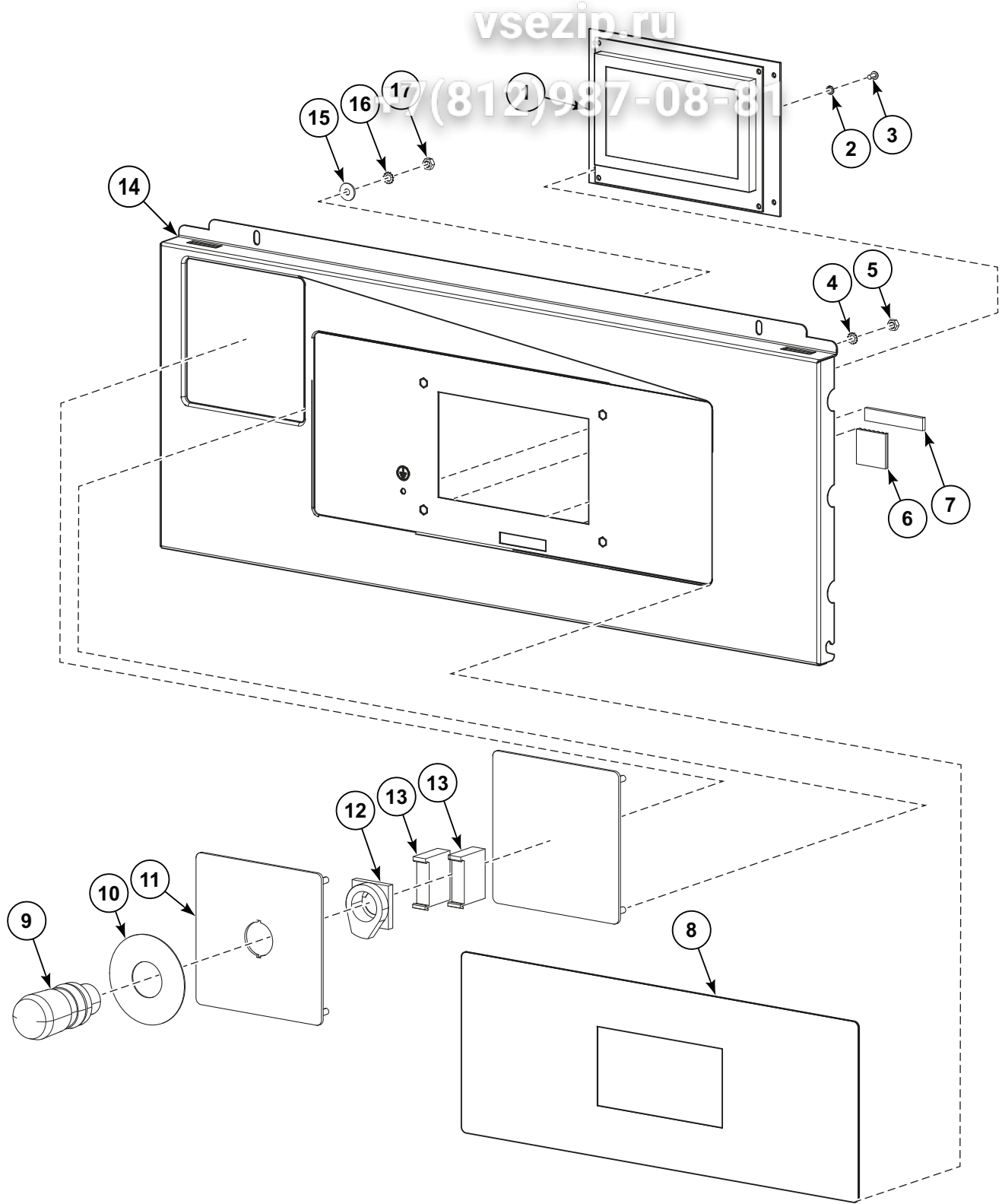
CZT185P_D2307

Coin Meter - AF, FX, LP, LY, MW and PY (Drawing 3 of 3)

REF	PART NO.	DESCRIPTION	COMMENTS
1	SP560083	Coin Meter	7k IPSO jeton
	SP560084	Coin Meter	10k IPSO jeton
	SP560085	Coin Meter	12k IPSO jeton
	SP560086	Coin Meter	15k IPSO jeton
	561378	Coin Meter	10 Moroccan Dirham
	569918	Coin Meter	0.25USD, 1USD / 0.25CAD, 1CAD, 2CAD; Electronic EMPv7
	560073	Coin Meter	0.25USD / 1USD
	569930	Coin Meter	1CNY / 0.1MYR, 0.2MYR, 0.5MYR; Electronic EMPv7
	569927	Coin Meter	0.2AUD, 1AUD, 2AUD / 1NZD, 2NZD / 5HKD, 10HKD / 500KRW; Electronic EMPv7
	561496	Coin Meter	Jeton Grupo Azkoyen CDS Automaten
	569936	Coin Meter	1PHP, 5PHP, 10PHP; Electronic EMPv7
	569942	Coin Meter	0.1MYR, 0.2MYR, 0.5MYR / 0.5SGD, 1SGD; Electronic EMPv7
	569945	Coin Meter	1HRK, 2HRK, 5HRK; Electronic EMPv7
	569924	Coin Meter	1DKK, 2DKK, 5DKK, 10DKK, 20DKK / 1NOK, 5NOK, 10NOK, 20NOK / 0.5EUR, 1EUR, 2EUR; Electronic EMPv7
	564484	Coin Meter	Jeton 118-5
	564486	Coin Meter	Jeton Barisart LDL
	569961	Coin Meter	0.1EUR, 0.2EUR, 0.5EUR, 1EUR, 2EUR / 5K IPSO jeton; Electronic EMPv7
	564489	Coin Meter	Jeton Sporrong
	569970	Coin Meter	0.5MYR / jeton DobiPapa 22.5x2; Electronic EMPv7
	553150	Coin Meter	Jeton with hole
	553151	Coin Meter	Jeton Deton Wash
	569967	Coin Meter	0.1EUR, 0.2EUR, 0.5EUR, 1EUR, 2EUR / jeton G-Fis Lavoir Bianca 20x1.8; Electronic EMPv7
	569973	Coin Meter	1AUD, 2AUD / jeton No Cash Value 28.6x1.58; Electronic EMPv7
	569979	Coin Meter	0.5MYR / jeton BUBBLELAB; Electronic EMPv7
	569954	Coin Meter	1PLN, 2PLN, 5PLN / 0.1EUR, 0.2EUR, 0.5EUR, 1EUR, 2EUR / ISK10, ISK50, ISK100; Electronic EMPv7
	569987	Coin Meter	HAUCK 2018
	569901	Coin Meter	Brass jeton
	569912	Coin Meter	Jeton Wassalon lavoir
	569998	Coin Meter	100+500 ISK
	572301	Coin Meter	Token 118-16
	572304	Coin Meter	1ILS, 2ILS, 5ILS, 10ILS; Electronic EMPv7
	572307	Coin Meter	1ZAR, 2ZAR, 5ZAR; Electronic EMPv7
	572310	Coin Meter	5RUB, 10RUB; Electronic EMPv7
	572313	Coin Meter	50CLP, 100CLP, 500CLP; Electronic EMPv7
	572317	Coin Meter	100JPY, 500JPY, 10TWD, 50TWD; Electronic EMPv7
	572320	Coin Meter	0.5GEL, 1GEL, 2GEL; Electronic EMPv7
	572323	Coin Meter	0.2 EUR, 0.5EUR, 1EUR, 2EUR, Jeton 7K; Electronic EMPv7
	572326	Coin Meter	20HUF, 50HUF, 100HUF, 200HUF; Electronic EMPv7
	572339	Coin Meter	Getton Jeton (26mm diameter x 1.7mm)
	572342	Coin Meter	Token WH121
	579808	Coin Meter	1EAD, 1TK, 2TK; Electronic EMPv7

Control Panel CPL AF, IY and NY Models

Models with G, H, J or K in 13th Position except Models with V in 7th Position



CZW284P_D2307

Control Panel CPL AF IY and NY Models

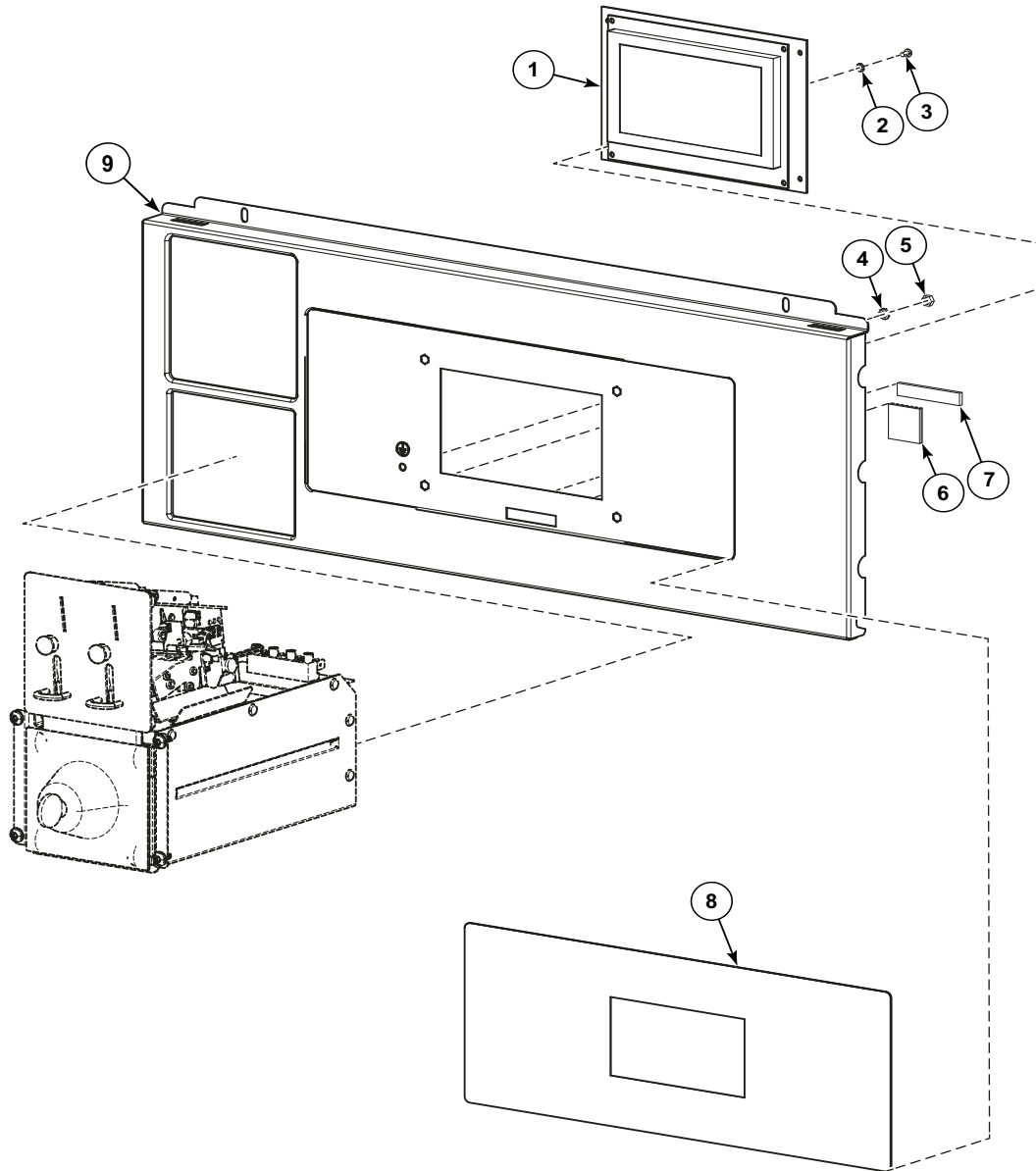
REF	PART NO.	DESCRIPTION	COMMENTS
1	SP553419	Control Board	IY models; MC7
	553411	Control Board	AF and NY Models; MC7
2	SP311679800003	Washer	M3
3	SP309798500306	Bolt	M,3x6
4	SP311679800004	Washer	M4
5	SP310934000004	Nut	M4
6	SP550115	Fastener	
7	SP284000012003	Tape	
8	SP557565	Keyboard	IY models; Aries Elite
	SP557566	Keyboard	IY models; Aries
	SP560748	Keyboard	Without logo; With numeric keypad
	SP560747	Keyboard	Without logo; Without numeric keypad
	547087	Keyboard	AF and NY Models; Professional; Black
	547088	Keyboard	AF and NY Models; Basic; Black
9	SP528310	Emergency Stop Knob	Used with SP520032 Emergency Stop Wiring
10	SPPRI551005248	Emergency Stop Label	
11	567924	Coin Meter Cover	
12	SP528311	Emergency Stop Connector	
13	SP528312	Switching Unit	
14	573077	Control Panel	MC7; OPL; Card
15	SP311902100004	Washer	M4
16	SP311679800004	Washer	M4
17	SP310934000004	Nut	M4

Control Panel Vended - AF, IY and NY Models

Models with G, H, J or K in 13th Position except Models with V in 7th Position

vsezip.ru

+7(812)987-08-81



CZW285P_D2307

Control Panel Vended - AF, IY and NY Models

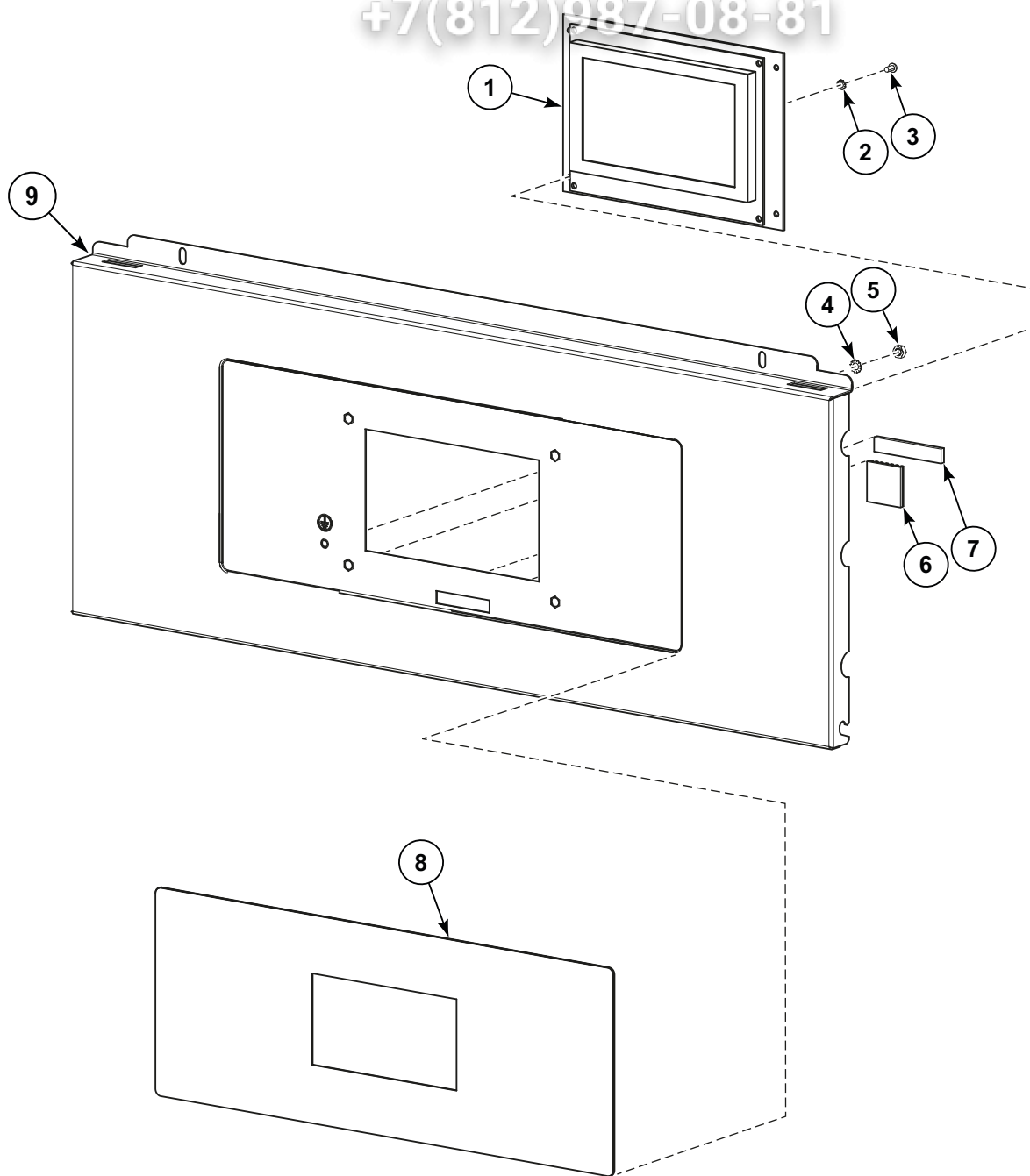
REF	PART NO.	DESCRIPTION	COMMENTS
1	SP553419	Control Board	IY models; MC7
	553411	Control Board	AF and NY Models; MC7
2	SP311679800003	Washer	M3
3	SP309798500306	Bolt	M,3x6
4	SP311679800004	Washer	M4
5	SP310934000004	Nut	M4
6	SP550115	Fastener	
7	SP284000012003	Tape	
8	SP557566	Keyboard	IY models; Aries
	SP560747	Keyboard	Without logo; Without numeric keypad
	547088	Keyboard	AF and NY Models; Basic; Black
9	573063	Control Panel	

Control Panel for Central Payment System – AF, IY and NY Models

Models with G, H, J or K in 13th Position except Models with V in 7th Position

vsezip.ru

+7(812)987-08-81



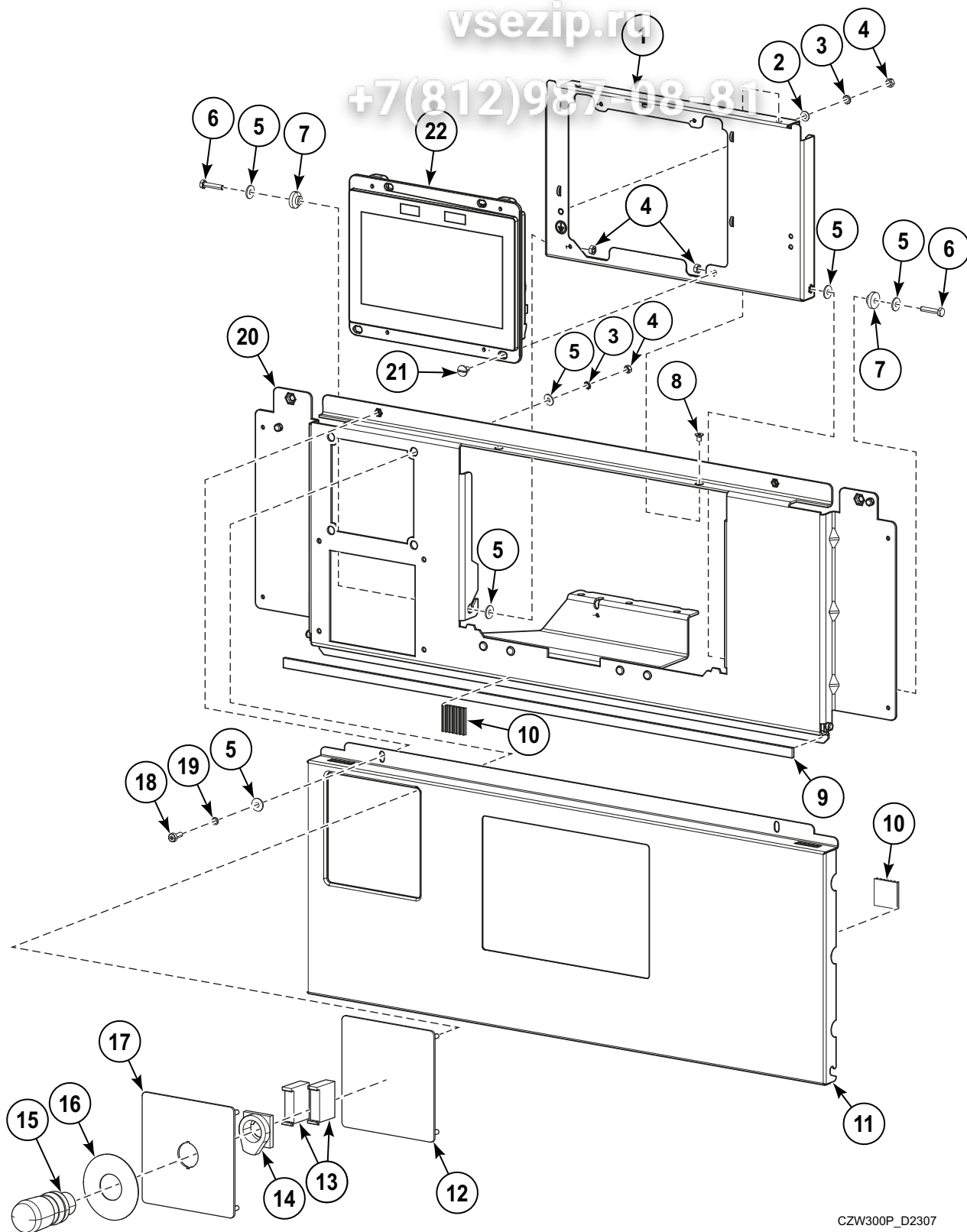
CZW286P_D2307

Control Panel for Central Payment System – AF, IY and NY Models

REF	PART NO.	DESCRIPTION	COMMENTS
1	SP553419	Control Board	IY models; MC7
	553411	Control Board	AF and NY Models; MC7
2	SP311679800003	Washer	M3
3	SP309798500306	Bolt	M,3x6
4	SP311679800004	Washer	M4
5	SP310934000004	Nut	M4
6	SP550115	Fastener	
7	SP284000012003	Tape	
8	SP557566	Keyboard	IY models; Aries
	SP560747	Keyboard	Without logo; Without numeric keypad
	547088	Keyboard	AF and NY Models; Basic; Black
9	573079	Control Panel	

Control Panel OPL AF, IY, JY and NY Models

Models with V in 7th Position



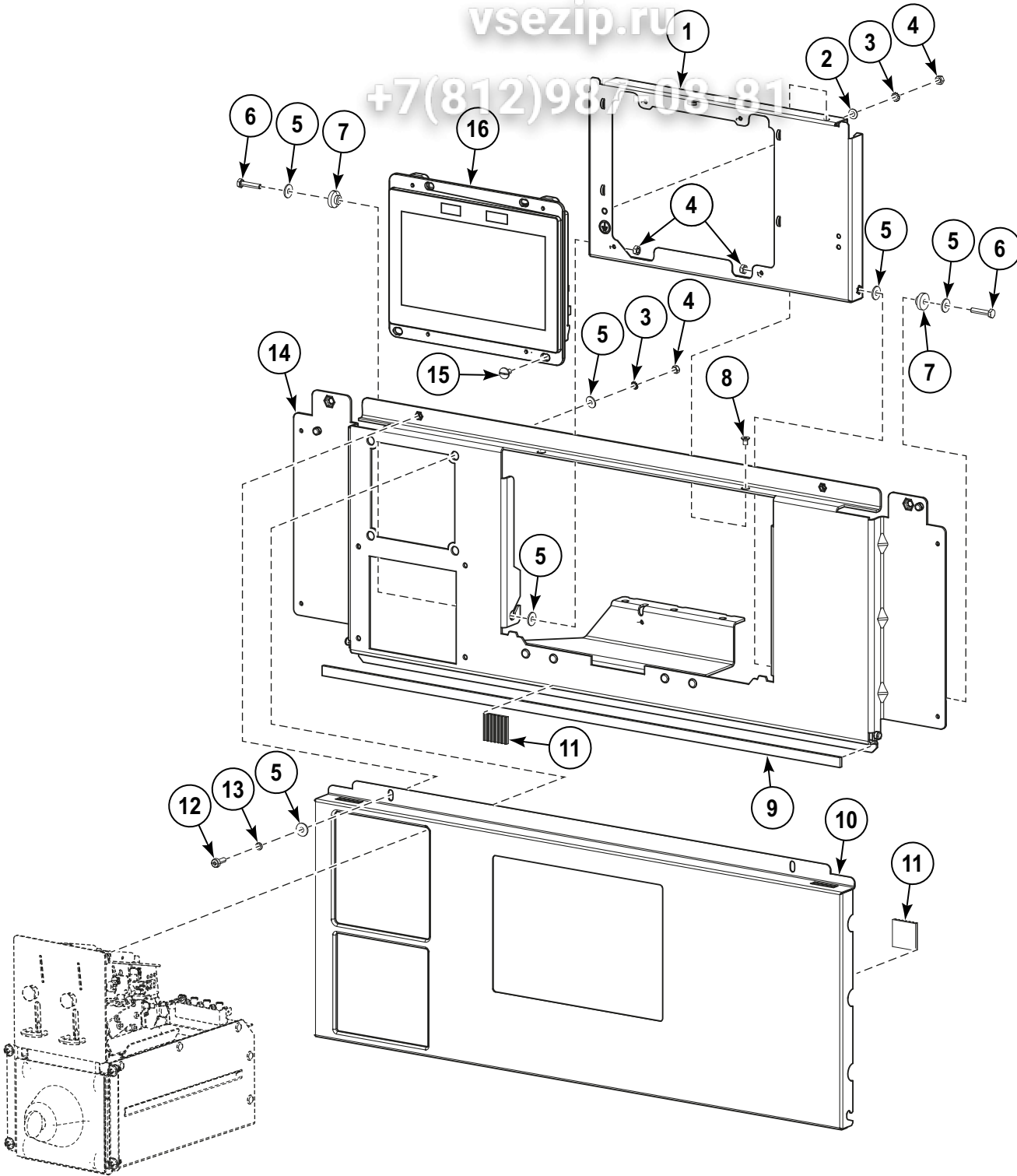
CZW300P_D2307

Control Panel OPL AF, IY, JY and NY Models

REF	PART NO.	DESCRIPTION	COMMENTS
1	571041	Control Holder	
2	SP311125000004	Washer	M4
3	SP311679800004	Washer	M4
4	SP310934000004	Nut	M4
5	SP311902100004	Washer	M4
6	569655	Bolt	M4x25
7	SP550113	Leading Pin	
8	SP309965240408	Bolt	M4x8
9	SP284000012003	Tape	0.558m
10	SP550115	Fastener	
11	573123	Control Panel	
12	567925	Label Covering	
13	SP528312	Switching Unit	
14	SP528311	Emergency Stop Connector	
15	SP528310	Emergency Stop Knob	Used with SP520032 Emergency Stop Wiring
16	SPPRI551005248	Emergency Stop Label	
17	567924	Coin Meter Cover	
18	SP555504	Bolt	M4x12
19	SP311127000004	Washer	4
20	573028	Control Panel	
21	309500240408	Bolt	M4x8
22	572505	Control	MC10; Through Serial No. 240FX009978SF
	575632	Control	MC10; Starting Serial No. 240FX009979SF

Control Panel Vended - AF, JY, JY and NY Models

Models with V in 7th Position



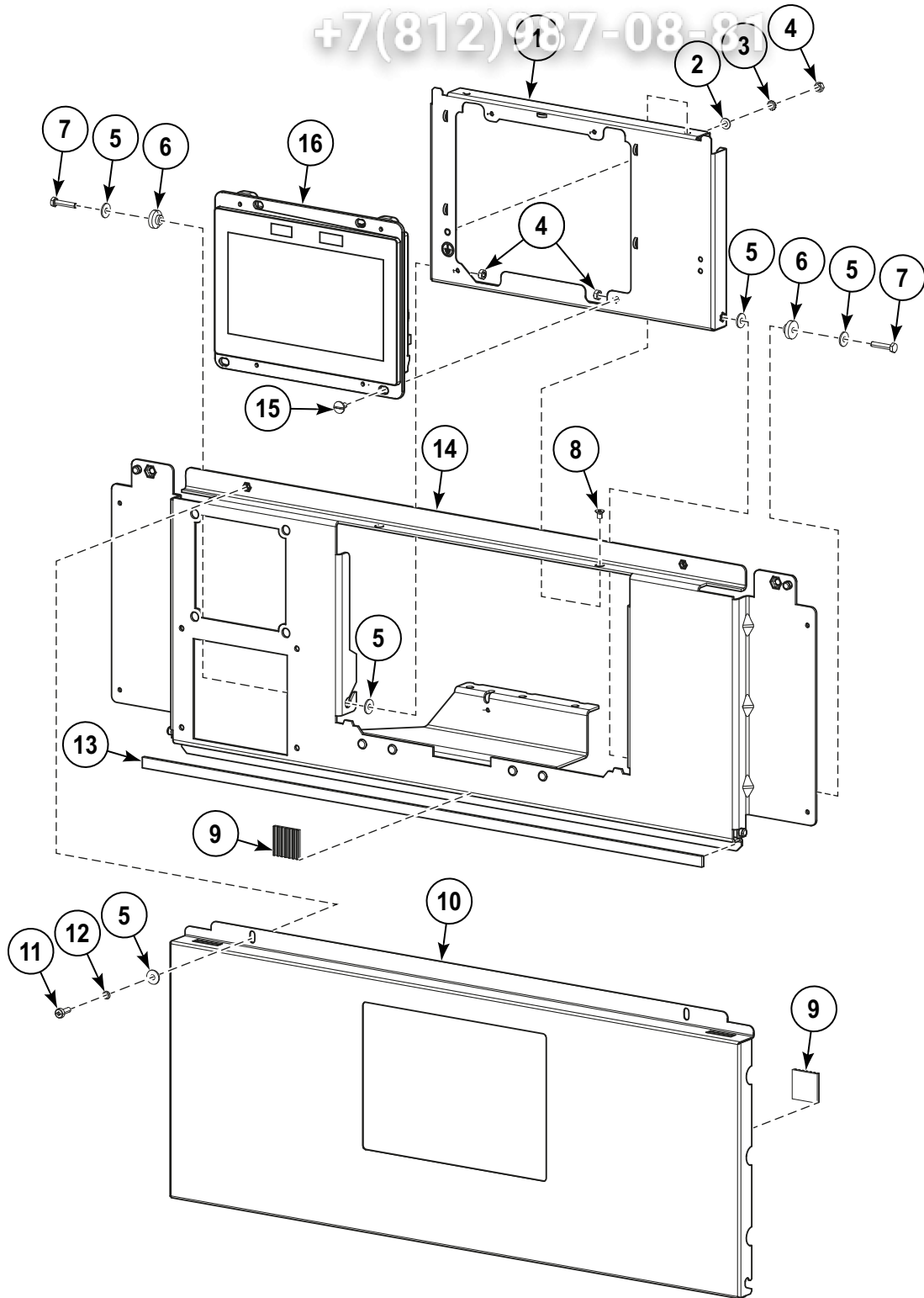
CZW301P_D2307

Control Panel Vended - AF, IY, JY and NY Models

REF	PART NO.	DESCRIPTION	COMMENTS
1	571041	Control Holder	
2	SP311125000004	Washer	M4
3	SP311679800004	Washer	M4
4	SP310934000004	Nut	M4
5	SP311902100004	Washer	M4
6	569655	Bolt	M4x25
7	SP550113	Leading Pin	
8	SP309965240408	Bolt	M4x8
9	SP284000012003	Tape	0.558m
10	573121	Control Panel	
11	SP550115	Fastener	
12	SP555504	Bolt	M4x12
13	SP311127000004	Washer	4
14	573028	Control Panel	
15	309500240408	Bolt	M4x8
16	572505	Control	MC10; Through Serial No. 240FX009978SF
	575632	Control	MC10; Starting Serial No. 240FX009979SF

Control Panel for Central Payment System – AF, IY, JY and NY Models

Models with V in 7th Position



CZW302P_D2307

Control Panel for Central Payment System – AF, IY, JY and NY Models

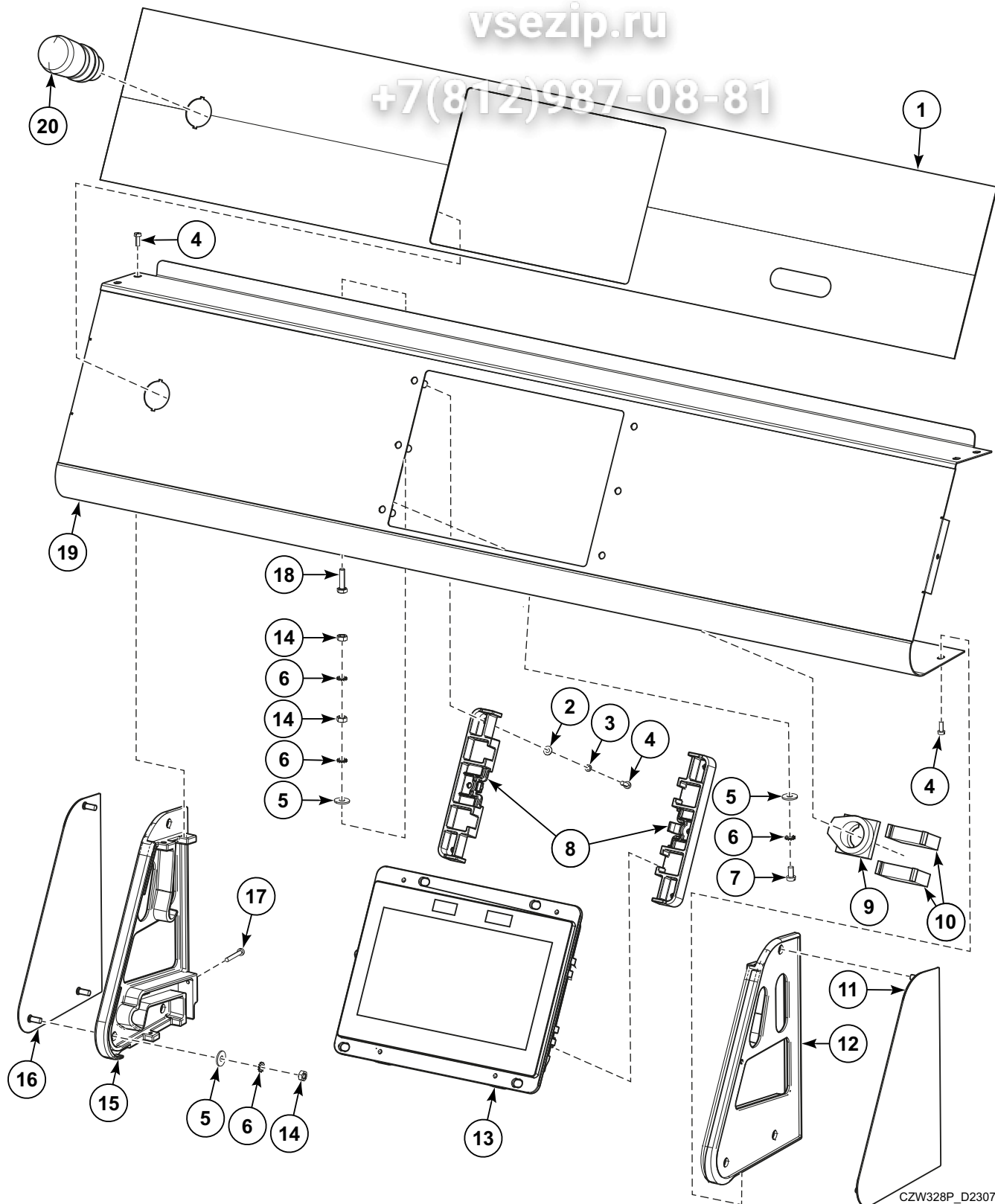
REF	PART NO.	DESCRIPTION	COMMENTS
1	571041	Control Holder	
2	SP311125000004	Washer	M4
3	SP311679800004	Washer	M4
4	SP310934000004	Nut	M4
5	SP311902100004	Washer	M4
6	SP550113	Leading Pin	
7	569655	Bolt	M4x25
8	SP309965240408	Bolt	M4x8
9	SP550115	Fastener	
10	573125	Control Panel	
11	SP555504	Bolt	M4x12
12	SP311127000004	Washer	4
13	SP284000012003	Tape	0.558m
14	573028	Control Panel	
15	309500240408	Bolt	M4x8
16	572505	Control	MC10; Through Serial No. 240FX009978SF
	575632	Control	MC10; Starting Serial No. 240FX009979SF

Control Panel OPI - FX and PY Models

Models with V in 7th Position Through Serial No. 240FX009967SF

vsezip.ru

+7(812)987-08-81



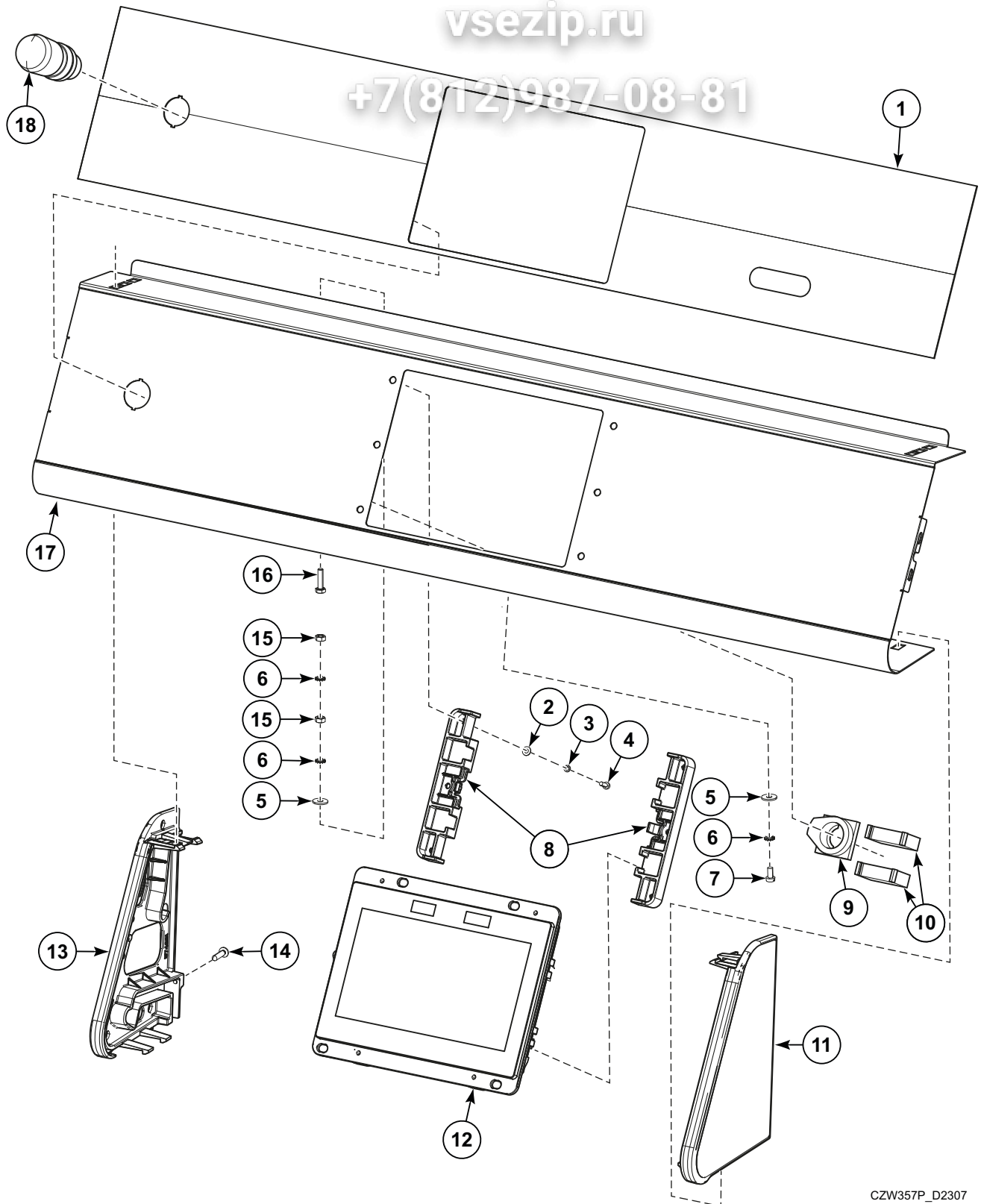
CZW328P_D2307

Control Panel OPI - FX and PY Models

REF	PART NO.	DESCRIPTION	COMMENTS
1	573928	Overlay	
	574218	Overlay	OEM
2	SP311125000003	Washer	M3
3	SP311127000003	Washer	3
4	SP309084000308	Bolt	M3x8
5	SP311902100004	Washer	M4
6	SP311679800004	Washer	M4
7	SP309084000408	Bolt	M4x8
8	573929	Sidewall	
9	SP528311	Emergency Stop Connector	
10	SP528312	Switching Unit	
11	572586	Sidewall	Right
12	572572	Sidewall	Right
13	572505	Control	MC10; Through Serial No. 240FX009978SF
	575632	Control	MC10; Starting Serial No. 240FX009979SF
14	SP310934000004	Nut	M4
15	572571	Sidewall	Left
16	572588	Sidewall	Left
17	SP309084000320	Bolt	M3x20
18	SP309933000416	Bolt	M4x16
19	572584	Nose Assembly	Includes item 1 and 573930 Nut
	574236	Nose Assembly	OEM; Includes item 1 and 573930 Nut
20	SP528310	Emergency Stop Knob	Used with SP520032 Emergency Stop Wiring

Control Panel OPI - FX and PY Models

Models with V in 7th Position Starting Serial No. 240FX009968SF



CZW357P_D2307

Control Panel OPI - FX and PY Models

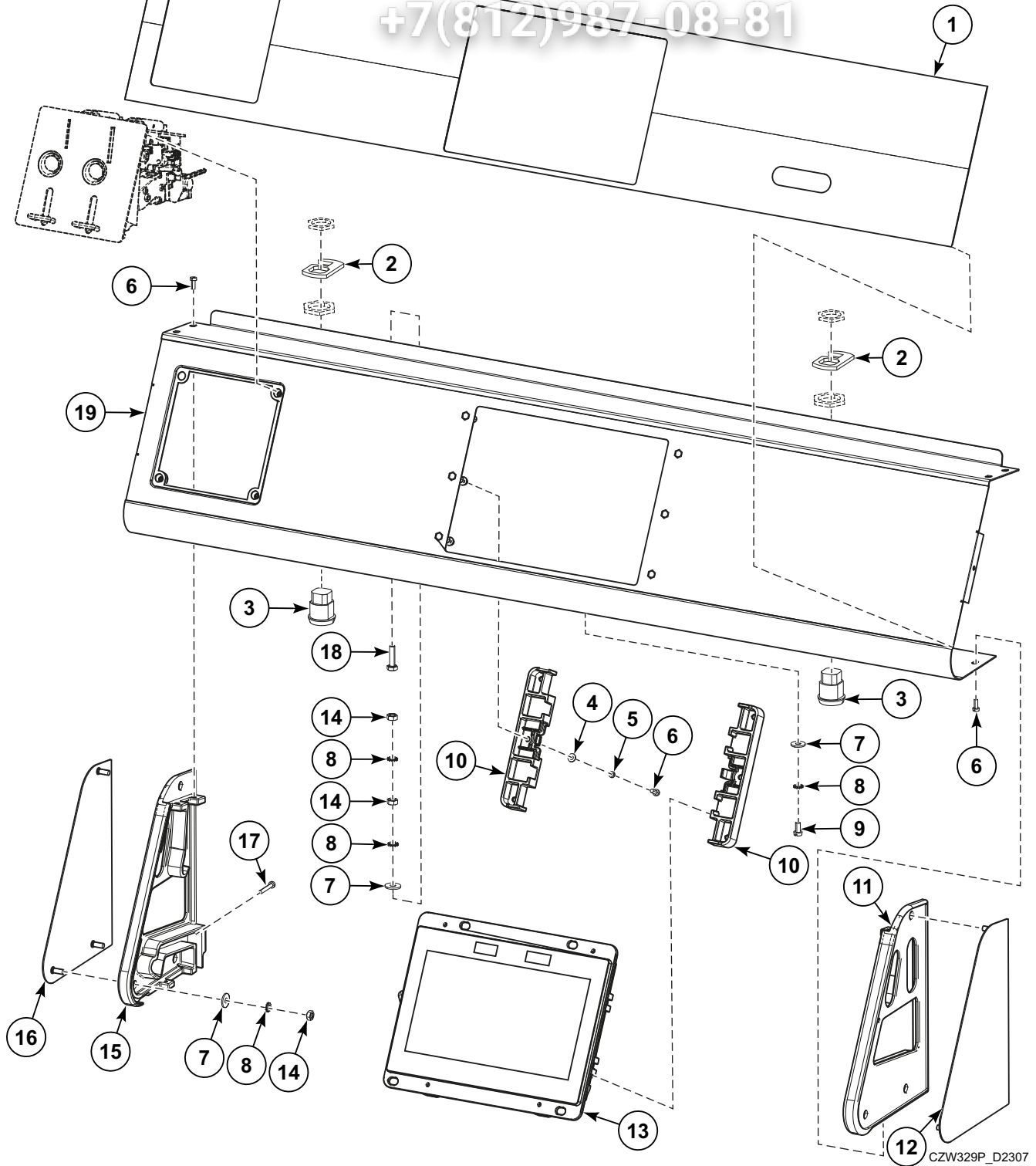
REF	PART NO.	DESCRIPTION	COMMENTS
1	573928	Overlay	
	574218	Overlay	OEM
2	SP311125000003	Washer	M3
3	SP311127000003	Washer	3
4	SP309084000308	Bolt	M3x8
5	SP311902100004	Washer	M4
6	SP311679800004	Washer	M4
7	SP309084000408	Bolt	M4x8
8	573929	Sidewall	
9	SP528311	Emergency Stop Connector	
10	SP528312	Switching Unit	
11	576070	Sidewall	Right
12	575632	Control	7", MC10
13	576069	Sidewall	Left
14	SP520407	Screw	
15	SP310934000004	Nut	M4
16	SP309933240412	Bolt	M4x12
17	576035	Nose Assembly	Includes item 1 and 573930 Nut
	576044	Nose Assembly	OEM; Includes item 1 and 573930 Nut
18	SP528310	Emergency Stop Knob	Used with SP520032 Emergency Stop Wiring

Control Panel Vended - FX and PY Models

Models with V in 7th Position Through Serial No. 240FX009967SF

vsezip.ru

+7(812)987-08-81



Control Panel Vended - FX and PY Models

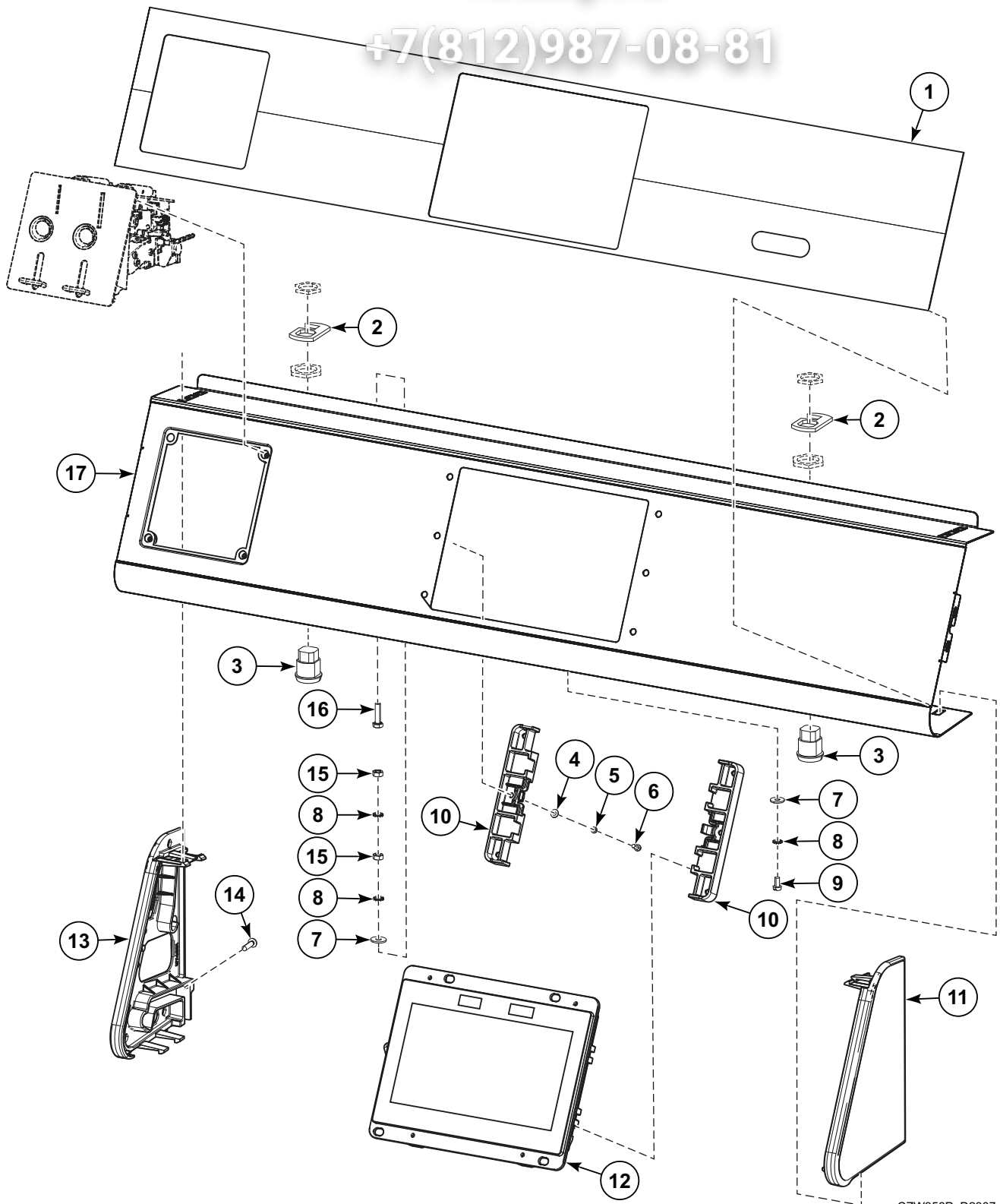
REF	PART NO.	DESCRIPTION	COMMENTS
	SP520033	Emergency Stop Interconnection	
1	573937	Overlay	
	574221	Overlay	OEM
2	SPPRI610002007	Hook Lock	
3	SP547527	Lock	Includes Nuts – 2 pieces
	SP550616	Key	Used with SP547527 Lock
4	SP311125000003	Washer	M3
5	SP311127000003	Washer	3
6	SP309084000308	Bolt	M3x8
7	SP311902100004	Washer	M4
8	SP311679800004	Washer	M4
9	SP309084000408	Bolt	M4x8
10	573929	Sidewall	
11	572572	Sidewall	Right
12	572586	Sidewall	Right
13	572505	Control	MC10; Through Serial No. 240FX009978SF
	575632	Control	MC10; Starting Serial No. 240FX009979SF
14	SP310934000004	Nut	M4
15	572571	Sidewall	Left
16	572588	Sidewall	Left
17	SP309084000320	Bolt	M3x20
18	SP309933000416	Bolt	M4x16
19	574129	Nose Assembly	Includes item 1 and 573930 Nut
	574239	Nose Assembly	OEM; Includes item 1 and 573930 Nut

Control Panel Vended - FX and PY Models

Models with V in 7th Position Starting Serial No. 240FX009968SF

vsezip.ru

+7(812)987-08-81



CZW358P_D2307

Control Panel Vended - FX and PY Models

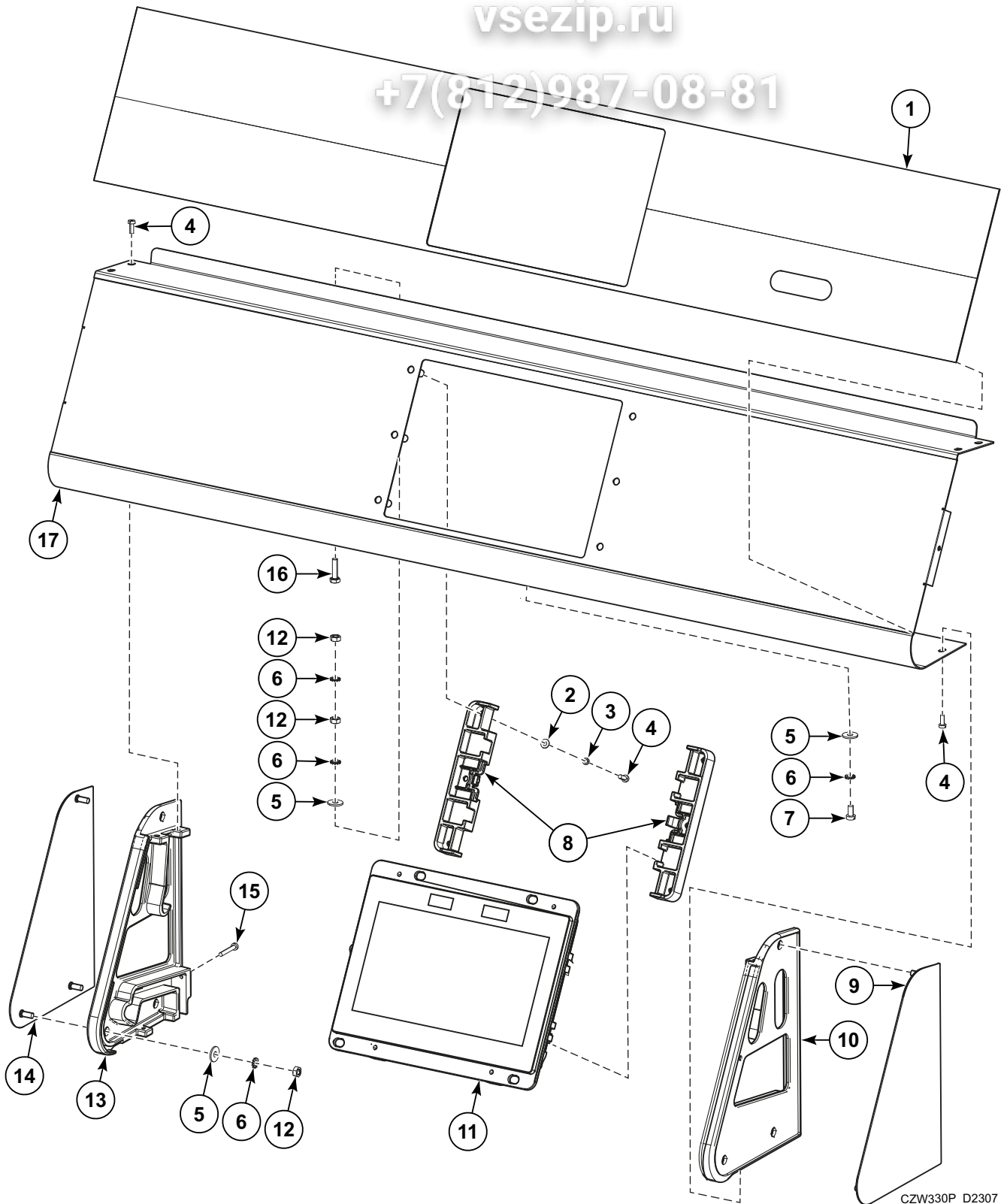
REF	PART NO.	DESCRIPTION	COMMENTS
	SP520033	Emergency Stop Interconnection	
1	573937	Overlay	
	574221	Overlay	OEM
2	SPPRI610002007	Hook Lock	
3	SP547527	Lock	Includes Nuts – 2 pieces
	SP550616	Key	Used with SP547527 Lock
4	SP311125000003	Washer	M3
5	SP311127000003	Washer	3
6	SP309084000308	Bolt	M3x8
7	SP311902100004	Washer	M4
8	SP311679800004	Washer	M4
9	SP309084000408	Bolt	M4x8
10	573929	Sidewall	
11	576070	Sidewall	Right
12	575632	Control	7", MC10
13	576069	Sidewall	Left
14	SP520407	Screw	
15	SP310934000004	Nut	M4
16	SP309933240412	Bolt	M4x12
17	576038	Nose Assembly	Includes item 1 and 573930 Nut
	576047	Nose Assembly	OEM; Includes item 1 and 573930 Nut

Control Panel for Central Payment System - FX and PY Models

Models with V in 7th Position Through Serial No. 240FX009967SF

vsezip.ru

+7(812)987-08-81



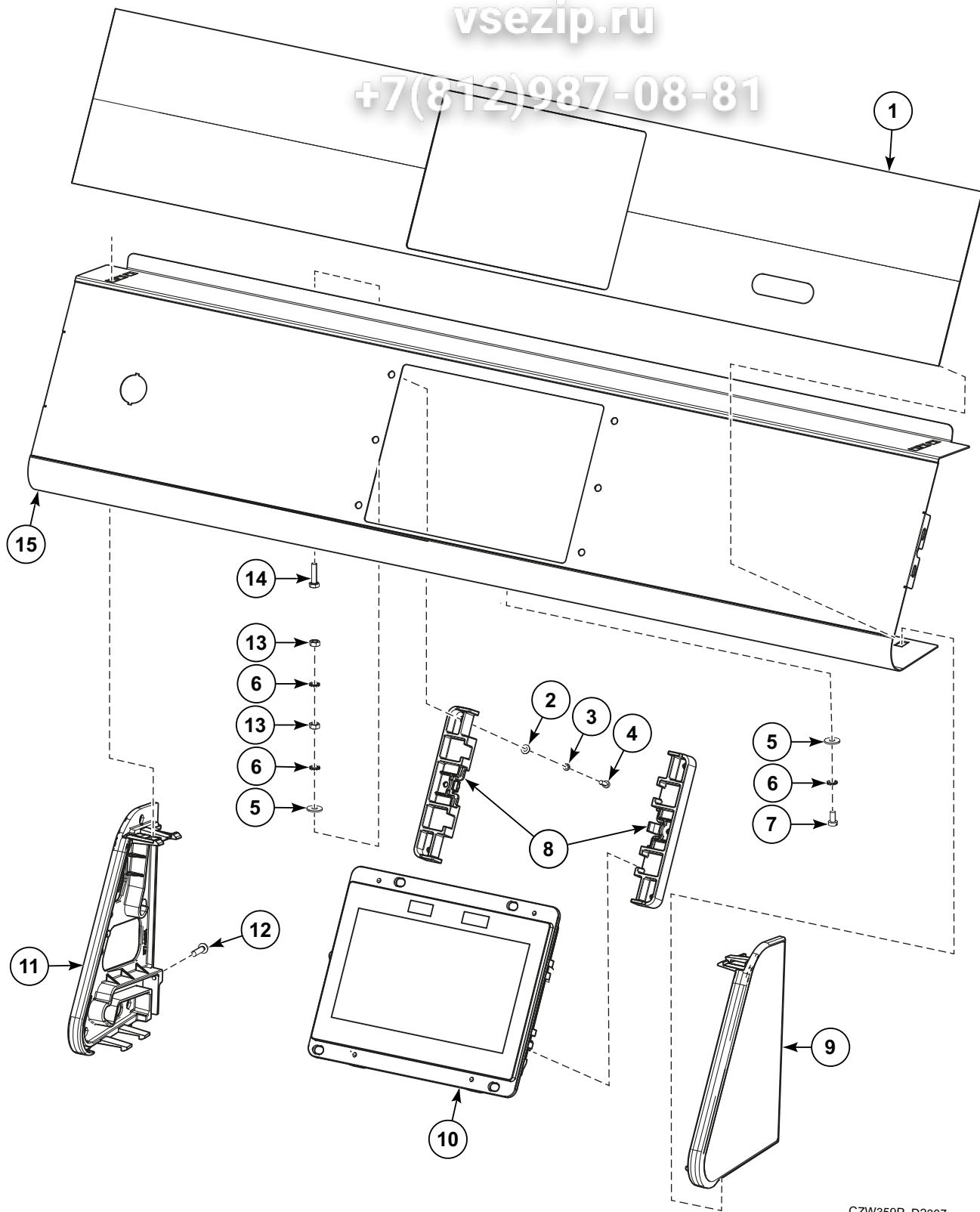
CZW330P_D2307

Control Panel for Central Payment System - FX and PY Models

REF	PART NO.	DESCRIPTION	COMMENTS
	571485	Emergency Stop Interconnection	
1	573952	Overlay	
	574224	Overlay	OEM
2	SP311125000003	Washer	M3
3	SP311127000003	Washer	3
4	SP309084000308	Bolt	M3x8
5	SP311902100004	Washer	M4
6	SP311679800004	Washer	M4
7	SP309084000408	Bolt	M4x8
8	573929	Sidewall	
9	572586	Sidewall	Right
10	572572	Sidewall	Right
11	572505	Control	MC10; Through Serial No. 240FX009978SF
	575632	Control	MC10; Starting Serial No. 240FX009979SF
12	SP310934000004	Nut	M4
13	572571	Sidewall	Left
14	572588	Sidewall	Left
15	SP309084000320	Bolt	M3x20
16	SP309933000416	Bolt	M4x16
17	573955	Nose Assembly	Includes item 1 and 573930 Nut
	574242	Nose Assembly	OEM; Includes item 1 and 573930 Nut

Control Panel for Central Payment System - FX and PY Models

Models with V in 7th Position Starting Serial No. 240FX009968SF



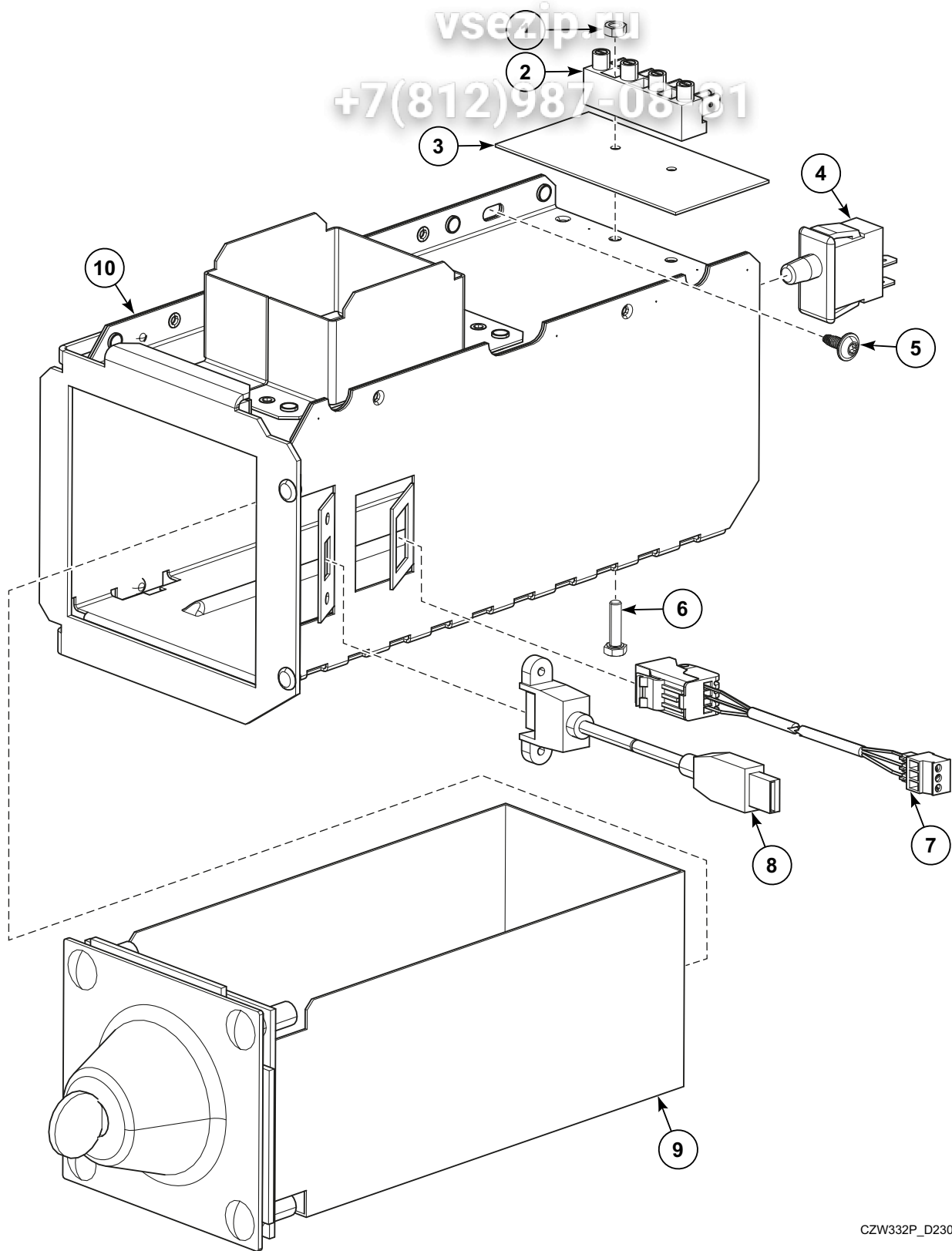
CZW359P_D2307

Control Panel for Central Payment System - FX and PY Models

REF	PART NO.	DESCRIPTION	COMMENTS
	571485	Emergency Stop Interconnection	
1	573952	Overlay	
	574224	Overlay	CEM
2	SP311125000003	Washer	M3
3	SP311127000003	Washer	3
4	SP309084000308	Bolt	M3x8
5	SP311902100004	Washer	M4
6	SP311679800004	Washer	M4
7	SP309084000408	Bolt	M4x8
8	573929	Sidewall	
9	576070	Sidewall	Right
10	575632	Control	7"; MC10
11	576069	Sidewall	Left
12	SP520407	Screw	
13	SP310934000004	Nut	M4
14	SP309933240412	Bolt	M4x12
15	576041	Nose Assembly	Includes item 1 and 573930 Nut
	576050	Nose Assembly	OEM; Includes item 1 and 573930 Nut

Coin Meter Box

All Models Except AF, IY and NY Models with V in 7th Position or G, H, J or K in 13th Position



CZW332P_D2307

Coin Meter Box

REF	PART NO.	DESCRIPTION	COMMENTS
1	SP310934000004	Nut	M4
2	SPPRI350000007	Terminal Board	
3	SPPRI350012007	Isolation Paper	
4	N/A	Microswitch	
5	SP529206	Screw	4x11
6	SP309933000416	Bolt	M4x16
7	SP545234	Cable	With connectors; RS485
8	569668	USB Cable	
9	SP102532	Coin Meter Box	
	100498	Coin Meter Box	Large
10	571049	Coin Meter Case	
	571055	Coin Meter Case	Large

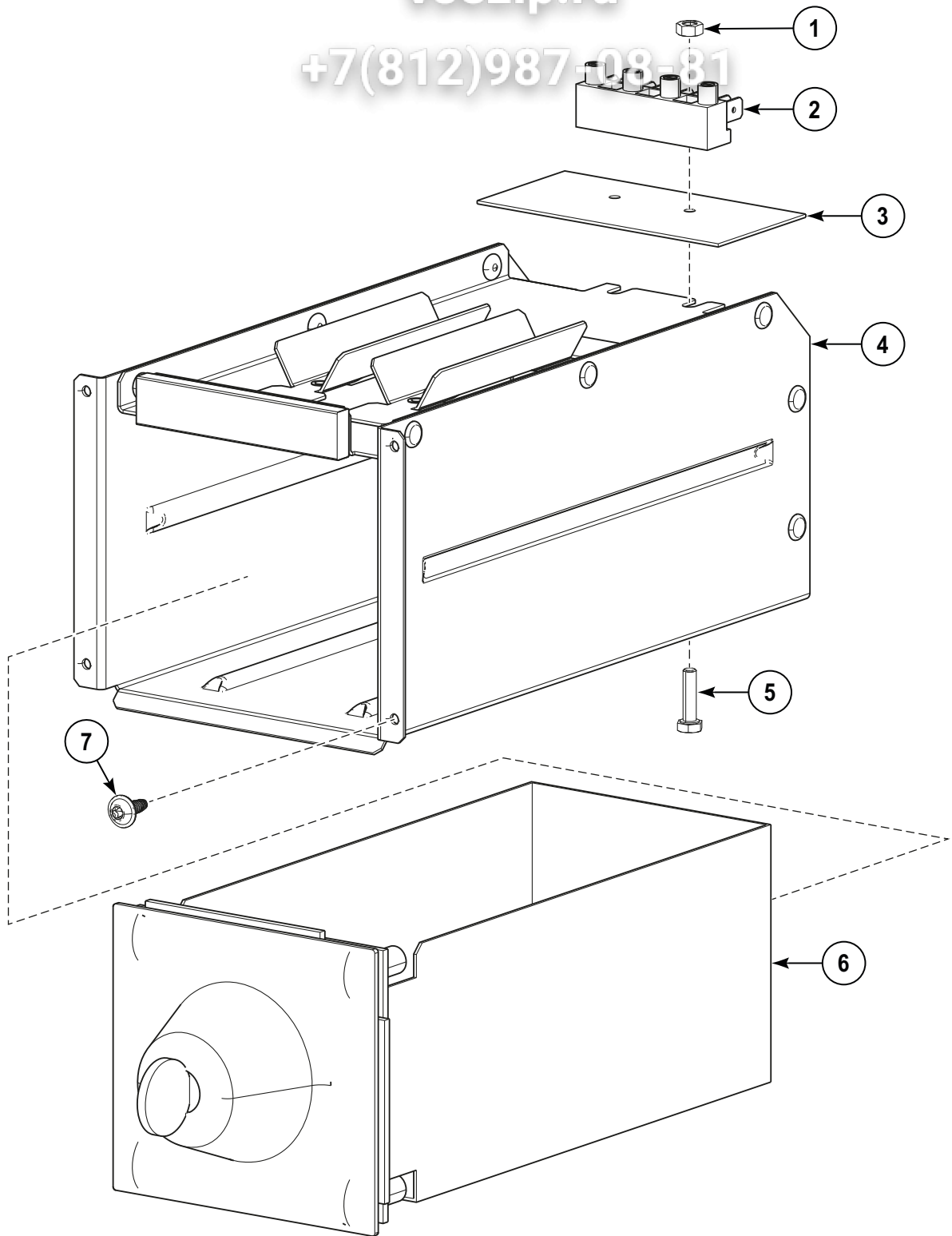
N/A = Part no longer available

Coin Meter Box - AF, IY and NY Models

Models with V in 7th Position or G, H, J or K in 13th Position

vsezip.ru

+7(812)987-08-81



CZW287P_D2307

Coin Meter Box - AF, IY and NY Models

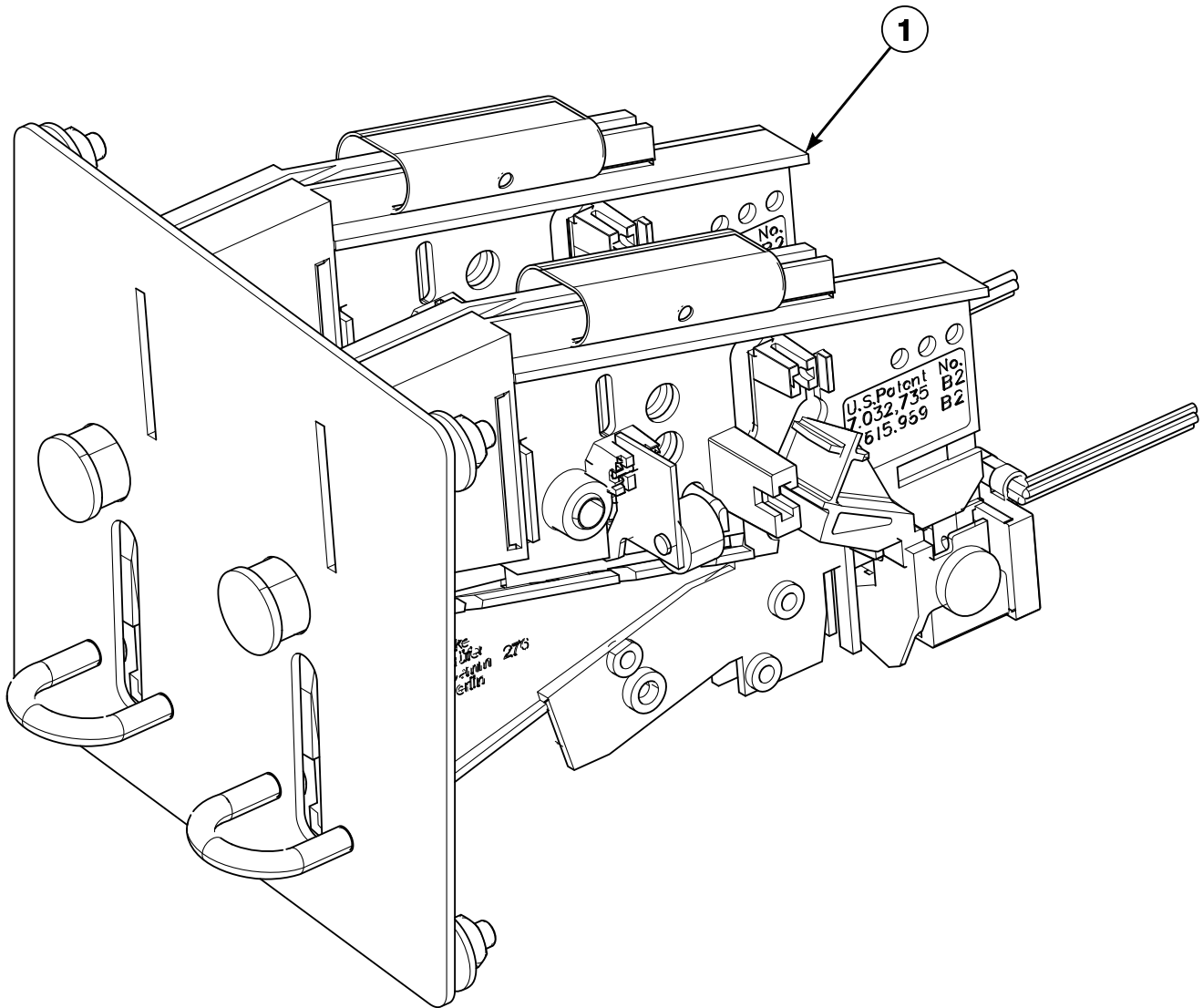
REF	PART NO.	DESCRIPTION	COMMENTS
1	SP310934000004	Nut	M4
2	SPPRI350000007	Terminal Board	
3	SPPRI350012007	Isolation Paper	
4	573009	Coin Meter Case	
5	SP309933000416	Bolt	M4x16
6	568036	Coin Meter Box	
7	SP529206	Screw	4x11

Coin Meter - AF, IY and NY Models (Drawing 1 of 3)

Models with V in 7th Position or G, H, J or K in 13th Position

vsezip.ru

+7(812)987-08-81



CZW233P_D2307

Coin Meter - AF, IY and NY Models (Drawing 1 of 3)

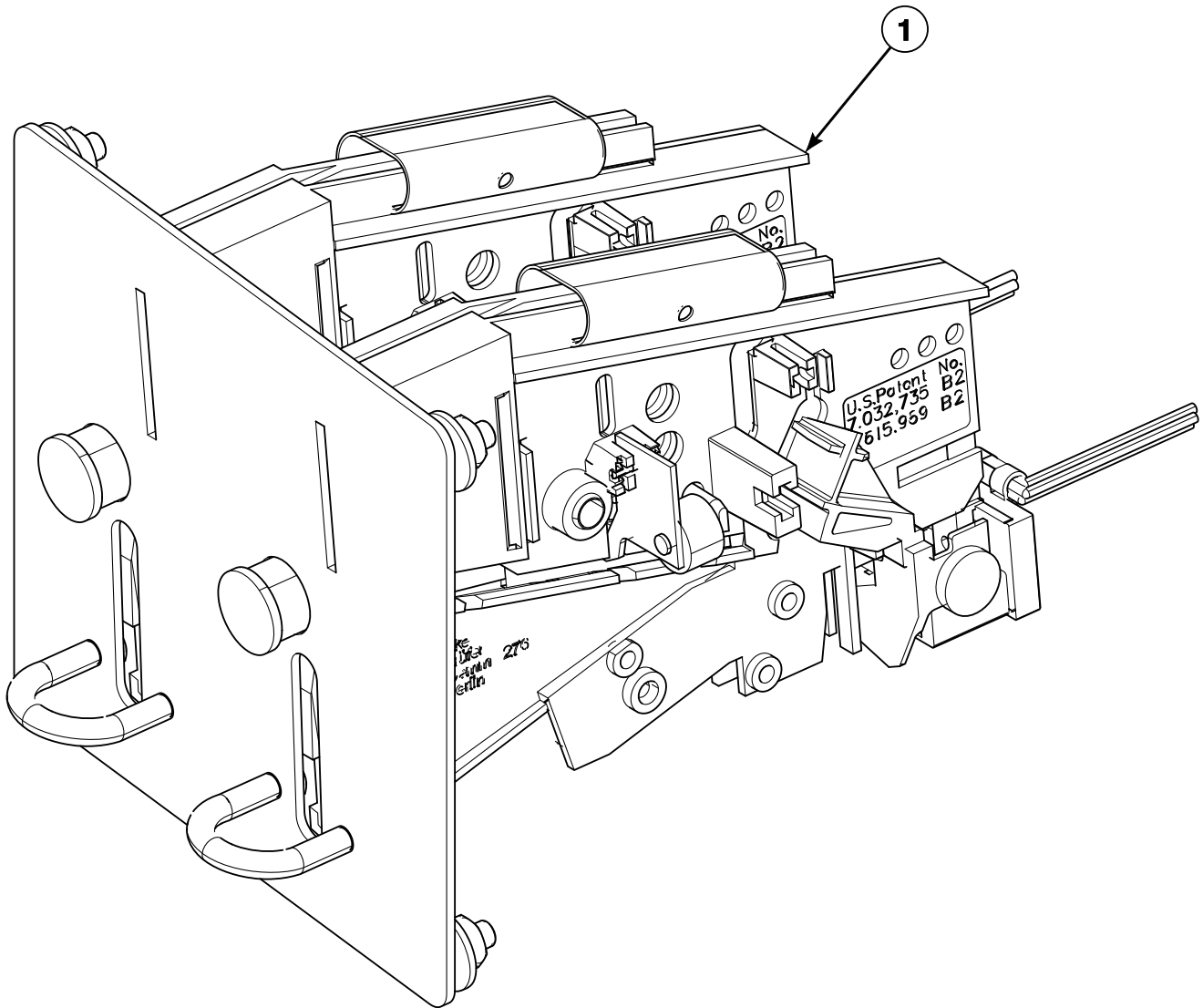
REF	PART NO.	DESCRIPTION	COMMENTS
1	SP568002	Coin Meter	GDPR EUR; Electronic EMPv7
	SP568003	Coin Meter	5K jeton
	SP568004	Coin Meter	7K jeton
	SP568005	Coin Meter	10K jeton
	SP568006	Coin Meter	12K jeton
	SP568007	Coin Meter	15K jeton
	SP568008	Coin Meter	5K jeton
	SP568009	Coin Meter	1EUR
	SP568010	Coin Meter	0.5EUR
	SP568011	Coin Meter	1EUR + 2EUR
	SP568012	Coin Meter	2EUR
	SP568013	Coin Meter	0.2EUR + 0.5EUR
	SP568014	Coin Meter	0.25EUR
	SP568015	Coin Meter	0.2EUR + 1EUR
	SP568016	Coin Meter	0.5EUR + 2EUR
	SP568017	Coin Meter	0.25EUR
	575218	Coin Meter	1 Singapore dollar
	575219	Coin Meter	1NZD and 2NZD
	575220	Coin Meter	Easy games jeton
	575221	Coin Meter	Flat polis jeton
	575222	Coin Meter	Butzi wash jeton
	575223	Coin Meter	Speedy matic jeton
	575224	Coin Meter	Laundromatic Belgium jeton; Diameter 22.3mm
	575225	Coin Meter	500WON
	575226	Coin Meter	Dobi ekspress jeton
	575227	Coin Meter	Lucky winner jeton
	575228	Coin Meter	Gettone jeton
	575229	Coin Meter	10 Taiwan dollar
	575230	Coin Meter	Electrolux Asard jeton
	575231	Coin Meter	Gettone jeton
	575232	Coin Meter	5+1 Shekel
	575233	Coin Meter	1HKD
	575234	Coin Meter	Jeton Prinz Firbitex
	575235	Coin Meter	Token Ldl Chamberland Washing Machine
	575236	Coin Meter	Token 118-5
	575237	Coin Meter	Token Barisart (Ldl)
	575238	Coin Meter	Token Rotondi
	575239	Coin Meter	Brass jeton
	575240	Coin Meter	0.5CHF + 2CHF
	575241	Coin Meter	Jeton HAUCK 2018
	575242	Coin Meter	Jeton 08 MS, diameter 24.9mm
	575243	Coin Meter	Jeton D
	575244	Coin Meter	10+50 TWD
	575245	Coin Meter	100+500 ISK
	575246	Coin Meter	Token 118-16
	575247	Coin Meter	Token WH121
	575248	Coin Meter	Token Nr. 1699360

Coin Meter - AF, IY and NY Models (Drawing 2 of 3)

Models with V in 7th Position or G, H, J or K in 13th Position

vsezip.ru

+7(812)987-08-81



CZW233P_D2307

Coin Meter - AF, IY and NY Models (Drawing 2 of 3)

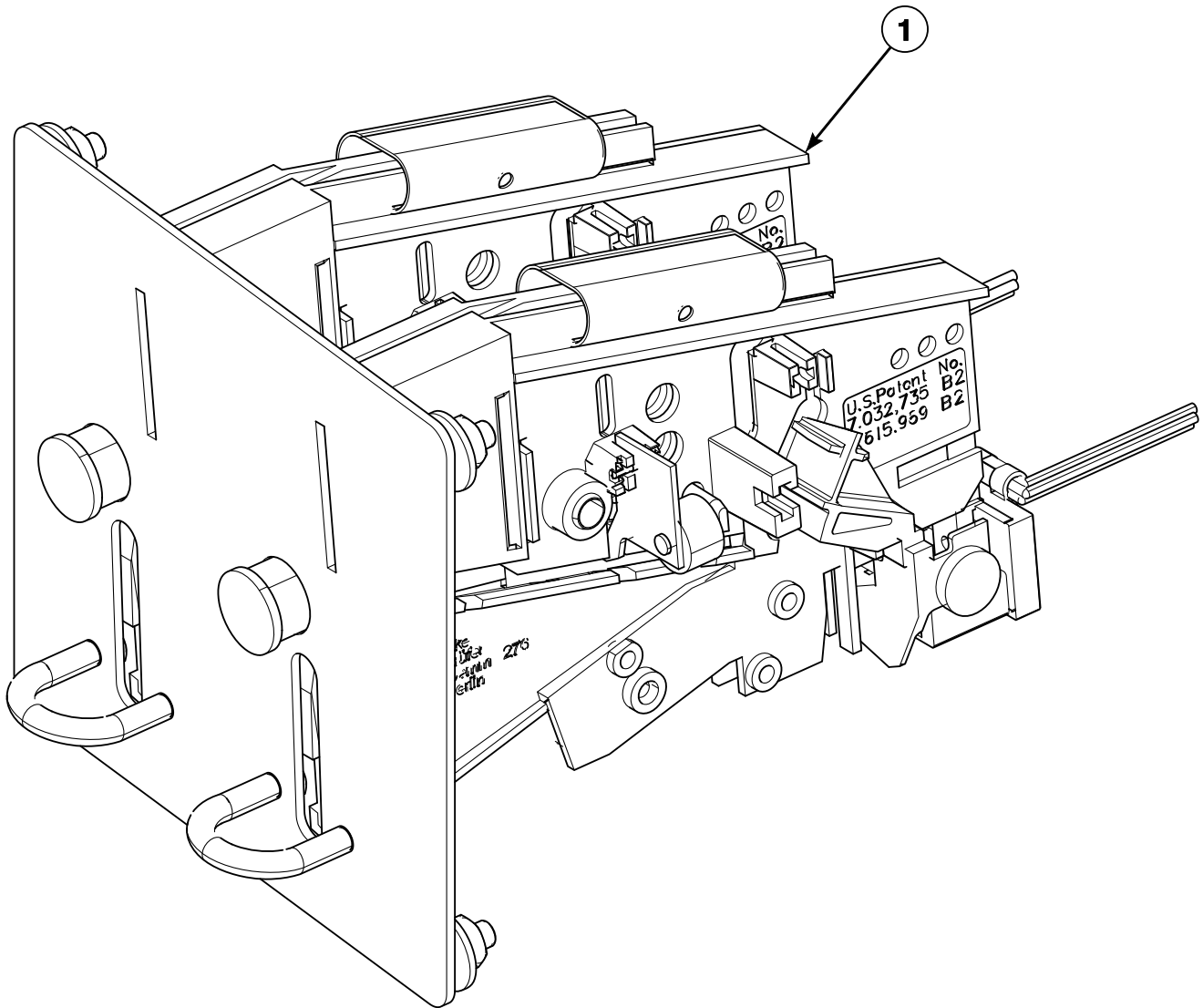
REF	PART NO.	DESCRIPTION	COMMENTS
1	575278	Coin Meter	0.25USD + 1USD
	575279	Coin Meter	0.25CAD + 1CAD
	575249	Coin Meter	0.25USD + 1USD; 0.25CAD + 1CAD + 2CAD; TK1 + TK2; Electronic EMPv7
	568002	Coin Meter	0.2GBP + 0.5GBP + 1GBP + 2GBP; 0.1EUR + 0.2EUR + 0.5EUR + 1EUR + 2EUR; TK1 + TK2; Electronic EMPv7
	575250	Coin Meter	1DKK + 2DKK + 5DKK + 10DKK + 20DKK; 1NOK + 5NOK + 10NOK + 20NOK; 0.2EUR + 0.5EUR + 1EUR + 2EUR; TK1 + TK2; Electronic EMPv7
	575251	Coin Meter	0.2AUD + 1AUD + 2AUD; 0.2NZD + 1NZD + 2NZD; 5HKD + 10HKD; 500KRW; TK1 + TK2; Electronic EMPv7
	575252	Coin Meter	1CNY; 0.1MYR + 0.2MYR + 0.5MYR; TK1 + TK2; Electronic EMPv7
	575253	Coin Meter	0.1EUR + 0.2EUR + 0.5EUR + 1EUR + 2EUR; TK1 + TK2; Electronic EMPv7
	575254	Coin Meter	1PHP + 5PHP + 10PHP; TK1 + TK2; Electronic EMPv7
	575255	Coin Meter	0.1SGD + 0.2SGD + 0.5SGD + 1SGD; TK1 + TK2; Electronic EMPv7
	575256	Coin Meter	0.1MYR + 0.2MYR + 0.5MYR (old/new); 0.5SGD + 1SGD (old/new); TK1 + TK2; Electronic EMPv7
	575257	Coin Meter	1HRK + 2HRK + 5HRK; TK1 + TK2; Electronic EMPv7
	575258	Coin Meter	5CZK + 10CZK + 20CZK + 50CZK; Token Primus 7K; TK1 + TK2; Electronic EMPv7
	575259	Coin Meter	0.5MAD + 1MAD + 2MAD + 5MAD + 10MAD; TK1 + TK2; Electronic EMPv7
	575260	Coin Meter	1PLN + 2PLN + 5PLN; 0.1EUR + 0.2EUR + 0.5EUR + 1EUR + 2EUR; 10ISK + 50ISK + 100ISK; TK1 + TK2; Electronic EMPv7
	575261	Coin Meter	0.1EUR + 0.2EUR + 0.5EUR + 1EUR + 2EUR; jeton IPSO 5K; TK1 + TK2; Electronic EMPv7
	575262	Coin Meter	0.2GBP + 0.5GBP + 1GBP + 2GBP; 0.1EUR + 0.2EUR + 0.5EUR + 1EUR + 2EUR; TK1: jeton Gettone; TK2: jeton "KLW Aqua"; Electronic EMPv7
	575263	Coin Meter	0.1EUR + 0.2EUR + 0.5EUR + 1EUR + 2EUR, jeton G-FIS "LAVOIR BIANCA" (20x1.8); TK1 + TK2; Electronic EMPv7
	575264	Coin Meter	0.5MYR; jeton "DOBI PAPA" (22.5x2); TK1 + TK2; Electronic EMPv7
	575265	Coin Meter	1AUD + 2AUD, jeton "No Cash Value" (28.6x1.58); TK1 + TK2; Electronic EMPv7
	575266	Coin Meter	0.5MYR; jeton "BUBBLELAB"; TK1 + TK2; Electronic EMPv7
	575267	Coin Meter	1ILS + 2ILS + 5ILS + 10ILS; TK1 + TK2; Electronic EMPv7
	575268	Coin Meter	1ZAR + 2ZAR + 5ZAR; TK1 + TK2; Electronic EMPv7
	575269	Coin Meter	5RUB + 10RUB; TK1 + TK2; Electronic EMPv7
	575270	Coin Meter	50CLP + 100CLP + 500CLP; TK1 + TK2; Electronic EMPv7
	575271	Coin Meter	100JPY + 500JPY; 10TWD + 50TWD; TK1 + TK2; Electronic EMPv7
	575272	Coin Meter	0.5GEL + 1GEL + 2GEL; TK1 + TK2; Electronic EMPv7
	575273	Coin Meter	0.1EUR + 0.2 EUR + 0.5EUR + 1EUR + 2EUR; Jeton 7K; TK1 + TK2; Electronic EMPv7
	575274	Coin Meter	20HUF + 50HUF + 100HUF + 200HUF; TK1 + TK2; Electronic EMPv7
	575275	Coin Meter	1THB + 2THB + 5THB + 10THB; TK1 + TK2; Electronic EMPv7
	572386	Coin Meter	0.2CHF + 0.5CHF + 1CHF + 2CHF; TK1 + TK2; Electronic EMPv7

Coin Meter - AF, IY and NY Models (Drawing 3 of 3)

Models with V in 7th Position or G, H, J or K in 13th Position

vsezip.ru

+7(812)987-08-81



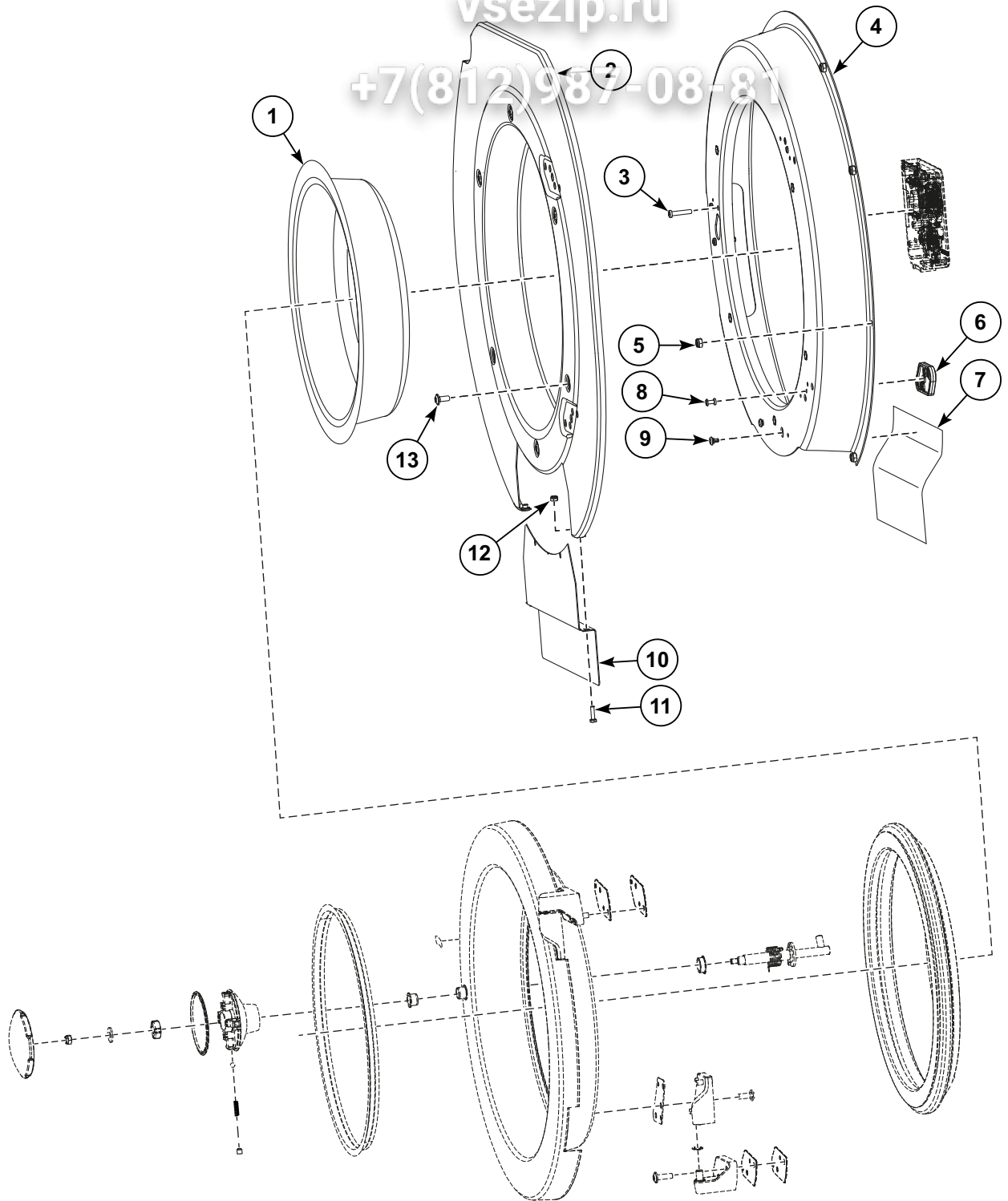
CZW233P_D2307

Coin Meter - AF, IY and NY Models (Drawing 3 of 3)

REF	PART NO.	DESCRIPTION	COMMENTS
1	575201	Coin Meter	5K PRIMUS jeton
	575202	Coin Meter	10K PRIMUS jeton
	575203	Coin Meter	STD 118-1 jeton
	575204	Coin Meter	7K PRIMUS jeton
	575205	Coin Meter	12K PRIMUS jeton
	575206	Coin Meter	15K PRIMUS jeton
	575207	Coin Meter	1AUD + 0.2AUD
	575208	Coin Meter	1POND + 20PC
	575209	Coin Meter	1POND + 50PC
	575210	Coin Meter	100YEN
	575211	Coin Meter	100YEN + 500YEN
	575212	Coin Meter	1AUD + 2AUD
	575213	Coin Meter	1AUD
	575214	Coin Meter	20 penny
	575215	Coin Meter	50 New Malaysian cent
	575216	Coin Meter	1 Singapore dollar
	579811	Coin Meter	1EAD; 1TK, 2TK Jeton; Electronic EMPv7
	575217	Coin Meter	2x50 Malaysian cent

Door (Drawing 1 of 3)

All Models; Models AF, FX, IY, J, NY, PY with V in 7th Position Starting 1 March 2021



CZW370P_D2307

Door (Drawing 1 of 3)

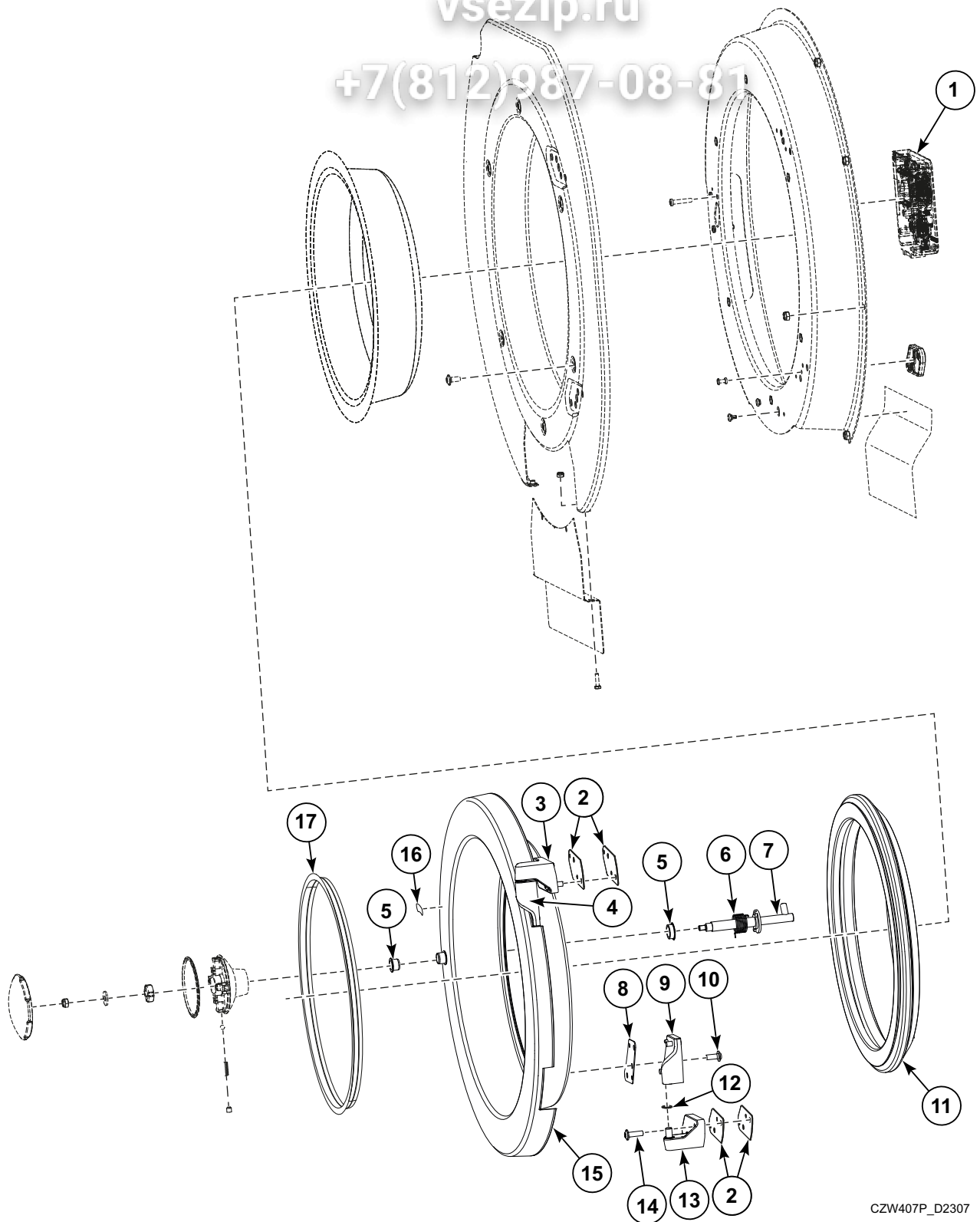
REF	PART NO.	DESCRIPTION	COMMENTS
	SP552454	Door Lock Wiring	CSA models; MC7
	SP552453	Door Lock Wiring	CE models; MC7
	569723	Door Lock Wiring	CE models; MC10
	SP537896	Adhesive	Reversible
	SP245704000603	Adhesive	Loctite 603; Used with SP537854 Bolt
	SP245704003021	Adhesive	Loctite 243
	SP556272	Door Assembly	HY, SY and UY models; Items 1-13 in <i>(Drawing 1 of 3)</i> , 1-17 in <i>(Drawing 2 of 3)</i> and 1-10 in <i>(Drawing 3 of 3)</i>
	537930	Door Assembly	FX, HX, M, PY and SW models; Items 1-13 in <i>(Drawing 1 of 3)</i> , 1-17 <i>(Drawing 2 of 3)</i> and 1-10 <i>(Drawing 3 of 3)</i>
	574099	Door Assembly	AF and NY models with "G", "H", "J" or "K" in 13th Position; Items 1-13 in <i>(Drawing 1 of 3)</i> , 1-17 in <i>(Drawing 2 of 3)</i> and 1-10 in <i>(Drawing 3 of 3)</i>
	537932	Door Assembly	AF, AF Non-Brand, L and NY models; Items 1-13 in <i>(Drawing 1 of 3)</i> , 1-17 in <i>(Drawing 2 of 3)</i> and 1-10 in <i>(Drawing 3 of 3)</i>
	563372	Door Assembly	IY models with "G", "H", "J" or "K" in 13th Position; Items 1-13 in <i>(Drawing 1 of 3)</i> , 1-17 in <i>(Drawing 2 of 3)</i> and 1-10 in <i>(Drawing 3 of 3)</i>
	556254	Door Assembly	IY models; Items 1-13 in <i>(Drawing 1 of 3)</i> , 1-17 in <i>(Drawing 2 of 3)</i> and 1-10 in <i>(Drawing 3 of 3)</i>
	SP559369	Door Assembly	KIS_PHOTO-ME; Items 1-13 in <i>(Drawing 1 of 3)</i> , 1-17 in <i>(Drawing 2 of 3)</i> and 1-10 in <i>(Drawing 3 of 3)</i>
	573186	Door Assembly	J models with V in 7th Position; Items 1-13 in <i>(Drawing 1 of 3)</i> , 1-17 in <i>(Drawing 2 of 3)</i> and 1-10 in <i>(Drawing 3 of 3)</i>
	562706	Door Assembly	J models; Items 1-13 in <i>(Drawing 1 of 3)</i> , 1-17 in <i>(Drawing 2 of 3)</i> and 1-10 in <i>(Drawing 3 of 3)</i>
	568989	Service Door Kit	Includes 569352 Door Seal, 568804 Shim, 560069 Shim, SPPRI722000004 Plastic Protection, SPPRI722000001 Plastic Protection and SP345000160971 Binding Strip
1	SP535439	Door Glass	AF, AF Non-Brand, FX, H, L, MWF, NY, PY, SW, SY and UY models
	SP556228	Door Glass	IY models
	573192	Door Glass	J models with V in 7th Position
	SP562703	Door Glass	J models
2	571723	Front Panel	Black
	571726	Front Panel	Stainless
	579115	Front Panel	KIS_PHOTO-ME; Stainless steel 316L
3	SP556137	Bolt	M5x25
4	SP537883	Door and Lock Holder	
5	SP310985000006	Nut	M6
6	SP537849	Hinge Spacer	
7	SP552972	Cover	
8	SP547779	Rivet	4x16.7
9	SP537856	Connector	
10	SP563275	Heating Element Front Cover	Black
	568987	Heating Element Front Cover	Stainless
	579089	Heating Element Front Cover	KIS_PHOTO-ME; Stainless steel 316L
11	SP309084000416	Bolt	M4x16
12	SP313251002104	Nut	M4
13	SP537854	Bolt	M6x14

Door (Drawing 2 of 3)

All Models; Models AF, FX, IY, J, NY, PY with V in 7th Position Starting 1 March 2021

vsezip.ru

+7(812)987-08-81



CZW407P_D2307

Door (Drawing 2 of 3)

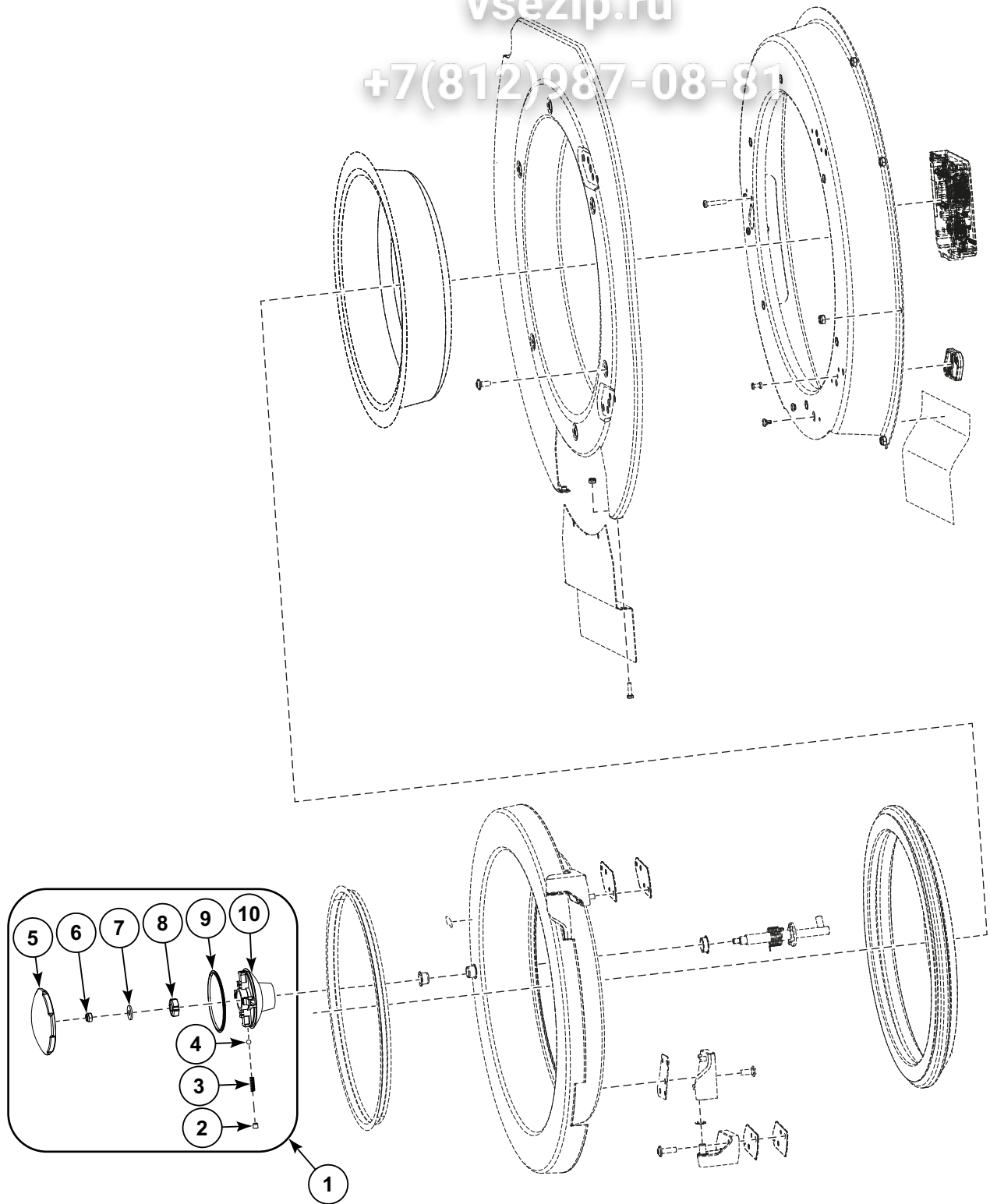
REF	PART NO.	DESCRIPTION	COMMENTS
	563260	Plasticine	Used with handle
	570554	Kit of Hinges	HY, SY and UY models; includes 568981, 568984, 575962, 575965 and 571642
	570553	Kit of Hinges	All other models; includes 568979, 568982, 575960, 575963 and 571642
1	SP537760	Lock	
2	568804	Shim	
3	568981	Fixed Upper Hinge	HY, SY and UY models; Used with 568804 Shim, not included
	568979	Fixed Upper Hinge	AF, AF Non-Brand, FX, HX, IY, J, LP, LY, MWF, NY, PY and SW models; Used with 568804 Shim, not included
4	575962	Upper Hinge	HY, SY and UY models; with Case
	575960	Upper Hinge	AF, AF Non-Brand, FX, HX, IY, J, LP, LY, MWF, NY, PY and SW models; with Case
5	SP529739	Casing	
6	SP535402	Handle Torsion Spring	
7	SP537933	Lock Pin	
8	SP535421	Hinge Spacer	
9	575965	Lower Hinge	HY, SY and UY models; KIS_PHOTO-ME; with Case
	575963	Lower Hinge	AF, AF Non-Brand, FX, HX, IY, J, LP, LY, MWF, NY, PY and SW models; with Case
10	SP537864	Bolt	M6x16
11	568989	Service Door Kit	
12	571642	Washer	
13	568984	Fixed Lower Hinge	HY, SY and UY models; KIS_PHOTO-ME; Used with 568804 Shim, not included
	568982	Fixed Lower Hinge	AF, AF Non-Brand, FX, HX, IY, J, LP, LY, MWF, NY, PY and SW models; Used with 568804 Shim, not included
14	SP535479	Bolt	M6x25
15	SP535443	Door	HY, SY and UY models; FX, HX, MWF, PY and SW models through Serial No. 240FX007291MB; KIS_PHOTO-ME; Chrome
	SP553527	Door	FX, HX, MWF, PY and SW models starting Serial No. 240FX007292MB; KIS_PHOTO-ME; Grey
	SP535445	Door	AF, AF Non-Brand, IY, J, LP, LY and NY models; Black
	568838	Door	AF, IY, J and NY models with "G", "H", "J" or "K" in 13th Position; Black
16	SP564831	Label	Door Lock; PYN models; Vended; CSA
17	SP562547	Rim	IY models with "G", "H", "J" or "K" in 13th Position
	573189	Rim	J models with V in 7th Position

Door (Drawing 3 of 3)

All Models; Models AF, FX, IY, J, NY, PY with V in 7th Position Starting 1 March 2021

vsezip.ru

+7(812)987-08-81



CZW372P_D2307

Door (Drawing 3 of 3)

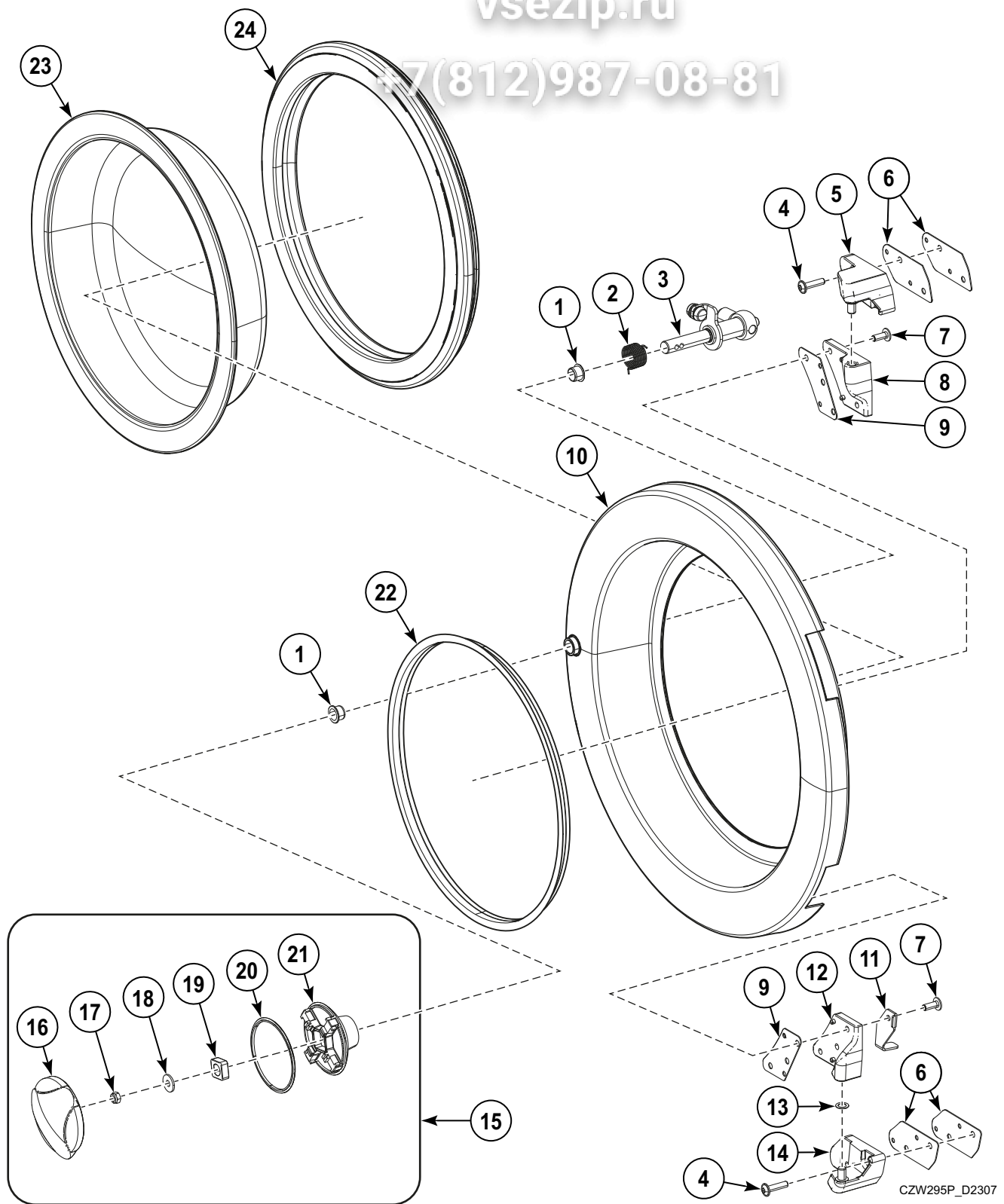
REF	PART NO.	DESCRIPTION	COMMENTS
1	SP556297	Handle	HY, SY and UY models
	SP552909	Handle	AF, AF Non-Brand, IY, LP, LY and NY models
	SP552908	Handle	FX, HX, MWF, PY and SW models
	562898	Handle	J models
	569335	Handle	KIS_PHOTO-ME
	571788	Handle	AF, IY and NY models with "G", "H", "J" or "K" in 13th Position
2	SP553524	Bolt	M6x6
3	SP535406	Compression Spring	
4	SP535407	Handle Ball	
5	SP556278	Holder Cover	HY, SY and UY models
	SP535438	Holder Cover	AF, AF Non-Brand, IY, J, LP, LY and NY models
	SP535430	Holder Cover	FX, HX, MWF, PY and SW models
	569331	Holder Cover	KIS_PHOTO-ME
6	SP310985000006	Nut	M6
7	SP311902100006	Washer	M6
8	SP529710	Locating Segment	
9	SP535411	Distinguishing Ring	FX, HX, HY, J, MWF, PY, SW, SY and UY models; Blue
	SP535437	Distinguishing Ring	AF, AF Non-Brand, IY, LP, LY and NY models; KIS_PHOTO-ME; Red
	571733	Distinguishing Ring	AF, IY and NY models with "G", "H", "J" or "K" in 13th Position
10	SP535429	Handle Lower Part	

Door - AF, IY, JY and NY Models

AF, IY, JY and NY models with V in 7th Position Through 28 February 2021

vsezip.ru

7(812)987-08-81



Door - AF, IY, JY and NY Models

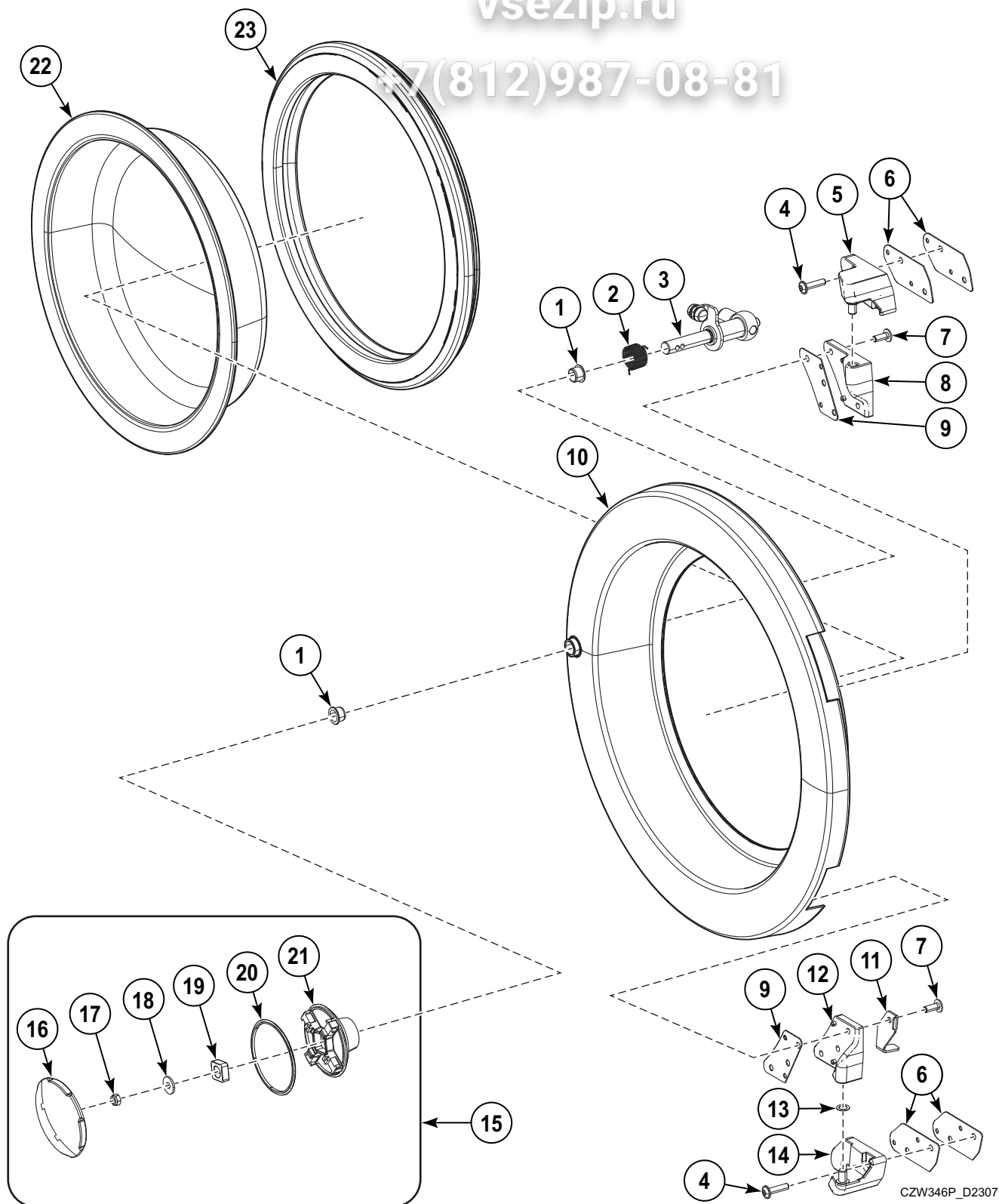
REF	PART NO.	DESCRIPTION	COMMENTS
	571768	Door Assembly	IY models; Black; Includes items 1-24; Through Serial No. 240FX009978SF
	563372	Door Assembly	IY models; Black; Includes items 1-24; Starting Serial No. 240FX00979SF
	574099	Door Assembly	AF and NY models; Black; Includes items 1-24
	573186	Door Assembly	JY models; Black; Includes items 1-24
	570553	Kit of Hinges	Includes 568979, 568982, 575960, 57963 and 571642
1	SP529739	Casing	
2	SP535402	Handle Torsion Spring	
3	571762	Door Level	
4	SP535479	Bolt	M6x25
5	568979	Fixed Upper Hinge	
6	568804	Shim	
7	SP537864	Bolt	M6x16
8	571650	Upper Hinge	
9	SP535421	Hinge Spacer	
10	568838	Door	Black
11	571636	Door Frame Sheet	
12	571651	Lower Hinge	
13	571642	Washer	
14	568982	Fixed Hinge	Lower
15	571781	Handle	
16	SP535438	Holder Cover	
17	SP310985000006	Nut	M6
18	SP311902100006	Washer	M6
19	571773	Locating Segment	
20	571733	Distinguishing Ring	
21	571779	Handle Lower Part	
22	SP562547	Rim	
	573189	Rim	JY models
23	SP556228	Door Glass	IY models; With logo
	573192	Door Glass	JY models
	535439	Door Glass	AF and NY models
24	568989	Service Door Kit	

Door - FX and PY Models

FX and PY models with V in 7th Position Through 28 February 2021

vsezip.ru

+7(812)987-08-81

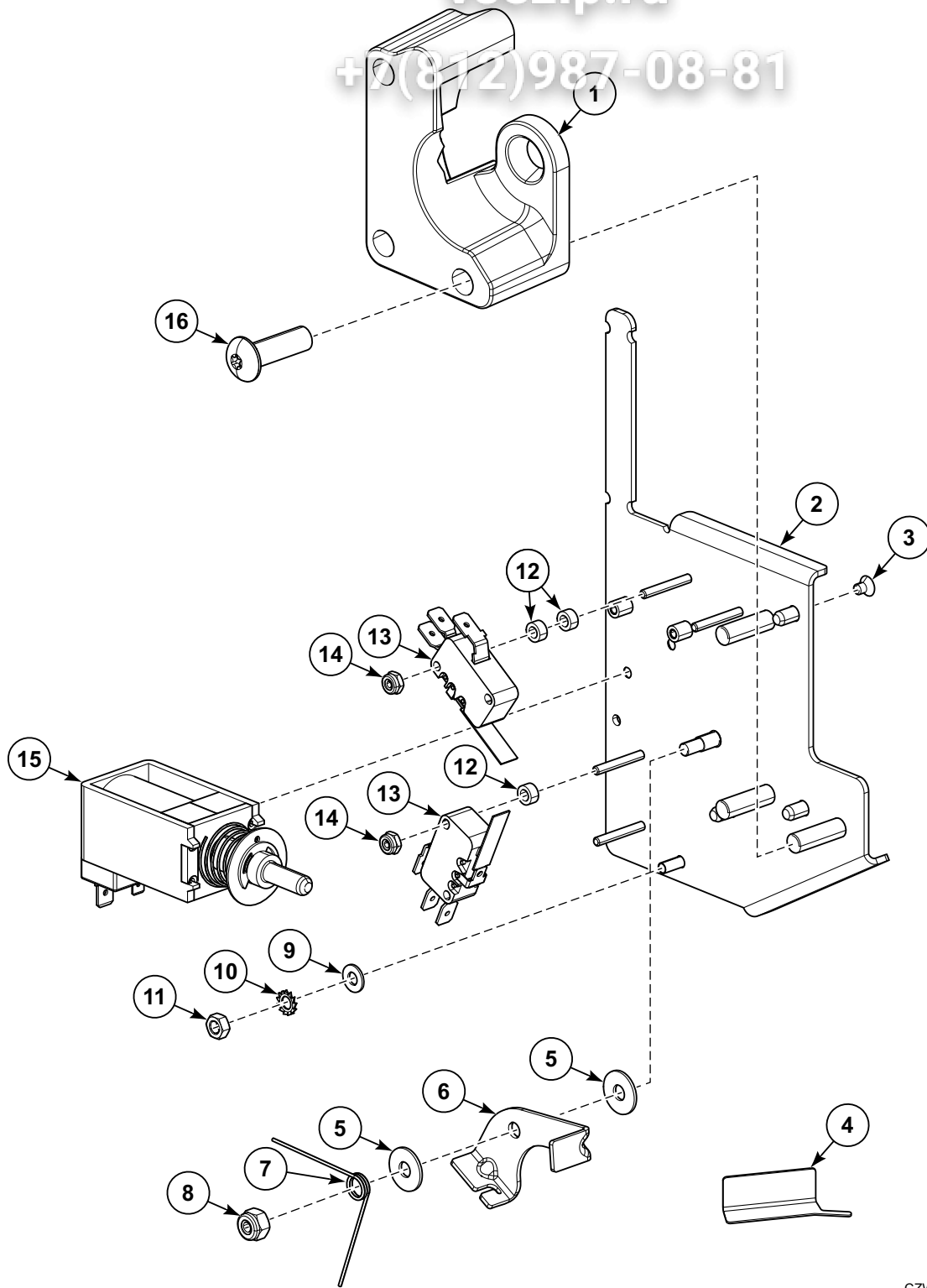


Door - FX and PY Models

REF	PART NO.	DESCRIPTION	COMMENTS
	571765	Door Assembly	Gray; Includes items 1-23; Through Serial No. 240FX009978SF
	537930	Door Assembly	Gray; Includes items 1-23; Starting Serial No. 240FX0099793F
1	SP529739	Casing	
2	SP535402	Handle Torsion Spring	
3	571762	Door Level	
4	SP535479	Bolt	M6x25
5	568979	Fixed Upper Hinge	
6	568804	Shim	
7	SP537864	Bolt	M6x16
8	571650	Upper Hinge	
9	SP535421	Hinge Spacer	
10	SP553527	Door	
11	571636	Door Frame Sheet	
12	571651	Lower Hinge	
13	571642	Washer	
14	568982	Fixed Hinge	Lower
15	571780	Handle	
16	SP535430	Holder Cover	
17	SP310985000006	Nut	M6
18	SP311902100006	Washer	M6
19	571773	Locating Segment	
20	SP535411	Distinguishing Ring	
21	571779	Handle Lower Part	
22	SP535439	Door Glass	
23	568989	Service Door Kit	

Door Lock - Models with Serial No Through 240FX009978SF

Models with V in 7th Position



CZW347P_D2307

Door Lock - Models with Serial No. Through 240FX009978SF

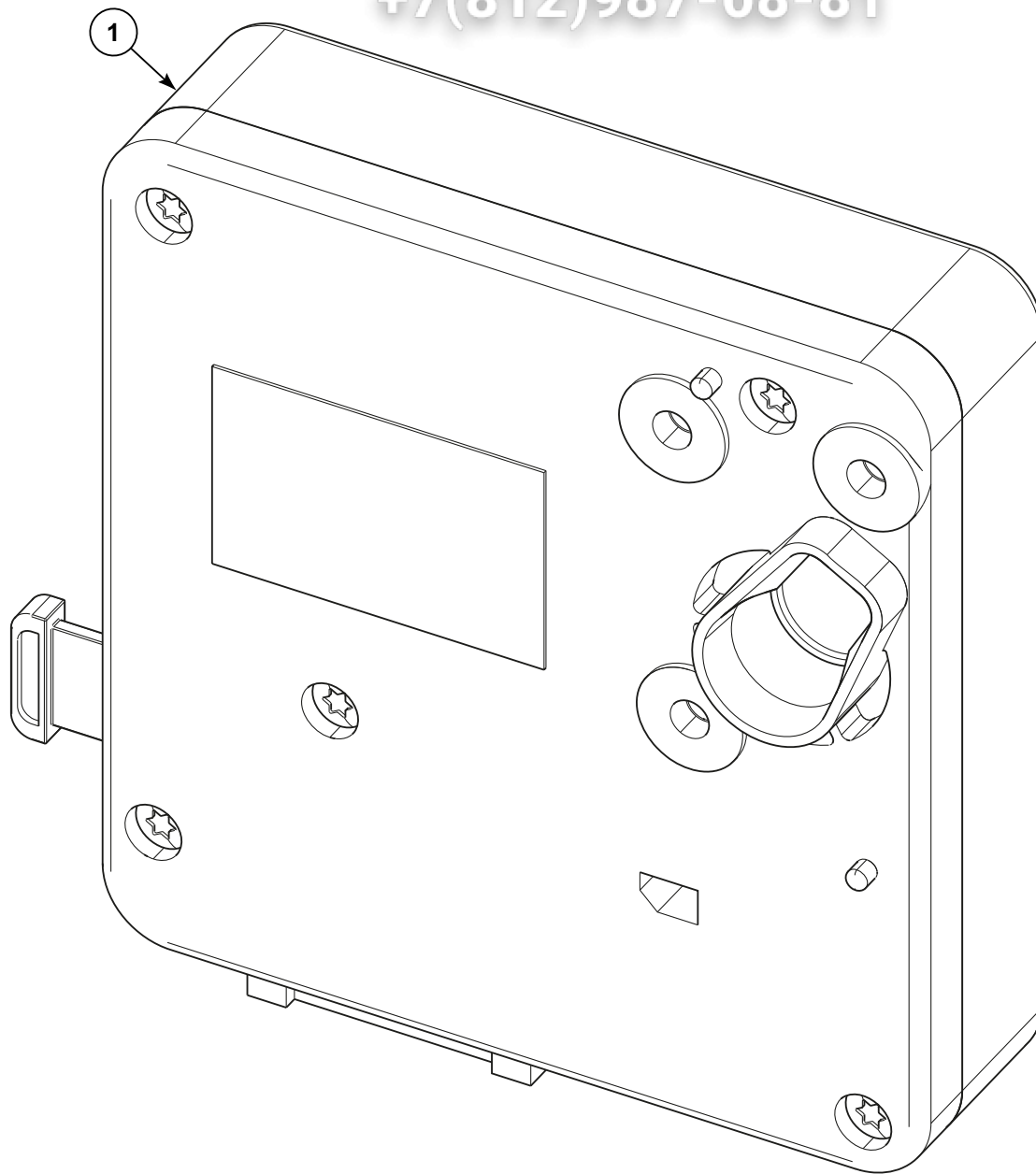
REF	PART NO.	DESCRIPTION	COMMENTS
	576085	Door Lock Assembly	Includes item 1-16, 569751 Door Lock Cable, SP345000160996 Binding Strip, 571466 Door Lock Switch Cable
1	576084	Door Lock Catch	
2	568971	Door Lock Plate	
3	F430977	Screw	
4	571615	Emergency Opener	For door lock
5	F8193101	Washer	
6	568941	Closing Plate	
7	571612	Torsion/Door Lock Spring	
8	F430232	Nut	
9	SP311125240004	Washer	4
10	SP311679824004	Washer	4
11	SP310934240004	Nut	M4
12	F431901	Spacer	
13	568978	Microswitch	
14	F430225	Nut	
15	568942	Coil	
16	F8270701	Bolt	Stainless
	568968	Bolt	Black

Door Lock - Models with Serial No. Starting 240FX009979SF

Models with V in 7th Position

vsezip.ru

+7(812)987-08-81



CZW360P_D2307

Door Lock - Models with Serial No. Starting 240FX009979SF

REF	PART NO.	DESCRIPTION	COMMENTS
	SP537760	Lock	

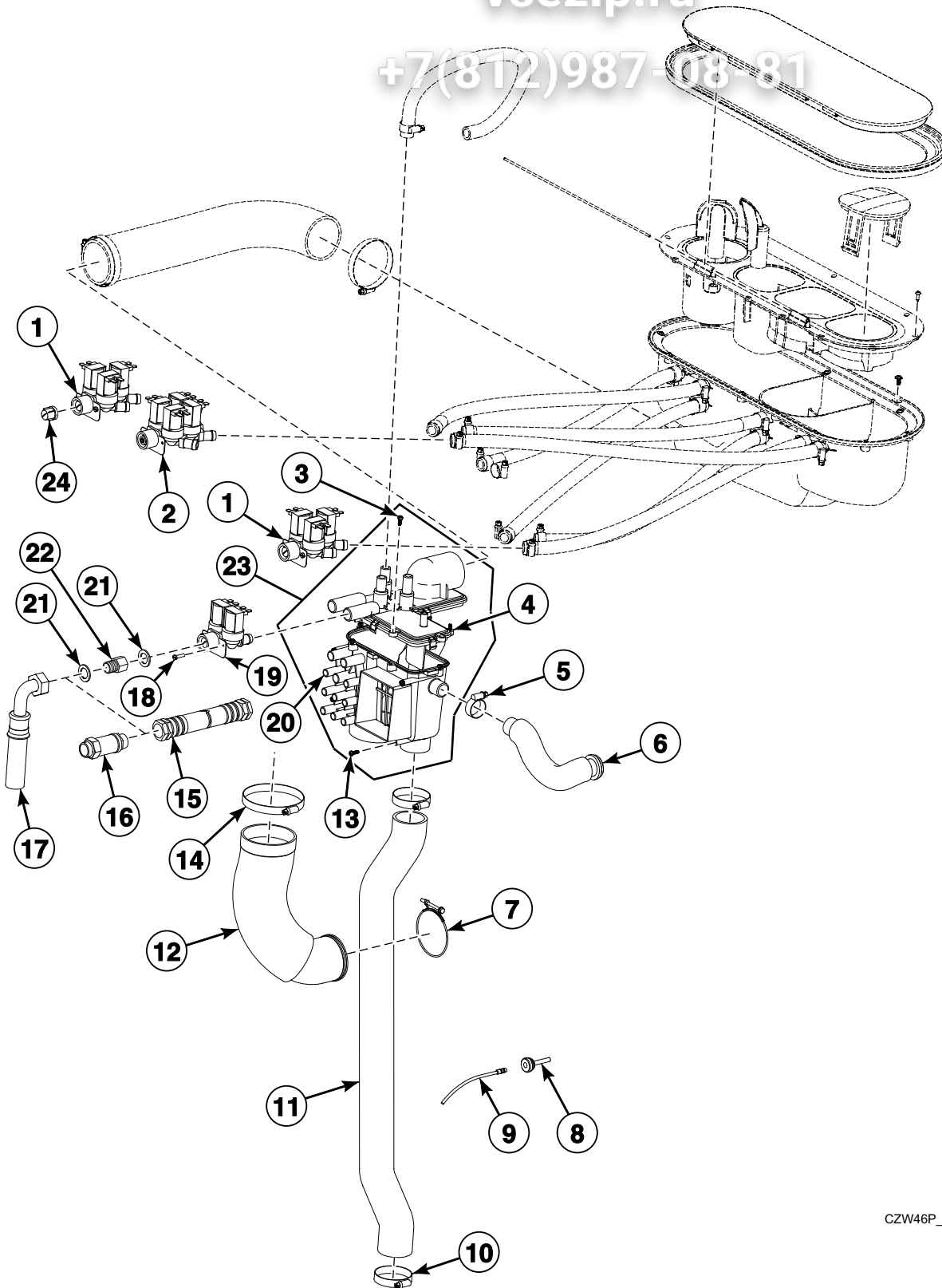
+7(812)987-08-81

Water Inlet System (Drawing 1 of 2)

Except Models with V in 7th Position

vsezip.ru

+7(812)987-08-81



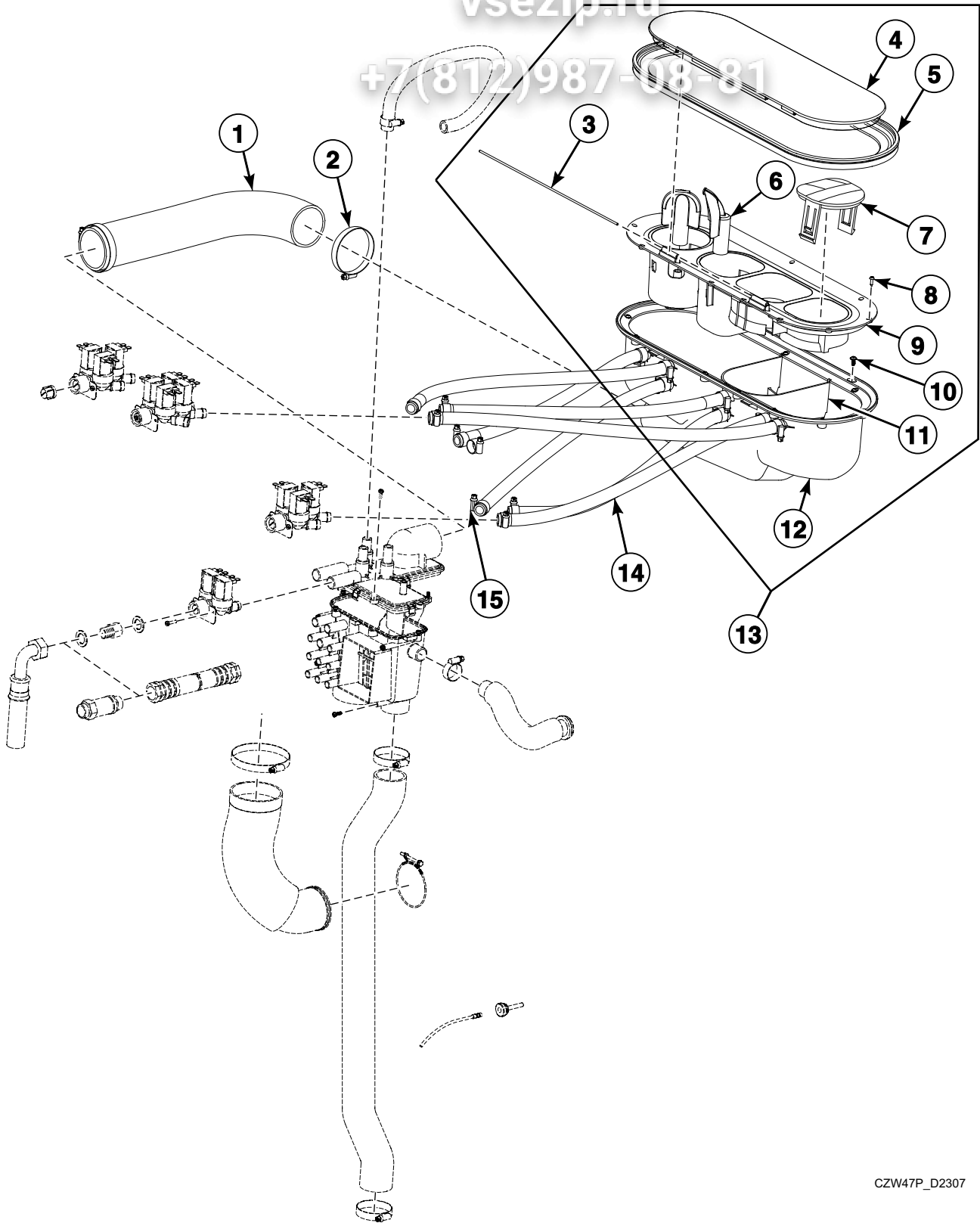
CZW46P_D2307

Water Inlet System (Drawing 1 of 2)

REF	PART NO.	DESCRIPTION	COMMENTS
	SPPRI704000053	Sealant	Used with SP540115 Main Vessel
	F8301201	Double Check Valve	J models; Used with SPPRI426001217 Pipe Nipple 3/4 inch; CE
	573621	1-Way Valve	K/S_PHOTO-ME without Flow Regulator
1	SP547959	3-Way Valve	3/4 inch
2	SP548933	4-Way Valve	3/4 inch
3	SP526497	Screw	M4x12
4	SP526557	Mixer Lid	
5	SPPRI240000003	Hose Clamp	20-32
6	SP526510	Vent Hose	
7	SP526491	Hose Clamp	62-70
8	SP526439	Temperature Sensor Seal	
9	503839	Temperature Sensor	
10	SPPRI240000017	Hose Clamp	40-60
11	SP547897	Overflow Tube	
12	SP526506	Filling Elbow Pipe	
13	SP526497	Screw	4x12
14	SPPRI240000007	Hose Clamp	70-90
15	RSPF200166	Filling Hose Pipe	IYY, LYY, NYY, PYY, SY and UYY models
16	RSPB12543901	Double Reverse Valve	IYY, LYY, NYY, PYY, SY and UYY models
17	SPPRI505000054	Filling Hose Pipe	Used with cold water
	SP547980	Filling Hose Pipe	Used with hot water
	SP101621	Filling Hose Pipe	Valid for water approval
	F200164	Water Hose	PYN models; CSA
18	SP309084000416	Bolt	4x16
19	SP547958	2-Way Valve	3/4 inch
20	SP526565	Mixer Body	
21	SPPRI520001009	Seal	
22	567174	Reduction	HYN, IYN, PYN, SYN and UYN models; 3/4 inch; BSP/GHT; CSA
23	SP526558	Mixer	
24	SPPRI340004030	Filter	

Water Inlet System (Drawing 2 of 2)

Except Models with V in 7th Position



CZW47P_D2307

Water Inlet System (Drawing 2 of 2)

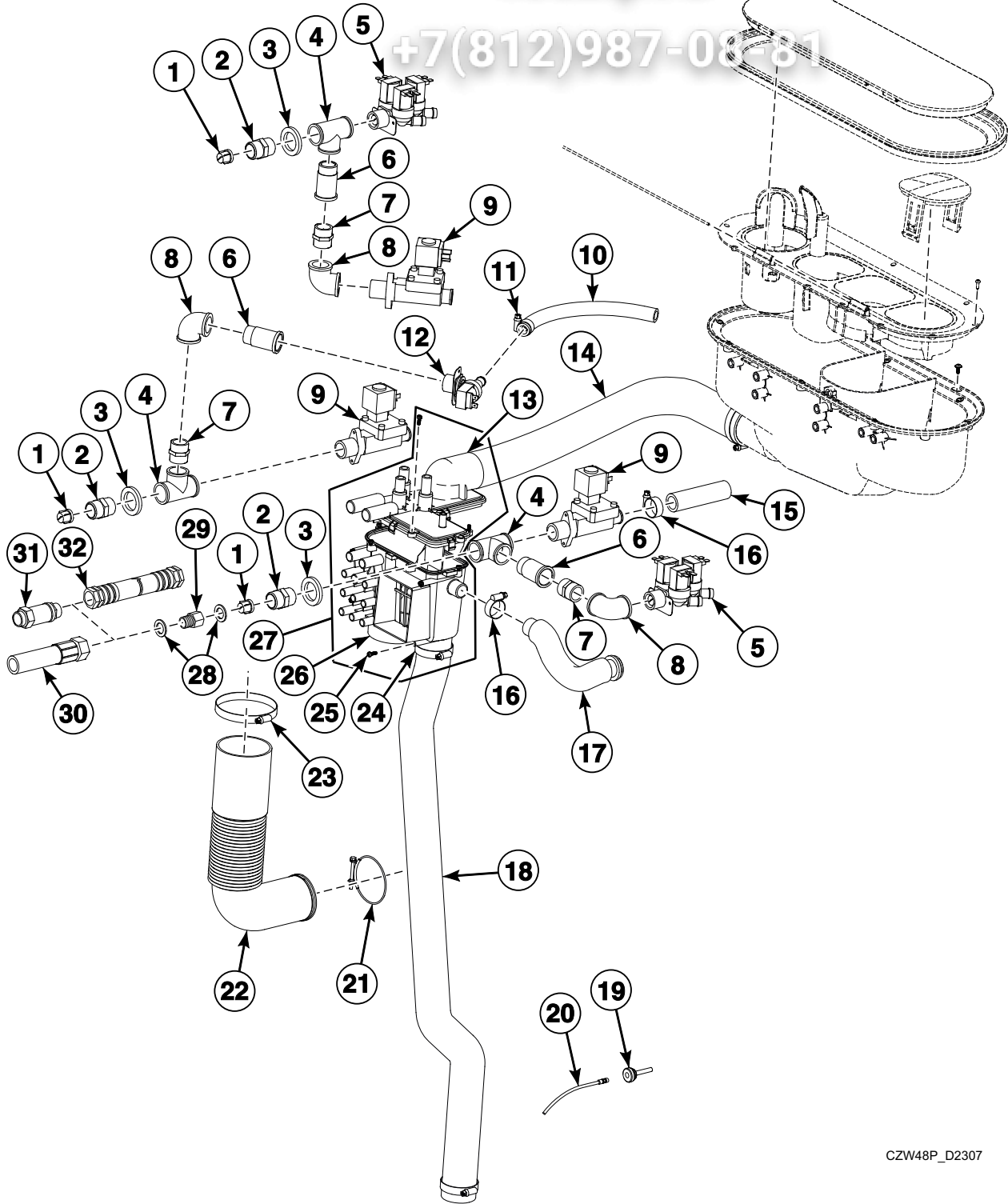
REF	PART NO.	DESCRIPTION	COMMENTS
1	SP526490	Dispenser Pipe	
2	SPPRI240000021	Hose Clamp	60-80
3	SP540117	Pin	
4	SP551695	Dispenser Lid	HY, SY and UY models; Photomaton
	SP526461	Dispenser Lid	AF, AF Non-Brand, FX, HX, IY, J, LP, LY, MWF, NY, PY and SW models
5	SP540158	Dispenser Seal	
6	SP540113	Flap	
7	SP526468	Soap Hopper Plug	
8	SP309798124313	Screw	ST3.5x13
9	SP540112	Soap Hopper Upper Cover	
10	SP529206	Screw	4x11
11	SP540116	Internal Vessel	
12	SP540115	Main Vessel	
13	SP554214	Soap Hopper	HY, SY and UY models; Photomaton
	SP540164	Soap Hopper	AF, AF Non-Brand, FX, HX, IY, J, LP, LY, MWF, NY, PY and SW models
14	SPPRI540000014	Hose	13/19
	SP101745	Hose Pipe	Valid for water approval
15	SPPRI240000002	Hose Clamp	12-22

Water Inlet System - Optional (Drawing 1 of 2)

Except Models with V in 7th Position

vsezip.ru

+7(812)987-08-81



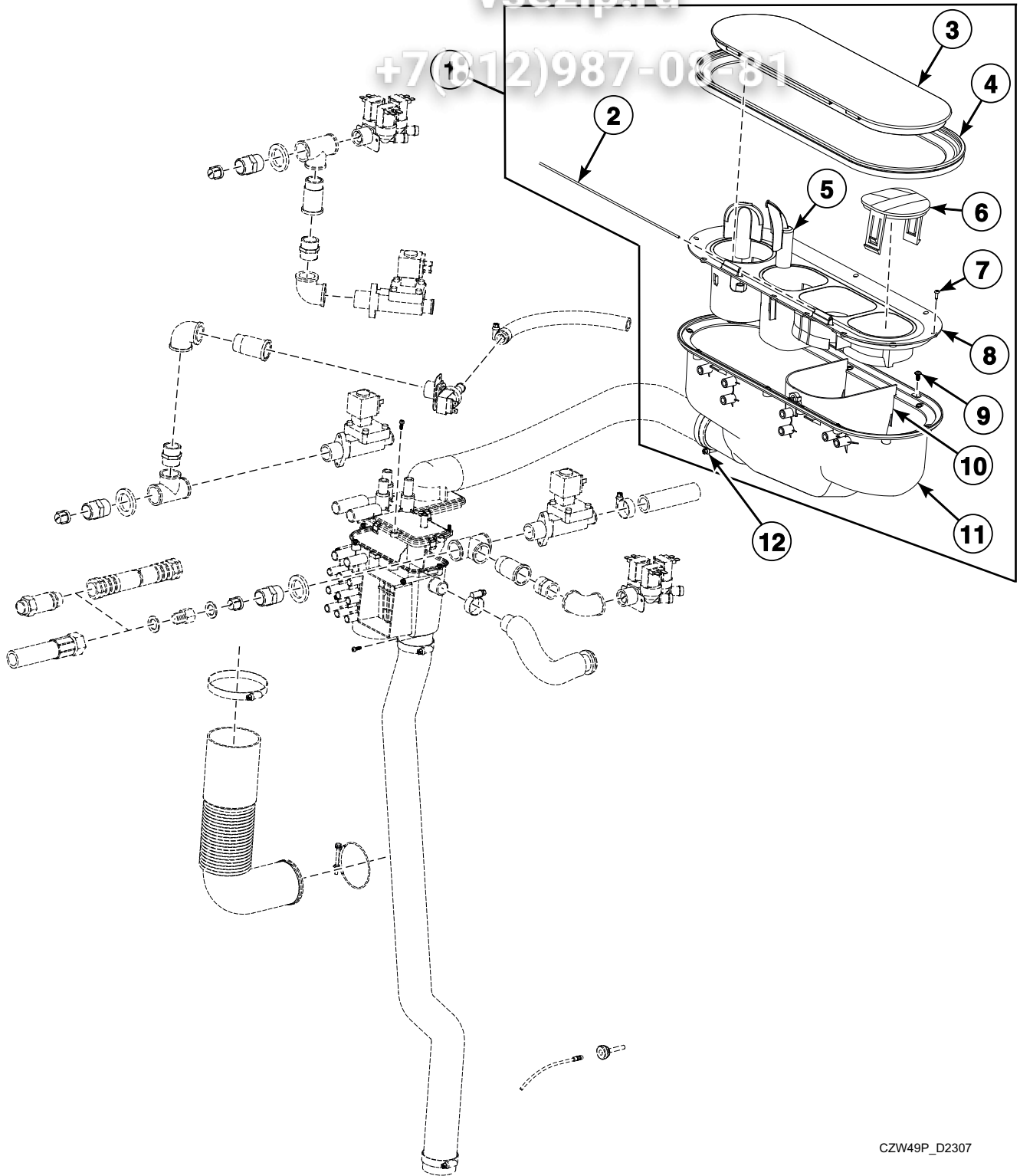
CZW48P_D2307

Water Inlet System - Optional (Drawing 1 of 2)

REF	PART NO.	DESCRIPTION	COMMENTS
	F8301201	Double Check Valve	J models; Used with SPPRI426001217 Pipe Nipple 3/4 inch; CE
	573621	1-Way Valve	KIS_PHOTO-ME; without Flow Regulator
1	SPPRI340004030	Filter	
2	SP510120	Pipe Nipple	3/4 inch
3	SPPRI231000062	Washer	28x42x5
4	SPPRI426001107	Tee	3/4 inch
5	SP547959	3-Way Valve	3/4 inch
6	SPPRI426003217	Extension	3/4 inch x 40
7	SPPRI426001217	Pipe Nipple	3/4 inch
8	SPPRI426002072	Elbow	3/4 inch
9	SP567064	1-Way Valve	3/4 inch; Uses SP525821 Valve Repair Kit
10	SPPRI540000014	Hose	13/19
11	SPPRI240000002	Hose Clamp	12-22
12	SP554211	1-Way Valve	3/4 inch
13	SP526557	Mixer Lid	
14	SP526490	Dispenser Pipe	
15	SPPRI540001019	Hose	
16	SPPRI240000003	Hose Clamp	20-32
17	SP526510	Vent Hose	
18	SP547897	Overflow Tube	
19	SP526439	Temperature Sensor Seal	
20	503839	Temperature Sensor	
21	SP526491	Hose Clamp	62-70
22	SP526506	Filling Elbow Pipe	
23	SPPRI240000007	Hose Clamp	70-90
24	SPPRI240000017	Hose Clamp	40-60
25	SP526497	Screw	4x12
26	SP526565	Mixer Body	
27	SP526558	Mixer	
28	SPPRI520001009	Seal	
29	567174	Reduction	HYN, IYN, PYN, SYN and UYN models; 3/4 inch; BSP/GHT; CSA
30	SP533036	Filling Hose Pipe	
	F200164	Water Hose	PYN models; CSA
	SP101621	Filling Hose Pipe	Valid for water approval
31	RSPB12543901	Double Reverse Valve	IYY, LYY, NYY, PYY, SYY and UYY models
32	RSPF200166	Filling Hose Pipe	IYY, LYY, NYY, PYY, SYY and UYY models

Water Inlet System - Optional (Drawing 2 of 2)

Except Models with V in 7th Position



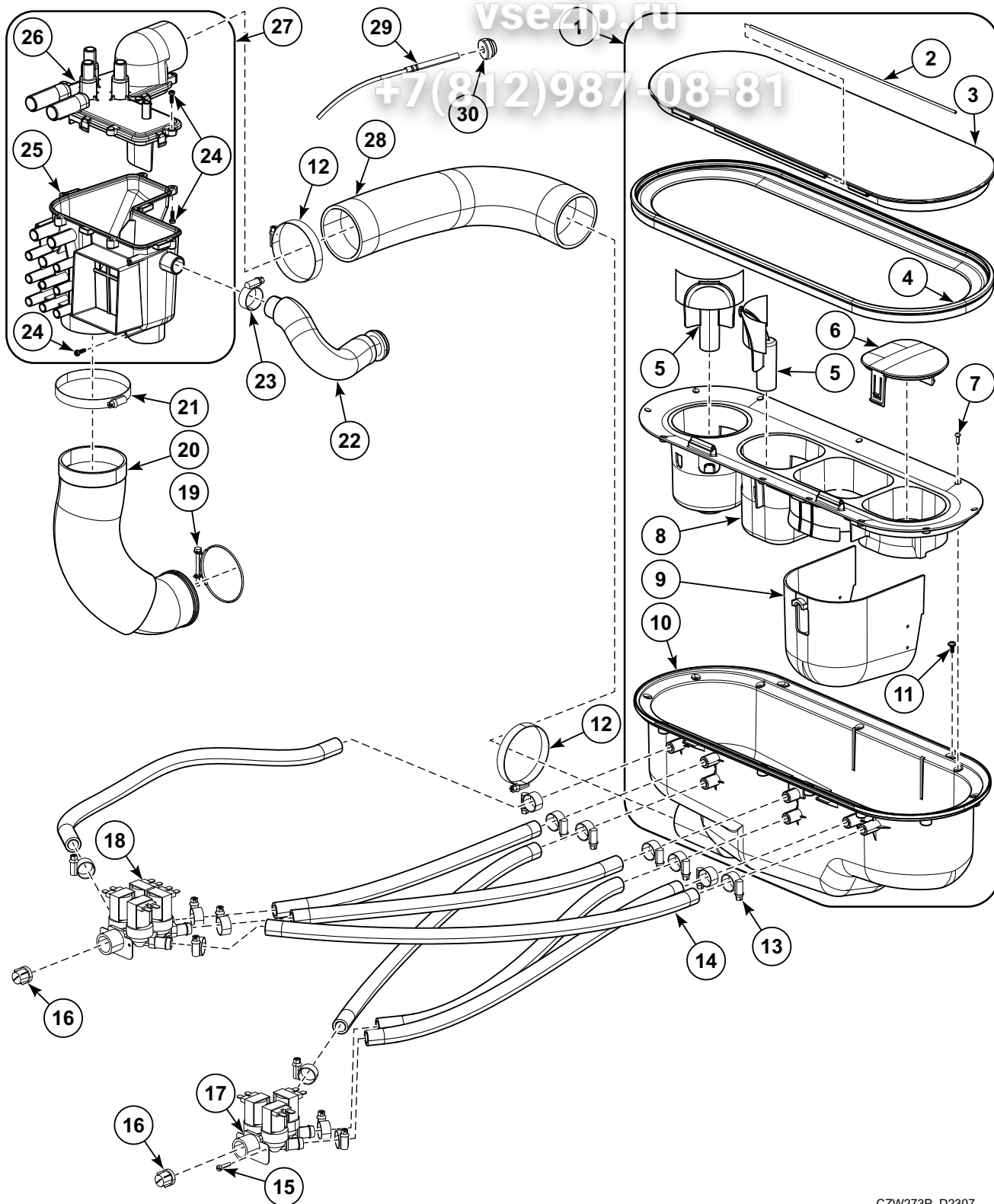
CZW49P_D2307

Water Inlet System - Optional (Drawing 2 of 2)

REF	PART NO.	DESCRIPTION	COMMENTS
1	SP554214	Soap Hopper	HY, SY and UY models
	SP540164	Soap Hopper	AF, AF Non-Brand, FX, HX, IY, J, LP, LY, MWF, NY, PY and SW models
2	SP540117	Pin	
3	SP551695	Dispenser Lid	HY, SY and UY models
	SP526461	Dispenser Lid	AF, AF Non-Brand, FX, HX, IY, J, LP, LY, MWF, NY, PY and SW models
4	SP540158	Dispenser Seal	
5	SP540113	Flap	
6	SP526468	Soap Hopper Plug	
7	SP309798124313	Screw	ST3.5x13
8	SP540112	Soap Hopper Upper Cover	
9	SP529206	Screw	4x11
10	SP540116	Internal Vessel	Big
11	SP540115	Main Vessel	Requires SPPRI704000053 Silicon Sealant
12	SPPRI240000021	Hose Clamp	60-80

Two Water Inlet System

Models with V in 7th Position



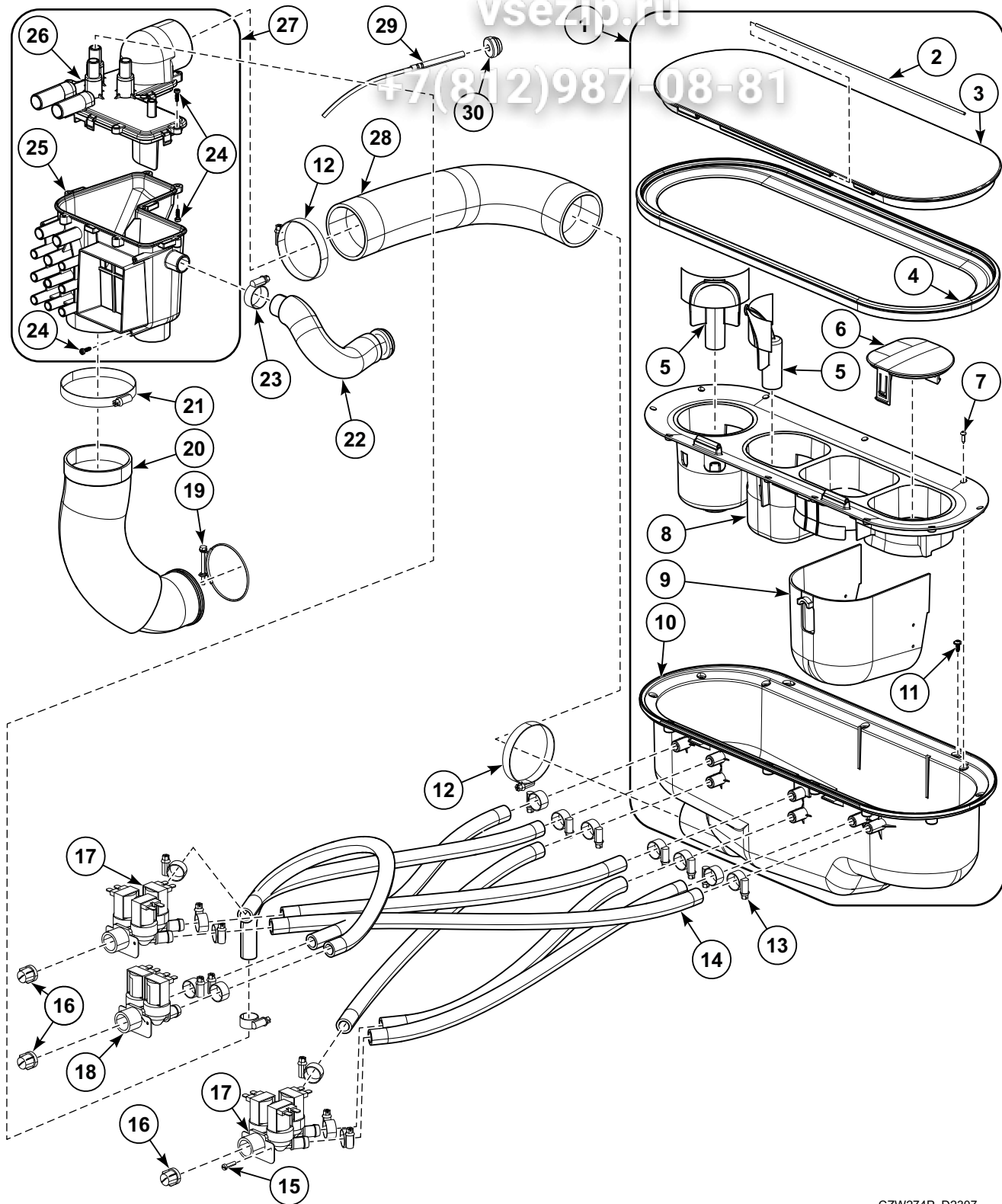
CZW273P_D2307

Two Water Inlet System

REF	PART NO.	DESCRIPTION	COMMENTS
	SPPRI505000054	Filling Hose Pipe	Used with cold water; used with SPPRI520001009 Seal
	SP547980	Filling Hose Pipe	Used with hot water; used with SPPRI520001009 Seal
	SP101621	Filling Hose Pipe	Used with water approval WRAS; used with SPPRI520001009 Seal
1	SP540164	Soap Hopper Assembly	CE models
2	SP540117	Pin	
3	SP526461	Dispenser Lid	CE models
4	SP540158	Dispenser Seal	
5	SP540113	Flap	
6	SP526468	Soap Hopper Plug	
7	SP309798124313	Screw	ST3.5x13
8	SP540112	Soap Hopper Upper Cover	
9	SP540116	Internal Vessel	
10	SP540115	Main Vessel	
11	SP529206	Screw	
12	SPPRI240000021	Hose Clamp	60-80
13	SPPRI240000002	Hose Clamp	12-22
14	SPPRI540000014	Hose	13-19
	SP101745	Hose Pipe	Used with water approval WRAS
15	SP309084000416	Bolt	M4x16
16	SPPRI340004030	Filter	
17	SP547959	3-Way Valve	3/4 inch
18	SP548933	4-Way Valve	3/4 inch
19	SP526491	Hose Clamp	62-70
20	SP526506	Filling Elbow Pipe	
21	SPPRI240000007	Hose Clamp	70-90
22	SP526510	Vent Hose	
23	SPPRI240000003	Hose Clamp	
24	SP526497	Screw	4x12
25	SP526565	Mixer Body	
26	SP526557	Mixer Lid	
27	SP526558	Mixer	
28	SP526490	Dispenser Pipe	
29	503839	Temperature Sensor	
30	SP526439	Temperature Sensor Seal	

Three Water Inlet System

Models with V in 7th Position



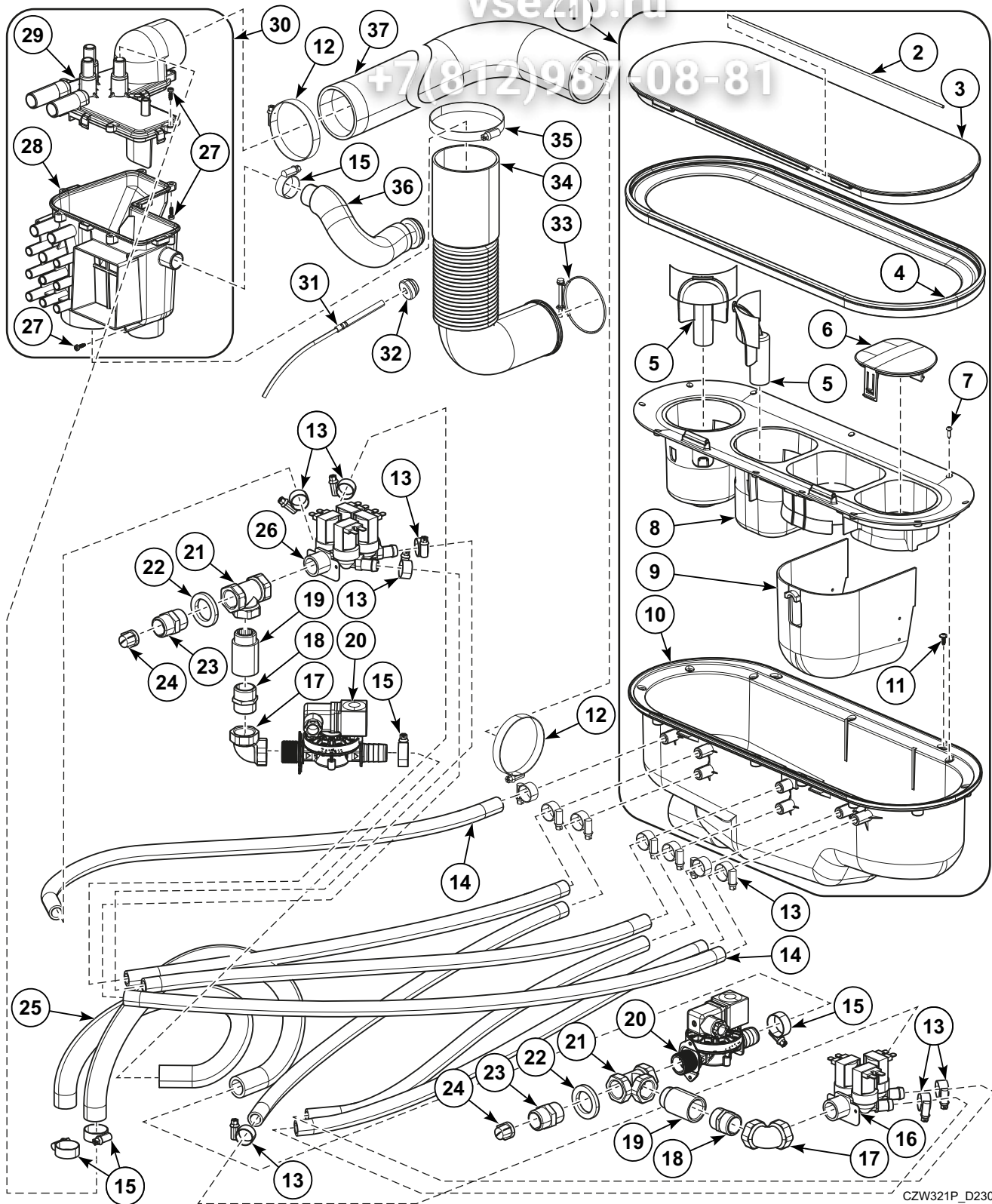
CZW274P_D2307

Three Water Inlet System

REF	PART NO.	DESCRIPTION	COMMENTS
	SPPRI505000054	Filling Hose Pipe	Used with cold water; used with SPPRI520001009 Seal
	SP547980	Filling Hose Pipe	Used with hot water; used with SPPRI520001009 Seal
	SP101621	Filling Hose Pipe	Used with water approval WRAS; used with SPPRI520001009 Seal
1	SP540164	Soap Hopper Assembly	CE models
2	SP540117	Pin	
3	SP526461	Dispenser Lid	CE models
4	SP540158	Dispenser Seal	
5	SP540113	Flap	
6	SP526468	Soap Hopper Plug	
7	SP309798124313	Screw	ST3.5x13
8	SP540112	Soap Hopper Upper Cover	
9	SP540116	Internal Vessel	
10	SP540115	Main Vessel	
11	SP529206	Screw	
12	SPPRI240000021	Hose Clamp	60-80
13	SPPRI240000002	Hose Clamp	12-22
14	SPPRI540000014	Hose	13-19
	SP101745	Hose Pipe	Used with water approval WRAS
15	SP309084000416	Bolt	M4x16
16	SPPRI340004030	Filter	
17	SP547959	3-Way Valve	3/4 inch
18	SP547958	2-Way Valve	3/4 inch
19	SP526491	Hose Clamp	62-70
20	SP526506	Filling Elbow Pipe	
21	SPPRI240000007	Hose Clamp	70-90
22	SP526510	Vent Hose	
23	SPPRI240000003	Hose Clamp	
24	SP526497	Screw	4x12
25	SP526565	Mixer Body	
26	SP526557	Mixer Lid	
27	SP526558	Mixer	
28	SP526490	Dispenser Pipe	
29	503839	Temperature Sensor	
30	SP526439	Temperature Sensor Seal	

Two Water Inlet System - Optional

Models with V in 7th Position



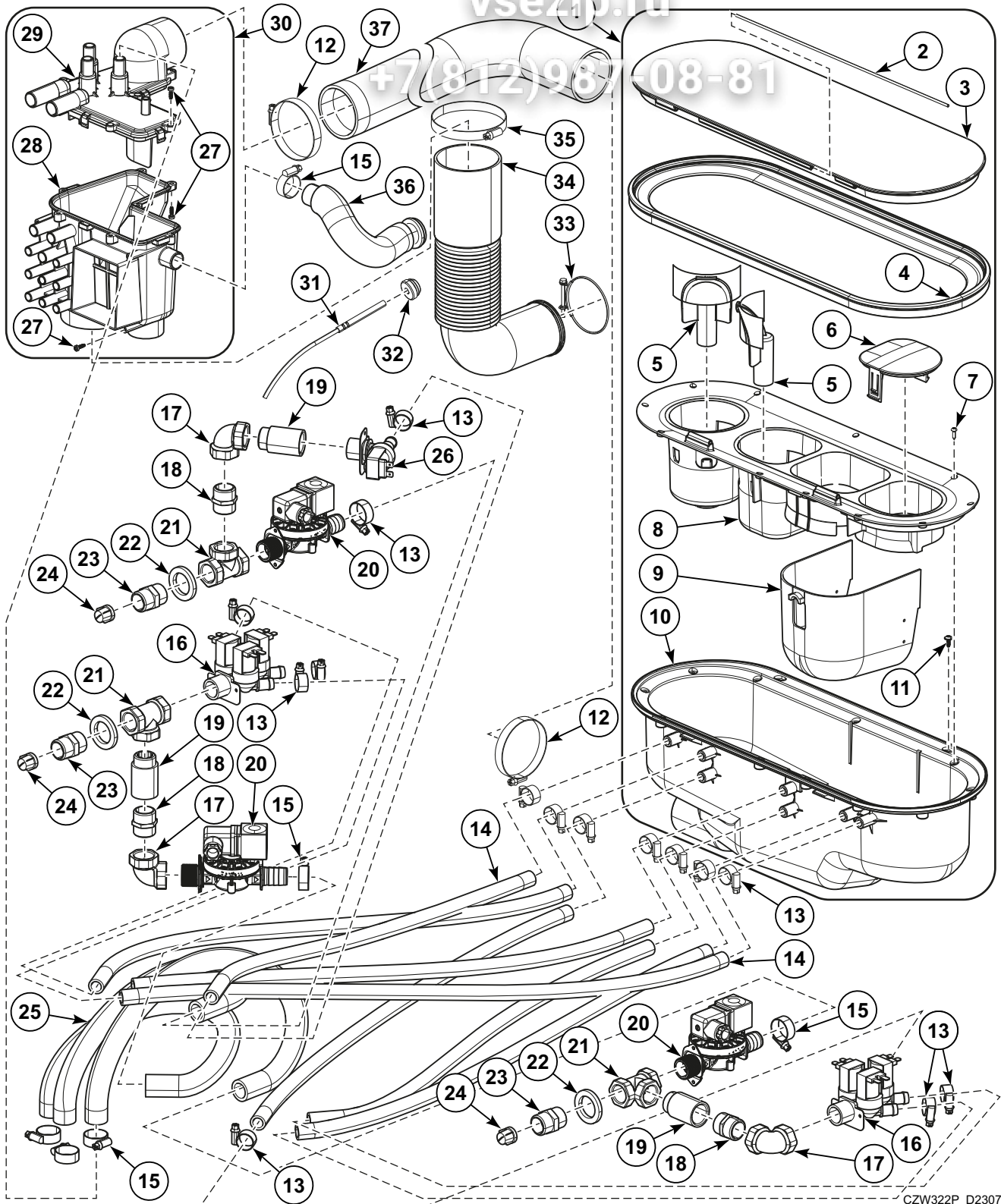
CZW321P_D2307

Two Water Inlet System - Optional

REF	PART NO.	DESCRIPTION	COMMENTS
	SPPRI505000054	Filling Hose Pipe	Used with cold water; used with SPPRI520001009 Seal
	SP547980	Filling Hose Pipe	Used with hot water; used with SPPRI520001009 Seal
	SP101621	Filling Hose Pipe	Used with water approval WRAS; used with SPPRI520001009 Seal
1	SP540164	Soap Hopper Assembly	CE models
2	SP540117	Pin	
3	SP526461	Dispenser Lid	CE models
4	SP540158	Dispenser Seal	
5	SP540113	Flap	
6	SP526468	Soap Hopper Plug	
7	SP309798124313	Screw	ST3.5x13
8	SP540112	Soap Hopper Upper Cover	
9	SP540116	Internal Vessel	
10	SP540115	Main Vessel	
11	SP529206	Screw	
12	SPPRI240000021	Hose Clamp	60-80
13	SPPRI240000002	Hose Clamp	12-22
14	SPPRI540000014	Hose	13-19
	SP101745	Hose Pipe	Used with water approval WRAS
15	SPPRI240000003	Hose Clamp	20-32
16	SP547959	3-Way Valve	3/4 inch
17	SPPRI426002072	Elbow	
18	SPPRI426001217	Pipe Nipple	
19	SPPRI426003217	Extension	
20	SP567064	1-Way Valve	3/4 inch; Optional; Uses SP525821 Valve Repair Kit
21	SPPRI426001107	Tee	
22	SPPRI231000062	Washer	8
23	SP510120	Pipe Nipple	
24	SPPRI340004030	Filter	
25	SPPRI540001019	Hose	
26	SP548933	4-Way Valve	3/4 inch
27	SP526497	Screw	4x12
28	SP526565	Mixer Body	
29	SP526557	Mixer Lid	
30	SP526558	Mixer	
31	SP503839	Temperature Sensor	
32	SP526439	Temperature Sensor Seal	
33	SP526491	Hose Clamp	62-70
34	SP526506	Filling Elbow Pipe	
35	SPPRI240000007	Hose Clamp	70-90
36	SP526510	Vent Hose	
37	SP526490	Dispenser Pipe	

Three Water Inlet System Optional

Models with V in 7th Position



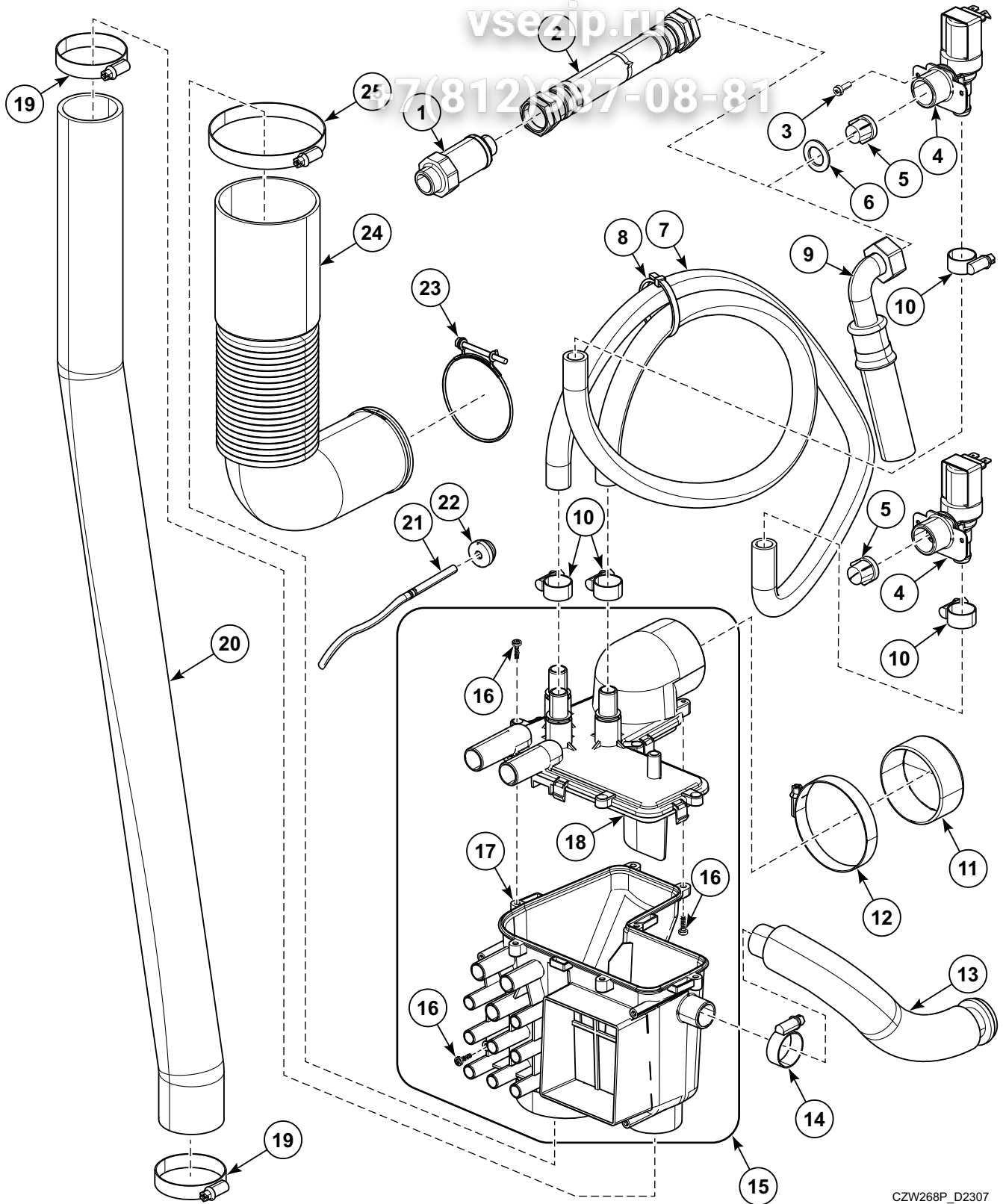
CZW322P_D2307

Three Water Inlet System - Optional

REF	PART NO.	DESCRIPTION	COMMENTS
	SPPRI505000054	Filling Hose Pipe	Used with cold water; used with SPPRI520001009 Seal
	SP547980	Filling Hose Pipe	Used with hot water; used with SPPRI520001009 Seal
	SP101621	Filling Hose Pipe	Used with water approval WRAS; used with SPPRI520001009 Seal
1	SP540164	Soap Hopper Assembly	CE models
2	SP540117	Pin	
3	SP526461	Dispenser Lid	CE models
4	SP540158	Dispenser Seal	
5	SP540113	Flap	
6	SP526468	Soap Hopper Plug	
7	SP309798124313	Screw	ST3.5x13
8	SP540112	Soap Hopper Upper Cover	
9	SP540116	Internal Vessel	
10	SP540115	Main Vessel	
11	SP529206	Screw	
12	SPPRI240000021	Hose Clamp	60-80
13	SPPRI240000002	Hose Clamp	12-22
14	SPPRI540000014	Hose	13-19
	SP101745	Hose Pipe	Used with water approval WRAS
15	SPPRI240000003	Hose Clamp	20-32
16	SP547959	3-Way Valve	3/4 inch
17	SPPRI426002072	Elbow	
18	SPPRI426001217	Pipe Nipple	
19	SPPRI426003217	Extension	
20	SP567064	1-Way Valve	3/4 inch; Optional; Uses SP525821 Valve Repair Kit
21	SPPRI426001107	Tee	
22	SPPRI231000062	Washer	8
23	SP510120	Pipe Nipple	
24	SPPRI340004030	Filter	
25	SPPRI540001019	Hose	
26	SP554211	1-Way Valve	3/4 inch
27	SP526497	Screw	4x12
28	SP526565	Mixer Body	
29	SP526557	Mixer Lid	
30	SP526558	Mixer	
31	SP503839	Temperature Sensor	
32	SP526439	Temperature Sensor Seal	
33	SP526491	Hose Clamp	62-70
34	SP526506	Filling Elbow Pipe	
35	SPPRI240000007	Hose Clamp	70-90
36	SP526510	Vent Hose	
37	SP526490	Dispenser Pipe	

Two Water Inlet System without Soap Hopper

Except Models with V in 7th Position or G, H, J or K in 13th Position



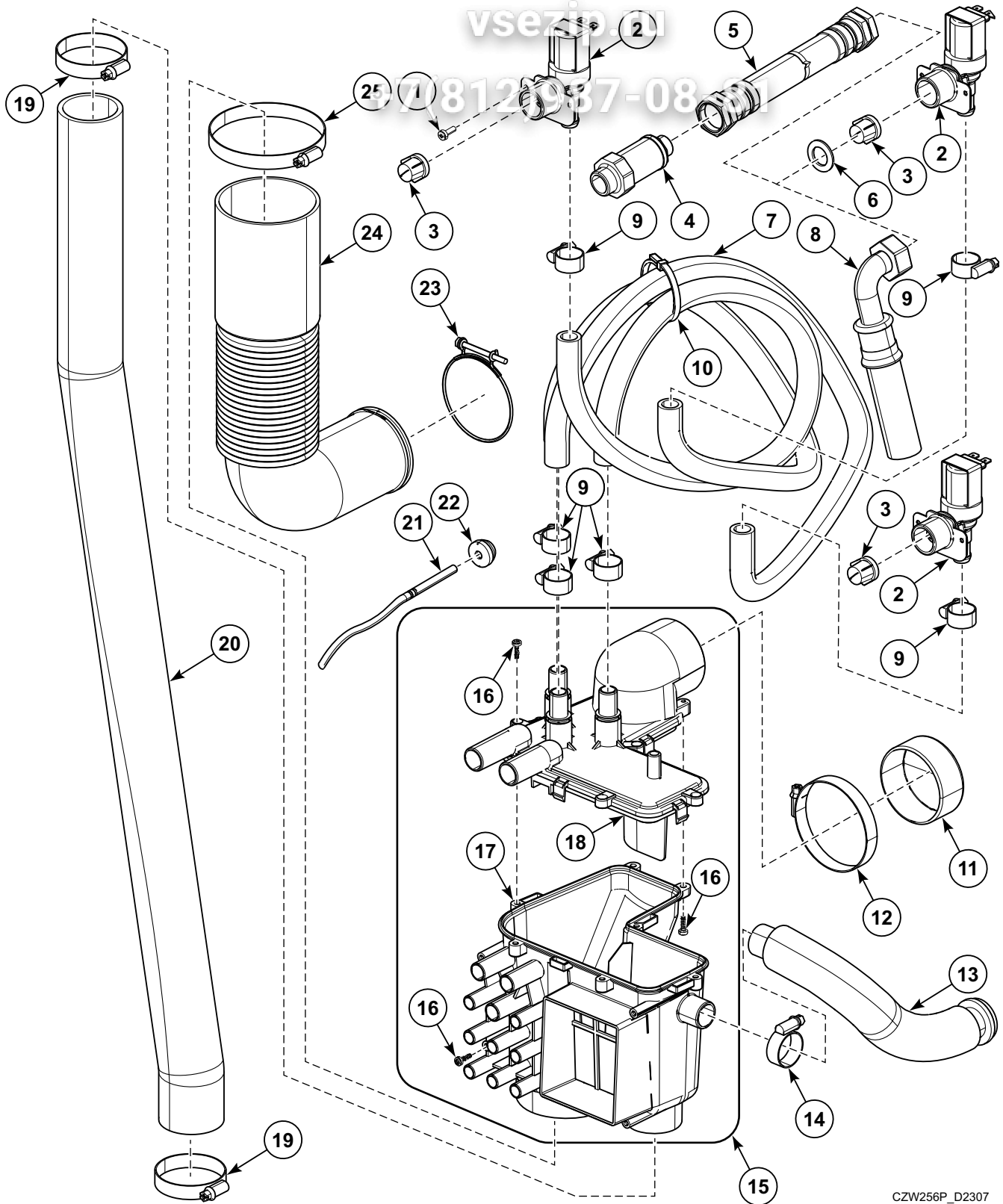
CZW268P_D2307

Two Water Inlet System without Soap Hopper

REF	PART NO.	DESCRIPTION	COMMENTS
1	RSPB12543901	Double Reverse Valve	IYY, LYY, NYY, PYY and SYY models
2	RSPF200166	Filling Hose Pipe	IYY, LYY, NYY, PYY and SYY models
3	SP555504	Bolt	M4x12
4	570195	1-Way Valve	3/4 inch
5	SPPRI340004030	Filter	
6	SPPRI520001009	Seal	
7	SPPRI540000014	Hose	
8	SP503817	Binding Strip	
9	SPPRI505000054	Filling Hose Pipe	Used with cold water
	SP547980	Filling Hose Pipe	Used with hot water
	SP101621	Filling Hose Pipe	Valid for water approval WRAS
10	SPPRI240000002	Hose Clamp	
11	567053	Plug	
12	SPPRI240000021	Hose Clamp	60-80
13	SP526510	Vent Hose	
14	SPPRI240000003	Hose Clamp	20-32
15	SP526558	Mixer	
16	SP526497	Screw	4x12
17	SP526565	Mixer Body	
18	SP526557	Mixer Lid	
19	SPPRI240000017	Hose Clamp	40-60
20	SP547897	Overflow Tube	
21	503839	Temperature Sensor	
22	SP526439	Temperature Sensor Seal	
23	SP526491	Hose Clamp	62-70
24	SP526506	Filling Elbow Pipe	
25	SPPRI240000007	Hose Clamp	70-90

Three Water Inlet System without Soap Hopper

Except Models with V in 7th Position or G, H, J or K in 13th Position



CZW256P_D2307

Three Water Inlet System without Soap Hopper

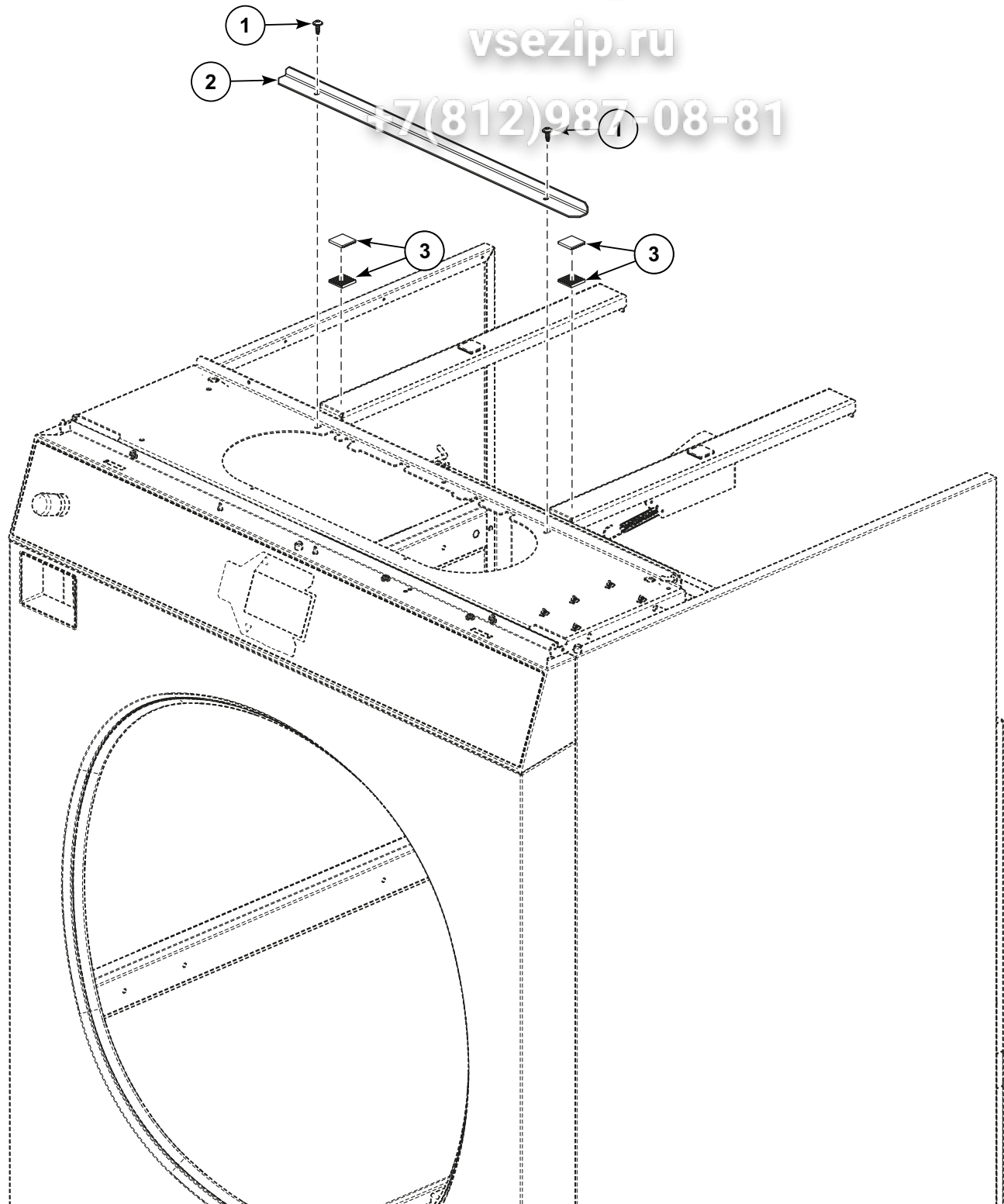
REF	PART NO.	DESCRIPTION	COMMENTS
1	SP555504	Bolt	M4x12
2	570195	1-Way Valve	3/4 inch
3	SPPRI340004030	Filter	
4	RSPB12543901	Double Reverse Valve	IYY, LYI, NYY, PYY and SYY models
5	RSPF200166	Filling Hose Pipe	IYY, LYY, NYY, PYY and SYY models
6	SPPRI520001009	Seal	
7	SPPRI540000014	Hose	
8	SPPRI505000054	Filling Hose Pipe	Used with cold water
	SP547980	Filling Hose Pipe	Used with hot water
	SP101621	Filling Hose Pipe	Valid for water approval WRAS
9	SPPRI240000002	Hose Clamp	
10	SP503817	Binding Strip	
11	567053	Plug	
12	SPPRI240000021	Hose Clamp	60-80
13	SP526509	Vent Hose	
14	SPPRI240000003	Hose Clamp	20-32
15	SP526558	Mixer	
16	SP526497	Screw	4x12
17	SP526565	Mixer Body	
18	SP526557	Mixer Lid	
19	SPPRI240000017	Hose Clamp	40-60
20	SP547897	Overflow Tube	
21	503839	Temperature Sensor	
22	SP526439	Temperature Sensor Seal	
23	SP526491	Hose Clamp	62-70
24	SP526506	Filling Elbow Pipe	
25	SPPRI240000007	Hose Clamp	70-90

Cabinet Reinforcement without Soap Hopper

Элп Общеллп

vsezip.ru

+7(812)987-08-81



CZW349P_D2307

Cabinet Reinforcement without Soap Hopper

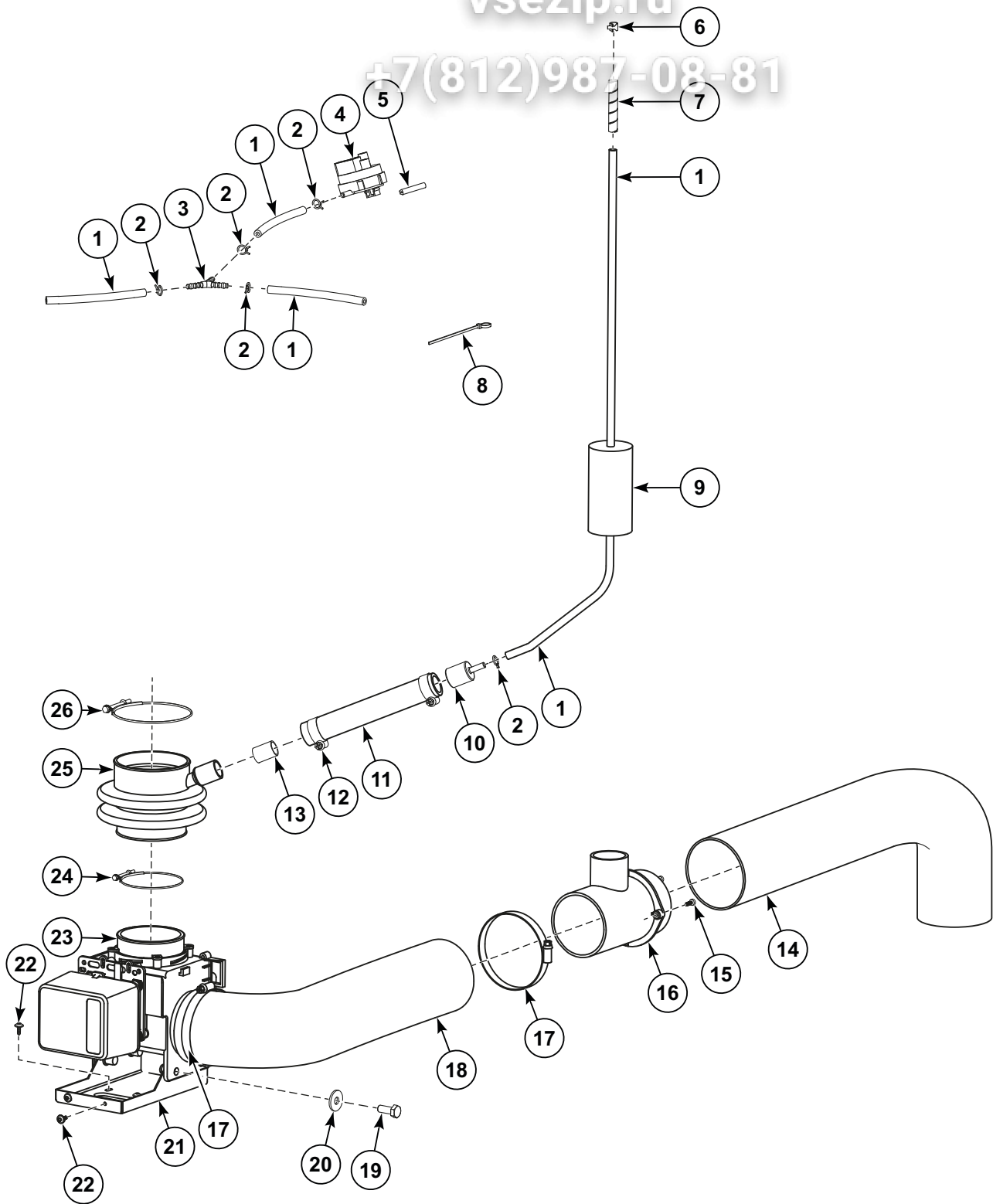
REF	PART NO.	DESCRIPTION	COMMENTS
1	SP529206	Screw	M4x11
2	573228	Reinforcement	
3	SP550115	Fastener	

Drain System Drain Valve

All Models Except Models with V in 7th Position

vsezip.ru

+7(812)987-08-81



CZW435P_D2307

Drain System Drain Valve

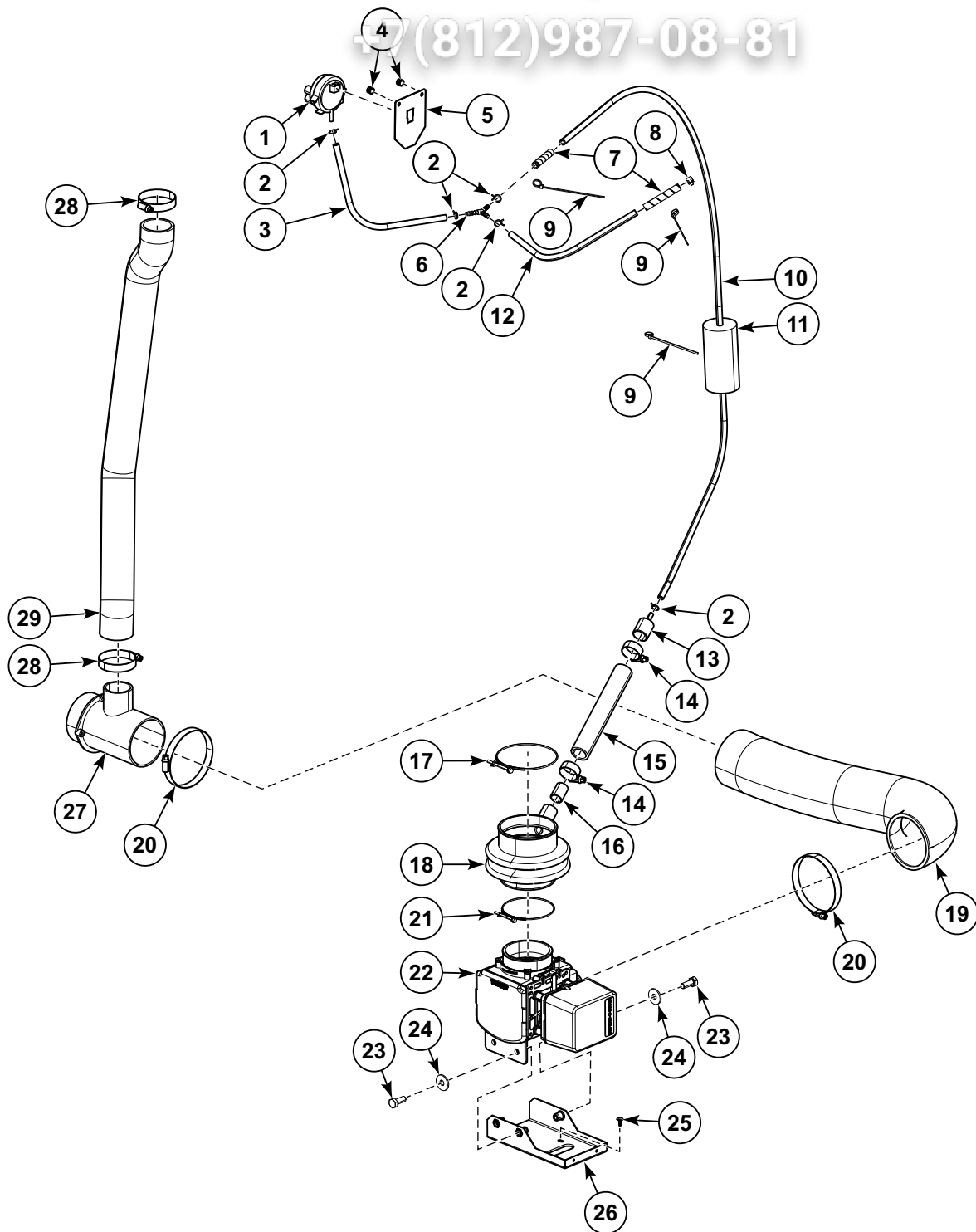
REF	PART NO.	DESCRIPTION	COMMENTS
1	SPPRI540001003	Water Level Switch Hose	
2	SPPRI241000017	Hose Clamp	A5.5
3	SPPRI503000028	Y-Piece	J models
4	SP562708	Waters Level Sensor	J models
5	SPPRI505000058	Profiled Sealing	J models
6	SP540183	Spring Clamp	
7	SP283449080200	Spiral	
8	SP345000626088	Binding Strip	
9	SP100188	Foam Roller	
10	SPPRI503000027	Air Trap Reduction	
11	SPPRI503002049	Hose	Air trap
12	SPPRI240000003	Hose Clamp	20-32
13	SP500125	Reinforcement Tube	
14	SP519463	Drain Elbow	PYN models; CSA
	SP235100018724	Drain Elbow	CE and Watermark
15	SP526497	Screw	4x12
16	SP526454	Tee	
17	SPPRI240000007	Hose Clamp	70-90
18	SP526500	Drain Elbow	
19	SP309933000820	Bolt	M8x20
20	SP311902100008	Washer	8
21	SP526513	Drain Valve Holder	
22	SP529206	Screw	4x11
23	SP526460	Drain Valve	Black; Includes 553195 Drain Valve Chamber, SPPRI340002051 Drain Valve Motor and 554276 Drain Valve Seal
	553195	Drain Valve Chamber	Black
	SPPRI340002051	Drain Valve Motor	Includes gearbox
	SP547821	Reverse Function Drain Valve	CE and Watermark; Black; Includes 553195 Drain Valve Chamber, SPPRI340002051 Drain Valve Motor and 554276 Drain Valve Seal
	554276	Drain Valve Seal	
24	576096	Hose Clamp	78-85
25	SP526492	Drain Hose Pipe	
26	SP526532	Hose Clamp	82-90

Drain System

Models with V in 7th Position

vsezip.ru

(812)987-08-81

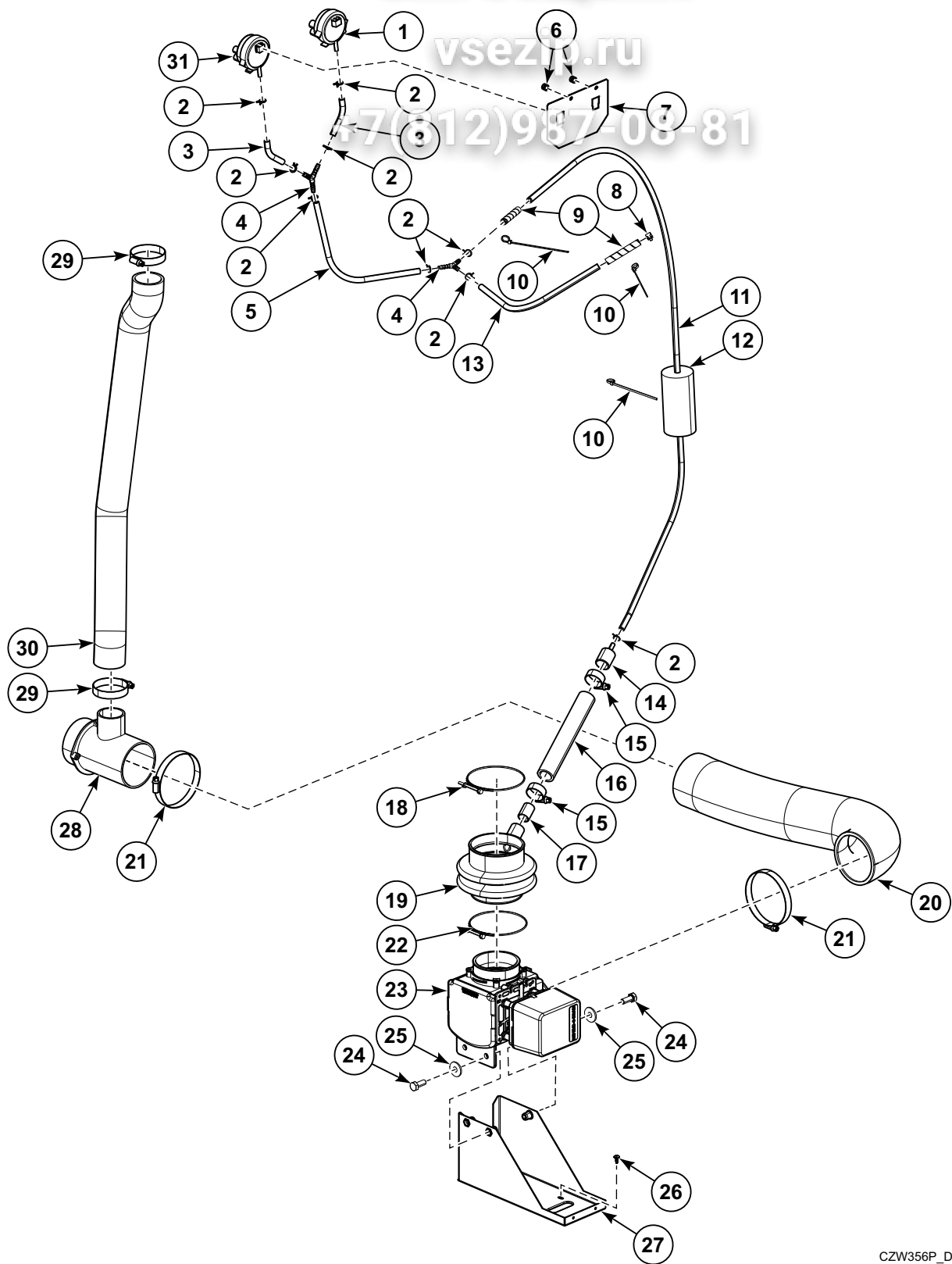


CZW436P_D2307

Drain System

REF	PART NO.	DESCRIPTION	COMMENTS
1	570315	Water Level Switch	
2	SPPRI241000017	Hose Clamp	A5.5
3	SPPRI540001003	Water Level Switch Hose	0.31m
4	558054	Rivet	4x9.5
5	570373	Water Level Switch Holder	
6	SPPRI503000028	Y-Piece	
7	SP283449080200	Spiral	
8	SP540183	Spring Clamp	
9	SP345000626088	Binding Strip	
10	SPPRI540001003	Water Level Switch Hose	1.15m
11	SP100188	Foam Roller	
12	SPPRI540001003	Water Level Switch Hose	0.29m
13	SPPRI503000027	Air Trap Reduction	
14	SPPRI240000003	Hose Clamp	20-32
15	SPPRI503002049	Hose	Air trap
16	SP500125	Reinforcement Tube	
17	SP526532	Hose Clamp	82-90
18	SP526492	Drain Hose Pipe	
19	SP526500	Drain Elbow	
20	SPPRI240000007	Hose Clamp	70-90
21	576096	Hose Clamp	78-85
22	SP526460	Drain Valve	Black; Includes SPPRI340002051 Drain Valve Motor and 554276 Drain Valve Seal
	SP547821	Reverse Function Drain Valve	Black; Includes SPPRI340002051 Drain Valve Motor and 554276 Drain Valve Seal
	SPPRI340002051	Drain Valve Motor	Includes gear box
	554276	Drain Valve Seal	
23	SP309933000820	Bolt	M8x20
24	SP311902100008	Washer	8
25	SP529206	Screw	4x11
26	SP526513	Drain Valve Holder	
27	SP526454	Tee	
28	SPPRI240000017	Hose Clamp	40-60
29	SP547897	Overflow Tube	

Drain System - J Models with V in 7th Position



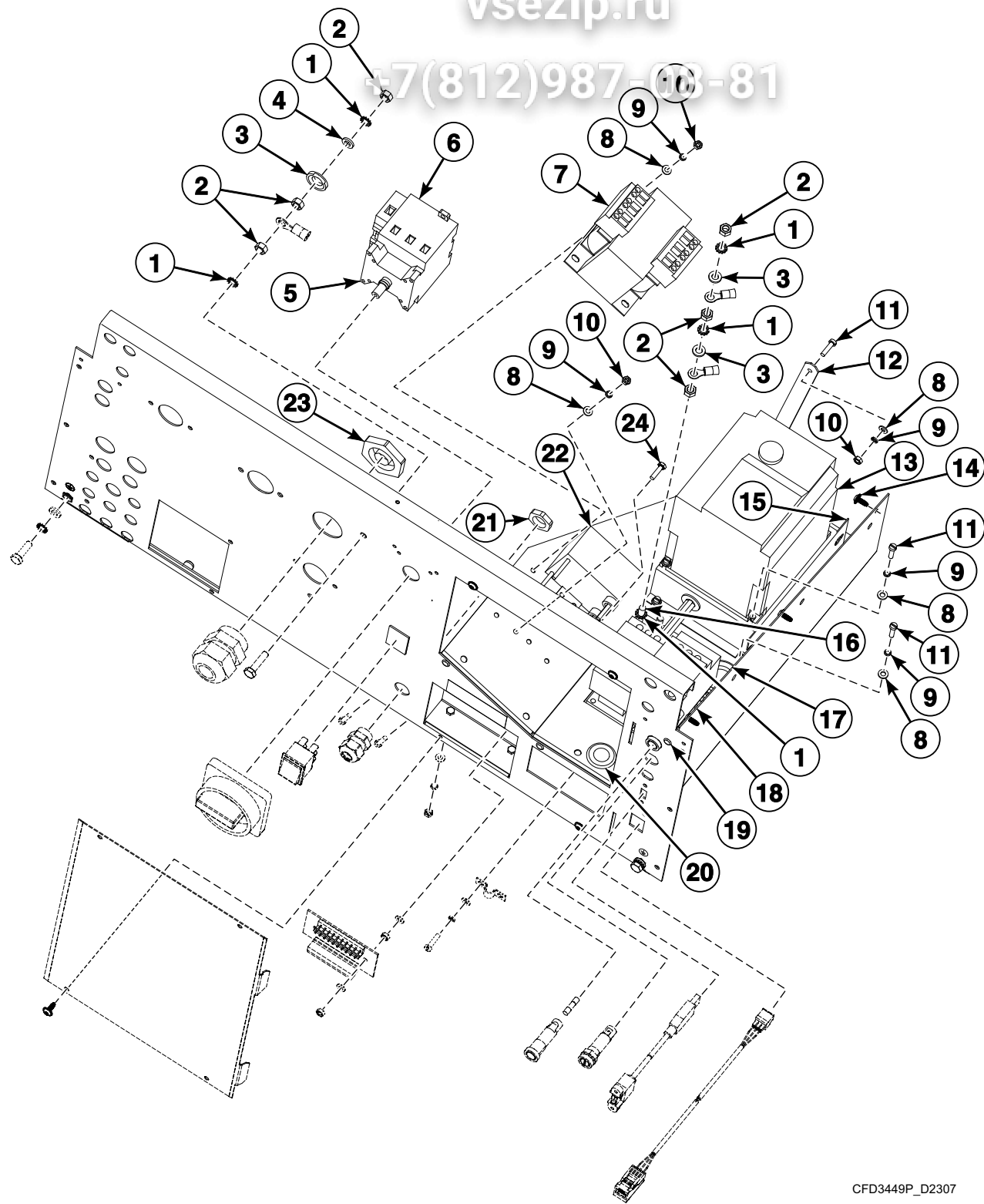
CZW356P_D1714

Drain System - J Models with V in 7th Position

REF	PART NO.	DESCRIPTION	COMMENTS
1	570315	Water Level Switch	
2	SPPRI241000017	Hose Clamp	A5.5
3	SPPRI540001003	Water Level Switch Hose	2.76 inch (0.07 m)
4	SPPRI503000028	Y-Piece	
5	SPPRI540001003	Water Level Switch Hose	7.87 inch (0.2 m)
6	558054	Rivet	4x9.5
7	573199	Water Level Switch Holder	
8	SP540183	Spring Clamp	
9	SP283449080200	Spiral	
10	SP345000626088	Binding Strip	
11	SPPRI540001003	Water Level Switch Hose	45.28 inch (1.15m)
12	SP100188	Foam Roller	
13	SPPRI540001003	Water Level Switch Hose	14.17 inch (0.36m)
14	SPPRI503000027	Air Trap Reduction	
15	SPPRI240000003	Hose Clamp	20-32
16	SPPRI503002049	Hose	Air trap
17	SP500125	Reinforcement Tube	
18	SP526532	Hose Clamp	82-90
19	SP526492	Drain Hose Pipe	
20	SP526500	Drain Elbow	
21	SPPRI240000007	Hose Clamp	70-90
22	579096	Hose Clamp	78-85
23	SP526460	Drain Valve	Black; Includes SPPRI340002051 Drain Valve Motor and 554276 Drain Valve Seal
	SP547821	Reverse Function Drain Valve	Black; Includes SPPRI340002051 Drain Valve Motor and 554276 Drain Valve Seal
	SPPRI340002051	Drain Valve Motor	Includes gear box
	554276	Drain Valve Seal	
24	SP309933000820	Bolt	M8x20
25	SP311902100008	Washer	8
26	SP529206	Screw	4x11
27	SP526513	Drain Valve Holder	
28	SP526454	Tee	
29	SPPRI240000017	Hose Clamp	40-60
30	SP547897	Overflow Tube	
31	562708	Water Level Switch	

Rear Panel (Drawing 1 of 3)

Except Models with V in 7th Position or G, H, J or K in 13th Position



CFD3449P_D2307

Rear Panel (Drawing 1 of 3)

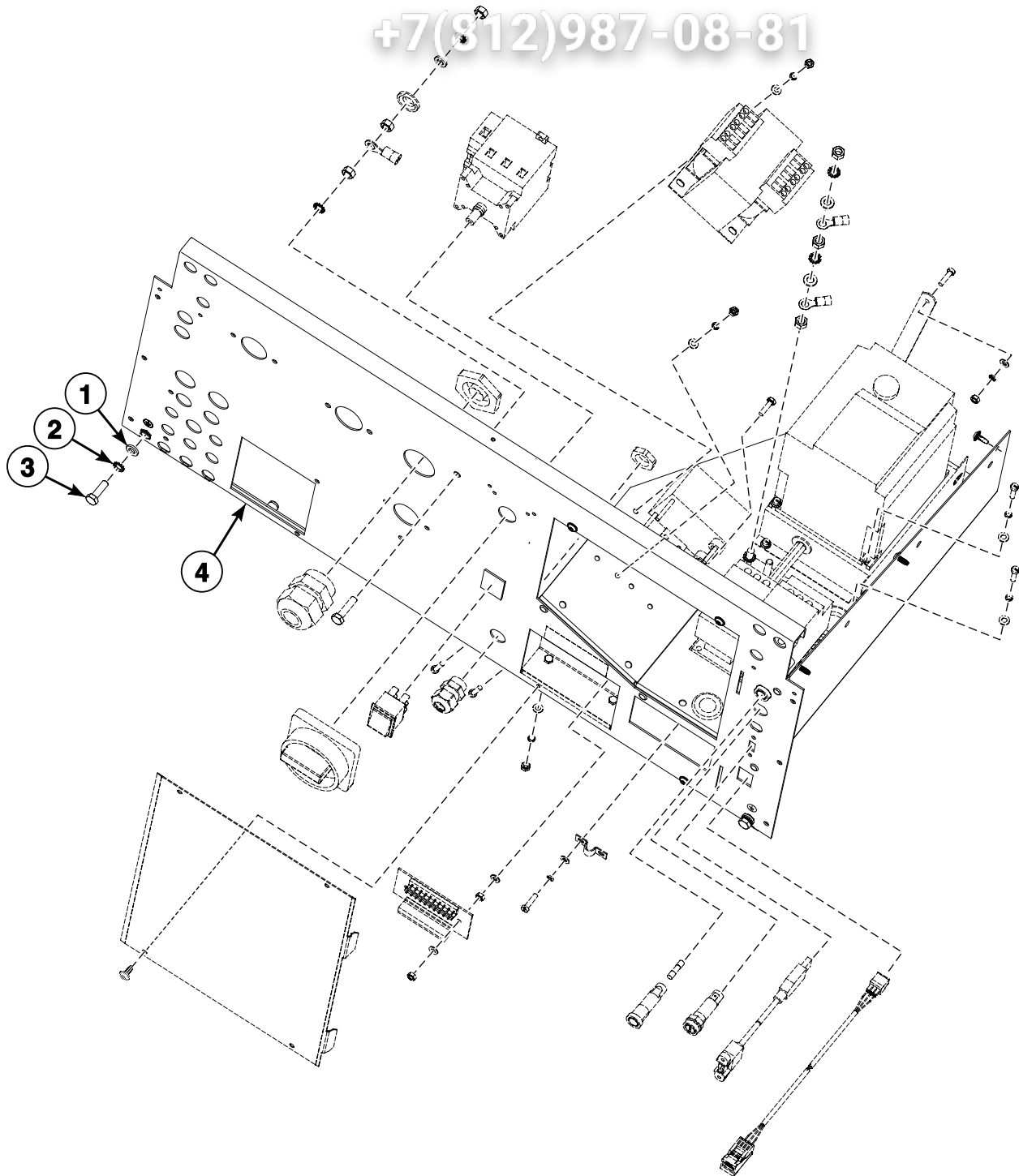
REF	PART NO.	DESCRIPTION	COMMENTS
	SP557769	Main Wiring	MC7; CE
	SP528429	Main Wiring	MC6; CE
	SP552476	Main Wiring	PYN models; CSA
	SP528443	Liquid Soap Supply Connection Kit	
1	SP311679824006	Washer	M6
2	SP310934100006	Nut	M6
3	563361	Washer	PYN models; CSA
4	SP311125100006	Washer	6.4
5	SP506407	Main Switch	25A; Fourth pole
	SPPRI404001098	Main Switch	32A; Fourth pole
	SPPRI404001099	Main Switch	63A; Fourth pole
6	SPPRI404000098	Main Switch	32A
	SPPRI404000097	Main Switch	25A
	SPPRI404000099	Main Switch	63A
7	SP516648	Transformer	
8	SP311125000004	Washer	4.3
9	SP311127000004	Washer	4
10	SP310934000004	Nut	M4
11	SP309084000416	Bolt	M4x16
12	SP526593	Holder Partition	
13	571473	Frequency Inverter	200 Volt; FR-D720S-100-SC-E8
	571475	Frequency Inverter	400 Volt; FR-D740-080-CS-E8
	SP528324	Communication Cable	
	SP528325	Communication Cable	Photomaton
14	SP529206	Screw	4x11
15	SP525935	Filter	FR-D740-xxx
16	SP309933100625	Bolt	M6x25
17	SPPRI501000071	Cable Bushing	25x1.4; AF, FX, HX, LP, LY, MWF, PY and SW models through Serial No. 240FX007419MD; AF Non-Brand, HY, IY, J, NY, SY and UY models through Serial No. 240FX007240MB
18	SPPRI345002019	Contactor	LC1D32M7
	SP514043	Contactor	LC1D50M7
	SP514038	Contactor	LC1-D09M7
	SP514042	Contactor	LC1D18M7
19	SP313250004007	Rivet	4x7
20	SP273121015002	Cable Passage	15x2; AF, FX, HX, LP, LY, MWF, PY and SW models starting Serial No. 240FX007419MD; AF Non-Brand, HY, IY, J, NY, SY and UY models through Serial No. 240FX007240MB
21	SP101416	Nut	M16
22	SP552251	Filter	FR-D720S-xxx
23	SP101419	Nut	M32
24	SP309933000416	Bolt	M4x16

Rear Panel (Drawing 2 of 3)

Except Models with V in 7th Position or G, H, J or K in 13th Position

vsezip.ru

+7(812)987-08-81



CFD3450PA_D2307

Rear Panel (Drawing 2 of 3)

REF	PART NO.	DESCRIPTION	COMMENTS
	557982	Cable	Extra price option
	SP506575	Terminal Board	Extra price option
	557981	Label	Extra price option
	SP514057	Relay	FX, IY, PY, SY and UY models; OPL; CE and Watermark; Refer to NOTE*
	SP506586	Relay Case	FX, IY, PY, SY and UY models; OPL; CE and Watermark; Refer to NOTE*
	SP514135	Relay Clamp	FX, IY, PY, SY and UY models; OPL; CE and Watermark; Refer to NOTE*
	552482	Fuse Housing	FX, IY, PY, SY and UY models; OPL; CE and Watermark; Refer to NOTE*
	552483	End Cover	FX, IY, PY, SY and UY models; OPL; CE and Watermark; Refer to NOTE*
	569725	Fuse Glass	FX, IY, PY, SY and UY models; OPL; 4A; CE and Watermark; Refer to NOTE*
	568308	Sticker	FX, IY, PY, SY and UY models; OPL; CE and Watermark; Refer to NOTE*
	528169	Interconnection	FX, IY, PY, SY and UY models; OPL; 1-120V; CE and Watermark; Refer to NOTE*
	SP545220	Interconnection	FX, IY, PY, SY and UY models; OPL; 1-160V; CE and Watermark; Refer to NOTE*
	564682	Interconnection	FX, IY, PY, SY and UY models; OPL; 1.5-150V; CE and Watermark; Refer to NOTE*
	505448	Conductor	FX, IY, PY, SY and UY models; OPL; CE and Watermark; Refer to NOTE*
	SP505446	Conductor	FX, IY, PY, SY and UY models; OPL; CE and Watermark; Refer to NOTE*
	557936	Isolation Cavity	FX, IY, PY, SY and UY models; OPL; CE and Watermark; Refer to NOTE*
	345000966067	Isolation Cavity	FX, IY, PY, SY and UY models; OPL; CE and Watermark; Refer to NOTE*
	345000034150	Cable Eye	FX, IY, PY, SY and UY models; OPL; CE and Watermark; Refer to NOTE*
	SP503817	Binding Strip	FX, IY, PY, SY and UY models; OPL; CE and Watermark; Refer to NOTE*
	SP345000626088	Binding Strip	FX, IY, PY, SY and UY models; OPL; CE and Watermark; Refer to NOTE*
	SP528313	Cable Holder	FX, IY, PY, SY and UY models; OPL; CE and Watermark;
1	SP311125240006	Washer	6.4
2	SP311679824006	Washer	M6
3	SP309933000620	Bolt	M6x20
4	SP554384	Rear Panel	AF Non-Brand, HY, IY, J, NY, SY and UY models
	SP547880	Rear Panel	AF, FX, HX, LP, LY, MWF, PY and SW models

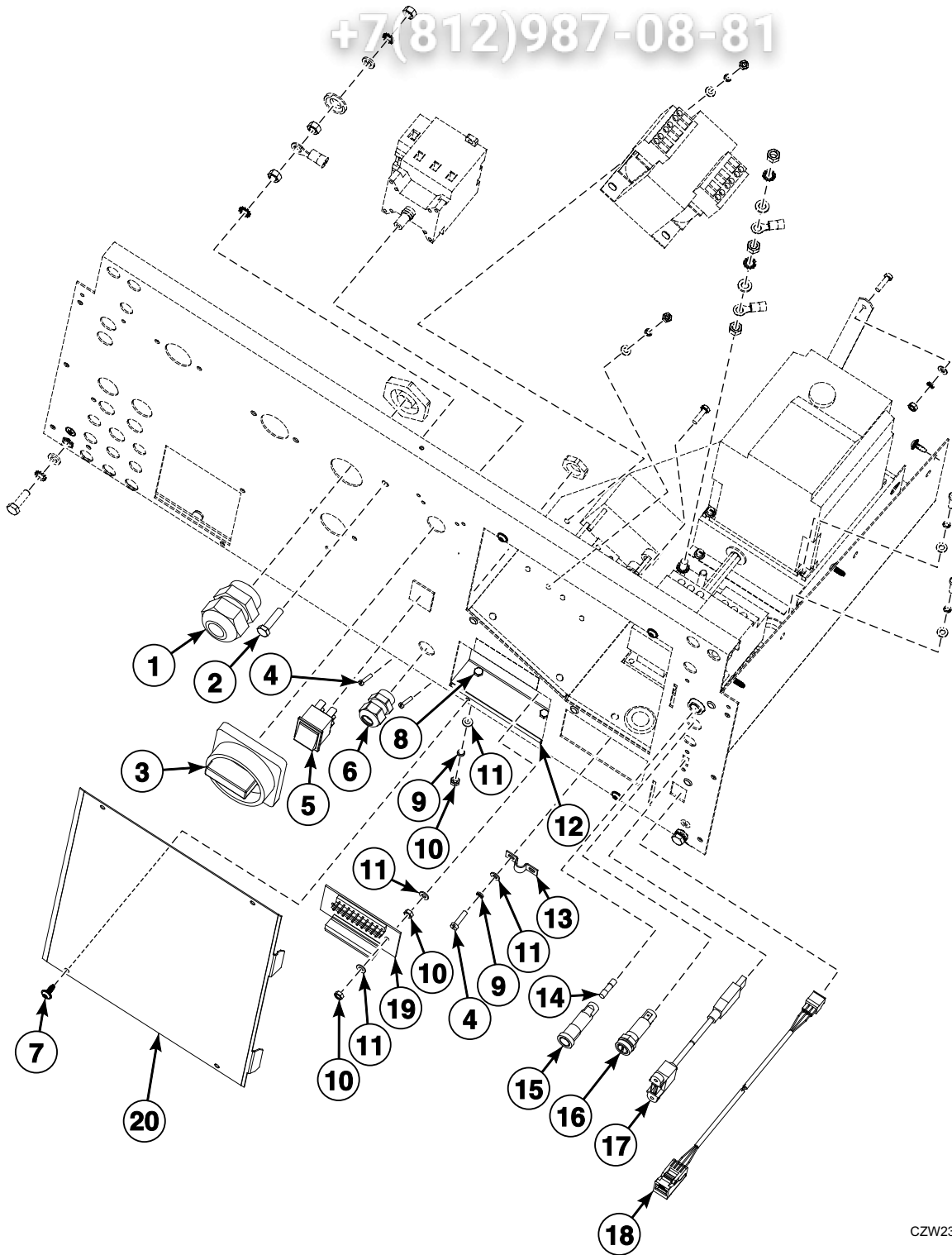
* NOTE: Wet cleaning with built-in recirculation pump.

Rear Panel (Drawing 3 of 3)

Except Models with V in 7th Position or G, H, J or K in 13th Position

vsezip.ru

+7(812)987-08-81



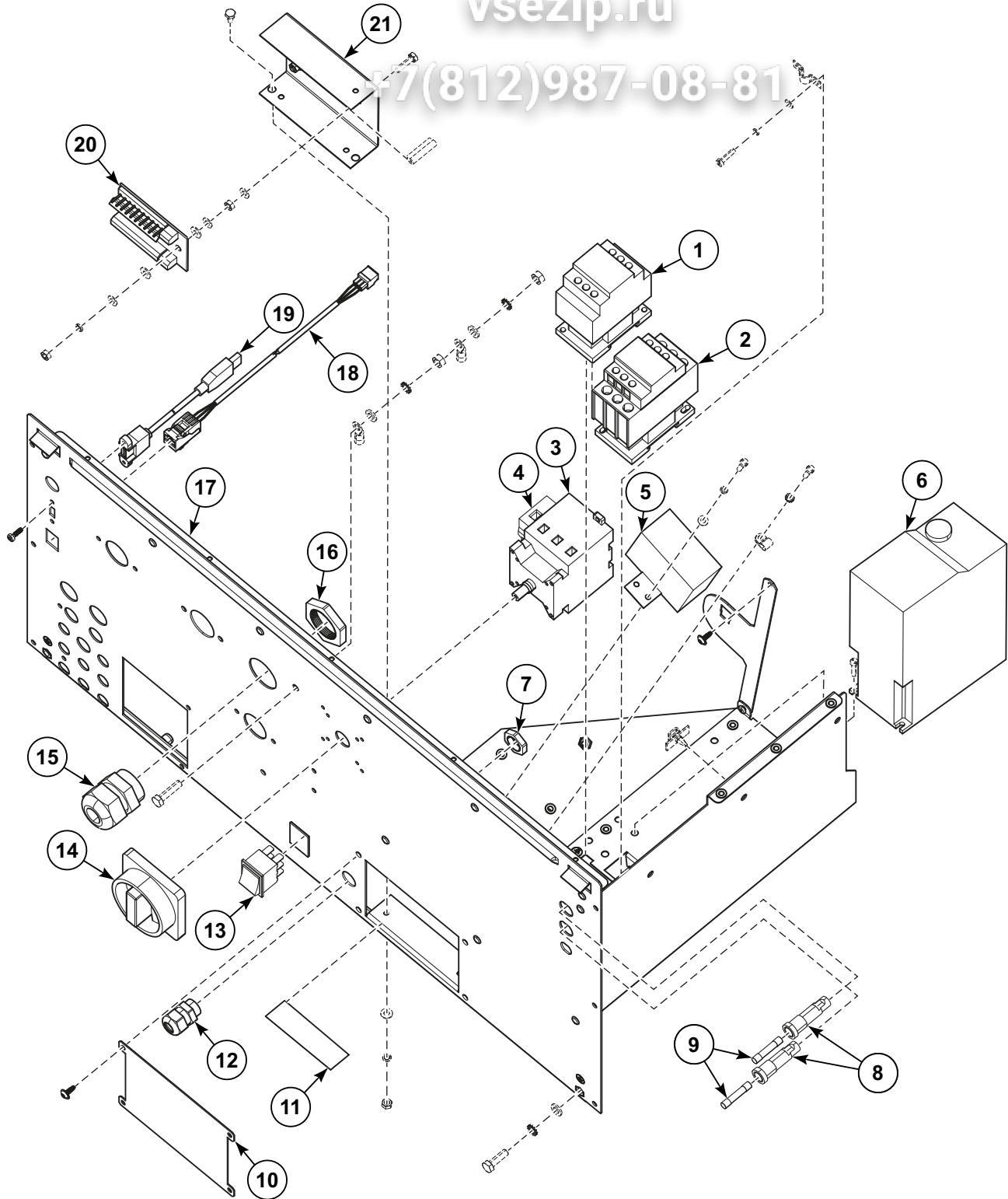
CZW23P_D2307

Rear Panel (Drawing 3 of 3)

REF	PART NO.	DESCRIPTION	COMMENTS
	SP557948	External Block Signal Cable	4.3m
1	SP101409	Bushing	M32x1.5
	SP557952	Cable Bushing Insert	M32
2	SP309933100625	Bolt	M6x25
3	SPPRI404000095	Main Switch Knob	
4	SP309084000416	Bolt	M4x16
5	SP100388	Switch	
6	SP101406	Bushing	M16
7	SP529206	Screw	4x11
8	SP309933240408	Bolt	M4x8
9	SP311127000004	Washer	4
10	SP310934000004	Nut	M4
11	SP311125000004	Washer	4.3
12	SP540123	Liquid Detergent Box	
13	SP528392	Cable Clamp	
14	SP345805005020	Fuse	5x20mm, T0.5A/250V
	SP345805163032	Fuse	6.3x32mm, T1A/500V
15	SPPRI401003020	Fuse Housing	6.3x32
16	SPPRI401001020	Fuse Holder	
17	SP547006	USB Cable	Rear panel connection
18	SP545234	Cable	RS485; With connectors
19	SP524714	Soap Relay Board	
	SP528150	Pump Relay Board to LED Terminal Cable	
	SP557944	Soap Link Kit	
	SP557947	External Block Signal Cable	2.8m
20	SP526567	Rear Panel Lid	

Rear Panel 230-400V with Neutral (Drawing 1 of 2)

AF, IY and NY Models with G, H, J or K in 13th Position except Models with V in 7th Position



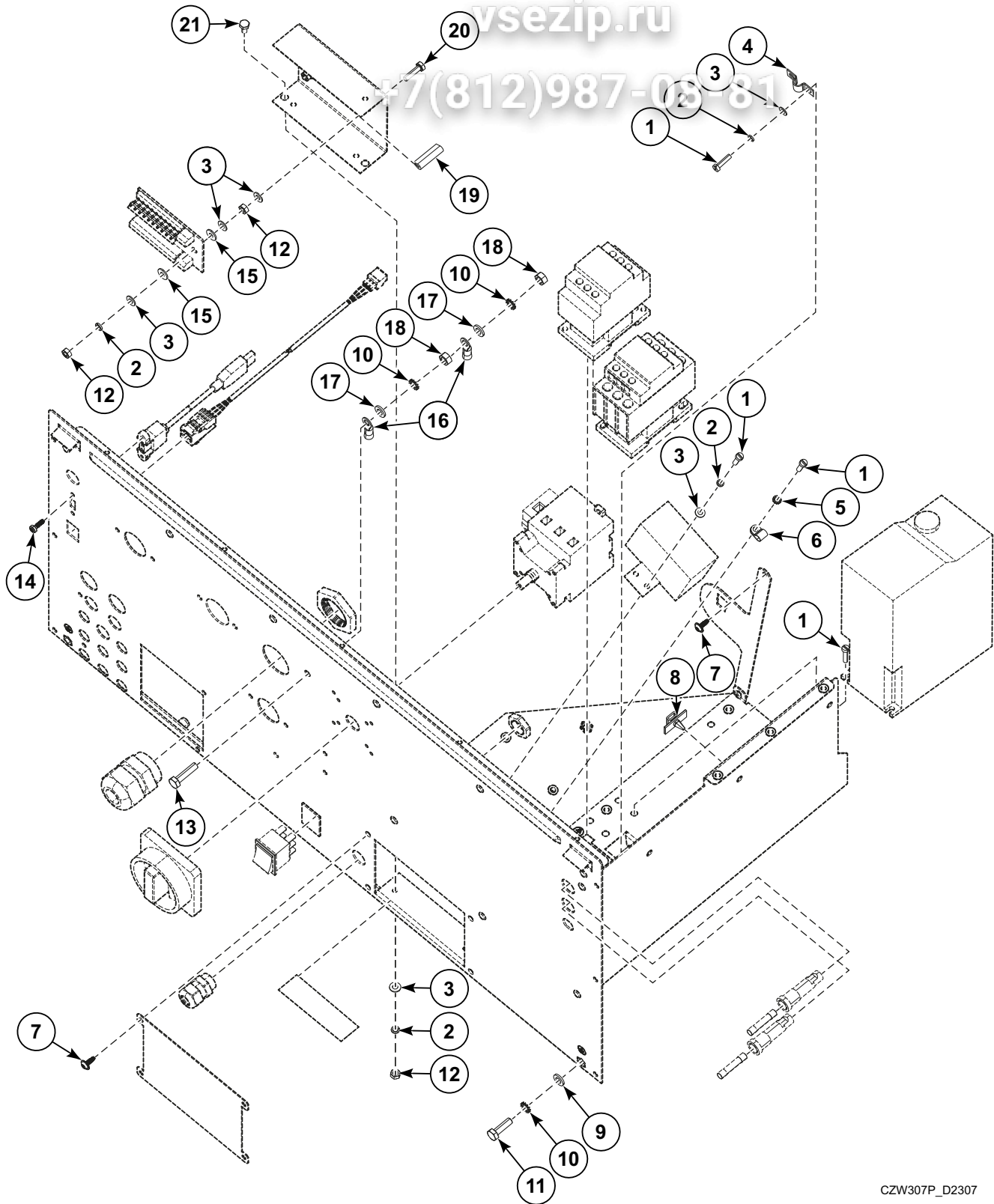
CZW306P_D2307

Rear Panel 230-400V with Neutral (Drawing 1 of 2)

REF	PART NO.	DESCRIPTION	COMMENTS
1	SP514038	Contactors	LC1-D09M7; Used with frequency inverter
2	SP514038	Contactors	LC1-D09M7; Electric heating; 6kW, 9kW, 12kW 400V / 440V
	SP514042	Contactors	LC1D18M7; Electric Heating 18kW 400V / 440V
	SPPRI345002019	Contactors	LC1D3201; Electric heating 12kW, 18kW, 22kW, 230V / 400V / 440V
3	SPPRI404000097	Main Switch	25A; used with SP506407 Main Switch Fourth Pole 25A
	SPPRI404000098	Main Switch	32A; used with SPPRI404001098 Main Switch Fourth Pole 32A
	SPPRI404000099	Main Switch	63A; used with SPPRI404001099 Main Switch Fourth Pole 63A
4	SP506407	Main Switch	25A; Fourth pole
	SPPRI404001098	Main Switch	32A; Fourth pole
	SPPRI404001099	Main Switch	63A; Fourth pole
5	SP552251	Filter	16A / 250V
6	571473	Frequency Inverter	FR-D720S; 2.2kW; 230V / 400V+N
	571474	Frequency Inverter	FR-D740; 3.7kW, 400V / 440V
	557961	Ferrite Core	Used with frequency inverter
7	SP101416	Nut	M16
8	SPPRI401003020	Fuse Housing	2 pieces
9	SP345805163032	Fuse	6.3x32mm, T1A/500V; 2 pieces
10	566549	Cover	
11	524740	Label	
12	SP101406	Bushing	M16
13	SP100388	Switch	
14	SPPRI404000095	Main Switch Knob	
15	SP101409	Bushing	M32x1.5
16	SP101419	Nut	M32
17	577195	Rear Panel	Assembly
18	SP545234	Cable	RS485; With connectors
19	SP547006	USB Cable	Rear panel connection; Optional
20	524714	Soap Relay Board	Used with SP528419 Pump Relay Board Flat Cable, 1=1.8m long
	SP557944	Soap Link Kit	
	SP557947	External Block Signal Cable	2.8m
21	540123	Holder	

Rear Panel 230-400V with Neutral (Drawing 2 of 2)

AF, IY and NY Models with G, H, J or K in 13th Position except Models with V in 7th Position



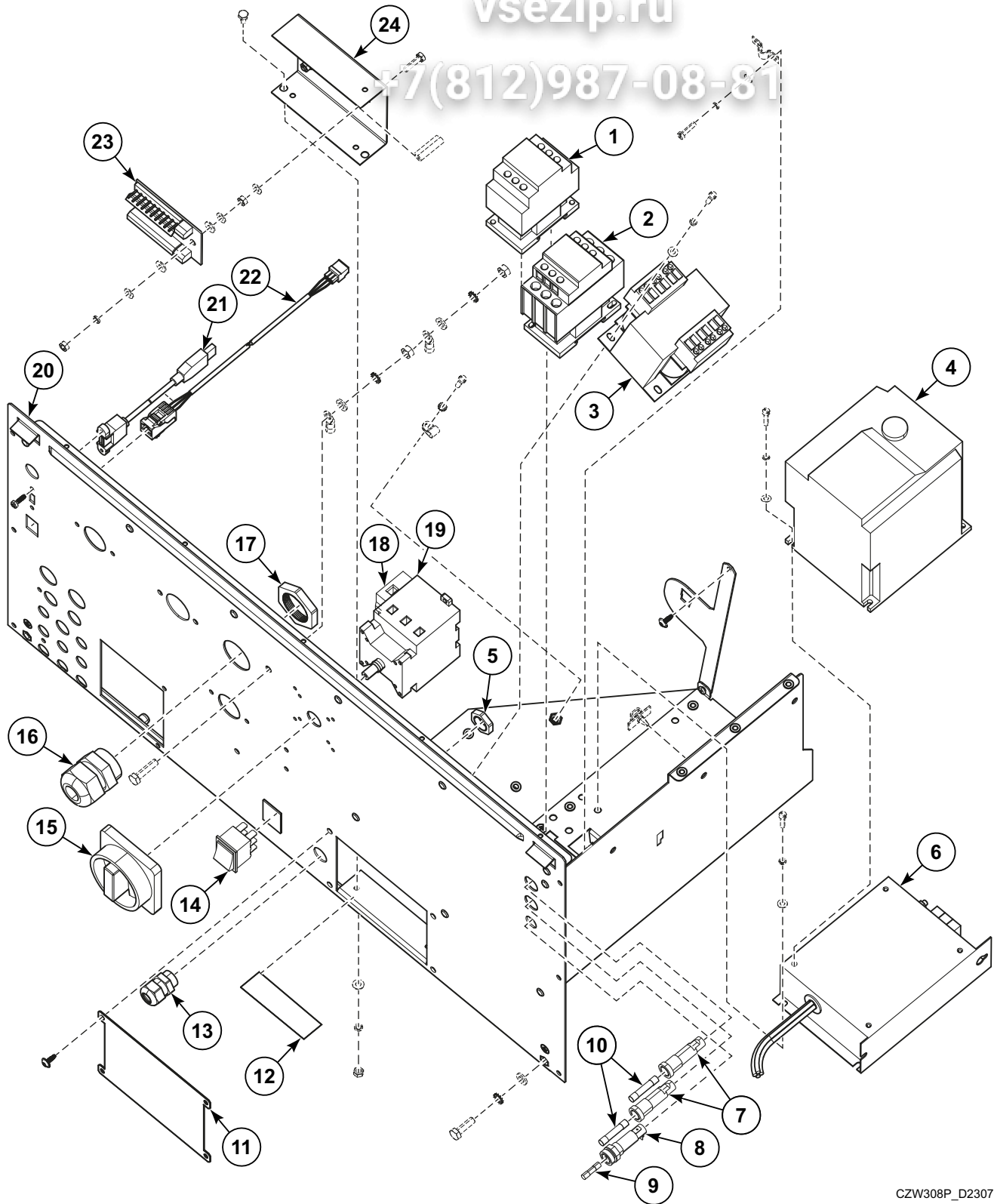
CZW307P_D2307

Rear Panel 230-400V with Neutral (Drawing 2 of 2)

REF	PART NO.	DESCRIPTION	COMMENTS
1	SP309084000416	Bolt	M4x16
2	SP311127000004	Washer	4
3	SP311125000004	Washer	4.3
4	SP528392	Cable Clamp	
5	SP311679800004	Washer	M4
6	SP502214	Clip	
7	SP529206	Screw	4x11
8	SP528313	Cable Holder	
9	SP311125240006	Washer	6
10	SP311679824006	Washer	6
11	SP309933000620	Bolt	M6x20
12	SP310934000004	Nut	M4
13	SP309933100625	Bolt	M6x25
14	SP526497	Screw	4x12
15	SPPRI523000007	Washer	M4
16	SP345000165034	Cable Eye	
17	SP311125100006	Washer	
18	SP310934100006	Nut	M6
19	SPPRI505000058	Profiled Sealing	
20	SP309933000416	Bolt	M4x16
21	SP309933240408	Bolt	M4x8

Rear Panel 400-440V (Drawing 1 of 2)

AF, IY and NY Models with G, H, J or K in 13th Position except Models with V in 7th Position



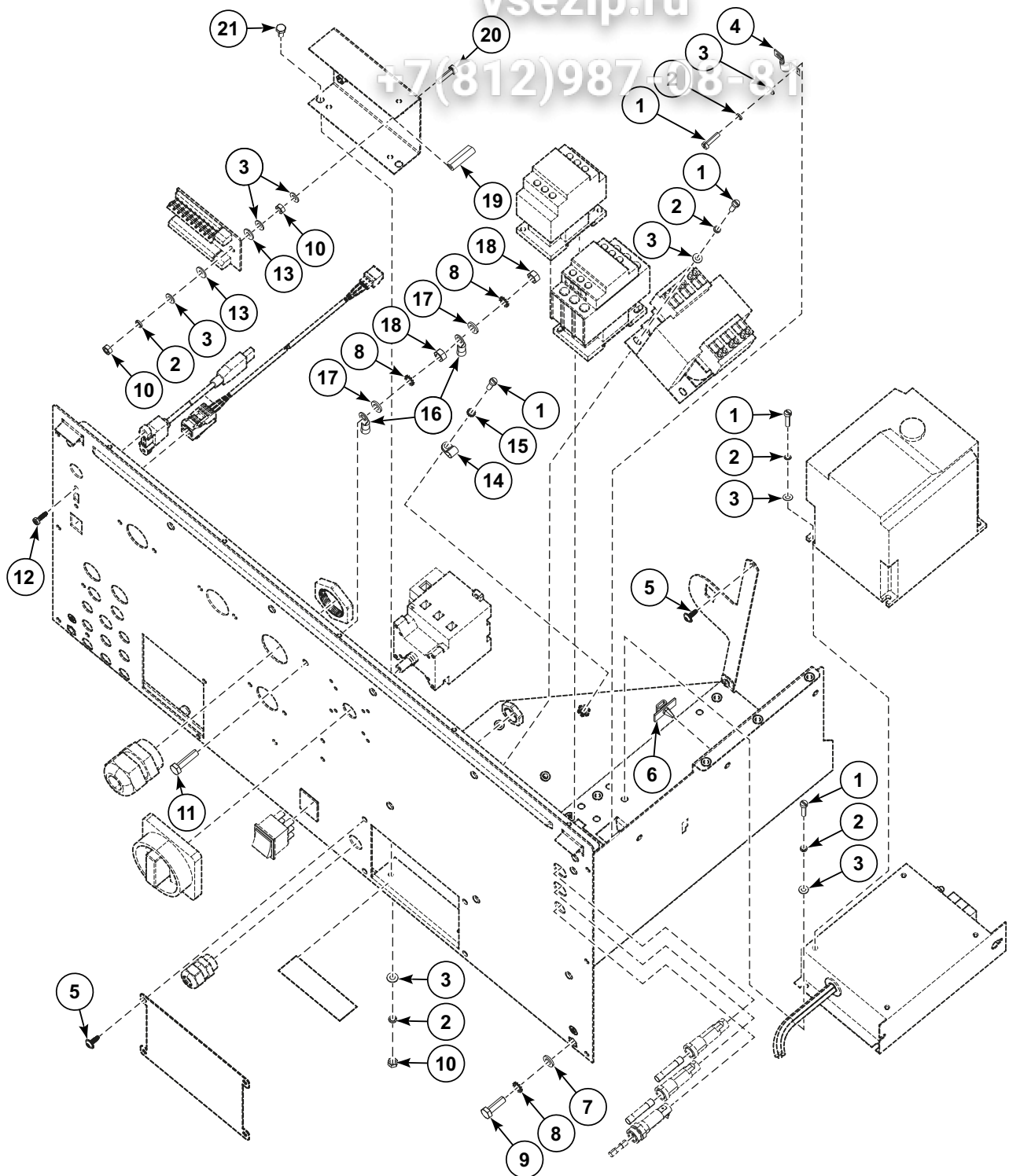
CZW308P_D2307

Rear Panel 400-440V (Drawing 1 of 2)

REF	PART NO.	DESCRIPTION	COMMENTS
1	SP514038	Contactors	LC1-D09M7; Used with frequency inverter
2	SP514038	Contactors	LC1-D09M7; Electric heating; 6kW, 9kW, 12kW 400V / 440V
	SP514042	Contactors	LC1D18M7; Electric Heating 18kW 400V / 440V
	SPPRI345002019	Contactors	LC1D3201; Electric heating 12kW, 18kW, 22kW, 230V / 400V / 440V
3	SP516648	Transformer	
4	SP571475	Frequency Inverter	440V; FR-D740-080-SC-E8
	557961	Ferrite Core	Used with frequency inverter
5	SP101416	Nut	M16
6	525935	Filter	16A
7	SPPRI401003020	Fuse Housing	2 pieces
8	SPPRI401001020	Fuse Holder	
9	SP345805005020	Fuse	5x20mm, T0.5A/250V; 1 piece
10	SP345805163032	Fuse	6.3x32mm, T1A/500V; 2 pieces
11	566549	Cover	
12	524740	Label	
13	SP101406	Bushing	M16
14	SP100388	Switch	
15	SPPRI404000095	Main Switch Knob	
16	SP101409	Bushing	M32x1.5
17	SP101419	Nut	M32
18	SP506407	Main Switch	25A; Fourth pole
	SPPRI404001098	Main Switch	32A; Fourth pole
	SPPRI404000199	Main Switch	63A; Fourth pole
19	SPPRI404000097	Main Switch	25A; used with SP506407 Main Switch Fourth Pole 25A
	SPPRI404000098	Main Switch	32A; used with SPPRI404001098 Main Switch Fourth Pole 32A
	SPPRI404000099	Main Switch	63A; used with SPPRI404001099 Main Switch Fourth Pole 63A
20	577195	Rear Panel	Assembly
21	SP547006	USB Cable	Rear panel connection; Optional
22	SP545234	Cable	RS485; With connectors
23	524714	Soap Relay Board	Used with SP528419 Pump Relay Board Flat Cable, l=1.8m long
	SP557944	Soap Link Kit	
	SP557947	External Block Signal Cable	2.8m
24	540123	Holder	

Rear Panel 400-440V (Drawing 2 of 2)

AF, IY and NY Models with G, H, J or K in 13th Position except Models with V in 7th Position



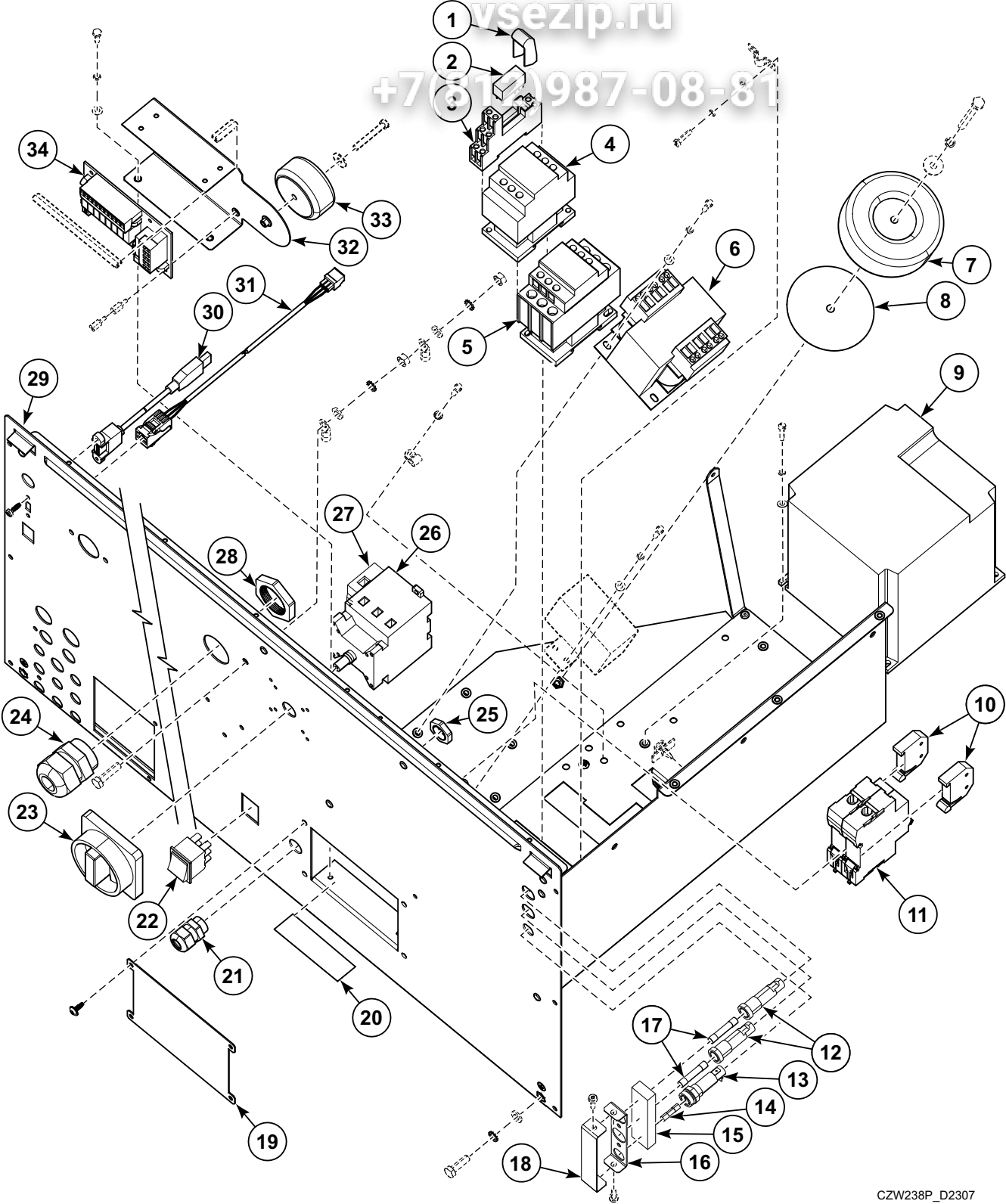
CZW309P_D2307

Rear Panel 400-440V (Drawing 2 of 2)

REF	PART NO.	DESCRIPTION	COMMENTS
1	SP309084000416	Bolt	M4x16
2	SP311127000004	Washer	4
3	SP311125000004	Washer	4.3
4	SP528392	Cable Clamp	
5	SP529206	Screw	4x11
6	SP528313	Cable Holder	
7	SP311125240006	Washer	6
8	SP311679824006	Washer	6
9	SP309933000620	Bolt	M6x20
10	SP310934000004	Nut	M4
11	SP309933100625	Bolt	M6x25
12	SP526497	Screw	4x12
13	SPPRI523000007	Washer	M4
14	SP502214	Clip	
15	SP311679800004	Washer	M4
16	SP345000165034	Cable Eye	
17	SP311125100006	Washer	
18	SP310934100006	Nut	M6
19	SPPRI505000058	Profiled Sealing	
20	SP309933000416	Bolt	M4x16
21	SP309933240408	Bolt	M4x8

Rear Panel - 230-400V CE Models with Neutral (Drawing 1 of 2)

AF, IY, JY and NY Models with V in 7th Position



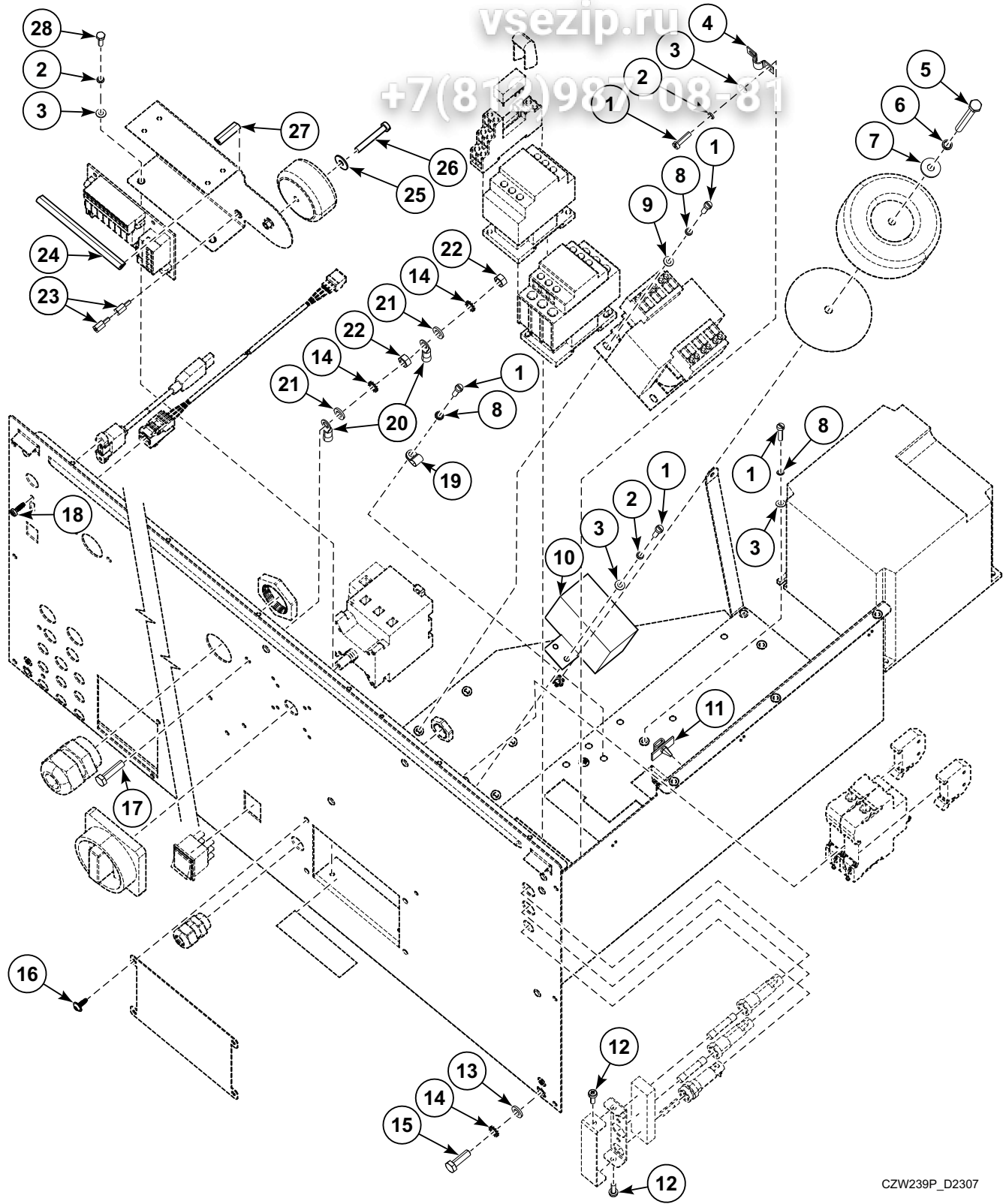
CZW238P_D2307

Rear Panel - 230-400V CE Models with Neutral (Drawing 1 of 2)

REF	PART NO.	DESCRIPTION	COMMENTS
1	SP514135	Relay Clamp	2 poles
2	SP514134	Relay	2 poles
3	SP506586	Relay Case	2 poles
4	SP514038	Contactors	LC1-D09M7; Used with frequency inverter
5	SP514038	Contactors	LC1-D09M7; Electric heating; 12kW 400V/440V
	SP514042	Contactors	LC1D18M7; Electric heating; 18kW 400V/440V
	SPPRI345002019	Contactors	LC1D3201; Electric heating; 21.9kW 230V
	SP514043	Contactors	LC1D50; Electric heating; 12kW 230V, 18kW/230V, 21.9kW 400V/440V
6	SP516648	Transformer	
7	571456	DC Choke	3.1mH; Supply 230V, 380-415V+N
8	571458	Insulation Washer	
9	SP571473	Frequency Inverter	230V/400V+N; FR-D7205-100SC-E8
	SP571475	Frequency Inverter	400V/440V; FR-D740-080-SC-E8
	557961	Ferrite Core	Used with frequency inverter
10	SP346000209101	End Stop	
11	571463	Circuit Breaker	
12	SPPRI401003020	Fuse Housing	2 pieces
13	SPPRI401001020	Fuse Holder	
14	SP345805005020	Fuse	0.5A/250V
15	570387	Self-Adhesive Profile	
16	SP554310	Fuse Holder	
17	SP345805163032	Fuse	6.3x32mm, T1A/500V; 2 pieces
18	SP554311	Fuse Cover	
19	566549	Cover	
20	570371	Label	Models with Transformer
	579019	Label	Models without Transformer
21	SP101406	Bushing	M16
22	SP100388	Switch	
23	SPPRI404000095	Main Switch Knob	
24	SP101409	Bushing	M35x1.5
25	SP101416	Nut	M16
26	SPPRI404000097	Main Switch	25A; Used with SP506407 Main Switch; Fourth pole 25A
	SPPRI404000098	Main Switch	32A; Used with SPPRI404001098 Main Switch; Fourth pole 32A
	SPPRI404000099	Main Switch	63A; Used with SPPRI404001099 Main Switch; Fourth pole 63A
27	SP506407	Main Switch	Fourth Pole; 25A
	SPPRI404001098	Main Switch	Fourth Pole; 32A
	SPPRI404001099	Main Switch	Fourth Pole; 63A
28	SP101419	Nut	M32
29	567982	Rear Panel Assembly	
30	SP547006	USB Cable	Rear panel connection; Optional
31	SP545234	Cable	RS485; With connectors
32	570382	Holder	
33	564561	Transformer	With transformer
	579014	Transformer Kit	Models without transformer
34	553187	Soap Relay Board	Used with 569738 Pump Relay Board Flat Cable

Rear Panel - 230-400V CE Models with Neutral (Drawing 2 of 2)

AF, IY, JY and NY Models with V in 7th Position



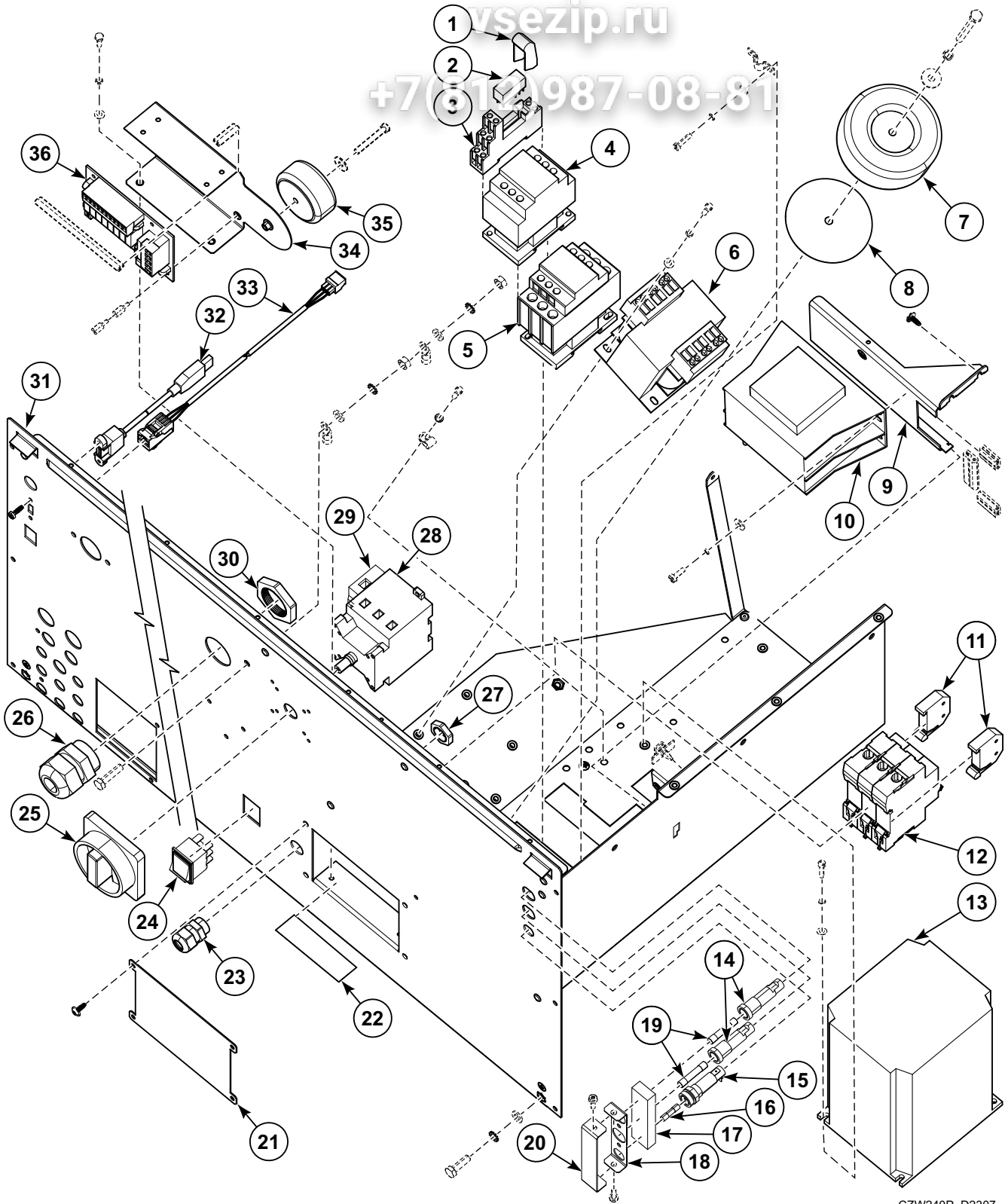
CZW239P_D2307

Rear Panel - 230-400V CE Models with Neutral (Drawing 2 of 2)

REF	PART NO.	DESCRIPTION	COMMENTS
1	SP309084000416	Bolt	M4x16
2	SP311127000004	Washer	4
3	SP311125000004	Washer	4.3
4	SPPRI407000091	Cable Sleeve	
5	SP309933000660	Bolt	M6x60
6	SP311127000006	Washer	6
7	SP311902100006	Washer	6
8	SP311679800004	Washer	M4
9	SP311125000004	Washer	4.3
10	568380	Filter	20A/250V
11	SP528313	Cable Holder	
12	SP555504	Bolt	
13	SP311125240006	Washer	6
14	SP311679824006	Washer	6
15	SP309933000620	Bolt	M6x20
16	SP529206	Screw	4x11
17	SP309933100625	Bolt	M6x25
18	SP526497	Screw	4x12
19	SP502214	Clip	
20	SP345000165034	Cable Eye	
21	SP311125100006	Washer	6
22	SP310934100006	Nut	M6
23	570381	Hex Pillar	M3
24	SPPRI505000058	Profiled Sealing	0.105m
25	SP505430	Washer	5
26	SP309084000535	Bolt	M5x35
27	SPPRI505000058	Profiled Sealing	0.025m
28	SP309933240412	Bolt	M4x12

Rear Panel - 400-440V CE Models (Drawing 1 of 2)

AF, IY, JY and NY Models with V in 7th Position



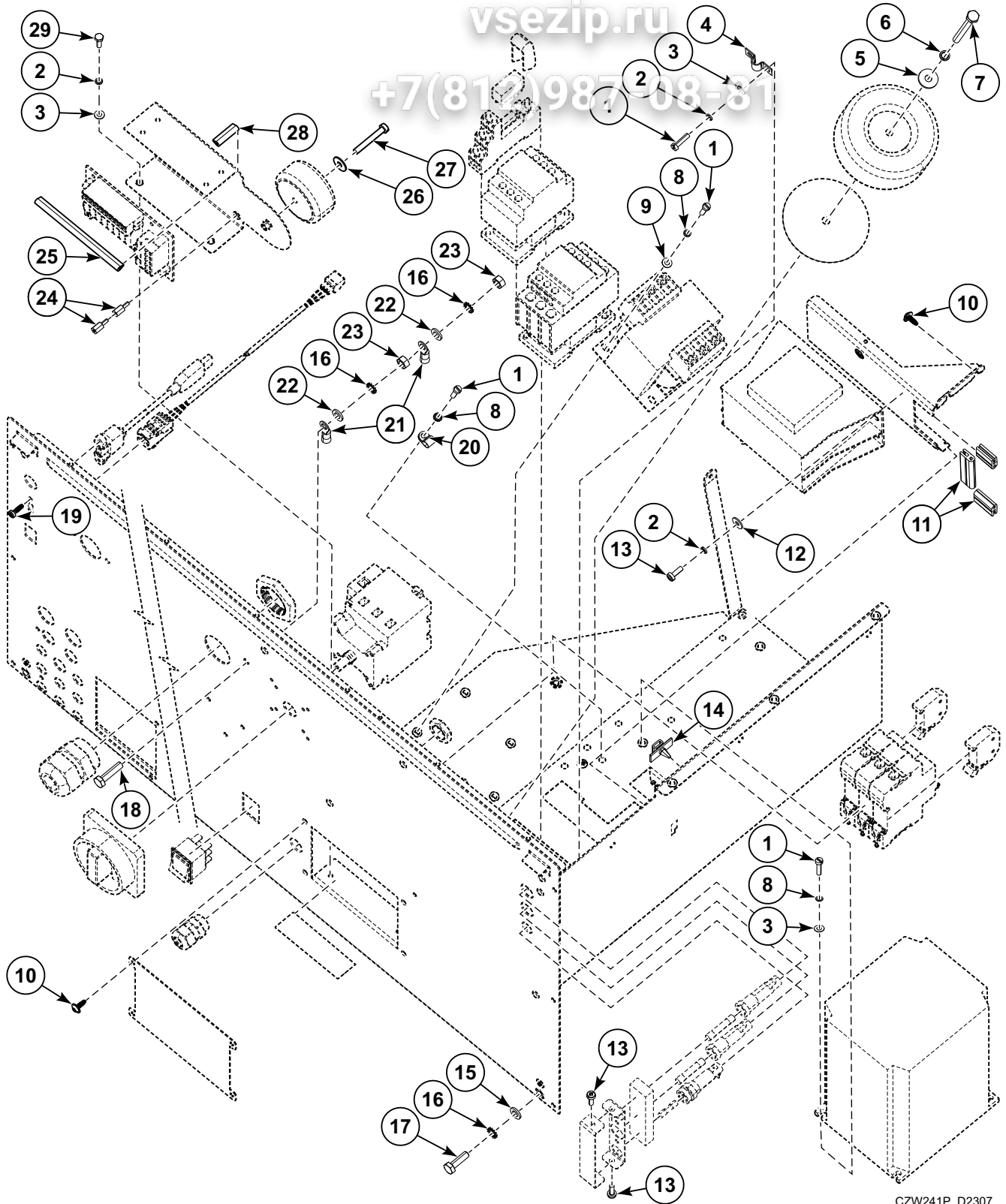
CZW240P_D2307

Rear Panel - 400-440V CE Models (Drawing 1 of 2)

REF	PART NO.	DESCRIPTION	COMMENTS
1	SP514135	Relay Clamp	2 poles
2	SP514134	Relay	2 poles
3	SP506586	Relay Case	2 poles
4	SP514038	Contactors	LC1-D09M7; Used with frequency inverter
5	SP514038	Contactors	LC1-D09M7; Electric heating; 12kW 400V/440V
	SP514042	Contactors	LC1D18M7; Electric heating; 18kW 400V/440V
	SPPRI345002019	Contactors	LC1D3201; Electric heating; 21.9kW 230V
	SP514043	Contactors	LC1D50; Electric heating; 12kW 230V, 18kW/230V, 21.9kW 400V/440V
6	SP516648	Transformer	
7	571457	DC Choke	8.8mH; Supply 400V, 440-480V without N
8	571458	Insulation Washer	
9	572126	Filter Holder	Used with SP313251002104 Nut
10	SP557932	Frequency Inverter Filter	3x400V
11	SP346000209101	End Stop	
12	571464	Circuit Breaker	
13	SP571475	Frequency Inverter	440V; FR-D740-080-SC-E8
	557961	Ferrite Core	Used with frequency inverter
14	SPPRI401003020	Fuse Housing	2 pieces
15	SPPRI401001020	Fuse Holder	
16	SP345805005020	Fuse	0.5A/250V
17	570387	Self-Adhesive Profile	
18	SP554310	Fuse Holder	
19	SP345805163032	Fuse	6.3x32mm, T1A/500V; 2 pieces
20	SP554311	Fuse Cover	
21	566549	Cover	
22	570371	Label	Models with Transformer
	579019	Label	Models without Transformer
23	SP101406	Bushing	M16
24	SP100388	Switch	
25	SPPRI404000095	Main Switch Knob	
26	SP101409	Bushing	M35x1.5
27	SP101416	Nut	M16
	SPPRI404000097	Main Switch	25A; Used with SP506407 Main Switch; Fourth pole 25A
	SPPRI404000098	Main Switch	32A; Used with SPPRI404001098 Main Switch; Fourth pole 32A
28	SPPRI404000099	Main Switch	63A; Used with SPPRI404001099 Main Switch; Fourth pole 63A
	SP506407	Main Switch	Fourth Pole; 25A
	SPPRI404001098	Main Switch	Fourth Pole; 32A
29	SPPRI404001099	Main Switch	Fourth Pole; 63A
	SP101419	Nut	M32
30	567982	Rear Panel Assembly	
31	SP547006	USB Cable	Rear panel connection; Optional
32	SP545234	Cable	RS485; With connectors
33	570382	Holder	
34	564561	Transformer	With transformer
	579014	Transformer Kit	Models without transformer
35	553187	Soap Relay Board	Used with 569738 Pump Relay Board Flat Cable

Rear Panel 400-440V CE Models (Drawing 2 of 2)

AF, IY, JY and NY Models with V in 7th Position



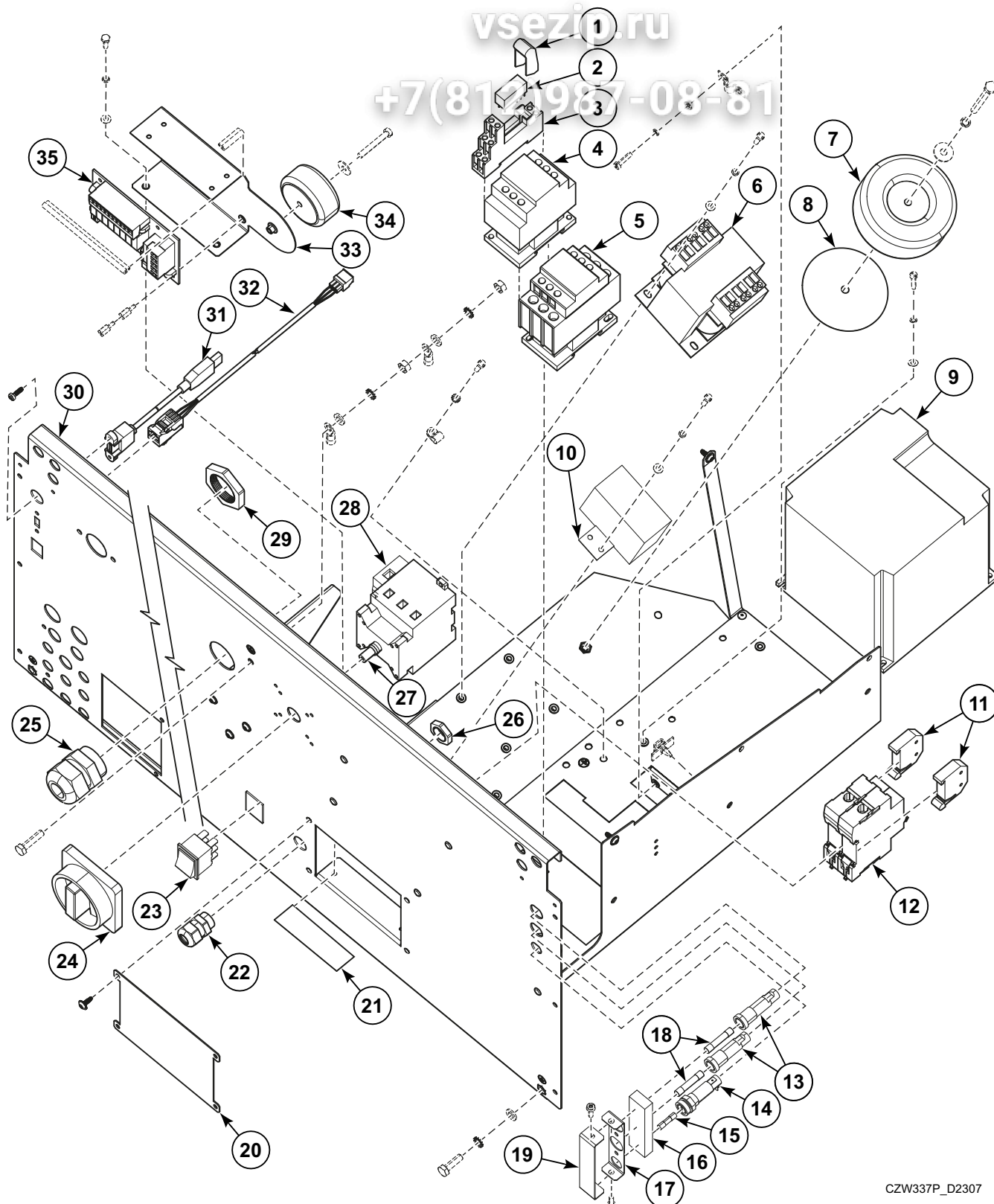
CZW241P_D2307

Rear Panel 400-440V CE Models (Drawing 2 of 2)

REF	PART NO.	DESCRIPTION	COMMENTS
1	SP309084000416	Bolt	M4x16
2	SP311127000004	Washer	4
3	SP311125000004	Washer	4.3
4	SPPRI407000091	Cable Sleeve	
5	SP311902100006	Washer	6
6	SP311127000006	Washer	6
7	SP309933000660	Bolt	M6x60
8	SP311679800004	Washer	M4
9	SP311125000004	Washer	4.3
10	SP529206	Screw	4x11
11	SP529068	Edge Protection	
12	SP311902100004	Washer	4
13	SP555504	Bolt	
14	SP528313	Cable Holder	
15	SP311125240006	Washer	6
16	SP311679824006	Washer	6
17	SP309933000620	Bolt	M6x20
18	SP309933100625	Bolt	M6x25
19	SP526497	Screw	4x12
20	SP502214	Clip	
21	SP345000165034	Cable Eye	
22	SP311125100006	Washer	6
23	SP310934100006	Nut	M6
24	570381	Hex Pillar	M3
25	SPPRI505000058	Profiled Sealing	0.105m
26	SP505430	Washer	5
27	SP309084000535	Bolt	M5x35
28	SPPRI505000058	Profiled Sealing	0.025m
29	SP309933240412	Bolt	M4x12

Rear Panel - 230-400V CE Models with Neutral (Drawing 1 of 2)

FX and PY Models with V in 7th Position



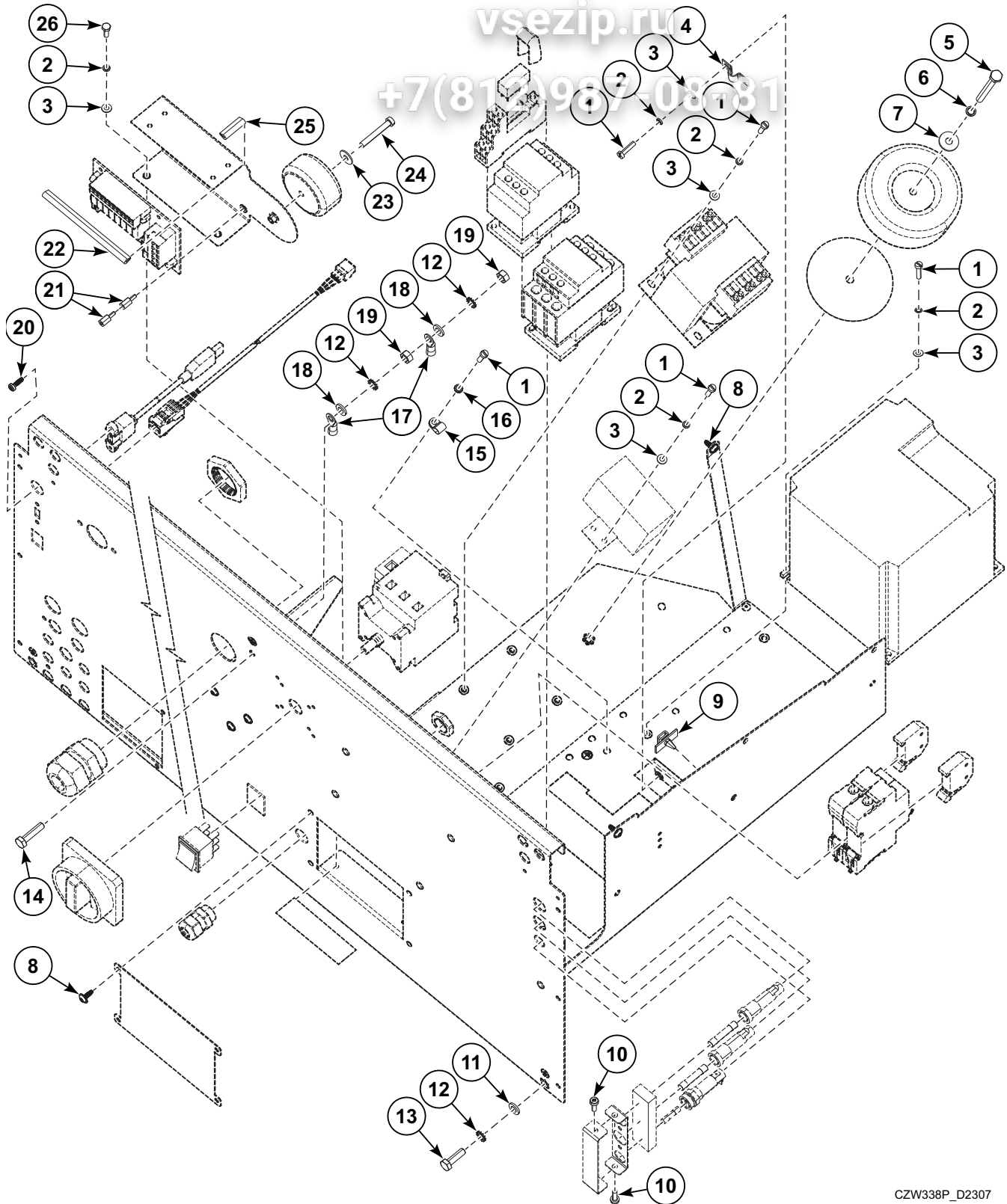
CZW337P_D2307

Rear Panel - 230-400V CE Models with Neutral (Drawing 1 of 2)

REF	PART NO.	DESCRIPTION	COMMENTS
	570317	Liquid Detergents	Assembly includes items from (Drawing 1 of 2) 21, 22, 26, 33-35, 569/38 Pump Relay Board Flat Cable and items from (Drawing 2 of 2) 2, 3 and 21 - 26
1	SP514135	Relay Clamp	2 poles
2	SP514134	Relay	2 poles
3	SP506586	Relay Case	2 poles
4	SP514038	Contactors	LC1-D09M7; Used with frequency inverter
5	SP514038	Contactors	LC1-D09M7; Electric heating; 12kW 400V/440V
	SP514042	Contactors	LC1D18M7; Electric heating; 18kW 400V/440V
	SPPRI345002019	Contactors	LC1D3201; Electric heating; 21.9kW 230V
	SP514043	Contactors	LC1D50; Electric heating; 12kW 230V, 18kW/230V, 21.9kW 400V/440V
6	SP516648	Transformer	
7	571456	DC Choke	3.1mH; Supply 230V / 400V+N
8	571458	Insulation Washer	
9	SP571473	Frequency Inverter	230V/400V+N; FR-D720S-100SC-E8; 2.2kW
	SP571475	Frequency Inverter	400V/440V; FR-D740-080-SC-E8; 3.7kW
	557961	Ferrite Core	Used with frequency inverter
10	568380	Filter	20A 250V
11	SP346000209101	End Stop	
12	571463	Circuit Breaker	16A
13	SPPRI401003020	Fuse Housing	2 pieces
14	SPPRI401001020	Fuse Holder	
15	SP345805005020	Fuse	0.5A/250V
16	570387	Self-Adhesive Profile	
17	SP554310	Fuse Holder	
18	SP345805163032	Fuse	6.3x32mm, T1A/500V; 2 pieces
19	SP554311	Fuse Cover	
20	566549	Cover	
	570371	Label	Models with Transformer
21	579019	Label	Models without Transformer
	SP101406	Bushing	M16
22	SP100388	Switch	
24	SPPRI404000095	Main Switch Knob	
25	SP101409	Bushing	M35x1.5
26	SP101416	Nut	M16
	SPPRI404000097	Main Switch	25A; Used with SP506407 Main Switch; Fourth pole 25A
	SPPRI404000098	Main Switch	32A; Used with SPPRI404001098 Main Switch; Fourth pole 32A
27	SPPRI404000099	Main Switch	63A; Used with SPPRI404001099 Main Switch; Fourth pole 63A
	SP506407	Main Switch	Fourth Pole; 25A
	SPPRI404001098	Main Switch	Fourth Pole; 32A
28	SPPRI404001099	Main Switch	Fourth Pole; 63A
	SP101419	Nut	M32
29	SP101419	Nut	M32
30	574200	Rear Panel	
31	SP547006	USB Cable	Rear panel connection; Optional
32	SP545234	Cable	RS485; With connectors
33	570382	Holder	
34	564561	Transformer	With transformer
	579014	Transformer Kit	Models without transformer
35	553187	Soap Relay Board	Used with 569738 Pump Relay Board Flat Cable

Rear Panel - 230-400V CE Models with Neutral (Drawing 2 of 2)

FX and PY Models with V in 7th Position



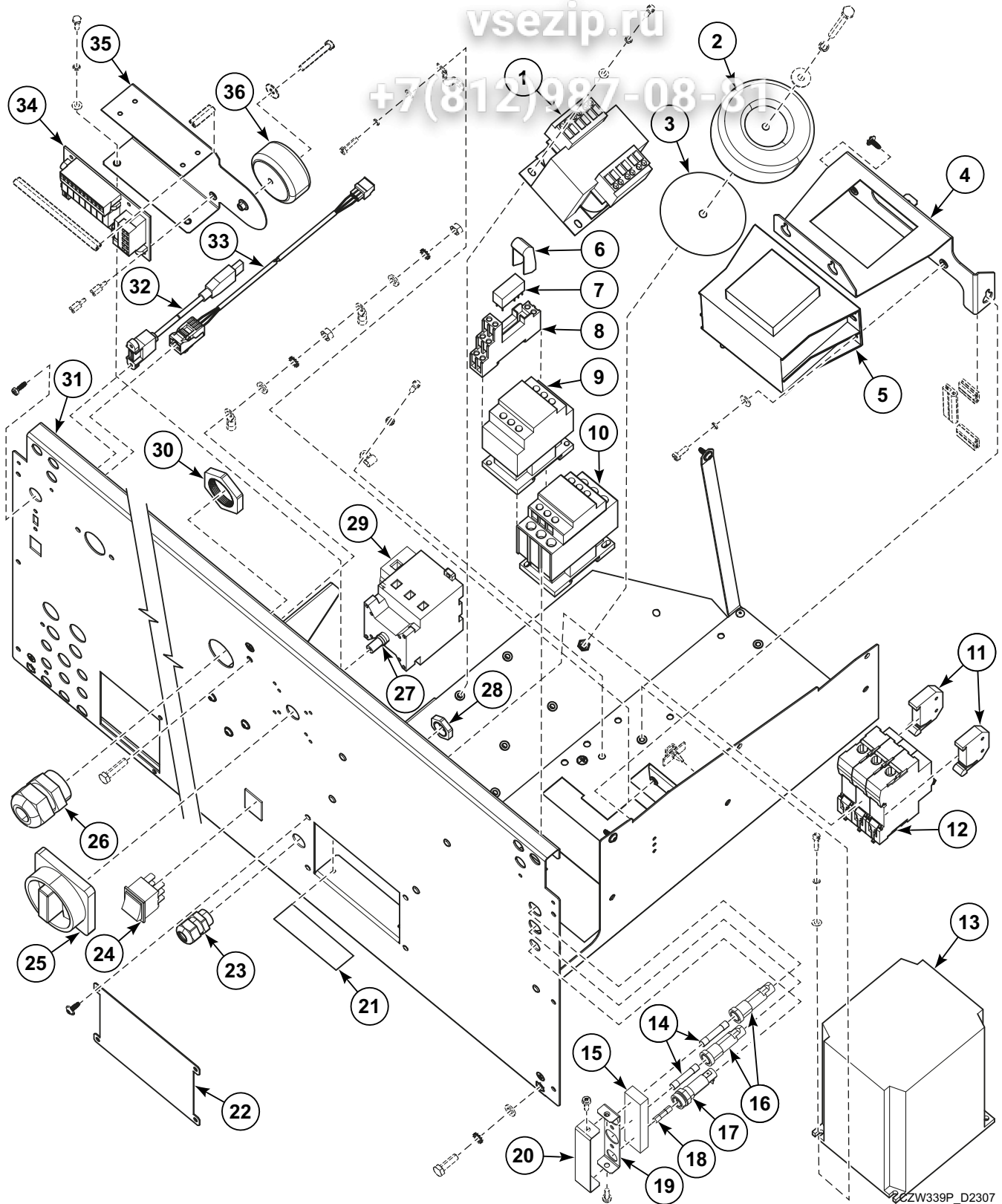
CZW338P_D2307

Rear Panel - 230-400V CE Models with Neutral (Drawing 2 of 2)

REF	PART NO.	DESCRIPTION	COMMENTS
1	SP309084000416	Bolt	M4x16
2	SP311127000004	Washer	4
3	SP311125000004	Washer	4.3
4	SPPRI407000091	Cable Sleeve	
5	SP309933000660	Bolt	M6x60
6	SP311127000006	Washer	6
7	SP311902100006	Washer	6
8	SP529206	Screw	4x11
9	SP528313	Cable Holder	
10	SP555504	Bolt	
11	SP311125240006	Washer	6
12	SP311679824006	Washer	6
13	SP309933000620	Bolt	M6x20
14	SP309933100625	Bolt	M6x25
15	SP502214	Clip	
16	SP311679800004	Washer	M4
17	SP345000165034	Cable Eye	
18	SP311125100006	Washer	6
19	SP310934100006	Nut	M6
20	SP526497	Screw	4x12
21	570381	Hex Pillar	M3
22	SPPRI505000058	Profiled Sealing	0.105m
23	SP505430	Washer	5
24	SP309084000535	Bolt	M5x35
25	SPPRI505000058	Profiled Sealing	0.025m
26	SP309933240412	Bolt	M4x12

Rear Panel - 400V 440-480V GE Models (Drawing 1 of 2)

FX and PY Models with V in 7th Position



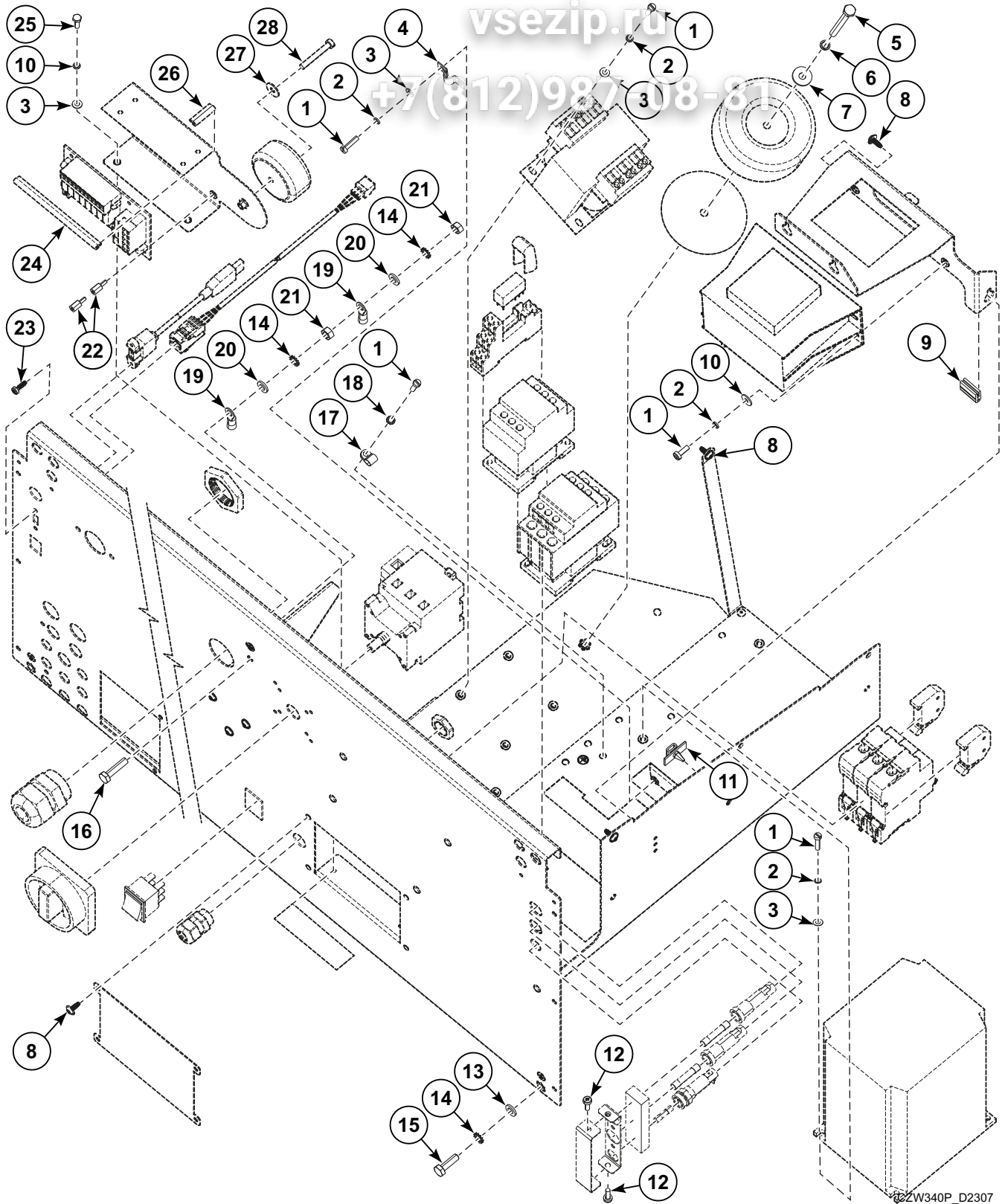
Rear Panel - 400V 440-480V GE Models (Drawing 1 of 2)

REF	PART NO.	DESCRIPTION	COMMENTS
	570317	Liquid Detergents	Assembly includes items from (Drawing 1 of 2) 21, 23, 28, 34-36, 569738 Pump Relay Board Flat Cable and items from (Drawing 2 of 2) 3, 10, 22 and 24-28
1	SP516648	Transformer	
2	571457	DC Choke	8.3mH; Supply 400V / 440V
3	571458	Insulation Washer	
4	574850	Filter Holder	Used with SP313251002104 Nut
5	SP557932	Frequency Inverter Filter	3x400V
6	SP514135	Relay Clamp	2 poles
7	SP514134	Relay	2 poles
8	SP506586	Relay Case	2 poles
9	SP514038	Contactors	LC1-D09M7
10	SP514038	Contactors	LC1-D09M7; Electric heating; 12kW 400V/440V
	SP514042	Contactors	LC1D18M7; Electric heating; 18kW 400V/440V
	SPPRI345002019	Contactors	LC1D3201; Electric heating; 21.9kW 230V
11	SP346000209101	End Stop	
12	571464	Circuit Breaker	10A
13	SP571475	Frequency Inverter	440V; FR-D740-080-SC-E8
	557961	Ferrite Core	Used with frequency inverter
14	SP345805163032	Fuse	6.3x32mm, T1A/500V; 2 pieces
15	570387	Self-Adhesive Profile	
16	SPPRI401003020	Fuse Housing	2 pieces
17	SPPRI401001020	Fuse Holder	
18	SP345805005020	Fuse	0.5A/250V
19	SP554310	Fuse Holder	
20	SP554311	Fuse Cover	
21	570371	Label	Models with Transformer
	579019	Label	Models without Transformer
22	566549	Cover	
23	SP101406	Bushing	M16
24	SP100388	Switch	
25	SPPRI404000095	Main Switch Knob	
26	SP101409	Bushing	M35x1.5
27	SPPRI404000097	Main Switch	25A; Used with SP506407 Main Switch; Fourth pole 25A
	SPPRI404000098	Main Switch	32A; Used with SPPRI404001098 Main Switch; Fourth pole 32A
	SPPRI404000099	Main Switch	63A; Used with SPPRI404001099 Main Switch; Fourth pole 63A
28	SP101416	Nut	M16
29	NA	Main Switch	Fourth Pole; 25A
	NA	Main Switch	Fourth Pole; 32A
	NA	Main Switch	Fourth Pole; 63A
30	SP101419	Nut	M32
31	574200	Rear Panel Assembly	
32	SP547006	USB Cable	Rear panel connection; Optional
33	SP545234	Cable	RS485; With connectors
34	553187	Soap Relay Board	Used with 569738 Pump Relay Board Flat Cable
35	570382	Holder	
36	564561	Transformer	With transformer
	579014	Transformer Kit	Models without transformer

N/A = Part no longer available

Rear Panel 400V 440-430V CE Models (Drawing 2 of 2)

FX and PY Models with V in 7th Position

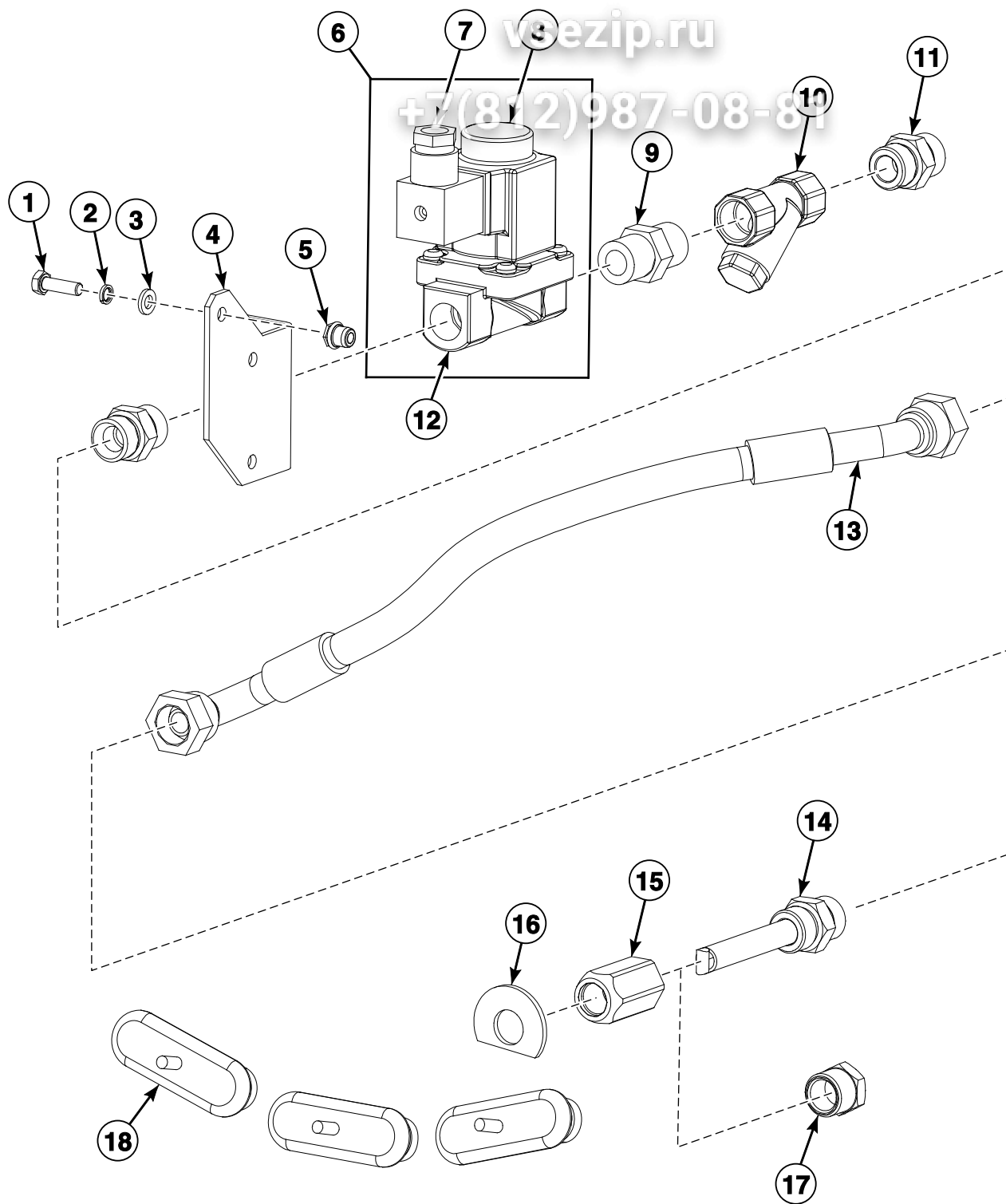


02ZW340P_D2307

Rear Panel 400V 440-480V CE Models (Drawing 2 of 2)

REF	PART NO.	DESCRIPTION	COMMENTS
1	SP309084000416	Bolt	M4x16
2	SP311127000004	Washer	4
3	SP311125000004	Washer	4 3
4	SPPRI407000091	Cable Sleeve	
5	SP309933000660	Bolt	M6x60
6	SP311127000006	Washer	6
7	SP311902100006	Washer	6
8	SP529206	Screw	4x11
9	SP529068	Edge Protection	0.014m
10	SP311902100004	Washer	4
11	SP528313	Cable Holder	
12	SP555504	Bolt	M4x12
13	SP311125240006	Washer	6
14	SP311679824006	Washer	6
15	SP309933000620	Bolt	M6x20
16	SP309933100625	Bolt	M6x25
17	SP502214	Clip	
18	SP311679800004	Washer	M4
19	SP345000165034	Cable Eye	
20	SP311125100006	Washer	6
21	SP310934100006	Nut	M6
22	570381	Hex Pillar	M3
23	SP526497	Screw	4x12
24	SPPRI505000058	Profiled Sealing	0.105m
25	SP309933240412	Bolt	M4x12
26	SPPRI505000058	Profiled Sealing	0.025m
27	SP505430	Washer	5
28	SP309084000535	Bolt	M5x35

Steam Heating - All Models Except Models with V in 7th Position



CFD2852P_D2307

Steam Heating - All Models Except Models with V in 7th Position

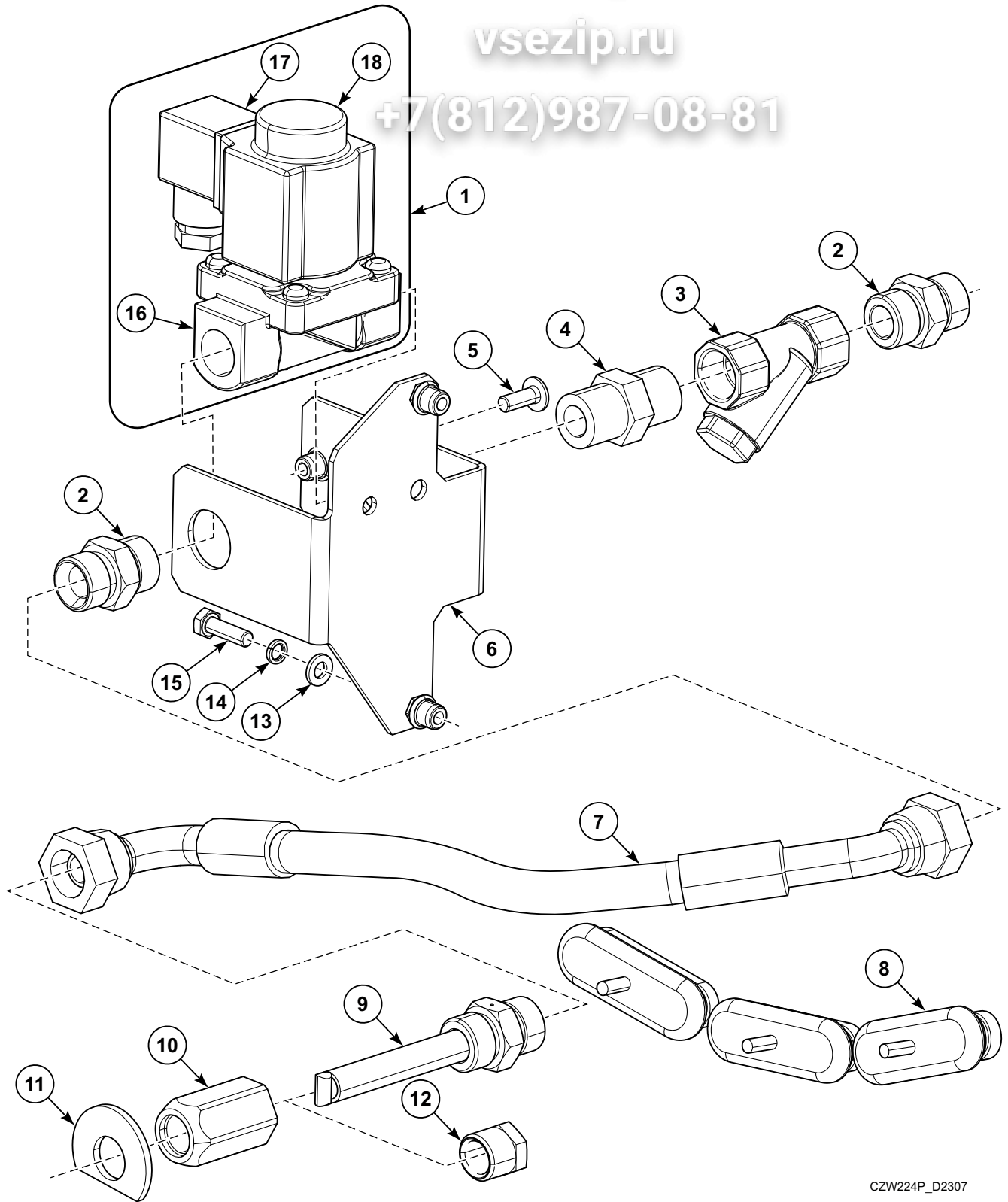
REF	PART NO.	DESCRIPTION	COMMENTS
	SP526564	Seal	
	SP101403	Adhesive	Loctite 5366
	SP245704000603	Adhesive	Loctite 603
	SP554340	Steam Kit	
1	SP309933000620	Bolt	M6x20
2	SP311127000006	Washer	6
3	SP311125000006	Washer	6.4
4	SP547873	Steam Valve Support	
5	SP313251000006	Nut	M6
6	SP514164	Steam Valve	1/2 inch
7	SP554156	Connector	
8	SP554110	Coil	50/60Hz
9	SP319428324012	Adapter	1/2 inch
10	SP405054120215	Steam Filter	1/2 inch
11	SPR22112000114	Pipe Nipple	1/2 inch
12	SP514165	Steam Valve Body	
13	SP526528	Steam Hose	1/2 inch l=520mm
14	SP526525	Steam Injector	
15	SP547968	Adapter	G3/8 inch / G1/2 inch
16	SP547981	Washer	
17	SPPRI426001268	Plug	1/2 inch; Prep for electric and steam heat
18	SPPRI342001016	Heating Element Hole Plug	

Steam Heating - Models with V in 7th Position

Всё Общедоступно

vsezip.ru

+7(812)987-08-81



CZW224P_D2307

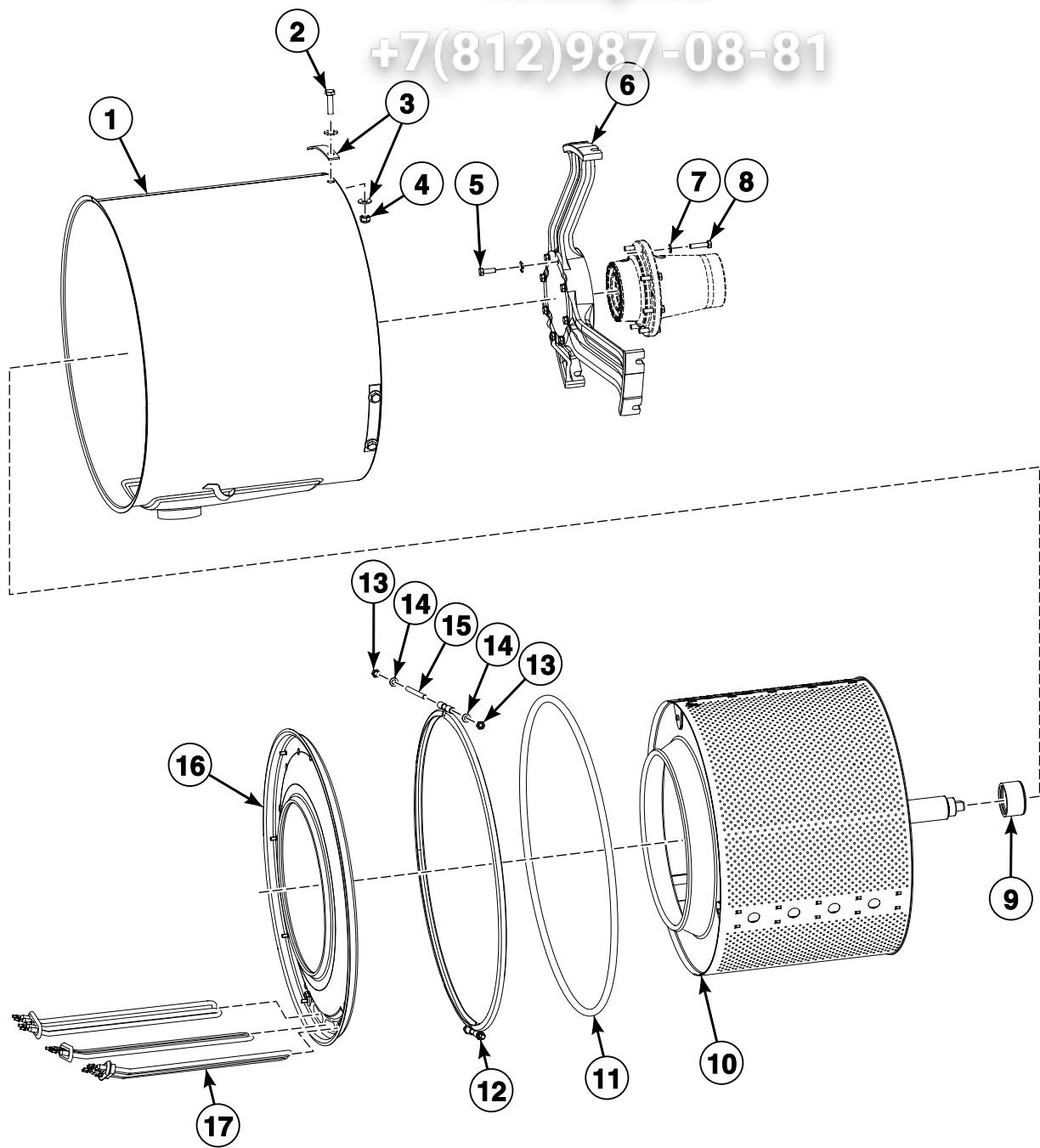
Steam Heating - Models with V in 7th Position

REF	PART NO.	DESCRIPTION	COMMENTS
	555355	Steam Kit	
	SP526564	Seal	
	SP101403	Adhesive	Loctite 5366
	SP245704000603	Adhesive	Loctite 603
1	SP514164	Steam Valve	1/2 inch
2	SPR22112000114	Pipe Nipple	1/2 inch
3	SP405054120215	Steam Filter	1/2 inch
4	SP319428324012	Adapter	1/2 inch
5	SP555658	Bolt	M6x16
6	SP547873	Steam Valve Support	Used with SP313251000006 Nut
7	SP526528	Steam Hose	1/2 inch, l=520mm
8	SPPRI342001016	Heating Element Hole Plug	
9	SP526525	Steam Injector	
10	SP547968	Adapter	G3/8 inch / G1/2 inch
11	SP547981	Washer	
12	SPPRI426001268	Plug	1/2 inch; Prep for electric and steam heat
13	SP311125000006	Washer	6
14	SP311127000006	Washer	6
15	SP309933000620	Bolt	M6x20
16	SP514165	Steam Valve Body	
17	SP554156	Connector	
18	SP554110	Coil	50/60Hz

Washing Drum and Tub - All Models Except Models with V in 7th Position

vsezip.ru

+7(812)987-08-81

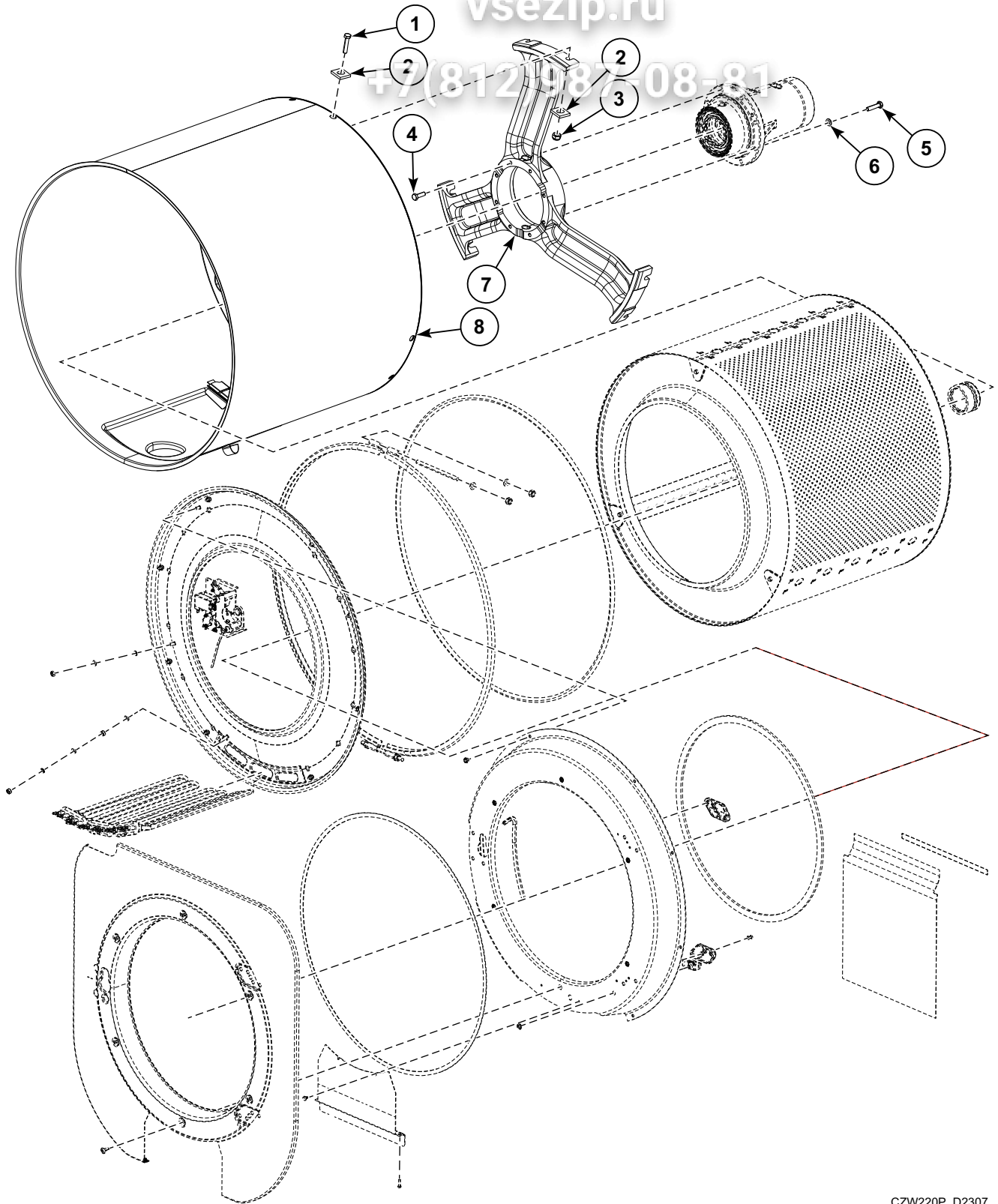


CFD2742P_D2307

Washing Drum and Tub - All Models Except Models with V in 7th Position

REF	PART NO.	DESCRIPTION	COMMENTS
	SP245704003021	Adhesive	Loctite 243; Used with bolt
	SP245704000050	Adhesive	
	SPPRI704000053	Sealant	
	SP510889	Anticorrosive Agent	
1	SP537837	External Tub	Steam heating
	SP537922	External Tub	Electric heating
	567160	External Tub	FX, IY, PY, SY and UY models; Steam heating; Wet cleaning with built-in recirculation pump; CE and Watermark
	572496	External Tub	Used with 2 drain valves and steam heating
	567200	External Tub	FX, IY, PY, SY and UY models; Electric heating; Wet cleaning with built-in recirculation pump; CE and Watermark
	572497	External Tub	Used with 2 drain valves and electric heating
2	SP309933001250	Bolt	M12x50
3	SP537898	Washer	
4	SP310985000012	Nut	M12
5	SP309933241035	Bolt	M10x35
6	SP537824	Cross Piece	
7	SP311125000013	Washer	M12
8	SP309933001235	Bolt	M12x35
9	SP552982	Shaft Ring	
10	537830P	Washing Drum	Includes item 9; Cascade
	563248	Washing Drum	Normal spin; 7mm perforation; Includes item 9
	SP563268	Washing Drum	AF, IY and NY models with "G", "H", "J" or "K" in 13th Position; Includes item 9; Flat
11	SP537821	Seal	d10-2550mm
12	SP537822	Clamp	
13	SP310934240008	Nut	M8
14	SP311125240008	Washer	M8
15	SPF02119000415	Bolt	M8
16	SP537819	External Tub Front Plate	
17	SP540127	Heating Element	2 x 2000W, l=470mm
	SP540132	Heating Element	2 x 3000W, l=470mm

Washing Drum and Tub - Models with V in 7th Position (Drawing 1 of 2)



CZW220P_D2307

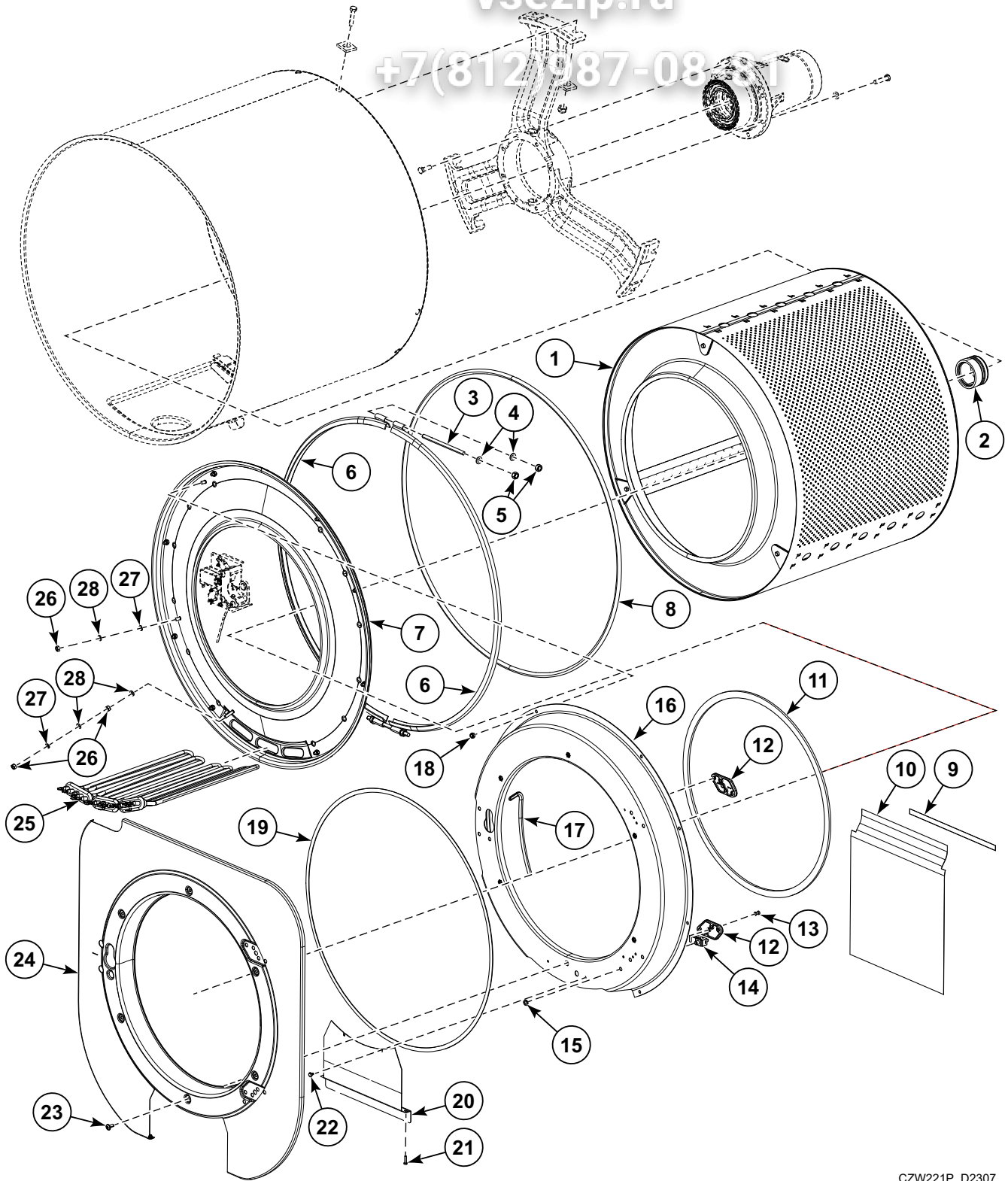
Washing Drum and Tub - Models with V in 7th Position (Drawing 1 of 2)

REF	PART NO.	DESCRIPTION	COMMENTS
1	SP309933001250	Bolt	M12x50
2	SP537898	Washer	
3	SP310985000012	Nut	M12
4	SP309933241035	Bolt	M10x35
5	SP309933001235	Bolt	M12x35
6	SP311125000013	Washer	12
7	SP537824	Cross Piece	
8	SP537837	External Tub	
	SP537922	External Tub	Electric heating

Washing Drum and Tub - Models with V in 7th Position (Drawing 2 of 2)

vsezip.ru

+7(812)987-0831



CZW221P_D2307

Washing Drum and Tub - Models with V in 7th Position (Drawing 2 of 2)

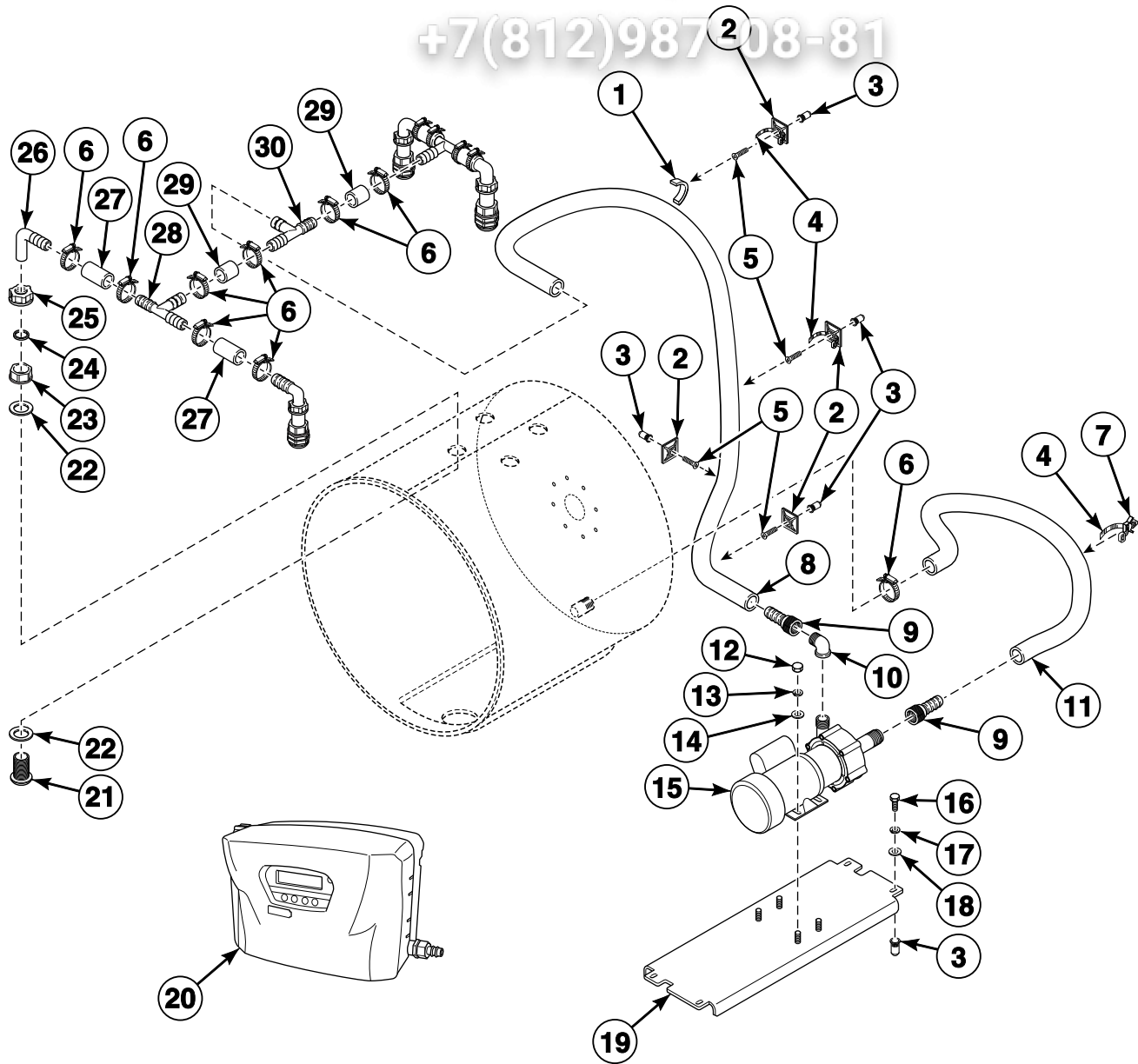
REF	PART NO.	DESCRIPTION	COMMENTS
1	SP563268	Washing Drum	Includes item 2; Flat
	537830P	Washing Drum	Includes item 2; Cascade
	563248	Washing Drum	7mm perforation; Includes item 2
2	SP552982	Shaft Ring	
3	SPF02119000415	Bolt	M8
4	SP311125240008	Washer	M8
5	SP310934240008	Nut	M8
6	SP537822	Clamp	
7	SP571608	External Tub Front Plate	
8	SP537821	Seal	d10-2550mm
9	SP537896	Adhesive	
10	568937	Heating Element Cover	
11	SP510986	Seal	l=1.5m
12	SP537849	Hinge Spacer	
13	SP547779	Rivet	4x16.7
14	571634	Microswitch	
15	571635	Nut	M10
16	568931	Door Lock Holder	
17	SPPRI505000058	Profiled Sealing	
18	SP310985000006	Nut	M8
19	SP284000012003	Tape	
20	568987	Heating Element Front Cover	Stainless
	SP563275	Heating Element Front Cover	Black
21	SP309084000416	Bolt	M4x16
22	SP537856	Connector	
23	SP537854	Bolt	M6x14
24	571726	Front Panel	Stainless
	571723	Front Panel	Black
25	SP540127	Heating Element	2x2000W, l=470mm
	SP540132	Heating Element	2x3000W, l=470mm
26	SP310934240006	Nut	M6
27	SP311679800006	Washer	6
28	SP311125240006	Washer	6

Soft Wash - With Built-In Recirculation Pump

Except Models with V in 7th Position

vsezip.ru

+7(812)98708-81



CZW72P_D2307

Soft Wash - With Built-In Recirculation Pump

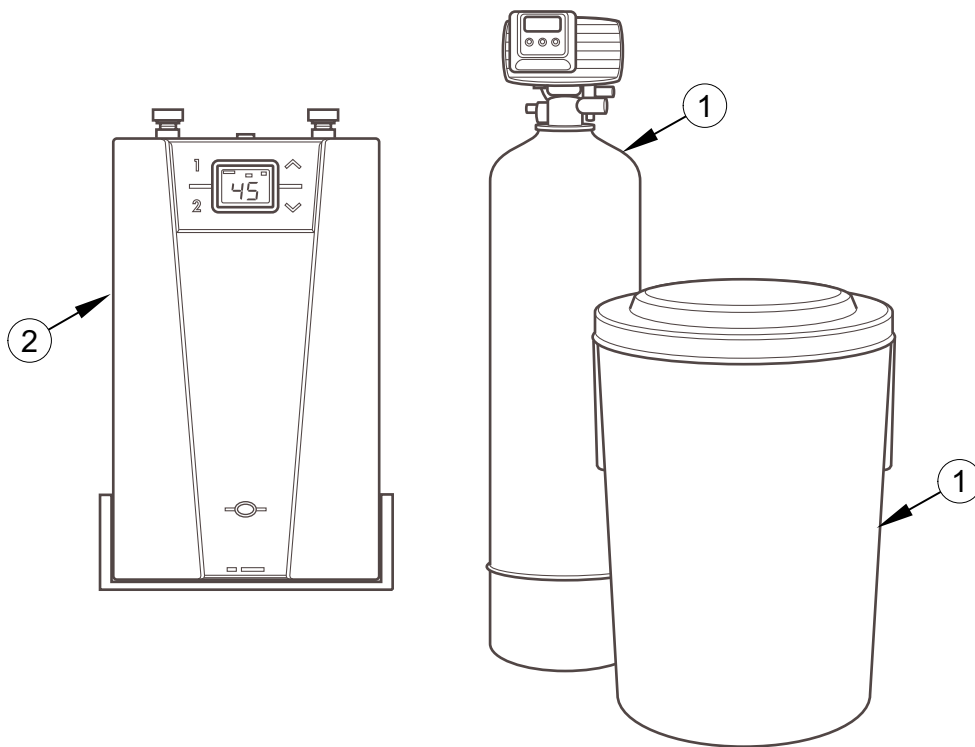
REF	PART NO.	DESCRIPTION	COMMENTS
	SP562749	Water Heater	6kW; 50/60Hz; 230V; Optional
	SP562736	Water Heater	8.8kW; 50/60Hz; 230V; Optional
	SP562737	Water Softener	AMVE 505; Optional
	SP562750	Water Softener	AMVE 505; Optional
	SP510971	Adhesive	Loctite 55
	SP245704005331	Adhesive	Loctite 5331
1	564202	Seal	6x15mm
2	SPPRI350003050	Adhesive Fixing Index Plate	Models through 11 March 2021
3	SP510929	Nut	M4; Models through 11 March 2021
4	SP503817	Binding Strip	178 x 4.8
5	SP309965240408	Bolt	M4x8; Models through 11 March 2021
6	SPPRI240000003	Hose Clamp	20-32
7	SP528313	Cable Holder	
8	567180	Hose Pharmasteel	25/33; l=1.89m
9	567152	Thorn	25-IG10; Includes sleeve nut
10	567181	Elbow	Inner / external thread G1 inch; 90 degree
11	567180	Hose Pharmasteel	25/33; 0.9m
12	SP310934000006	Nut	M6
13	SP311127000006	Washer	6
14	SP311902100006	Washer	6
15	567076	Pump	NH 200 PS
16	SP309933000416	Bolt	M4x16
17	SP311127000004	Washer	4
18	SP311902100004	Washer	4
19	567122	Pump Board	
20	SP567105	Soap Pump Kit	Four pumps; Includes suction hoses and tubes
	SP567106	Soap Pump Kit	Six pumps; Includes suction hoses and tubes
21	567167	Drain Jet	3/4 inch
22	567168	O-Ring	Flat; 40x27x 2.5
23	567166	Nut	Flat; 3/4 inch; Sleeve
24	567169	O-Ring	Flat; 17x24x2.5
25	567170	Nut	3/4 inch; Sleeve
26	567171	Hose End	90 degree
27	SPPRI540001019	Hose	19/27; l=0.08m
28	567172	T-Part	20; PE coupling
29	SPPRI540001019	Hose	19/27; l=0.06m
30	567173	Hose Coupling	T3/4 x 1 inch

Soft Wash - Without Built-in Recirculation Pump

Всёобщение

vsezip.ru

+7(812)987-08-81



C-CZW57P_D2307

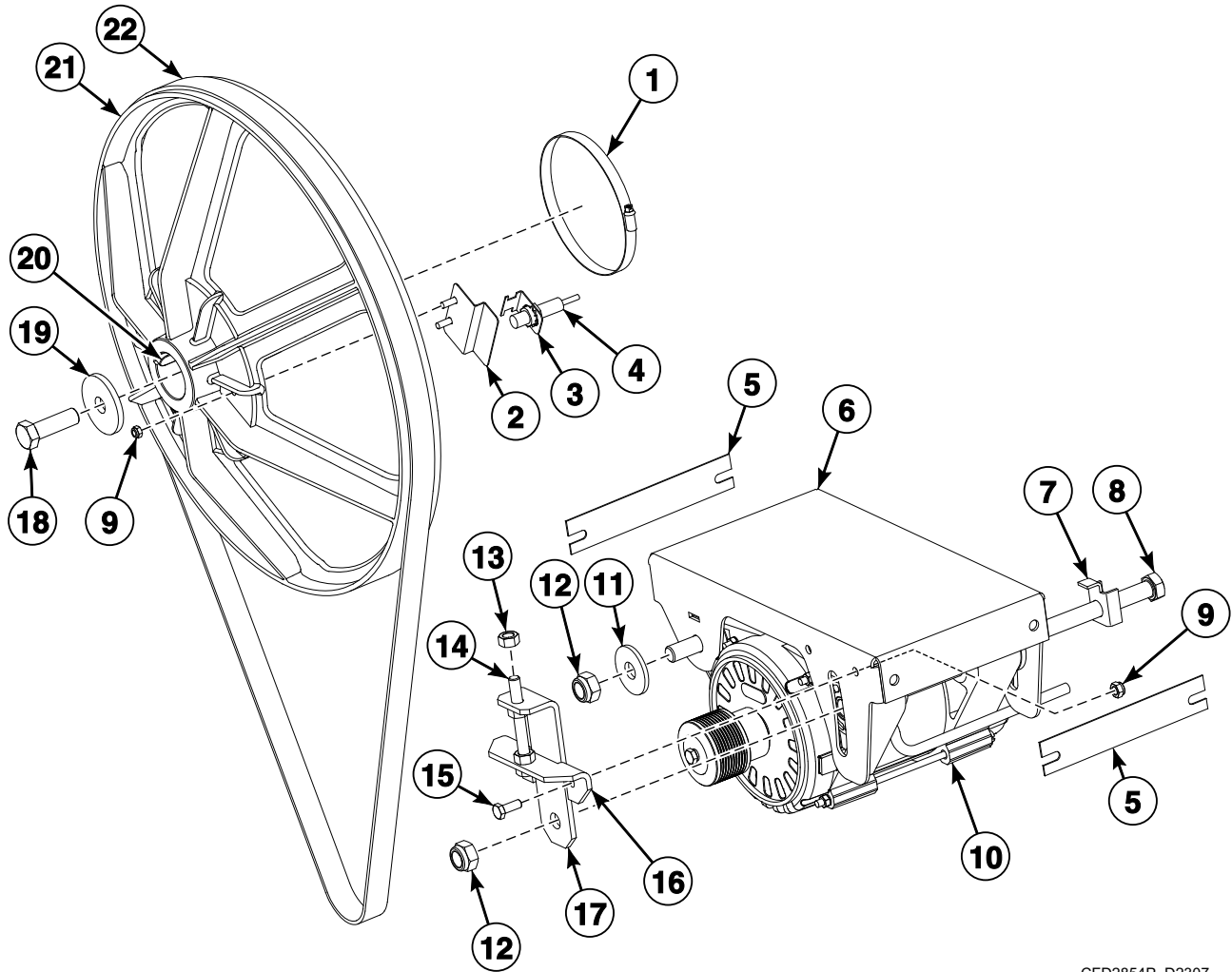
Soft Wash - Without Built-in Recirculation Pump

REF	PART NO.	DESCRIPTION	COMMENTS
	SP567105	Soap Pump Kit	Four pumps; Includes suction hoses and tubes; CE and Watermark
	SP567106	Soap Pump Kit	Six pumps; Includes suction hoses and tubes; CE and Watermark
	F8654201	Wet Cleaning Kit	PYN models; CSA
1	SP562737	Water Softener	AMVE 305; Optional; CE and Watermark
	SP562750	Water Softener	AMVE 505; Optional; CE and Watermark
2	SP562749	Water Heater	6kW; 50/60Hz; 230V; Optional; CE and Watermark
	SP562736	Water Heater	8.8kW; 50/60Hz; 230V; Optional; CE and Watermark

Drive Зип-Общепит

vsezip.ru

+7(812)987-08-81



CFD2854P_D2307

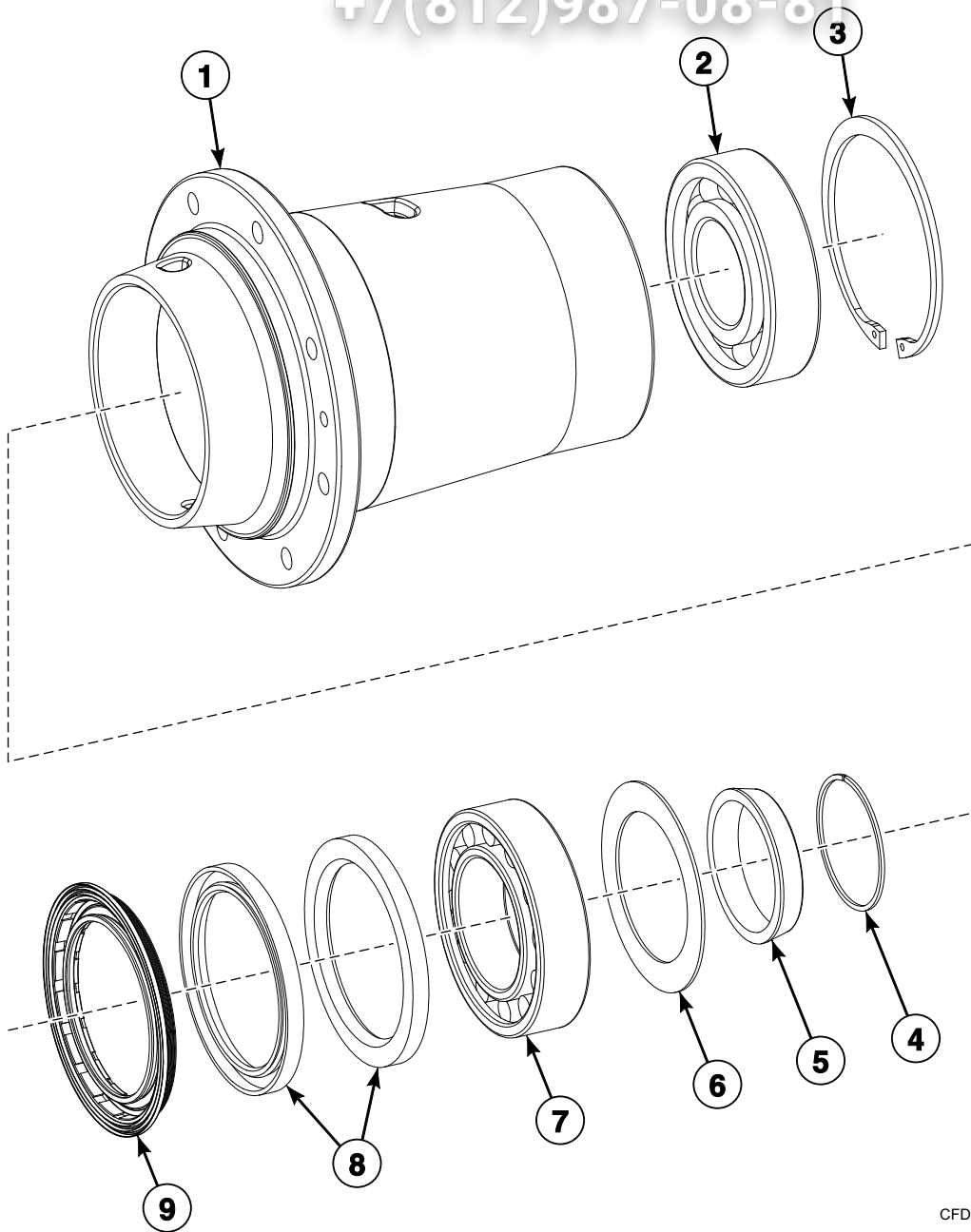
REF	PART NO.	DESCRIPTION	COMMENTS
1	SP529013	Clamp	
2	SP555542	Speed Sensor Plate	
3	SP555547	Speed Sensor Holder	
4	SP557701	Speed Sensor	
5	SP550033	Shim	
6	SP533811	Motor Holder	
7	SP533742	Cage	1
8	SP547780	Bolt	M12x240
9	SP310985000006	Nut	M6
10	SP555588	Motor and Pulley	3kW, 230V/75Hz; CE; Includes 528425 Motor; Applicable for power supply 200V-240V, 50/60Hz, 1/3ph and 380-415V+N, 50/60Hz, 3ph
	SP555589	Motor and Pulley	3kW, 400V/76Hz; CE; Includes SP552415 Motor; Applicable for power supply 400V, 50/60Hz, 3ph without Neutral and 440-480V, 50/60Hz, 3ph
	SP557457	Motor and Pulley	3kW, 230V/75Hz; CSA; Includes 528425 Motor; Applicable for power supply 200V-240V, 50/60Hz, 1/3ph and 380-415V+N, 50/60Hz, 3ph
	SP557458	Motor and Pulley	3kW, 400V/76Hz; CSA; Includes SP552415 Motor; Applicable for power supply 400V, 50/60Hz, 3ph without Neutral and 440-480V, 50/60Hz, 3ph
	571451	Motor and Pulley	Models with V in 7th Position; 3kW, 230V/75Hz; Includes 568375 Motor; Applicable for power supply 200V-240V, 50/60Hz, 1/3ph and 380-415V+N, 50/60Hz, 3ph
	571452	Motor and Pulley	Models with V in 7th Position; 3kW, 400V/76Hz; Includes 568385 Motor; Applicable for power supply 400V, 50/60Hz, 3ph without Neutral and 440-480V, 50/60Hz, 3ph
11	SP311902100012	Washer	12
12	SP310985000012	Nut	M12
13	SP310934000008	Nut	M8
14	SP309933000880	Bolt	M8x80
15	SP309933000616	Bolt	M6x16
16	SP533326	Tensioning Angle Piece	Fixed
17	SP547705	Tensioning Angle Piece	Movable
18	SP309933001630	Bolt	M16x30
19	SP511924	Washer	
20	SP308726014050	Feather	
21	SP547706	V-Pulley Drum	
	PRI702000010	Lubrication Grease	Used with SP547706 V-Pulley Drum
22	SP547781	Belt	

Bearing Housing

Эпн Общепит

vsezip.ru

+7(812)987-08-81



CFD2748P_D2307

Bearing Housing

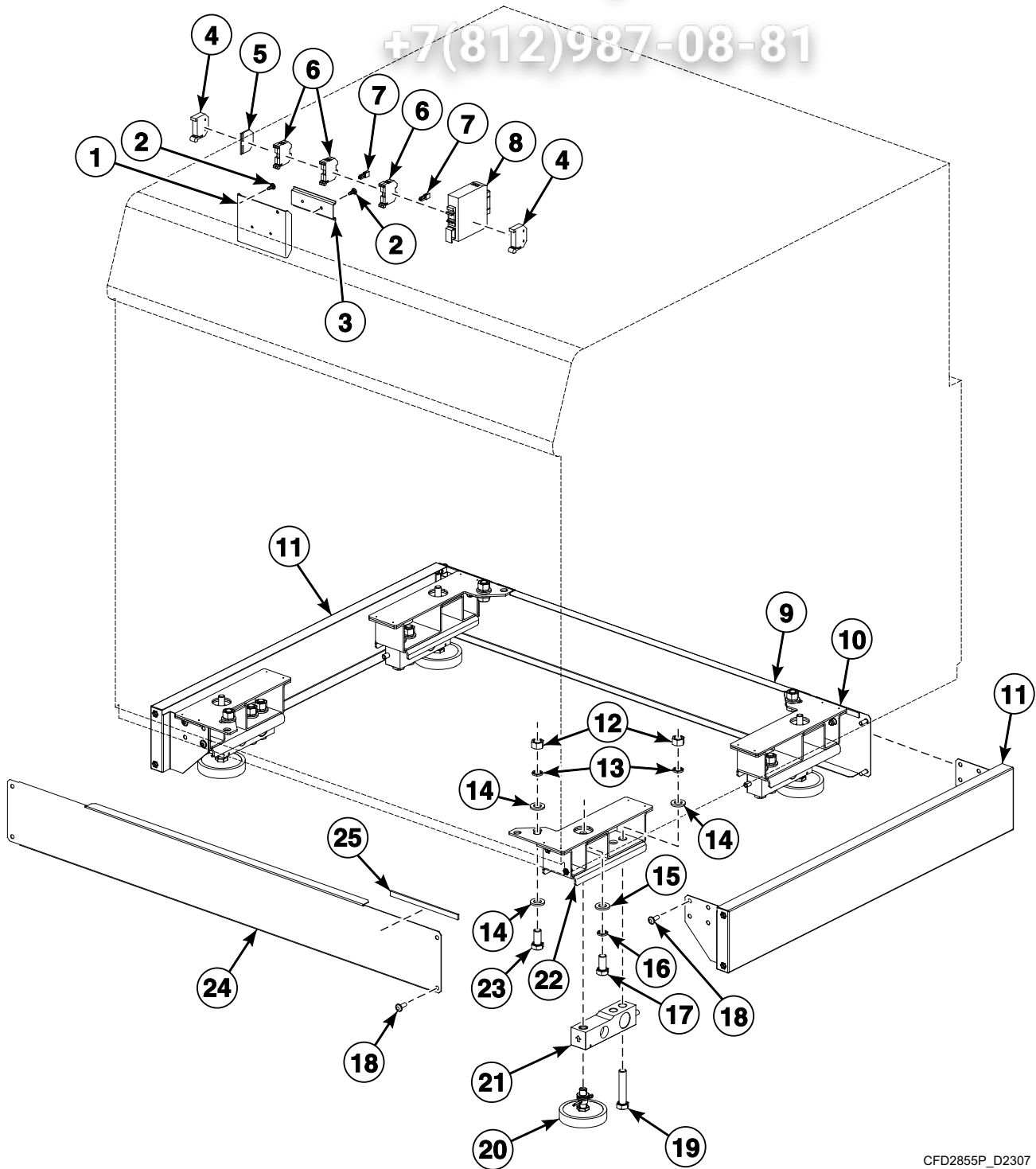
REF	PART NO.	DESCRIPTION	COMMENTS
	SP245704000603	Adhesive	Loctite 603
	SP111313000002	Lubrication Grease	
	SP537868	Bearing Housing	Includes items 1-9, SP245704000603 and SP111313000002
	SP538787	Bearing Replacement Tool Kit	
1	SP537867	Bearing Housing	
2	SPPRI608000080	Bearing	6312
3	SP307732031130	Retaining Ring	130
4	SPPRI242000014	Retaining Ring	
5	SP556115	Mounting Cone	
6	SP552973	Grease Holder	
7	SPPRI608000079	Bearing	NU 2215 EC
8	SP506475	Sealing Ring	100x130x10; Includes only 1 piece, 2 pieces required
9	SP537879	Sealing Ring	100x130/144x9/12

Weighing System

Винище

vsezip.ru

+7(812)987-08-81



CFD2855P_D2307

Weighing System

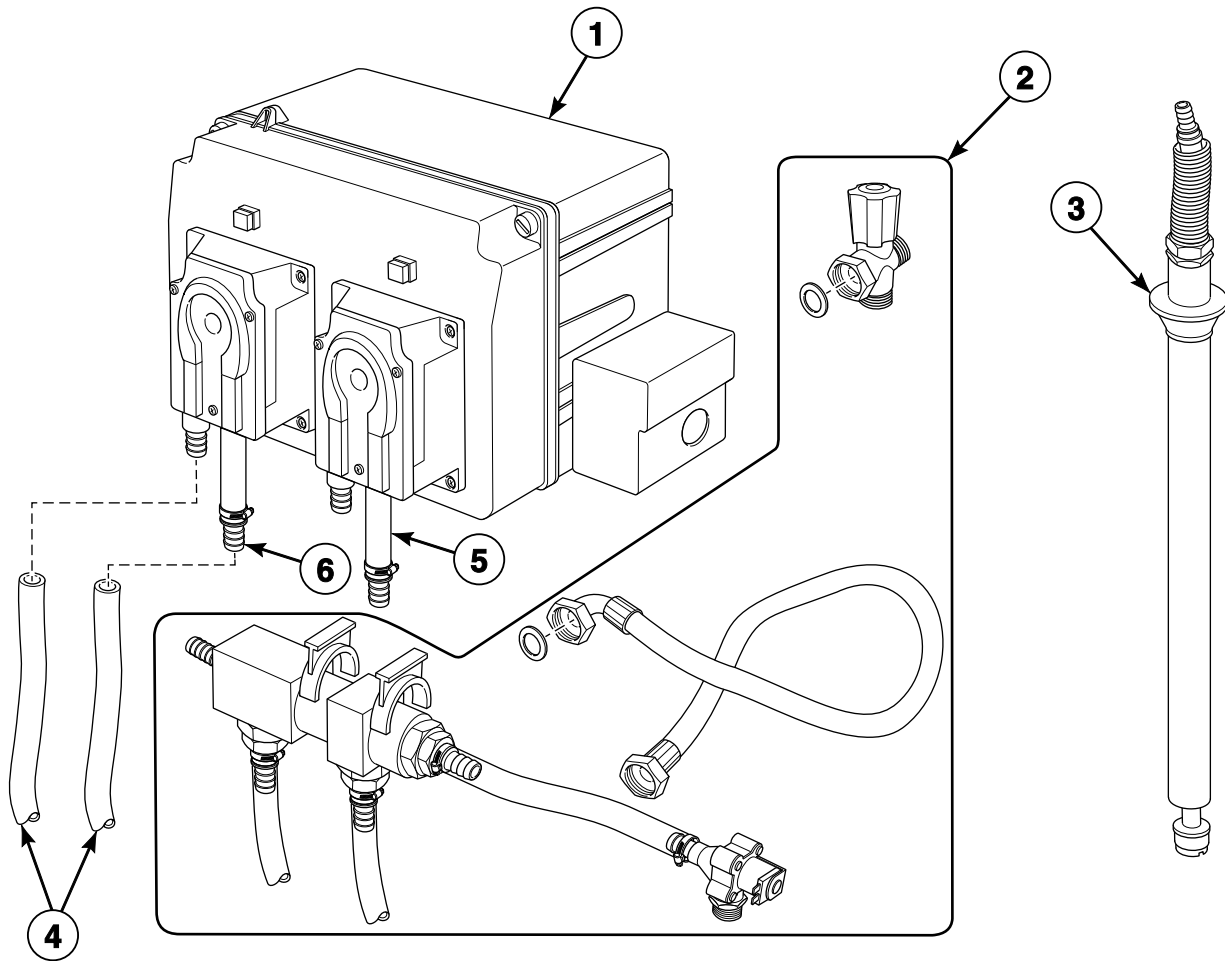
REF	PART NO.	DESCRIPTION	COMMENTS
	554218	Weighing System Kit	includes items 1-25
1	SP549791	Amplifier Unit Holder	
2	SP529206	Screw	4x11
3	SP541442	Support Rail	
4	SP346000209101	End Stop	
5	SP346000280301	Cover	
6	SP346000280101	Clamp	280-101; Gray
7	SP346000280402	Interconnection	280-402
8	SP516968	Amplifier	
9	SP554242	Rear Cover	
10	SP554235	Load Sensor Holder	Right
11	SP554225	Side Cover	
12	SP310934000012	Nut	M12
13	SP311127000012	Washer	12
14	SP311125000013	Washer	13
15	SP311902100010	Washer	10
16	SP311127000010	Washer	10
17	SP309933001025	Bolt	M10x25
18	SP537864	Bolt	M6x16
19	SP309933001260	Bolt	M12x60
20	SP516956	Adjustable Foot	
21	SP529101	Load Sensor	
22	SP554232	Load Sensor Holder	Left
23	SP309933001225	Bolt	M12x25
24	SP554220	Front Cover	
25	SP284000012003	Tape	

Liquid Soap Supply System Pumps

Элл Общепит

vsezip.ru

+7(812)987-08-81



CZW45P_D2307

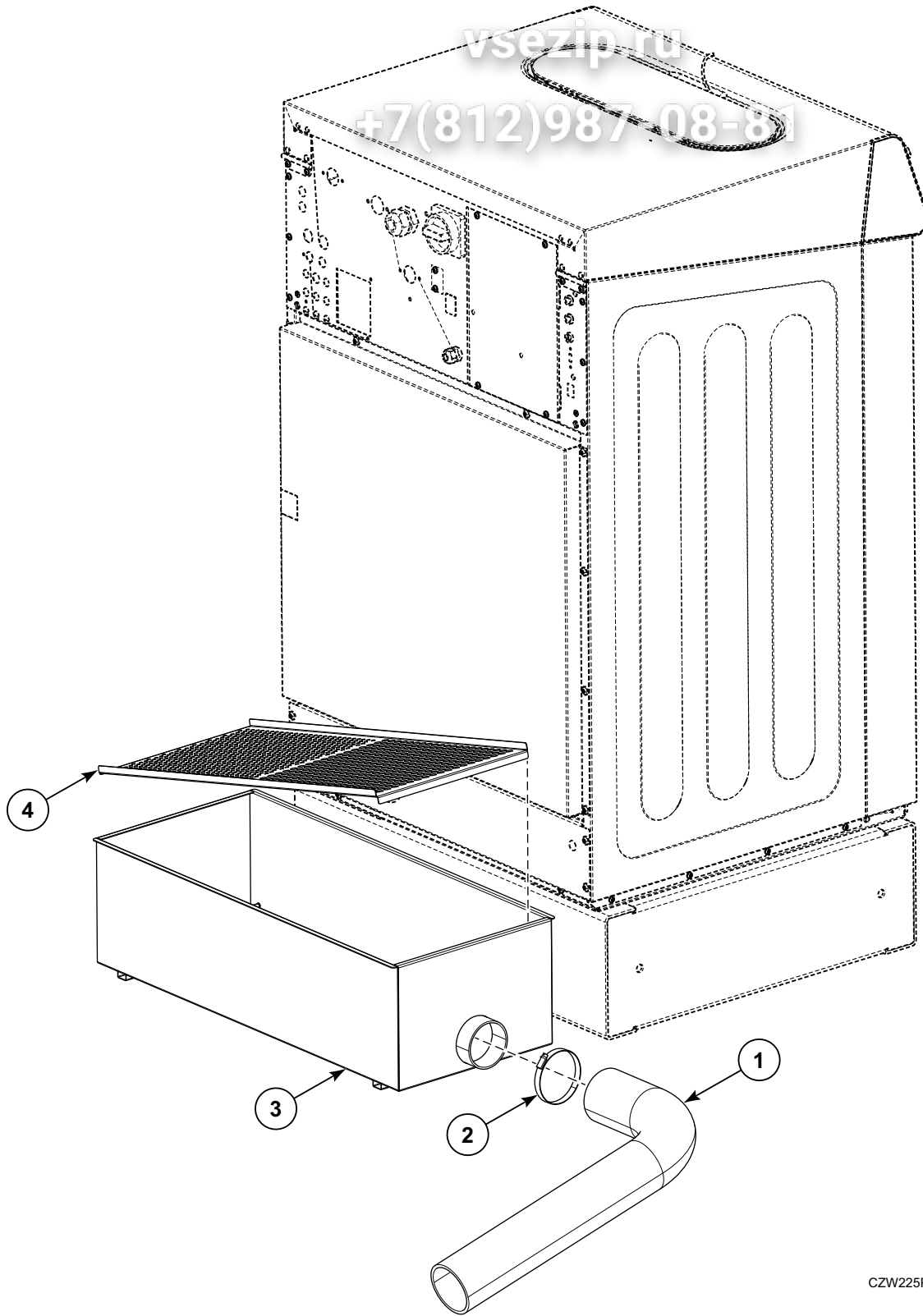
Liquid Soap Supply System Pumps

REF	PART NO.	DESCRIPTION	COMMENTS
	MB90-Z40	Supply Pump Kit	For two pumps
	MB90-Z41	Supply Pump Kit	For three pumps
	MB90-Z42	Supply Pump Kit	For four pumps
	MB90-Z43	Supply Pump Kit	For five pumps
	MB90-Z44	Supply Pump Kit	For six pumps
1	529742	Pump	Two
	529743	Pump	Three
	529744	Pump	Four
	529745	Pump	Five
	529746	Pump	Six
2	529789	Manifold Flush Kit	For two pumps
	529797	Manifold Flush Kit	For three pumps
	529798	Manifold Flush Kit	For four pumps
	529799	Manifold Flush Kit	For five pumps
	529800	Manifold Flush Kit	For six pumps
3	529787	Suction Tube	
4	SPPRI540020005	Hose	d10/14
5	529747	Hose	Spare hose for pump
6	547808	Connection	

Filter Tank

vsezip.ru

+7(812)987-08-81



CZW225P_D2307

Filter Tank

Вини общепит

vsezip.ru

+7(812)987-08-81

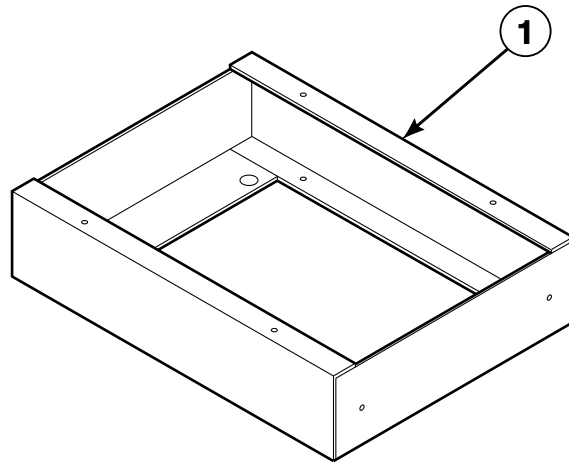
REF	PART NO.	DESCRIPTION	COMMENTS
	570845	Filter Tank	
1	SP519463	Drain Elbow	
2	SPPRI240000007	Hose Clamp	
3	570841	Collector Weldment	
4	570836	Filter	

Elevated Base Frame

Зип ОбщениТ

vsezip.ru

+7(812)987-08-81



CFD3235P_D2307

Elevated Base Frame

REF	PART NO.	DESCRIPTION	COMMENTS
1	551950	Elevated Base Frame	For mounting one machine; Refer to NOTE*
	551951	Elevated Base Frame	For mounting two machines; Refer to NOTE*
	551952	Elevated Base Frame	For mounting three machines; Refer to NOTE*
	551953	Elevated Base Frame	For mounting four machines; Refer to NOTE*
	551954	Elevated Base Frame	For mounting five machine; Refer to NOTE*

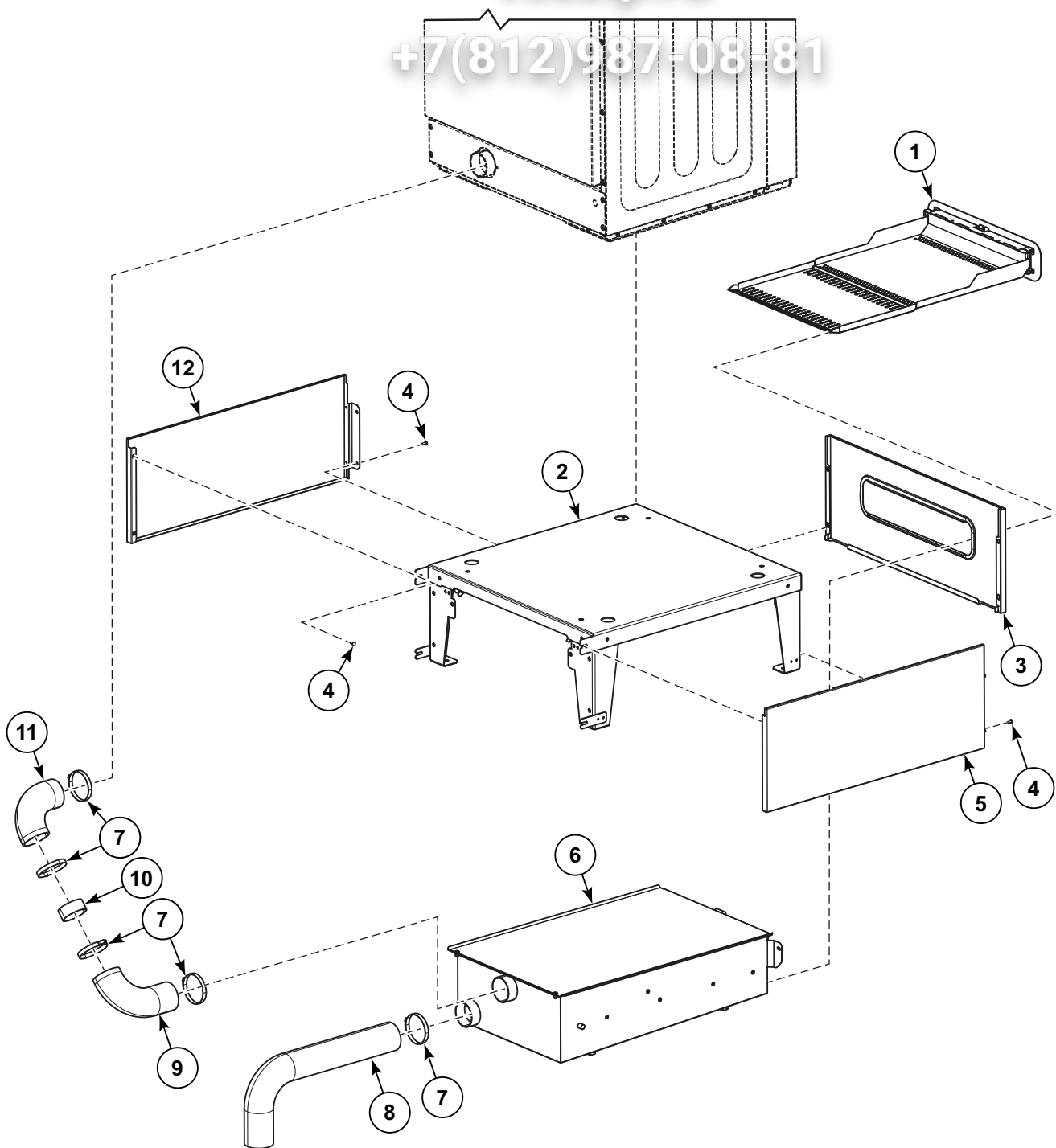
* NOTE: Part can only be ordered through the Equipment Order Desk.

Base Frame with Built-In Filter

All Models Except Models with V in 7th Position; Starting January 1, 2020

vsezip.ru

+7(812)987-08-81



CZW320P_D2307

Base Frame with Built-In Filter

REF	PART NO.	DESCRIPTION	COMMENTS
1	574722	Filter	Assembly
2	573820	Base Frame	
3	574769	Front Panel	
4	SP537854	Bolt	M6x14
5	574786	Left Cover	Assembly
6	574703	Box	Assembly
7	SPPRI240000007	Hose Clamp	
8	SP519463	Drain Elbow	
9	574841	Elbow	
10	570807	Pipe	
11	574846	Elbow	
12	574792	Right Cover	Assembly

Wire Harnesses

PART NO.	DESCRIPTION	COMMENTS
552385	Wiring Diagram	All Models Except Models with V in 7th Position
SP568307	Wiring Diagram	All Models Except Models with V in 7th Position; models with Softwash
574404	Wiring Diagram	Models with V in 7th Position
557734	Interconnection	PYN models; CFI - FI; CSA
552495	Transformer Connection	PYN models; CSA
528064	Steam Heat Wiring	PYN models; Steam heat; CSA
SPPRI351000161	Steam Valve Cable	Steam heat; CE and Watermark
552477	Inlet Valve Extension Wiring	High volume water inlets
552466	Wireless Reader Wiring	PYN models; Vended; CSA
557735	Interconnection	PYN models; Vended; CSA
SP528270	Door Lock Wiring	MC6; CE and Watermark
SPPRI351107209	Heating Contactor Wiring	For 6kW/230V, 9kW/400V; CE and Watermark; 2.5mm ² ; I=540mm
SPPRI351108209	Heating Contactor Wiring	I=440mm; For 9kW/230V, 12kW/400V: CE and Watermark; 4mm ² ; I=540mm
SPPRI351105209	Heating Contactor Wiring	I=440mm; For 12kW/230V, 18kW/400V; CE and Watermark; 6mm ² ; I=540mm
100222	Heating Contactor Wiring	I=700mm; For 9kW/230V, 12kW/400V; CE and Watermark; 4mm ²
100223	Heating Contactor Wiring	I=700mm; For 12kW/230V, 18kW/400V; CE and Watermark; 6mm ²
SPPRI351106209	Heating Contactor Wiring	I=700mm; For 18kW/230V, 24kW/400V; CE and Watermark
SP528439	Heating Wiring	CE and Watermark; 2.5mm ² ; I=2.3m; 12kW / 230V, 18kW / 400V / 440V
SP552333	Heating Wiring	CE and Watermark
SP528335	Heating GND Wiring	CE and Watermark
SP528205	Frame GND Interconnection	
528350	Transformer Connection	400-480V, 3AC -N; CE and Watermark
SP547075	RS485 External Interconnection	For RS485 external interconnection to PC
528393	Wiring Steam - Electrical Heating	Steam - electrical heating modification
552387	Inlet Valve Extension Wiring	High volume water inlets; CE and Watermark
SP545235	Door Timer Wiring	Automatic door open execution; MC6; CE and Watermark
SP552455	Automatic Door Opening Module Wiring	Automatic door open execution; MC7
568394	Main Wiring	Models with V in 7th Position
569749	Door Lock Wiring	I=1.7m; Models with V in 7th Position
569751	Door Lock Cable	I=0.24m; Models with V in 7th Position
SP528324	Communication Cable	
568398	Motor Temperatuer Protect Cable	Models with V in 7th Position
528080	Frame GND Interconnection	Models with V in 7th Position
SP557947	External Block Signal Cable	Length = 110.24 inches (2.8 m)
SP557948	External Block Signal Cable	Length = 169.29 inches (4.3m)
569701	Cable	CPU - I/O board interconnection
574406	Transformer Supply Wiring	
SP528440	Heating Wiring	6mm ² ; I=2.3m; 18kW / 230V
520174	Frame GND Interconnection	Models with V in 7th Position
SP528438	Heating Wiring	12kW / 400V / 440V
100222	Heating Contactor Wiring	4mm ² ; For 12kW/400V/440V; Length 27.56inches (700m)

Parts Index

A

Adapter	
SP319428324012	175, 177
SP547968	175, 177
Adhesive	
SP101403	175, 177
SP245704000050	179
SP245704000603	103, 175, 177, 191
SP245704003021	21, 25, 29, 103, 179
SP245704005331	185
SP510971	185
SP537896	33, 103, 183
Adhesive Fixing Index Plate	
SPPRI350003050	185
Adjustable Foot	
SPPRI504000001	11
SP516956	193
Air Trap Reduction	
SPPRI503000027	139, 141, 143
Amplifier	
SP516968	193
Amplifier Unit Holder	
SP549791	193
Anticorrosive Agent	
SP510889	179
Antivibration Foil	
550112	35, 39
Automatic Door Opening Module Wiring	
SP552455	21, 25, 29, 202
Automatic Unlocking Module Assembly	
SP545238	21, 25, 29
SP552489	21, 25, 29, 33

B

Base Frame	
573820	201
Bearing	
SPPRI608000079	191
SPPRI608000080	191
Bearing Housing	
SP537867	191
SP537868	191
Bearing Replacement Tool Kit	
SP538787	191
Belt	
SP547781	189
Binding Strip	
SP345000626088	139, 141, 143, 147
SP503817	133, 135, 147, 185
Board Interconnection Cable	
SP537995	59
SP547005	43, 51, 59
Bolt	
F8270701	113
SPF02119000415	179, 183
SP309084000320	81, 85, 89
SP309084000408	23, 25, 29, 41, 81, 83, 85, 87, 89, 91

SP3090840004169, 11, 103, 117, 125, 127, 145, 149, 153,	157, 161, 165, 169, 173, 183
SP309084000535	161, 165, 169, 173
SP309084240325	11
SP309798500306	33, 41, 43, 51, 59, 69, 71, 73
SP309933001050	11
SP309933000416	81, 85, 89, 93, 95, 145, 153, 157, 185
SP309933000616	21, 25, 189
SP309933000620	147, 153, 157, 161, 165, 169, 173, 175,
SP309933000660	161, 165, 169, 173
SP309933000820	9, 11, 139, 141, 143
SP309933000845	9
SP309933000880	189
SP309933001025	193
SP309933001225	193
SP309933001235	179, 181
SP309933001250	179, 181
SP309933001260	193
SP309933001630	189
SP309933100625	145, 149, 153, 157, 161, 165, 169, 173
SP309933240408	149, 153, 157
SP309933240412	83, 87, 91, 161, 165, 169, 173
SP309933241035	179, 181
SP309965240408	75, 77, 79, 185
SP506013	41
SP506431	29, 41
SP506432	11
SP527093	9
SP527420	11
SP533717	9
SP533726	11
SP535479	105, 109, 111
SP537854	103, 183, 201
SP537864	105, 109, 111, 193
SP547780	189
SP550482	31, 41
SP553524	107
SP555504	33, 43, 51, 59, 75, 77, 79, 133, 135, 161, 165,
SP555658	21, 23, 25, 27, 29, 31, 33, 41, 177
SP556137	103
309500240408	75, 77, 79
568968	113
569655	75, 77, 79
577761	59
577762	59
577763	59

Box	
574703	201
Bushing	
SP101406	149, 151, 155, 159, 163, 167, 171
SP101409	149, 151, 155, 159, 163, 167, 171

C

Cable	
SP545234	93, 149, 151, 155, 159, 163, 167, 171
557982	147
569701	202
Cable Bushing	
SPPRI501000071	145

N/A items do not appear in index.

Cable Bushing Insert		SP547635	45, 63
SP557952	149	SP547636	45, 63
Cable Clamp		SP547637	45, 63
SPPRI407000091	173	SP547638	45, 63
SP528392	149, 153, 157	SP547639	45, 63
Cable Eye		SP547640	45, 63
SP345000165034	153, 157, 161, 165, 169, 173	SP547641	47, 65
345000034150	147	SP547642	47, 65
Cable Holder		SP547643	47, 65
SP528313	33, 43, 51, 147, 153, 157, 161, 165, 169, 173,	SP547644	47, 65
	185	SP547645	47, 65
Cable Passage		SP547646	47, 65
SP273121005052	21, 25, 29, 41	SP547647	45, 63
SP273121015002	145	SP547648	45, 63
Cable Sleeve		SP547649	47, 65
SPPRI407000091	161, 165, 169	SP547651	47, 65
Cage		SP547652	45, 63
SP533742	189	SP547653	47, 65
Casing		SP547654	47, 65
SP529739	105, 109, 111	SP547656	45, 63
Circuit Breaker		SP547657	47, 65
571463	159, 167	SP547658	47, 65
571464	163, 171	SP547659	47, 65
Clamp		SP547660	47, 65
SP346000280101	193	SP547661	47, 65
SP529013	189	SP547662	47, 65
SP537822	179, 183	SP547663	47, 65
Clip		SP547664	47, 65
SP502214	153, 157, 161, 165, 169, 173	SP547665	45, 63
Coil		SP547666	45, 63
SP554110	175, 177	SP547667	47, 65
568942	113	SP547668	47, 65
Coin Meter		SP547669	47, 65
SP537996	47, 65	SP547670	47, 65
SP547600	45, 63	SP547671	47, 65
SP547601	45, 63	SP547672	47, 65
SP547602	45, 63	SP547673	47, 65
SP547603	45, 63	SP547674	47, 65
SP547604	45, 63	SP547675	47, 65
SP547605	45, 63	SP553156	55
SP547606	45, 63	SP555502	47, 65
SP547607	45, 63	SP555543	47, 65
SP547608	45, 63	SP555546	47, 65
SP547609	45, 63	SP555549	47, 65
SP547610	45, 63	SP555550	47, 65
SP547611	45, 63	SP555558	47, 65
SP547612	45, 63	SP555559	47, 65
SP547613	45, 63	SP555578	47, 65
SP547614	45, 63	SP555579	47, 65
SP547615	45, 63	SP555666	47, 65
SP547616	45, 63	SP558958	53
SP547617	45, 63	SP558959	53
SP547618	45, 63	SP559933	53
SP547619	45, 63	SP559934	53
SP547620	45, 63	SP559938	53
SP547621	45, 63	SP559949	53
SP547622	45, 63	SP559969	53
SP547623	45, 63	SP560071	55
SP547624	45, 63	SP560075	55
SP547625	45, 63	SP560082	47, 65
SP547626	45, 63	SP560083	49, 67
SP547627	45, 63	SP560084	49, 67
SP547628	45, 63	SP560085	49, 67
SP547629	45, 63	SP560086	49, 67
SP547630	45, 63	SP560087	55
SP547631	45, 63	SP560089	47, 65
SP547634	45, 63	SP560090	53
		SP560091	53
		SP560092	55

N/A items do not appear in index.

SP560093	55	569918	49, 67
SP560094	55	569919	55
SP560100	55	569921	45, 63
SP560309	53	569922	53
SP560310	53	569924	49, 67
SP560311	53	569925	55
SP560312	53	569927	49, 67
SP560405	53	569928	55
SP560406	53	569930	49, 67
SP560407	53	569931	55
SP560408	53	569933	47, 65
SP560409	53	569934	53
SP560410	53	569936	49, 67
SP560411	53	569937	55
SP560412	53	569939	47, 65
SP560413	53	569940	53
SP560414	53	569942	49, 67
SP560415	53	569943	55
SP560416	53	569945	49, 67
SP560417	53	569946	55
SP560418	53	569948	47, 65
SP560419	53	569949	55
SP560420	53	569951	47, 65
SP560421	53	569952	55
SP560422	53	569954	49, 67
SP560423	53	569955	55
SP560424	53	569961	49, 67
SP560425	53	569962	55
SP560426	53	569964	47, 65
SP560427	53	569965	53
SP560428	53	569967	49, 67
SP560429	53	569968	55
SP560432	53	569970	49, 67
SP560744	47, 65	569971	55
SP560745	53	569973	49, 67
SP560751	53	569974	55
SP561497	55	569979	49, 67
SP564485	55	569980	55
SP568002	97	569987	49, 67
SP568003	97	569988	57
SP568004	97	569993	55
SP568005	97	569995	55
SP568006	97	569998	49, 67
SP568007	97	569999	57
SP568008	97	570000	57
SP568009	97	572301	49, 67
SP568010	97	572302	57
SP568011	97	572304	49, 67
SP568012	97	572305	57
SP568013	97	572307	49, 67
SP568014	97	572308	57
SP568015	97	572310	49, 67
SP568016	97	572311	57
SP568017	97	572313	49, 67
553150	49, 67	572314	57
553151	49, 67	572317	49, 67
560073	49, 67	572318	57
561378	49, 67	572320	49, 67
561496	49, 67	572321	57
563405	55	572323	49, 67
564484	49, 67	572324	57
564486	49, 67	572326	49, 67
564487	55	572327	57
564489	49, 67	572339	49, 67
568002	99	572342	49, 67
569901	49, 67	572343	57
569905	55	572355	57
569911	55	572359	57
569912	49, 67	572384	57

N/A items do not appear in index.

572386	99	575268	99
572389	99	575270	99
575201	101	575271	99
575202	101	575272	99
575203	101	575273	99
575204	101	575274	99
575205	101	575275	99
575206	101	575276	57
575207	101	575277	57
575208	101	575278	99
575209	101	575279	99
575210	101	579808	49, 67
575211	101	579809	57
575212	101		
575213	101	Coin Meter Box	
575214	101	SP102532	93
575215	101	100498	93
575216	101	568036	95
575217	101	Coin Meter Case	
575218	97	571049	93
575219	97	571055	93
575220	97	573009	95
575221	97	Coin Meter Cover	
575222	97	567924	69, 75
575223	97	Coin Meter Cover Plate	
575224	97	SP558929	43, 51
575225	97	Coin Meter Covering Plate	
575226	97	SP547565	59
575227	97	Coin Vault Plate	
575228	97	SP533103	23, 25, 29
575229	97	566737	23, 25, 29, 39
575230	97	Collector Weldment	
575231	97	570841	197
575232	97	Communication Cable	
575233	97	SP528324	145, 202
575234	97	SP528325	145
575235	97	Compression Spring	
575236	97	SP535406	107
575237	97	Conductor	
575238	97	SP505446	147
575239	97	505448	147
575240	97	Connection	
575241	97	547808	195
575242	97	Connector	
575243	97	SP537856	103, 183
575244	97	SP554156	175, 177
575245	97	Contactactor	
575246	97	SPPRI345002019	145, 151, 155, 159, 163, 167, 171
575247	97	SP514038	145, 151, 155, 159, 163, 167, 171
575248	99	SP514042	145, 151, 155, 159, 163, 167, 171
575249	99	SP514043	145, 159, 163, 167
575250	99	Control	
575251	99	572505	75, 77, 79, 81, 85, 89
575252	99	575632	75, 77, 79, 81, 83, 85, 87, 89, 91
575253	99	Control Board	
575254	99	SP547001	59
575255	99	SP553411	43, 51, 59
575256	99	SP553412	43
575257	99	SP553419	51, 69, 71, 73
575258	99	553411	69, 71, 73
575259	99	Control Board I/O	
575260	99	SP553405	33, 43, 51, 59
575261	99	575630	33, 39
575262	99	Control Board Power	
575263	99	SP547002	59
575264	99		
575265	99		
575266	99		
575267	99		

N/A items do not appear in index.

Control Holder	574099	103, 109
571041	75, 77, 79	
Control Panel	571636	109, 111
SP557585	43	
SP558907	51	
573028	35, 75, 77, 79	
573063	71	
573077	69	
573079	73	
573121	77	
573123	75	
573125	79	
Cover		
SPPRI543000004	43, 51, 59	
SP346000280301	193	
SP552972	103	
566549	151, 155, 159, 163, 167, 171	
569656	33	
Cover Plate		
SP550149	59	
Cover Strip Pin		
SP533738	9	
CPS Cover Plate		
SP558930	43, 51	
Cross Piece		
SP537824	179, 181	

D

Damper		
SP533716	11	
DC Choke		
571456	159, 167	
571457	163, 171	
Dispenser Lid		
SP526461	119, 123, 125, 127, 129, 131	
SP551695	119, 123	
Dispenser Pipe		
SP526490	119, 121, 125, 127, 129, 131	
Dispenser Seal		
SP540158	119, 123, 125, 127, 129, 131	
Distance Case		
SP515274	9	
Distinguishing Ring		
SP535411	107, 111	
SP535437	107	
571733	107, 109	
Door		
SP535443	105	
SP535445	105	
SP553527	105, 111	
568838	105, 109	
Door and Lock Holder		
SP537883	103	
Door Assembly		
SP556272	103	
SP559369	103	
537930	103, 111	
537932	103	
556254	103	
562706	103	
563372	103, 109	
571765	111	
571768	109	
573186	103, 109	

Door Frame Sheet	571636	109, 111
Door Glass		
SP535439	103, 111	
SP556228	103, 109	
SP562703	103	
535439	109	
573192	103, 109	
Door Level		
573009	109, 111	
Door Lock Assembly		
576085	113	
Door Lock Cable		
569751	202	
Door Lock Catch		
576084	113	
Door Lock Holder		
568931	183	
Door Lock Plate		
568971	113	
Door Lock Wiring		
SP528270	202	
SP552453	103	
SP552454	103	
569723	103	
569749	202	
Door Timer Wiring		
SP545235	202	
Double Check Valve		
F8301201	117, 121	
Double Reverse Valve		
RSPB12543901	117, 121, 133, 135	
Drain Elbow		
SP235100018724	139	
SP519463	139, 197, 201	
SP526500	139, 141, 143	
Drain Hose Pipe		
SP526492	139, 141, 143	
Drain Jet		
567167	185	
Drain Valve		
SP526460	139, 141, 143	
Drain Valve Chamber		
553195	139	
Drain Valve Holder		
SP526513	139, 141, 143	
Drain Valve Motor		
SPPRI340002051	139, 141, 143	
Drain Valve Seal		
554276	139, 141, 143	

E

Edge Protection		
SP529068	23, 27, 31, 33, 39, 165, 173	
Elbow		
SPPRI426002072	121, 129, 131	
567181	185	
574841	201	
574846	201	
Elevated Base Frame		
551950	199	

N/A items do not appear in index.

551951	199	Filter Tank	570845	197
551952	199	Fixed Hinge	568982	109, 111
551953	199	Fixed Lower Hinge	568982	105
551954	199	Fixed Upper Hinge	568984	105
Emergency Stop Connector		Fixed Upper Hinge	568979	105, 109, 111
SP528311	43, 51, 59, 69, 75, 81, 83		568981	105
Emergency Stop Interconnection		Flap	SP540113	119, 123, 125, 127, 129, 131
SP520033	43, 51, 59, 85, 87	Foam Roller	SP100188	139, 141, 143
571485	39, 91	Frame GND Interconnection	SP528205	202
Emergency Stop Knob		520174	202	
SP528310	43, 51, 59, 69, 75, 81, 83	528080	202	
Emergency Stop Label		Frequency Inverter	SP571473	159, 167
SPPRI551005248	69, 75	SP571475	155, 159, 163, 167, 171	
Emergency Stop Wiring		571473	145, 151	
SP520032	43, 51, 59	571474	151	
End Cover		571475	145	
552483	147	Frequency Inverter Filter	SP557932	163, 171
End Stop		Front Cover	SP554220	193
SP346000209101	159, 163, 167, 171, 193	SP564375	35	
Extension		Front Panel	SP533211	31
SPPRI426003217	121, 129, 131	SP533213	31	
External Block Signal Cable		SP533278	23, 31	
SP557947	149, 151, 155, 202	SP533280	23, 31	
SP557948	149, 202	SP557058	27	
External Tub		SP557059	27	
SP537837	179, 181	SP562726	27	
SP537922	179, 181	SP562727	27	
567160	179	563462	23, 31	
567200	179	563464	23, 31	
572496	179	568049	31	
572497	179	568051	23, 31	
External Tub Front Plate		568061	27	
SP537819	179	568065	27	
SP571608	183	571101	35	
<hr/>				
F		571723	103, 183	
Fastener		571726	103, 183	
SP550115... 21, 25, 29, 33, 41, 69, 71, 73, 75, 77, 79, 137		572541	39	
Feather		572542	39	
SP308726014050	189	572543	39	
Ferrite Core		572544	39	
557961	151, 155, 159, 163, 167, 171	573016	35	
Filling Elbow Pipe		574092	35	
SP526506	117, 121, 125, 127, 129, 131, 133, 135	574769	201	
Filling Hose Pipe		579115	103	
RSPF200166	117, 121	Fuse	SP345805005020	149, 155, 159, 163, 167, 171
SPPRI505000054	117, 125, 127, 129, 131, 133, 135	SP345805163032	149, 151, 155, 159, 163, 167, 171	
SP101621	117, 121, 125, 127, 129, 131, 133, 135	Fuse Cover	SP554311	159, 163, 167, 171
SP533036	121	Fuse Glass	569725	147
SP547980	117, 125, 127, 129, 131, 133, 135	Fuse Holder	SP554310	159, 163, 167, 171
Filter		SPPRI401001020	149, 159, 163, 167, 171	
SPPRI340004030	117, 121, 125, 127, 129, 131, 133, 135	SPPR401001020	155	
SP525935	145	SP554310	159, 163, 167, 171	
SP552251	145, 151			
525935	155			
568380	161, 167			
570836	197			
574722	201			
Filter Holder				
572126	163			
574850	171			

N/A items do not appear in index.

Fuse Housing		Holder	
SPPRI401003020 . 149, 151, 155, 159, 163, 167, 171		SPPRI326012004	21, 25, 29, 33
552482	147	540123	151, 155
		570382	159, 163, 167, 171
<hr/>		Holder Cover	
G		SP535430	107, 111
		SP535438	107, 109
Grease Holder		SP556278	107
SP552973	101	569031	107
<hr/>		Holder Partition	
		SP526593	145
H		Hook	
Handle		SPPRI551016250	21, 25, 29, 41
SP552908	107	Hook Lock	
SP552909	107	SPPRI610002007	21, 25, 33, 59, 85, 87
SP556297	107	Hose	
562898	107	SPPRI503002049	139, 141, 143
569335	107	SPPRI540000014. 119, 121, 125, 127, 129, 131, 133, 135	
571780	111	SPPRI540001019	121, 129, 131, 185
571781	109	SPPRI540020005	195
571788	107	529747	195
Handle Ball		Hose Clamp	
SP535407	107	SPPRI240000002. 119, 121, 125, 127, 129, 131, 133, 135	
Handle Lower Part		SPPRI240000003. 117, 121, 125, 127, 129, 131, 133, 135,	139, 141, 143, 185
SP535429	107	SPPRI240000007. 117, 121, 125, 127, 129, 131, 133, 135,	139, 141, 143, 197, 201
571779	109, 111	SPPRI240000017	117, 121, 133, 135, 141, 143
Handle Torsion Spring		SPPRI240000021. 119, 123, 125, 127, 129, 131, 133, 135	
SP535402	105, 109, 111	SPPRI241000017	139, 141, 143
Heating Contactor Wiring		SP526491	117, 121, 125, 127, 129, 131, 133, 135
SPPRI351105209	202	SP526532	139, 141, 143
SPPRI351106209	202	576096	139, 141
SPPRI351107209	202	579096	143
SPPRI351108209	202	Hose Coupling	
100222	202	567173	185
100223	202	Hose End	
Heating Element		567171	185
SP540127	179, 183	Hose Pharmasteel	
SP540132	179, 183	567180	185
Heating Element Cover		Hose Pipe	
568937	183	SP101745	119, 125, 127, 129, 131
Heating Element Front Cover		<hr/>	
SP563275	103, 183	I	
568987	103, 183	Inlet Valve Extension Wiring	
579089	103	552387	202
Heating Element Hole Plug		552477	202
SPPRI342001016	175, 177	Insulation Washer	
Heating GND Wiring		571458	159, 163, 167, 171
SP528335	202	Interconnection	
Heating Wiring		SP533742	193
SP528438	202	SP545220	147
SP528439	202	528169	147
SP528440	202	557734	202
SP552333	202	557735	202
Hex Pillar		564682	147
570381	161, 165, 169, 173	Internal Vessel	
Hinge		SP540116	119, 123, 125, 127, 129, 131
SP516832	21, 25, 29, 41	Isolation	
Hinge Spacer		557936	147
SP535421	105, 109, 111		
SP537849	103, 183		
Hinges			
570553	105		
570554	105		

N/A items do not appear in index.

Isolation Cavity 345000966067	47	Leading Pin SP350113	43, 51, 75, 77, 79
Isolation Paper SPPRI350012007	93, 95	Left Cover 574786	201
<hr/>		Liquid Detergent 570517	167, 171
K		Liquid Detergent Box SP540123	149
Key SP550616	21, 25, 59, 85, 87	Liquid Soap Supply Connection Kit SP528443	145
Keyboard		Load Sensor SP529101	193
SP547007	61	Load Sensor Holder SP554232	193
SP547015	61	SP554235	193
SP547016	61	Locating Segment SP529710	107
SP547017	61	571773	109, 111
SP547018	61	Lock SP537760	105, 115
SP547027	43, 61	SP547527	21, 25, 33, 59, 85, 87
SP547028	43, 61	Lock Pin SP537933	105
SP547029	43, 61	Logo Label SP537955	59
SP547030	43, 61	Lower Frame SP533801	11
SP547039	61	Lower Hinge 571651	109, 111
SP547040	61	575963	105
SP547041	61	575965	105
SP547042	61	Lower Rear Cover SP533384	23, 27, 31, 35, 39
SP552912	61	SP554326	23, 27, 31
SP556256	61	Lower Weight SP533784	9
SP557566	69, 71, 73	SP533814	9
SP557571	51	Lubrication Grease PRI702000010	189
SP557572	51	SP111313000002	191
SP557577	43		
SP557578	43		
SP557581	43		
SP557584	43		
SP559376	51		
SP560747	69, 71, 73		
SP560748	69		
SP560757	61		
SP560763	51		
SP560764	51		
547087	69		
547088	69, 71, 73		
Kit of Hinges 570553	109		

L	
Label	
SP547050	61
SP562738	61
SP563293	61
SP564831	105
524740	151, 155
557981	147
560786	29
564844	23
567186	51
570371	159, 163, 167, 171
572486	7
572487	7
576337	7
579019	159, 163, 167, 171
Label Covering 567925	75
Lath SP547574	59

M

Main Switch	
SPPRI404000097 ..	145, 151, 155, 159, 163, 167, 171
SPPRI404000098 ..	145, 151, 155, 159, 163, 167, 171
SPPRI404000099 ..	145, 151, 155, 159, 163, 167, 171
SPPRI404000199 ..	155
SPPRI404001098 ..	145, 151, 155, 159, 163, 167
SPPRI404001099 ..	145, 151, 159, 163, 167
SP506407	145, 151, 155, 159, 163, 167
Main Switch Knob SPPRI404000095 ..	149, 151, 155, 159, 163, 167, 171
Main Vessel SP540115	119, 123, 125, 127, 129, 131
Main Wiring	
SP528429	145
SP552476	145
SP557769	145
568394	202
Manifold Flush Kit	
529789	195
529797	195
529798	195

N/A items do not appear in index.

529799	195
529800	195
Microswitch	
SP528309	11
568978	113
571634	183
Mixer	
SP526558	117, 121, 125, 127, 129, 131, 133, 135
Mixer Body	
SP526565	117, 121, 125, 127, 129, 131, 133, 135
Mixer Lid	
SP526557	117, 121, 125, 127, 129, 131, 133, 135
Module	
553189	39
Motor and Pulley	
SP555588	189
SP555589	189
SP557457	189
SP557458	189
571451	189
571452	189
Motor Holder	
SP533811	189
Motor Temperatur Protect Cable	
568398	202
Mounting Cone	
SP556115	191

N

Nose Assembly	
572584	81
573955	89
574129	85
574236	81
574239	85
574242	89
576035	83
576038	87
576041	91
576044	83
576047	87
576050	91
Nut	
F430225	113
F430232	113
SP101416	145, 151, 155, 159, 163, 167, 171
SP101419	145, 151, 155, 159, 163, 167, 171
SP309084000308	81, 83, 85, 87, 89, 91
SP310934000003	11
SP310934000004	43, 51, 59, 69, 71, 73, 75, 77, 79, 81, 85, 87, 89, 91, 93, 95, 145, 149, 153, 157
SP310934000006	185
SP310934000008	189
SP310934000010	11
SP310934000012	193
SP310934000020	11
SP310934100006	145, 153, 157, 161, 165, 169, 173
SP310934240004	113
SP310934240006	183
SP310934240008	179, 183
SP310985000006	29, 41, 103, 107, 109, 111, 183, 189
SP310985000008	9, 11
SP310985000010	11

SP310985000012	179, 181, 189
SP313251000006	21, 25, 29, 33, 41, 175
SP313251002104	103
SP510923	11
SP510929	185
SP514193	27, 33
567166	185
567170	185
571635	183

O

O-Ring	
567168	185
567169	185
Oscillation Limiter	
SP533388	9
Overflow Tube	
SP547897	117, 121, 133, 135, 141, 143
Overlay	
573928	81, 83
573937	85, 87
573952	89, 91
574218	81, 83
574221	85, 87
574224	89, 91

P

Panel Holder	
SP533296	29
SP557623	21
SP560303	25
567975	33
573939	39
Pin	
SP540117	119, 123, 125, 127, 129, 131
Pin Insertion	
SP520408	11, 21, 23, 25, 29, 33, 41, 43, 51
Pipe	
570807	201
Pipe Nipple	
SPPRI426001217	121, 129, 131
SPR22112000114	175, 177
SP510120	121, 129, 131
Plasticine	
563260	105
Plate of Closing	
568941	113
Plug	
SPPRI426001268	175, 177
567053	133, 135
Profiled Sealing	
SPPRI505000058	25, 33, 139, 153, 157, 161, 165, 169, 173, 183
Programmer Holder	
SP547571	59
SP550005	59
SP557618	43
SP558896	51
569578	33
573934	39

N/A items do not appear in index.

Programming Cable F8600501	43, 51, 59	Roller SP363727	11
Pump		RS485 External Interconnection SP547075	202
529742	195		
529743	195		
529744	195		
529745	195		
529746	195		
567076	135		
Pump Board		Screw F430977	113
567122	185	SP309798124313	119, 123, 125, 127, 129, 131
Pump Relay Board to LED Terminal Cable SP528150	149	SP310934000004	83
		SP520407	83, 87, 91
		SP526497	117, 121, 125, 127, 129, 131, 133, 135, 139, 153, 157, 161, 165, 169, 173
		SP529206	29, 31, 33, 41, 93, 95, 119, 123, 125, 127, 129, 131, 137, 139, 141, 143, 145, 149, 153, 157, 161, 165, 169, 173, 193
<hr/>			
R			
Rear Cover		Seal	
SP547882	23, 25, 29	SPPRI520001009	117, 121, 133, 135
SP554242	193	SP510986	183
570469	35, 39	SP517232	9, 21, 25, 31, 41
Rear Panel		SP526564	175, 177
SP547880	147	SP537821	179, 183
SP554384	147	564202	33, 185
574200	167	Sealant	
577195	151, 155	SPPRI704000053	117, 179
Rear Panel Assembly		Sealing Ring	
567982	159, 163	SP506475	191
574200	171	SP537879	191
Rear Panel Lid		Self-Adhesive Pad	
SP526567	149	SPMEC001410	43, 51
Rear Spring Holder		Self-Adhesive Profile	
SP555495	13, 15, 17, 19	570387	159, 163, 167, 171
Reduction		Service Door Kit	
567174	117, 121	568989	103, 105, 109, 111
Reinforcement		Shaft Ring	
SP558881	21	SP552982	179, 183
SP558945	25	Shim	
573228	137	SP550033	189
Reinforcement Tube		568804	105, 109, 111
SP500125	139, 141, 143	Side Board	
Relay		570391	59
SP514057	147	570392	59
SP514134	159, 163, 167, 171	Side Cover	
Relay Case		SP554225	193
SP506586	147, 159, 163, 167, 171	Side Panel	
Relay Clamp		SP550330	29
SP514135	147, 159, 163, 167, 171	SP550332	31
Retaining Ring		SP550354	29
SPPRI242000014	191	SP550356	31
SP307732031130	191	SP557024	21, 25
Reverse Function Drain Valve		SP557025	23, 27
SP547821	139, 141, 143	SP558988	25
Right Cover		SP558990	27
574792	201	563484	29
Rim		563486	31
SP562547	105, 109	563512	21
573189	105, 109	563514	23
Rivet		572011	37
SP313250004007	145	572012	37
SP313250048008	21, 25, 29	573054	37
SP313250048103	41	573056	37
SP547779	11, 21, 23, 25, 29, 33, 41, 43, 51, 103, 183	574057	37
505479	13, 15, 17, 19	574068	37
558054	141, 143		

N/A items do not appear in index.

311 00 3111

vse

+7(812)937-08-81

Side Panel Assembly	574163	39	Steam Valve	SP514164	175, 177
	574164	39	Steam Valve Body	SP514165	175, 177
	574167	39	Steam Valve Cable	SPPR351000161	202
	574168	39	Steam Valve Support	SP5147873	175, 177
Side Sheet Metal	SP547506	59	Sticker	568308	147
	SP547507	59	Suction Tube	529787	195
Sidewall	572571	81, 85, 89	Supply Pump Kit	MB90-Z40	195
	572572	81, 85, 89		MB90-Z41	195
	572586	81, 85, 89		MB90-Z42	195
	572588	81, 85, 89		MB90-Z43	195
	573929	81, 83, 85, 87, 89, 91		MB90-Z44	195
	576069	83, 87, 91	Support Rail	SP541442	193
	576070	83, 87, 91	Switch	SP100388	149, 151, 155, 159, 163, 167, 171
Soap Hopper	SP540164	119, 123	Switching Unit	SP528312	43, 51, 59, 69, 75, 81, 83
	SP554214	119, 123	<hr/>		
Soap Hopper Assembly	SP540164	125, 127, 129, 131	T		
Soap Hopper Plug	SP526468	119, 123, 125, 127, 129, 131	Tape	SP284000012003	29, 43, 51, 59, 69, 71, 73, 75, 77, 79, 183, 193
Soap Hopper Upper Cover	SP540112	119, 123, 125, 127, 129, 131		SP510846	43, 51, 59
Soap Link Kit	SP557944	149, 151, 155	Tee	SPPRI426001107	121, 129, 131
Soap Pump Kit	SP567105	185, 187		SP526454	139, 141, 143
	SP567106	185, 187	Temperature Sensor	SP503839	129, 131
Soap Relay Board	SP524714	149		503839	117, 121, 125, 127, 133, 135
	524714	151, 155	Temperature Sensor Seal	SP526439	117, 121, 125, 127, 129, 131, 133, 135
	553187	159, 163, 167, 171	Tensioning Angle Piece	SP533326	189
Spacer	F431901	113		SP547705	189
Speed Sensor	SP557701	189	Terminal Board	SPPRI350000007	93, 95
Speed Sensor Holder	SP555547	189		SP506575	147
Speed Sensor Plate	SP555542	189	Thorn	567152	185
Spiral	SP283449080200	139, 141, 143	Top Cover	SP550309	29
Spring	SP505372	13, 15, 17, 19		SP555670	29
	SP533870	11		SP557029	21
	SP533871	11		SP558937	25
Spring Clamp	SP540183	139, 141, 143		567879	21
Spring Holder	SP533872	11		574208	39
	SP533873	11		574255	39
Steam Filter	SP405054120215	175, 177	Top Cover Assembly	569651	37
Steam Heat Wiring	528064	202		571006	37
Steam Hose	SP526528	175, 177	Top Cover Reinforcement	SP547703	21, 25, 29, 39
Steam Injector	SP526525	175, 177		567826	33
Steam Kit	SP554340	175	Torsion/Door Lock Spring	571612	113
	555355	177			

N/A items do not appear in index.

T-Part	
567172	135
Transformer	
SP516648	145, 159, 163, 167, 171
564561	159, 163, 167, 171
Transformer Connection	
528350	202
552495	202
Transformer Kit	
579014	159, 163, 167, 171
Transformer Supply Wiring	
574406	202
Transformet	
SP516648	155

U

U Shape	
SP556999	27
SP557000	27
568063	27
Upper Frame	
SP533806	9
Upper Hinge	
571650	109, 111
575960	105
575962	105
Upper Lid Prop	
SP533341	21, 25, 29, 39
USB Cable	
SP547006	149, 151, 155, 159, 163, 167, 171
569668	93
USB Connection	
SP557744	51

V

Valve, 1-Way	
SP554211	121
SP567064	121, 129, 131
Valve, 2-Way	
SP547958	117, 127
Valve, 3-Way	
SP547959	117, 121, 125, 127, 129, 131
570195	133, 135
Valve, 4-Way	
SP548933	117, 125, 129, 131
Vent Hose	
SP526509	135
SP526510	117, 121, 125, 127, 129, 131, 133
Vibration Switch Assembly	
SP547758	11
Vibration Switch Holder	
SP547759	11
V-Pulley Drum	
SP547706	189

W

Washer	
F8193101	113

N/A items do not appear in index.

SPPRI231000062	121, 129, 131
SP5200002	21, 25
SPPRI523000007	153, 157
SP311125000003	11, 81, 83, 85, 87, 89, 91
SP311125000004	59, 75, 77, 79, 145, 149, 153, 157, 161, 165, 169, 173
SP311125000006	21, 25, 175, 177
SP311125000013	179, 181, 193
SP311125240006	145, 153, 157, 161, 165, 169, 173
SP311125240004	113
SP311125240006	147, 153, 157, 161, 165, 169, 173, 183
SP311125240008	179, 183
SP311127000003	81, 83, 85, 87, 89, 91
SP311127000004	33, 75, 77, 79, 145, 149, 153, 157, 161, 165, 169, 173, 185
SP311127000006	21, 25, 161, 165, 169, 173, 175, 177, 185
SP311127000010	193
SP311127000012	193
SP311679800003	11, 33, 41, 43, 51, 59, 69, 71, 73
SP3116798000049	11, 31, 41, 43, 51, 59, 69, 71, 73, 75, 77, 79, 81, 83, 85, 87, 89, 91, 153, 157, 161, 165, 169, 173
SP311679800006	183
SP311679824004	113
SP311679824006	145, 147, 153, 157, 161, 165, 169, 173
SP311902100004	11, 27, 33, 43, 51, 59, 69, 75, 77, 79, 81, 83, 85, 87, 89, 91, 165, 173, 185
SP311902100006	29, 41, 107, 109, 111, 161, 165, 169, 173, 185
SP311902100008	139, 141, 143
SP311902100010	11, 193
SP311902100012	189
SP505430	161, 165, 169, 173
SP511924	189
SP525284	9
SP537898	179, 181
SP547981	175, 177
550446	23, 27, 31
563361	145
571642	105, 109, 111
576338	41
Washing Drum	
SP563268	179, 183
537830P	179, 183
563248	179, 183
Water Heater	
SP562736	185, 187
SP562749	185, 187
Water Hose	
F200164	117, 121
Water Level Switch	
562708	143
570315	141, 143
Water Level Switch Holder	
570373	141
573199	143
Water Level Switch Hose	
SPPRI540001003	139, 141, 143
Water Softener	
SP562737	185, 187
SP562750	185, 187
Waters Level Sensor	
SP562708	139

Weighing System Kit	
554218	193
Wet Cleaning Kit	
F8654201	187
Wireless Reader Wiring	
552466	202
Wiring Diagram	
SP568307	202
552385	202
574404	202
Wiring Steam - Electrical Heating	
528393	202

Зип Общепит

vsezip.ru

+7(812)987-08-81

Y

Y-Piece	
SPPRI503000028	139, 141, 143

Numerics

1-Way Valve	
573621	117, 121

Зип Общепит
vsezip.ru
+7(812)987-08-81