



Virtus®

Вирт Общепит

vsezip.ru

Group

+7(812)987-08-81

Service



Virtus s.r.l.

via Milano 95/e
27045 Casteggio (PV) / Italy

+39 0383 89 06 12
+39 0383 80 96 01

www.virtusnet.eu

Virtus Group GmbH

Hüserstraße 53
59075 Hamm / Germany

+49 (0) 23 81 / 973 71- 0
+49 (0) 23 81 / 973 71- 88

www.virtusnet.de

SLF190

Зип Общепит
vsezip.ru

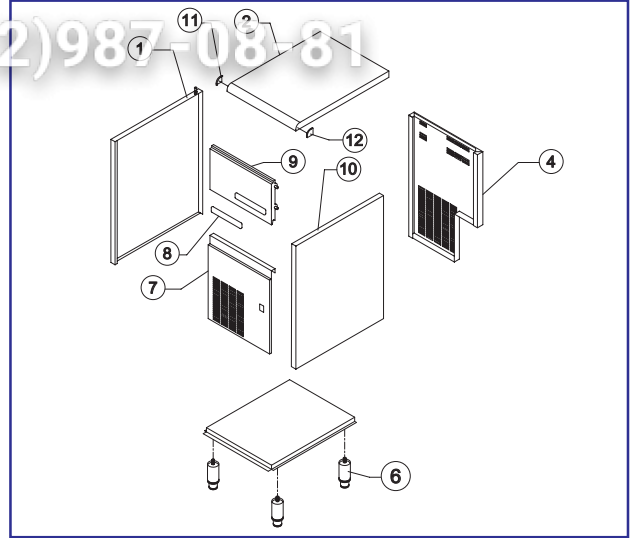
LIST OF THE EXPL

Rev. 7 - 10/09/2010

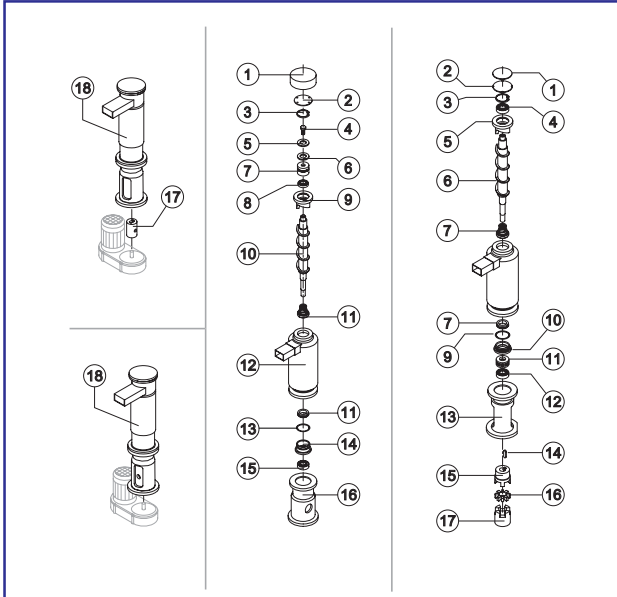


SHELL ASSY

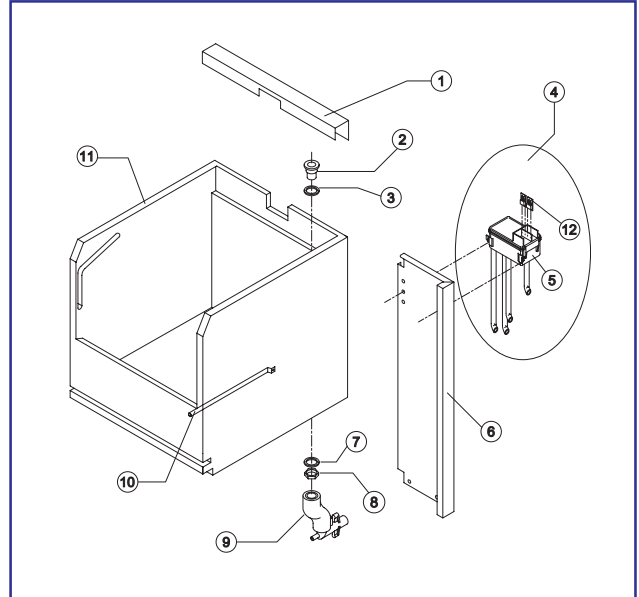
+7(812)987-08-81



EVAPORATOR



HYDRAULIC CIRCUIT



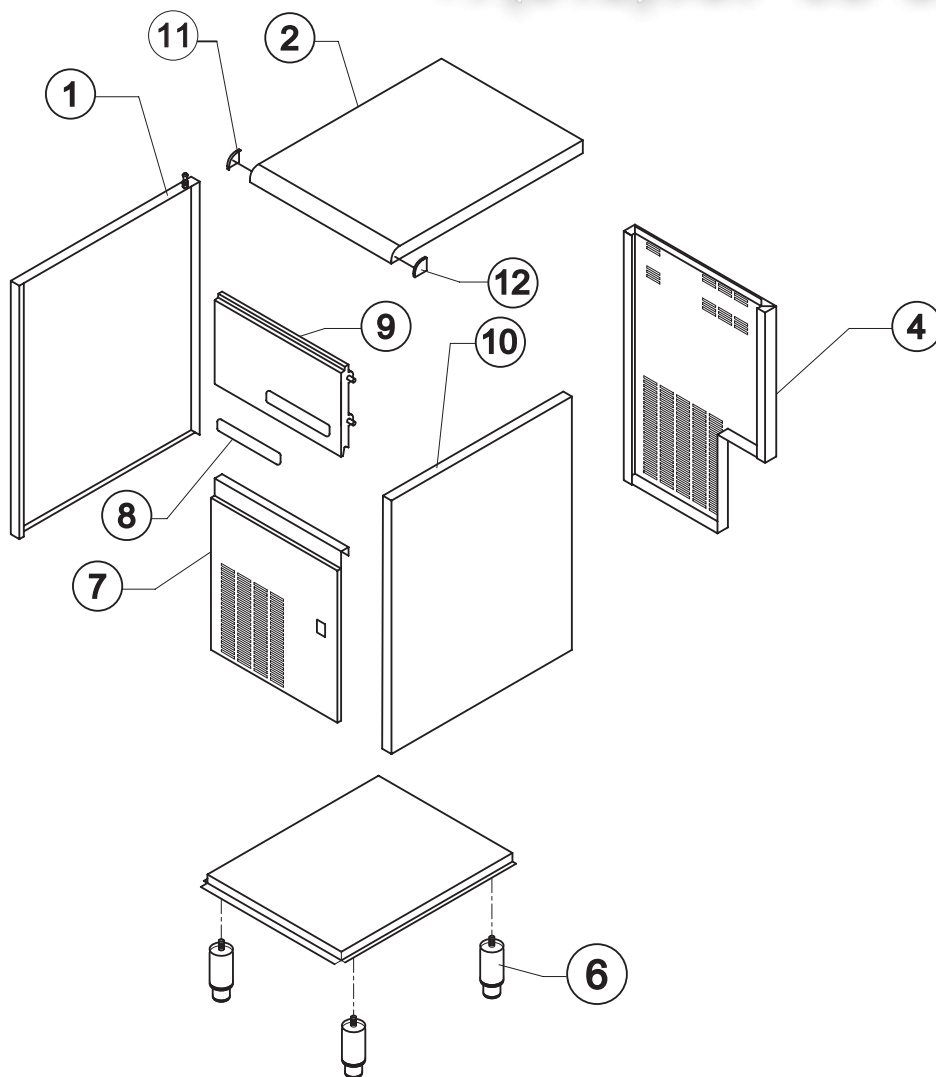
SLF190

Зип Общепит

vsezip.ru

+7(812)987-08-81

Rev. 7 - 10/09/2010



Ref.	Span
1	Left SidePanel Assembly
2	Top
4	Grey Rear Panel
6	Foot Adjustable
6	Foot
7	Front Panel
8	Resinate Logo
9	Door Assembly
10	Right Side Panel Assembly
11	Left TopProtection
12	Right Top Protection

SLF190

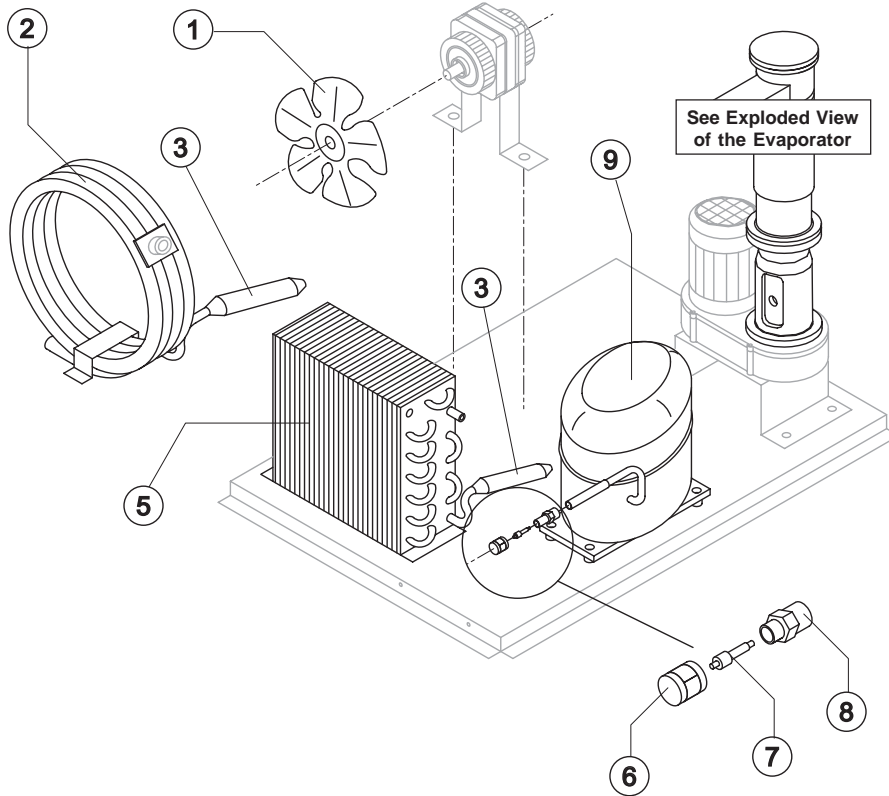
Зип Общепит

vsezip.ru

COOL

+7(812)987-08-81

Rev. 7 - 10/09/2010



Common Parts

Ref.	Spare De
3*	Molecular Drier
6*	Vacuum-Charge Valve Plug
7*	Vacuum-Charge Valve Device
8	Vacuum-Charge Valve Body
9	Compressor

Parts for Air-Cooled Version Only

Ref.	Spare De
1	Sucking Fan
5	Air Condenser

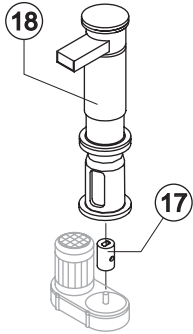
Parts for Water-Cooled Version Only

Ref.	Spare De
1	Sucking Fan
2	Water Condenser

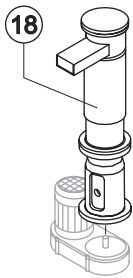
Ref. 1 - Sucking Fan

Tension	Code
220/240V 50 Hz	N20096
220/230V 60 Hz	N20095
110/115V 60 Hz	N20095

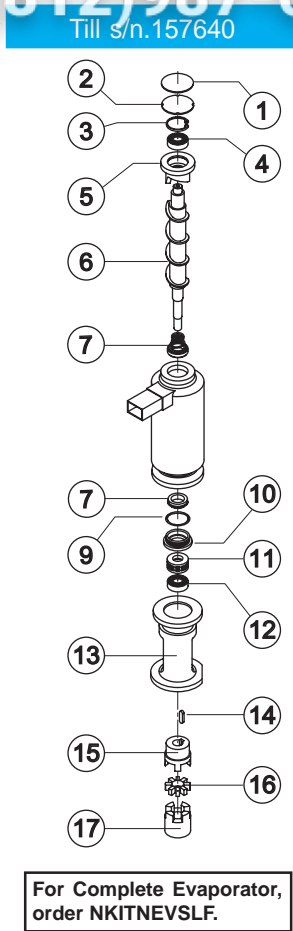
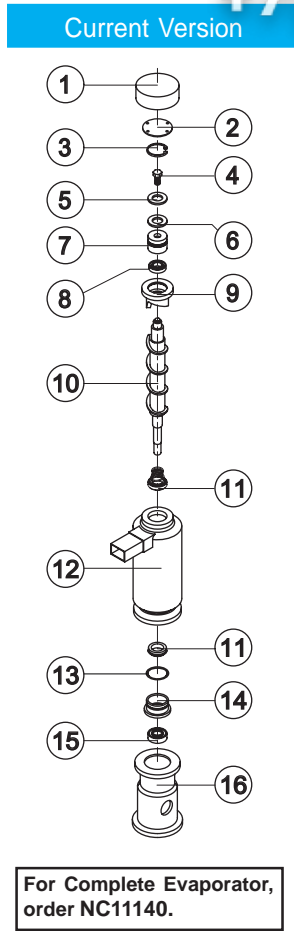
Rev. 7 - 10/09/2010



NC11140.



NKITNEVSLF

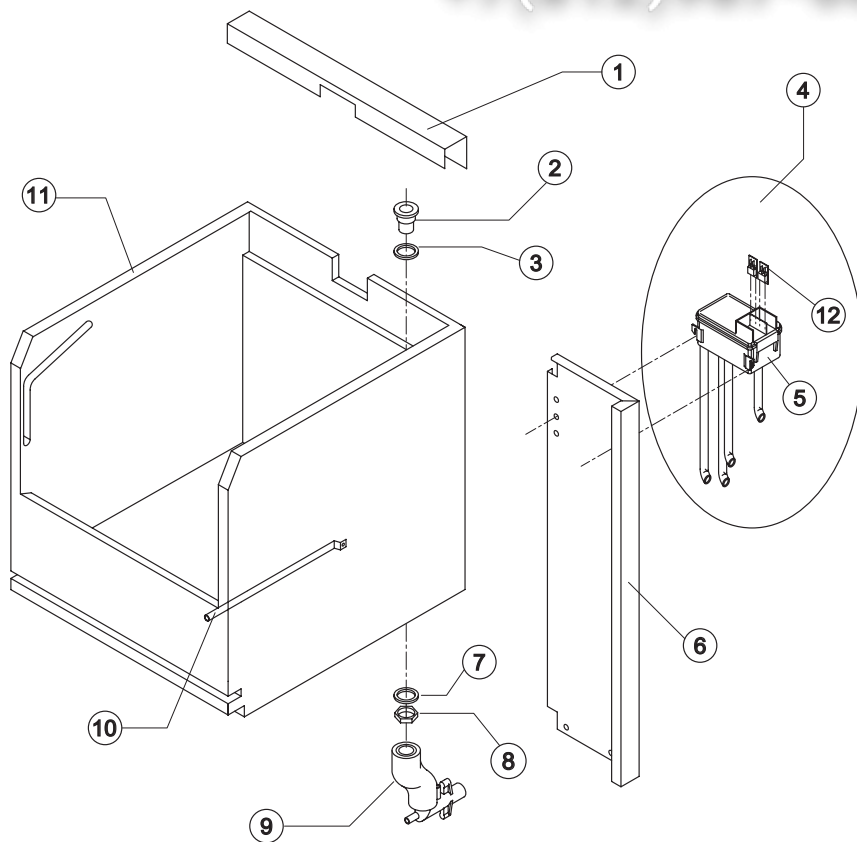


Ref.	Spare Description
1	Insulating Top Panel
1	Insulating Top Panel
2	Closing Disk
3	Seeger
4	Stainless Steel Screw
4	Stainless Steel Screw
5	Shimming Disk
6	Self-Lubricating Disk
7	Stainless Steel Thrust Bearing
8	OR Gasket 3087
8	Seal Ring
9	Ice Breaker
10	Auger
10	Auger with Screw
11	Ceramic Seal
12	Insulated Evaporator
13	OR Gasket 3162 NBR70
14	Reduction Ring
14	Reduction Ring
15	Stainless Steel Bearing
15	Stainless Steel Bearing
16	Flange
17	Joint
17	Joint
18	Evaporator Assy
18	Evaporator Assy

Ref.	Spare Description
1	Insulating Cover
2	Closing Disk
3	Seeger Ring
4	Stainless Steel Upper Bearing
5	Ice Breaker
6	Auger
7	Ceramic Seal
9	OR Gasket 3162 NBR70
10	Reduction Ring
11	Stainless Steel Thrust Bearing
12	Stainless Steel Bearing
13	Machined Joint Flange
14	Key
15	Semi-Joint
16	Vibration-Damping Elastomer
17	Semi-Joint
18	Evaporator Assy

+7(812)987-08-81

Rev. 7 - 10/09/2010



Common Parts

Ref.	Spare De
1	Cover for Ice Exhaust
2	Water Outlet Nipple
3	Silicone Gasket
4*	Double Switch Basin Assembly
5	Double Switch Basin
6	Basin Support
7	Semirigid Polyethylene Gasket
8	Bin Discharge Nut
10	Bulb- holder Pipe
10	Bulb- holder Pipe
11	Insulated Bin Assembly
12	Microswitch

Parts for Air-Cooled Version Only

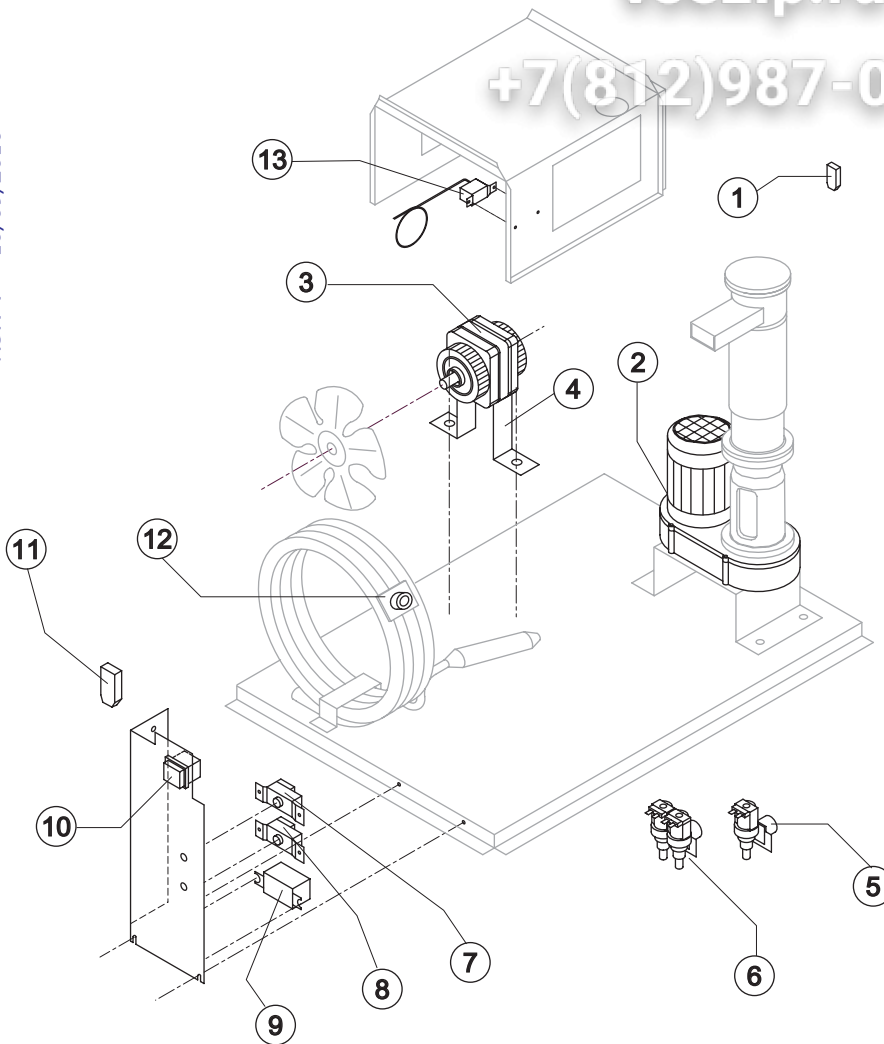
Ref.	Spare De
9	Discharges Manifold

Parts for Water-Cooled Version Only

Ref.	Spare De
9	Discharges Manifold

+7(812)987-08-81

Rev. 7 - 10/09/2010



Common Parts

Ref.	Spare
1	Anti Radio Interference Filter
2	Gearmotor
3*	Fan Motor
7*	Bin Thermostat
8*	Evaporator Thermostat
9*	Relay
10*	Green Light Switch (On-Off)
11	Anti Radio Interference Filter
13*	Condenser Pressure Switch

Parts for Air-Cooled Version Only

Ref.	Spare
4	Stirrup h.52
5*	1 Way - Water Inlet Valve

Parts for Water-Cooled Version Only

Ref.	Spare
4	Stirrup h.72
6*	2 Ways - Water Inlet Valve
12*	Safety Thermostat

Ref. 2 - Gearmotor

Tension	Code
220/240V 50 Hz	N23532
220/230V 60 Hz	N23532
110/115V 60 Hz	N23556

Ref. 3* - Fan Motor

Tension	Code
220/240V 50 Hz	N23029
220/230V 60 Hz	N23029
110/115V 60 Hz	N23683

Ref. 5* - 1 Way- Water Inlet Valve

Tension	Code
220/240V 50 Hz	N23115
220/230V 60 Hz	N23115
110/115V 60 Hz	N23410

Ref. 6* - 2 Ways- W

Tension
220/240V 50 Hz
220/230V 60 Hz
110/115V 60 Hz