

Зип Общепит

vsezip.ru



GBF-5P, GBF-10, AND GBF-20SC DESMON BLAST CHILLER/FLASH FREEZERS REPLACEMENT PARTS LIST

EFFECTIVE FEBRUARY 9, 2016

Superseding All Previous Parts Lists.

The Company reserves the right to make substitution in the event that items specified are not available.

ERRORS: Descriptive and/or typographic errors are subject to correction.

BLODGETT OVEN COMPANY

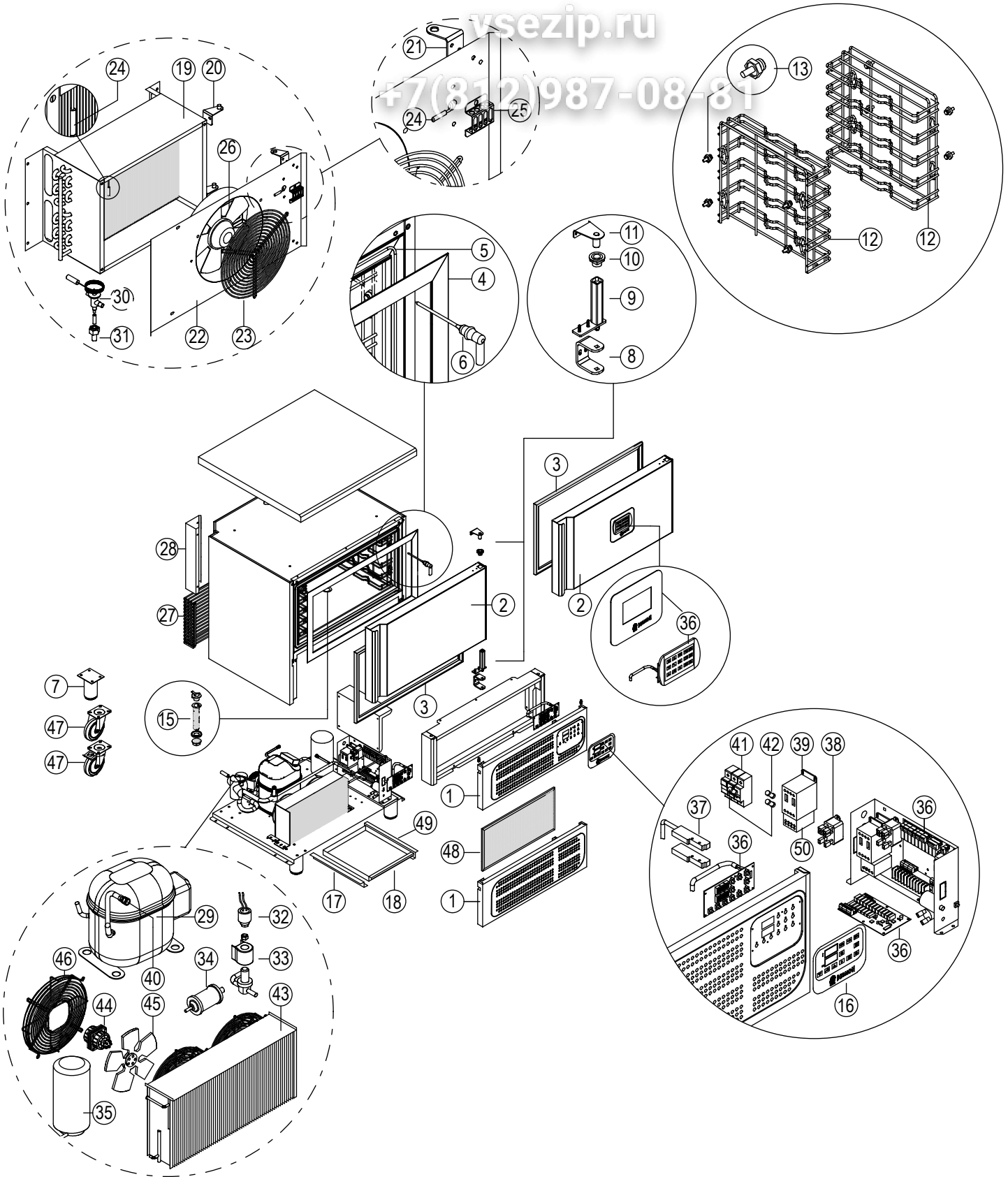
44 Lakeside Avenue, Burlington, Vermont 05401 USA Telephone: (802) 658-6600 Fax: (802) 860-3732
www.blodgett.com

P/N 80100 Rev A

Зип-Общепит

vsezip.ru

+7(812)987-08-81



GBF-5P

Зин Общепит

vsezip.ru

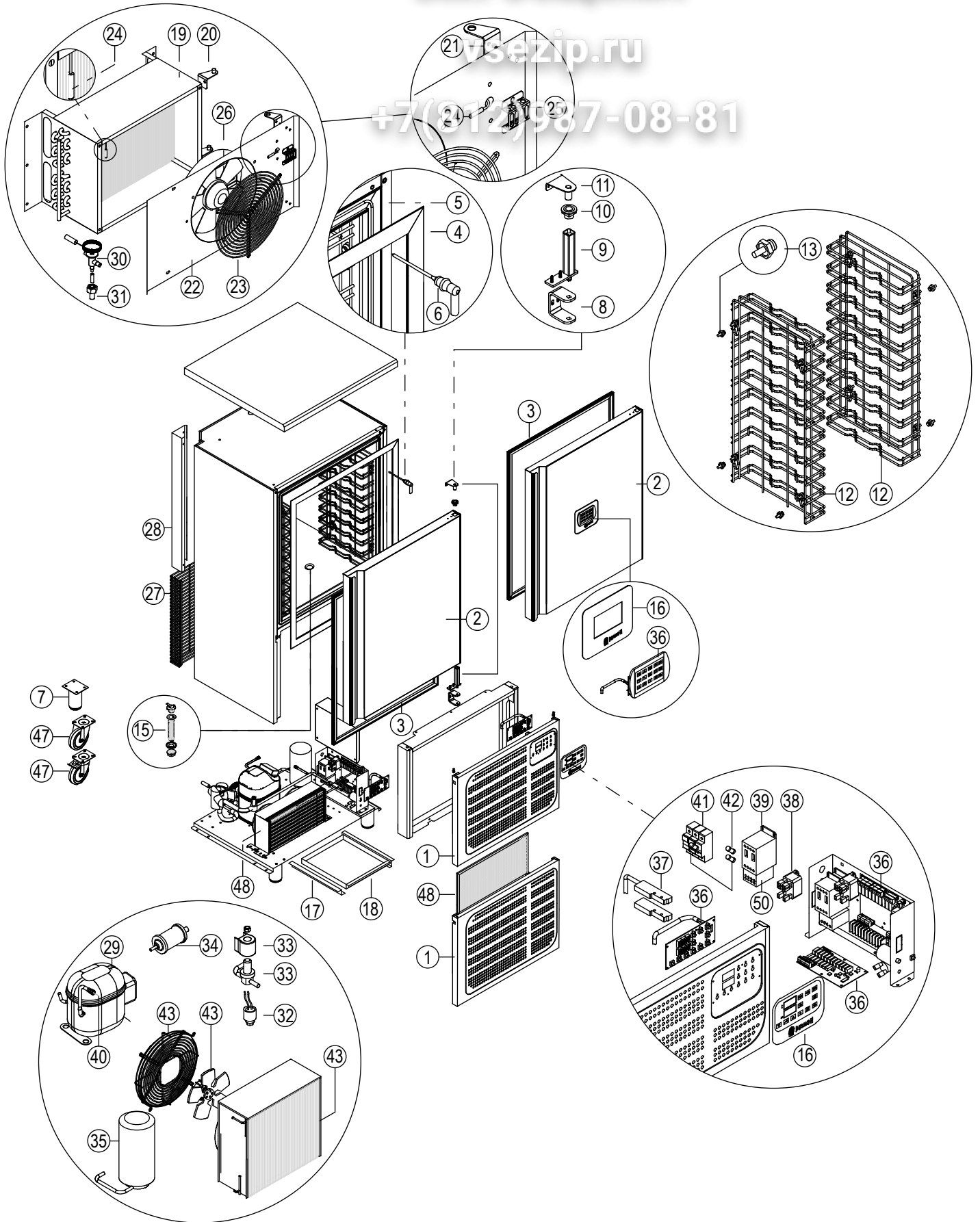
+7(812)987-08-81

| Ref. No. | Part No. | Description | Ref. No. | Part No. | Description |
|----------|----------|---|----------|----------|--|
| 1 | 80027 | FRONT PANEL GBF-5 (NO KEYBOARD, TS ON DOOR) | 36 | 80019 | KIT TOUCH SCREEN (INCLUDING PLASTIC FRAME) |
| 2 | 80029 | DOOR ASSY GBF-5 TS RIGHT HAND HINGED | 37 | 80020 | MAGNETIC SENSOR E5301CUL0294 |
| 2 | 80030 | DOOR ASSY GBF-5 TS LEFT HAND HINGED | 39 | 80065 | CONTACTOR BF250022050 220V/50/60HZ |
| 3 | 80031 | DOOR GASKET GBF-5G MM.383X730 | 40 | 80066 | COPPER VALVE 1/4 MM.300 VC-500-09 |
| 4 | 80032 | PLASTIC STRIP COVER | 41 | 80067 | FUSE BOX 10.3x38(UL) |
| 5 | 80033 | CORD HEATER 4W/M L2380 115V/UL | 42 | 80068 | FAST FUSE 10x38 600V AC 30A UL |
| 6 | 80099 | NEEDLE PROBE MULTICORE TS Pt1000 | 43 | 80069 | CONDENSER COIL SFT16251 10060166 |
| 8 | 80035 | REV. UPPER DOOR BRACKET BLAST CH. | 44 | 80070 | EL.MOTOR 16W-30-2 115V 60HZ UL-CSA |
| 9 | 80036 | HINGE WITH SPRING&STOP CT4000F | 45 | 80071 | FAN BLADE 230-26-5 ASP.STVF 139-93 |
| 10 | 80037 | NYLON BUSH FOR HINGE D.32 HOLE 14.2 | 46 | 80072 | AIR DUCT CF24 W/GRILL |
| 11 | 80038 | UPPER HINGE W/PIV. GBF-5 | 47 | 80073 | CASTER KIT GBF-5G/P |
| 12 | 80039 | SHELVE RACK (1 PC) GBF-5 ETL | 48 | 80074 | CONDENSER FILTER |
| 13 | 80040 | STEEL PIN FIX GRID BLASTCHILLER ETL | | | |
| 15 | 80041 | DRAINING PIPE BLAST CHILLER | | | |
| 15 | 80042 | DRAINING PIPE'S PLUG | | | |
| 16 | 80043 | DESMON BLAST CHILLER DECAL | | | |
| 17 | 80044 | LEFT HAND DRIP TRAY RUNNER GBF-5, NEW | | | |
| 18 | 80045 | DRIP TRAY 4LT GBF-5G/P NEW WELD | | | |
| 19 | 80046 | EVAPORATOR COIL GBF-5 | | | |
| 20 | 80047 | WELD.LOWER BRACKET EVAP.U.BLAST NEW | | | |
| 21 | 80048 | SUP HINGE BRACKET EVAP. GBF-15G | | | |
| 22 | 80049 | FAN MOTOR HOLDER GBF-5 W/OUT UV | | | |
| 23 | 80050 | FAN FINGUER GUARD 250 mm | | | |
| 24 | 80010 | NTC PROBE 3MT SN691300 | | | |
| 25 | 80011 | PROBE GUARD BLAST.GBF-5G/P NEW | | | |
| 26 | 80053 | FAN MOTOR A2E250-AL08-12 115V 50/60 | | | |
| 27 | 80054 | REAR GRIDDLE GBF-5 | | | |
| 28 | 80055 | REAR CORNER COVER GBF-5 | | | |
| 29 | 80056 | COMPRESSOR HU CAJ2464Z-A 115/60HZ | | | |
| 30 | 80057 | THERM.VALV.TES2 C/MOP-16EQ.EST. OR01 | | | |
| 32 | 80058 | HIGH PRESSURE SWITCH NSDHA00B39111 | | | |
| 33 | 80059 | SOLENOID VALVE EVR10 3/8 ODF10MM | | | |
| 33 | 80060 | DIN COIL ZB09 304011 110-120V/60Hz | | | |
| 34 | 80061 | FILTER DRIER | | | |
| 35 | 80062 | LIQUID RECEIVER RT-312V-TS 1,36LT | | | |

GBF-10

vsezip.ru

+7(912)987-08-81



GBF-10

Зин Общепит

vsezip.ru

+7(812)9870888

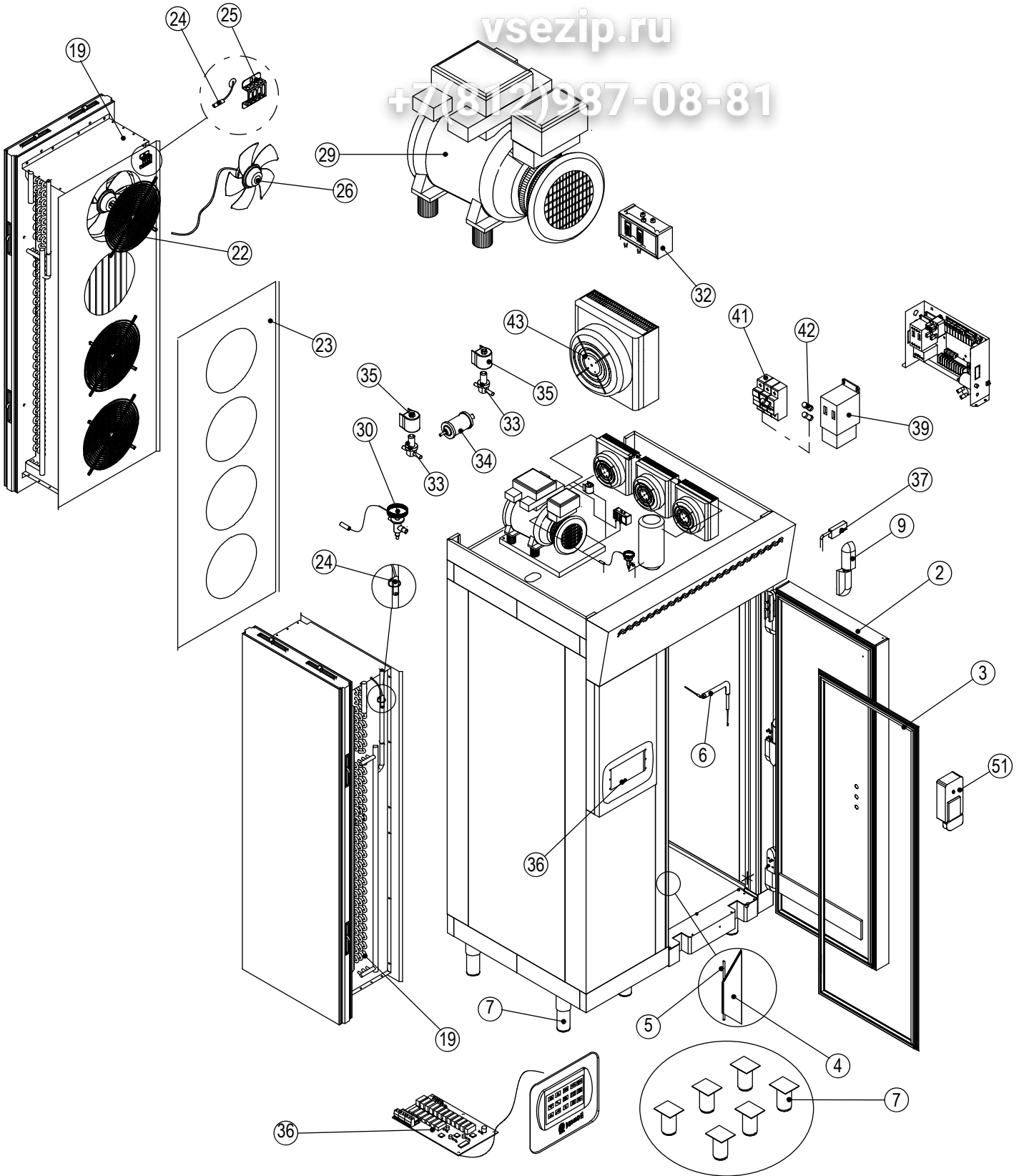
| Ref. No. | Part No. | Description | Ref. No. | Part No. | Description |
|----------|----------|---|----------|----------|--|
| 1 | 80027 | FRONT PANEL GBF-10(NO KEYBOARD, TS ON DOOR) | 33 | 80091 | VALVE EVR10 ODF12MM |
| 2 | 80080 | DOOR ASSY GBF-10 TS RIGHT HAND HINGED | 34 | 80092 | FILTER DRIER ODS 163S 10MM |
| 3 | 80081 | DOOR GASKET GBF-10 | 35 | 80093 | LIQUID RECEIVER RT 512V-TR 3,50LT |
| 4 | 80032 | PLASTIC STRIP COVER | 36 | 80016 | KIT TOUCH SCREEN (INCLUDING PLASTIC FRAME) |
| 5 | 80082 | FRAME HEATER 44W 220V L4400 CAB+ET139 | 37 | 80044 | MAGNETIC SENSOR E5301CUL0294 |
| 6 | 80004 | HEATED NEEDLE PROBE MULTICORE TS | 39 | 80065 | CONTACTOR BF250022050 220V50/60HZ |
| 8 | 80035 | REV. UPPER DOOR BRACKET BLAST CH. | 40 | 80066 | COPPER VALVE 1/4 MM.300 VC-500-09 |
| 9 | 80036 | HINGE WITH SPRING&STOP CT4000F | 41 | 80067 | FUSE BOX 10.3x38(UL) |
| 10 | 80037 | NYLON BUSH FOR HINGE D.32 HOLE 14.2 | 42 | 80094 | FAST FUSE 10x38 500V AC 20A UL |
| 11 | 80038 | REV. UPPER DOOR BRACKET BLAST CH. | 42 | 80068 | FAST FUSE 10x38 600V AC 30A UL |
| 12 | 80039 | SHELVE RACK (1 PC) GBF-10 ETL | 43 | 80095 | CONDENSER ASSY |
| 13 | 80040 | STEEL PIN FIX GRID BLASTCHILLER ETL | 47 | 80096 | KIT CASTORS GALV/ST.CABINET 700 GOL |
| 15 | 80042 | DRAINING PIPE'S PLUG | 48 | 80097 | CONDENSER FILTER |
| 15 | 80041 | DRAINING PIPE BLAST CHILLER | 50 | 80098 | THERMAL RELAY RF38 1400 9-14A |
| 17 | 80083 | WATER DRAINING TRAY RUNNER | | | |
| 18 | 80084 | MANUAL CONDENSATE PAN 540X240X70 | | | |
| 19 | 80085 | EVAPORATOR BLAS.GBF-10 DIS.10026886 | | | |
| 20 | 80047 | WELD.LOWER BRACKET EVAP.U.BLAST NEW | | | |
| 21 | 80048 | SUP HINGE BRACKET EVAP. GBF-15G | | | |
| 22 | 80086 | FAN MOTOR HOLDER GBF-10 W/OUT UV NEW | | | |
| 23 | 80008 | S/S FINGUER GUARD 300mm | | | |
| 24 | 80010 | NTC PROBE 3MT SN691300 | | | |
| 25 | 80011 | PROBE GUARD BLAST.GBF-5G/P NEW | | | |
| 26 | 80012 | EL.MOT. R09E-3030HA-4M-2553 D300 | | | |
| 27 | 80087 | REAR GRIDDLE GBF-15G | | | |
| 28 | 80088 | REAR CORNER COVER GBF-10 NEW | | | |
| 29 | 80089 | COMPRESSOR TFH2511Z-K 220V60Hz | | | |
| 30 | 80090 | THERM.VALV.TES2 C/MOP-16EQ.EST. OR03 | | | |
| 32 | 80058 | HIGH PRESSURE SWITCH NSDHA00B39111 | | | |

СВГ-20SC

Сиг Общепит

vsezip.ru

+7(812)987-08-81



GBF-20SC

Сип Общепит

vsekip.ru

+7(812)987-08-97

| <u>Ref. No.</u> | <u>Part No.</u> | <u>Description</u> | <u>Ref. No.</u> | <u>Part No.</u> | <u>Description</u> |
|-----------------|-----------------|-------------------------------------|-----------------|-----------------|--|
| 2 | 80000 | DOOR ASSY 621X1740X80 | 30 | 80014 | TX VALVE R404a 2230/M12SE |
| 3 | 80001 | DOOR GASKET 1927x850 | 32 | 80015 | HIGH/LOW PRESSURE SWITCH C17H4758B01 |
| 4 | 80002 | PVC PROFILE "MONOESTRUSO" R4192 6MT | 33 | 80016 | SOLENOID VALVE EVR10 3/8 ODF12MM |
| 5 | 80003 | FRAME HEATER 15W/M L.5550mm | 34 | 80017 | FILTER DRIER ODS 304S 12MM |
| 6 | 80004 | HEATED NEEDLE PROBE MULTICORE TS | 35 | 80018 | DIN COIL ZB09 304051 208-240/60UL |
| 7 | 80005 | S/S LEG 85X100 R.188-288 | 36 | 80019 | KIT TOUCH SCREEN (INCLUDING PLASTIC FRAME) |
| 9 | 80006 | DOOR HINGE WITH FLAG H45/67 | 37 | 80020 | MAGNETIC SENSOR E5301CUL0294 |
| 19 | 80007 | EVAPORATOR COIL GBF-20GN1/1 | 39 | 80021 | CONTACT.LOV.BF3800A230 38A230V50/60 |
| 22 | 80008 | INOX RACK 530X635 CABINET DEPTH80 | 41 | 80022 | FUSE BOX CL.J 600V60A 3/P ULCH60J3 |
| 23 | 80009 | FAN HOLDER PANEL 300mm GBF-20GN1/1 | 42 | 80023 | RAPID FUSE 45A CL.J600V ULIKS |
| 24 | 80010 | NTC PROBE 3MT SN691300 | 43 | 80024 | CONDENSER ASSY STVF 273 082046101 |
| 25 | 80011 | PROBE GUARD BLAST.GBF-5G/P NEW | 51 | 80025 | DOOR HANDLE ACTIVA 80 MM |
| 26 | 80012 | EL.MOT. R09E-3030HA-4M-2553 D300 | | | |
| 29 | 80013 | COMPR.FRASCOLD D2-15Y 230/3/60UL | | | |