

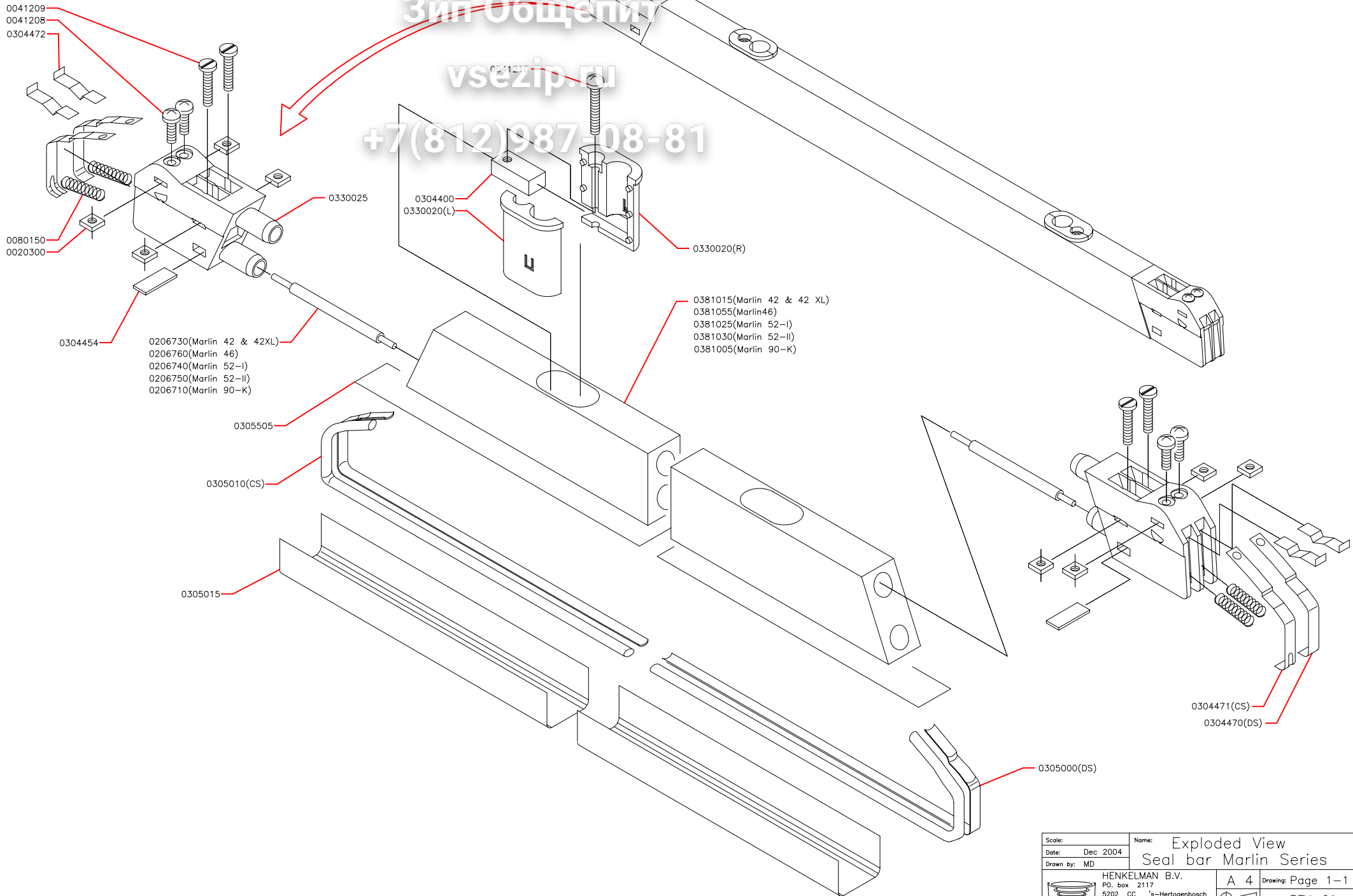
(DS) = DOUBLE SEAL
 (CS) = CUT-OFF SEAL
 (8mm) = 8mm SEAL

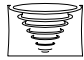
Scale:	Name: Exploded View
Date: July 2004	MARLIN 42 XL
Drawn by: MD	
HENKELMAN B.V. P.O. box 2117 5202 CC 's-Hertogenbosch Tel. ++31(0)73 - 6213671 Fax ++31(0)73 - 6221318 The Netherlands	
A 4 Drawing: Page 1-1	
Rev. no: 02	
<small>Ownership, modification, reproduction or distribution in third parties in any form is not permitted without written permission of the owner.</small>	

Зип Общий

vsezip.ru

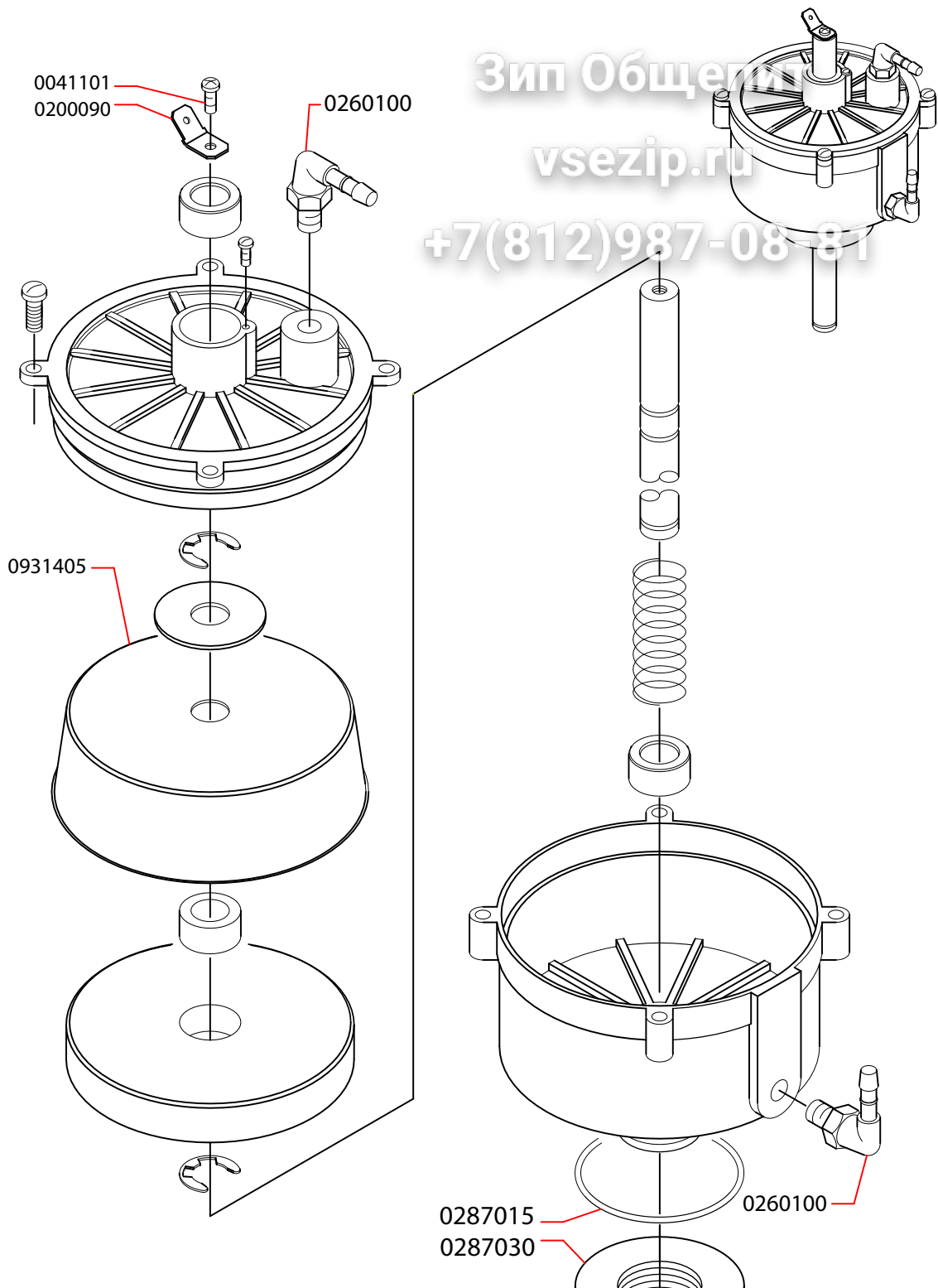
+7(812)987-08-81

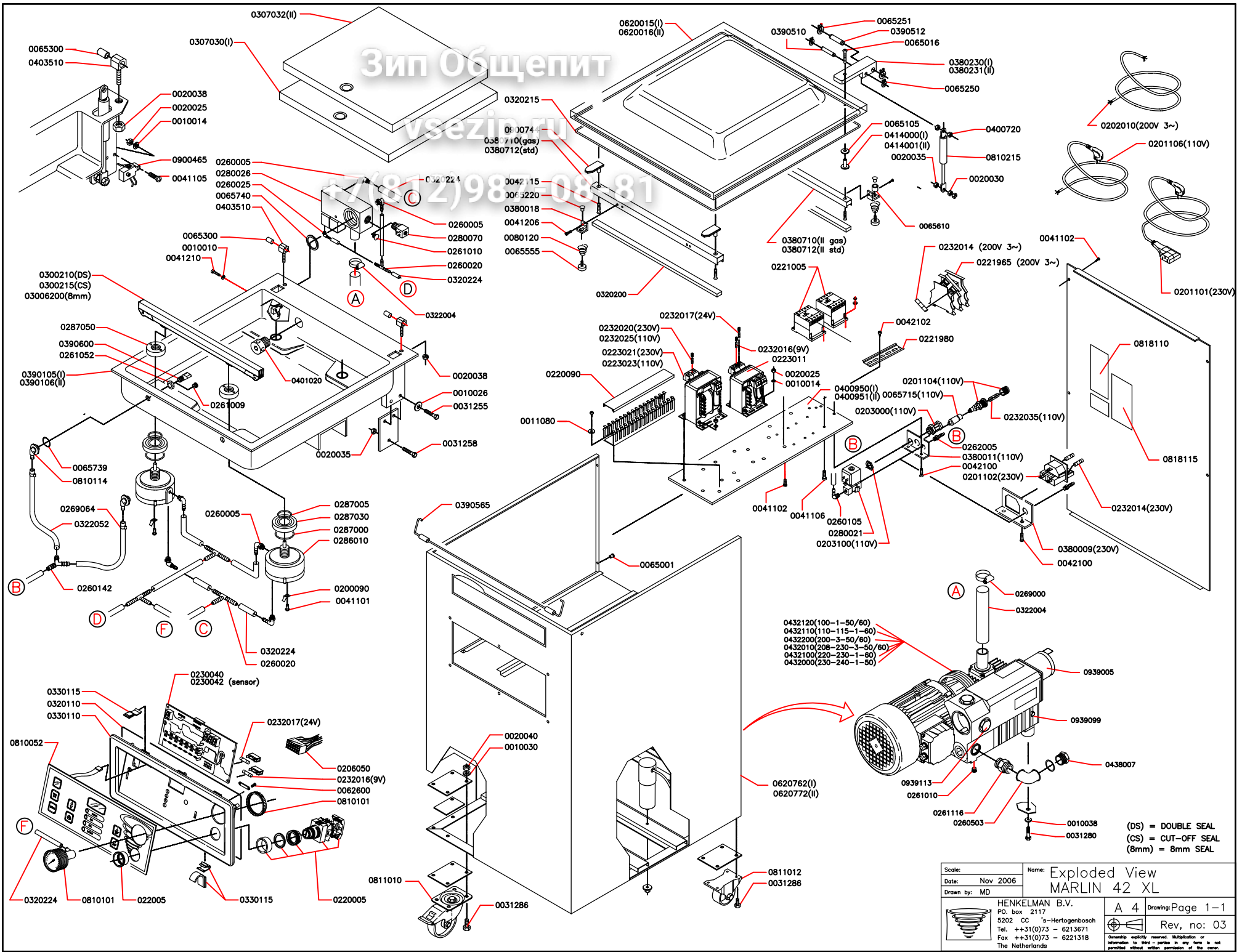


Scale:	Name:	Exploded View	
Date: Dec 2004	Seal bar Marlin Series		
Drawn by: MD	A 4 Drawing: Page 1-1		
	HENKELMAN B.V.		
	P.O. box 2117		
	5202 OC s-Hertogenbosch		
	Tel. ++31(0)73 - 6213671		
Fax ++31(0)73 - 6221318			
The Netherlands			REV. 01
<small>Ownership explicitly reserved. Multiplication or information to third parties in any form is not permitted without written permission of the owner.</small>			

Зип Общедомовое
vsezip.ru

+7(812)987-08-81





Зип Общепит

vsezin.ru
 (7) 8 (2) 987-08-81

(DS) = DOUBLE SEAL
 (CS) = CUT-OFF SEAL
 (8mm) = 8mm SEAL

Scale:	Name: Exploded View
Date: Nov 2006	Product: MARLIN 42 XL
Drawn by: MD	Company: HENKELMAN B.V.
5202 CC 's-Hertogenbosch Tel. ++31(0)73 - 6213671 Fax ++31(0)73 - 6221318 The Netherlands	
A 4 Drawing: Page 1-1	
Rev. no: 03	