



# VB 250

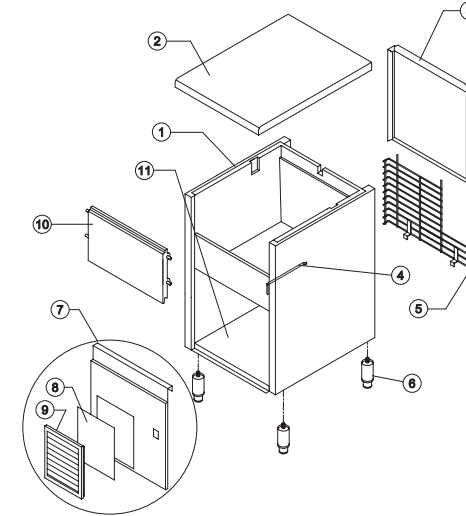
Зип Общепит  
vsezip.ru

# LIST OF THE EXPLODED VIEWS

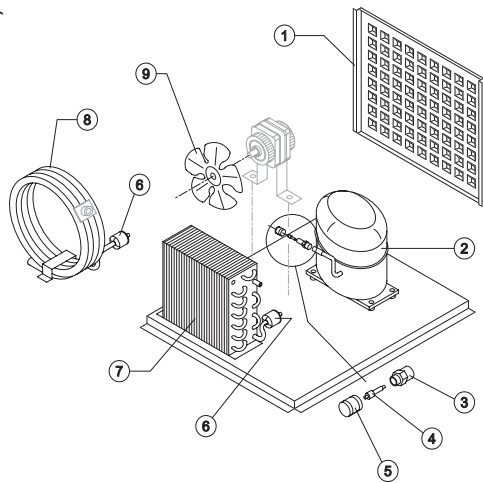
+7(812)987-08-81



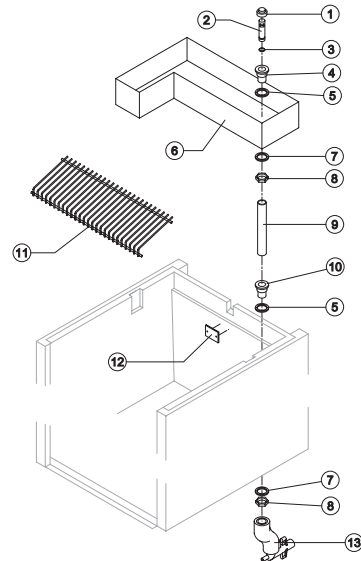
## SHELL ASSY



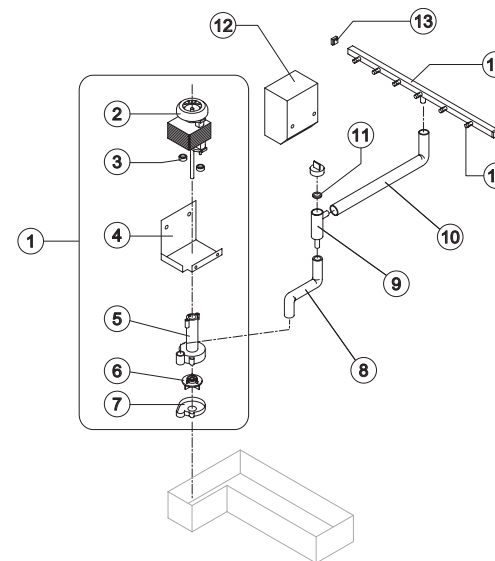
## COOLING SYSTEM



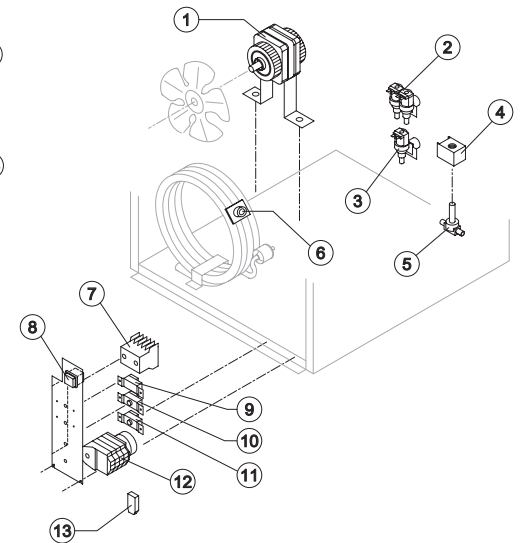
## HYDRAULIC CIRCUIT



## SPRAYER PUMP



## ELECTRIC PARTS



Rev. 1 - 12/6/2002



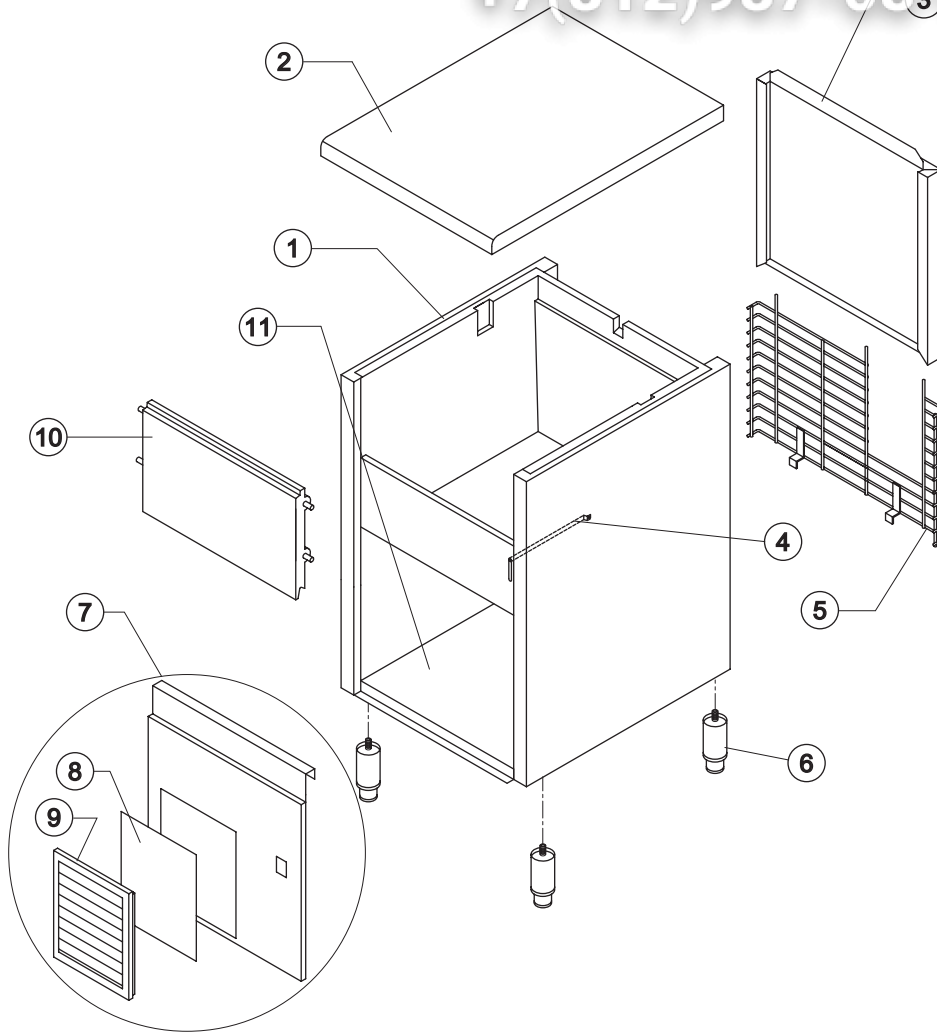
# VB 250

## Зип Ощепит

vsezip.ru

# SHELL ASSY

+7(812)987-08-81



Ref.	Spare Description	Code	
1	Foamed Cabinet Assy	C11100/E	
2	Top Assembly	C22673	
3	Back Panel Assembly	C22268	
4	Bulbe Thermostat Tube	Current Version	20522
4	Bulbe Thermostat Tube	Till s/n. 94946	20017
5	Rear Grid		D12059
6	Stainless Steel Foot Adjustable	Current Version	20613
6	ABS Foot	Till s/n. 142209	10040
7	Front Grid Panel		C22672
8	Filtering Panel		18106
9	Grid with Frame		C10205
10	Door Assy		C10275
11	Base Plate	Current Version	21280
11	Base Plate	Till s/n. 142209	C21036

Rev. 1 - 12/6/2002



# VB 250

## Зип Общепит

vsezip.ru

+7(812)987-08-81

# COOLING SYSTEM

### Common Parts

Ref.	Spare Description	Code
1	Evaporator	D10261
2	Compressor	See Table
3	Vacuum-Charge Valve Body	14007
4	Vacuum-Charge Valve Device	14005
5	Vacuum-Charge Valve Plug	14006
6	Solid Core Drier	14089

### Parts for Air-Cooled Version Only

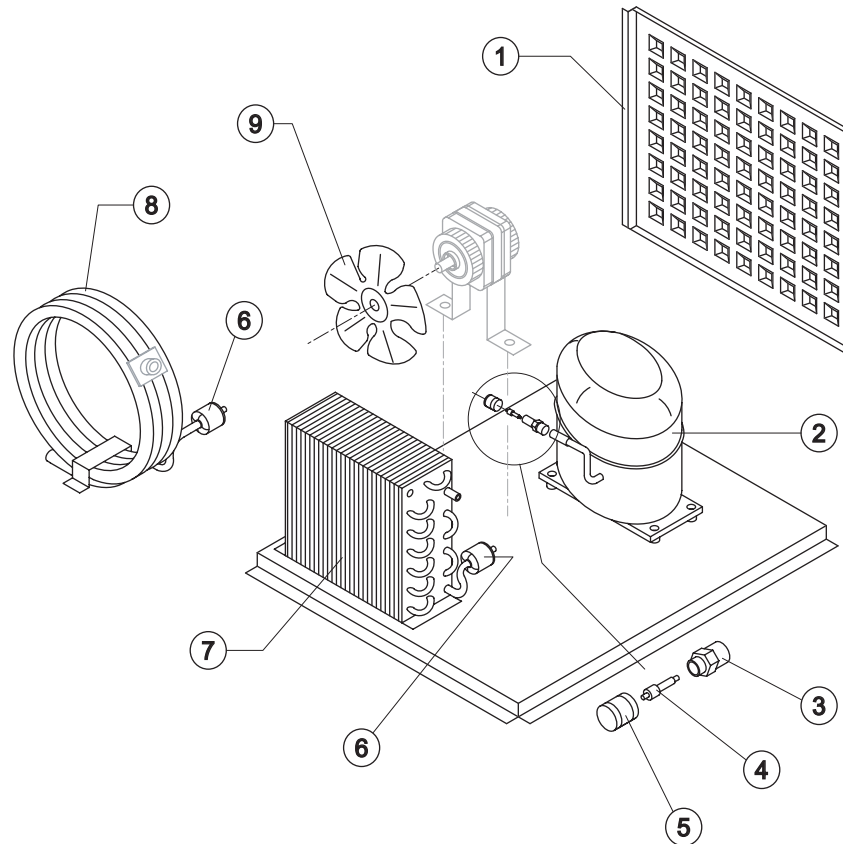
Ref.	Spare Description	Code
7	Air Condenser	20264
9	Suction Fan 254 / 31°	20031

### Parts for Water-Cooled Version Only

Ref.	Spare Description	Code
8	Water Condenser	14034

### Ref. 2 - Compressor

Tension	Code
220/240V 50 Hz	23503
220/230V 60 Hz	23504
110/115V 60 Hz	23553



Rev. 1 - 12/6/2002



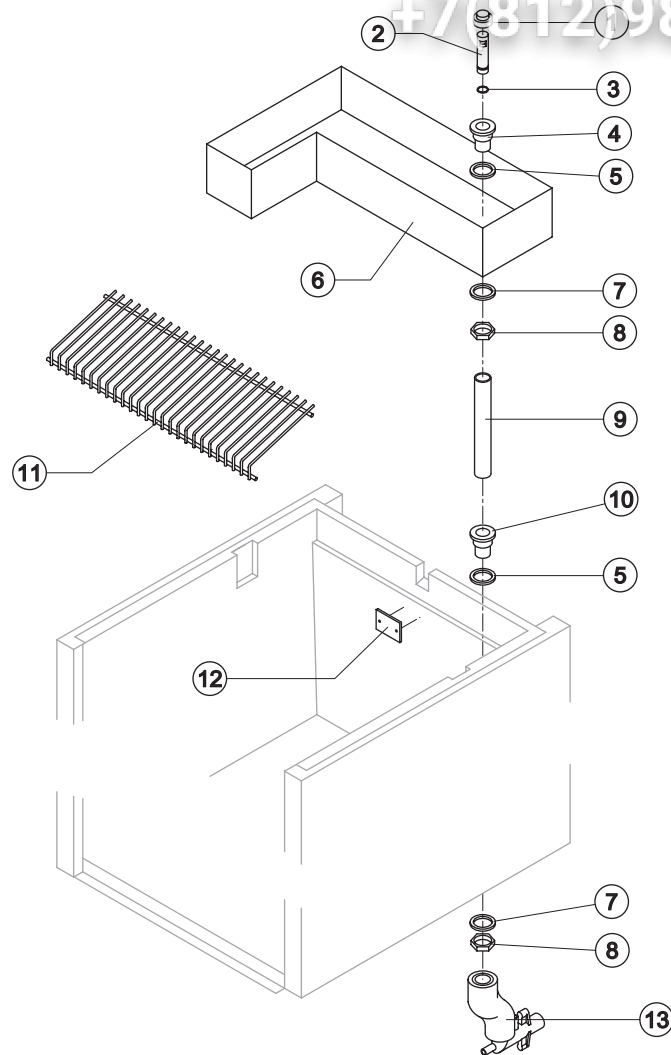
# VB 250

# Зип Общепит

vsezip.ru

# HYDRAULIC CIRCUIT

+7(812)987-08-81



### Common Parts

Ref.	Spare Description	Code
1	Overflow Cap	10305
2	Overflow Pipe	10133
3	OR Gasket for Overflow Pipe	20233
4	Overflow Pipe	10241
5	Silicone Gasket	13006
6	Basin	10260
7	Semirigid Polyethylene Gasket	13007
8	Bin Discharge Nut	10096
9	Overflow Pipe	13106
10	Plastic Nipple Water Outlet	10007
11	Ice Cubes Slide	D12057
12	Slide Keep Plate	10009

### Parts for Air-Cooled Version Only

Ref.	Spare Description	Code
13	Discharges Manifold	C10006

### Parts for Water-Cooled Version Only

Ref.	Spare Description	Code
13	Discharges Manifold	C26452

Rev. 1 - 12/6/2002



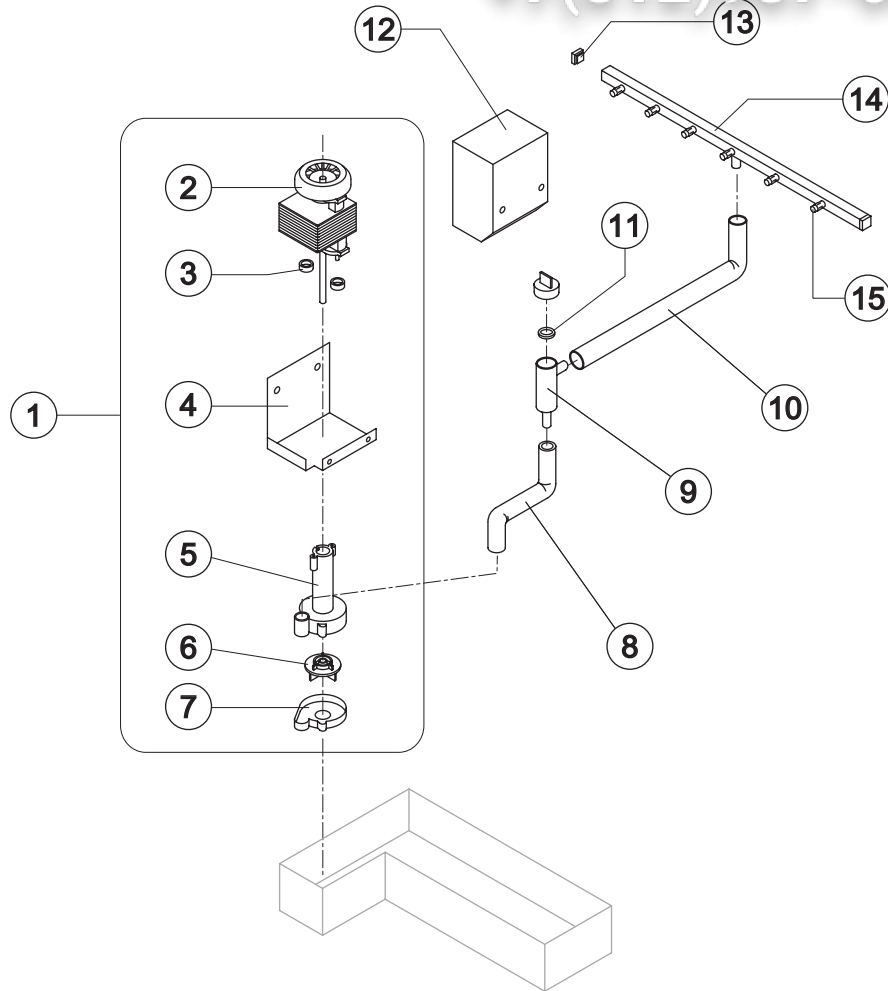
# VB 250

## Зип Общепит

vsezip.ru

# SPRAYER PUMP

+7(812)987-08-81



Ref.	Spare Description	Code
1	Pump Assembly	See Table -
2	Pump Motor	See Table -
3	Thickness Pump Motor	20510
4	Pump Bracket Square	22660
5	Pump Body	10065
6	Pump Imeller	10138
7	Diffuser	10067
8	Pump-Filter Connection Pipe	13113
9	Pump Filter	10139
10	Sprayers Feeding Pipe	13111
11	Pump Filter Gasket	13080
12	Pump Fender	10276
13	Sprayers Bar Plug	10012
14	Sprayers Bar Assembly	C20465
15	Sprayer	D20002

### Ref. 1 - Pump Assembly

Tension	Code
220/240V 50 Hz	C23566
220/230V 60 Hz	C23568
110/115V 60 Hz	C23567

### Ref. 2 - Pump Motor

Tension	Code
220/240V 50 Hz	23073
220/230V 60 Hz	23187
110/115V 60 Hz	23188

Rev. 1 - 12/6/2002



# VB 250

# Зип Общепит

## vsezip.ru

### +7(812)987-08-81

# ELECTRIC PARTS

### Common Parts

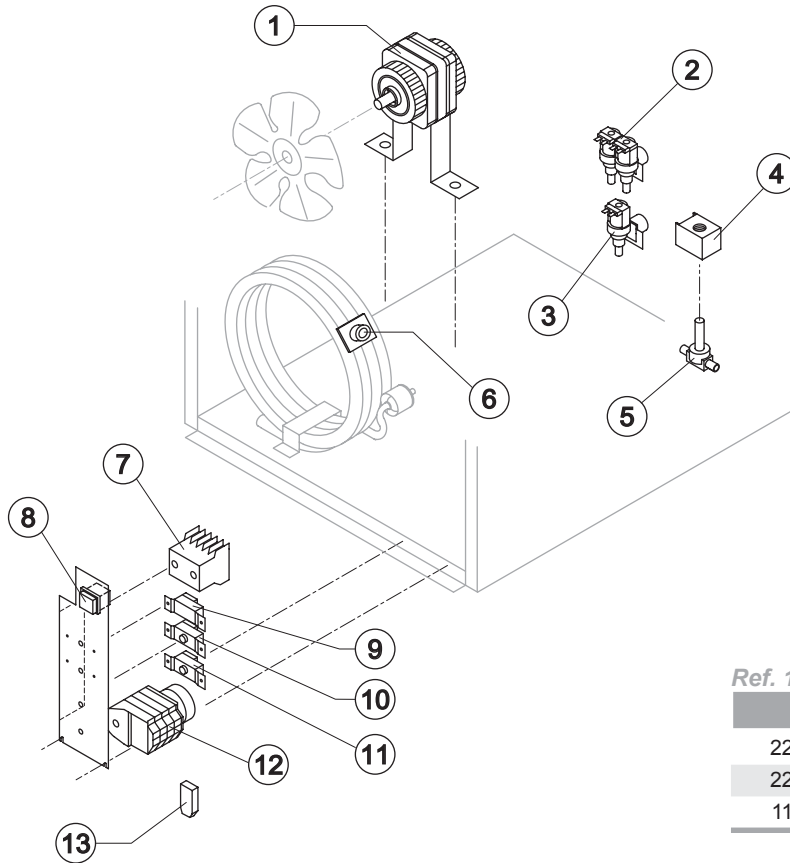
Ref.	Spare Description	Code
4	Hot Gas Coil	See Table
5	Hot Gas Valve Body	20409
7	Contactor	Only 110/115V 60 Hz 23595
8	Green Light Switch	23327
9	Condenser Pressure Switch	23175
10	Bin Thermostat	23005
11	Evaporator Thermostat	23591
12	Timer	See Table

### Parts for Air-Cooled Version Only

Ref.	Spare Description	Code
1	Fan Motor	See Table
3	Inlet Watervalve 1 Way	See Table
13	Anti Radio Interference Filter	Only 220V 50 Hz 23459

### Parts for Water-Cooled Version Only

Ref.	Spare Description	Code
2	Inlet Watervalve 2 Ways	See Table
6	Safety Thermostat	C23114
13	Anti Radio Interference Filter	Only 220V 50 Hz 23457



#### Ref. 1 - Fan Motor

Tension	Code
220/240V 50 Hz	23067
220/230V 60 Hz	23580
110/115V 60 Hz	23393

#### Ref. 4 - Hot Gas Coil

Tension	Code
220/240V 50 Hz	23091
220/230V 60 Hz	23091
110/115V 60 Hz	23256

#### Ref. 2 - Inlet Watervalve 2 Ways

Tension	Code
220/240V 50 Hz	23010
220/230V 60 Hz	23010
110/115V 60 Hz	23261

#### Ref. 3 - Inlet Watervalve 1 Way

Tension	Code
220/240V 50 Hz	23001
220/230V 60 Hz	23001
110/115V 60 Hz	23260

#### Ref. 12 - Timer

Tension	Code
220/240V 50 Hz	23247
220/230V 60 Hz	23247
110/115V 60 Hz	23258

Rev. 1 - 12/6/2002