

Зип Общепит

Arachvsezip.ru

800 708 1287-08-81

Eurotec SRL Viale Europa, 24 - 37045
S.Pietro di Legnago (VR) - ITALY



**SPARE PARTS CATALOGUE
ERSATZTEILKATALOG
CATALOGUE PIECES DETACHEES
CATALOGO PARTI RICAMBIO
CATALOGO DE PIEZAS DE RECAMBIO
CATALOGO PECAS, DE REPOSICAO**

Catalogo parti di ricambio valido
dalla matricola 4361808 (20.07.2020) alla matricola 1316134911 (30.12.1899)

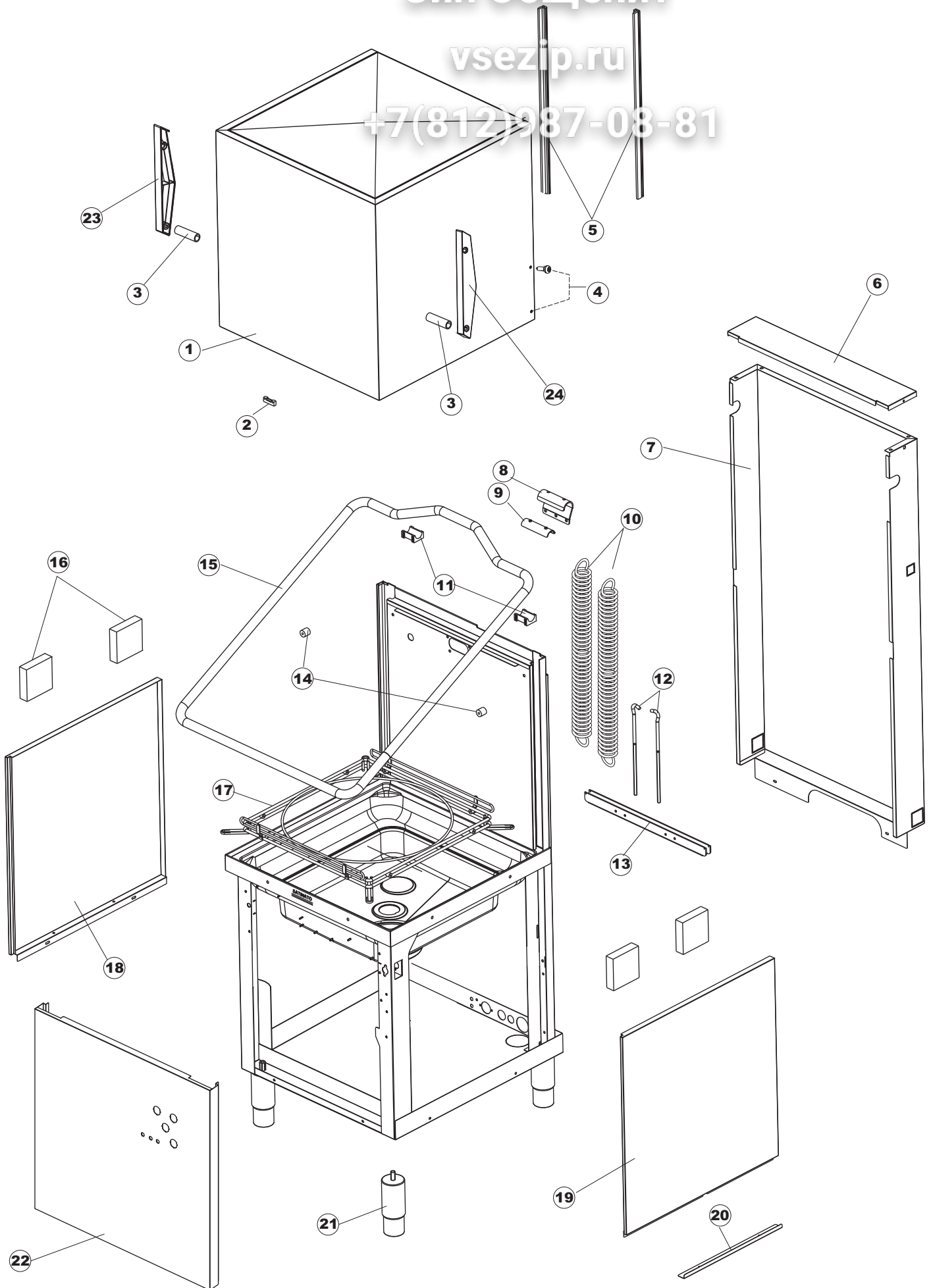
Catalogue pieces detachees
numero de Série n. 4361808 (20.07.2020) jusqu'à n. 1316134911 (30.12.1899)

Ersatzteilkatalog
ab Serien-Nr. 4361808 (20.07.2020) bis Serien-Nr. 1316134911 (30.12.1899)

Spare parts catalogue
d from serial no. 4361808 (20.07.2020) to serial no. 1316134911 (30.12.1899)

Catálogo de peças de reposição
: série 4361808 (20.07.2020) até o número de série 1316134911 (30.12.1899)

AC800DD



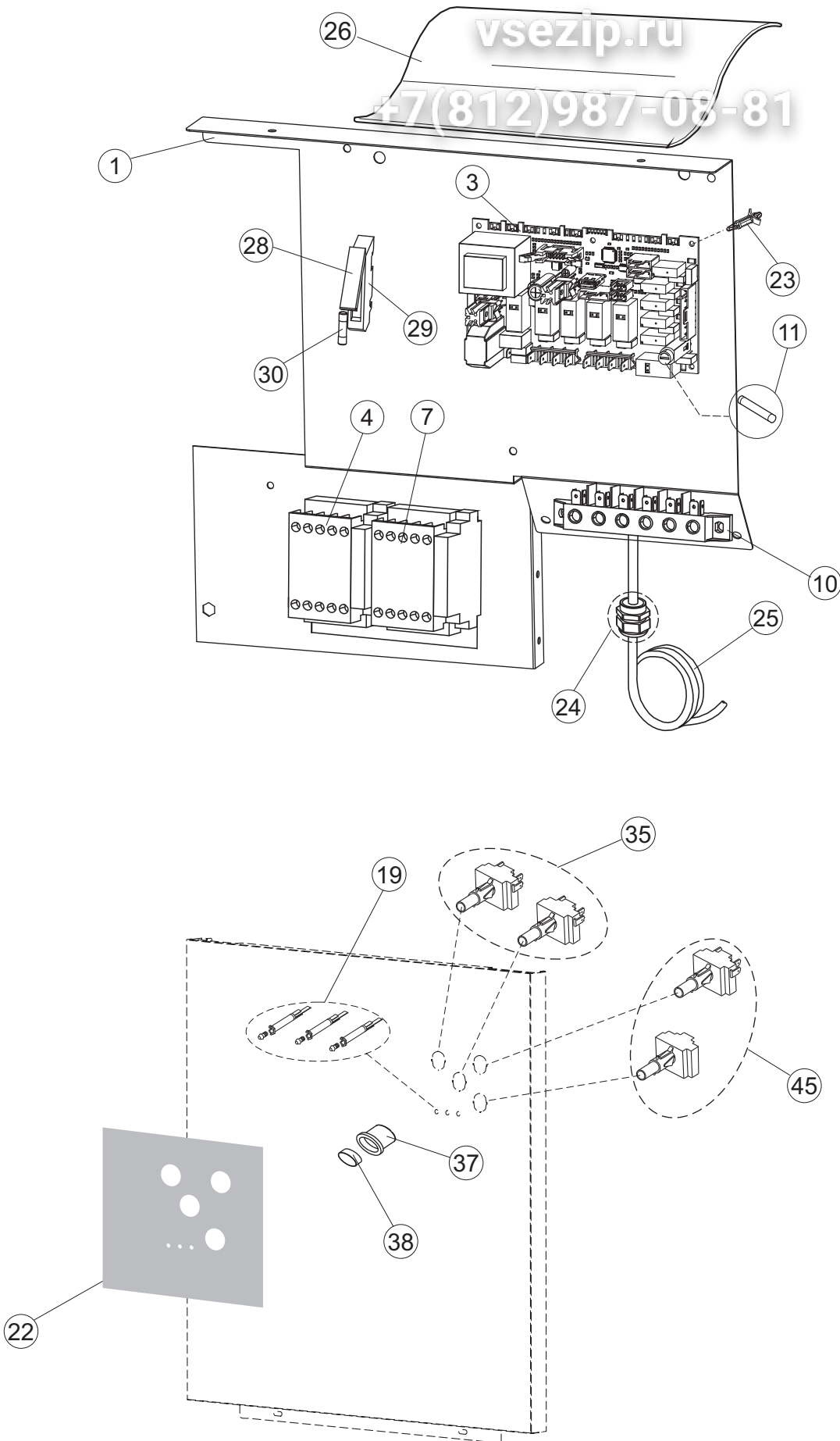
Listino componenti per pagina 1

Зип Общепит

1	K74141	GRUPPO CAPPА SQUADRATA CPL (RICAMBII) HOTTE POUR LAVE-VAISSELLES A CAPOTE HAUBE FUER DURCHSCHUBGESCHIRRSPUELER STANDARD HOOD FOR HOOD-TYPE DISHWASHER CAMPANA	
2	927088	MAGNETE PER MICROINTERRUPTORE CAPPА MAGNETO POUR MICRO HOTTE MAGNET FÜR MIKROSCHALTER MAGNET FOR HOOD MICROSWITCH IMAN PARA MICROINTERRUPTOR	
3	70212	DISTANZIALE entretoise Abstandhalter SPACER espaciador	
4	80998	VITE PLASTICA M4X6 (DIN933) GOLD VIS SCHRAUBE, KUNST. M4X6 (DIN933) GOLD SCREW tornillo	
5	74068	GUIDA CAPPА L=638 guide coulissant CAPOT HAUBE Schiebeführung HOOD DRIVE guía de deslizamiento CAPUCHA	
6	80638	PANNELLO POSTERIORE SUPERIORE PANNEAU ARRIERE SUPERIOR OBEREN RÜCKSEITE TOP BACK PANEL PANEL TRASERO SUPERIOR	
7	74162	PANNELLO POSTERIORE PANNEAU ARRIERE RUECKWAND BACK PANEL PANEL TRASERO	
8	80275	STAFFA AGGANCIО MOLLE ST - FINITA ETRIER ACCROCHAGE RESSORTS ST - COMPLET WINKEL COIL HOOKING BRACKET - COMPLETE ESCUADRA	
9	80277	PATTINO AGGANCIО MOLLE PATIN ACCROCHAGE RESSORTS WINKEL SPRING HOOKING SLIDE ESCUADRA	
10	926007	MOLLA ACCIAIO A TRAZIONE PER LAVASTOVI- RESSORT DE TRACTION EN ACIER POUR LAVE- SPANNFEDER HAUBE f5 100/120/140 EXTENSION STEEL SPRING FOR DISHWASHER MUELLE TRACC. CAPOTA f5 100/120/140	
11	80190	SQUADRA SUPP.MANIGLIONE EQUERRE WINKEL, HALTER FÜR GRIFF BRACKET ESCUADRA SOP. MANIJA	
12	926009	GANCIO DI REGOLAZIONE MOLLE CAPPА CROCHET DE REGLAGE RESSORTS HAKEN, FEDERREGUL. 100/120/140 SPRING ADJUSTMENT HOOK GANCHO REGULACION MUELLE	
13	74923	STAFFA DI SUPPORTO MOLLE EQUERRE DE SOUTIEN RESSORT BALKENTRÄGER ZUSAMMENBAUFEDER HOLDER TENSION SPRING APOYO MUELLE ENSAMBLADO	
14	80105	TAMPONE FERMO PORTA / CAPPА arrêt de porte / CAPOT Türanschlag HOOD / DOOR STOP parada de la puerta	
15	74521	MANIGLIONE NH/GH50 POIGNEE' NH/GH50 HANDGRIFF NH/GH50 HANDLE NH/GH50 TIRADOR NH/GH50	

Recommended
spare parts

16	41042	TAMPONE ADESIVO TEMPON ADHÉSIF KLEBENPER SCHLEGER ADHESIVE PLUG ESPEMORE ADHESIVO PANELES LATERALES IP	
17	K80240	KIT PORTACESTO 80240 COMPLETO SPONDINE SUPPORT PANIER RAHMEN, KORBHALTER RACK FRAME BASTIDOR PORTACESTA	
18	K69571	PANNELLO LATERALE SX (RICAMBIO) PANNEAU LATERAL GAUCHE LINKEN SEITENWAND LEFT SIDE PANEL PANEL LATERAL IZQUIERDO	
19	K69572	PANNELLO LATERALE DX (RICAMBIO) PANNEAU LATERAL DROITE REICHT SEITENWAND RIGHT SIDE PANEL PANEL LATERAL DERECHO	
20	80078	STAFFA SOTTOPIANI GOLD PG FINITO console de support BEF.WINKEL, UNTERABLAGEF.L.GOLD PG MASCHINENFERTIG support bracket ESC. FIJACION APOYOS SUPERFICIES GOLD PG	
21	73100	PIEDE VERRIN FUSS FOOT PATA REGULABLE X CAPOTA 3LINEA	
22	69200	PANNELLO ANTERIORE PANNEAU AVANT VORDERPANEEL FRONT PANEL PANEL FRONTAL	
23	70208	LEVA SX CAPP levier GAUCHE CAPOT LINKS HEBEL HAUBE LEFT LEVER HOOD palanca ISQUERDIA CAPUCHA	
24	70209	LEVA DX CAPP levier DROITE CAPOT RECHTS HEBEL HAUBE RIGHT LEVER HOOD palanca DERECHA CAPUCHA	



Listino componenti per pagina 2

Зип Общепит

1	74043	PANNELLO COMPONENTI ELETTRICI PANNEAU COMPOSANTS ELECTRIQUES PANEEL FUER ELEKTRISCHE BAUELEMENTE WIRING PANEL PANEL COMPONENTES ELECTRICOS	
3	215042-7 <i>Recommended spare parts</i>	SCHEDA ELETTRONICA GET50.2 CARTE ELECTRONIQUE GET50.2 KARTE ELEKTRONIK GET50.2 MAIN BOARD GET50.2 TARJETA ELECTRONICA GET50.2	
4	229042 <i>Recommended spare parts</i>	CONTATTORE QUADRIPOLORE 230V GMC-9M/4 50/60HZ CONTACTEUR 230V GMC-9M/4 50/60HZ KONTAKT-GEBER 230V GMC-9M/4 50/60HZ CONTACTOR 230V GMC-9M/4 50/60HZ CONTACTOR 230V GMC-9M/4 50/60HZ	
7	73350 <i>Recommended spare parts</i>	CONTATTORE CONTACTEUR KONTAKT-GEBER 230-50/60HZ CONTACTOR CONTACTOR	
10	220011	MORSETTIERA bornier pour le raccordement * KLEMMENBRETT, 5-POLIG + ERDUNG FV.122 TERMINAL BLOCK bloque de terminales	
11	228010 <i>Recommended spare parts</i>	FUSIBILE 5X20 T4A RITARDATO 250V FUSIBLE SICHERUNG 5X20 T4A FUSE FISIBLE	
19	216029 <i>Recommended spare parts</i>	SPIA ARANCIO LAMPE TEMOIN KONTROLL-LAMPE, TB/06/SQ3 ORANGE PILOT LAMP LAMPARA TESTIGO TB/06/SQ3 NARANJA	
22	74795	INTERFACCIA ADESIVA DI CONTROLLO AC800 APACH N INTERFACE ADHESIVE CONTRÔLE AC800 APACH N TASTATURFOLIEN AC800 APACH N CONTROL ADHESIVE INTERFACE AC800 APACH N INTERFAZ ADHESIVA DE CONTROL AC800 APACH N	
23	CWP2	PIEDINI SUPPORTO SCHEDA ELETTRONICA VERRIN STÜTZFÜSSE FÜR PLATINE (ART.DRA6A) FOOT PATA	
24	DEP521	PASSACAVO PRESSE ÉTOUPE KABELSCHELLE PG21 (BER 4721) CABLE GLAND PASACABLES	
25	80997	CAVO ALIMENTAZIONE 5X2,5MM (H07RN-F) CÂBLE D'ALIMENTATION ANSCHLUSSKABEL 400V power cable CABLE ALIMENTACION 5X2,5MM (H07RN-F)	
26	80731	TENDINA PVC PROTEZIONE CABLAGGIO RIDEAU PVC PROTECTION ÉLECTRIQUE VORHANG, PVC EL.SCHUTZ KOMPL. PVC CURTAIN FOR ELECTRIC PROTECTION PVC CORTINAS ELÉCTRICAS PROTECCIÓN	
28	74935	PORTA FUSIBILE 5X20 PORTE-FUSIBLE *SICHERUNGSTRAGER FUSE-HOLDER PORTA-FUSIBLE	
29	H.228048	TAPPO PORTAFUSIBILE BOUCHON * SICHERUNGSTRAGER-VERSCHLUSS PLUG TAPON	
30	228010 <i>Recommended spare parts</i>	FUSIBILE 5X20 T4A RITARDATO 250V FUSIBLE SICHERUNG 5X20 T4A FUSE FISIBLE	

35	226095 <u>Recommended spare parts</u>	PULSANTE DOPPIO CONTATTO POUSSOIR DOUBLE TOUCHESRRES DRUCKT. MIT DOPPELKONTAKT E.35/40 DOUBLE CONTACT PUSH-BUTTON PULSANTE DOBLE CONTACTO E. 35/40	
37	226126 <u>Recommended spare parts</u>	CORPO PULSANTE BOUTON CORPS DRUCKTASTENGEHAEUSE push button case CUERPO PULSADOR	
38	227064	TASTO GOFFRATO GRIGIO SERIE D25 BOTON TASTE, GAUFR. GRAU REIHE D25 BUTTON TECLA GROFRADA GRIS SERIE D25	
45	80804 <u>Recommended spare parts</u>	INTERRUTTORE DEVIATORE DOPPIO SERIE CM CORPS DE CONTACT SCHALTER, ZWEIP. CM DEV-DEV (A0537) DOUBLE SWITCH DESVIADOR DOBLE	

Listino componenti per pagina 3

vsezip.ru

7(812)987-08-81

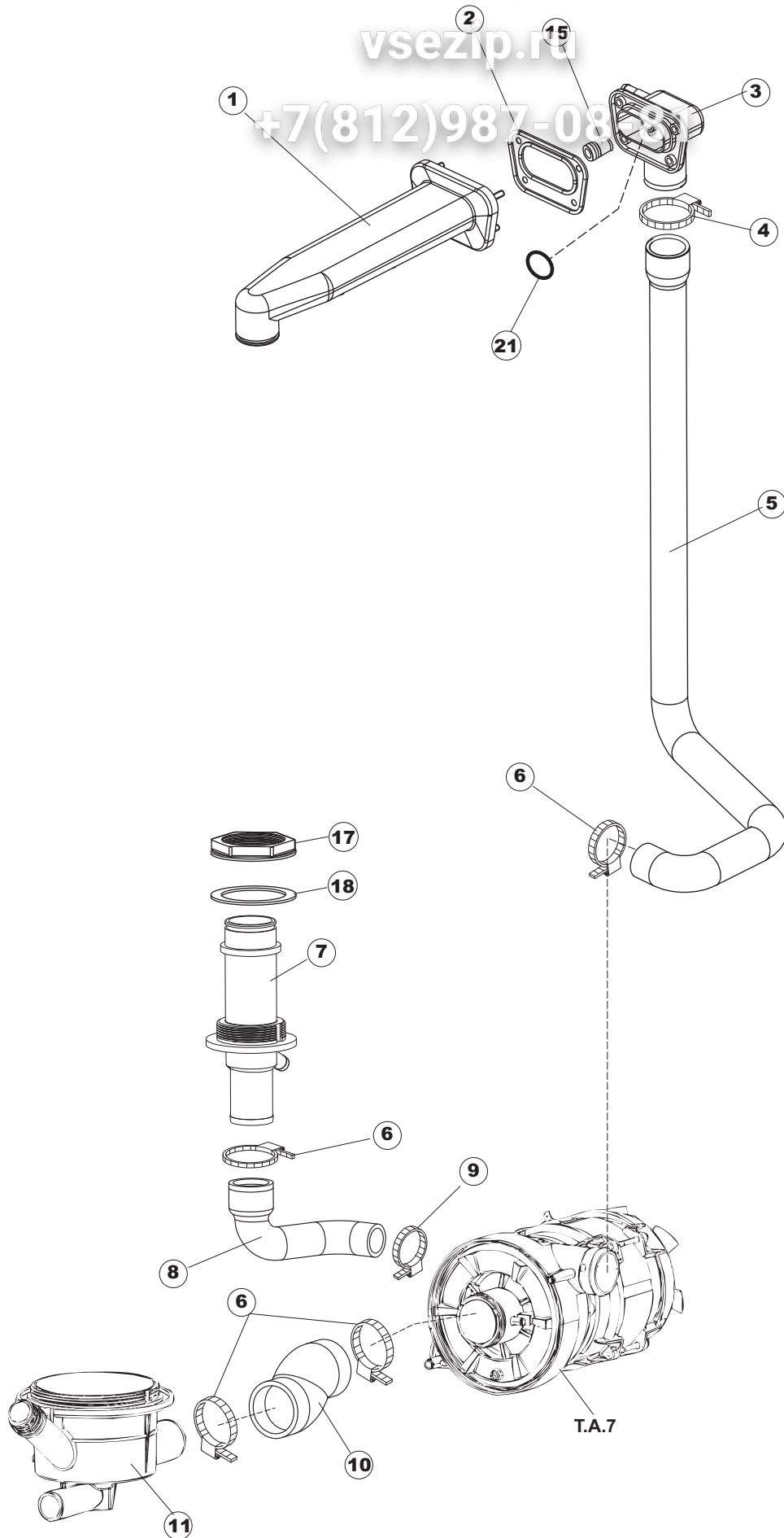
1	121123	FILTRO FILTRE INTEGRAL KUNSTSTOFFTANK FILTER STAINER FILTRO	
2	74168	RESISTENZA ELETTRICA 2100W 230V RESISTANCE SURCHAUFFER 2100W 230V HEIZUNG 2100W 230V BOILER HEATING ELEMENT 2100W 230V RESISTENCIA 2100W 230V	
3	437086	GUARNIZIONE RESISTENZA VASCA JOINT RESISTANCE CUVE DICHTUNG, TANKWIDERSTAND PACKING OF THE TANK RESISTANCE JUNTA RESISTENCIA CUBETA	
4	80871 <u>Recommended spare parts</u>	MICRO MAGNETICO CONTACTE MAGNETIQUE TUERKONTAKTSCHALTER MAGNETIC DOOR SWITCH CONTACTO MAGNETICO	
5	236061 <u>Recommended spare parts</u>	TERMOSTATO SIC. 127° THERMOSTAT 127° THERMOSTAT 127° THERMOSTAT 127° TERMOSTATO CALENT. 127°	
6	236052 <u>Recommended spare parts</u>	TERMOSTATO 90°+/-3°C THERMOSTAT 90°+/-3°C THERM.,KONT. L.90ø+/-3ø(2611576) THERMOSTAT 90°+/-3°C TERM.CONTACTO CALENT./L.90°+/-3°	
8	74052	STAFFA DOSATORI EQUERRE DE FIXATION STÜTZWINKEL BRACKET BRIDA DE APOYO	
9	999348	GRUPPO RACCORDO INIEZIONE DETERGENTE JUNCTION CUVE POUR INJECTION DE DÉTERGEN WASCHMITTEL INJECTION SPÜLANSCHLUSS DETERGENT TANK FITTING UNIÓN CUBA PARA INYECCIÓN DE DETERGENTE	
10	143194 <u>Recommended spare parts</u>	TUBO 4x6 CRISTAL TRASPARENTE TUYAU SCHLAUCH 4X6 CRISTAL, DURCHS. PIPE MANGUITO	
11	143258 <u>Recommended spare parts</u>	TUBO "SANTOPRENE" CON RACCORDO TUYAU "SANTOPRENE" MEMBRANSCHLAUCH SANTOPREN "SANTOPRENE" PIPE TUBITO SANTOPRENE	
12	209043 <u>Recommended spare parts</u>	DOSAT.PERIST.DETERGENTE P/F MD DOSEUR PÉRISTALTIQUE PERISTALTISCHES DOSIERGERAET DETERGENT DOSING PUMP DOSIFICADOR DETERG.	
13	121993	GRUPPO FILTRO+ZAVORRA DOSATORE filtre distributeur FILTERANORDNUNG filter aid dispenser filtro dispensador	
17	231016 <u>Recommended spare parts</u>	SONDA TEMPERATURA SONDE TEMPERATURSONDE TEMPERATURE PROBE SONDA TEMPERATURA (AMPOLLA ACERO)	
18	H.775489-001	CLIP SONDA TEMPERATURA D5 soutien sonde de température KLIPP FÜR TEMP.FÜHLER D5 Support temperature probe Soporte sonda de temperatura	
19	107013 <u>Recommended spare parts</u>	TRAPPOLA ARIA cloche de pression LUFT-GLOCKE DES DRUCKSCHALTERS AIR TRAP for pressure switch CAMPANA PRESOSTATO	

Зип Общепит

vsezip.ru

+7(812)987-08-81

20	456073 <i>Recommended spare parts</i>	O-RING O-RING O-RING O-RING	
21	142058	TROPPOPIENO TROP PLEIN ÜBERLAUFROHR LA50 OVERFLOW PIPE REBOSE	
22	456081 <i>Recommended spare parts</i>	guarnizione o-ring joint torique o-ring O-RING O-ring junta tórica o-ring	
23	121120	FILTRO VASCA FILTRE SIEB STAINER FILTRO	
24	429072 <i>Recommended spare parts</i>	GHIERA DOUILLE ZWINGE RING NUT CONTERA VIROLA	
25	456076	O-RING O-RING TORISCHE DICHTUNG D.I.135.9X5.33 O-RING O-RING	
26	74073 <i>Recommended spare parts</i>	CORPO ASPIRAZIONE E SCARICO CORPS D'ASPIRATION/VIDANGE ABSAUG-UND ABFLUSSKOERPER ASPIRATION AND DRAIN BODY CUERPO ASPIRACION/DESCARGA	
27	127082	MANICOTTO MANDATA LAVAGGIO tuyau de refoulement à laver NACHSPUEL-FOERDERUNGSBOGEN DELIVERY WASH HOSE MANGUITO LAVADO	
28	CFS1	FASCETTA SERRAGGIO TUBI Collier de serrage SCHLAUCHSCHELLE TORRO 35-50/9 HOSE CLAMP ABRAZADERA	
29	143252	TUBO SCARICO LA50 TUYAU DE VIDANGE ABLAUFLEITUNG DRAIN HOSE TUBO DESCARGA	
30	143235 <i>Recommended spare parts</i>	TUBO 4x7 SILICONE TRASPARENTE CRP TUYAU SCHLAUCH 4X7 SILIKON DURCHS. CRP PIPE MANGUITO	
31	224031 <i>Recommended spare parts</i>	PRESSOSTATO DIGITALE 560-AC-002 PRESSOSTAT DRUCKWAECHTER PRESSURE SWITCH PRESOSTATO	



Listino componenti per pagina 4

Зип Общепит

vsezip.ru

+7(812)987-08-81

1	73178	CONDOTTO LAVAGGIO SUP COLGED CON ANELLO COLLECTEUR LEITUNG - SPÜLEN MAINFOLD COLECTOR	
2	80178 <i>Recommended spare parts</i>	GUARNIZIONE JOINT DICHTUNG GASKET JUNTA	
3	80174	RACCORDO LAVAGGIO RACCORD VERBINDUNGSST., OB.SPÜL. AUSS.GOLD (NEUTR. FARBE) PIPE FITTING RECOGIDA	
4	CFS1A	FASCETTA SERRAGGIO TUBI Collier de serrage SCHELLE, SCHRAUBE TORRO W1/W2B 40-60/12 HOSE CLAMP ABRAZADERA	
5	69020	TUBO MANDATA LAVAGGIO TUYAU DRUCKSCHLAUCH PIPE MANGUITO	
6	CFS1	FASCETTA SERRAGGIO TUBI Collier de serrage SCHLAUCHSCHELLE TORRO 35-50/9 HOSE CLAMP ABRAZADERA	
7	69016	COLLETTORE LAVAGGIO COLLECTEUR SAMMELLEITUNG MAINFOLD COLECTOR	
8	127085	MANICOTTO MANDATA LAVAGGIO tuyau de refoulement à laver SAUGMUFFE PUMPE LA50 DELIVERY WASH HOSE MANGUITO LAVADO	
9	423008	FASCETTA SERRAGGIO TUBI doppio filo con vite 25-29 Collier de serrage SCHLAUCHSCHELLE D20X32X9 TYP TORRO ACC.W1 HOSE CLAMP ABRAZADERA	
10	127082	MANICOTTO MANDATA LAVAGGIO tuyau de refoulement à laver NACHSPUEL-FOERDERUNGSBOGEN DELIVERY WASH HOSE MANGUITO LAVADO	
11	74073 <i>Recommended spare parts</i>	CORPO ASPIRAZIONE E SCARICO CORPS D'ASPIRATION/VIDANGE ABSAUG-UND ABFLUSSKOERPER ASPIRATION AND DRAIN BODY CUERPO ASPIRACION/DESCARGA	
15	441009 <i>Recommended spare parts</i>	GUARNIZIONE IN GOMMA RISCIAQUO JOINT EINSATZ, DICHT. D10 SAMM.S621- GASKET JUNTA	
17	429073	GHIERA DOUILLE MUTTER RING NUT CONTERA VIROLA	
18	437102	GUARNIZIONE CONDOTTO INFER.LA50 JOINT DICHTUNG GASKET JUNTA	
21	CGR3037 <i>Recommended spare parts</i>	guarnizione o-ring joint torique o-ring O-RING 3037 NITRILGUMMI 9,19X2,62 O-ring junta tórica o-ring	

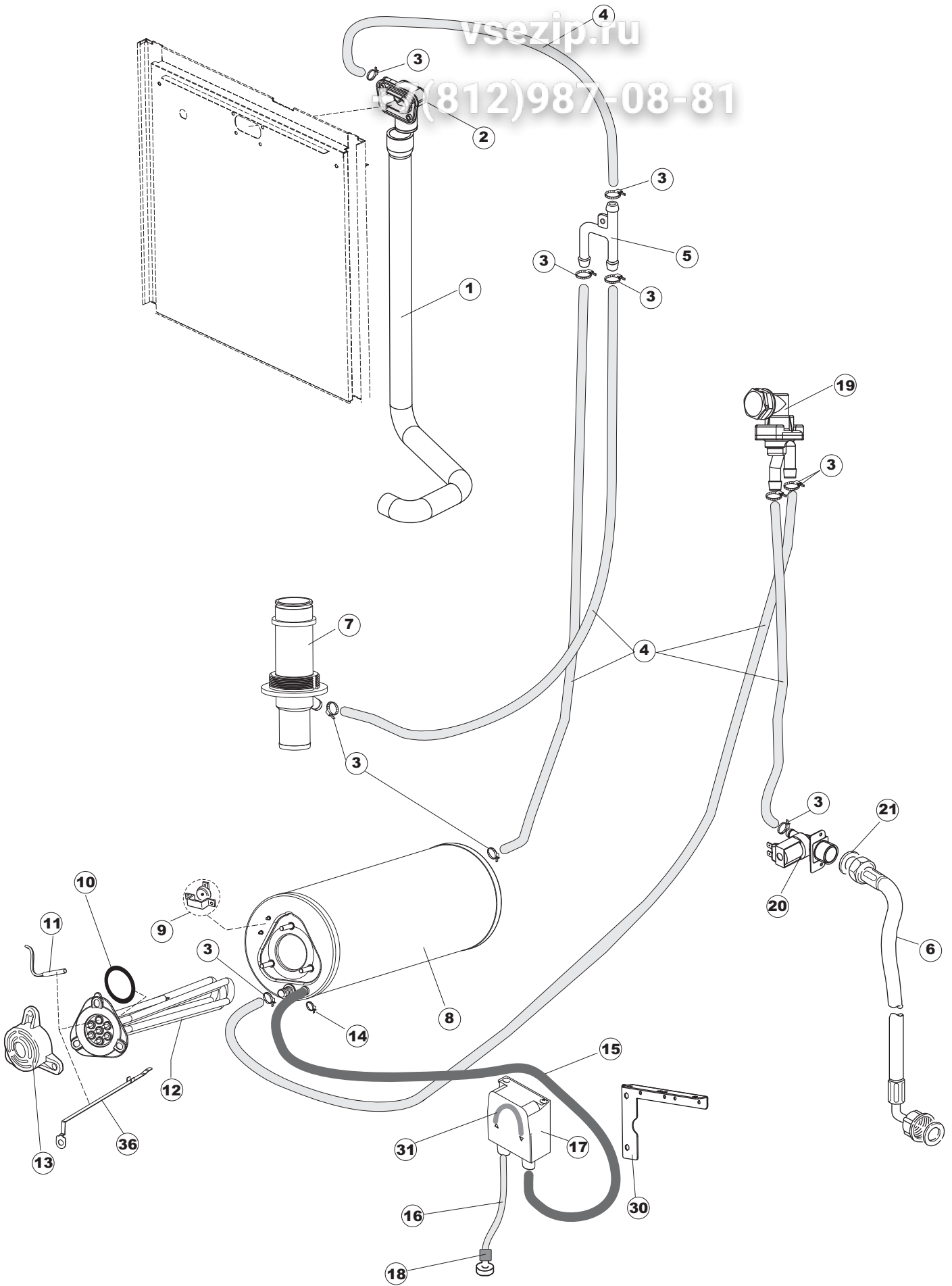
Зип Общепит

vsezip.ru

+7(812)987-08-81

vsezip.ru

8 (812) 987-08-81



Listino componenti per pagina 5

Зип Общепит

vsezip.ru

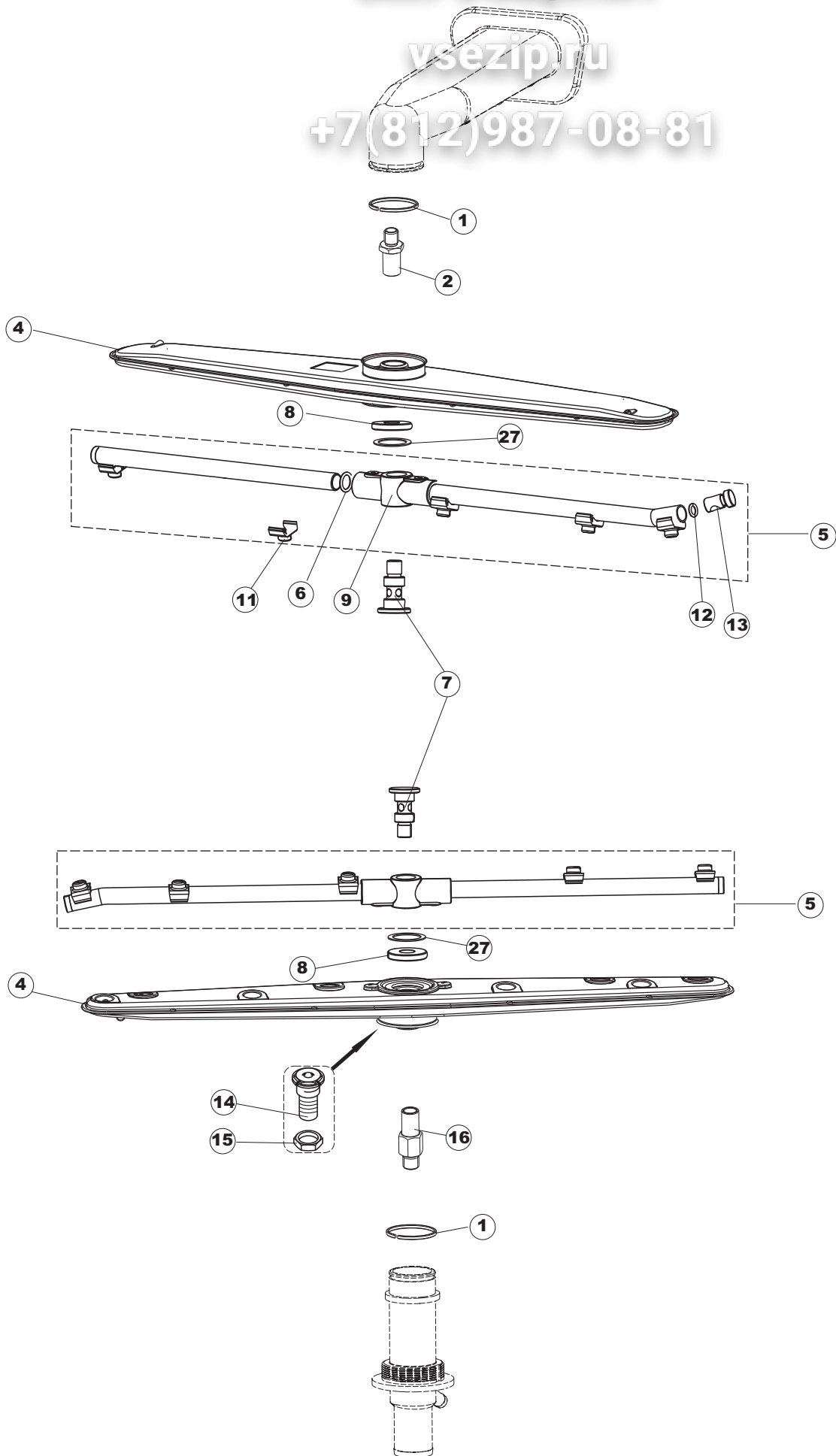
7(812)987-08-81

1	69020	TUBO MANDATA LAVAGGIO TUYAU DRUCKSCHLAUCH PIPE MANGUITO	
2	80174	RACCORDO LAVAGGIO RACCORD VERBINDUNGSST., OB.SPÜL. AUSS.GOLD (NEUTR. FARBE) PIPE FITTING RECOGIDA	
3	927322	FASCETTA SERRAGGIO TUBI Collier de serrage SCHLAUCHSCHELLE 12-22 HOSE CLAMP ABRAZADERA	
4	143010	TUBO IN GOMMA 12X19,5 (FOOD QUALITY) TUYAU EN CAOUTCHOUC 12X19,5 ROHR, DRUCKSCHALTER TP 12X19.5 RUBBER PIPE 12X19,5 TUBO PRES. TP 12X19. 5	
5	143268	GIUNZIONE A "Y" DI RISCIAQUO JUNCTION "Y" Y-STUECK JuNCTION "Y" UNION "Y"	<i>Recommended spare parts</i>
6	143277	TUBO CARICO 3/4G D.I.10 3MT WRAS EN61770 TUYAU DE CHARGEMENT ZULAUF SCHLAUCH, WASSER INLET HOSE TUBO DE CARGA	
7	69016	COLLETTORE LAVAGGIO COLLECTEUR SAMMELLEITUNG MAINFOLD COLECTOR	
8	104060	BOILER CHAUDIÈRE BOILER BOILER CALDERIN	
9	926189	TERMOSTATO 95°C THERMOSTAT DE SURETE' A CONTACT SICHERHEITSTHERMOSTAT 95°C CONTACT SAFETY-THERMOSTAT TERMOSTATO CALENTADOR SEG. 95°C	<i>Recommended spare parts</i>
10	456002	guarnizione o-ring joint torique o-ring O-Ring 48x6,2 O-ring junta tórica o-ring	
11	231016	SONDA TEMPERATURA SONDE TEMPERATURSONDE TEMPERATURE PROBE SONDA TEMPERATURA (AMPOLLA ACERO)	<i>Recommended spare parts</i>
12	230020C	KIT RESISTENZA (8KW) KIT RESISTANCES REB230020 (8KW) KIT HEIZUNG REB230020 (8KW) KIT HEATING ELEMENTS REB230020 (8KW) KIT RESISTENCIA REB230020 (8KW)	<i>Recommended spare parts</i>
13	69870	PROTEZIONE RESISTENZA BOILER PROTECTION RESISTANCE BOILER HEIZUNG SCHUETZ DES WARMWASSERBEREITERS BOILER HEATING ELEMENT PROTECTION PROTECCION RESISTENCIA CALENTADOR	
14	423010	FASCETTA STRINGITUBO IPO TORRO 8-12/7.5 W1 COLLIER DE SERRAGE SCHELLE, D8X12X7,5 TYP TORRO ACC.W2 HOSE CLAMP ABRAZADERA	
15	143005	TUBO IN GOMMA TELATA 5X12 NERO TUYAU EN CAOUTCHOUC LIN 5X12 NOIR SCHLAUCH TP 5X11 (CASER/15/NL C4N) LINEN RUBBER PIPE 5X12 - BLACK TUBO PRES. TP 5x11 (CASER/15/NL C4N)	<i>Recommended spare parts</i>

16	H.775601 <u>Recommended spare parts</u>	TUBO 4x6 CRISTAL BLUE PVC TUYAU SCHLAUCH 4x6 CRISTAL BLAU PVC PIPE MANGUITO	
17	209042 <u>Recommended spare parts</u>	DOSAT.PERIST.BRILLANTANTE+NR P/F MD DOSEUR PÉRISTALTIQUE PERISTALTISCHES DOSIERGERÄT DOSING PUMP DOSIFICADOR	
18	121993	GRUPPO FILTRO+ZAVORRA DOSATORE filtre distributeur FILTERANORDNUNG filter aid dispenser filtro dispensador	
19	144010	DISPOSITIVO DI NON RITORNO Clapet Anti-Retour RÜCKSCHLAGVORR.(EB) MIT ENTLÜFTUNG NON RETURN VALVE válvula de retención	
20	240016 <u>Recommended spare parts</u>	ELETTROVALVOLA ELECTROVANNE ZUFLUSSVENTIL 1-WEG 3/4 230V DROSS.16L SOLENOID VALVE ELECTROVALVULA	
21	437041	GUARNIZIONE 3/4 JOINT DICHTUNG 3/4 GASVERSORG. GASKET JUNTA	
30	74052	STAFFA DOSATORI EQUERRE DE FIXATION STÜTZWINKEL BRACKET BRIDA DE APOYO	
31	143261 <u>Recommended spare parts</u>	TUBO SILICONE TUBE MEMBRANSCHLAUCH HOSE TUBITO	
36	69871	PORTASONDA SUPPORT DE SONDE SONDENHALTER PROBE HOLDER SOPORTE DE SONDA	

vsezip.ru

+7(812)987-08-81



Listino componenti per pagina 6

1	80184	ANELLO TENUTA PER SUPP.LAVAGGIO BAGUE GLEIT UND DICHTUNGSRING SEALING RING ANILLO ESTANQ. PARA SOP.LAVADO	
2	69237	PROLUNGA PERNO RISC.SUP.X5 EXTENSION POUR GOUJON VERLAENGERUNGSSTUECK EXTENSION FOR STUD ALARGADOR PERNO ENJUAGUE SOP. X5	
4	80348	BRACCIO COMPLETO LAVAGGIO BRAS DE LAVAGE COMPLET SPUELARM COMPLETE WASH ARM BRAZO LAVADO COMPLETO	
5	69677	BRACCIO COMPLETO RISCIAQUO BRAS DE RINCAGE COMPLET NACHSPUELARM COMPLETE RINSE ARM BRAZO ACLARADO COMPLETO	
6	456019	guarnizione o-ring joint torique o-ring O-Ring 2037 O-ring junta tórica o-ring	
7	80700	PERNO BRACCIO RISCIAQUO PIVOT STIFT PIVOT PERNO	
8	80697	GHIERA ULTRA RINSE M10 INOX DOUILLE RING RING NUT CONTERA VIROLA	
9	69632	CORPO BRACCIO CORPS BRAS KOERPER DES NACHSPUELARMES BODY ARM CUERPO BRAZO	
11	140036 <u>Recommended spare parts</u>	SPRUZZO RISCIAQUO GLICEUR DÜSE RINSE JET ROCIADOR ENJUAGUE	
12	456030	guarnizione o-ring joint torique o-ring O-Ring 106 (CGR106) O-ring junta tórica o-ring	
13	926132	TAPPO PL.X BRACCIO DI RISC.(DWT312) EMBOUT EN PLASTIQUE POUR RAMPE DE RINC. PFROPFEN, KUNST. FÜR NACHSPÜLARM (DWT312) PLASTIC RINSE ARM CAP TAPON PL. X BRAZO DE ENJUAGUE (DWT312)	
14	79044 <u>Recommended spare parts</u>	BOCCOLA X BRACCIO LAVAGGIO INOX C600 DOUILLE POUR BRAS DE LAVAGE C600 WASCH-ARME BUCHSE C600 WASHING ARM BUSH C600 CASQUILLO X BRAZO LAVADO INOX C600	
15	308031 <u>Recommended spare parts</u>	GHIERA BOCCOLA BRACCIO LAVAGGIO DOUILLE GEWINDERING, SPÜL.BUCHSE X5 RING NUT CONTERA VIROLA	
16	69237	PROLUNGA PERNO RISC.SUP.X5 EXTENSION POUR GOUJON VERLAENGERUNGSSTUECK EXTENSION FOR STUD ALARGADOR PERNO ENJUAGUE SOP. X5	
27	437117 <u>Recommended spare parts</u>	RONDELLA IN TEFLON RONDELLE SCHEIBE WASHER arandela	

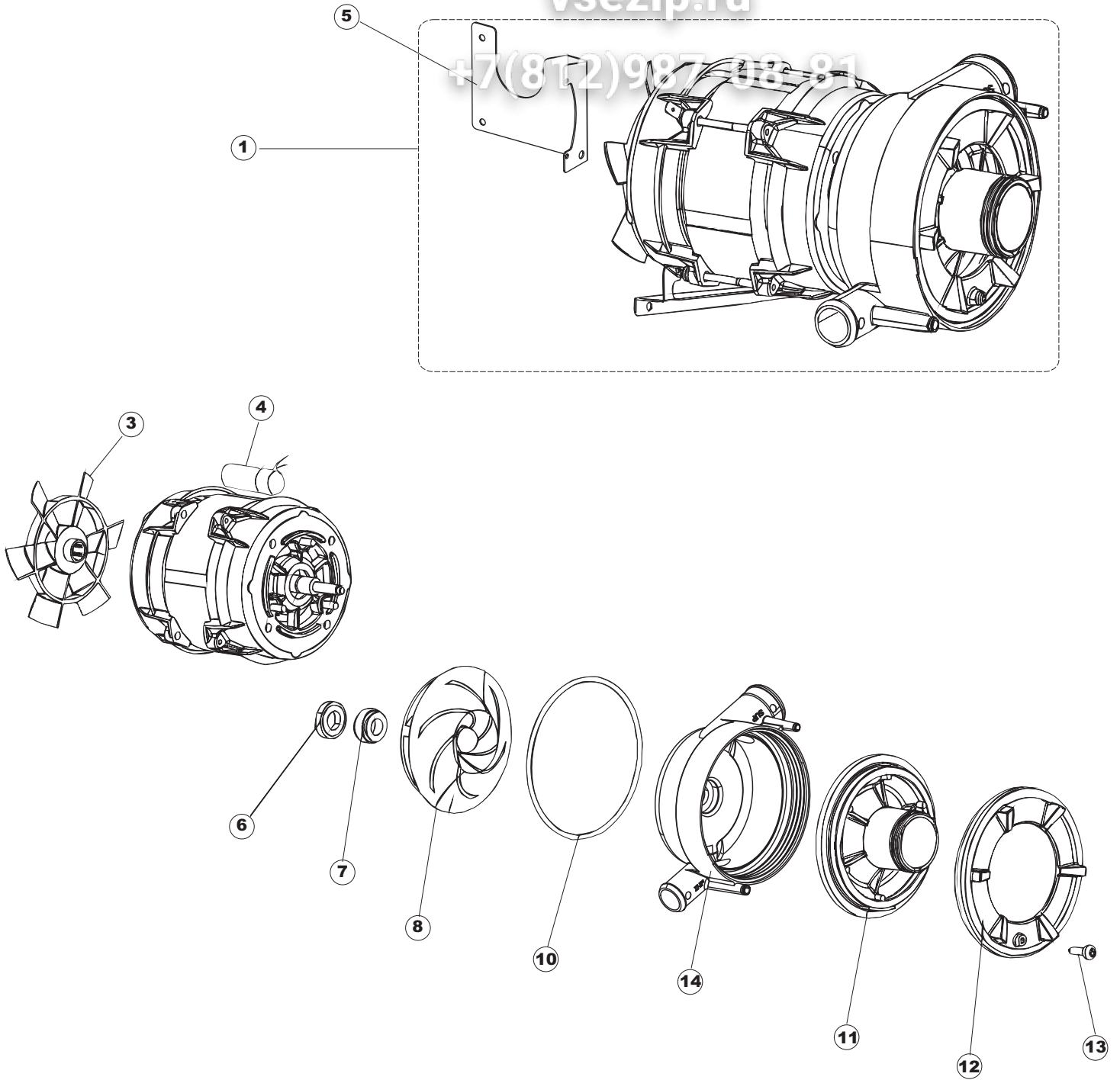
Зип Общепит

vsezip.ru

+7(812)987-08-81

vsezip.ru

+7(812)987-08-81



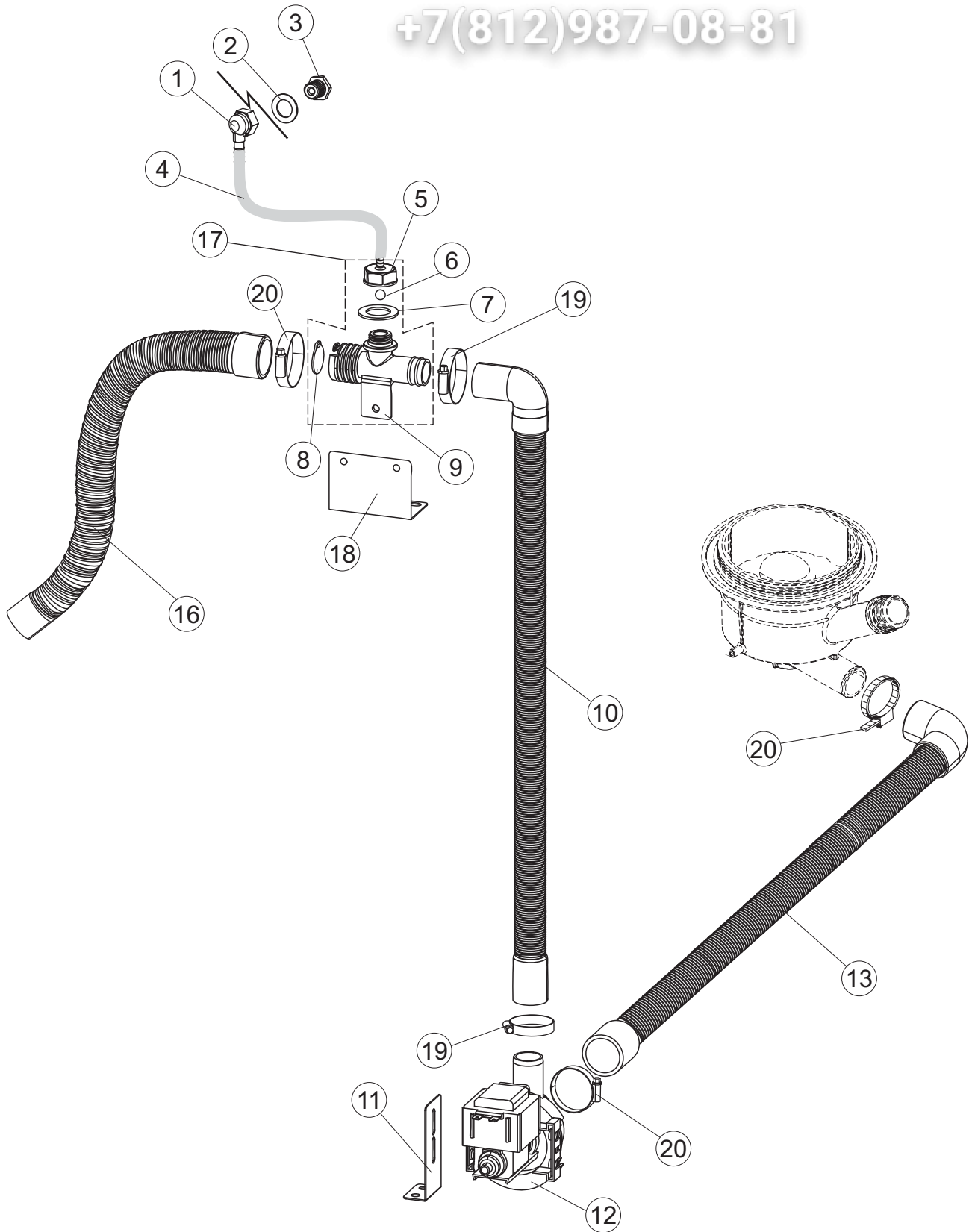
Listino componenti per pagina 7

Зип Общепит

vsezip.ru

+7(812)987-08-81

1	74122 <i>Recommended spare parts</i>	ELETTROPOMPA MOTOPOMPE MOTORPUMPE ELECTROPUMP ELECTROBOMBA	
3	335015	VENTOLA POMPA 2400 VENTILATEUR POUR MOTOFOMPE LUFTEERRAD WASHPUMP FUN ROTOR PARA ELECTROBOMBA	
4	206002 <i>Recommended spare parts</i>	CONDENSATORE CONDENSEUR KONDENSATOR - 10 mF CAPACITOR CONDENSADOR	
5	69400	STAFFA POMPA LA50 console de support PUMPENTRÄGER support bracket ménsula de soporte	
6	141008	TENUTA MECC.FISSA POMPA(0146R) ETANCHEITE MECHANIQUE POUR MOTOPOMPE MECH. DICHTUNG FÜR WASCHPUMPE DER GLÄSERSPÜLER WASHPUMP SHAFT SEAL SELLO MECANICO PARA ELECTROBOMBA	
7	141009	TENUTA MECC.ROTANTE POMPA(0142R) ETANCHEITE MECHANIQUE POUR MOTOPOMPE MECH. DICHTUNG FÜR WASCHPUMPE DER GLÄSERSPÜLER WASHPUMP SHAFT SEAL SELLO MECANICO PARA ELECTROBOMBA	
8	124057	GIRANTE ELETTROPOMPA IMPULSEUR MOTOPOPE PUMPENFLUEGEL ELECTROPUMP IMPELLER ROTOR PARA ELECTROBOMBA	
10	456078	O-RING O-RING TORISCHE DICHTUNG O-RING O-RING	
11	480159	TAPPO CHIOCCIOLA POMPA(2434R) BOUCHON DECKEL PLUG TAPON	
12	429074	GHIERA DOUILLE RING RING NUT CONTERA VIROLA	
13	486242	VITE 3.5X13 TBC UNI6954(0062R) VIS SCHRAUBE 3.5X13 SCREW TORNILLO	
14	116041	CORPO POMPA DOPPIA MANDATA LA50 couvercle de la turbine PUMPENGEHAEUSE ELECTROPUMP HOUSING ESPIRAL PARA ELECTROBOMBA	



Listino componenti per pagina 8

1	468165	ATTACCO TUBO RISCACQUO SUPERIORE CONNEXION TUYAU SUPERIEUR DE RINCAGE FITTING, KUNST. VERBINDUNGSST. 35/40/22 UPPER RINSE PIPE CONNECTOR PIPA EMPALME PLASTICO 35/40/22	
2	75402	GUARNIZIONE RACCORDO RISCACQUO JOINT RACCORD RINCAGE DICHTUNG ABWASCHE ANSCHLUSS RINSE PIPE GASKET JUNTA EMPALME ENJUAGUE	
3	429075	GHIERA SFIATO DOUILLE GEWINDERING RING NUT CONTERA VIROLA	
4	H.775611-001	TUBO PVC CRISTALLO 10X14 TUYAU SCHLAUCH, PVC KRISTALL 10X14 PIPE MANGUITO	
5	468205	RACCORDO VALVOLA SFIATO raccord de tuyau ABFLUSSANSCHLUSS LA50 PIPE CONNECTION EMPALME VALVULA ALIVIAD. LA50 SUAVIZ.	
6	476008	SFERA.VALVOLA.LA50.HOST.D=5/16" SPHERE KUGELHAHN SPHERE ESFERA	
7	437083	GUARNIZIONE GOMMA D32D19.5S1.5 JOINT DICHTUNG, GUMMI D32D19.5S1.5 GASKET JUNTA	
8	499092	MEMBRANA VALVOLA SFIATO PS LA50 membrane de la soupape de purge BLENDE diaphragm valve vent válvula de ventilación membrana	
9	144022	VALVOLA SFIATO NR P/SCARICO LA50 SOUPAPE DE SOUPIRAL POMPE DE VIDANGE VENTIL LA50 DRAIN PUMP VENT VALVE VALVULA ALIVIAD. BOMBA DESCARGA	
10	80702	TUBO SCARICO D19 TUYAU DE VIDANGE ROHRE DRAIN HOSE TUBO DESCARGA	
11	80712	STAFFA EQUERRE DE FIXATION STÜTZWINKEL BRACKET BRIDA DE APOYO	
12	130177	POMPA DI SCARICO 50HZ POMPE DE VIDANGE 50HZ ABFLUSSPUMPE 50HZ. DRAIN PUMP 50HZ BOMBA DESAGUE 50HZ	Optional
13	70097	TUBO DI SCARICO TUYAU DE VIDANGE DRAINAGEROHR DRAIN HOSE TUBO DESCARGA	
16	143252	TUBO SCARICO LA50 TUYAU DE VIDANGE ABLAUFLEITUNG DRAIN HOSE TUBO DESCARGA	
17	144991B	VALVOLA DI SFIATO SOUPAPE DE SOUPIRAL POMPE DE VIDANGE LUFTLOCH-VENTIL DER ABFLUSSPUMPE DRAIN PUMP VENT VALVE VALVULA ALIVIAD. BOMBA DESCARGA	

18	80637	STAFFA SCARICO PARZIALE console de support TRAGBUEGEL support bracket ménsula de soporte	
19	423032	FASCETTA SERRAGGIO TUBI Collier de serrage SCHELLE HOSE CLAMP ABRAZADERA	
20	CFS1	FASCETTA SERRAGGIO TUBI Collier de serrage SCHLAUCHSCHELLE TORRO 35-50/9 HOSE CLAMP ABRAZADERA	

RECOMMENDED SPARE PARTS

Всёобщепит

vsezip.ru

(2)987-08-81

PAG 1	POS 14	COD 80105	TAMPONE FERMO PORTA / CAPP arrêt de porte / CAPOT Türanschlag HOOD / DOOR STOP parada de la puerta
PAG 2	POS 3	COD 215042-7	SCHEDELETTRONICA GET50.2 CARTE ELECTRONIQUE GET50.2 KARTE ELEKTRONIK GET50.2 MAIN BOARD GET50.2 TARJETA ELECTRONICA GET50.2
PAG 2	POS 4	COD 229042	CONTATTORE QUADRIPOLORE 230V GMC-9M/4 50/60HZ CONTACTEUR 230V GMC-9M/4 50/60HZ KONTAKT-GEBER 230V GMC-9M/4 50/60HZ CONTACTOR 230V GMC-9M/4 50/60HZ CONTACTOR 230V GMC-9M/4 50/60HZ
PAG 2	POS 7	COD 73350	CONTATTORE CONTACTEUR KONTAKT-GEBER 230-50/60HZ CONTACTOR CONTACTOR
PAG 2	POS 11	COD 228010	FUSIBILE 5X20 T4A RITARDATO 250V FUSIBLE SICHERUNG 5X20 T4A FUSE FISIBLE
PAG 2	POS 19	COD 216029	SPIA ARANCIO LAMPE TEMOIN KONTROLL-LAMPE, TB/06/SQ3 ORANGE PILOT LAMP LAMPARA TESTIGO TB/06/SQ3 NARANJA
PAG 2	POS 30	COD 228010	FUSIBILE 5X20 T4A RITARDATO 250V FUSIBLE SICHERUNG 5X20 T4A FUSE FISIBLE
PAG 2	POS 35	COD 226095	PULSANTE DOPPIO CONTATTO POUSSOIR DOUBLE TOUCHESRRES DRUCKT. MIT DOPPELKONTAKT E.35/40 DOUBLE CONTACT PUSH-BUTTON PULSANTE DOBLE CONTACTO E. 35/40
PAG 2	POS 37	COD 226126	CORPO PULSANTE BOUTON CORPS DRUCKTASTENGEHAEUSE push button case CUERPO PULSADOR
PAG 2	POS 45	COD 80804	INTERRUTTORE DEVIATORE DOPPIO SERIE CM CORPS DE CONTACT SCHALTER, ZWEIP. CM DEV-DEV (A0537) DOUBLE SWITCH DESVIADOR DOBLE
PAG 3	POS 4	COD 80871	MICRO MAGNETICO CONTACTE MAGNETIQUE TUERKONTAKTSCHALTER MAGNETIC DOOR SWITCH CONTACTO MAGNETICO
PAG 3	POS 5	COD 236061	TERMOSTATO SIC. 127° THERMOSTAT 127° THERMOSTAT 127° THERMOSTAT 127° TERMOSTATO CALENT. 127°
PAG 3	POS 6	COD 236052	TERMOSTATO 90°+/-3°C THERMOSTAT 90°+/-3°C THERM.,KONT. L.90ø+/-3ø(2611576) THERMOSTAT 90°+/-3°C TERM.CONTACTO CALENT./L.90°+/-3°
PAG 3	POS 10	COD 143194	TUBO 4x6 CRISTAL TRASPARENTE TUYAU SCHLAUCH 4X6 CRISTAL, DURCHS. PIPE MANGUITO
PAG 3	POS 11	COD 143258	TUBO "SANTOPRENE" CON RACCORDO TUYAU "SANTOPRENE" MEMBRANSCHLAUCH SANTOPREN "SANTOPRENE" PIPE TUBITO SANTOPRENE
PAG 3	POS 12	COD 209043	DOSAT.PERIST.DETERGENTE P/F MD DOSEUR PERISTALTIQUE PERISTALTISCHES DOSIERGERAET DETERGENT DOSING PUMP DOSIFICADOR DETERG.

RECOMMENDED SPARE PARTS

Зип Общепит

vsezip.ru

+7(812)987-08-81

PAG 3	POS 17	COD 231016	SONDA TEMPERATURA SONDE TEMPERATURSONDE TEMPERATURE PROBE SONDA TEMPERATURA (AMPOLLA ACERO)
PAG 3	POS 19	COD 107013	TRAPPOLA ARIA cloche de pression LUFT-GLOCKE DES DRUCKSCHALTERS AIR TRAP for pressure switch CAMPANA PRESOSTATO
PAG 3	POS 20	COD 456073	O-RING O-RING O-RING O-RING O-RING
PAG 3	POS 22	COD 456081	guarnizione o-ring joint torique o-ring O-RING O-ring junta tórica o-ring
PAG 3	POS 24	COD 429072	GHIERA DOUILLE ZWINGE RING NUT CONTERA VIROLA
PAG 3	POS 26	COD 74073	CORPO ASPIRAZIONE E SCARICO CORPS D'ASPIRATION/VIDANGE ABSAUG-UND ABFLUSSKOERPER ASPIRATION AND DRAIN BODY CUERPO ASPIRACION/DESCARGA
PAG 3	POS 30	COD 143235	TUBO 4x7 SILICONE TRASPARENTE CRP TUYAU SCHLAUCH 4X7 SILIKON DURCHS. CRP PIPE MANGUITO
PAG 3	POS 31	COD 224031	PRESSOSTATO DIGITALE 560-AC-002 PRESSOSTAT DRUCKWAECHTER PRESSURE SWITCH PRESOSTATO
PAG 4	POS 2	COD 80178	GUARNIZIONE JOINT DICHTUNG GASKET JUNTA
PAG 4	POS 11	COD 74073	CORPO ASPIRAZIONE E SCARICO CORPS D'ASPIRATION/VIDANGE ABSAUG-UND ABFLUSSKOERPER ASPIRATION AND DRAIN BODY CUERPO ASPIRACION/DESCARGA
PAG 4	POS 15	COD 441009	GUARNIZIONE IN GOMMA RISCIAQUO JOINT EINSATZ, DICHT. D10 SAMM.S621- GASKET JUNTA
PAG 4	POS 21	COD CGR3037	guarnizione o-ring joint torique o-ring O-RING 3037 NITRILGUMMI 9,19X2,62 O-ring junta tórica o-ring
PAG 5	POS 5	COD 143268	GIUNZIONE A "Y" DI RISCIAQUO JONCTION "Y" Y-STUECK JuNCTION "Y" UNION "Y"
PAG 5	POS 9	COD 926189	TERMOSTATO 95°C THERMOSTAT DE SURETE' A CONTACT SICHERHEITSTHERMOSTAT 95°C CONTACT SAFETY-THERMOSTAT TERMOSTATO CALENTADOR SEG. 95°C
PAG 5	POS 11	COD 231016	SONDA TEMPERATURA SONDE TEMPERATURSONDE TEMPERATURE PROBE SONDA TEMPERATURA (AMPOLLA ACERO)
PAG 5	POS 12	COD 230020C	KIT RESISTENZA (8KW) KIT RESISTANCES REB230020 (8KW) KIT HEIZUNG REB230020 (8KW) KIT HEATING ELEMENTS REB230020 (8KW) KIT RESISTENCIA REB230020 (8KW)

RECOMMENDED SPARE PARTS

Зинт Общепит

PAG 5	POS 15	COD 143005	TUBO IN GOMMA TELATA 5X12 NERO TUYAU EN CAOUTCHOUC LIN 5X12 NOIR SCHLAUCH TP 5X11 (CASER/15/NL C4N) LINEN RUBBER PIPE 5X12 - BLACK TUBO PRES. TP 5x11 (CASER/15/NL C4N)
PAG 5	POS 16	COD H.775601	TUBO 4x6 CRISTAL BLU F V C TUYAU SCHLAUCH 4x6 CRISTAL BLAU PVC PIPE MANGUITO
PAG 5	POS 17	COD 209042	DOSAT.PERIST.BRILLANTANTE+NR P/F MD DOSEUR PÉRISTALTIQUE PERISTALTISCHES DOSIERGERAET DOSING PUMP DOSIFICADOR
PAG 5	POS 20	COD 240016	ELETTROVALVOLA ELECTROVANNE ZUFLUSSVENTIL 1-WEG 3/4 230V DROSS.16L SOLENOID VALVE ELECTROVALVULA
PAG 5	POS 31	COD 143261	TUBO SILICONE TUBE MEMBRANSCHLAUCH HOSE TUBITO
PAG 6	POS 11	COD 140036	SPRUZZO RISCIAQUO GLICEUR DÜSE RINSE JET ROCIADOR ENJUAGUE
PAG 6	POS 14	COD 79044	BOCCOLA X BRACCIO LAVAGGIO INOX C600 DOUILLE POUR BRAS DE LAVAGE C600 WASCH-ARME BUCHSE C600 WASHING ARM BUSH C600 CASQUILLO X BRAZO LAVADO INOX C600
PAG 6	POS 15	COD 308031	GHIERA BOCCOLA BRACCIO LAVAGGIO DOUILLE GEWINDERING, SPÜL.BUCHSE X5 RING NUT CONTERA VIROLA
PAG 6	POS 27	COD 437117	RONDELLA IN TEFLON RONDELLE SCHEIBE WASHER arandela
PAG 7	POS 1	COD 74122	ELETTROPOMPA MOTOPOMPE MOTORPUMPE ELECTROPUMP ELECTROBOMBA
PAG 7	POS 4	COD 206002	CONDENSATORE CONDENSEUR KONDENSATOR - 10 mF CAPACITOR CONDENSADOR

zip.ru

+7(812)987-08-81