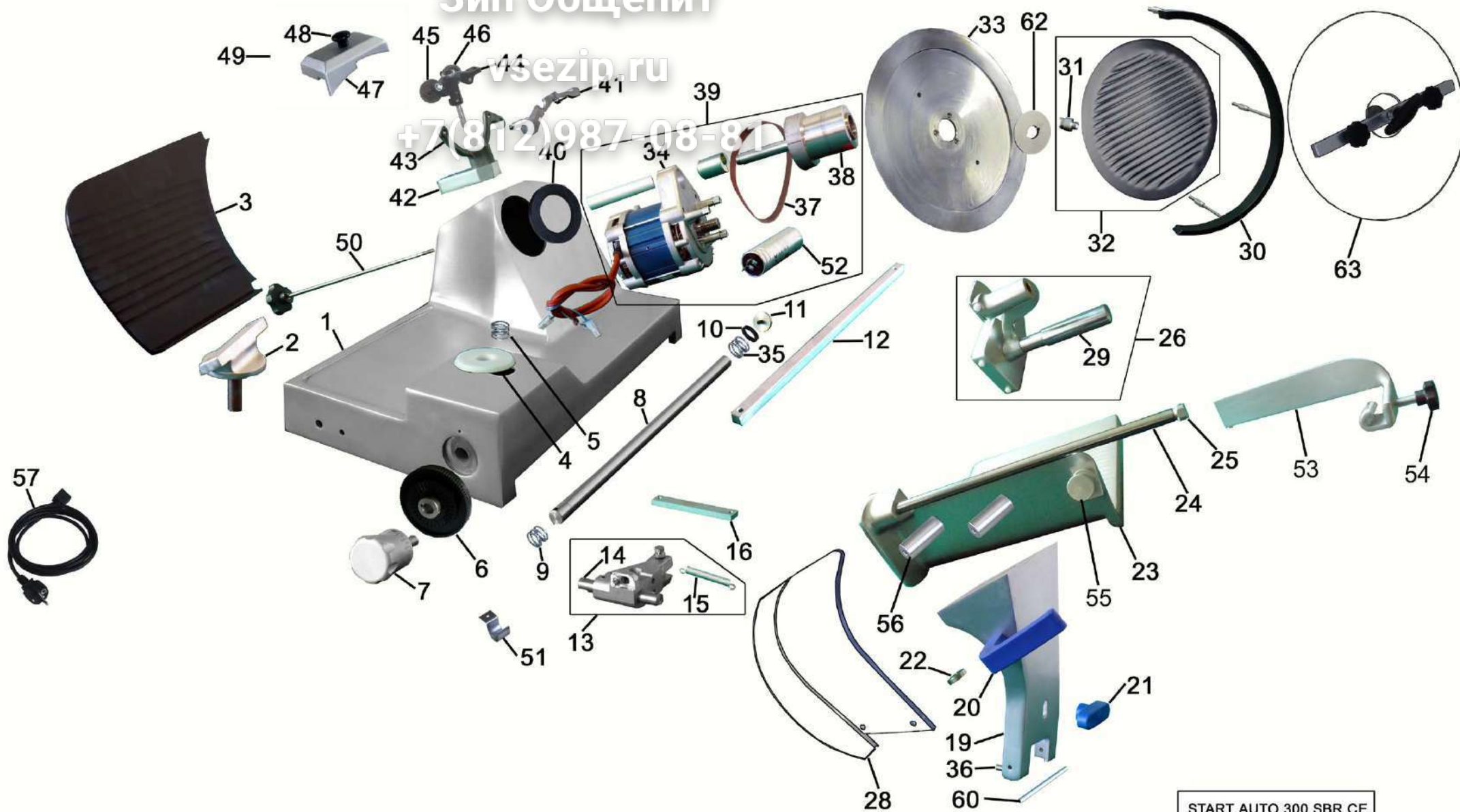


Зип Общепит

vsezip.ru

+7(812)987-08-81

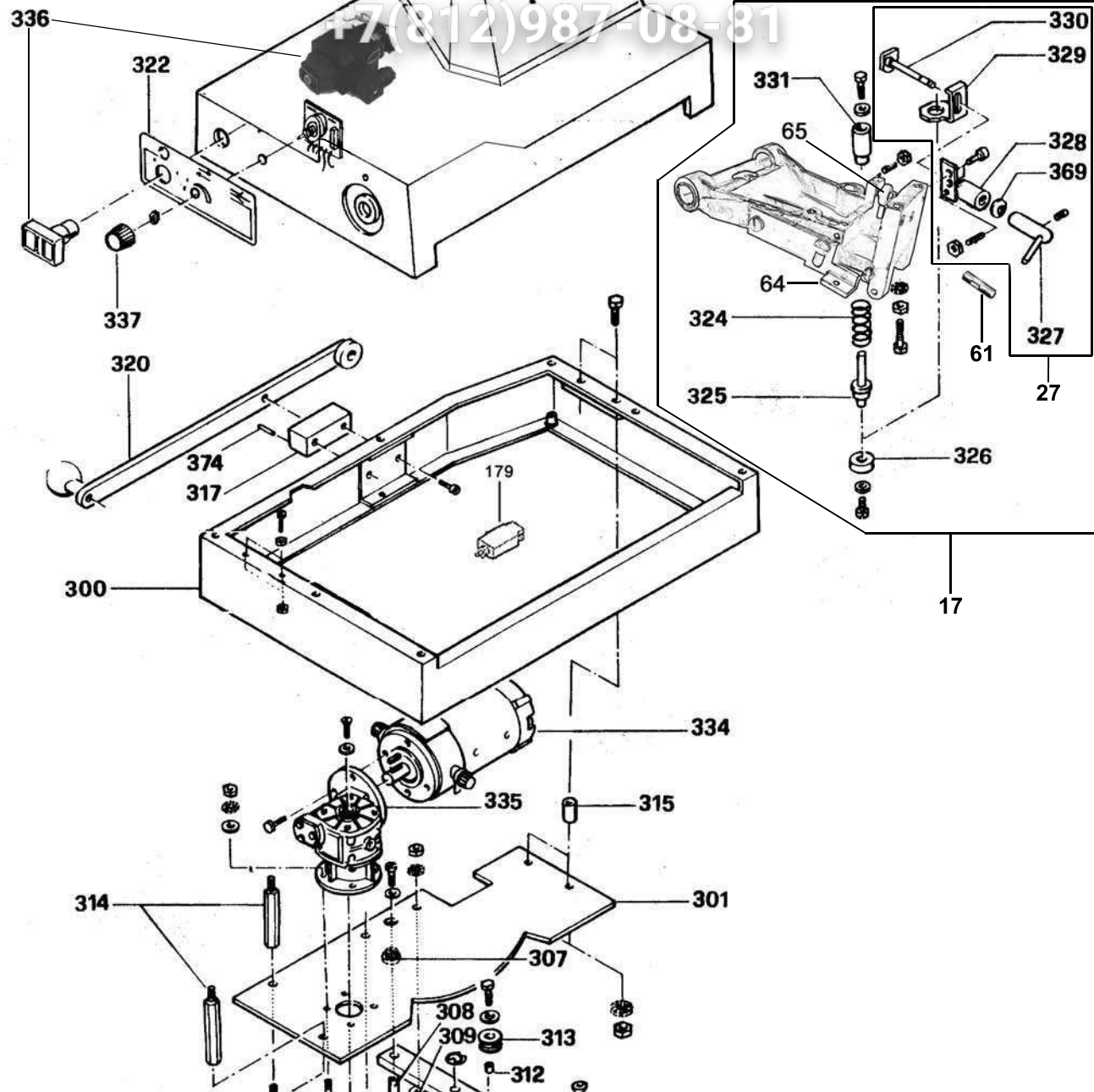


START AUTO 300 SBR CE	
Revision	Date
00	09/2013
From serial n°	
2013/3126	

Зип Общепит

vsezip.ru

+7(812)987-08-81



Зип Общепит

vsezip.ru

+7(812)987-08-81

START AUTO 300 SBR CE SLICER - - REV.00 - ALL PARTS QT/QUANTANIUM HAVE BLACK NON-STICK COATING

Number	Description	Code
001	MACHINE BASE	BAS388F3
001 A	MACHINE BASE QUANTANIUM	BAS388T3
002	SUPPORT:GAUGE PLATE 300 NSF8	SUVE
002 A	SUPPORT:GAUGE PLATE 300 NSF8 QT	SUVET
003	GAUGE PLATE 300	V3191
003 A	GAUGE PLATE 300 - QUANTANIUM	V319190T
004	SPACER:GAUGE PLATE SUPPORT	09690
005	SPRING	08700
006	SLICE THICKNESS CONTROL CAM	06009
007	REGULATOR KNOB METAL	09503
008	SLIDING SHAFT	BATO
009	BUMPER SPRING: SLIDING SHAFT	08713
010	RUBBER WASHER: SLIDING SHAFT	06307
011	SLIDING SHAFT LOCKING SCREW	09713
012	GUIDE BAR	BAPI392
013	GAUGE PLATE MOVEMENT ASSY	0207
014	SHAFT: GAUGE PLATE MOVEMENT	09567
015	SPRING: GAUGE PLATE MOVEMENT	08704
016	PLATE: GAUGE PLATE MOVEMENT	09705
017	CARRIAGE ASSY WITH SHAFT	0065
018	BEARING: CARRIAGE/PRODUCT HOLDER	06515
019	PRODUCT HOLDER SUPPORT	SUPI
019 A	PRODUCT HOLDER SUPPORT QT	SUPIT
020	HANDLE: PROD.HOLDER SUPPORT - BLACK	IMP440
020 A	HANDLE: PROD.HOLDER SUPPORT - BLUE	10895
021	KNOB: PRODUCT HOLDER SUPPORT BLACK	06004
021 A	KNOB: PRODUCT HOLDER SUPPORT BLUE	10894
021 B	KNOB: PRODUCT HOLDER SUPPORT RED	I203576
022	WASHER	09703
023	PRODUCT HOLDER	01351
024	SHAFT: PRODUCT HOLDER	08325
025	KNOB:FOOD PUSHER SHAFT	I1933A
026	FOOD PUSHER ASSY	0055
026 A	FOOD-PUSHER AUTO ASSY QUANTANIUM	0055T

036	NO TILT PIN: CARRIAGE	10877
037	BELT	10885
038	PULLEY ASSY SBR NSF8	0220
039	MOTOR/BELT/PULLEY/CAPACITOR 240/50	0208
039 A	MOTOR/BELT/PULLEY/CAPACITOR 115/60	0209
040	RETAINING RING	10505
041	BLADE PROTECTION	P7967
042	SHARPENER BASE	SCAF
042 A	SHARPENER BASE QT	SCAFT
043	SHARPENER SUPPORT	S9438
044	INTEGRATED SHARPENER ASSY	0222
045	DEBURRING STONE	MOLSB41
046	SHARPENING STONE	08047
047	HOUSING: SHARPENER NSF8	00970F3
047 A	HOUSING: SHARPENER NSF8 QT	00970T3
048	KNOB: SHARPENER HOUSING	06014
049	HOUSING WITH KNOB:SHARPENER	0213
049 A	HOUSING WITH KNOB:SHARPENER QT	0213T
050	TIE-ROD ASSY: BLADE COVER	0132A
051	BRACKET:CAPACITOR	06705
052	CAPACITOR 10µF 450V	07403
052 A	CAPACITOR 14µF 450V	10892
053	ADJUSTABLE FENCE ASSY	0173
053 A	ADJUSTABLE FENCE ASSY QT	0173T
054	KNOB: SBR AND ADJUSTABLE FENCE	10856
055	BRACKET:FOOD PUSHER	09722
056	FINGER GUARD: SPACER	09421
056 A	FINGER GUARD: SPACER QT	09421T
057	CORDSET WITH PLUG SCHUKO	07508
057 A	CORDSET WITH PLUG AUSTRALIA	07510
057 B	CORDSET WITH PLUG USA	07509
057 C	CORDSET WITH PLUG JAPAN	07502
057 D	CORDSET WITH PLUG SOUTH AFRICA	07512
057 E	CORDSET WITH PLUG UK	07506
060	ROD: PRODUCT HOLDER SUPPORT	ASSU404
061	STUD: PRODUCT HOLDER SUPPORT	09056
062	QUICK RELEASE NUT - SBR	10850
063	SBR BLADE EXTRACTOR 300	0075
064	SAFETY BRACKET	10241

312	BUSHING	10212
313	ROLLER BUSHING	10213
314	LONG SPACER FOR PLATE	10223
315	SHORT SPACER FOR PLATE	10224
317	LIFTING BAR SUPPORTING PLATE	10214
317 A	LIFTING BAR SUPPORTING PLATE QT	10214T
320	LIFTING LEVER	10228
320 A	LIFTING LEVER QUANTANIUM	10228T
322	PLATE	10231
324	SPRING	10217
325	DRAGGING SHAFT	10215
326	ROLLER BUSHING	10211
327	LOCK/UNLOCK LEVER	01365
327 A	LOCK/UNLOCK LEVER QT	01365T
328	CAM HOLDER ASSY	0058
329	SHAFT MOVEM.BRACKET	10218
330	LOCK/UNLOCK CONTROL CAM	10219
331	BUSHING:DRAGGING SHAFT	10216
334	MOTOR 220 V	10237
334 A	MOTOR 110 V	10244
335	GEAR BOX	10236
336	SWITCH W/SPEED CONTROL ASSY 240 V	0048
336 A	SWITCH W/SPEED CONTROL ASSY 110 V	0073
337	THUMB WHEEL: SPEED CONTROL	09032
337 A	THUMB WHEEL: SPEED CONTROL QT	09032T
340	RUBBER FOOT	10642
341	FOOT COVER	10625
342	FOOT SPACER	10525
342 A	FOOT SPACER QUANTANIUM	10525T
367	PIN KEY 5X5X20	10246
369	SPRING BAUER	10247
374	8 X 25 PIN	PE517