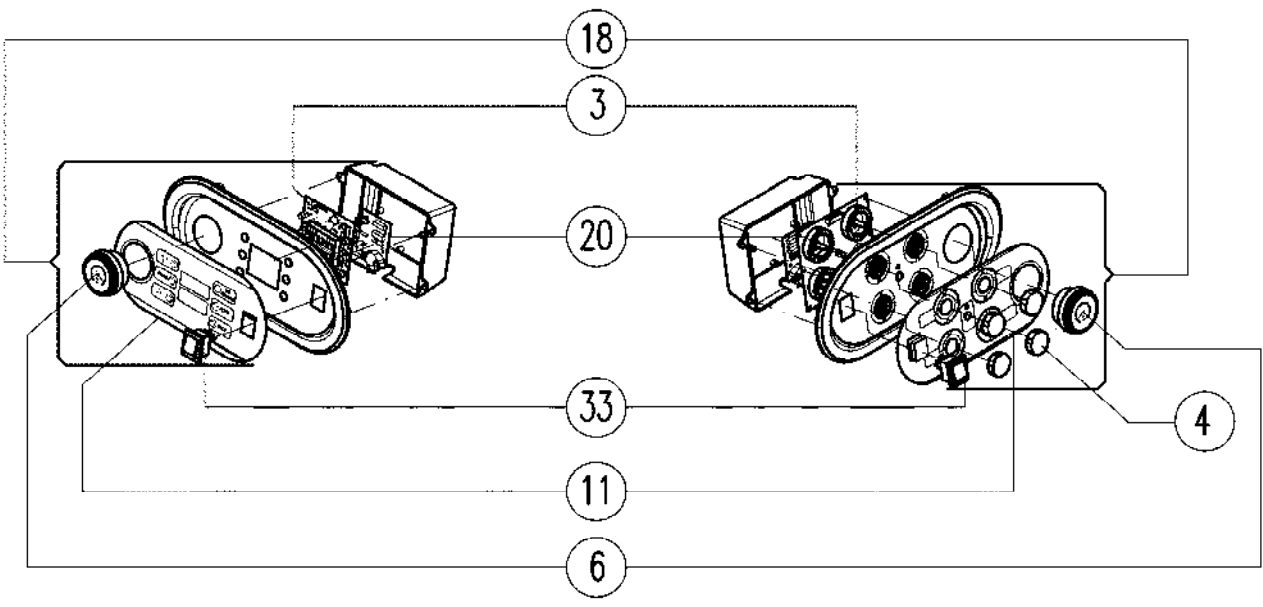
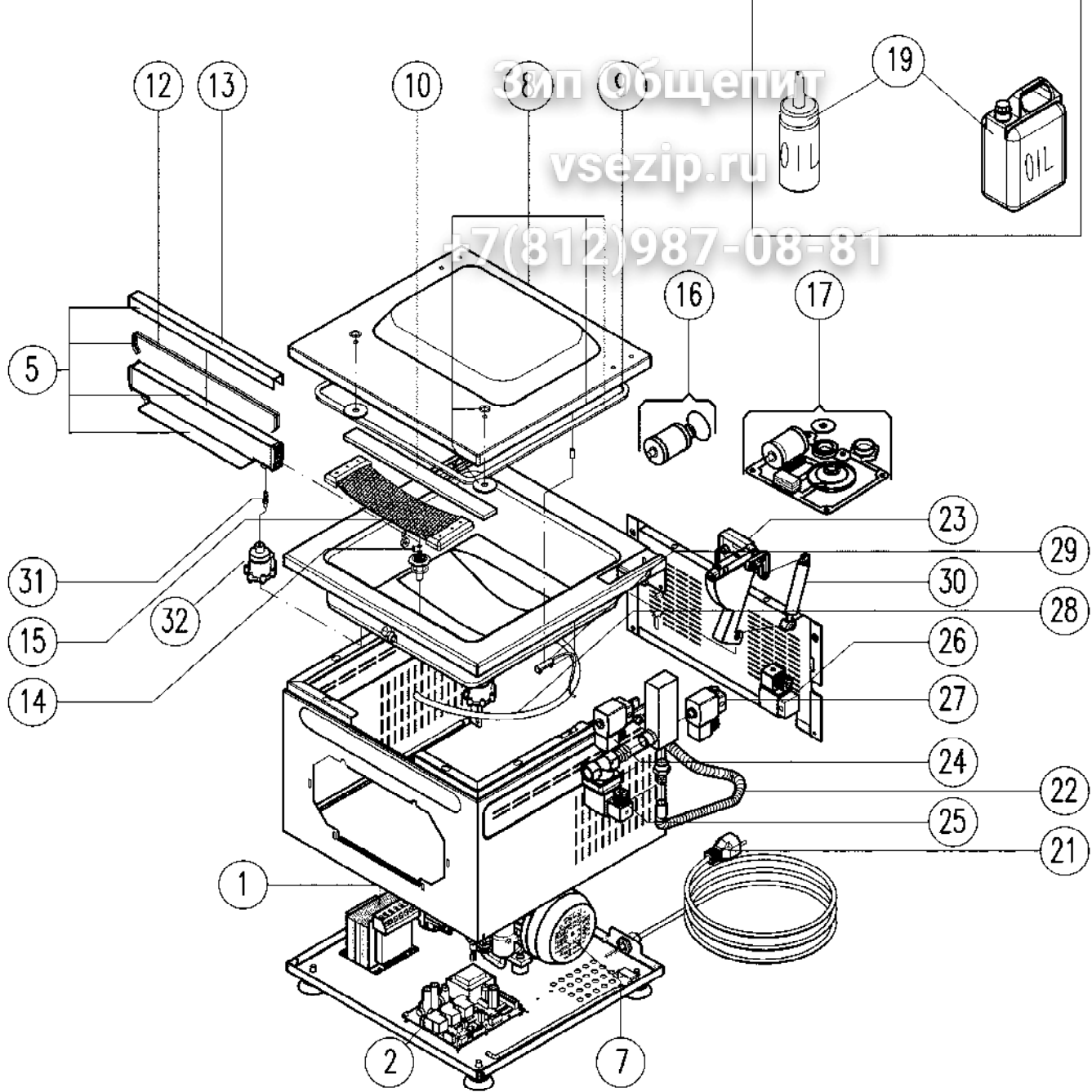


3811 Общепит
vsezip.ru

7(812)987-08-81



SPARE PARTS LIST

Зип Общепит
VM16N

vsezip.ru

+7(812)987-08-81

REF.	CODE	DESCRIPTION	DATE
1	1603707	TRANSFORMER 200VA 100/10-12V	100V
1	1601931	TRANSFORMER 200VA 110/10-12V	110V
1	1603279	TRANSFORMER 200VA 220/10-12V	230V
2	1603690	POWER BOARD H102 MC 100V	100V
2	1601833	POWER BOARD H102 - 110V MC	110V
2	1601834	POWER BOARD H102_2 - 230V MC	230V
3	1603277	COMMAND BOARD K036	K036
3	1603275	COMMAND BOARD K043	K043
4	1603274	CONTROL KNOB (4 PCS)	K043
5	1603253	SEALING BAR MULTIPLE315N-EN DS	DS
5	1603241	SEALING BAR MULTIPLE315N-EN/VM16N/SV31N	NORM.
5	1603247	SEALING BAR MULTIPLE315N-EN TB	TB
6	1603378	VACUUM GAUGE D=50MM	
7	1601641	VACUUM PUMP LC 12 100-110V 50/60HZ	100V
7	1601640	VACUUM PUMP LC 12 115V 60HZ -UL-	110V
7	1601613	VACUUM PUMP LC 12 230V 50/60HZ	230V
8	1603227	LID SV31N/VM16N 1B	1B
8	1603221	LID VM16N 2B	2B
9	1603229	COVER SEAL MC-N	
10	1603332	SILICON RUBBER 29X8X315	
11	1603340	CONTROLS STICKER MC-N K036	K036
11	1603341	CONTROLS STICKER MC-N K043	K043
12	1604087	SEALING WIRE 5x0.3 (1 MT)	DS
12	1604087	SEALING WIRE 5x0.3 (1 MT)	NORM.
12	1603267	CUTTING WIRE D=1.1 NI-CR (1 MT)	TB
13	1604096	TEFLON BAND L=65MM (1 MT)	
14	1604043	O-R FOR COUPLING NOZZLE (10 PCS)	

SPARE PARTS LIST

Зип Общепит
VM16N

vsezip.ru

7(812)987-08-81

REF.	CODE	DESCRIPTION	DATE
15	1604057	UNDER-BAR SEALBAG WITH FITTING L=225MM	
16	1601010	MINOR KIT FOR VACUUM PUMP LC12/LA12 (EXHAUST FILTER)	
17	1601525	MAJOR KIT FOR VACUUM PUMP LC12 (K1000037)	
18	1603271	COMPLETE CONTROL PANEL K036 BRIGHT	K036
18	1603273	COMPLETE CONTROL PANEL K043 ENC BRIGHT	K043
19	1601037	PUMP OIL ORV40 10L	
19	1600500	PUMP OIL ORV40 1L	
19	1601423	PUMP OIL ORV40 500ML	1 CAMBIO
20	1603278	PRESSURE TRANSDUCER MODULE B063.0	
21	CODSE	SPARE PART MANAGED BY CUSTOMER SERVICE	100V
21	1603294	POWER CABLE 3X14AWG AI111USA -UL-	110V
21	1603292	POWER CABLE 3X1X3000 SHUKO EUR	230V
22	1602660	ARMORVIN HOSE D=16 (1 MT)	
23	1603234	HINGES (L+R) MC BRIGHT	
24	1603364	SEALBAG SOLENOID VALVE 1/8"FF D=2 24V-DC	CE
24	1603361	SEALBAG SOLENOID VALVE 1/8"FF D=2 24V -UL-	-UL-
25	1603357	GASFLUSH SOLENOID VALVE 2 WAY 1/2"FF D=10 24V-DC	CE
25	1603353	DEVACUMATE SOLENOID VALVE -UL-	-UL-
26	1604062	SOLENOID VALVE FOR GAS/SOFTAIR 1/8"FF D=2 24V	CE GAS
26	1603358	SOLENOID VALVE FOR GAS/SOFTAIR 1/8"FF D=2 24V -UL-	-UL- GAS
27	1604062	SOLENOID VALVE FOR GAS/SOFTAIR 1/8"FF D=2 24V	CE SOFTAIR
27	1603358	SOLENOID VALVE FOR GAS/SOFTAIR 1/8"FF D=2 24V -UL-	-UL- SOFTAIR
28	1603289	RILSAN HOSE D=8X6 (1 MT)	
29	1603693	REED CONTACT MC-N -UL-	
30	1603238	GAS PRESSURE SPRINGS (2 PCS) 198.155.38	
31	1603270	LAMELLAR PLUG MC-N	
32	1603269	CHAMBER CONTACT KIT MC-N 2PCS(L+R)	

SPARE PARTS LIST

Зип Общепит
VM16N

vsezip.ru

+7(812)987-08-81

REF.	CODE	DESCRIPTION	DATE
33	1604071	MAIN SWITCH 20A	