

Зип Общепит

Арарч vsezip.ru

COOK line +39 0445 37045-08-81

Eurotec SRL, Viale Europa, 24 - 37045  
S. Pietro di Legnago (VR) - ITALY



**SPARE PARTS CATALOGUE  
ERSATZTEILKATALOG  
CATALOGUE PIECES DETACHEES  
CATALOGO PARTI RICAMBIO  
CATALOGO DE PIEZAS DE RECAMBIO  
CATALOGO PECAS, DE REPOSICAO**

Catalogo parti di ricambio valido  
dalla matricola 4280969 (02.10.2014) alla matricola 4293856 (18.05.2015)

Catalogue pieces detachees  
du numero de Série n. 4280969 (02.10.2014) jusqu'à n. 4293856 (18.05.2015)

Ersatzteilkatalog  
ültig ab Serien-Nr. 4280969 (02.10.2014) bis Serien-Nr. 4293856 (18.05.2015)

Spare parts catalogue  
valid from serial no. 4280969 (02.10.2014) to serial no. 4293856 (18.05.2015)

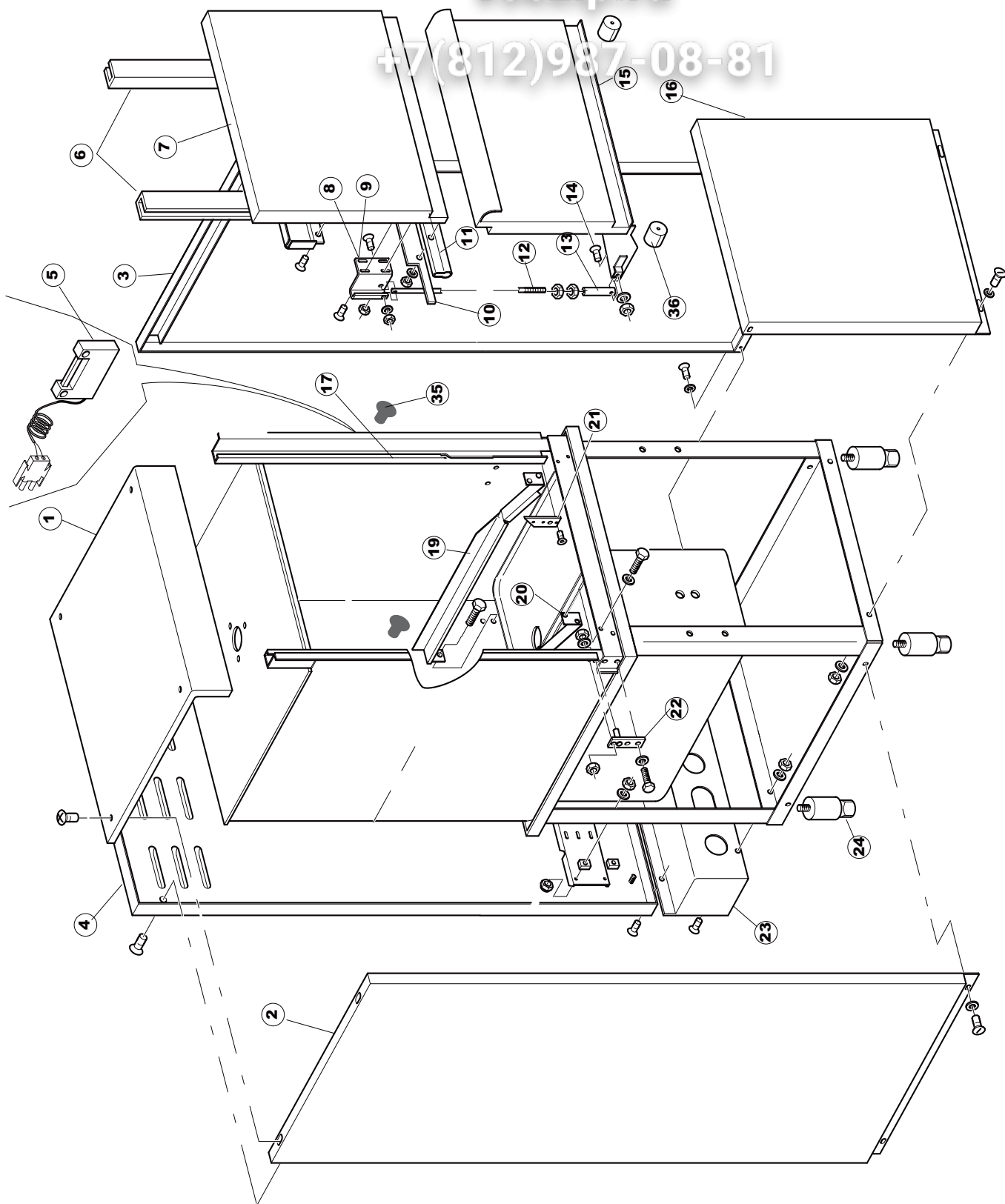
Catálogo de peças de reposição  
o de série 4280969 (02.10.2014) até o número de série 4293856 (18.05.2015)

**AK901**

Зип Общепит

vsezip.ru

+7(812)987-08-81



# Listino componenti per pagina 1

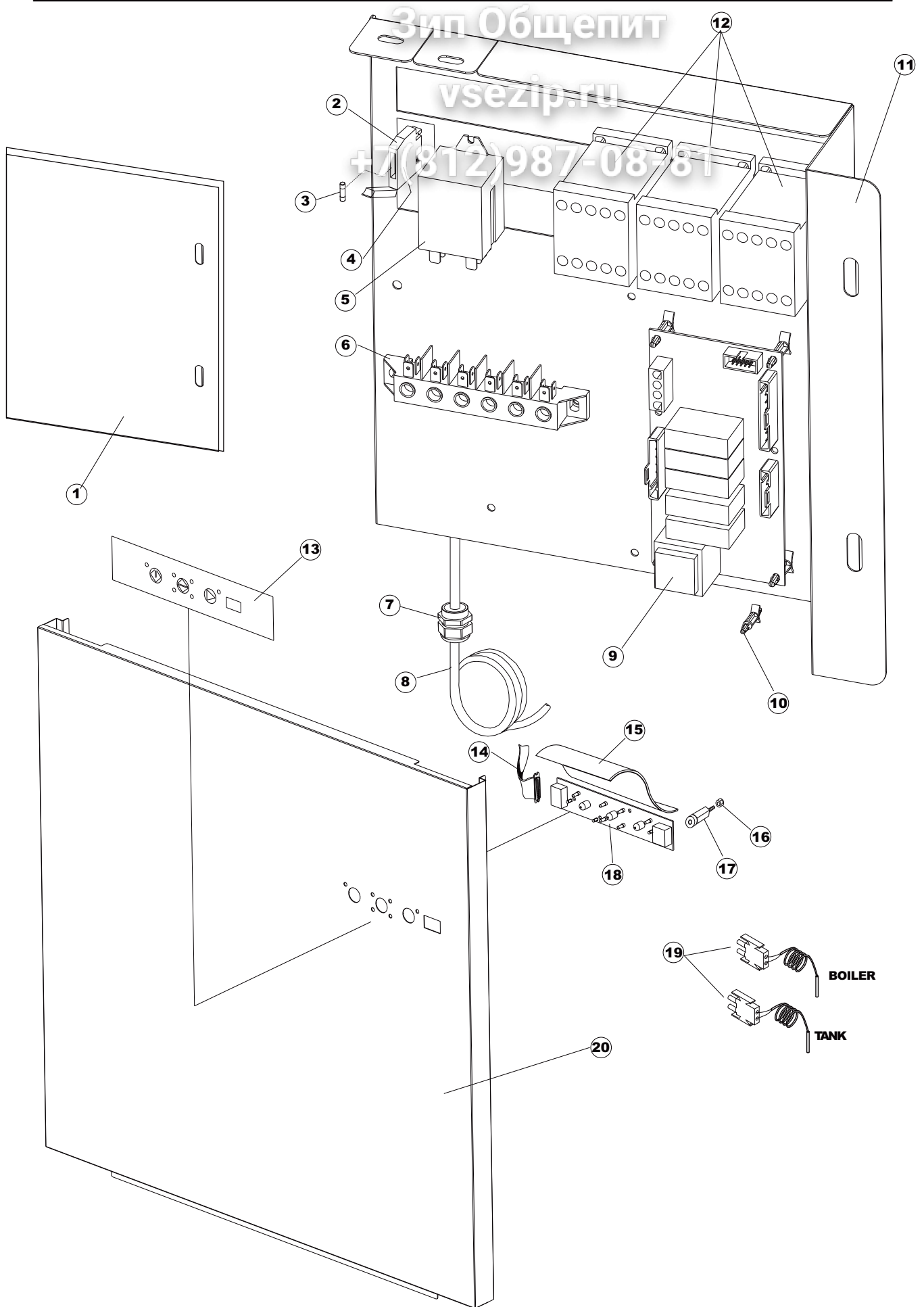
Zip **Общепит**

vsezip.ru

(812)987-08-81

1	41118	PANNELLO SUPERIORE HAUT PANNEAU OB. PLATTE U61/61H TOP PANEL panel superior	
2	41810	PANNELLO LATERALE SINISTRO PANNEAU LATERAL GAUCHE LINKEN SEITENWAND LEFT SIDE PANEL PANEL LATERAL IZQUIERDO	
3	41814	PANNELLO LATERALE DESTRO PANNEAU LATERAL DROITE REICHT SEITENWAND RIGHT SIDE PANEL PANEL LATERAL DERECHO	
4	41122	PANNELLO POSTERIORE PANNEAU ARRIERE PLATTE, HINTEN U61 BACK PANEL PANEL TRASERO	
5	80871  <i><u>Recommended spare parts</u></i>	MICRO MAGNETICO CONTACTE MAGNETIQUE TUERKONTAKTSCHALTER MAGNETIC DOOR SWITCH CONTACTO MAGNETICO	
6	41038	GUIDA SCORREVOLE PER SPORTELLO SUPERIORE PER LAVA GUIDE GLISSANTE PORTE SUPERIEURE POUR LA VE-CASSER SCHIEBER, OB.TÜR U61/61H DOOR SLIDING GUIDE - UPPER FOR POT AND PAN WASHER GUIA CORRED. PUERTA SOP. U61/61H	
7	41580	PORTA SUPERIORE PORTE SUPERIEURE TUER - OBEN - KOMPLETT - FUER KOCHTOEPFE SPUELER UPPER DOOR PUERTA SUPERIOR	
8	4108701	STAFFA DESTRA PORTA console de support CHAUDIÈRE RECHT-HATER FUER ANKUPPELN DER OBEREN TUER-STANG DOOR BRACKET DERECHA TOPE PUERTA	
9	4108801	STAFFA SINISTRA PORTA console de support LINK-HALTER FUER ANKUPPELN OBEREN TUERSTANGE FUEF support bracket ménsula de soporte	
10	41582	STAFFA GUARNIZIONE PORTA SUPPORT JOINT PORTE SUPERIEURE HALTERUNG FUER TUERPACKUNG - OBEN FUER K DOOR PACKING SUPPORT - UPPER SOPORTE JUNTA PUERTA SOP. U61. .	
11	41583  <i><u>Recommended spare parts</u></i>	GUARNIZIONE PORTA JOINT POUR PORTE TUERDICHTUNG DOOR GASKET JUNTA PUERTA	
12	4109301	TIRANTE SPORTELLO TIRANT PORTE POUR LAVE-CASSEROLES ZUGSTAB, TÜR 610 DOOR TIE FOR POT AND PAN WASHERS TIRANTE PUERTA 610	
13	41095	BOCCOLA SUPERIORE TIRANTE SPORTELLO PER LAVAPENTC BOUCLE SUPERIEURE TIRANT PORTE POUR LAVE -CASSEROI BUCHSE, TÜRZUGSTAB 610/610H UPPER BUSH FOR DOOR TIE FOR POT AND PAN WASHERS CASQUILLO TIRANTE PUERTA 610/610H	
14	486078  <i><u>Recommended spare parts</u></i>	VITE IN ACCIAIO INOSSIDABILE SPEC. 6MA VIS EN ACIER INOXYDABLE 6MAX30 T.1/2 TC SCHRAUBE TC-CE M6X40 INOX STAINLESS STEEL SCREW 6MAX30 T.1/2 TC TORNILLO TC-CE M6X40 INOX	
15	41570	PORTA INFERIORE PORTE INFERIEURE UNTERE TUR LOWER DOOR PUERTA INFERIOR	

16	41327	PANNELLO ANTERIORE PANNEAU AVANT FRONTPANEEL FRONT PANEL PANEL FRONTAL	
17	929199	PIEDINO TIPO 30191.1.2 (NERO) VERRIN TYPE 30191.1.2 (NOIR) STÜTZFUSS, ANSCHLAG TYP 30191.1.2 (SCHWARZ) FOOT TYPE 30191.1.2 (BLACK) PATA TOPE TIPO 30191.1.2 (NEGRO)	
18	41059	PARASPRUZZI PER BREAK-TANK U61.. PROTECTIONS CONTRE LES JETS D'EAU SPRITZBLECH FÜR BREAK-TANK U61.. SPASH PROTECTION protección contra chorros de agua	
19	41539	GUIDA CESTO GUIDE PANIER KORBFUEHRUNG RACK SLIDE GUIA CESTA	
20	41539	GUIDA CESTO GUIDE PANIER KORBFUEHRUNG RACK SLIDE GUIA CESTA	
21	4113501	SPESSORE PORTA EPAISSEUR LATERAL PORTE DX/SX SEITL. EINLEGERING FÜR TÜR DOOR SIDE THICKNESS - DX/SX GROSOR LAT. PUERTA	
22	4114501	PIASTRA PORTA PLAQUE PETITE POUR PIVOT PORTE PLATTE, TÜRANGEL U61.. SMALL PLATE FOR DOOR PIN PLANCHITA PERNO PUERTA U61. .	
23	41622	PANNELLO POSTERIORE PANNEAU ARRIERE RUECKWANDVERKLEIDUNG BACK PANEL PANEL TRASERO	
24	927006	PIEDE VERRIN VERSTELLFUSS FÜR KORBTR. FOOT PATA REGULABLE	
35	929199	PIEDINO TIPO 30191.1.2 (NERO) VERRIN TYPE 30191.1.2 (NOIR) STÜTZFUSS, ANSCHLAG TYP 30191.1.2 (SCHWARZ) FOOT TYPE 30191.1.2 (BLACK) PATA TOPE TIPO 30191.1.2 (NEGRO)	
36	41100	TAMPONE BATTUTA SPORTELLO LP TAMPON COUP PORTE POUR LAVE-CASSEROLES PUFFER, TÜRANSCHLAG LP DOOR BEATING POINT BUFFER TAMPON TOPE PUERTA LP	



# Listino componenti per pagina 2

Zip **Общепит**

vsezip.ru

+7(812)987-08-81

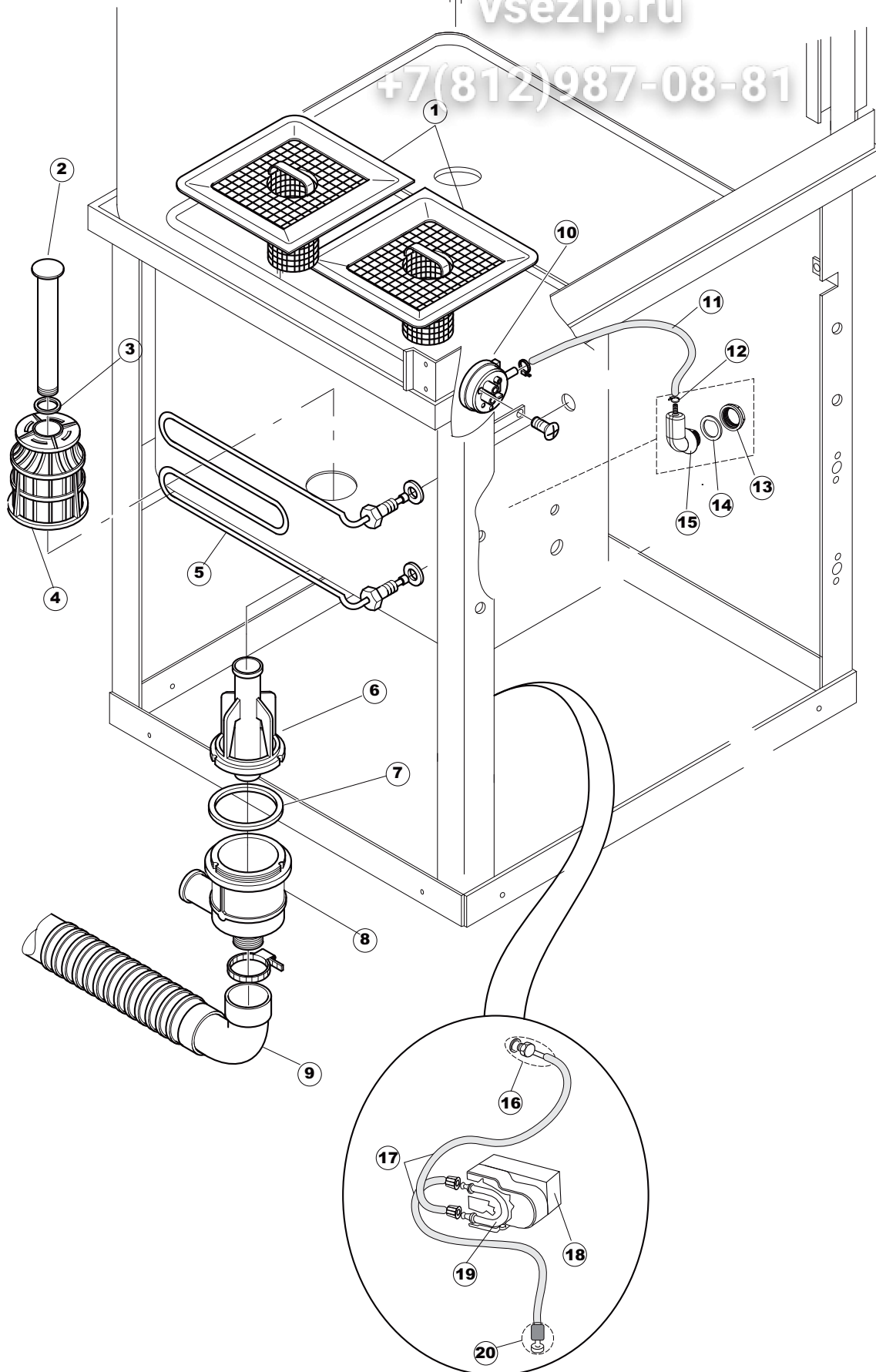
1	41118	PANNELLO SUPERIORE HAUT PANNEAU OB. PLATTE U61/61H TOP PANEL panel superior	
2	H.228047	PORTAFUSIBILE PORTE-FUSIBLE *SICHERUNGSTRAGER FUSE-HOLDER PORTA-FUSIBLE	
3	228004  <u>Recommended spare parts</u>	FUSIBILE FUSIBLE SICHERUNG, 5X20 4A FAST FUSE FISIBLE	
4	H.228048	TAPPO PORTAFUSIBILE BOUCHON * SICHERUNGSTRAGER-VERSCHLUSS PLUG TAPON	
5	929115  <u>Recommended spare parts</u>	RELE 16A-230V RELAIS 16A 230V RELAIS 16A 230V 62.82 RELAY 16A 230V RELE 16A 230V	
6	220011	MORSETTIERA bornier pour le raccordement * KLEMMENBRETT, 5-POLIG + ERDUNG FV.122 TERMINAL BLOCK bloque de terminales	
7	DEP521	PASSACAVO PRESSE ÉTOUPE KABELSCHELLE PG21 (BER 4721) CABLE GLAND PASACABLES	
8	80997	CAVO ALIMENTAZIONE5X2,5MM (H07RN-F) CÂBLE D'ALIMENTATION ANSCHLUSSKABEL 400V power cable CABLE ALIMENTACION 5X2,5MM (H07RN-F)	
9	215027  <u>Recommended spare parts</u>	SCHEDA ELETTRONICA CARTE ELECTRONIQUE PLATINE MAIN BOARD TARJETA electrónica	
10	CWP2	PIEDINI SUPPORTO SCHEDA ELETTRONICA VERRIN STÜTZFÜSSE FÜR PLATINE (ART.DRA6A) FOOT PATA	
12	73350  <u>Recommended spare parts</u>	CONTATTORE CONTACTEUR KONTAKT-GEBER 230-50/60HZ CONTACTOR CONTACTOR	
13	41743	INTERFACCIA ADESIVA DI CONTROLLO INTERFACE ADHÉSIVE CONTRÔLE TASTATURFOLIEN CONTROL ADHESIVE INTERFACE INTERFAZ ADHESIVA DE CONTROL	
14	80934  <u>Recommended spare parts</u>	CAVO FLAT CABLE FLAT FLACHKABEL FLAT CABLE CABLE FLAT	
15	69810	TENDINA COPERTURA TASTIERA PANN ANT. rideau VORHANG CURTAIN CORTINA COPERTURA TECLADO PAN. DELANT.	
16	417119  <u>Recommended spare parts</u>	DADO ECROU SCHRAUBENMUTTER, M3 KUNST. WEISS NUT TUERCA	

17	419036 <i><u>Recommended spare parts</u></i>	DISTANZIALI SCHEDA ENTRETOISE X CARTE ELECTRONIQUE ABSTANDSSTÜCK, M3 INTERFACE BOARD DISTANCE KEEPERS DISTANCIADOR M3	
18	227074 <i><u>Recommended spare parts</u></i>	TASTIERA touche clavier commande TASTENFELD CONTROL KEYBOARD TECLADO DE COMANDOS	
19	231016 <i><u>Recommended spare parts</u></i>	SONDA TEMPERATURA SONDE TEMPERATURSONDE TEMPERATURE PROBE SONDA TEMPERATURA (AMPOLLA ACERO)	
20	41327	PANNELLO ANTERIORE PANNEAU AVANT FRONTPANEEL FRONT PANEL PANEL FRONTAL	

Зип Общепит

vsezip.ru

+7(812)987-08-81





# Listino componenti per pagina 3

Зип Общепит

vsezip.ru

+7(812)987-08-81

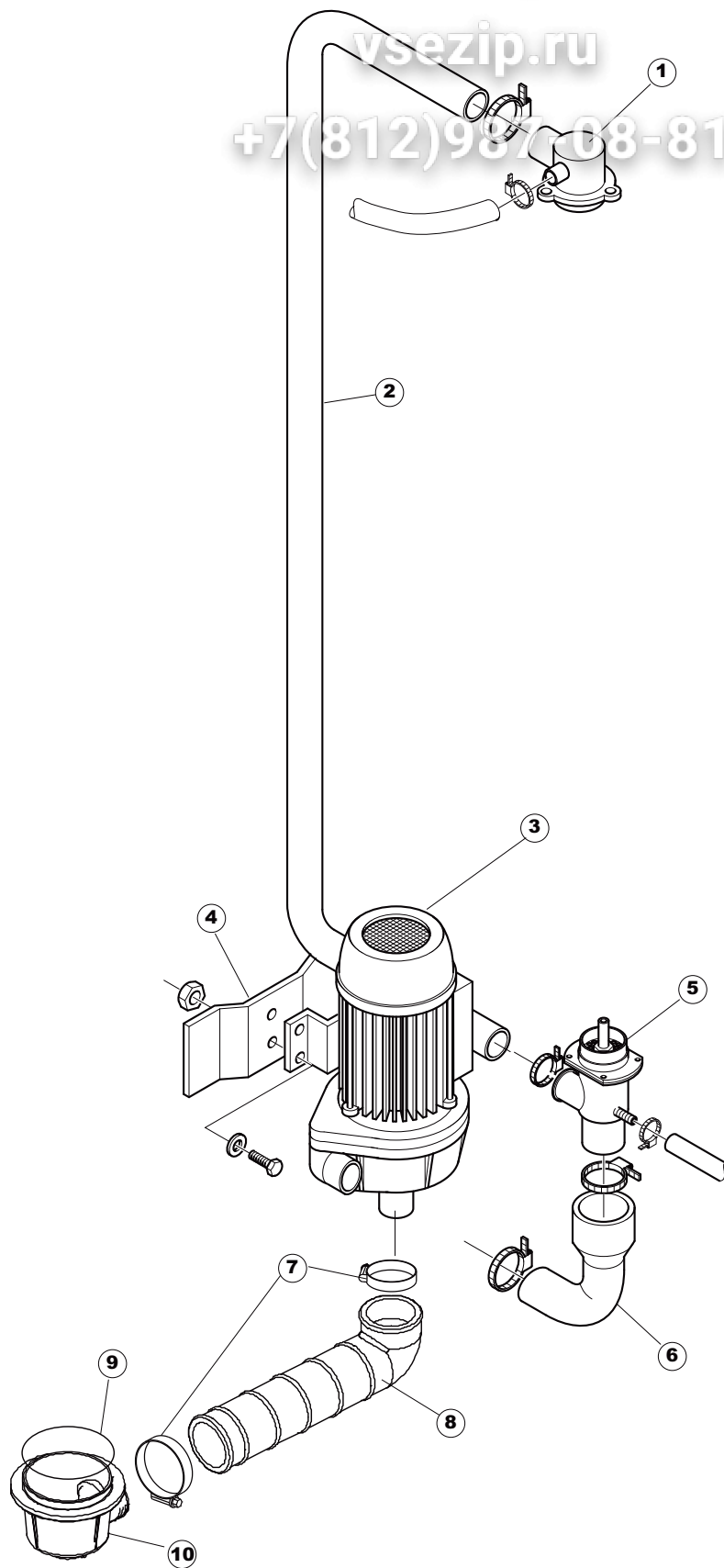
1	41257	FILTRO VASCA COMPLETO FILTRE TANKSIEB, KOMPLETT STAINER FILTRO	
2	80250	TROPPOPIENO TROP PLEIN ÜBERLAUF RIVER 82/83 OVERFLOW PIPE REBOSE	
3	CGR4131NT  <i><u>Recommended spare parts</u></i>	O-RING O-RING O-RING 4131 SCHWARZE SCHRAUBE SH.70 O-RING O-RING	
4	121081	FILTRO FILTRE FILTER, PUMPE GRAU 44/TERZ. STAINER FILTRO	
5	70562  <i><u>Recommended spare parts</u></i>	RESISTENZA 3000W 230V MONOFASE RESISTANCE TANKHEIZUNG HEATING ELEMENT RESISTENCIA	
6	80470	GHIERA SCARICO DOUILLE GEWINDERING, ABLAUF RING NUT CONTERA VIROLA	
7	456040	guarnizione o-ring joint torique o-ring O-Ring 201 NBR70 22 O-ring junta tórica o-ring	
8	136020  <i><u>Recommended spare parts</u></i>	CORPO ASPIRAZIONE E SCARICO CORPS D'ASPIRATION/VIDANGE GEHAUSE, EINLASS/ABLASS 22/44 ASPIRATION AND DRAIN BODY CUERPO ASPIRACION/DESCARGA	
9	143136	TUBO SCARICO VERS.NE INTEGR.22 TUYAU DE VIDANGE ABLASSROHR - VOLLST. VERSION 22 DRAIN HOSE TUBO DESCARGA	
10	926049  <i><u>Recommended spare parts</u></i>	PRESSOSTATO TIPO 180-70 PRESSOSTAT DRUCKSCHALTER 761999 180-70 PRESSURE SWITCH PRESOSTATO	
11	143253  <i><u>Recommended spare parts</u></i>	TUBO SILICONE TRASPARENTE 3X8 TUYAU SILIKONSCHLAUCH 3X8 PIPE MANGUITO	
12	CFF10073	FASCETTA FERMA CAVI Collier de serrage SCHLAUCHSCHELLE 10073 CABLE TIE ABRAZADERA	
13	417120  <i><u>Recommended spare parts</u></i>	DADO ECROU KUNSTSTOFFMUTTER 1-1/4 NUT TUERCA	
14	437098  <i><u>Recommended spare parts</u></i>	GUARNIZIONE JOINT DICHTUNG FUER LUFTFALLE GASKET JUNTA	
15	107012	TRAPPOLA ARIA cloche de pression LUFTFALLE AIR TRAP for pressure switch CAMPANA PRESOSTATO	

16	468151	RACCORD DETERSIVO VASCA RACCORD EN ACIER INOXYDABLE ENTREE TANKEINLAUF CPL NM* STAINLESS STEEL INLET DETERGENT ELBOW. EMPALME ENTRADA JABON CPL NM * SOLDADO	
17	143194  <u>Recommended spare parts</u>	TUBO 4x6 CRISTAL TRASPARENTE TUYAU SCHLAUCH 4X6 CRISTAL, DURCHS. PIPE MANGUITO	
18	209021  <u>Recommended spare parts</u>	DOSATORE DETERGENTE distributeur de détergent PERISTALTISCHES DOSIERGERÄT KLARSPÜLER detergent AID PUMP dispensador de detergente	Optional
19	143219  <u>Recommended spare parts</u>	TUBO "SANTOPRENE" CON RACCORDO TUYAU "SANTOPRENE" MEMBRANSCHLAUCH SANTOPREN "SANTOPRENE" PIPE TUBITO SANTOPRENE	
20	121075	FILTRO DETERSIVO FILTRE POUR POMPE DETERGENT FUSSFILTER DETERGENT PUMP FILTER (S6754) FILTRO ASPIR. INOX(775239-001)	

Зип Общепит

vsezip.ru

+7(812)987-08-81



# Listino componenti per pagina 4

Зип Общепит

vsezip.ru

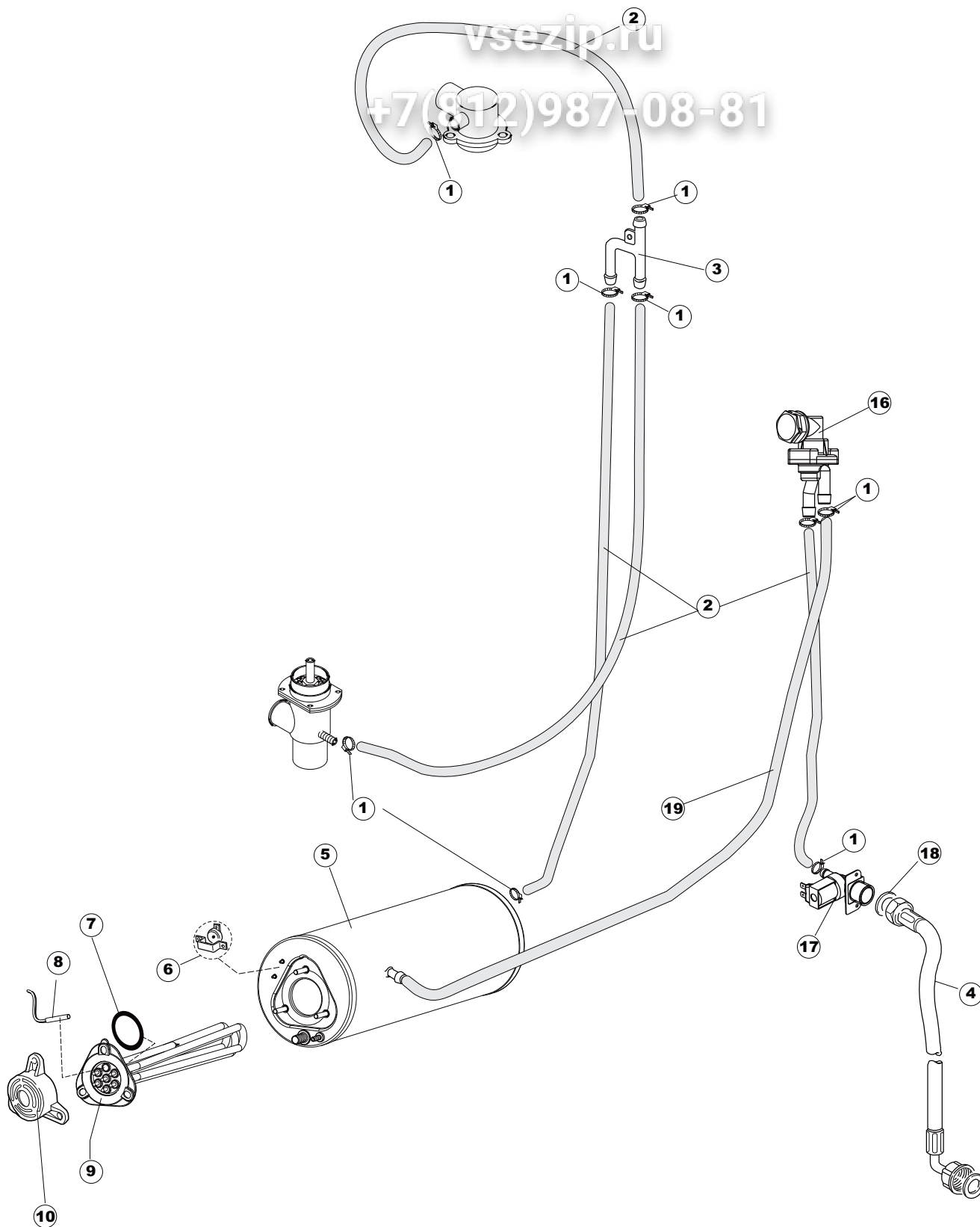
+7(812)987-08-81

1	35604	COLLETORE CENTRALE SUPERIORE COLLECTOR CENTRALE SUPÉRIEUR ZENTRAL LEITUNG HÖHER UPPER MAIN MANIFOLD COLECTOR CENTRAL MAYOR	
2	41554	TUBO LAVAGGIO TUYAU SPUELLEITUNGAVAGE PIPE MANGUITO	
3	80115  <i>Recommended spare parts</i>	POMPA LAVAGGIO POMPE DE LAVAGE ELEKTROPUMPE 1,6KW 230-400V/50HZ (5295.5050) WASHPUMP bomba de lavado	
4	41626	STAFFA POMPA console de support Stützwinkel support bracket ménsula de soporte	
5	4206301	COLLETORE LAVAGGIO INFERIORE COLLECTOR INFERIEURE VERBINDUNGSST., SPÜLARM UNTEN EW610.. lower MANIFOLD COLECTOR inferior	
6	41560	MANICOTTO MANDATA LAVAGGIO tuyau de refoulement à laver MUFFE DELIVERY WASH HOSE MANGUITO LAVADO	
7	CFS3	FASCETTA A VITE TORRO W2B 60-80/12 BANDE DE SERRAGE A VIS TORRO W2B 60-80/12 SCHELLE, SCHRAUBE TORRO W2B 60-80/12 CLAMP, HOSE-TYPE TORRO W2B 60-80/12 ABRAZADERA CON TORNILLO TORRO W2B	
8	80186	MANICOTTO ASPIRAZIONE tuyau d'aspiration MUFFE, ABSAUG.PUMPE RIVER suction pipe tubo de aspiración	
9	456040	guarnizione o-ring joint torique o-ring O-Ring 201 NBR70 22 O-ring junta tórica o-ring	
10	136020  <i>Recommended spare parts</i>	CORPO ASPIRAZIONE E SCARICO CORPS D'ASPIRATION/VIDANGE GEHAUSE, EINLASS/ABLASS 22/44 ASPIRATION AND DRAIN BODY CUERPO ASPIRACION/DESCARGA	

# Зип Общепит

vsezip.ru

+7(812)987-08-81



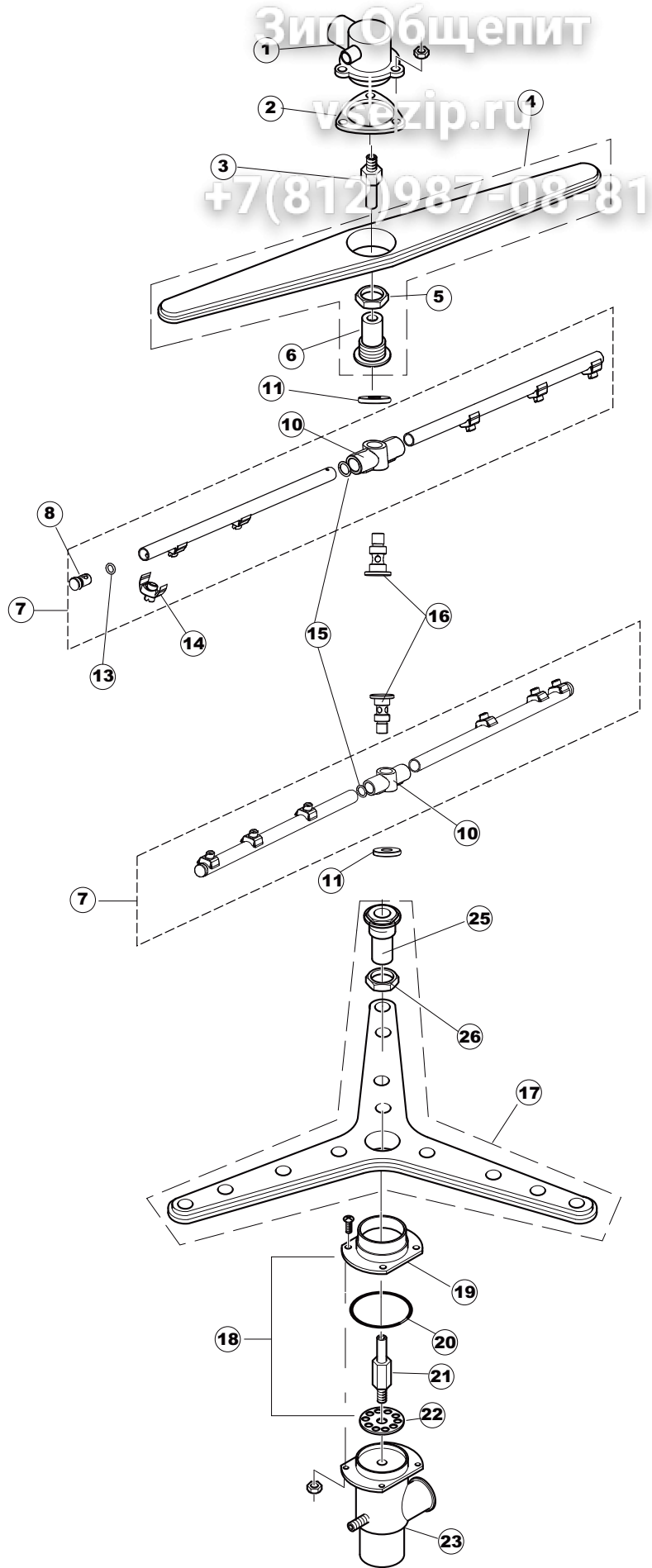
# Listino componenti per pagina 5

Зип Общепит

vsezip.ru

(812) 987-08-81

1	927322	FASCETTA SERRAGGIO TUBI Collier de serrage SCHLAUCHSCHELLE 12-22 HOSE CLAMP ABRAZADERA	
2	143010	TUBO IN GOMMA 12X19,5 (FOOD QUALITY) TUYAU EN CAOUTCHOUC 12X19,5 ROHR, DRUCKSCHALTER TP 12X19,5 RUBBER PIPE 12X19,5 TUBO PRES. TP 12X19,5	
3	143268  <i>Recommended spare parts</i>	GIUNZIONE A "Y" DI RISCIAQUO JONCTION "Y" Y-STUECK JuNCTION "Y" UNION "Y"	
4	929169	TUBO DI CARICO TERMOPLASTICO TUYAU DE CHARGEMENT THERMOPLASTIQUE ZULAUFSCHLAUCH, WASSER THERMOPLAST THERMOPLASTIC INLET HOSE TUBO DE CARGA DEL TERMOPLASTICO	
5	41389	BOILER CHAUDIÈRE WARMWASSERBEREITER BOILER CALDERIN	
6	926189  <i>Recommended spare parts</i>	TERMOSTATO 95°C THERMOSTAT DE SURETE' A CONTACT SICHERHEITSTHERMOSTAT 95°C CONTACT SAFETY-THERMOSTAT TERMOSTATO CALENTADOR SEG. 95°C	
7	456002	guarnizione o-ring joint torique o-ring O-Ring 48x6,2 O-ring junta tórica o-ring	
8	231016  <i>Recommended spare parts</i>	SONDA TEMPERATURA SONDE TEMPERATURSONDE TEMPERATURE PROBE SONDA TEMPERATURA (AMPOLLA ACERO)	
9	230083C  <i>Recommended spare parts</i>	KIT RESISTENZA 6KW RESISTANCE 6KW KIT HEIZUNG REB230083 (6KW) HEATING ELEMENT 6KW RESISTENCIA 6KW	
10	69870	PROTEZIONE RESISTENZA BOILER PROTECTION RESISTANCE BOILER HEIZUNGSCHUETZ DES WARMWASSERBEREITERS BOILER HEATING ELEMENT PROTECTION PROTECCION RESISTENCIA CALENTADOR	
16	144010	DISPOSITIVO DI NON RITORNO Clapet Anti-Retour RÜCKSCHLAGVORR.(EB) MIT ENTLÜFTUNG NON RETURN VALVE válvula de retención	
17	240016  <i>Recommended spare parts</i>	ELETTROVALVOLA ELECTROVANNE ZUFLUSSVENTIL 1-WEG 3/4 230V DROSS.16L SOLENOID VALVE ELECTROVALVULA	
18	437041	GUARNIZIONE 3/4 JOINT DICHTUNG 3/4 GASVERSORG. GASKET JUNTA	
19	41556	TUBO SAGOMATO TUYAU ROHR PIPE MANGUITO	



# Listino componenti per pagina 6

Зип Общежит

vsezip.ru

+7(812)987-08-81

1	35604	COLLETORE CENTRALE SUPERIORE COLLECTOR CENTRALE SUPERIEUR ZENTRAL LEITUNG HÖHER UPPER MAIN MANIFOLD COLECTOR CENTRAL MAYOR	
2	437064	GUARNIZIONE JOINT DICHTUNG, SAMMELLEITUNG, ZENTR.OB.50 GASKET JUNTA	
3	80282	PERNO LANCIA IN ACCIAIO INOSSIDABILE PIVOT WELLE, ZAPFEN NACHSPÜLEN RIVER PIVOT PERNO	
4	80311	BRACCIO COMPLETO LAVAGGIO BRAS DE LAVAGE COMPLET KAMM, SPÜLEN RIVER-DURCHSCHUBSPÜLAUTOM. COMPLETE WASH ARM BRAZO LAVADO COMPLETO	
5	80314	GHIERA LANCIA LAVAGGIO DOUILLE SCHRAUBENMUTTER, SPÜLLANZE GRAU RING NUT CONTERA VIROLA	
6	80310	SUPPORTO BRACCIO SUPPORT RAMPE DE LAVAGE GRIS (RAL7001) HALTER, SPÜLLANZE/SPÜL. (RAL7001) GREY WASH ARM HOLDER (RAL 7001) SOPORTE LANC/LAVADO (RAL7001)	
7	41677	BRACCIO COMPLETO RISCIAQUO BRAS DE RINCAGE COMPLET NACHSPUELUNGSARM - DREHBAR - FUER KOCHTO EPFESPU COMPLETE RINSE ARM BRAZO ACLARADO COMPLETO	
8	926132	TAPPO PL.X BRACCIO DI RISC.(DWT312) EMBOUT EN PLASTIQUE POUR RAMPE DE RINC. PFROPFEN, KUNST. FÜR NACHSPÜLARM (DWT312) PLASTIC RINSE ARM CAP TAPON PL. X BRAZO DE ENJUAGUE (DWT312)	
10	69632	CORPO BRACCIO CORPS BRAS KOERPER DES NACHSPUELARMES BODY ARM CUERPO BRAZO	
11	80679	GHIERA M12 INOX DOUILLE RING RING NUT CONTERA VIROLA	
13	456030	guarnizione o-ring joint torique o-ring O-Ring 106 (CGR106) O-ring junta tórica o-ring	
14	140036  <i>Recommended spare parts</i>	SPRUZZO RISCIAQUO GLICEUR DÜSE RINSE JET ROCIADOR ENJUAGUE	
15	456019	guarnizione o-ring joint torique o-ring O-Ring 2037 O-ring junta tórica o-ring	
16	80644	PERNO PIVOT ZAPFEN PIVOT PERNO	
17	929195	BRACCIO COMPLETO LAVAGGIO BRAS DE LAVAGE COMPLET DREIECKIGER WASCHARM KOMPL. U61 COMPLETE WASH ARM BRAZO LAVADO COMPLETO	

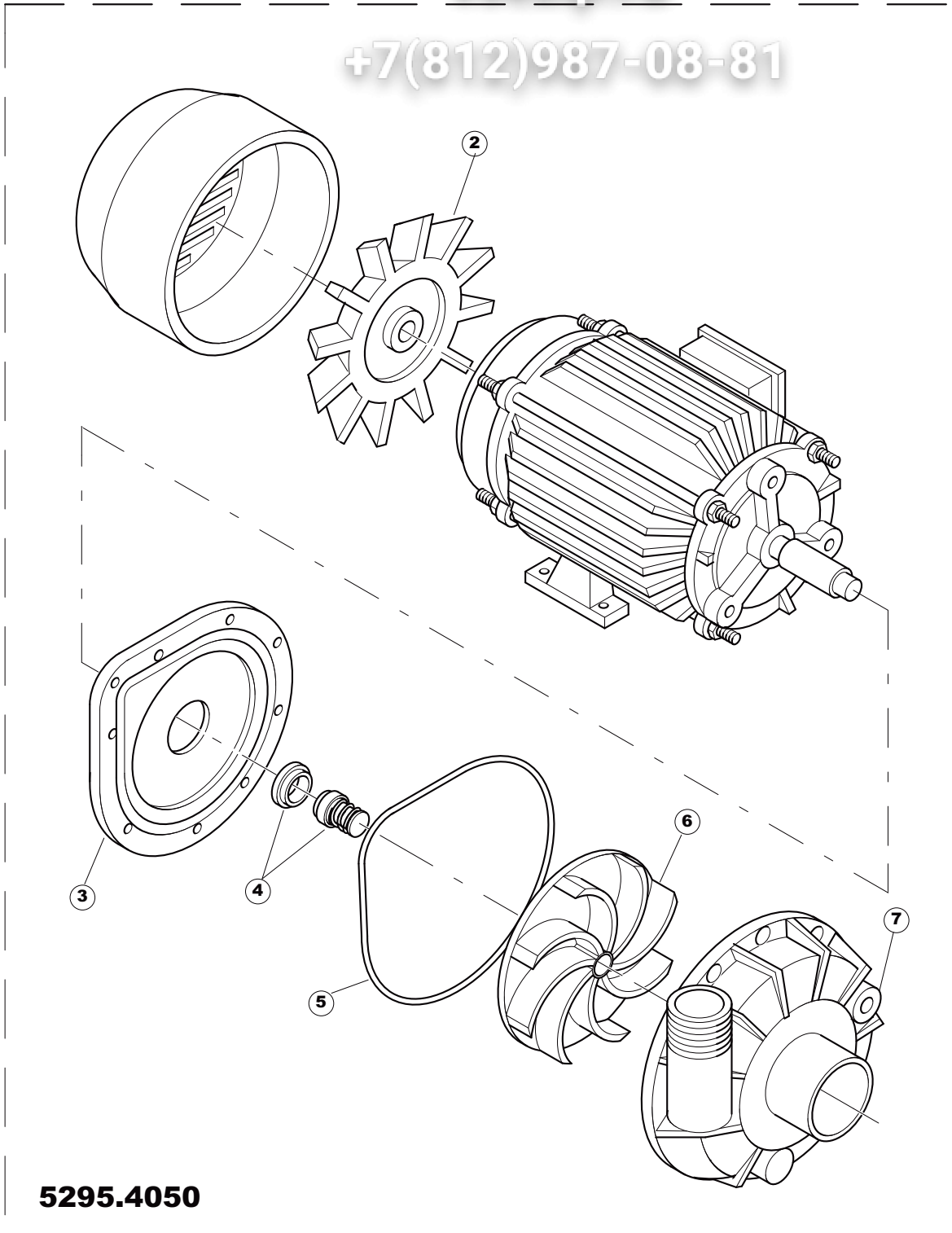


18	41064CP	CONTROFLANGIA SUPPORTO LANCIA DI LAVAGGIO PER LAVA/ CONTRE-BRIDE SUPPORT RAMPE DE LAVAGE POUR LAVE-CA GEGENFLANSCH, OB. FÜR SPÜLLANZE U61/61H SUPPORT COUNTER-FLANG OF WASH ARM OF POT AND PAN CONTRABRIDA SUP. LANZA LAV. U61/61H	
19	41064	CONTROFLANGIA SUPPORTO LANCIA DI LAVAGGIO PER LAVA/ CONTRE-BRIDE SUPPORT RAMPE DE LAVAGE POUR LAVE-CA UNTERLAGE SUPPORT COUNTER-FLANG OF WASH ARM OF POT AND PAN CONTRABRIDA SUP. LANZA LAV. LP	
20	926252	guarnizione o-ring joint torique o-ring O-Ring 4275 O-ring junta tórica o-ring	
21	42053	PERNO LANCIA LAV.INFER.U61 PIVOT ZAPFEN, UNT.SPÜLLANZE U61 PIVOT PERNO	
22	41185	PARZIALIZZATORE PERNO RISCACQUO REDUCTEUR POUR LAVE-CASSEROLES DROSSELGERAT PL. REDUCER FOR POT AND PAN WASHER PARCIALIZADOR PL.	
23	4206301	COLLETTORE LAVAGGIO INFERIORE COLLECTOR INFERIEURE VERBINDUNGSST., SPÜLARM UNTEN EW610.. lower MANIFOLD COLECTOR inferior	
25	926129	SUPPORTO BRACCIO SUPPORT/MOYEU RAMPE DE LAVAGE- HALTER/NABE FÜR SPÜLLANZE SUPPORT/HUB FOR WASH-ARM - DISHWASHERS SOPORTE/CUBO LANZA LAVADO	
26	80314	GHIERA LANCIA LAVAGGIO DOUILLE SCHRAUBENMUTTER, SPÜLLANZE GRAU RING NUT CONTERA VIROLA	

Зип Общепит

vsezip.ru

+7(812)987-08-81



**5295.4050**

1

# Listino componenti per pagina 7

Зип Общепит

vsezip.ru

(2) 987-08-81

1	80115 <i>Recommended spare parts</i>	POMPA LAVAGGIO POMPE DE LAVAGE ELEKTROPUMPE 1,6KW 230-400V/50HZ (5295.5050) WASHPUMP bomba de lavado	
2	80123	VENTOLA EL.POMPA (5295.4050) VENTILATEUR POUR MOTO PUMPE GEBL., ELEKTROPUMPE (5295.4050) WASHPUMP FUN ROTOR PARA ELECTROBOMBA	
3	70950	FLANGIA EL.POMPA (5295.5050) BRIDE FLANSCH FLANGE BRIDA	
4	80121	TENUTA ROTANTE ELETTRPOMPA (5295.4050) ETANCHEITE MECHANIQUE POUR MOTO PUMPE DICHTUNG, ROTIER. - PUMPE(AB122414B/AC1326B) WASHPUMP SHAFT SEAL SELLO MECANICO PARA ELECTROBOMBA	
5	70949	GUARNIZIONE EL-POMPA (5295.5050) JOINT DICHTUNG GASKET JUNTA	
6	80119	GIRANTE ELETTRPOMPA IMPULSEUR MOTO PUMPE LAUFRAD ELEKTROPUMPE (5295.4050) ELECTROPUMP IMPELLER ROTOR PARA ELECTROBOMBA	
7	70947	CHIOCCIOLA ELETTRPOMPA (FIR 4265303) couvercle de la turbine PUMPENGEHAEUSE ELECTROPUMP HOUSING ESPIRAL PARA ELECTROBOMBA	

# RECOMMENDED SPARE PARTS

Зип Общепит

vsezip.ru

7 (812) 987-08-81

PAG 1	POS 5	COD 80871	MICRO MAGNETICO CONTACTE MAGNETIQUE TUERKONTAKTSCHALTER MAGNETIC DOOR SWITCH CONTACTO MAGNETICO
PAG 1	POS 11	COD 41583	GUARNIZIONE PORTA JOINT POUR PORTE TUERDICHTUNG DOOR GASKET JUNTA PUERTA
PAG 1	POS 14	COD 486078	VITE IN ACCIAIO INOSSIDABILE SPEC. 6MA VIS EN ACIER INOXYDABLE 6MAX30 T.1/2 TC SCHRAUBE TC-CE M6X40 INOX STAINLESS STEEL SCREW 6MAX30 T.1/2 TC TORNILLO TC-CE M6X40 INOX
PAG 2	POS 3	COD 228004	FUSIBILE FUSIBLE SICHERUNG, 5X20 4A FAST FUZE FISIBLE
PAG 2	POS 5	COD 929115	RELE 16A-230V RELAIS 16A 230V RELAIS 16A 230V 62.82 RELAY 16A 230V RELE 16A 230V
PAG 2	POS 9	COD 215027	SCHEMA ELETTRONICA CARTE ELECTRONIQUE PLATINE MAIN BOARD TARJETA electrónica
PAG 2	POS 12	COD 73350	CONTATTORE CONTACTEUR KONTAKT-GEBER 230-50/60HZ CONTACTOR CONTACTOR
PAG 2	POS 14	COD 80934	CAVO FLAT CABLE FLAT FLACHKABEL FLAT CABLE CABLE FLAT
PAG 2	POS 16	COD 417119	DADO ECROU SCHRAUBENMUTTER, M3 KUNST. WEISS NUT TUERCA
PAG 2	POS 17	COD 419036	DISTANZIALI SCHEMA ENTRETOISE X CARTE ELECTRONIQUE ABSTANDSSTÜCK, M3 INTERFACE BOARD DISTANCE KEEPERS DISTANCIADOR M3
PAG 2	POS 18	COD 227074	TASTIERA touche clavier commande TASTENFELD CONTROL KEYBOARD TECLADO DE COMANDOS
PAG 2	POS 19	COD 231016	SONDA TEMPERATURA SONDE TEMPERATURSONDE TEMPERATURE PROBE SONDA TEMPERATURA (AMPOLLA ACERO)
PAG 3	POS 3	COD CGR4131NT	O-RING O-RING O-RING 4131 SCHWARZE SCHRAUBE SH.70 O-RING O-RING
PAG 3	POS 5	COD 70562	RESISTENZA 3000W 230V MONOFASE RESISTANCE TANKHEIZUNG HEATING ELEMENT RESISTENCIA
PAG 3	POS 8	COD 136020	CORPO ASPIRAZIONE E SCARICO CORPS D'ASPIRATION/VIDANGE GEHAUSE, EINLASS/ABLASS 22/44 ASPIRATION AND DRAIN BODY CUERPO ASPIRACION/DESCARGA
PAG 3	POS 10	COD 926049	PRESSOSTATO TIPO 180-70 PRESSOSTAT DRUCKSCHALTER 761999 180-70 PRESSURE SWITCH PRESOSTATO

# RECOMMENDED SPARE PARTS

Зип Общепит

vsezip.ru

+7(812)987-08-81

PAG 3	POS 11	COD 143253	TUBO SILICONE TRASPARENTE 3X8 TUYAU SILIKONSCHLAUCH 3X8 PIPE MANGUITO	
PAG 3	POS 13	COD 417120	DADO ECROU KUNSTSTOFFMUTTER NUT TUERCA	
PAG 3	POS 14	COD 437098	GUARNIZIONE JOINT DICHTUNG FUER LUFTFALLE GASKET JUNTA	
PAG 3	POS 15	COD 70600	TRAPPOLA ARIA ESTERNA cloche de pression Glocke für druckschalter AIR TRAP for pressure switch CAMPANA PRESOSTATO	
PAG 3	POS 17	COD 143194	TUBO 4x6 CRISTAL TRASPARENTE TUYAU SCHLAUCH 4X6 CRISTAL, DURCHS. PIPE MANGUITO	
PAG 3	POS 18	COD 209021	DOSATORE DETERGENTE distributeur de détergent PERISTALTISCHES DOSIERGERÄT KLARSPÜLER detergent AID PUMP dispensador de detergente	Optional
PAG 3	POS 19	COD 143219	TUBO "SANTOPRENE" CON RACCORDO TUYAU "SANTOPRENE" MEMBRANSCHLAUCH SANTOPREN "SANTOPRENE" PIPE TUBITO SANTOPRENE	
PAG 4	POS 3	COD 80115	POMPA LAVAGGIO POMPE DE LAVAGE ELEKTROPUMPE 1,6KW 230-400V/50HZ (5295.5050) WASHPUMP bomba de lavado	
PAG 4	POS 10	COD 136020	CORPO ASPIRAZIONE E SCARICO CORPS D'ASPIRATION/VIDANGE GEHAUSE, EINLASS/ABLASS 22/44 ASPIRATION AND DRAIN BODY CUERPO ASPIRACION/DESCARGA	
PAG 5	POS 3	COD 143268	GIUNZIONE A "Y" DI RISCIAQUO JONCTION "Y" Y-STUECK JuNCTION "Y" UNION "Y"	
PAG 5	POS 6	COD 926189	TERMOSTATO 95°C THERMOSTAT DE SURETE' A CONTACT SICHERHEITSTHERMOSTAT 95°C CONTACT SAFETY-THERMOSTAT TERMOSTATO CALENTADOR SEG. 95°C	
PAG 5	POS 8	COD 231016	SONDA TEMPERATURA SONDE TEMPERATURSONDE TEMPERATURE PROBE SONDA TEMPERATURA (AMPOLLA ACERO)	
PAG 5	POS 9	COD 230083C	KIT RESISTENZA 6KW RESISTANCE 6KW KIT HEIZUNG REB230083 (6KW) HEATING ELEMENT 6KW RESISTENCIA 6KW	
PAG 5	POS 17	COD 240016	ELETTROVALVOLA ELECTROVANNE ZUFLUSSVENTIL 1-WEG 3/4 230V DROSS.16L SOLENOID VALVE ELECTROVALVULA	
PAG 6	POS 14	COD 140036	SPRUZZO RISCIAQUO GLICEUR DÛSE RINSE JET ROCIADOR ENJUAGUE	
PAG 7	POS 1	COD 80115	POMPA LAVAGGIO POMPE DE LAVAGE ELEKTROPUMPE 1,6KW 230-400V/50HZ (5295.5050) WASHPUMP bomba de lavado	