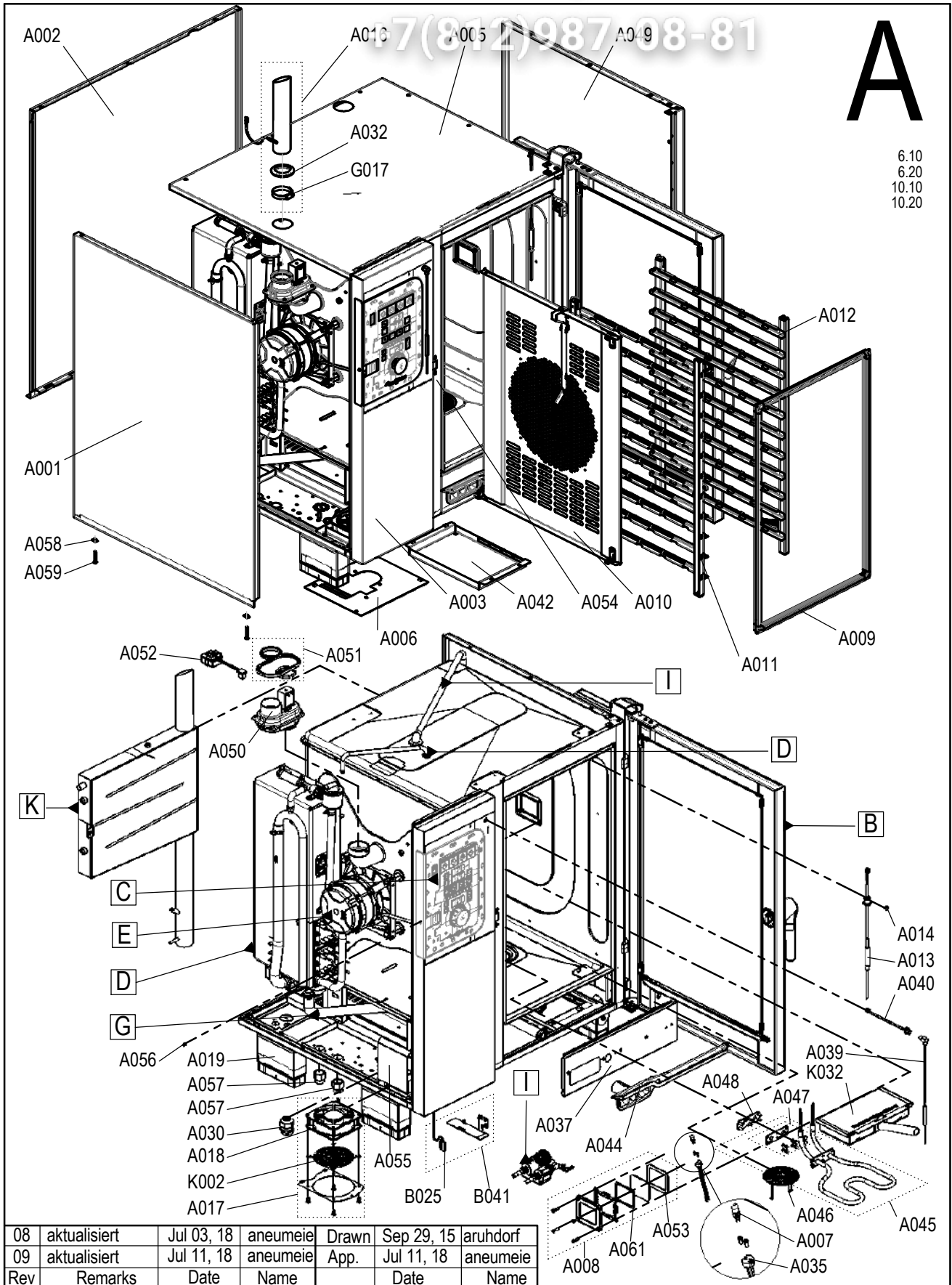




CONVOTHERM

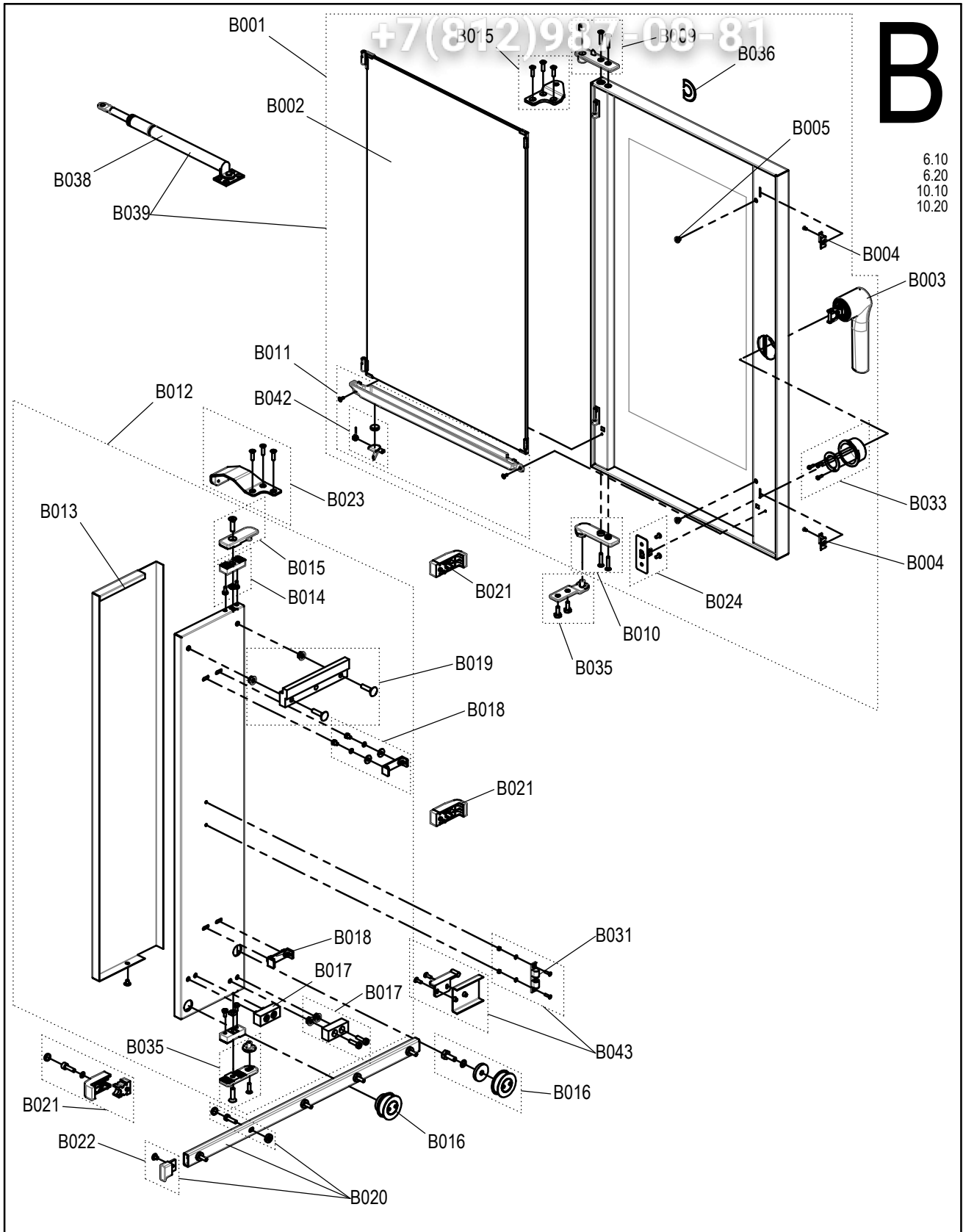
Зип Общепит
Ersatzteilzchnng. Außergehäuse Tischgeräte Convotherm4
Spare part drawing outer casing table units Convotherm4
vsezip.ru

ETZA - AG 1234 P4



Laufende Verbesserungen des Produkts können Änderungen der Spezifikationen ohne expliziten Hinweis bedingen. Continuous improvements to the product may mean changes to the specification are made without explicit mention.
9965018_09 Jul 11, 18 © 2018





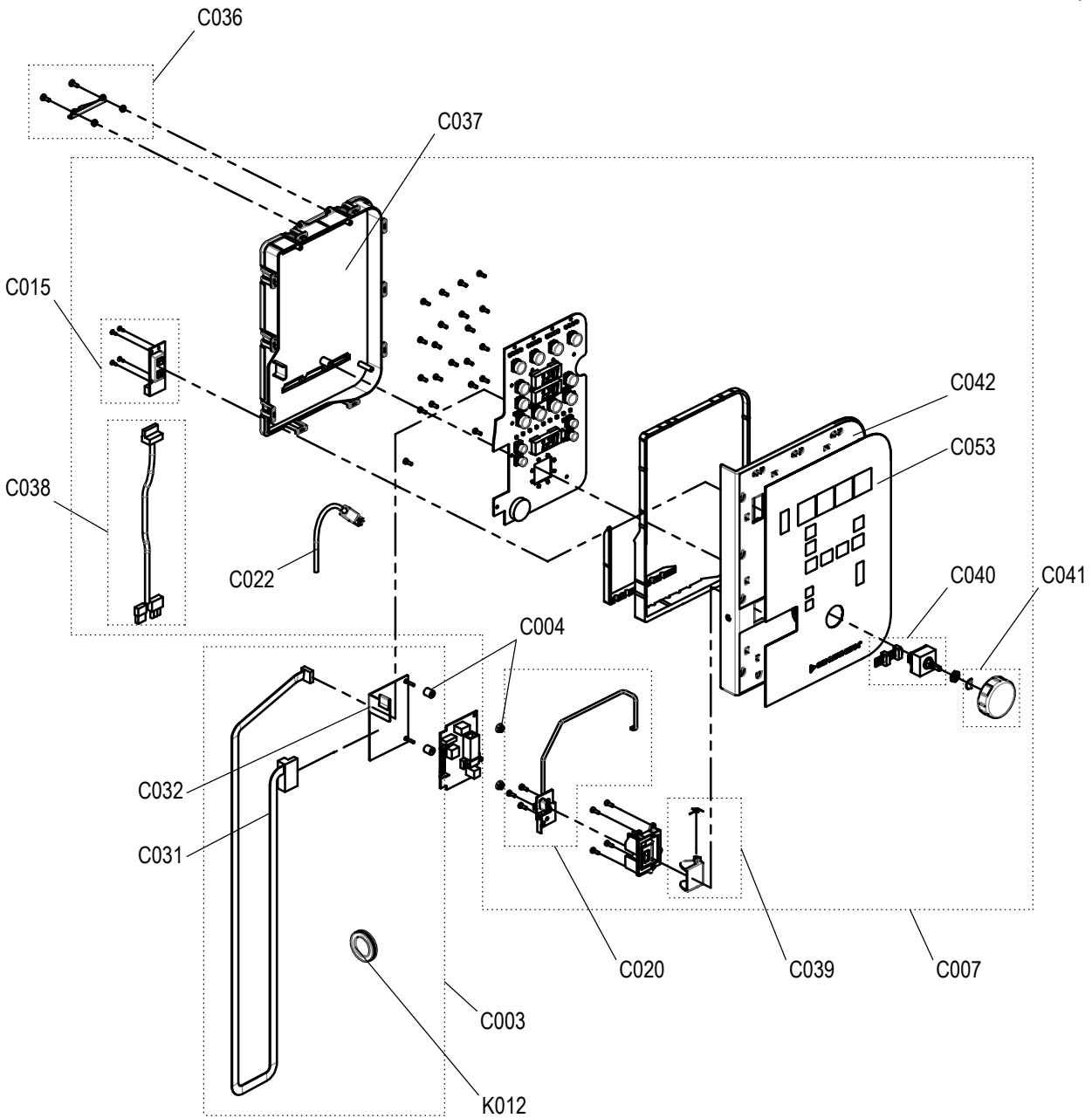
02	Z-Freigabe	Dec 30, 15	aberchte	Drawn	05.10.2015	aruhdorf
03	AM 2016/014	Mar 21, 16	aneumeie	App.	Mar 21, 16	aneumeie
Rev	Remarks	Date	Name		Date	Name

Laufende Verbesserungen des Produkts können Änderungen der Spezifikationen ohne expliziten Hinweis bedingen. Continuous improvements to the product may mean changes to the specification are made without explicit mention.
 9965019_03 Mar 21, 16 © 2018

+7(812)987-08-81

C

easyDial



02	AM 2017/075	Oct 18, 17	hshweig	Drawn	Aug 31, 15	aruhdorf
03	aktualisiert	Jan 07, 20	aneumeie	App.	Jan 07, 20	aneumeie
Rev	Remarks	Date	Name		Date	Name

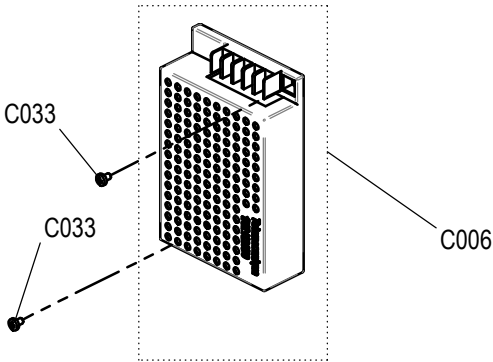
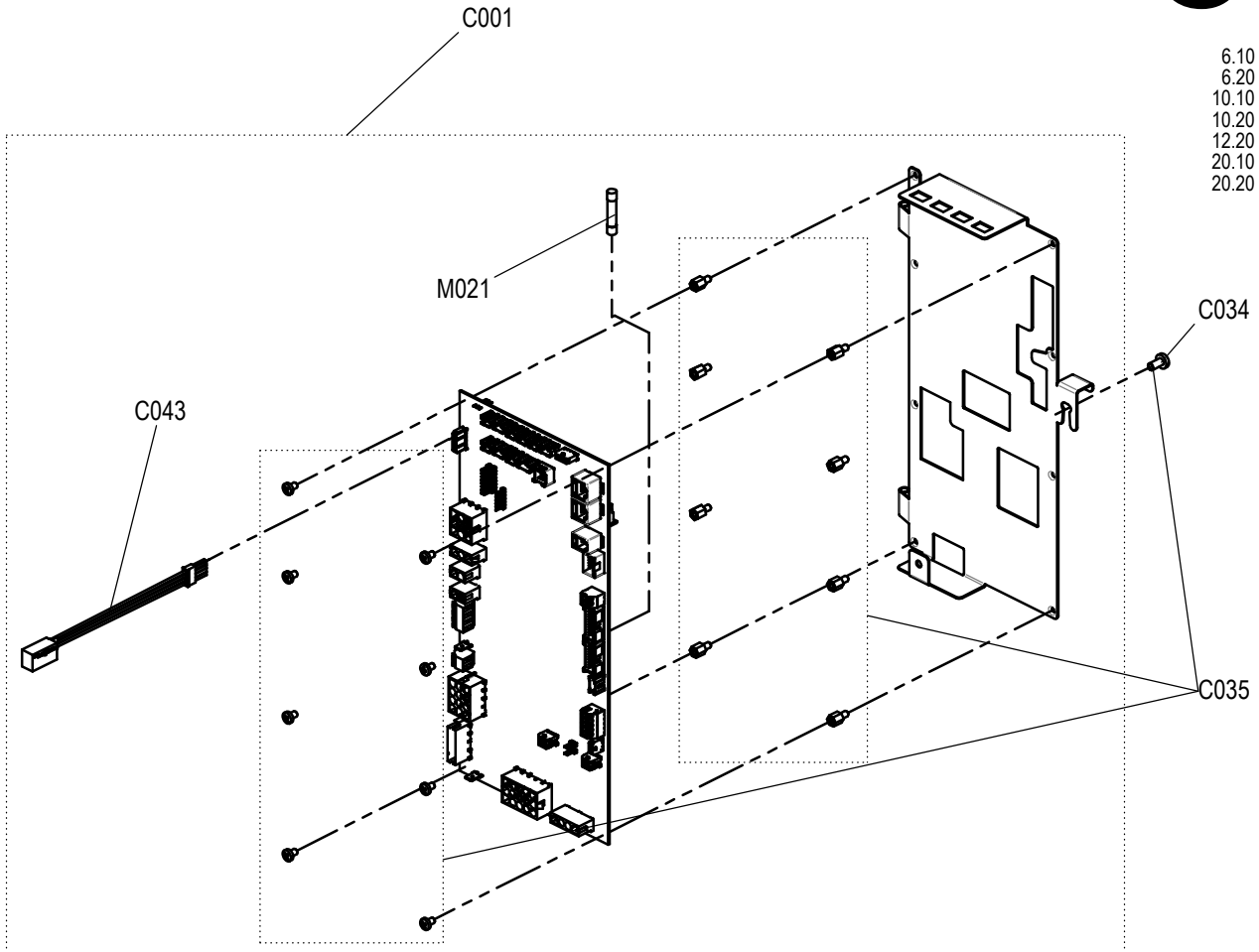
Laufende Verbesserungen des Produkts können Änderungen der Spezifikationen ohne expliziten Hinweis bedingen. Continuous improvements to the product may mean changes to the specification are made without explicit mention.
 9865010_03 Jan 07, 20 © 2019

+7(812)987-08-81

C

6.10
6.20
10.10
10.20
12.20
20.10
20.20

Laufende Verbesserungen des Produkts können Änderungen der Spezifikationen ohne expliziten Hinweis bedingen. Continuous improvements to the product may mean changes to the specification are made without explicit mention. 9965011_00 Nov 05, 15 © 2018

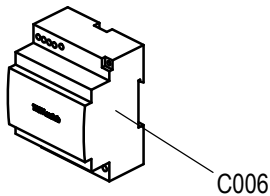
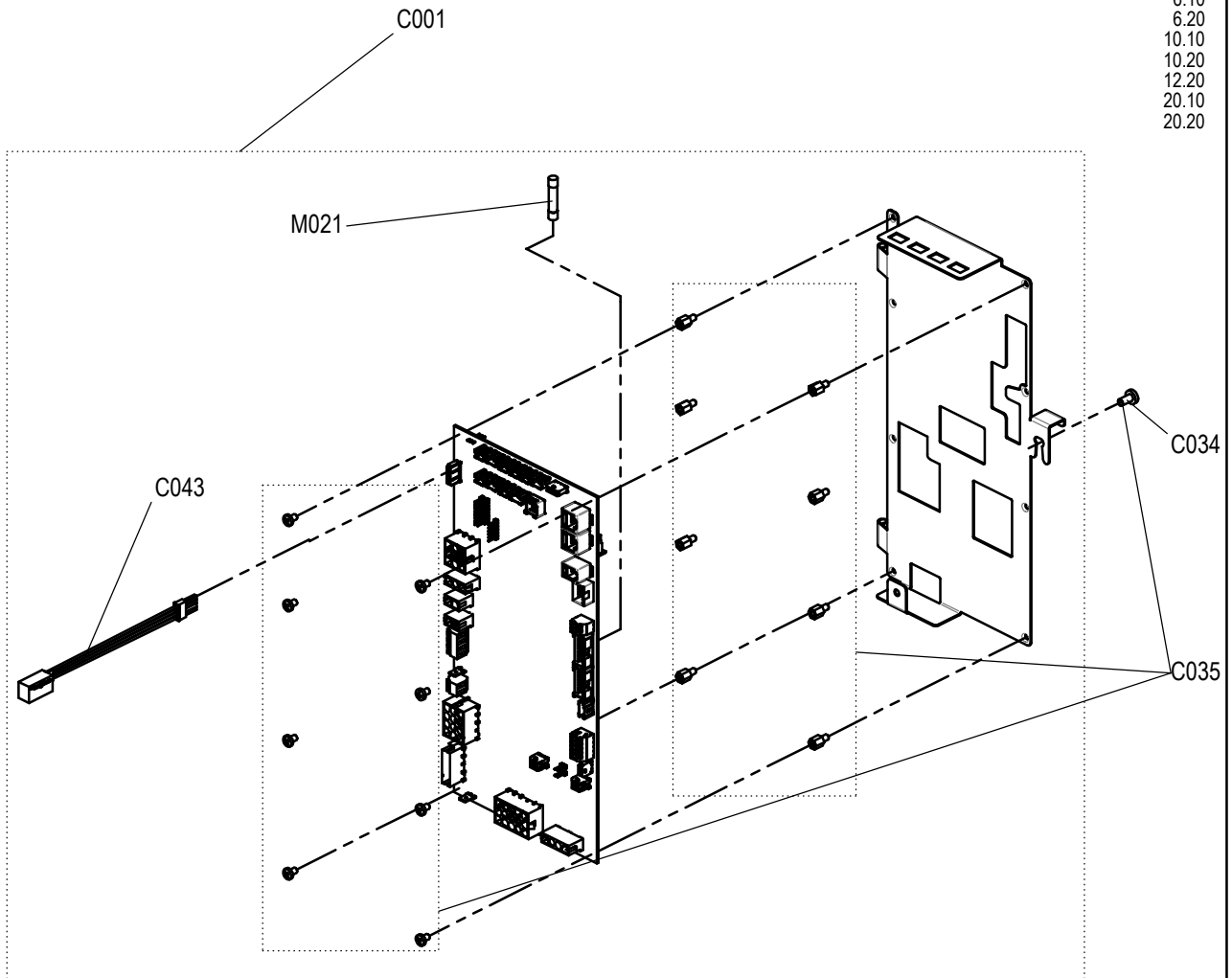


00	Z-Freigabe	Nov 05, 15	tfekete	Drawn	02.09.2015	aruhdorf
Rev	Remarks	Date	Name	App.	Nov 05, 15	tfekete

+7(812)987-08-81

C

6.10
6.20
10.10
10.20
12.20
20.10
20.20

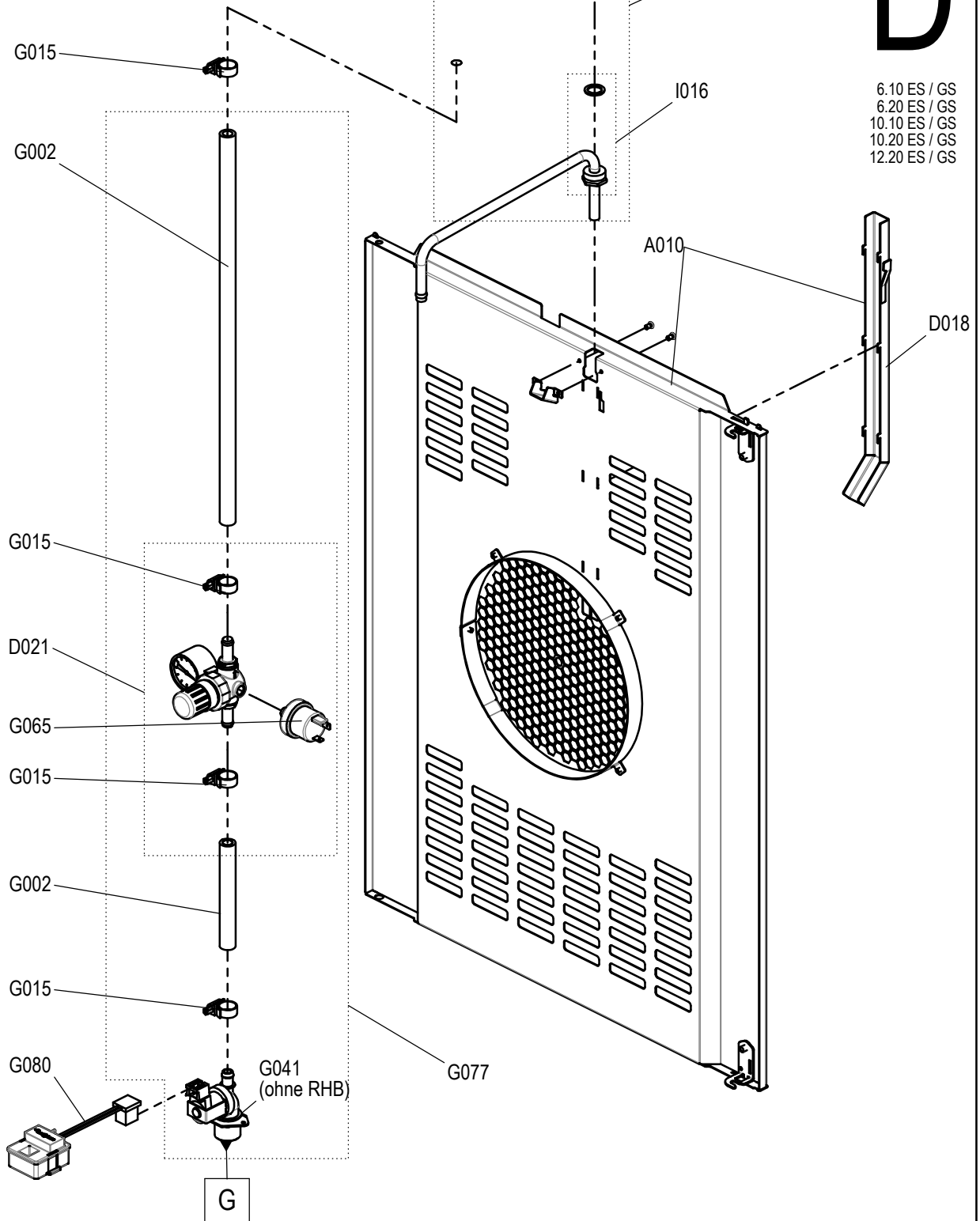


00	Z-Freigabe	Nov 05, 15	tfekete	Drawn	02.09.2015	aruhdorf
Rev	Remarks	Date	Name	App.	Nov 05, 15	tfekete

+7(812)987-08-81

D

6.10 ES / GS
6.20 ES / GS
10.10 ES / GS
10.20 ES / GS
12.20 ES / GS



02	Z-Freigabe	Dec 30, 15	aberchte	Drawn	05.10.2015	aruhdorf
03	aktualisiert	Dec 01, 16	aneumeie	App.	Dec 01, 16	aneumeie
Rev	Remarks	Date	Name		Date	Name

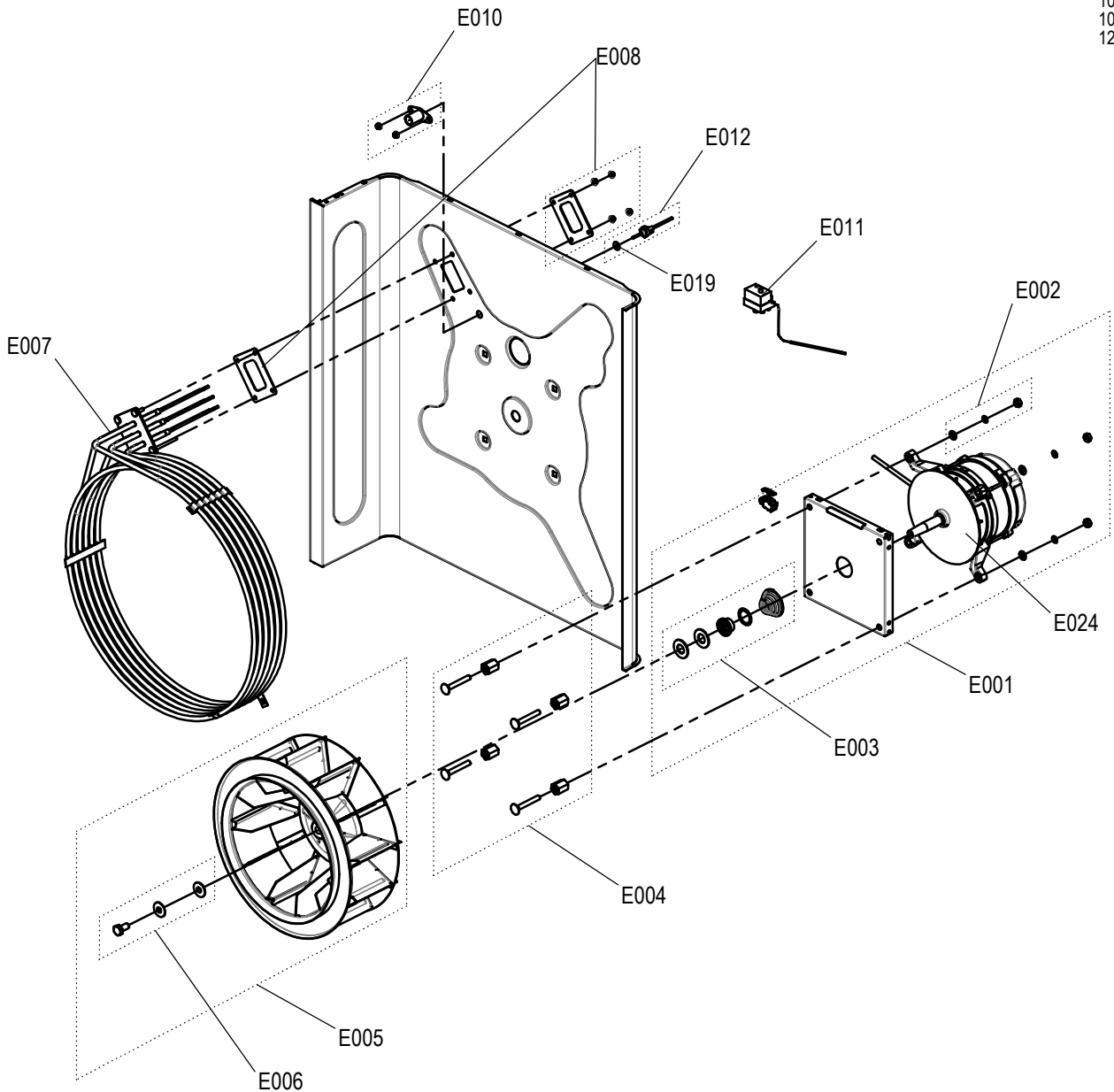
Laufende Verbesserungen des Produkts können Änderungen der Spezifikationen ohne expliziten Hinweis bedingen. Continuous improvements to the product may mean changes to the specification are made without explicit mention. 9965020_03 Dec 01, 16 © 2018

+7(812)987-08-81

E

6.10
 6.20
 10.10
 10.20
 12.20

Laufende Verbesserungen des Produkts können Änderungen der Spezifikationen ohne expliziten Hinweis bedingen. Continuous improvements to the product may mean changes to the specification are made without explicit mention.
 9965024_02 Jul 02, 18 © 2018



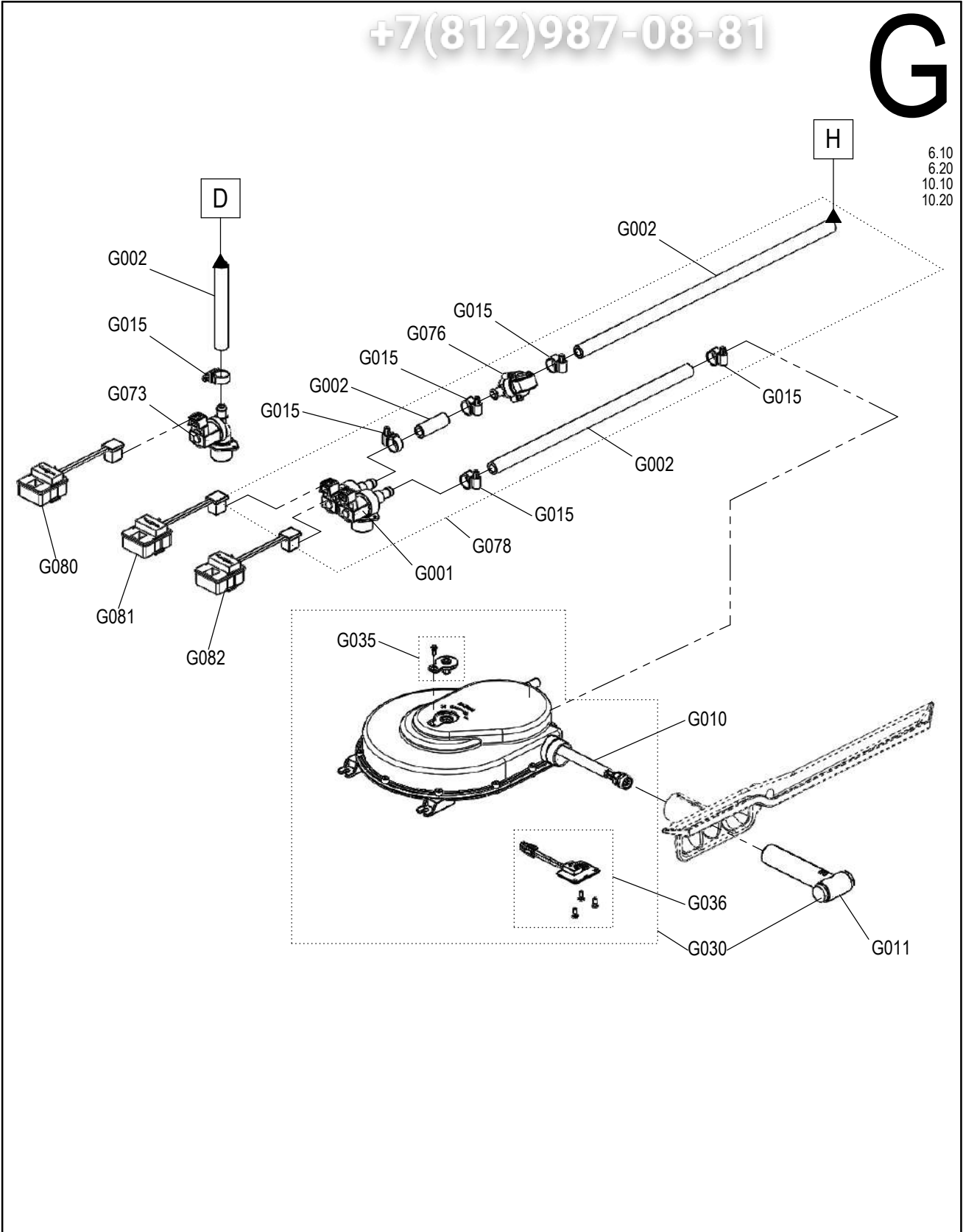
01	AM 2016/014	Jul 07, 16	aneumeie	Drawn	09.10.2015	aruhdorf
02	aktualisiert	Jul 02, 18	aneumeie	App.	Jul 02, 18	aneumeie
Rev	Remarks	Date	Name		Date	Name

+7(812)987-08-81

G

6.10
 6.20
 10.10
 10.20

Laufende Verbesserungen des Produkts können Änderungen der Spezifikationen ohne expliziten Hinweis bedingen. Continuous improvements to the product may mean changes to the specification are made without explicit mention. 9965021_03 Jul 03, 18 © 2018



02	AM 2016/014	Jul 07, 16	aneumeie	Drawn	05.10.2015	aruhdorf
03	aktualisiert	Jul 03, 18	aneumeie	App.	Jul 03, 18	aneumeie
Rev	Remarks	Date	Name		Date	Name



CONVOTHERM

Einzelteilzchg. Abwasserentsorg. Tischgeräte Convotherm4
Spare part drawing sewage disposal table units Convotherm4

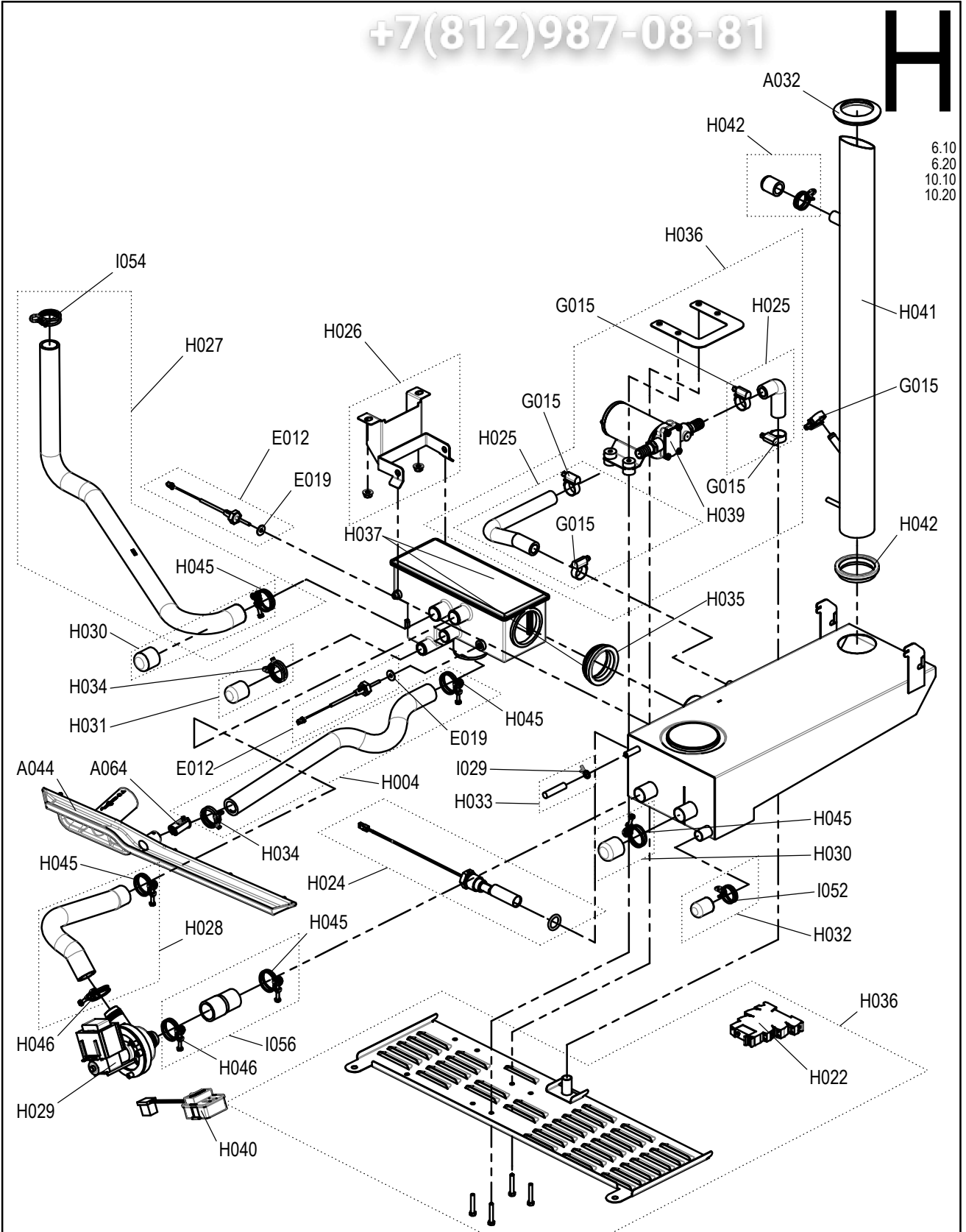
Зип Общепит
vsezip.ru

ETZ H - Abwasser 1234 P4

+7(812)987-08-81

H

6.10
6.20
10.10
10.20



Laufende Verbesserungen des Produkts können Änderungen der Spezifikationen ohne expliziten Hinweis bedingen. Continuous improvements to the product may mean changes to the specification are made without explicit mention.
9665022_04 Jan 30, 19 © 2018

03	aktualisiert	Jul 03, 18	aneumeie	Drawn	05.10.2015	aruhdorf
04	aktualisiert	Jan 30, 19	aneumeie	App.	Jan 30, 19	aneumeie
Rev	Remarks	Date	Name		Date	Name

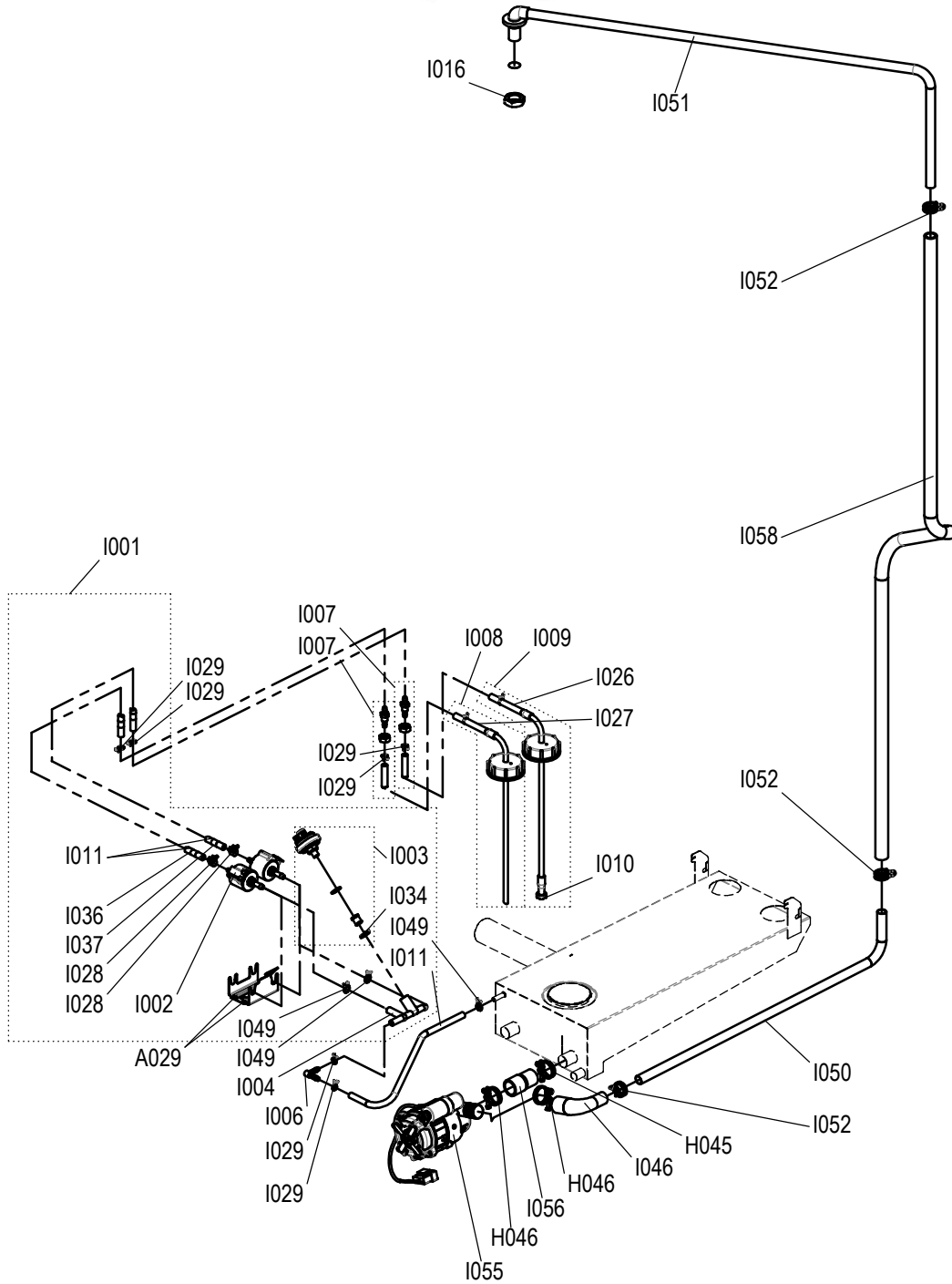
Convotherm Elektrogeräte GmbH
Welbilt
Talstrasse 35, 82436 Egfling, Germany

Tel.: +49 (0) 8847 67-0
Fax: +49 (0) 8847 414

www.convotherm.com
www.welbilt.com



+7(812)987-08-81



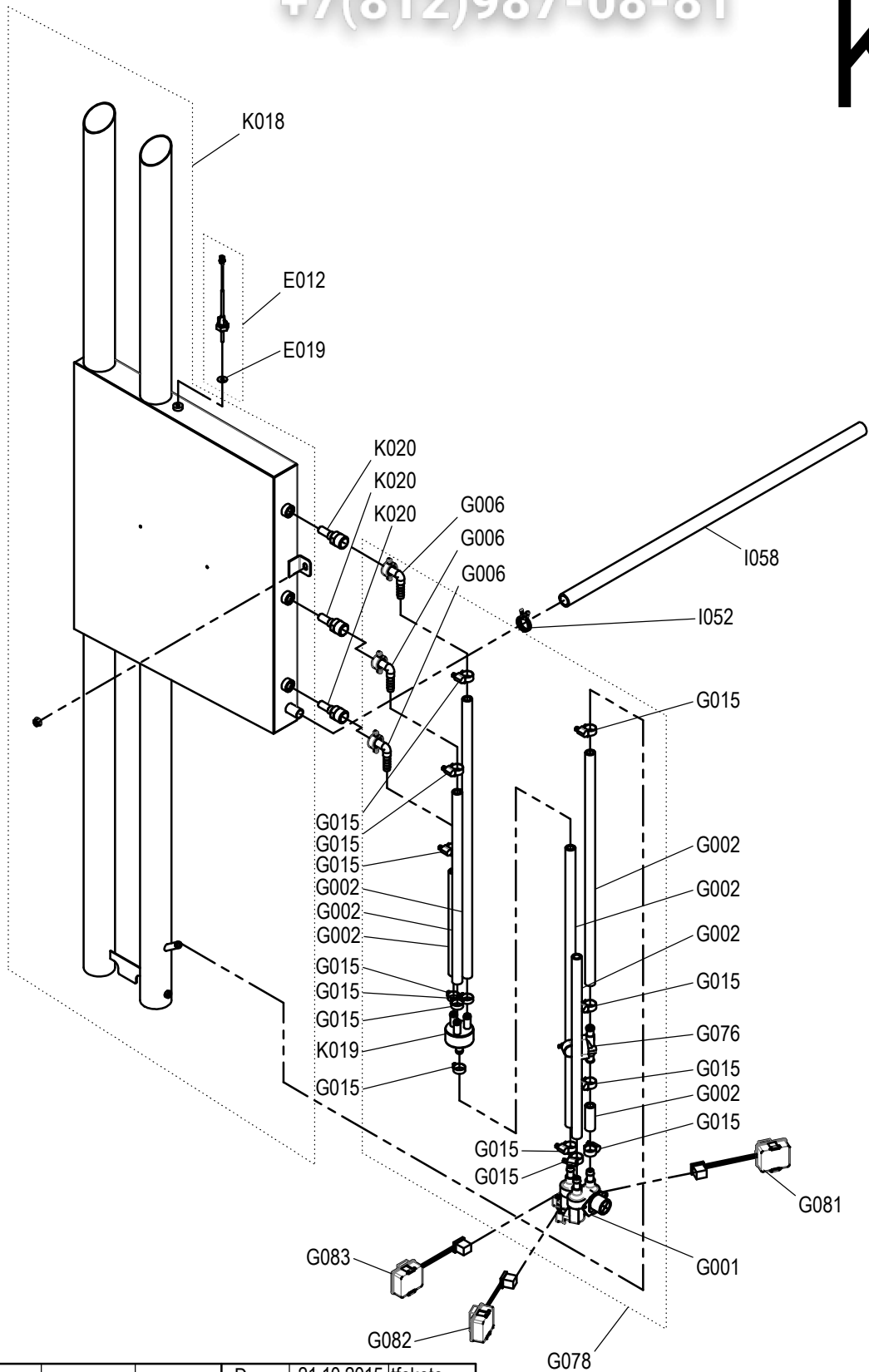
Laufende Verbesserungen des Produkts können Änderungen der Spezifikationen ohne expliziten Hinweis bedingen. Continuous improvements to the product may mean changes to the specification are made without explicit mention.
 9965004_03 Jul 27, 15.Jul 18, 17 © 2018

02	AM 2016/014	Jul 07, 16	aneumeie	Drawn	Aug 04, 15	aruhdorf
03	AM 2017/050	Jul 18, 17	aneumeie	App.	Jul 18, 17	aneumeie
Rev	Remarks	Date	Name		Date	Name

+7(812)987-08-81

K

6.10
 6.20
 10.10
 10.20
 12.20
 20.10
 20.20



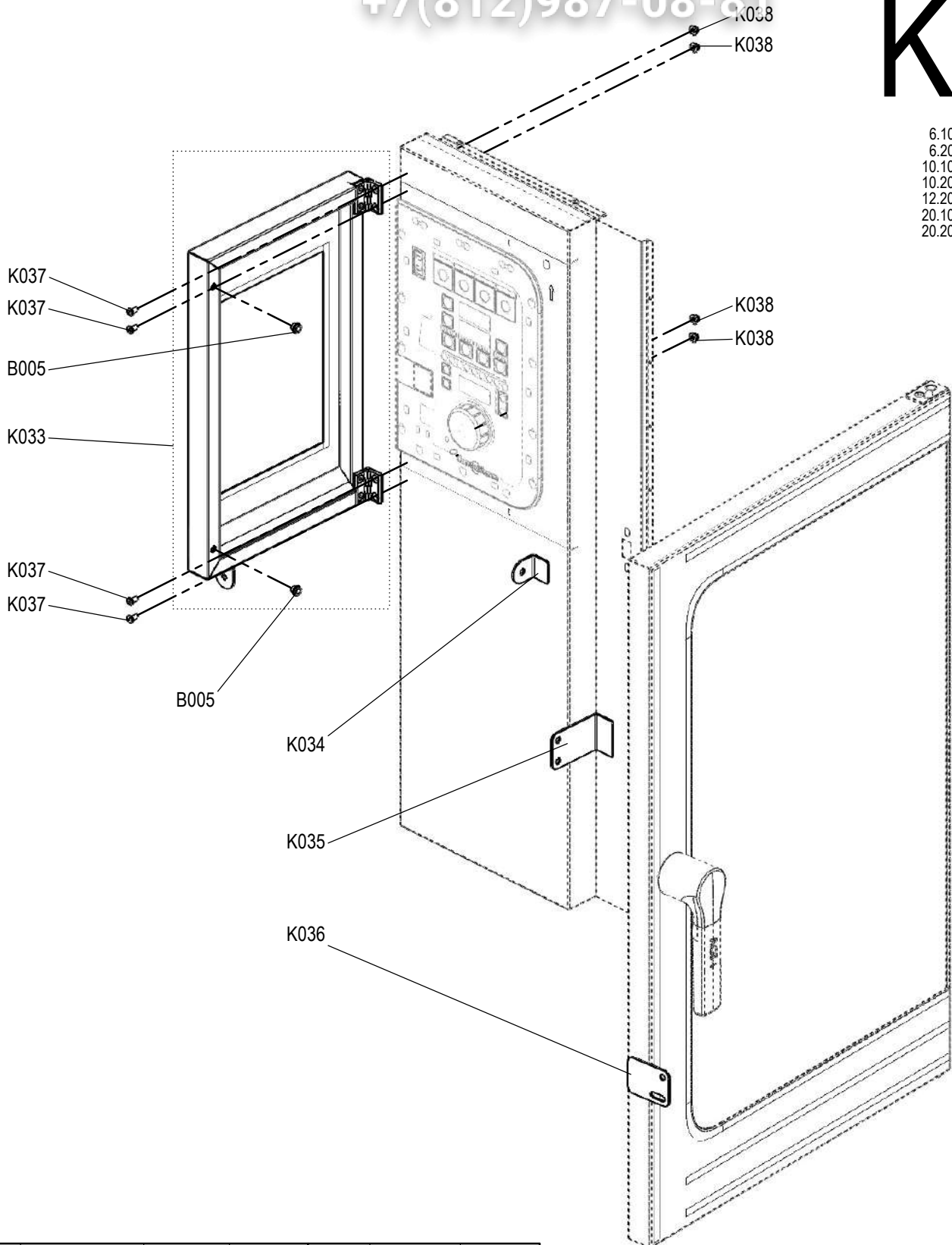
				Drawn	21.10.2015	tfekete
00	Z-Freigabe	Nov 09, 15	aruhdorf	App.	Nov 09, 15	aruhdorf
Rev	Remarks	Date	Name		Date	Name

Laufende Verbesserungen des Produkts können Änderungen der Spezifikationen ohne expliziten Hinweis bedingen. Continuous improvements to the product may mean changes to the specification are made without explicit mention.
 9965029_00 Nov 09, 15 © 2018

+7(812)987-08-81

K

6.10
 6.20
 10.10
 10.20
 12.20
 20.10
 20.20



Laufende Verbesserungen des Produkts können Änderungen der Spezifikationen ohne expliziten Hinweis bedingen. Continuous improvements to the product may mean changes to the specification are made without explicit mention.
 9965027_00 Nov 11, 15 © 2018

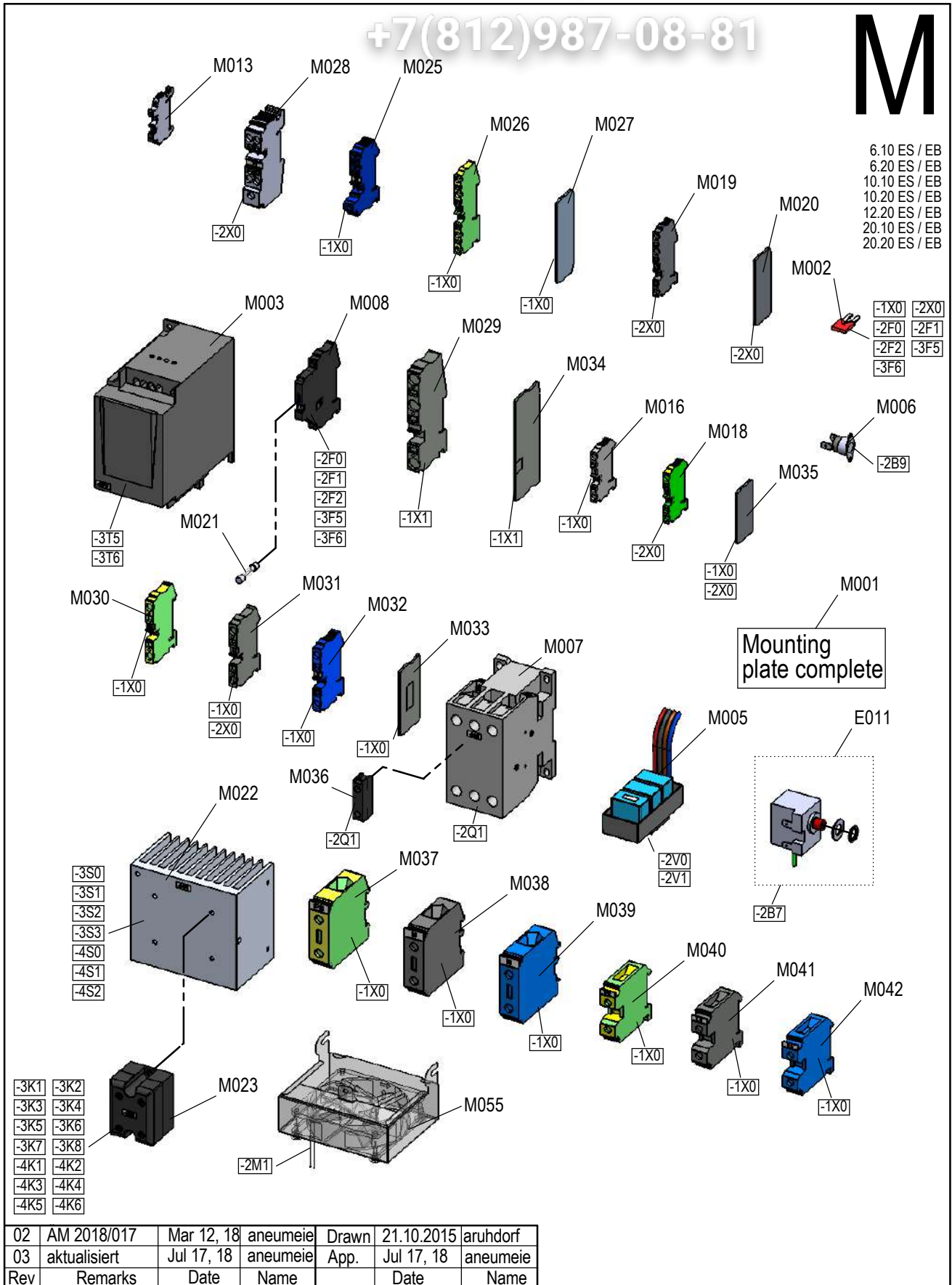
00	Z-Freigabe	Nov 11, 15	tfekete	Drawn	Nov 10, 15	aruhdorf
Rev	Remarks	Date	Name	App.	Nov 11, 15	tfekete

+7(812)987-08-81

M

6.10 ES / EB
 6.20 ES / EB
 10.10 ES / EB
 10.20 ES / EB
 12.20 ES / EB
 20.10 ES / EB
 20.20 ES / EB

Laufende Verbesserungen des Produkts können Änderungen der Spezifikationen ohne expliziten Hinweis bedingen. Continuous improvements to the product may mean changes to the specification are made without explicit mention.

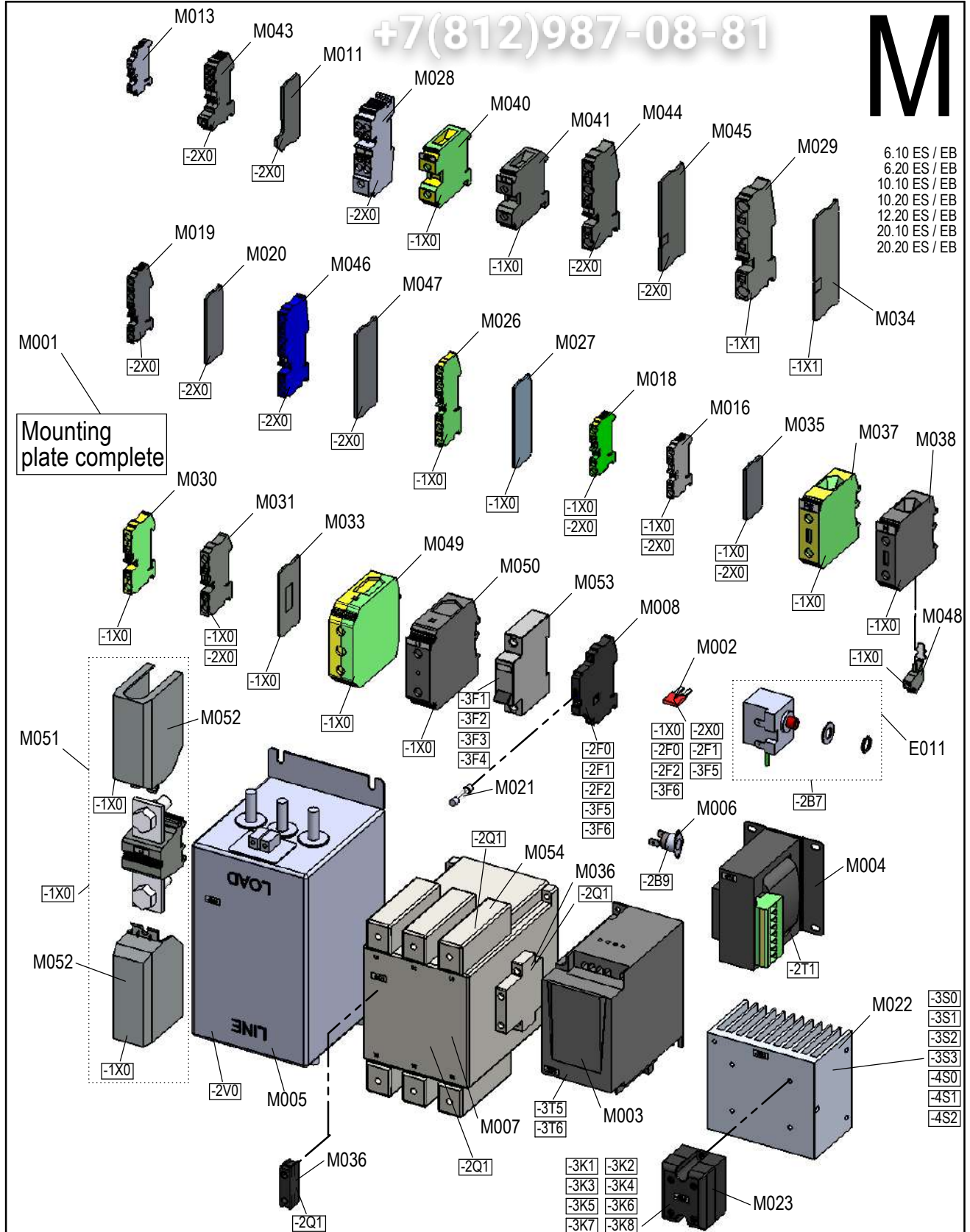


02	AM 2018/017	Mar 12, 18	aneumeie	Drawn	21.10.2015	aruhdorf
03	aktualisiert	Jul 17, 18	aneumeie	App.	Jul 17, 18	aneumeie
Rev	Remarks	Date	Name		Date	Name

+7(812)987-08-81

M

- 6.10 ES / EB
- 6.20 ES / EB
- 10.10 ES / EB
- 10.20 ES / EB
- 12.20 ES / EB
- 20.10 ES / EB
- 20.20 ES / EB



Rev	Remarks	Date	Name	Drawn	Date	Name
02	AM 2016/014	Jul 07, 16	aneumeie	Drawn	26.10.2015	aruhdorf
03	aktualisiert	Jul 17, 18	aneumeie	App.	Jul 17, 18	aneumeie

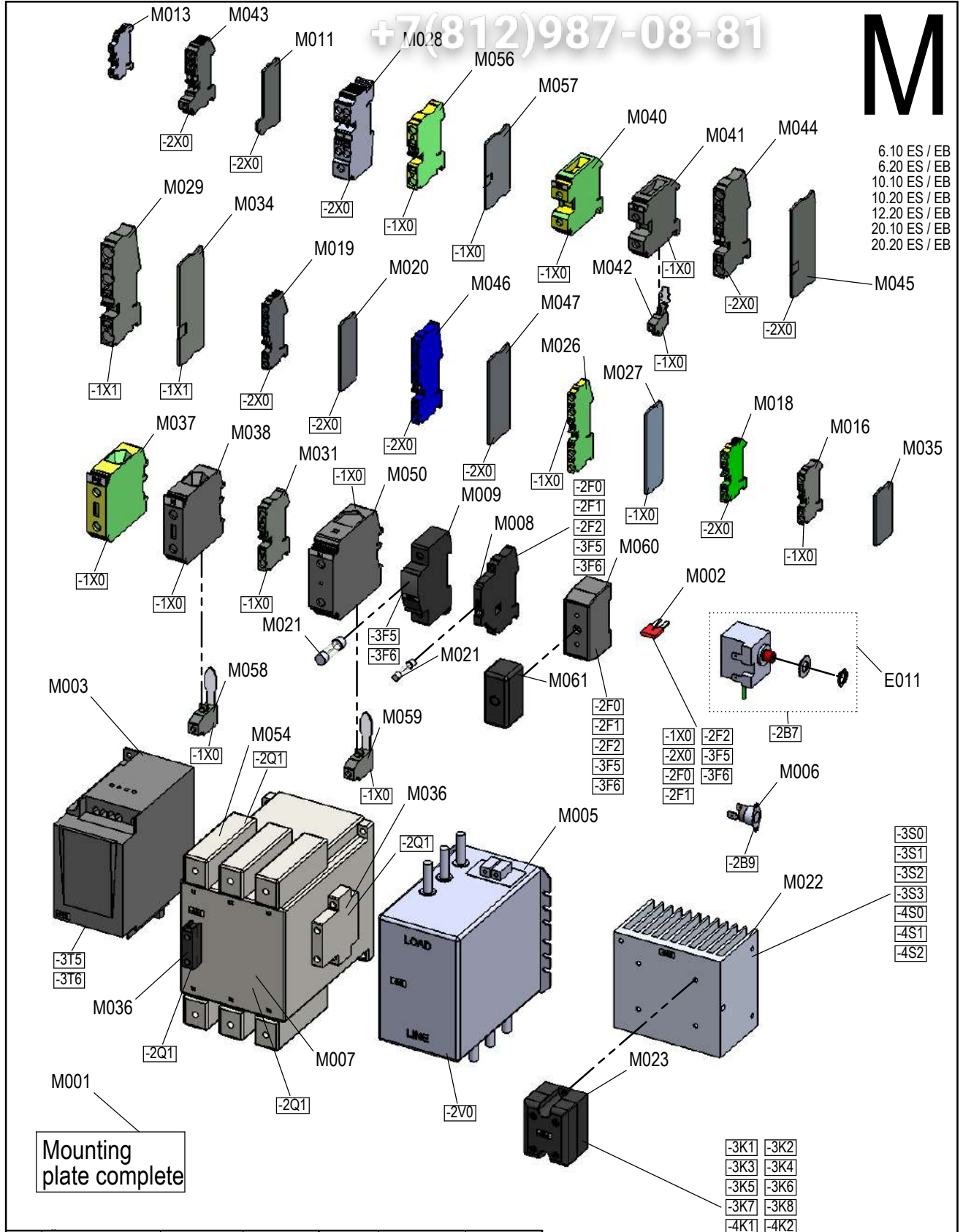
Laufende Verbesserungen des Produkts können Änderungen der Spezifikationen ohne expliziten Hinweis bedingen. Continuous improvements to the product may mean changes to the specification are made without explicit mention.
9965017_03 © 2015 Manitowoc.

+7(812)987-08-81

M

- 6.10 ES / EB
- 6.20 ES / EB
- 10.10 ES / EB
- 10.20 ES / EB
- 12.20 ES / EB
- 20.10 ES / EB
- 20.20 ES / EB

Laufende Verbesserungen des Produkts können Änderungen der Spezifikationen ohne expliziten Hinweis bedingen. Continuous improvements to the product may mean changes to the specification are made without explicit mention. 9965026_02 © 2015 Manitowoc.



01	AM 2016/005	Jan 27, 16	aneumeie	Drawn	28.10.2015	aruhdorf
02	aktualisiert	Jul 17, 18	aneumeie	App.	Jul 17, 18	aneumeie
Rev	Remarks	Date	Name		Date	Name

- 3K1 -3K2
- 3K3 -3K4
- 3K5 -3K6
- 3K7 -3K8
- 4K1 -4K2
- 4K3 -4K4
- 4K5 -4K6



CONVOTHERM

Ersatzteilzeichnung Stapelkit Mitteladapter EL Convotherm4
Spare part drawing staking kit middle adapter EL Convotherm4

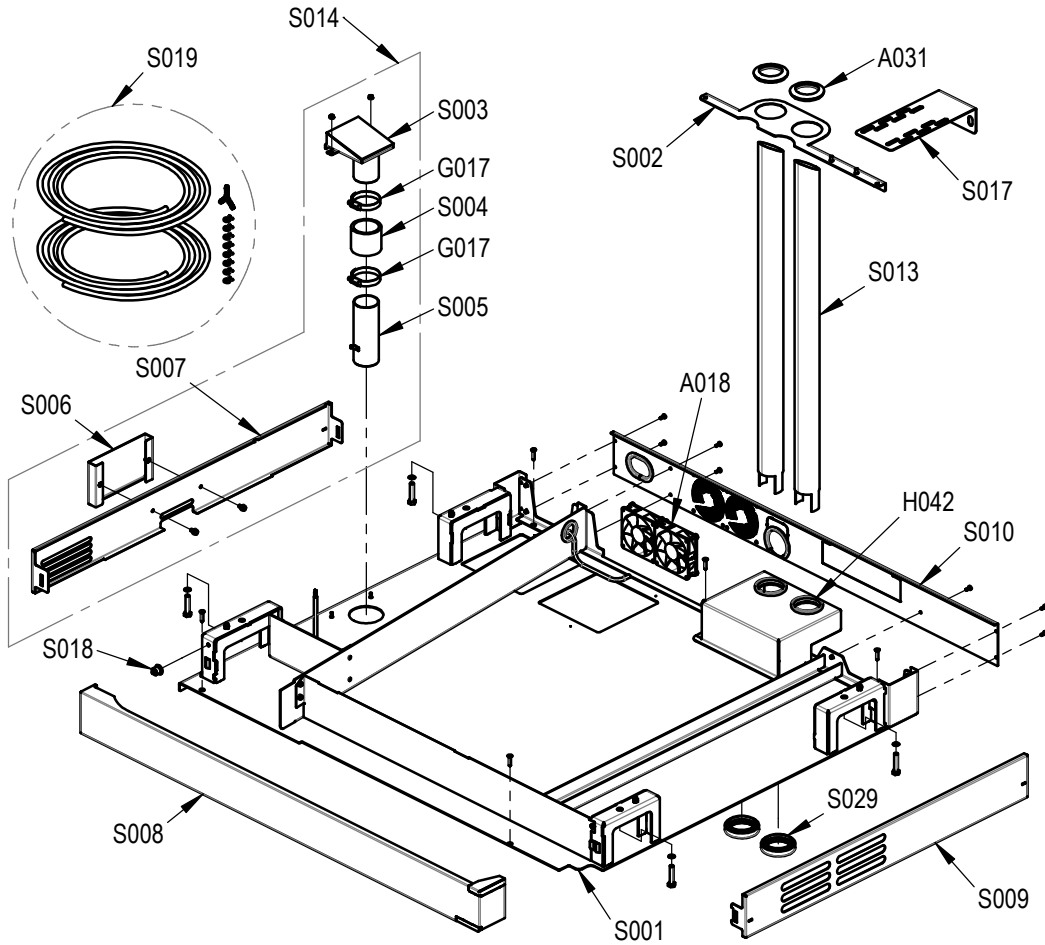
Зип Общепит
vsezip.ru

ETZ - STK Mitteladapter EL P4

+7(812)987-08-81

S

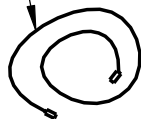
STK 6.10 EL
STK 6.20 EL
STK 10.10 EL
STK 10.20 EL



S011
Schraubenset STK kpl
Screw kit STK cpl



S030
Kabelbaum
Wiring loom



02	aktualisiert	Jun 26, 18	aneumeie	Drawn	Nov 11, 16	kstroh
03	aktualisiert	Jul 31, 18	aneumeie	App.	Jul 31, 18	aneumeie
Rev	Remarks	Date	Name		Date	Name

Laufende Verbesserungen des Produkts können Änderungen der Spezifikationen ohne expliziten Hinweis bedingen. Continuous improvements to the product may mean changes to the specification are made without explicit mention.
9965030_03 Jul 31, 18 © 2018



CONVOTHERM

Зип Общепит

Ersatzteilzeichnung Stapelkit Unterbau EL GAS Convotherm4
 Spare part drawing staking kit frame EL GAS Convotherm4

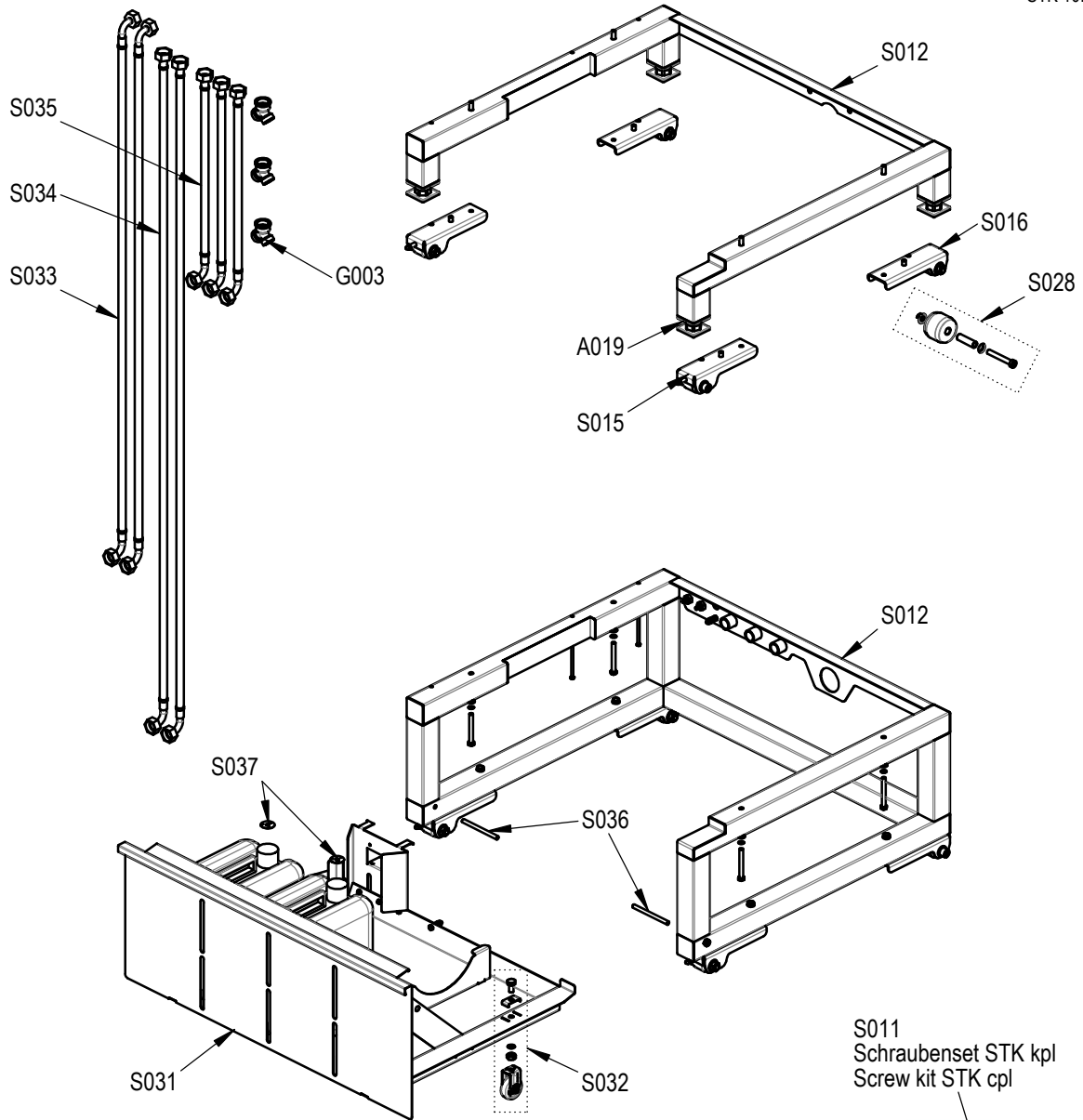
vsezip.ru

ETZ - STK Unterbau EL GAS P4

+7(812)987-08-81

S

STK 6.10
STK 6.20
STK 10.10
STK 10.20



S011
Schraubenset STK kpl
Screw kit STK cpl



				Drawn	24.07.2018	aneumeie
00	Z-Freigabe	Jul 31, 18	hschweig	App.	Jul 31, 18	hschweig
Rev	Remarks	Date	Name	Date	Date	Name

Laufende Verbesserungen des Produkts können Änderungen der Spezifikationen ohne expliziten Hinweis bedingen. Continuous improvements to the product may mean changes to the specification are made without explicit mention.
9965032_00 Jul 31, 18 © 2018



#	ET-Nr. Part No	Description	Безопасит	Elektro	Gas	6.10	6.20	10.10	10.20	12.20	20.10	20.20	BMK / ID
A001	2164261	Left cover 6.10 Con4	Abdeckung links 6.10 Con4	x	x	1							→ 08.2017
A001	2665671	Left cover 6.10 V2 Con4	Abdeckung links 6.10 V2 Con4	x	x	1							09.2017 →
A001	2164262	Left cover 6.20 Con4	Abdeckung links 6.20 Con4	x	x		1						→ 08.2017
A001	2665672	Left cover 6.20 V2 Con4	Abdeckung links 6.20 V2 Con4	x	x		1						09.2017 →
A001	2164263	Left cover 10.10 Con4	Abdeckung links 10.10 Con4	x	x			1					→ 08.2017
A001	2665673	Left cover 10.10 V2 Con4	Abdeckung links 10.10 V2 Con4	x	x			1					09.2017 →
A001	2164264	Left cover 10.20 Con4	Abdeckung links 10.20 Con4	x	x				1				→ 08.2017
A001	2665674	Left cover 10.20 V2 Con4	Abdeckung links 10.20 V2 Con4	x	x				1				09.2017 →
A001	2164265	Left cover 12.20 Con4	Abdeckung links 12.20 Con4	x	x					1			→ 08.2017
A001	2665675	Left cover 12.20 V2 Con4	Abdeckung links 12.20 V2 Con4	x	x					1			09.2017 →
A001	2164266	Left cover 20.10 Con4	Abdeckung links 20.10 Con4	x	x						1		→ 08.2017
A001	2665676	Left cover 20.10 V2 Con4	Abdeckung links 20.10 V2 Con4	x	x						1		09.2017 →
A001	2164267	Left cover 20.20 Con4	Abdeckung links 20.20 Con4	x	x							1	→ 08.2017
A001	2665677	Left cover 20.20 V2 Con4	Abdeckung links 20.20 V2 Con4	x	x							1	09.2017 →
A002	2161809NP	Rear panel 6.10 Con4	Rückwand 6.10 Con4	x	x	1							
A002	2161807NP	Rear panel 6.20 Con4	Rückwand 6.20 Con4	x	x		1						
A002	2161908NP	Rear panel 10.10 Con4	Rückwand 10.10 Con4	x	x			1					
A002	2161904NP	Rear panel 10.20 Con4	Rückwand 10.20 Con4	x	x				1				
A002	2161903NP	Rear panel 12.20 Con4	Rückwand 12.20 Con4	x	x					1			
A002	2161865NP	Rear panel 20.10 Con4	Rückwand 20.10 Con4	x	x						1		
A002	2161864NP	Rear panel 20.20 Con4	Rückwand 20.20 Con4	x	x							1	
A003	2151066NP	Frontpart 6.10 Con4	Frontteil 6.10 Con4	x	x	1							
A003	2151219NP	Frontpart 6.20 Con4	Frontteil 6.20 Con4	x	x		1						
A003	2151192NP	Frontpart 10.10 Con4	Frontteil 10.10 Con4	x	x			1					
A003	2151108NP	Frontpart 10.20 Con4	Frontteil 10.20 Con4	x	x				1				
A003	2151270NP	Frontpart 12.20 Con4	Frontteil 12.20 Con4	x	x					1			
A003	2151246NP	Frontpart 20.10 Con4	Frontteil 20.10 Con4	x	x						1		
A003	2151154NP	Frontpart 20.20 Con4	Frontteil 20.20 Con4	x	x							1	
A003	2163008NP	Frontpart 6.10 Sous Vide Con4	Frontteil 6.10 Sous Vide Con4	x	x	1							
A003	2163006NP	Frontpart 6.20 Sous Vide Con4	Frontteil 6.20 Sous Vide Con4	x	x		1						
A003	2163010NP	Frontpart 10.10 Sous Vide Con4	Frontteil 10.10 Sous Vide Con4	x	x			1					
A003	2163011NP	Frontpart 10.20 Sous Vide Con4	Frontteil 10.20 Sous Vide Con4	x	x				1				
A003	2163012NP	Frontpart 12.20 Sous Vide Con4	Frontteil 12.20 Sous Vide Con4	x	x					1			
A003	2163013NP	Frontpart 20.10 Sous Vide Con4	Frontteil 20.10 Sous Vide Con4	x	x						1		
A003	2163014NP	Frontpart 20.20 Sous Vide Con4	Frontteil 20.20 Sous Vide Con4	x	x							1	
A005	2161833NP	Top cover electric 6.10 / 10.10 right hinged Con4	Decke Elektro 6.10 / 10.10 Rechtsanschlag Con4	x		1		1					
A005	2161834NP	Top cover electric 6.20 / 10.20 right hinged Con4	Decke Elektro 6.20 / 10.20 Rechtsanschlag Con4	x			1		1				
A005	2161836NP	Top cover electric 20.10 right hinged Con4	Decke Elektro 20.10 Rechtsanschlag Con4	x							1		
A005	2161835NP	Top cover electric 12.20 / 20.20 right hinged Con4	Decke Elektro 12.20 / 20.20 Rechtsanschlag Con4	x						1			1
A005	2161863NP	Top cover electric 6.10 / 10.10 disappearing door Con4	Decke Elektro 6.10 / 10.10 Verschwindetüre Con4	x		1		1					
A005	2161866NP	Top cover electric 6.20 / 10.20 disappearing door Con4	Decke Elektro 6.20 / 10.20 Verschwindetüre Con4	x			1		1				
A005	2161868NP	Top cover electric 20.10 disappearing door Con4	Decke Elektro 20.10 Verschwindetüre Con4	x							1		
A005	2161867NP	Top cover electric 12.20 / 20.20 disappearing door Con4	Decke Elektro 12.20 / 20.20 Verschwindetüre Con4	x						1			1
A005	2161842NP	Top cover gas sprayer 6.10 / 10.10 right hinged Con4	Decke Gas Spritzer 6.10 / 10.10 Rechtsanschlag Con4	x		1		1					
A005	2161879NP	Top cover gas sprayer 6.20 / 10.20 right hinged Con4	Decke Gas Spritzer 6.20 / 10.20 Rechtsanschlag Con4	x			1		1				
A005	2161880NP	Top cover gas sprayer 12.20 right hinged Con4	Decke Gas Spritzer 12.20 Rechtsanschlag Con4	x						1			
A005	2161881NP	Top cover gas sprayer 20.10 right hinged Con4	Decke Gas Spritzer 20.10 Rechtsanschlag Con4	x							1		
A005	2161882NP	Top cover gas sprayer 20.20 right hinged Con4	Decke Gas Spritzer 20.20 Rechtsanschlag Con4	x								1	
A005	2161874NP	Top cover gas sprayer 6.10 / 10.10 disapp. door Con4	Decke Gas Spritzer 6.10 / 10.10 Verschwindetüre Con4	x		1		1					
A005	2161875NP	Top cover gas sprayer 6.20 / 10.20 disapp. door Con4	Decke Gas Spritzer 6.20 / 10.20 Verschwindetüre Con4	x			1		1				
A005	2161876NP	Top cover gas sprayer 12.20 disappearing door Con4	Decke Gas Spritzer 12.20 Verschwindetüre Con4	x						1			
A005	2161877NP	Top cover gas sprayer 20.10 disappearing door Con4	Decke Gas Spritzer 20.10 Verschwindetüre Con4	x							1		
A005	2161878NP	Top cover gas sprayer 20.20 disappearing door Con4	Decke Gas Spritzer 20.20 Verschwindetüre Con4	x								1	
A005	2161837NP	Top cover gas boiler 6.10 / 10.10 right hinged Con4	Decke Gas Boiler 6.10 / 10.10 Rechtsanschlag Con4	x		1		1					
A005	2161838NP	Top cover gas boiler 6.20 / 10.20 right hinged Con4	Decke Gas Boiler 6.20 / 10.20 Rechtsanschlag Con4	x			1		1				
A005	2161839NP	Top cover gas boiler 12.20 right hinged Con4	Decke Gas Boiler 12.20 Rechtsanschlag Con4	x						1			
A005	2161840NP	Top cover gas boiler 20.10 right hinged Con4	Decke Gas Boiler 20.10 Rechtsanschlag Con4	x							1		
A005	2161841NP	Top cover gas boiler 20.20 right hinged Con4	Decke Gas Boiler 20.20 Rechtsanschlag Con4	x								1	
A005	2161869NP	Top cover gas boiler 6.10 / 10.10 disapp. door Con4	Decke Gas Boiler 6.10 / 10.10 Verschwindetüre Con4	x		1		1					
A005	2161870NP	Top cover gas boiler 6.20 / 10.20 disapp. door Con4	Decke Gas Boiler 6.20 / 10.20 Verschwindetüre Con4	x			1		1				
A005	2161871NP	Top cover gas boiler 12.20 disappearing door Con4	Decke Gas Boiler 12.20 Verschwindetüre Con4	x						1			
A005	2161872NP	Top cover gas boiler 20.10 disappearing door Con4	Decke Gas Boiler 20.10 Verschwindetüre Con4	x							1		
A005	2161873NP	Top cover gas boiler 20.20 disappearing door Con4	Decke Gas Boiler 20.20 Verschwindetüre Con4	x								1	
A006	2161823NP	Cover Drainbox for Table Top Model Con4	Abdeckung Abwasserbox für Tischgeräte Con4	x	x	1		1	1				
A006	2161825NP	Cover Drainbox 20.10 Con4	Abdeckung Abwasserbox 20.10 Con4	x	x							1	
A006	2161902NP	Cover Drainbox 12.20 20.20 Con4	Abdeckung Abwasserbox 12.20/20.20 Con4	x	x					1			1
A007	5056314	Halogen lamp G4 10W Con4	Halogenlampe G4 10W Con4	x	x	1		1	1	1	2	2	-3P0
A008	5056317	Cooking chamber light frame incl. glass Con4	Garraumlampenrahmen inkl. Glas Con4	x	x	1		1	1	1	2	2	
A009	7056338	Door gasket 6.10 Con4	Türdichtung 6.10 Con4	x	x	1							
A009	7056339	Door gasket 6.20 Con4	Türdichtung 6.20 Con4	x	x		1						
A009	7056340	Door gasket 10.10 Con4	Türdichtung 10.10 Con4	x	x			1					
A009	7056341	Door gasket 10.20 Con4	Türdichtung 10.20 Con4	x	x				1				
A009	7056342	Door gasket 12.20 Con4	Türdichtung 12.20 Con4	x	x					1			
A009	7056343	Door gasket 20.10 Con4	Türdichtung 20.10 Con4	x	x						1		
A009	7056344	Door gasket 20.20 Con4	Türdichtung 20.20 Con4	x	x							1	
A010	2251352NP	Suction Panel Electric Sprayer 6.10 Con4	Ansaugblech Elektro Spritzer 6.10 Con4	x		1							
A010	2251353NP	Suction Panel Electric Boiler 6.10 Con4	Ansaugblech Elektro Boiler 6.10 Con4	x		1							
A010	2265863NP	Suction Panel Electric Sprayer 6.10 Bakery Con4	Ansaugblech Elektro Spritzer 6.10 Bäckerei Con4	x		1							
A010	2251363NP	Suction Panel Electric Sprayer 6.20 Con4	Ansaugblech Elektro Spritzer 6.20 Con4	x			1						
A010	2251362NP	Suction Panel Electric Boiler 6.20 Con4	Ansaugblech Elektro Boiler 6.20 Con4	x				1					
A010	2251373NP	Suction Panel Electric Sprayer 10.10 Con4	Ansaugblech Elektro Spritzer 10.10 Con4	x				1					
A010	2251372NP	Suction Panel Electric Boiler 10.10 Con4	Ansaugblech Elektro Boiler 10.10 Con4	x					1				
A010	2251452NP	Suction Panel Electric Sprayer 10.10 Bakery Con4	Ansaugblech Elektro Spritzer 10.10 Bäckerei Con4	x					1				
A010	2251383NP	Suction Panel Electric Sprayer 10.20 Con4	Ansaugblech Elektro Spritzer 10.20 Con4	x						1			
A010	2251382NP	Suction Panel Electric Boiler 10.20 Con4	Ansaugblech Elektro Boiler 10.20 Con4	x						1			
A010	2251393NP	Suction Panel Electric Sprayer 12.20 Con4	Ansaugblech Elektro Spritzer 12.20 Con4	x							1		
A010	2251392NP	Suction Panel Electric Boiler 12.20 Con4	Ansaugblech Elektro Boiler 12.20 Con4	x							1		
A010	2251403NP	Suction Panel Electric Sprayer 20.10 Con4	Ansaugblech Elektro Spritzer 20.10 Con4	x								1	
A010	2251402NP	Suction Panel Electric Boiler 20.10 Con4	Ansaugblech Elektro Boiler 20.10 Con4	x								1	
A010	2251413NP	Suction Panel Electric Sprayer 20.20 Con4	Ansaugblech Elektro Spritzer 20.20 Con4	x									1
A010	2251412NP	Suction Panel Electric Boiler 20.20 Con4	Ansaugblech Elektro Boiler 20.20 Con4	x									1
A010	2251351NP	Suction Panel Gas Sprayer 6.10 Con4	Ansaugblech Gas Spritzer 6.10 Con4	x		1							
A010	2251350NP	Suction Panel Gas Boiler 6.10 Con4	Ansaugblech Gas Boiler 6.10 Con4	x		1							
A010	2251361NP	Suction Panel Gas Sprayer 6.20 Con4	Ansaugblech Gas Spritzer 6.20 Con4	x			1						
A010	2251360NP	Suction Panel Gas Boiler 6.20 Con4	Ansaugblech Gas Boiler 6.20 Con4	x				1					
A010	2251371NP	Suction Panel Gas Sprayer 10.10 Con4	Ansaugblech Gas Spritzer 10.10 Con4	x					1				

#	ET-Nr. Part No	Description	Безопасность	Elektro	Gas	6.10	6.20	10.10	10.20	12.20	20.10	20.20	BMK / ID
A010	2251370NP	Suction Panel Gas Boiler 10.10 Con4	Ansaugblech Gas Boiler 10.10 Con4	x	x			1					
A010	2251381NP	Suction Panel Gas Sprayer 10.20 Con4	Ansaugblech Gas Spritzer 10.20 Con4	x	x				1				
A010	2251380NP	Suction Panel Gas Boiler 10.20 Con4	Ansaugblech Gas Boiler 10.20 Con4	x	x				1				
A010	2251391NP	Suction Panel Gas Sprayer 12.20 Con4	Ansaugblech Gas Spritzer 12.20 Con4	x	x					1			
A010	2251390NP	Suction Panel Gas Boiler 12.20 Con4	Ansaugblech Gas Boiler 12.20 Con4	x	x					1			
A010	2251401NP	Suction Panel Gas Sprayer 20.10 Con4	Ansaugblech Gas Spritzer 20.10 Con4	x	x						1		
A010	2251400NP	Suction Panel Gas Boiler 20.10 Con4	Ansaugblech Gas Boiler 20.10 Con4	x	x						1		
A010	2251411NP	Suction Panel Gas Sprayer 20.20 Con4	Ansaugblech Gas Spritzer 20.20 Con4	x	x							1	
A010	2251410NP	Suction Panel Gas Boiler 20.20 Con4	Ansaugblech Gas Boiler 20.20 Con4	x	x							1	
A011	2251301	Shelf Rack left 6.10 GN Con4	Einhängegestell links 6.10 GN Con4	x	x	1							
A011	2251303	Shelf Rack left 6.20 GN Con4	Einhängegestell links 6.20 GN Con4	x	x		1						
A011	2251305	Shelf Rack left 10.10 GN Con4	Einhängegestell links 10.10 GN Con4	x	x			1					
A011	2251307	Shelf Rack left 10.20 GN Con4	Einhängegestell links 10.20 GN Con4	x	x				1				
A011	2255010	Baker Rack left 6.10 BG Con4	Bäcker Einhängestell links 6.10 BG Con4	x	x	1							
A011	2255012	Baker Rack left 6.20 BG Con4	Bäcker Einhängestell links 6.20 BG Con4	x	x		1						
A011	2255014	Baker Rack left 10.10 BG Con4	Bäcker Einhängestell links 10.10 BG Con4	x	x			1					
A011	2255016	Baker Rack left 10.20 BG Con4	Bäcker Einhängestell links 10.20 BG Con4	x	x				1				
A011	2251327	Shelf Rack left 6.10 Marine GN Con4	Einhängegestell links 6.10 Marine GN Con4	x	x	1							
A011	2251328	Shelf Rack left 6.20 Marine GN Con4	Einhängegestell links 6.20 Marine GN Con4	x	x		1						
A011	2251329	Shelf Rack left 10.10 Marine GN Con4	Einhängegestell links 10.10 Marine GN Con4	x	x			1					
A011	2251330	Shelf Rack left 10.20 Marine GN Con4	Einhängegestell links 10.20 Marine GN Con4	x	x				1				
A011	2265694	Shelf Rack left 6.10 Marine -30mm GN Con4	Einhängegestell links 6.10 Marine -30mm GN Con4	x	x	1							
A011	2265696	Shelf Rack left 10.10 Marine -30mm GN Con4	Einhängegestell links 10.10 Marine -30mm GN Con4	x	x			1					
A011	2255059	Baker Rack left 6.10 BG Marine Con4	Bäcker Einhängestell links 6.10 BG Marine Con4	x	x	1							
A011	2255060	Baker Rack left 6.20 BG Marine Con4	Bäcker Einhängestell links 6.20 BG Marine Con4	x	x		1						
A011	2255061	Baker Rack left 10.10 BG Marine Con4	Bäcker Einhängestell links 10.10 BG Marine Con4	x	x			1					
A011	2255062	Baker Rack left 10.20 BG Marine Con4	Bäcker Einhängestell links 10.20 BG Marine Con4	x	x				1				
A012	3310394	Handle for Trolley 12.20/20.20 Con4	Griff für Beschickungswagen 12.20/20.20 Con4	x	x					1			
A012	3315244	Handle for Trolley 20.10 Con4	Griff für Beschickungswagen 20.10 Con4	x	x						1		
A012	2251302	Shelf Rack right 6.10 GN Con4	Einhängegestell rechts 6.10 GN Con4	x	x	1							
A012	2251304	Shelf Rack right 6.20 GN Con4	Einhängegestell rechts 6.20 GN Con4	x	x		1						
A012	2251306	Shelf Rack right 10.10 GN Con4	Einhängegestell rechts 10.10 GN Con4	x	x			1					
A012	2251308	Shelf Rack right 10.20 GN Con4	Einhängegestell rechts 10.20 GN Con4	x	x				1				
A012	2255011	Baker Rack right 6.10 BG Con4	Bäcker Einhängestell rechts 6.10 BG Con4	x	x	1							
A012	2255013	Baker Rack right 6.20 BG Con4	Bäcker Einhängestell rechts 6.20 BG Con4	x	x		1						
A012	2255015	Baker Rack right 10.10 BG Con4	Bäcker Einhängestell rechts 10.10 BG Con4	x	x			1					
A012	2255017	Baker Rack right 10.20 BG Con4	Bäcker Einhängestell rechts 10.20 BG Con4	x	x				1				
A012	2265695	Shelf Rack left 6.10 Marine -30mm GN Con4	Einhängegestell rechts 6.10 Marine -30mm GN Con4	x	x	1							
A012	2265697	Shelf Rack left 10.10 Marine -30mm GN Con4	Einhängegestell rechts 10.10 Marine -30mm GN Con4	x	x			1					
A013	5056325	4-Point core temperature probe 3.0m Con4	4-Punkt Kerntemperaturfühler 3.0m Con4	x	x	1	1	1	1	1	1	1	-3B10
A014	6015026	Seal for core temperature sensor P3 Con4	Dichtung für Kerntemperaturfühler P3 Con4	x	x	1	1	1	1	1	1	1	
A015	2009047	Mount for cable core temperature probe Con4	Haltebuegel für KTM-Fühlerleitung Con4	x	x	1	1	1	1	1	1	1	
A015	2050895	Repairset Mount for cable core temperature probe Con4	Reparaturset Haltebuegel für KTM-Fühlerleitung Con4	x	x						1	1	
A016	6064285	Suction Pipe Dehumidification 6.10/6.20 Con4	Ansaugrohr Entfeuchtung 6.10/6.20 Con4	x	x	1	1						
A016	6064286	Suction Pipe Dehumidification 12.20 Con4	Ansaugrohr Entfeuchtung 12.20 Con4	x	x					1			
A016	6064287	Suction Pipe Dehumidification 10.10/10.20/20.10/20.20 Con4	Ansaugrohr Entfeuchtung 10.10/10.20/20.10/20.20 Con4	x	x			1	1		1	1	
A017	2161847	Cover Airbox incl. fan Con4	Abdeckung Zuluftkasten inkl. Lüfter Con4	x	x	1	1	1	1	1	1	1	
A018	5056318	Extra fan P3 Con4	Zusatzlüfter P3 Con4	x	x	1	1	1	1	1	2	2	-2M0
A018	2118786	Stacking kit Fan Sunon 92x92mm Con4	Stapelkit Lüfter Sunon 92x92mm Con4	x	x	2	2	2	2				
A019	6064289	Adjustable foot table top model Marine 150x50x100 Con4	Gerätefuß einstellbar Tischgerät Marine 150x50x100 Con4	x	x	4	4	4	4				
A019	6056353	Adjustable foot table top model 150x50x100 Con4	Gerätefuß einstellbar Tischgerät 150x50x100 Con4	x	x	4	4	4	4				
A019	6064137	Adjustable foot for Floor Models 50x50 Con4 150x50x100 P4	Gerätefuß Standgeräte 50x50 Con4	x	x					4	4	4	
A019	6051061	Punch in foot 50x50 Marine flange Ø89 Con4	Einschlagstiftfuß 50x50 Marine Flansch Ø89 Con4	x	x					4	4	4	
A019	6064137	Adjustable punch in foot 50x50 square Stacking Kit Con4	Einschlagstiftfuß 50x50 vierkant Stapelkit Con4	x	x	4	4	4	4				
A019	3264851	Adjustable foot 40x40 for stand Con4	Einschlagstiftfuß 40x40 für Untergestell Con4	x	x	1	1	1	1				
A022	6014052	Guide roller 125x32 mm with rocker arm and total stop P3 Con4	Lenkrolle 125x32mm mit Kipphebel u Totalstopp P3 Con4	x	x					2	2	2	
A023	6014050	Swivel caster 125x32 mm without rocker arm and total stop P3 Con4	Lenkrolle 125x32mm ohne Kipphebel u Totalstopp P3 Con4	x	x					2	2	2	
A024	3015000	Collector tray for trolley plastic 20.10 P3 Con4	Sammelwanne Kunststoff 20.10 P3 Con4	x	x						1		
A024	3015001	Collector tray for trolley plastic 12.20/20.20 P3 Con4	Sammelwanne Kunststoff 12.20/20.20 P3 Con4	x	x					1		1	
A025	2004234	Slide-in retainer key for loading cart P3 Con4	Einfahrkeil für Beschickungswagen P3 Con4	x	x					2	2	2	
A029	7003066	Gasket 9x3mm	Dichtungsband 9x3mm	x	x	1	1	1	1	1	1	1	
A030	5065721	Cable gland M25, Ø 11-17mm	Kabelverschraubung M25, Ø 11-17mm	x	x	1	1	1	1	1	1	1	
A030	5065730	Cable gland M25 red., Ø 5-13mm 3~ 200V	Kabelverschraubung M25 red., Ø 5-13mm 3~ 200V	x	x	1	1	1	1	1	1	1	
A030	5065722	Cable gland M32, Ø 15-21mm	Kabelverschraubung M32, Ø 15-21mm	x	x	1	1						
A030	5065723	Cable gland M32 brass, Ø 18-27mm 3~ 200V	Kabelverschraubung M32 Messing, Ø 18-27mm 3~ 200V	x	x		1						
A030	5065724	Cable gland M40, Ø 19-28mm	Kabelverschraubung M40, Ø 19-28mm	x	x		1	1					
A030	5065725	Cable gland M40 brass, Ø 24-34mm 3~ 200V	Kabelverschraubung M40 Messing, Ø 24-34mm 3~ 200V	x	x	1	1						
A030	5065726	Cable gland M50, Ø 30-38mm	Kabelverschraubung M50, Ø 30-38mm	x	x						1		
A030	5065729	Cable gland M63 red., Ø 28-39mm	Kabelverschraubung M63 red., Ø 28-39mm	x	x				1				
A030	5065727	Cable gland M63, Ø 34-44mm	Kabelverschraubung M63, Ø 34-44mm	x	x							1	
A030	5065728	Cable gland M63 brass, Ø 39-48mm 3~ 200V	Kabelverschraubung M63 Messing, Ø 39-48mm 3~ 200V	x	x							1	
A031	6056349	O-Ring Boiler Con4	O-Ring Boiler Con4	x	x	1	1	1	1	1	1	1	
A032	6056496	Grommet 50mm for Top Cover Con4	Membrantülle 50mm für Außendecke Con4	x	x	2	2	2	2	3	3	3	
A032	H042	6063043	Mounting Set Ventilation Pipe Con4	Montage-Set Abluftrohr Con4	x	x	1	1	1	1	1	1	
A035	5056315	Cooking chamber light socket Con4	Garraumlampe Fassung G4 Con4	x	x	1	1	1	1	1	2	2	-3P0 -1P1
A037	2151045NP	Orifice bottom 6.10 / 10.10 Con4	Blende unten 6.10/10.10 Con4	x	x	1	1						
A037	2151046NP	Orifice bottom 6.20 / 10.20 Con4	Blende unten 6.20/10.20 Con4	x	x		1						
A037	2151048NP	Orifice bottom 20.10 Con4	Blende unten 20.10 Con4	x	x						1		
A037	2151047NP	Orifice bottom 12.20 / 20.20 Con4	Blende unten 12.20/20.20 Con4	x	x					1		1	
A038	2056497	Block for trolley Con4 (retrofit P3)	Klotz für Beschickungswagen Con4 (Nachrüst. P3)	x	x						1	1	
A039	5064010	Sousvide probe 1-Point 1.1m Con4	Sousvide Fühler 1-Punkt 1.1mCon4	x	x	1	1	1	1	1	1	1	-3B11
A039	5064012	1-Point external core temperature probe 1.1m Con4	1-Punkt external Kerntemperaturfühler 1.1m Con4	x	x	1	1	1	1	1	1	1	-3B11
A040	5064011	Plug Socket Wire Sousvide Probe Con4	Kupplung Leitung Sousvide Fühler Con4	x	x	1	1	1	1	1	1	1	-3B11
A040	5065080	Plug Socket Wire Sousvide Probe UL Con4	Kupplung Leitung Sousvide Fühler UL Con4	x	x	1	1	1	1	1	1	1	
A041	2164201	Rails left + right x.20 Con4	Einfahrtschiene links + rechts x.20Con4	x	x						1	1	
A041	2164202	Rails left + right 20.10 Con4	Einfahrtschiene links + rechts 20.10 Con4	x	x						1		
A042	2161988	Cover Pumps 6.10/10.10 Con4	Pumpenabdeckung 6.10/10.10 Con4	x	x	1	1						
A042	2161989	Cover Pumps 6.20/10.20 Con4	Pumpenabdeckung 6.20/10.20 Con4	x	x		1		1				
A042	2161990	Cover Pumps 12.20/20.10/20.20 Con4	Pumpenabdeckung 12.20/20.10/20.20 Con4	x	x			1	1				
A042	2161812NP	Pump cover 6.10/10.10 Con4	Pumpenabdeckung 6.10/10.10 Con4	x	x	1							
A042	2161894NP	Pump cover 6.20/10.20 Con4	Pumpenabdeckung 6.20/10.20 Con4	x	x		1		1				
A042	2161819NP	Pump cover 12.20/20.10/20.20 Con4	Pumpenabdeckung 12.20/20.10/20.20 Con4	x	x					1	1	1	
A043	5051999	Core temperature probe holder 12.20/20.10/20.20 Con4	KTM-Halter 12.20/20.10/20.20 Con4	x	x					1	1	1	
A043	5050893	Repairset core temperature probe holder 12.20/20.10/20.20 Con4	Reparaturset KTM-Halter 12.20/20.10/20.20 Con4	x	x					1	1	1	
A044	2556345	Drip tray 6.10/10.10 Con4	Gerätetropfwanne 6.10/10.10 Con4	x	x	1	1						

#	ET-Nr. Part No	Description	Безопасит	Elektro	Gas	6.10	6.20	10.10	10.20	12.20	20.10	20.20	BMK / ID
A044	2556346	Drip tray 6.20/10.20 Con4	Gerätetropfwanne 6.20/10.20 Con4	x	x			1	1				
A045	5056941	Smoker Heating element 240V 280W CE, UL Con4	Smoker-Heizung 240V 280W CE, UL Con4	x	x	1	1	1	1				-3E3
A045	5056942	Smoker Heating element 208V 280W UL Con4	Smoker-Heizung 208V 280W UL Con4	x	x	1	1	1	1				-3E3
A046	2064039	Drain sieve innerchamber Con4	Ablaufsieb Garraum Con4	x	x	1	1	1	1	1	1	1	
A047	6056943	Mount. set Smoker heatingelement CON4	Bef. Set Smoker Heizung Con4	x	x	1	1	1	1				
A048	2664268	counterflange smoker heatingelement Con4	Gegenflansch Smoker Heizelement Con4	x	x	1	1	1	1				
A049	2161937NP	Side cover right 6.10 right hinged Con4	Seitenteil rechts 6.10 Rechtsanschlag Con4	x	x								
A049	2161910NP	Side cover right 6.20 right hinged Con4	Seitenteil rechts 6.20 Rechtsanschlag Con4	x	x		1						
A049	2161801NP	Side cover right 10.10 right hinged Con4	Seitenteil rechts 10.10 Rechtsanschlag Con4	x	x			1					
A049	2161938NP	Side cover right 10.20 right hinged Con4	Seitenteil rechts 10.20 Rechtsanschlag Con4	x	x				1				
A049	2161942NP	Side cover right 12.20 right hinged Con4	Seitenteil rechts 12.20 Rechtsanschlag Con4	x	x					1			
A049	2161941NP	Side cover right 20.10 right hinged Con4	Seitenteil rechts 20.10 Rechtsanschlag Con4	x	x						1		
A049	2161939NP	Side cover right 20.20 right hinged Con4	Seitenteil rechts 20.20 Rechtsanschlag Con4	x	x							1	
A049	2161918NP	Side cover right 6.10 disappearing door Con4	Seitenteil rechts 6.10 Verschwindetüre Con4	x	x	1							
A049	2161916NP	Side cover right 6.20 disappearing door Con4	Seitenteil rechts 6.20 Verschwindetüre Con4	x	x		1						
A049	2161914NP	Side cover right 10.10 disappearing door Con4	Seitenteil rechts 10.10 Verschwindetüre Con4	x	x			1					
A049	2161920NP	Side cover right 10.20 disappearing door Con4	Seitenteil rechts 10.20 Verschwindetüre Con4	x	x				1				
A049	2161926NP	Side cover right 12.20 disappearing door Con4	Seitenteil rechts 12.20 Verschwindetüre Con4	x	x					1			
A049	2161924NP	Side cover right 20.10 disappearing door Con4	Seitenteil rechts 20.10 Verschwindetüre Con4	x	x						1		
A049	2161922NP	Side cover right 20.20 disappearing door Con4	Seitenteil rechts 20.20 Verschwindetüre Con4	x	x							1	
A049	2161848NP	Side cover right 6.10 disappearing door Marine Con4	Seitenteil rechts 6.10 Verschwindetüre Marine Con4	x	x	1							
A049	2161857NP	Side cover right 6.20 disappearing door Marine Con4	Seitenteil rechts 6.20 Verschwindetüre Marine Con4	x	x		1						
A049	2161858NP	Side cover right 10.10 disappearing door Marine Con4	Seitenteil rechts 10.10 Verschwindetüre Marine Con4	x	x			1					
A049	2161859NP	Side cover right 10.20 disappearing door Marine Con4	Seitenteil rechts 10.20 Verschwindetüre Marine Con4	x	x				1				
A049	2161860NP	Side cover right 12.20 disappearing door Marine Con4	Seitenteil rechts 12.20 Verschwindetüre Marine Con4	x	x					1			
A049	2161861NP	Side cover right 20.10 disappearing door Marine Con4	Seitenteil rechts 20.10 Verschwindetüre Marine Con4	x	x						1		
A049	2161862NP	Side cover right 20.20 disappearing door Marine Con4	Seitenteil rechts 20.20 Verschwindetüre Marine Con4	x	x							1	
A050	6056326	Dehumidification flap incl. Grommet valve Con4	Entfeuchtungsklappe inkl. Dichtung Con4	x	x	1	1	1	1	1	1	1	-3M9
A050	6056827	Dehumidification flap 6.10 Gas incl. Grommet valve Con4	Entfeuchtungsklappe 6.10 Gas inkl. Dichtung Con4	x	x	1							-3M9
A051	6056327	Gasket set for dehumidification flap Con4	Dichtungs-Set für Entfeuchtungsklappe Con4	x	x	1	1	1	1	1	1	1	-3M9
A052	5056977	RC-Filter 0.15µF 120 Ohm Dehumid Flap Con4	RC-Filter 0.15µF 120 Ohm Entfeuchtungsklappe Con4	x	x	1	1	1	1	1	1	1	
A053	5056316	Cooking chamber light seal (Set 5 pcs) Con4	Garraumlampe Flachdichtung Set 5st. Con4	x	x	1	1	1	1	1	1	2	
A054	2151680NP	Bracket reinforcement 6.10/6.20 Con4	Klobenversteifung 6.10/6.20 Con4	x	x	1							
A054	2151681NP	Bracket reinforcement 10.10/10.20 Con4	Klobenversteifung 10.10/10.20 Con4	x	x			1	1				
A054	2151682NP	Bracket reinforcement 12.20 Con4	Klobenversteifung 12.20 Con4	x	x					1			
A054	2151683NP	Bracket reinforcement 20.10 Con4	Klobenversteifung 20.10 Con4	x	x						1		
A054	2151689NP	Bracket reinforcement 20.20 Con4	Klobenversteifung 20.20 Con4	x	x							1	
A055	2151051NP	Airbox for Table Top Model Con4	Zuluftkasten für Tischgeräte Con4	x	x	1	1	1	1				
A055	2151175NP	Airbox for Floor Model Con4	Zuluftkasten für Standgeräte Con4	x	x					1	1	1	
A056	8064124	Flat head screw M4x10 A2 5 pc. Con4	Senkschraube M4x10 A2 5 Stück Con4	x	x	1	1	1	1	1	1	1	
A057	6064053	Adapter G 3/4 female x 3/4-11.5 male Brass USA Con4	Adapter 3/4" Messing für USA Con4	x	x	1	1	1	1	1	1	1	
A058	8009022	Sheet metal nut 14x11mm 4,8 Con4	Blechmutter 14x11mm 4,8 Con4	x	x	2	2	2	2	2	2	2	
A058	8064587	sheet metal nut 14x11mm M5 Con4	Blechmutter 14x11mm M5 Con4	x	x	x	x	x	x	x	x	x	
A059	8051285	Hexagon head tapping screw 4.8x32 A2 tabletop models Con4	Sechskant-Blechschräube 4.8x32 A2 Tischgeräte Con4	x	x	2	2	2	2				
A059	8051284	Hexagon head tapping screw 4.8x80 A2 floor models Con4	Sechskant-Blechschräube 4.8x80 A2 Standgeräte Con4	x	x					2	2	2	
A059	8064588	hexagon screw M5x75 DIN931 A2 Con4	Sechskantschraube M5x75 DIN931 A2 Con4	x	x	x	x	x	x	x	x	x	
A060	6005041	Closing plug 50x50mm	Abschlußstopfen 50 x 50mm	x	x						2	2	2
A061	5063048	Spacer sheet cooking chamber light Con4	Garraumlampe Beilegblech Con4	x	x	1	1	1	1				
A062	3465085	Support Set Trolley Handle Panel mounted Con4	Halter Set Schiebegriff Beschickungswagen Seitenteil Montage Con4	x	x						1	1	1
A064	2550469	Sieve insert Appliance drip tray Bakery Table top Models CON4	Siebesatz Gerätetropfwanne Bäckerei Tischgerät CON4	x	x	1		1					
Acs	3264130	Threaded Bolt 4 pc. for Stand Con4	Gewindebolzen 4 Stück Ø8 für Untergestell Con4	x	x	1	1	1	1				
Acs	3464149	Signal Tower Cable 10m with plug M12 Con4	Signalturnm Kabel 10m mit Buchse M12 Con4	x	x	1	1	1	1	1	1	1	
Acs	3464150	Signal Tower mounting bracket Con4	Signalturnm Befestigungswinkel Con4	x	x	1	1	1	1	1	1	1	
Acs	3463075	Set Multitool Con4	Set Multitool Con4	x	x	1	1	1	1	1	1	1	
Acs	3264155	Ball catch for stand Con4	Kugelschnapper kpl für Untergestell Con4	x	x	1	1	1	1				
Acs	3464219	Holding Angel Cleaner Boxes Con4	Haltewinkel für Behälter Reinigerkanister Con4	x	x	1	1	1	1	1	1	1	
Acs	2665151	Draft diverter 20.20 Gas cpl Con4	Abgasführungsadapter 20.20 Gas kpl Con4	x	x								1
Acs	2665153	Draft diverter 20.10 Gas cpl Con4	Abgasführungsadapter 20.10 Gas kpl Con4	x	x						1		
Acs	2655684	Fireplace baffle Gas Sprayer 6.10, 10.10 Con4	Kaminprallblech Gas Spritzer 6.10, 10.10 Con4	x	x	1		1					
Acs	2655689	Fireplace baffle Gas Boiler 6.10, 10.10 Con4	Kaminprallblech Gas Boiler 6.10, 10.10 Con4	x	x	1		1					
Acs	2655685	Fireplace baffle Gas Sprayer 6.20 Con4	Kaminprallblech Gas Spritzer 6.20 Con4	x	x	1							
Acs	2655690	Fireplace baffle Gas Boiler 6.20 Con4	Kaminprallblech Gas Boiler 6.20 Con4	x	x	1							
Acs	2655686	Fireplace baffle Gas Sprayer 10.20, 12.20 Con4	Kaminprallblech Gas Spritzer 10.20, 12.20 Con4	x	x				1	1			
Acs	2655691	Fireplace baffle Gas Boiler 10.20, 12.20 Con4	Kaminprallblech Gas Boiler 10.20, 12.20 Con4	x	x					1	1		
Acs	2655687	Fireplace baffle Gas 20.10 Con4	Kaminprallblech Gas 20.10 Con4	x	x								1
Acs	2655688	Fireplace baffle Gas 20.20 Con4	Kaminprallblech Gas 20.20 Con4	x	x								1
Acs	2164555	Grease filter Cooling Fan Tabletop Models Con4	Fettfilter Zulustkasten Tischgeräte Con4	x	x	1	1	1	1				
Acs	2165401	Drip Tray Drainbox Overflow Con4	Auffangwanne Abwasserbox Überlauf Con4	x	x	1	1	1	1	1	1	1	
Acs	5011002	Water distribution P3, mini, Con4	Wasserverteiler P3, mini, Con4	x	x	1	1	1	1	1	1	1	
Acs	2664128	Floor anchor floor-standing units Con4	Bodenbefestigung Standgeräte Con4	x	x						1	1	1
Acs	3463090	Spacer floor-standing units 100mm Wall clearance Con4	Abstandshalter Standgeräte 100mm Wandabstand Con4	x	x							1	1
Acs	3463091	Spacer floor-standing units 200mm Wall clearance Con4	Abstandshalter Standgeräte 200mm Wandabst Con4	x	x								1
Acs	3465490	Kit sedimentfilter unit side mini, Con4	Set Sedimentfilter geräteseitig mini, Con4	x	x	1	1	1	1	1	1	1	
Acs	3466388	Set exhaust pipe separator Con4	Set Rohrtrenner Abluft Con4	x	x	1	1	1	1	1	1	1	
Acs	2064218	Mounting Set Gas Pipe Con4	Befestigungsset Gasleitung Con4	x	x	1	1	1	1	1			
Acs	6006230	Backflow Preventer 3/4" - optional	Rückflussverhinderer 3/4" - optional	x	x	1	1	1	1	1	1	1	
B001	2556820	Door 6.10 Con4	Türe 6.10 Con4	x	x	1							
B001	2556821	Door 6.20 Con4	Türe 6.20 Con4	x	x		1						
B001	2556822	Door 10.10 Con4	Türe 10.10 Con4	x	x			1					
B001	2556823	Door 10.20 Con4	Türe 10.20 Con4	x	x				1				
B001	2556824	Door 12.20 Con4	Türe 12.20 Con4	x	x					1			
B001	2556825	Door 20.10 Con4	Türe 20.10 Con4	x	x						1		
B001	2556826	Door 20.20 Con4	Türe 20.20 Con4	x	x							1	
B001	2564093	Disappearing Door 6.10 Con4	Verschwindetüre 6.10 Con4	x	x	1							
B001	2564094	Disappearing Door 6.20 Con4	Verschwindetüre 6.20 Con4	x	x		1						
B001	2564095	Disappearing Door 10.10 Con4	Verschwindetüre 10.10 Con4	x	x			1					
B001	2564096	Disappearing Door 10.20 Con4	Verschwindetüre 10.20 Con4	x	x				1				
B001	2564097	Disappearing Door 12.20 Con4	Verschwindetüre 12.20 Con4	x	x					1			
B001	2564098	Disappearing Door 20.10 Con4	Verschwindetüre 20.10 Con4	x	x						1		
B001	2564099	Disappearing Door 20.20 Con4	Verschwindetüre 20.20 Con4	x	x							1	
B001	2564278	Disappearing Door 20.10 JVA complete Con4	Tür 20.10 Verschwindetür JVA kpl Con4	x	x								1
B001	2564279	Disappearing Door 20.20 JVA complete Con4	Tür 20.20 Verschwindetür JVA kpl Con4	x	x								1
B002	2656813	Inner door 6.10 Con4	Innentüre 6.10 Con4	x	x	1							
B002	2656814	Inner door 6.20 Con4	Innentüre 6.20 Con4	x	x		1						
B002	2656815	Inner door 10.10 Con4	Innentüre 10.10 Con4	x	x			1					
B002	2656816	Inner door 10.20 Con4	Innentüre 10.20 Con4	x	x				1				

#	ET-Nr. Part No	Description	Безопасит	Elektro	Gas	6.10	6.20	10.10	10.20	12.20	20.10	20.20	BMK / ID
B002	2656817	Inner door 12.20 Con4	Innentüre 12.20 Con4	x	x					1			
B002	2656818	Inner door 20.10 Con4	Innentüre 20.10 Con4	x	x						1		
B002	2656819	Inner door 20.20 Con4	Innentüre 20.20 Con4	x	x							1	
B003	6056809	Door handle Floor Model Con4	Türgriff Standgeräte Con4	x	x					1	1	1	
B003	6056384	Door handle Table Top Model Con4	Türgriff Tischgeräte Con4	x	x	1	1	1	1				
B004	6056369	Innerdoor bracket Set for Table Top Model Con4	Innentür Halteklammer Set für Tischgerät Con4	x	x	2	2	2	2				
B004	6056812	Innerdoor bracket Set for Table Floor Model Con4	Innentür Halteklammer Set für Standgerät Con4	x	x					2	2	2	
B005	6056370	Door buffer Set 4 pc. for Table Top Model Con4	Türpuffer 4 Stück für Tischgerät Con4	x	x	4	4	4	4				
B005	6056811	Door buffer 2 pc. for Floor Model Con4	Türpuffer 2 Stück für Standgerät Con4	x	x					2	2	2	
B006	6056383	Door spacer for Floor Model Con4	Tür Abstandsblech für Standgerät Con4	x	x					4	4	4	
B007	6064160	Upper bottom Hinge part inner door 12.20/20.10/20.20 Con4	Scharnierunterteil oben, Innentüre 12.20/20.10/20.20 Con4	x	x					1	1	1	
B008	6064161	Lower bottom Hinge part inner door 12.20/20.10/20.20 Con4	Scharnierunterteil oben Innentüre 12.20/20.10/20.20 Con4	x	x					1	1	1	
B009	2656838	Hinge top for Table Top Model right hinged Con4	Scharnier oben für Tischgerät Rechtsanschlag Con4	x	x	1	1	1	1				
B009	6056841	Hinge top for Floor Model right hinged Con4	Scharnier oben für Standgerät Rechtsanschlag Con4	x	x					1	1	1	
B009	6056842	Hinge top for Table Top Model disapp. door Con4	Scharnier oben für Tischgerät Verschwindetüre Con4	x	x	1	1	1	1				
B009	6056844	Hinge top for Floor Model disappearing door Con4	Scharnier oben für Standgerät Verschwindetüre Con4	x	x					1	1	1	
B010	2656839	Hinge bottom for Table Top Model right hinged Con4	Scharnier unten für Tischgerät Rechtsanschlag Con4	x	x	1	1	1	1				
B010	6056840	Hinge bottom for Floor Model right hinged Con4	Scharnier unten für Standgerät Rechtsanschlag Con4	x	x					1	1	1	
B010	6056843	Hinge bottom for Table Top Model disapp. door Con4	Scharnier unten für Tischgerät Verschwindetüre Con4	x	x	1	1	1	1				
B010	6056845	Hinge bottom for Floor Model disapp. door Con4	Scharnier unten für Standgerät Verschwindetüre Con4	x	x					1	1	1	
B011	2556336	Door drip tray 6.20/10.20 Con4	Türtropfwanne 6.20/10.20 Con4	x	x	1		1					
B011	2556335	Door drip tray 6.10/10.10 Con4	Türtropfwanne 6.10/10.10 Con4	x	x	1		1					
B012	2651704	Carriage plate 6.x disappearing door complete Con4	Schlitzenplatte 6.x Verschwindetüre komplet Con4	x	x	1	1						
B012	2651705	Carriage plate 10.x disappearing door complete Con4	Schlitzenplatte 10.x Verschwindetüre komplet Con4	x	x			1	1				
B012	2651706	Carriage plate 12.20 disappearing door complete Con4	Schlitzenplatte 12.20 Verschwindetüre komplet Con4	x	x					1			
B012	2651707	Carriage plate 20.x disappearing door complete Con4	Schlitzenplatte 20.x Verschwindetüre komplet Con4	x	x						1	1	
B013	2161968NP	Cover panel 6.10/6.20 disappearing door CNS Con4	Verkleidungsblech 6.10/6.20 CNS Verschwindetüre Con4	x	x	1	1						
B013	2161971NP	Cover panel 10.10/10.20 disappearing door CNS Con4	Verkleidungsblech 10.10/10.20 CNS Verschwindetüre Con4	x	x			1	1				
B013	2161974NP	Cover panel 12.20 disappearing door CNS Con4	Verkleidungsblech 12.20 CNS Verschwindetüre Con4	x	x					1			
B013	2161965NP	Cover panel 20.10/20.20 disappearing door Con4	Verkleidungsblech 20.10/20.20 Verschwindetüre Con4	x	x						1	1	
B014	6064167	Grid block carriage plate disappearing door Con4	Rasterklotz Schlitzenplatte Verschwindetüre Con4	x	x	1	1	1	1	1	1	1	
B015	2664282	Upper hinge arm disappearing door Con4	Scharnierarm oben Verschwindetüre Con4	x	x	1	1	1	1	1	1	1	
B016	2619141	Guide roller disappearing door 30x16 P3 Con4	Führungsrolle Verschwindetüre 30x16 P3 Con4	x	x	2	2	2	2	2	2	2	
B017	2619156	Lock block stop disappearing door P3 Con4	Sicherungsklotz Verschwindetüre P3 Con4	x	x	2	2	2	2	2	2	2	
B018	2619153	Door stop disappearing door P3 Con4	Türanschlag Verschwindetüre P3 Con4	x	x	2	2	2	2	2	2	2	
B019	6064169	Support bar Disappearing door complete Con4	Stützleiste Verschwindetür komplett Con4	x	x	1	1	1	1	1	1	1	
B020	2664284	Guide rail x.20 disappearing door Con4	Fuehrungsschiene x.20 Verschwindetüre Con4	x	x	1	1						
B020	2664170	Guide rail x.10 disappearing door Con4	Fuehrungsschiene x.10 Verschwindetüre Con4	x	x	1		1			1		
B021	2664000	Stop Buffer Disappearing door Con4	Anschlagpuffer Verschwindetüre Con4	x	x	1	1	1	1	1	1	1	
B022	6064171	Stopper guidance rail disappearing door Con4	Stopper Führungsschiene Verschwindetüre Con4	x	x	1	1	1	1	1	1	1	
B023	2664164	Guide bracket table top models disappearing door Con4	Führungsbügel Tischgeräte Verschwindetüre Con4	x	x	1	1	1	1				
B023	2664165	Guide bracket floor models disappearing door Con4	Führungsbügel Standgeräte Verschwindetüre Con4	x	x						1	1	
B024	6056498	Door-Bracket single-stage table top model Con4	Tür-Kloben einstufig für Tischgerät Con4	x	x	1	1	1	1				
B024	6056807	Door-Bracket double-stage table top model Con4	Tür-Kloben zweistufig für Tischgerät Con4	x	x	1	1	1	1				
B024	6056499	Door-Bracket double-stage Floor model Con4	Tür-Kloben zweistufig für Standgerät Con4	x	x						1	1	
B025	5056328	Door contact switch Con4	Türkontaktschalter Con4	x	x	1	1	1	1	1	1	1	-6Q0
B026	2664040	Support profile cross gasket door 12.20/20.20 Con4	Stützprofil Querdichtung Tür 12.20/20.20 Con4	x	x					1		1	
B026	2664041	Support profile cross gasket door 20.10 Con4	Stützprofil Querdichtung Tür 20.10 Con4	x	x						1		
B027	7056805	Crosswise door gasket 12.20/20.20 Con4	Querichtung 12.20/20.20 Con4	x	x					1		1	
B027	7056806	Crosswise door gasket 20.10 Con4	Querichtung 20.10 Con4	x	x						1		
B028	6064162	Backstop door floor models Con4	Gegenhalter Tür Standgeräte	x	x					1	1	1	
B031	6030647	Double ball catch large stop disappearing door Marine P3 Con4	Doppelkugelschnapper groß Verschwindetüre Marine P3 Con4	x	x	1	1	1	1	1	1	1	
B033	6056808	Support block for table top model Con4	Stützklotz für Tischgerät Con4	x	x	1	1	1	1				
B033	6056810	Cover support block for door Floor Model Con4	Abdeckung Stützklotz für Tür Standgeräte Con4	x	x					1	1	1	
B035	2664168	Lower hinge arm disappearing door Con4	Scharnierarm unten Verschwindetüre Con4	x	x	1	1	1	1	1	1	1	
B036	6064042	Label "C" red Con4	Aufkleber "C" rot Con4	x	x	1	1	1	1	1	1	1	
B037	2656836	Sealing panel preheat bridge 20.10 Con4	Dichtplatte Vorheizbrücke 20.10 Con4	x	x						1		
B037	2656837	Sealing panel preheat bridge 12.20/20.20 Con4	Dichtplatte Vorheizbrücke 12.20/20.20 Con4	x	x							1	
B038	6064182	Retracting arm for door V2A Ø15mm, L=390 - 590 mm Con4	Türfeststeller V2A; Ø15mm, L=390 - 590 mm Con4	x	x	1	1	1	1	1	1	1	
B039	2564271	Door 6.10 Right hand Marine cpl Con4	Tür 6.10 Rechtsanschlag Marine kpl Con4	x	x	1							
B039	2564272	Door 6.20 Right hand Marine cpl Con4	Tür 6.20 Rechtsanschlag Marine kpl Con4	x	x		1						
B039	2564273	Door 10.10 Right hand Marine cpl Con4	Tür 10.10 Rechtsanschlag Marine kpl Con4	x	x			1					
B039	2564274	Door 10.20 Right hand Marine cpl Con4	Tür 10.20 Rechtsanschlag Marine kpl Con4	x	x				1				
B039	2564275	Door 12.20 Right hand Marine cpl Con4	Tür 12.20 Rechtsanschlag Marine kpl Con4	x	x					1			
B039	2564276	Door 20.10 Right hand Marine cpl Con4	Tür 20.10 Rechtsanschlag Marine kpl Con4	x	x						1		
B039	2564277	Door 20.20 Right hand Marine cpl Con4	Tür 20.20 Rechtsanschlag Marine kpl Con4	x	x							1	
B040	2656828	Preheat bridge 20.10 Con4	Vorheizbrücke 20.10 Con4	x	x						1		
B040	2656829	Preheat bridge 12.20/20.20 Con4	Vorheizbrücke 12.20/20.20 Con4	x	x							1	
B041	2664179	Base plate door contact switch table top Con4	Halteblech Türkontaktschalter Tischgeräte Con4	x	x	1	1	1	1				
B041	2664163	Door switch mounting plate Con4	Montageblech Türkontaktschalter Con4	x	x	1	1	1	1	1	1	1	
B042	2556368	Fixing set for door drip tray baffle Con4	Reparatur-Set Türtropfwanne Verschlussklappe Con4	x	x	1	1	1	1				
B043	2525072	Door striker stop disappearing door Marine P3 Con4	Türrastrer Verschwindetüre Marine P3 Con4	x	x	1	1	1	1	1	1	1	
C001	5056356	SIB Control board Con4	SIB Steuerplatine Con4	x	x	1	1	1	1	1	1	1	-A1
C001	6064038	SIB Control board coated (option) Con4	SIB Steuerplatine beschichtet (Option) Con4	x	x	1	1	1	1	1	1	1	-A1
C003	5064813	Ethernet Communication Module Set easyDial Con4	Netzwerk Kommunikationsmodul Set easyDial Con4	x	x	1	1	1	1	1	1	1	
C004	2618785	Fixing accessories for controller P2 ,P3, Con4	Befestigungsset Steuerung P2, P3, Con4	x	x	1	1	1	1	1	1	1	
C006	5056385	Power Supply 12V 60W Con4	Netzteil 12V 60W Con4	x	x	1	1	1	1	1	1	1	-2T0
C006	5064143	Power Supply 12V 60W Navy Con4	Netzteil 12V 60W Schiff Con4	x	x	1	1	1	1	1	1	1	-2T0
C006	5056946	Power Supply 12V 60W UL Con4	Netzteil 12V 60W UL Con4	x	x	1	1	1	1	1	1	1	-2T0
C007	5056367	easyDial User Interface UI Con4	easyDial Bedienteil Con4	x	x	1	1	1	1	1	1	1	
C007	5056366	easyTouch User Interface UI Con4	easyTouch Bedienteil Con4	x	x	1	1	1	1	1	1	1	
C015	5056362	Switch ON/OFF incl cable for control Con4	Schalter AN/AUS inkl Kabel für Steuerung Con4	x	x	1	1	1	1	1	1	1	
C018	5056949	Speaker w. Cable and Connector EasyTouch Con4	Lautsprecher m Kabel und Verbindung EasyTouch Con4	x	x	1	1	1	1	1	1	1	
C020	5056361	USB connection incl cable for control Con4	USB Anschluss inkl Kabel für Steuerung Con4	x	x	1	1	1	1	1	1	1	
C022	5056357	Data cable 1m to SIB Con4	Datenkabel 1m zum SIB Con4	x	x	1	1	1	1	1	1	1	
C031	2664291	Serial data cable easyDial to communication module Con4	Datenkabel easyDial zu Kommunikationsmodul Con4	x	x	1	1	1	1	1	1	1	
C032	2664290	Ethernet Communication Module easyDial Con4	Netzwerk Kommunikationsmodul easyDial Con4	x	x	1	1	1	1	1	1	1	
C033	8001021	Fillister head screw M4x6	Linsenschraube M4x6	x	x	2	2	2	2	2	2	2	
C034	8001031	Fillister head screw M5x10	Linsenschraube M5x10	x	x	1	1	1	1	1	1	1	
C035	8056358	SIB mounting set Con4	SIB Befestigungs-Set Con4	x	x	1	1	1	1	1	1	1	
C036	2664288	Service Hook User Interface Con4	Servicehaken User Interface Con4	x	x	1	1	1	1	1	1	1	
C037	5056363	Casing easyDial easyTouch back part Con4	Gehäuse easyDial easyTouch Rückwand Con4	x	x	1	1	1	1	1	1	1	
C038	5064623	Cabel ON/OFF Switch Con4	Kabel AN/AUS Schalter P4 Con4	x	x	1	1	1	1	1	1	1	X35
C039	5064152	Cover USB connection for control Con4	Abdeckung USB Anschluss für Steuerung Con4	x	x	1	1	1	1	1	1	1	
C040	5056359	Encoder with cable easyDial Con4	Drehgeber mit Kabel easyDial Con4	x	x	1	1	1	1	1	1	1	
C041	5056360	Control knob easyDial Con4	Drehknopf easyDial Con4	x	x	1	1	1					

#	ET-Nr. Part No	Description	Безопасность	Электро	Gas	6.10	6.20	10.10	10.20	12.20	20.10	20.20	BMK / ID
C042	5056365	Casing easyDial Con4	Gehäuse easyDial Con4	x	x	1	1	1	1	1	1	1	
C042	5056364	Casing easyTouch front part Con4	Gehäuse easyTouch Frontteil Con4	x	x	1	1	1	1	1	1	1	
C043	4056002	Personal Module PM Con4	Personal Module PM Con4	x	x	1	1	1	1	1	1	1	-2S0
C049	5066657	Extension cable RJ45 CAT6 400mm Con4	Verlängerungskabel RJ45 CAT6 400mm Con4	x	x	1	1	1	1	1	1	1	
C050	5066656	Cover cap socket RJ45 Con4	Abdeckkappe Buchse RJ45 Con4	x	x	1	1	1	1	1	1	1	
C051	5012031	Ethernet jack RJ45 2 x RJ45 Con4	Buchse Ethernet RJ45 Durchgang 2 x RJ45 Con4	x	x	1	1	1	1	1	1	1	
C052	4052371	Network cable CAT6 Indust 2,0m Con4	Netzwerkkabel CAT6 Indust 2,0m Con4	x	x	1	1	1	1	1	1	1	
C052	4066399	Network cable CAT6 Indust 3,40m Con4	Netzwerkkabel CAT6 Indust 3,40m Con4	x	x	1	1	1	1	1	1	1	
C053	5050613	Front foil easyDial Con4	Front foil easyDial Con4	x	x	1	1	1	1	1	1	1	
C053	5050614	Front foil easyTouch Con4	Front foil easyTouch Con4	x	x	1	1	1	1	1	1	1	
D001	2356923	Boiler Electric 6.10 Con4 (w/o Heating Element)	Boiler Elektro 6.10 Con4 (ohne Heizungselement)	x	1								
D001	2356924	Boiler Electric 6.20 Con4 (w/o Heating Elements)	Boiler Elektro 6.20 Con4 (ohne Heizungselemente)	x		1							
D001	2356925	Boiler Electric 10.10 Con4 (w/o Heating Elements)	Boiler Elektro 10.10 Con4 (ohne Heizungselemente)	x			1						
D001	2356926	Boiler Electric 10.20 Con4 (w/o Heating Elements)	Boiler Elektro 10.20 Con4 (ohne Heizungselemente)	x				1					
D001	2356927	Boiler Electric 12.20 Con4 (w/o Heating Elements)	Boiler Elektro 12.20 Con4 (ohne Heizungselemente)	x					1				
D001	2356928	Boiler Electric 20.10 Con4 (w/o Heating Elements)	Boiler Elektro 20.10 Con4 (ohne Heizungselemente)	x						1			
D001	2356929	Boiler Electric 20.20 Con4 (w/o Heating Elements)	Boiler Elektro 20.20 Con4 (ohne Heizungselemente)	x							1		
D001	2064055	Gas boiler 6.10/10.10 CE Con4 (w/o Burner Unit)	Boiler Gas 6.10/10.10 CE Con4 (ohne Brennereinheit)	x	1		1						
D001	2064056	Gas boiler 6.20 CE Con4 (w/o Burner Unit)	Boiler Gas 6.20 CE Con4 (ohne Brennereinheit)	x		1							
D001	2064057	Gas boiler 10.20/12.20/20.10/20.20 CE Con4 (w/o Burner Unit)	Boiler Gas 10.20/12.20/20.10/20.20 CE Con4 (ohne Brennereinheit)	x				1	1	1	1	1	
D001	2064255	Gas boiler 6.10/10.10 UL Con4 (w/o Burner Unit)	Boiler Gas 6.10/10.10 UL Con4 (ohne Brennereinheit)	x	1		1						
D001	2064256	Gas boiler 6.20 UL Con4 (w/o Burner Unit)	Boiler Gas 6.20 UL Con4 (ohne Brennereinheit)	x		1							
D001	2064257	Gas boiler 10.20/12.20/20.10/20.20 UL Con4 (w/o Burner Unit)	Boiler Gas 10.20/12.20/20.10/20.20 UL Con4 (ohne Brennereinheit)	x				1	1	1	1	1	
D002	6056322	Flange seal for immersion heater Con4	Flanschdichtung für Tauchheizkörper Con4	x	1	2	2	2	3	3	3	3	
D003	5056320	Immersion heater 9kW 230V Con4	Tauchheizkörper 9kW 230V Con4	x	1	2	2	2	3	3	3	3	-4E0 -4E1 -4E2
D003	5056321	Immersion heater 13.3kW 230V Con4	Tauchheizkörper 13.3kW 230V Con4	x				2	1	3			-4E0 -4E1 -4E2
D003	5056930	Immersion heater 9kW 200V Con4	Tauchheizkörper 9kW 200V Con4	x	1	2	2	2	3	3	3	3	-4E0 -4E1 -4E2
D003	5056931	Immersion heater 13.3kW 200V Con4	Tauchheizkörper 13.3kW 200V Con4	x				2	1	3			-4E0 -4E1 -4E2
D003	5056932	Immersion heater 9kW 277V Con4	Tauchheizkörper 9kW 277V Con4	x	1	2	2	2	3	3	3	3	-4E0 -4E1 -4E2
D003	5056933	Immersion heater 13.3kW 277V Con4	Tauchheizkörper 13.3kW 277V Con4	x				2	1	3			-4E0 -4E1 -4E2
D005	2019700	Drainage pump boiler P3 Con4	Entleerungspumpe Boiler P3 Con4	x	x	1	1	1	1	1	1	1	-4M5
D006	6064052	Drain Elbow Boiler Con4	Ablaufwinkel Boiler Con4	x	x	1	1	1	1	1	1	1	
D007	5064073	Boiler waste water hose Ø22 6.10/6.20/10.10 Con4	Abwasserschlauch Boiler Ø22 6.10/6.20/10.10 Con4	x	1	1	1						
D007	5064074	Boiler waste water hose Ø22 10.20 to 20.20 Con4	Abwasserschlauch Boiler Ø22 10.20 bis 20.20 Con4	x				1	1	1	1	1	
D007	5064081	Waste water hose Boiler Ø22 6.10/6.20Electric Con4	Abwasserschlauch Boiler Ø22 6.10/6.20Electric Con4	x	1	1							
D007	5064082	Waste water hose Boiler Ø22 10.10/10.20Electric Con4	Abwasserschlauch Boiler Ø22 10.10/10.20Electric Con4	x			1	1					
D007	5064083	Waste water hose Boiler Ø22 12.20 to 20.20Electric Con4	Abwasserschlauch Boiler Ø22 12.20 bis 20.20Electric Con4	x					1	1	1	1	
D008	6016500	Back flow preventer for Boiler 23" Con4	Rücksaugabsicherung für Boiler 23" Con4	x	x				1	1	1	1	
D008	6056934	Back flow preventer for Boiler 100" Con4	Rücksaugabsicherung für Boiler 100" Con4	x	x	1	1	1					
D009	7064048	Filling hose 600mm Ø13 6.10/6.20 Boiler Con4	Befüllschlauch 600mm Ø13 Boiler 6.10/6.20 EL GAS Con4	x	1	1	1						
D009	7064049	Filling hose 850mm Ø13 12.20/20.10/20.20 Boiler Con4	Befüllschlauch 850mm Ø13 Boiler 12.20/20.10/20.20 Con4	x				1	1	1	1	1	
D009	7064050	Boiler Water supply hose 960mm CE Con4	Boiler Wasserzulaufschlauch 960mm CE Con4	x	x	1	1	1	1	1	1	1	
D009	7064051	Boiler Water supply hose 960mm UL Con4	Boiler Wasserzulaufschlauch 960mm UL Con4	x	x	1	1	1	1	1	1	1	
D010	5056348	Double-level probe Con4	Doppelniveausonde Con4	x	x	1	1	1	1	1	1	1	-4B12
D010	5062289	Double-level probe self cleaning Con4	Doppelniveausonde selbstreinigend Con4	x	x	1	1	1	1	1	1	1	
D011	6056350	Seal for double-level probe P3 Con4	Flachdichtung für Doppelniveausonde P3 Con4	x	x	1	1	1	1	1	1	1	
D013	5056323	Thermocouple probe Boiler 2300mm Con4	Thermoelementfühler Boiler 2300mm Con4	x	x	1	1	1	1	1	1	1	-4B8
D013	5056948	Thermocouple probe Boiler 2300mm Con4 UL	Thermoelementfühler Boiler 2300mm Con4 UL	x	x	1	1	1	1	1	1	1	-4B8
D014	5056319	Safety temperature limiter Boiler 170" Con4	Schutztemperaturbegrenzer Boiler 170" Con4	x	x	1	1	1	1	1	1	1	-2B8
D017	2064058	Chimney gas boiler 6.10/6.20 cpl Con4	Kamin Boiler Gas 6.10/6.20 kpl Con4	x	1	1							
D017	2064059	Chimney gas boiler 10.10 cpl Con4	Kamin Boiler Gas 10.10 kpl Con4	x			1						
D017	2064060	Chimney gas boiler 10.20 cpl Con4	Kamin Boiler Gas 10.20 kpl Con4	x				1					
D017	2064061	Chimney gas boiler 12.20 cpl Con4	Kamin Boiler Gas 12.20 kpl Con4	x					1				
D017	2064062	Chimney gas boiler 20.10/20.20 cpl Con4	Kamin Boiler Gas 20.10/20.20 kpl Con4	x						1	1	1	
D018	2251357	Spray ChannElectric for Suction PanElectric 6.10/6.20 Electric Con4	Einspritzkanal Ansaugblech 6.10/6.20 Elektro Con4	x	1	1							
D018	2251378	Spray ChannElectric for Suction PanElectric 10.10/10.20 GAS Con4	Einspritzkanal Ansaugblech 10.10/10.20 GAS Con4	x			1	1					
D018	2251379	Spray ChannElectric for Suction PanElectric 6.10/6.20 GAS Con4	Einspritzkanal Ansaugblech 6.10/6.20 GAS Con4	x	1	1							
D018	2251424	Spray ChannElectric for Suction PanElectric 10.10/10.20 Electric Con4	Einspritzkanal Ansaugblech 10.10/10.20 Elektro Con4	x			1	1					
D018	2251425	Spray ChannElectric for Suction PanElectric 12.20 Con4	Einspritzkanal Ansaugblech 12.20 Con4	x	x				1				
D018	2251441	Injection 20.10/20.20 welded Con4	Einspritzung 20.10/20.20 geschweißt Con4	x	x					1	1	1	
D019	2064177	Piping injection top x.10 Con4	Rohrleitung Einspritzer Decke x.10 Con4	x	x	1	1			1			
D019	2064175	Piping injection top x.20 Con4	Rohrleitung Einspritzer Decke x.20 Con4	x	x			1	1	1			
D021	2230013	Pressure regulator valve 6.10 P3 Con4 + 6.06 Mini	Druckregulierungsventil 6.10 P3 Con4 + 6.06 Mini	x	x	1							-4B1
D021	2230014	Pressure regulator valve 6.20 / 10.10 / 10.20 P3 Con4	Druckregulierungsventil 6.20. 10.10. 10.20 P3 Con4	x	x	1	1	1					-4B1
D021	2230015	Pressure regulator valve 12.20 P3 Con4	Druckregulierungsventil 12.20 P3 Con4	x	x				1				-4B1
D021	2230016	Pressure regulator valve 20.20 P3 Con4	Druckregulierungsventil 20.20 P3 Con4	x	x					1	1		-4B1
D021	2230017	Pressure regulator valve 20.10 P3 Con4	Druckregulierungsventil 20.10 P3 Con4	x	x						1		-4B1
D023	6005236	O-Ring 53x3 for steam-generator emptying pump P2 P3 Con4	O-Ring 53x3 f. Dampferzeuger-Entleerungspumpe P2 P3 Con4	x	x	1	1	1	1	1	1	1	
D025	8009057	Wire clip 36 mm	Drahtschelle 36 mm	x	x	1	1	1	1	1	1	1	
D027	7064043	Drain pipe boiler Ø22 12EL 6.10/6.20/10.10 Gas Con4	Abwasserrohr Boiler Ø22 12EL 6.10/6.20/10.10 Gas Con4	x	1	1	1						
D027	7064258	Drain Pipe Boiler Ø22mm 10.10 10.20 EL Con4	Abwasserrohr Boiler Ø22mm 10.10 10.20 EL Con4	x				1					
D027	7064259	Drain Pipe Boiler Ø22mm 12.20 20.10 20.20 EL Con4	Abwasserrohr Boiler Ø22mm 12.20 20.10 20.20 EL Con4	x					1	1	1	1	
D027	7064044	Drain pipe boiler Ø22 GAS 10.20 to 20.20 Con4	Abwasserrohr Boiler Ø22 Gas 10.20 bis 20.20 Con4	x					1	1	1	1	
D028	2364047	Suction hose Ø 10 Boiler Con4	Saugschlauch Ø 10 Boiler Con4	x	1	1	1	1	1	1	1	1	
D029	6064254	Connector G3/4" Backflowpreventer Gas Boiler Con4	Anschluss G3/4" Rücksaugabsicherung Gas Boiler Con4	x	1	1	1	1	1	1	1	1	
D030	2364203	Bracket pump boiler electric Con4	Halteblech Entleerungspumpe Elektro Con4	x	1	1	1	1	1	1	1	1	
D030	2364204	Bracket pump boiler gas Con4	Halteblech Entleerungspumpe GAS Con4	x	1	1	1	1	1	1	1	1	
D031	3465312	Boiler Filter electric Table-top unit Con4	Boiler Filter Elektro Tischgeräte Con4	x	1	1	1	1					
D031	3465313	Boiler Filter electric Floor-standing unit Con4	Boiler Filter Elektro Standgeräte Con4	x						1	1	1	
E001	5056347	Motor 0.35kW 215V50Hz Con4	Motor 0.35kW 215V50Hz Con4	x	x	1	1	1	1	1	2	2	-3M5 -3M6
E002	2617294	Fixing parts for motor P3 Con4	Motorbefestigung Set P3 Con4	x	x	1	1	1	1	1	2	2	
E003	2617295	Seal for Motor shaft	Motorwellendichtung	x	x	1	1	1	1	2	2	2	
E004	6064173	Distance Motor Con4	Abstandsbochse Motor Con4	x	x	1	1	1	1	1	2	2	
E005	6056333	Fan wheel 6.10/10.10/20.10 Con4	Lüfterrad 6.10/10.10/20.10 Con4	x	x	1	1						
E005	6056334	Fan wheel 6.20/10.20/12.20/20.20 Con4	Lüfterrad 6.20/10.20/12.20/20.20 Con4	x	x			1	1	1	1	2	
E006	2617293	Fan Wheel fixing P3 CON4	Lüfterradbefestigung P3 CON4	x	x	1	1	1	1	1	2	2	
E007	5056330	Heating element Convection 6.10 10.5 kW 230V Con4	Heizelement Heißluft 6.10 10.5 kW 230V Con4	x	1								-3E0
E007	5056331	Heating element Convection 6.20/10.10/20.10 18.9kW 230V Con4	Heizelement Heißluft 6.20/10.10/20.10 18.9 kW 230V Con4	x				1	1	2			-3E0 -3E1
E007	5056332	Heating element Convection 10.20/12.20/20.20 2x16.5kW 230V Con4	Heizelement Heißluft 10.20/12.20/20.20 2x16.5kW 230V Con4	x		</							

#	ET-Nr. Part No	Description	Безопасит	Elektro	Gas	6.10	6.20	10.10	10.20	12.20	20.10	20.20	BMK / ID
Vent	3464144	gasket exhaust air box Ø65-150x30 electric (blue) Con4	Dichtung Abluftkasten Ø65-150x30 Elek...o (blau) Con4	x		1	1	1	1	1	1	1	
Vent	3464138	Inlet Pipe Stacking kit/CV 10.10/10.20/10.20/20.20 electric Con4	Ansaugrohr Stapelkit/CV 10.10/10.20/10.20/20.20 Elektro Con4	x	x			1	1		1	1	
Vent	3464139	Inlet Pipe Stacking kit/CV 6.10/6.20 electric Con4	Ansaugrohr Stapelkit/CV 6.10/6.20 Elektro Con4	x	x	1	1						
Vent	5064709	Smoothing coil 1AC 2.5A 7.5mH Convovent Con4	Netzdrosele 1AC 2.5A 7.5mH Convovent Con4	x									
X000	5265329	Wiring Loom X22 X23 X26 X40 Electro Boiler 6.10 Con4	Kabelbaum X22 X23 X26 X40 Elektro Boiler 6.10 Con4	x		1							X22 X23 X26 X40
X000	5265330	Wiring Loom X22 X23 X26 X40 Electro Boiler 6.20 Con4	Kabelbaum X22 X23 X26 X40 Elektro Boiler 6.20 Con4	x			1						X22 X23 X26 X40
X000	5265331	Wiring Loom X22 X23 X26 X40 Electro Boiler 10.10 Con4	Kabelbaum X22 X23 X26 X40 Elektro Boiler 10.10 Con4	x				1					X22 X23 X26 X40
X000	5265332	Wiring Loom X22 X23 X26 X40 Electro Boiler 10.20 Con4	Kabelbaum X22 X23 X26 X40 Elektro Boiler 10.20 Con4	x					1				X22 X23 X26 X40
X000	5265333	Wiring Loom X22 X23 X26 X40 Electro Boiler 12.20 Con4	Kabelbaum X22 X23 X26 X40 Elektro Boiler 12.20 Con4	x						1			X22 X23 X26 X40
X000	5265334	Wiring Loom X22 X23 X26 X40 Electro Boiler 20.10 Con4	Kabelbaum X22 X23 X26 X40 Elektro Boiler 20.10 Con4	x							1		X22 X23 X26 X40
X000	5265335	Wiring Loom X22 X23 X26 X40 Electro Boiler 20.20 Con4	Kabelbaum X22 X23 X26 X40 Elektro Boiler 20.20 Con4	x								1	X22 X23 X26 X40
X000	5265336	Wiring Loom X22 X23 X26 X40 Electro Sprayer 6.10 Con4	Kabelbaum X22 X23 X26 X40 Elektro Spritzer 6.10 Con4	x		1							X22 X23 X26 X40
X000	5265337	Wiring Loom X22 X23 X26 X40 Electro Sprayer 6.20 Con4	Kabelbaum X22 X23 X26 X40 Elektro Spritzer 6.20 Con4	x			1						X22 X23 X26 X40
X000	5265338	Wiring Loom X22 X23 X26 X40 Electro Sprayer 10.10 Con4	Kabelbaum X22 X23 X26 X40 Elektro Spritzer 10.10 Con4	x				1					X22 X23 X26 X40
X000	5265339	Wiring Loom X22 X23 X26 X40 Electro Sprayer 10.20 Con4	Kabelbaum X22 X23 X26 X40 Elektro Spritzer 10.20 Con4	x					1				X22 X23 X26 X40
X000	5265340	Wiring Loom X22 X23 X26 X40 Electro Sprayer 12.20 Con4	Kabelbaum X22 X23 X26 X40 Elektro Spritzer 12.20 Con4	x						1			X22 X23 X26 X40
X000	5265341	Wiring Loom X22 X23 X26 X40 Electro Sprayer 20.10 Con4	Kabelbaum X22 X23 X26 X40 Elektro Spritzer 20.10 Con4	x							1		X22 X23 X26 X40
X000	5265342	Wiring Loom X22 X23 X26 X40 Electro Sprayer 20.20 Con4	Kabelbaum X22 X23 X26 X40 Elektro Spritzer 20.20 Con4	x								1	X22 X23 X26 X40
X000	5265358	Wiring Loom X22 X23 X26 X40 Gas Boiler 6.10 CE Con4	Kabelbaum X22 X23 X26 X40 Gas Boiler 6.10 CE Con4	x	1								X22 X23 X26 X40
X000	5265359	Wiring Loom X22 X23 X26 X40 Gas Boiler 6.20 CE Con4	Kabelbaum X22 X23 X26 X40 Gas Boiler 6.20 CE Con4	x		1							X22 X23 X26 X40
X000	5265360	Wiring Loom X22 X23 X26 X40 Gas Boiler 10.10 CE Con4	Kabelbaum X22 X23 X26 X40 Gas Boiler 10.10 CE Con4	x			1						X22 X23 X26 X40
X000	5265361	Wiring Loom X22 X23 X26 X40 Gas Boiler 10.20 CE Con4	Kabelbaum X22 X23 X26 X40 Gas Boiler 10.20 CE Con4	x				1					X22 X23 X26 X40
X000	5265362	Wiring Loom X22 X23 X26 X40 Gas Boiler 12.20 CE Con4	Kabelbaum X22 X23 X26 X40 Gas Boiler 12.20 CE Con4	x					1				X22 X23 X26 X40
X000	5265363	Wiring Loom X22 X23 X26 X40 Gas Boiler 20.10 CE Con4	Kabelbaum X22 X23 X26 X40 Gas Boiler 20.10 CE Con4	x						1			X22 X23 X26 X40
X000	5265364	Wiring Loom X22 X23 X26 X40 Gas Boiler 20.20 CE Con4	Kabelbaum X22 X23 X26 X40 Gas Boiler 20.20 CE Con4	x							1		X22 X23 X26 X40
X000	5265365	Wiring Loom X22 X23 X26 X40 Gas Sprayer 6.10 CE Con4	Kabelbaum X22 X23 X26 X40 Gas Spritzer 6.10 CE Con4	x	1								X22 X23 X26 X40
X000	5265366	Wiring Loom X22 X23 X26 X40 Gas Sprayer 6.20 CE Con4	Kabelbaum X22 X23 X26 X40 Gas Spritzer 6.20 CE Con4	x		1							X22 X23 X26 X40
X000	5265367	Wiring Loom X22 X23 X26 X40 Gas Sprayer 10.10 CE Con4	Kabelbaum X22 X23 X26 X40 Gas Spritzer 10.10 CE Con4	x			1						X22 X23 X26 X40
X000	5265368	Wiring Loom X22 X23 X26 X40 Gas Sprayer 10.20 CE Con4	Kabelbaum X22 X23 X26 X40 Gas Spritzer 10.20 CE Con4	x				1					X22 X23 X26 X40
X000	5265369	Wiring Loom X22 X23 X26 X40 Gas Sprayer 12.20 CE Con4	Kabelbaum X22 X23 X26 X40 Gas Spritzer 12.20 CE Con4	x					1				X22 X23 X26 X40
X000	5265370	Wiring Loom X22 X23 X26 X40 Gas Sprayer 20.10 CE Con4	Kabelbaum X22 X23 X26 X40 Gas Spritzer 20.10 CE Con4	x						1			X22 X23 X26 X40
X000	5265371	Wiring Loom X22 X23 X26 X40 Gas Sprayer 20.20 CE Con4	Kabelbaum X22 X23 X26 X40 Gas Spritzer 20.20 CE Con4	x							1		X22 X23 X26 X40
X000	5265386	Wiring Loom X22 X23 X26 X40 Gas Boiler 6.10 UL Con4	Kabelbaum X22 X23 X26 X40 Gas Boiler 6.10 UL Con4	x	1								X22 X23 X26 X40
X000	5265387	Wiring Loom X22 X23 X26 X40 Gas Boiler 6.20 UL Con4	Kabelbaum X22 X23 X26 X40 Gas Boiler 6.20 UL Con4	x		1							X22 X23 X26 X40
X000	5265388	Wiring Loom X22 X23 X26 X40 Gas Boiler 10.10 UL Con4	Kabelbaum X22 X23 X26 X40 Gas Boiler 10.10 UL Con4	x			1						X22 X23 X26 X40
X000	5265389	Wiring Loom X22 X23 X26 X40 Gas Boiler 10.20 UL Con4	Kabelbaum X22 X23 X26 X40 Gas Boiler 10.20 UL Con4	x				1					X22 X23 X26 X40
X000	5265390	Wiring Loom X22 X23 X26 X40 Gas Boiler 12.20 UL Con4	Kabelbaum X22 X23 X26 X40 Gas Boiler 12.20 UL Con4	x					1				X22 X23 X26 X40
X000	5265391	Wiring Loom X22 X23 X26 X40 Gas Boiler 20.10 UL Con4	Kabelbaum X22 X23 X26 X40 Gas Boiler 20.10 UL Con4	x							1		X22 X23 X26 X40
X000	5265392	Wiring Loom X22 X23 X26 X40 Gas Boiler 20.20 UL Con4	Kabelbaum X22 X23 X26 X40 Gas Boiler 20.20 UL Con4	x								1	X22 X23 X26 X40
X000	5265393	Wiring Loom X22 X23 X26 X40 Gas Sprayer 6.10 UL Con4	Kabelbaum X22 X23 X26 X40 Gas Spritzer 6.10 UL Con4	x	1								X22 X23 X26 X40
X000	5265394	Wiring Loom X22 X23 X26 X40 Gas Sprayer 6.20 UL Con4	Kabelbaum X22 X23 X26 X40 Gas Spritzer 6.20 UL Con4	x		1							X22 X23 X26 X40
X000	5265395	Wiring Loom X22 X23 X26 X40 Gas Sprayer 10.10 UL Con4	Kabelbaum X22 X23 X26 X40 Gas Spritzer 10.10 UL Con4	x			1						X22 X23 X26 X40
X000	5265396	Wiring Loom X22 X23 X26 X40 Gas Sprayer 10.20 UL Con4	Kabelbaum X22 X23 X26 X40 Gas Spritzer 10.20 UL Con4	x				1					X22 X23 X26 X40
X000	5265397	Wiring Loom X22 X23 X26 X40 Gas Sprayer 12.20 UL Con4	Kabelbaum X22 X23 X26 X40 Gas Spritzer 12.20 UL Con4	x					1				X22 X23 X26 X40
X000	5265398	Wiring Loom X22 X23 X26 X40 Gas Sprayer 20.10 UL Con4	Kabelbaum X22 X23 X26 X40 Gas Spritzer 20.10 UL Con4	x						1			X22 X23 X26 X40
X000	5265399	Wiring Loom X22 X23 X26 X40 Gas Sprayer 20.20 UL Con4	Kabelbaum X22 X23 X26 X40 Gas Spritzer 20.20 UL Con4	x								1	X22 X23 X26 X40
X001	5265707	Wiring Loom X1 Gas Firing device repara set Con4	Kabelbaum X1 Gas Feuerungsautomat Reparaturset Con4	x	1	1	1	1	2	2	2	2	X1
X001	4064013	Fuseholder fuse T1A burner fan UL Con4	Sicherungshalter Sicherung T1A Brennergebläse UL Con4	x	2	2	2	2	2	3	3	3	-3F1 -3F2 -4F1
X002	4064014	Fuse T1A 10 pc. burner fan UL Con4	G-Sicherung T1A 10 Stück Brennergebläse UL Con4	x	1	1	1	1	1	1	1	1	-3F1 -3F2 -4F1
X003	5256415	Wiring Loom X3 Gas (includes 5253704) Con4	Kabelbaum X3 Gas (beinhaltet 5253704) Con4	x	2	2	2	2	2	3	3	3	X3
X015	5256467	Wiring Loom X15 (includes 5253500) Con4	Kabelbaum X15 (beinhaltet 5253500) Con4	x	x	1	1	1	1	1	1	1	X15
X018	5256846	Wiring Loom X18 Gas Boiler 6.10 (incl. 5253580) Con4	Kabelbaum X18 Gas Boiler 6.10 (beinh. 5253580) Con4	x	1								X18
X018	5256847	Wiring Loom X18 Gas Boiler 6.20 (incl. 5253581) Con4	Kabelbaum X18 Gas Boiler 6.20 (beinh. 5253581) Con4	x		1							X18
X018	5256848	Wiring Loom X18 Gas Boiler 10.10 (incl. 5253582) Con4	Kabelbaum X18 Gas Boiler 10.10 (beinh. 5253582) Con4	x			1						X18

#	ET-Nr. Part No	Description	Безопасность	Elektro	Gas	6.10	6.20	10.10	10.20	12.20	20.10	20.20	BMK / ID
X026	5253693	Wiring Loom X26 Gas Boiler 10.20 CE Con4	Kabelbaum X26 Gas Boiler 10.20 CE Con4	x	x				1				X26
X026	5264025	Wiring Loom X26 Gas Boiler 10.20 UL (incl. 5253713) Con4	Kabelbaum X26 Gas Boiler 10.20 UL (beinh. 5253713) Con4	x	x				1				X26
X026	5253694	Wiring Loom X26 Gas Boiler 12.20 CE Con4	Kabelbaum X26 Gas Boiler 12.20 CE Con4	x	x					1			X26
X026	5264026	Wiring Loom X26 Gas Boiler 12.20 UL (incl. 5253714) Con4	Kabelbaum X26 Gas Boiler 12.20 UL (beinh. 5253714) Con4	x	x					1			X26
X026	5253695	Wiring Loom X26 Gas Boiler 20.10 CE Con4	Kabelbaum X26 Gas Boiler 20.10 CE Con4	x	x						1		X26
X026	5264027	Wiring Loom X26 Gas Boiler 20.10 UL (incl. 5253715) Con4	Kabelbaum X26 Gas Boiler 20.10 UL (beinh. 5253715) Con4	x	x						1		X26
X026	5253696	Wiring Loom X26 Gas Boiler 20.20 CE Con4	Kabelbaum X26 Gas Boiler 20.20 CE Con4	x	x							1	X26
X026	5264028	Wiring Loom X26 Gas Boiler 20.20 UL (incl. 5253716) Con4	Kabelbaum X26 Gas Boiler 20.20 UL (beinh. 5253716) Con4	x	x							1	X26
X026	5253697	Wiring Loom X26 Gas Sprayer 6.10 CE Con4	Kabelbaum X26 Gas Spritzer 6.10 CE Con4	x	x	1							X26
X026	5264029	Wiring Loom X26 Gas Sprayer 6.10 UL (incl. 5253717) Con4	Kabelbaum X26 Gas Spritzer 6.10 UL (beinh. 5253717) Con4	x	x	1							X26
X026	5253698	Wiring Loom X26 Gas Sprayer 6.20 CE Con4	Kabelbaum X26 Gas Spritzer 6.20 CE Con4	x	x		1						X26
X026	5264030	Wiring Loom X26 Gas Sprayer 6.20 UL (incl. 5253718) Con4	Kabelbaum X26 Gas Spritzer 6.20 UL (beinh. 5253718) Con4	x	x		1						X26
X026	5253699	Wiring Loom X26 Gas Sprayer 10.10 CE Con4	Kabelbaum X26 Gas Spritzer 10.10 CE Con4	x	x			1					X26
X026	5264031	Wiring Loom X26 Gas Sprayer 10.10 UL (incl. 5253719) Con4	Kabelbaum X26 Gas Spritzer 10.10 UL (beinh. 5253719) Con4	x	x			1					X26
X026	5253700	Wiring Loom X26 Gas Sprayer 10.20 CE Con4	Kabelbaum X26 Gas Spritzer 10.20 CE Con4	x	x				1				X26
X026	5264032	Wiring Loom X26 Gas Sprayer 10.20 UL (incl. 5253720) Con4	Kabelbaum X26 Gas Spritzer 10.20 UL (beinh. 5253720) Con4	x	x				1				X26
X026	5253701	Wiring Loom X26 Gas Sprayer 12.20 CE Con4	Kabelbaum X26 Gas Spritzer 12.20 CE Con4	x	x					1			X26
X026	5264033	Wiring Loom X26 Gas Sprayer 12.20 UL (incl. 5253721) Con4	Kabelbaum X26 Gas Spritzer 12.20 UL (beinh. 5253721) Con4	x	x					1			X26
X026	5253702	Wiring Loom X26 Gas Sprayer 20.10 CE Con4	Kabelbaum X26 Gas Spritzer 20.10 CE Con4	x	x						1		X26
X026	5264034	Wiring Loom X26 Gas Sprayer 20.10 UL (incl. 5253722) Con4	Kabelbaum X26 Gas Spritzer 20.10 UL (beinh. 5253722) Con4	x	x						1		X26
X026	5253703	Wiring Loom X26 Gas Sprayer 20.20 CE Con4	Kabelbaum X26 Gas Spritzer 20.20 CE Con4	x	x							1	X26
X026	5264035	Wiring Loom X26 Gas Sprayer 20.20 UL (incl. 5253723) Con4	Kabelbaum X26 Gas Spritzer 20.20 UL (beinh. 5253723) Con4	x	x							1	X26
X027	5256480	Wiring Loom X27 (includes 5253505) Con4	Kabelbaum X27 (beinhaltet 5253505) Con4	x	x	1	1	1	1	1	1	1	X27
X030	5256451	Wiring Loom X30 20.10 20.20 (includes 5253524) Con4	Kabelbaum X30 20.10 20.20 (beinhaltet 5253524) Con4	x	x							1	X30
X040	5253506	Wiring Loom X40 Boiler incl. Clean 6.10 Con4	Kabelbaum X40 Boiler inkl. Reinigung 6.10 Con4	x	x	1							X40
X040	5253531	Wiring Loom X40 Boiler incl. Clean 6.20 Con4	Kabelbaum X40 Boiler inkl. Reinigung 6.20 Con4	x	x		1						X40
X040	5253539	Wiring Loom X40 Boiler incl. Clean 10.10 Con4	Kabelbaum X40 Boiler inkl. Reinigung 10.10 Con4	x	x			1					X40
X040	5253514	Wiring Loom X40 Boiler incl. Clean 10.20 Con4	Kabelbaum X40 Boiler inkl. Reinigung 10.20 Con4	x	x				1				X40
X040	5253547	Wiring Loom X40 Boiler incl. Clean 12.20 Con4	Kabelbaum X40 Boiler inkl. Reinigung 12.20 Con4	x	x					1			X40
X040	5253555	Wiring Loom X40 Boiler incl. Clean 20.10 Con4	Kabelbaum X40 Boiler inkl. Reinigung 20.10 Con4	x	x						1		X40
X040	5253522	Wiring Loom X40 Boiler incl. Clean 20.20 Con4	Kabelbaum X40 Boiler inkl. Reinigung 20.20 Con4	x	x							1	X40
X040	5253651	Wiring Loom X40 Boiler without Clean 6.10 Con4	Kabelbaum X40 Boiler ohne Reinigung 6.10 Con4	x	x	1							X40
X040	5253657	Wiring Loom X40 Boiler without Clean 6.20 Con4	Kabelbaum X40 Boiler ohne Reinigung 6.20 Con4	x	x		1						X40
X040	5253659	Wiring Loom X40 Boiler without Clean 10.10 Con4	Kabelbaum X40 Boiler ohne Reinigung 10.10 Con4	x	x			1					X40
X040	5253653	Wiring Loom X40 Boiler without Clean 10.20 Con4	Kabelbaum X40 Boiler ohne Reinigung 10.20 Con4	x	x				1				X40
X040	5253661	Wiring Loom X40 Boiler without Clean 12.20 Con4	Kabelbaum X40 Boiler ohne Reinigung 12.20 Con4	x	x					1			X40
X040	5253663	Wiring Loom X40 Boiler without Clean 20.10 Con4	Kabelbaum X40 Boiler ohne Reinigung 20.10 Con4	x	x						1		X40
X040	5253655	Wiring Loom X40 Boiler without Clean 20.20 Con4	Kabelbaum X40 Boiler ohne Reinigung 20.20 Con4	x	x							1	X40
X040	5253623	Wiring Loom X40 Sprayer incl. Clean 6.10 Con4	Kabelbaum X40 Spritzer inkl. Reinigung 6.10 Con4	x	x	1							X40
X040	5253635	Wiring Loom X40 Sprayer incl. Clean 6.20 Con4	Kabelbaum X40 Spritzer inkl. Reinigung 6.20 Con4	x	x		1						X40
X040	5253639	Wiring Loom X40 Sprayer incl. Clean 10.10 Con4	Kabelbaum X40 Spritzer inkl. Reinigung 10.10 Con4	x	x			1					X40
X040	5253627	Wiring Loom X40 Sprayer incl. Clean 10.20 Con4	Kabelbaum X40 Spritzer inkl. Reinigung 10.20 Con4	x	x				1				X40
X040	5253643	Wiring Loom X40 Sprayer incl. Clean 12.20 Con4	Kabelbaum X40 Spritzer inkl. Reinigung 12.20 Con4	x	x					1			X40
X040	5253647	Wiring Loom X40 Sprayer incl. Clean 20.10 Con4	Kabelbaum X40 Spritzer inkl. Reinigung 20.10 Con4	x	x						1		X40
X040	5253631	Wiring Loom X40 Sprayer incl. Clean 20.20 Con4	Kabelbaum X40 Spritzer inkl. Reinigung 20.20 Con4	x	x							1	X40
X040	5253671	Wiring Loom X40 Sprayer without Clean 6.10 Con4	Kabelbaum X40 Spritzer ohne Reinigung 6.10 Con4	x	x	1							X40
X040	5253677	Wiring Loom X40 Sprayer without Clean 6.20 Con4	Kabelbaum X40 Spritzer ohne Reinigung 6.20 Con4	x	x		1						X40
X040	5253679	Wiring Loom X40 Sprayer without Clean 10.10 Con4	Kabelbaum X40 Spritzer ohne Reinigung 10.10 Con4	x	x			1					X40
X040	5253673	Wiring Loom X40 Sprayer without Clean 10.20 Con4	Kabelbaum X40 Spritzer ohne Reinigung 10.20 Con4	x	x				1				X40
X040	5253681	Wiring Loom X40 Sprayer without Clean 12.20 Con4	Kabelbaum X40 Spritzer ohne Reinigung 12.20 Con4	x	x					1			X40
X040	5253683	Wiring Loom X40 Sprayer without Clean 20.10 Con4	Kabelbaum X40 Spritzer ohne Reinigung 20.10 Con4	x	x						1		X40
X040	5253675	Wiring Loom X40 Sprayer without Clean 20.20 Con4	Kabelbaum X40 Spritzer ohne Reinigung 20.20 Con4	x	x							1	X40
X041	5253744	Wiring Loom X41 Greasemanagement, Vaporreduction Con4	Kabelbaum X41 Fettmanagement, Kondensationseinheit Con4	x	x	1	1	1	1	1	1	1	X41
X045	5256485	Wiring Loom X45 (includes 5253507) Con4	Kabelbaum X45 (beinhaltet 5253507) Con4	x	x	1	1	1	1	1	1	1	X45
X046	5253756	Wiring Loom X46 Tabletop Models Greasemanagement CE Con4	Kabelbaum X46 Tischgeräte Fettmanagement CE Con4	x	x	1	1	1	1				X46
X046	5253758	Wiring Loom X46 Floorstanding Models Greasemanagement CE Con4	Kabelbaum X46 Standgeräte Fettmanagement CE Con4	x	x					1	1	1	X46
X046	5253761	Wiring Loom X46 Tabletop Models Greasemanagement UL Con4	Kabelbaum X46 Tischgeräte Fettmanagement UL Con4	x	x	1	1	1	1				X46
X046	5253763	Wiring Loom X46 Floorstanding Models Greasemanagement UL Con4	Kabelbaum X46 Standgeräte Fettmanagement UL Con4	x	x					1	1	1	X46
X231	5253880	Wiring Loom X231 X401 for Cleaning Con4	Kabelbaum X231 X401 für Reinigung Con4	x	x	1	1	1	1	1	1	1	X231 X401
X411	5253746	Wiring Loom X411 Tabletop Models Greasemanagement Con4	Kabelbaum X411 Tischgeräte Fettmanagement Con4	x	x	1	1	1	1				X411
X411	5253747	Wiring Loom X411 Floorstanding Models Greasemanagement Con4	Kabelbaum X411 Standgeräte Fettmanagement Con4	x	x					1	1	1	X411
X412	5253752	Wiring Loom X412 Vaporreduction Con4	Kabelbaum X412 Kondensationseinheit Con4	x	x	1	1	1	1	1	1	1	X412