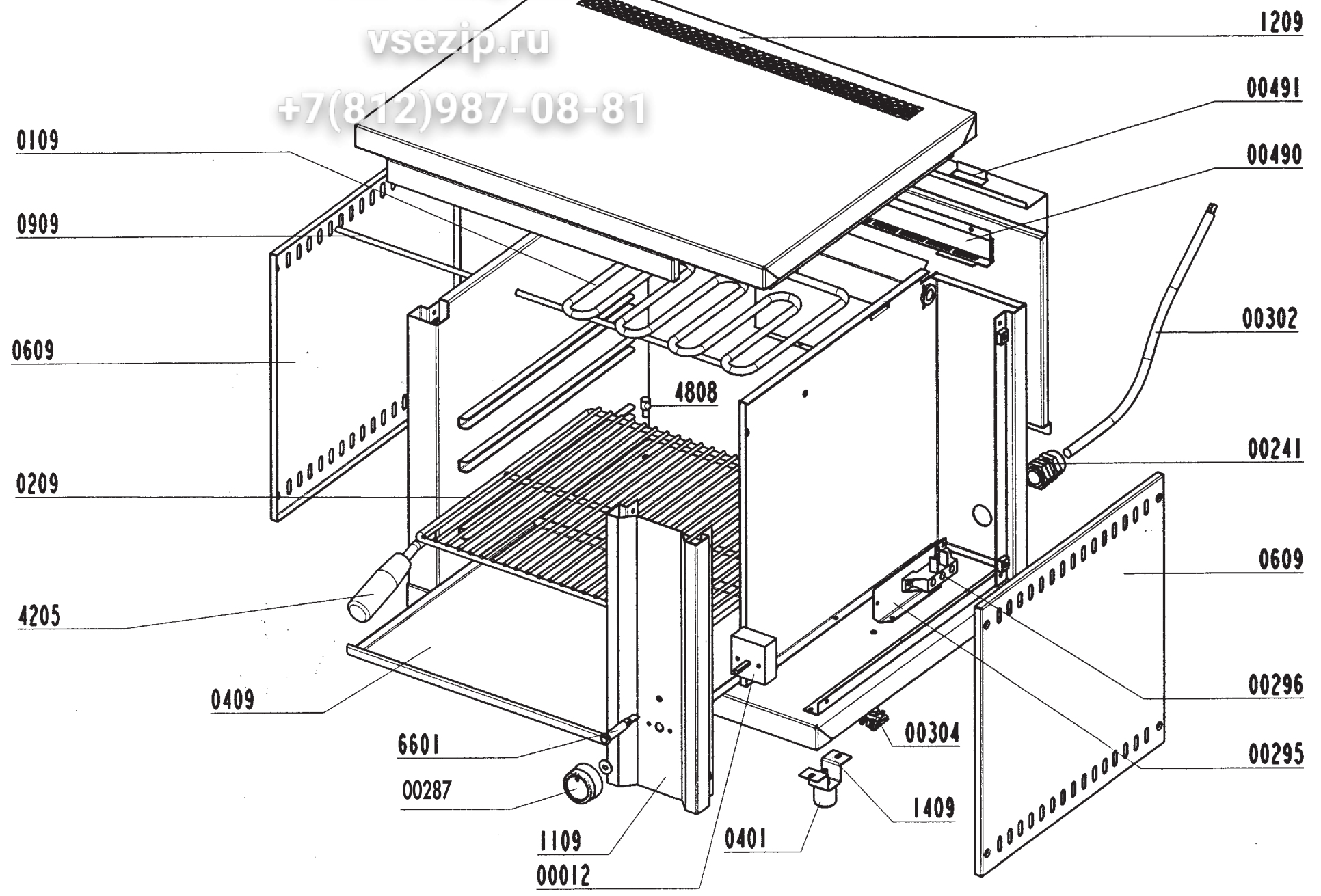


Зип Общепит  
vsezip.ru  
+7(812)987-08-81



| Artic./Item  | Descrizione/Description                                     |  | Modello/Model                            |
|--------------|---|--|--|
| 216022       | SALAMANDRA CHIUSA SU 3 LATI<br>SALAMANDER CLOSED ON 3 SIDES |  | SEF1/0                                   |
| Cons./Recom. | Pos./Posit.   | Ricambio/Replacement                           | Prezzo/Price List                        |
| *            | 00000109  | RC00000109 RESISTENZA ELETTRICA 2KW 230V       | HEATING ELEMENT 46,89                    |
|              | 00000209  | RC00000209 GRIGLIA CROMATA SEF 1               | CHROMIUM-PLATED GRID SEF1 35,97          |
|              | 00000401  | RC00000401 PIEDINO IN GOMMA SEF-TS-IR          | RUBBER FOOT 4,08                         |
|              | 00000409  | RC00000409 BACINELLA RAC.GRASSI SEF1           | DRIP TRAY 51,08                          |
|              | 00000609  | RC00000609 PANNELLO LATERALE SEF               | SIDE PANEL SEF 25,15                     |
|              | 00000909  | RC00000909 TONDINO SUPPORTO RESISTENZA SEF1    | HEATING ELEMENT SUPPORT BAR SEF1 5,19    |
|              | 00001209  | RC00001209 CIELO ESTERNO SEF1                  | EXTERNAL TOP PANEL SEF1 83,75            |
|              | 00004205  | RC00004205 IMPUGNATURA IN BAKELITE             | HANDLE 8,38                              |
|              | 00004808  | RC00004808 ARRESTO TELAIO                      | FRAME STOP 4,97                          |
| *            | 00012000  | RC00012000 REGOLATORE DI ENERGIA 220V          | ENERGY REGULATOR 23,94                   |
|              | 00241000  | RC00241000 PRESSACAVO PG16 CON DADO            | CABLE GLAND AND NUT 7,18                 |
|              | 00295000  | RC00295000 SUPPORTO MORSETTIERA SNACK          | SUPPORT FOR CONNECTING BLOCK SNACK 61,89 |
|              | 00296000  | RC00296000 MORSETTIERA MONOFASE                | CONNECTING BLOCK 6,62                    |
|              | 00304000  | RC00304000 MORSETTO EQUIPOTENZIALE COMPLETO    | EQUIPOTENTIAL CONNECTING BLOCK 6,62      |
|              | 00490000  | RC00490000 COPERCHIO RESISTENZE SEF1           | HEATING ELEMENTS SHIELD SEF1 16,94       |
|              | 00491000  | RC00491000 PANNELLO CHIUSURA SEF1              | LOCK PANEL SEF1 29,33                    |
| *            | 01782000  | RC01782000 LAMPADA SEGN.NEON FASTON VERDE 230V | GREEN NEON LAMP 230V 6,09                |
| *            | 01783000  | RC01783000 PORTALAMPADA TRASPARENTE D10        | TRANSPARENT LAMP HOLDER D10 5,30         |
|              | 01877000  | RC01877000 MANOPOLA ELETTRICA 0-6+INF NERA     | BLACK KNOB 8,44                          |
|              | 02075000  | RC02075000 MANOPOLA ELETTRICA 0-6+INF GRIGIA   | GREY KNOB 9,05                           |
|              | 02098000  | RC02098000 FONDO SEF1                          | SEF1 BOTTOM 56,80                        |