

Зип Общепит



**SPARE PARTS CATALOGUE  
ERSATZTEILKATALOG  
CATALOGUE PIECES DETACHEES  
CATALOGO PARTI RICAMBIO  
CATALOGO DE PIEZAS DE RECAMBIO  
CATALOGO PECÇAS DE REPOSICAO**

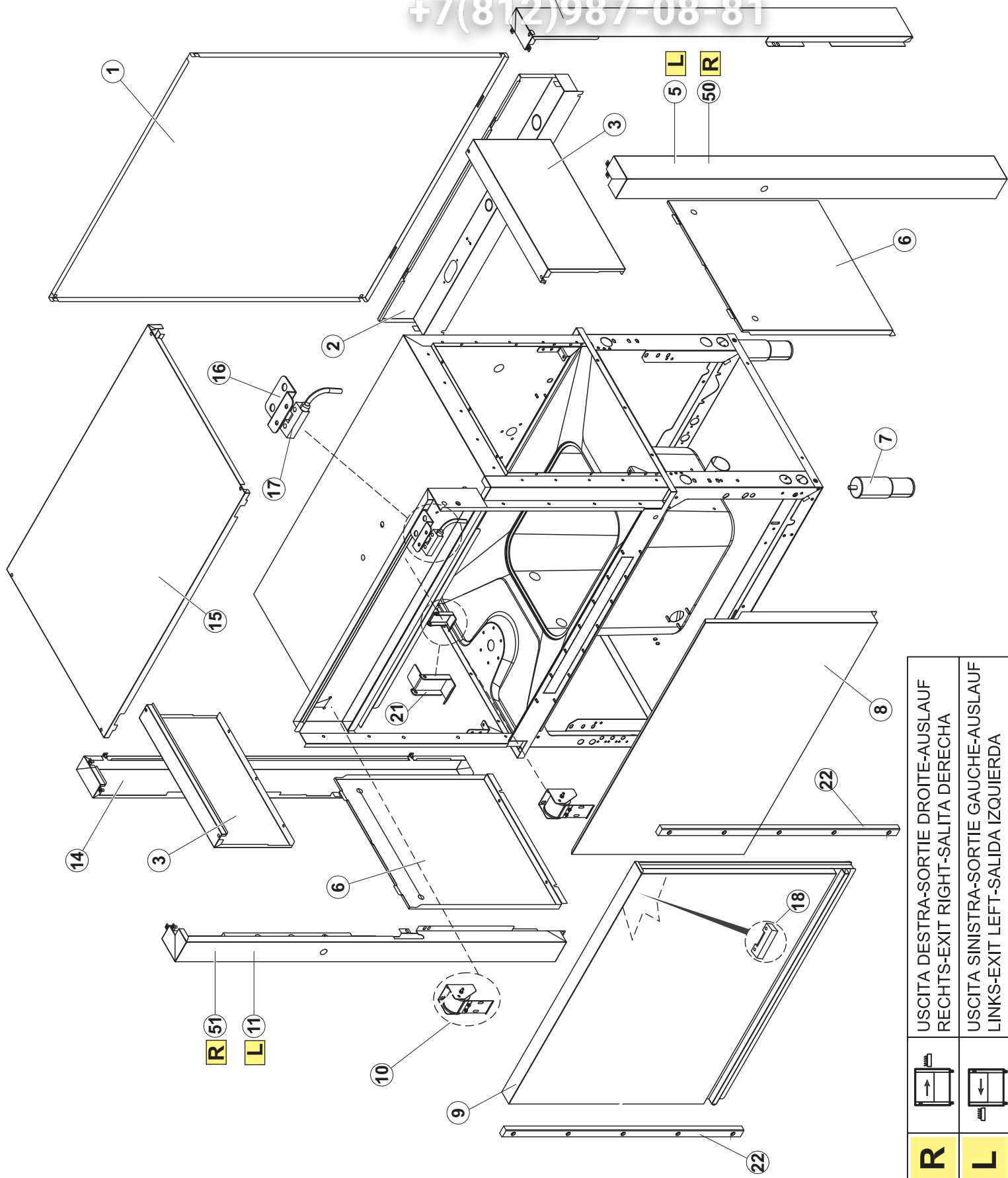
**ARC 100**

**15-11-2016**

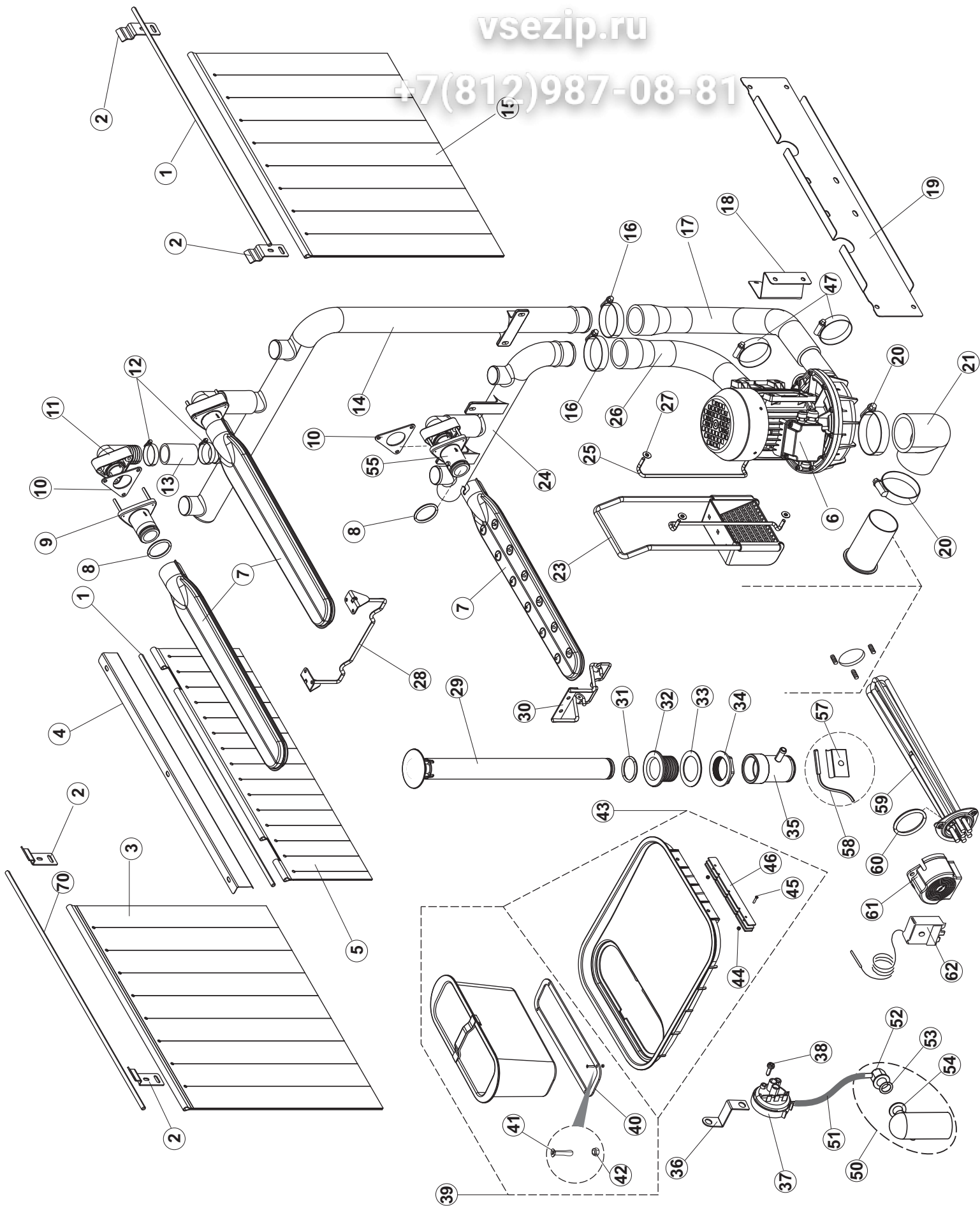
1  
Зип Общепит

vsezip.ru

+7(812)987-08-81



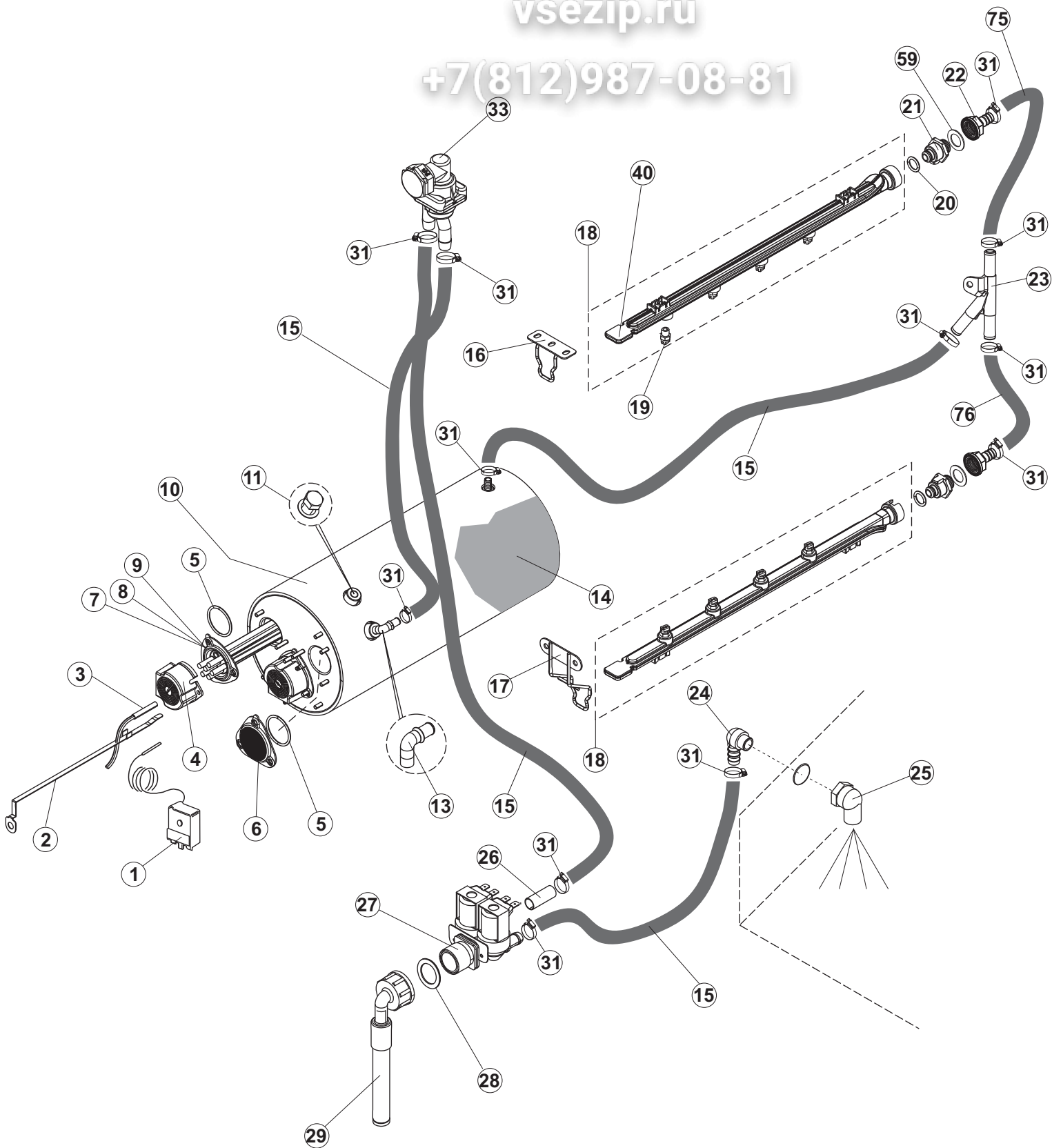
|          |  |   |
|----------|--|---|
| <b>R</b> |  | USCITA DESTRA-SORTIE DROITE-AUSLAUF<br>RECHTS-EXIT RIGHT-SALIDA DERECHA   |
| <b>L</b> |  | USCITA SINISTRA-SORTIE GAUCHE-AUSLAUF<br>LINKS-EXIT LEFT-SALIDA IZQUIERDA |



# 3 Zip Общепит

vsezip.ru

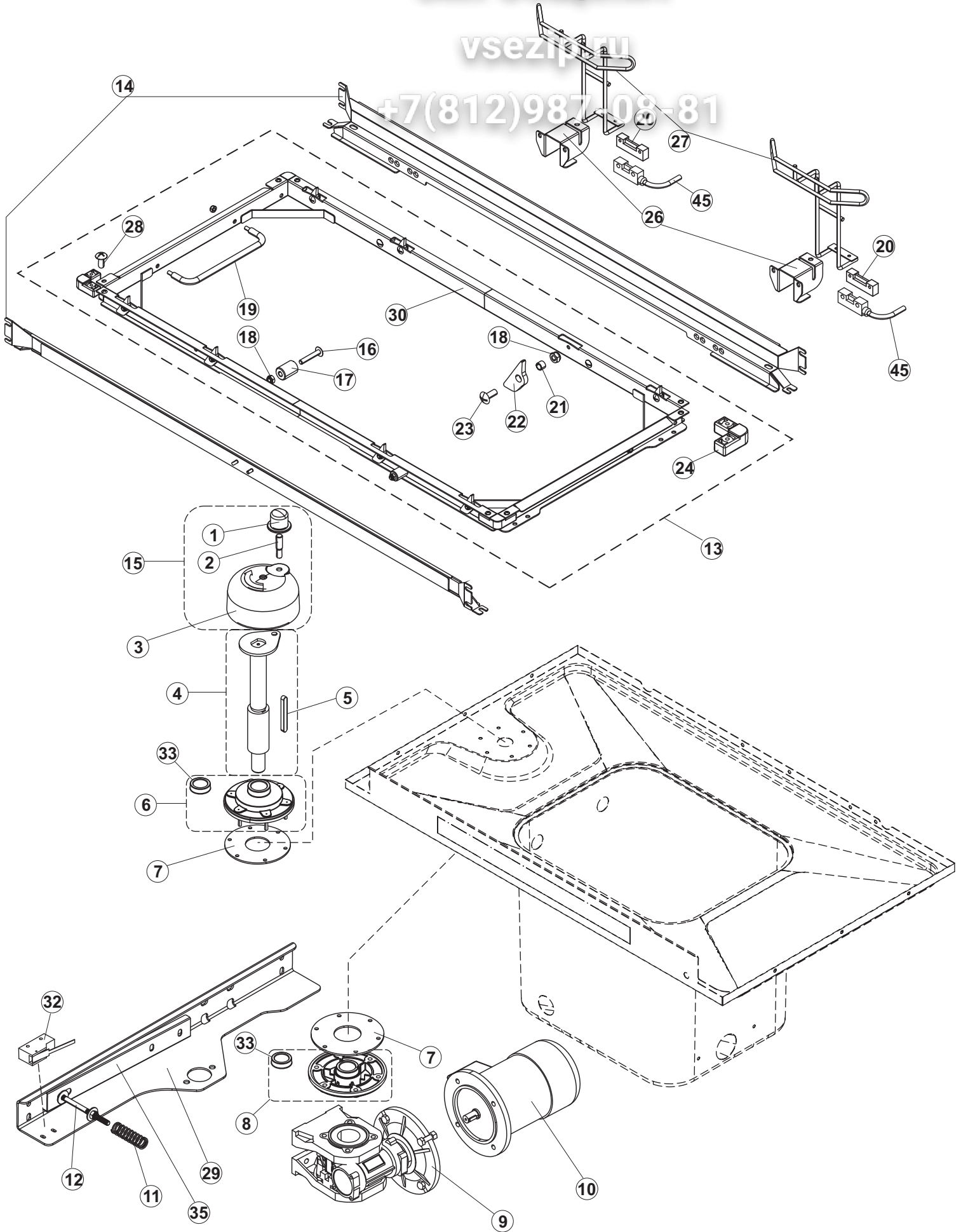
+7(812)987-08-81



# 4 Зип-Общепит

vsezip.ru

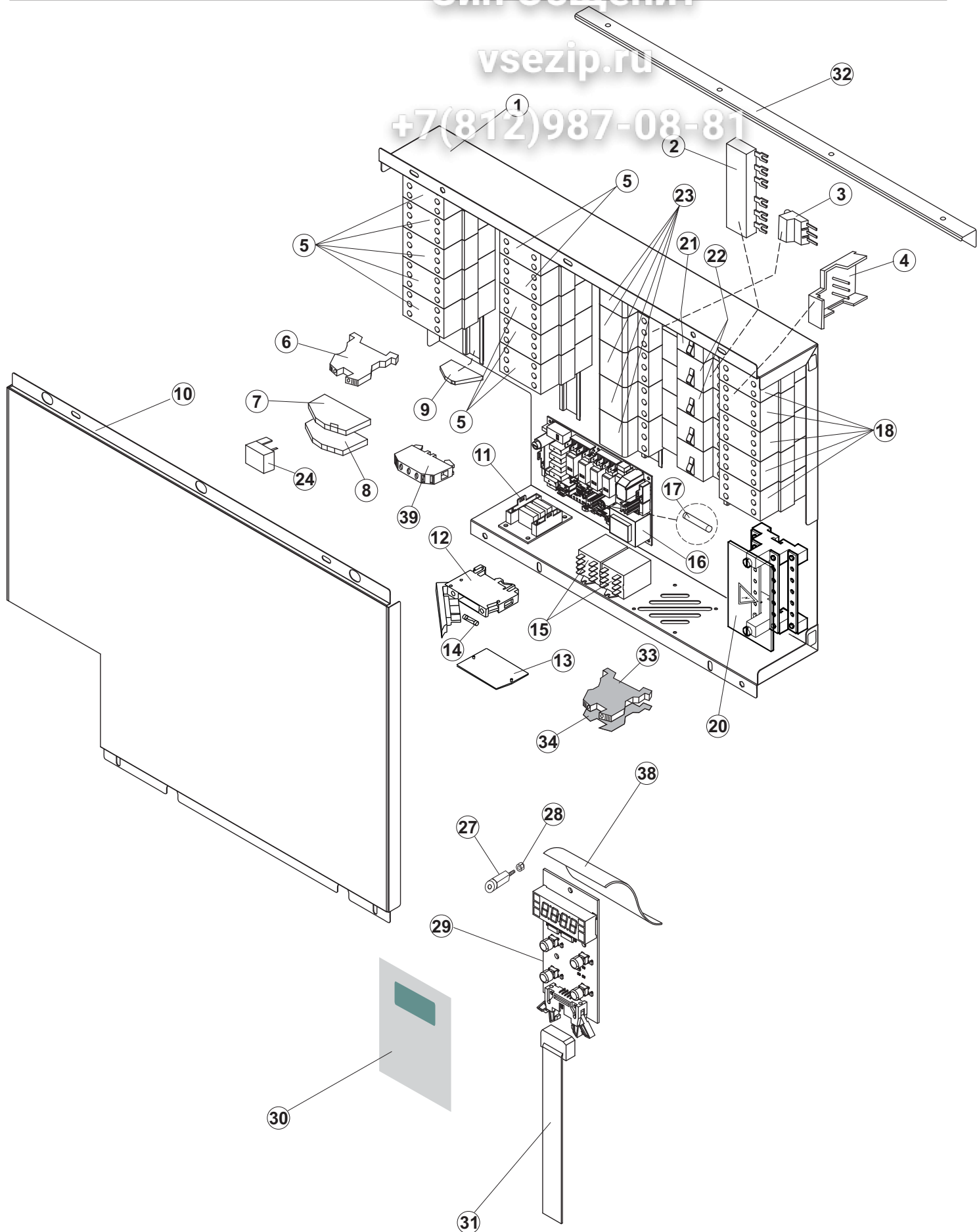
+7(812)987-08-81



# 5 Zip Общий

vsezip.ru

+7(812)987-08-81

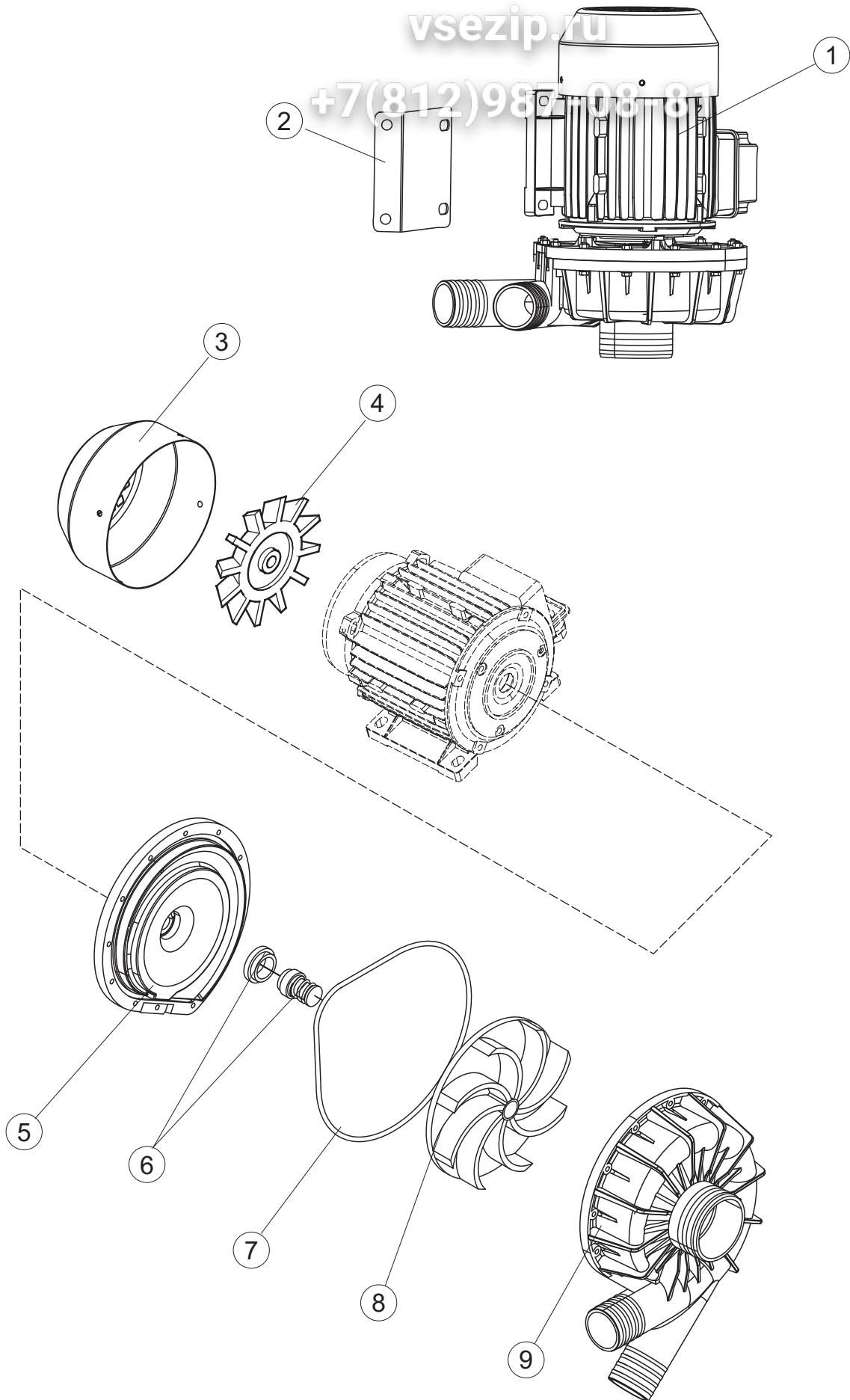




# 6 Zip Общепит

vsezip.ru

+7(812)987-08-81



(\*) Recommended spare part.

Зип Общепит

vsezip.ru

| Page | Spare part position | Spare part code no. | Old code number | Description                             | U.m. | Price euro |
|------|---------------------|---------------------|-----------------|---|------|------------|
| 1    | 1                   | 65244               |                 | NOT IN PRICE-LIST                       |      |            |
| 1    | 2                   | 65080               |                 | BACK PANEL                              | NR   | 64,81      |
| 1    | 3                   | 65035               |                 | FRONT PANEL                             | NR   | 53,21      |
| 1    | 4                   | 65258               |                 | CORNER REAR RIGHT PANEL                 | NR   | 96,59      |
| 1    | 5                   | 65337               |                 | supporting upright                      | NR   | 124,24     |
| 1    | 6                   | 65054               |                 | SIDE PANEL                              | NR   | 73,92      |
| 1    | 7                   | 73100               |                 | FOOT                                    | NR   | 19,98      |
| 1    | 8                   | 65066               |                 | FRONT PANEL TIPO C4-2 CPL               | NR   | 139,77     |
| 1    | 9                   | K65282              |                 | KIT DOOR WASH UNIT                      | NR   | 738,17     |
| 1    | 10                  | 65654               |                 | DOOR SPRING KIT                         | NR   | 180,02     |
| 1    | 11                  | 65338               |                 | CORNER FRONT RIGHT PANEL                | NR   | 105,18     |
| 1    | 14                  | 65259               |                 | CORNER REAR LEFT PANEL                  | NR   | 96,49      |
| 1    | 15                  | 65050               |                 | TOP PANEL                               | NR   | 140,28     |
| 1    | 16                  | 65256               |                 | BRACKET                                 | NR   | 5,07       |
| 1    | 17                  | 80871               |                 | MAGNETIC DOOR SWITCH                    | NR   | 21,54      |
| 1    | 18                  | 927088              | CWM7            | MAGNET FOR HOOD MICROSWITCH             | NR   | 14,58      |
| 1    | 21                  | 75064               |                 | DOOR SAFETY HOOK FOR RACK-CONVEYOR      | NR   | 18,06      |
| 1    | 22                  | 75647               |                 | SLIDES CONVEYOR DOOR                    | NR   | 11,84      |
| 1    | 50                  | 65337               |                 | supporting upright                      | NR   | 124,24     |
| 1    | 51                  | 65338               |                 | CORNER FRONT RIGHT PANEL                | NR   | 105,18     |
| 2    | 1                   | 75124               |                 | CURTAIN SUPPORT FOR RACK-CONVEYOR DISH- | NR   | 28,28      |
| 2    | 2                   | 65128               |                 | support bracket                         | NR   | 5,80       |
| 2    | 3                   | 65210               |                 | CURTAIN                                 | NR   | 155,94     |
| 2    | 4                   | 65162               |                 | CURTAIN SUPPORTING BRACKET              | NR   | 32,10      |
| 2    | 5                   | 65227               |                 | CURTAIN                                 | NR   | 64,19      |
| 2    | 6                   | 70100               |                 | WASHPUMP                                | NR   | 513,49     |
| 2    | 7                   | 65265               |                 | COMPLETE WASH ARM                       | NR   | 72,34      |
| 2    | 8                   | CGR4131NT           |                 | O-RING                                  | NR   | 3,80       |
| 2    | 9                   | 75645               |                 | CONNECTING ARM                          | NR   | 36,24      |
| 2    | 10                  | 437050              | REB437050       | GASKET                                  | NR   | 2,40       |
| 2    | 11                  | 75155               |                 | PIPE FITTING                            | NR   | 10,51      |
| 2    | 12                  | CFS32               |                 | NOT IN PRICE-LIST                       |      |            |



(\*) Recommended spare part.

Зип Ощепит

vsezip.ru

| Page | Spare part position | Spare part code no. | Old code number | Description                         | U.m. | Price euro |
|------|---------------------|---------------------|-----------------|-------------------------------------|------|------------|
| 2    | 13                  | 75154               |                 | DELIVERY WASH HOSE                  | NR   | 9,22       |
| 2    | 14                  | 65177               |                 | PIPE                                | NR   | 57,17      |
| 2    | 15                  | 65210               |                 | CURTAIN                             | NR   | 155,94     |
| 2    | 16                  | CFS2                |                 | CLAMP, TORRO W1/W2B 50-70/12        | NR   | 6,44       |
| 2    | 17                  | 65624               |                 | PIPE                                | NR   | 55,36      |
| 2    | 18                  | 65326               |                 | support bracket                     | NR   | 15,00      |
| 2    | 19                  | 65330               |                 | BRACKET                             | NR   | 54,92      |
| 2    | 20                  | CFS3                |                 | CLAMP, HOSE-TYPE TORRO W2B 60-80/12 | NR   | 9,06       |
| 2    | 21                  | 926056              | DZG461          | PIPE ELBOW                          | NR   | 29,24      |
| 2    | 23                  | 75661               |                 | PUMP ASPIRATION FILTER              | NR   | 26,11      |
| 2    | 24                  | K65176              |                 | PIPE + PARZ.77018                   | NR   | 56,41      |
| 2    | 25                  | 42092               | C.42092         | ASPIRATION FILTER SLIDE             | NR   | 36,24      |
| 2    | 26                  | 65623               |                 | PIPE                                | NR   | 60,79      |
| 2    | 27                  | 472061              |                 | WASHER                              | NR   | 2,88       |
| 2    | 28                  | 65293               |                 | BRACKET                             | NR   | 48,00      |
| 2    | 29                  | 75864               |                 | OVERFLOW PIPE                       | NR   | 31,55      |
| 2    | 30                  | 75105               |                 | support bracket                     | NR   | 40,62      |
| 2    | 31                  | CGR4131NT           |                 | O-RING                              | NR   | 3,80       |
| 2    | 32                  | 75871               |                 | DRAIN CONNECTION                    | NR   | 19,04      |
| 2    | 33                  | 75873               |                 | GASKET                              | NR   | 2,95       |
| 2    | 34                  | 75872               |                 | NUT WASTE DRAIN                     | NR   | 11,23      |
| 2    | 35                  | 75639               |                 | DRAIN FITTING (PLASTIC)             | NR   | 26,11      |
| 2    | 36                  | DAS20206            |                 | NOT IN PRICE-LIST                   |      |            |
| 2    | 37                  | 926049              | DEP45           | PRESSURE SWITCH                     | NR   | 27,61      |
| 2    | 38                  | CVZ4                |                 | SCREW                               | NR   | 0,69       |
| 2    | 39                  | 75429               |                 | COLLECTING FILTER WITH WEIGHT       | NR   | 80,58      |
| 2    | 40                  | 75428               |                 | WEIGHT FOR BASKET STAINER           | NR   | 33,47      |
| 2    | 41                  | CVI1101             |                 | SCREW, INOX 4MAX10 TC/CROSS         | NR   | 1,25       |
| 2    | 42                  | 417091              |                 | NUT - SELF-LOCK                     | NR   | 1,23       |
| 2    | 43                  | 75515               |                 | STAINER                             | NR   | 63,70      |
| 2    | 44                  | 417091              |                 | NUT - SELF-LOCK                     | NR   | 1,23       |
| 2    | 45                  | 75513               |                 | NOT IN PRICE-LIST                   |      |            |

(\*) Recommended spare part.

Зип Ощепит

vsezip.ru

| Page | Spare part position | Spare part code no. | Old code number | Description                             | U.m. | Price euro |
|------|---------------------|---------------------|-----------------|---|------|------------|
| 2    | 46                  | 75514               |                 | NOT IN PRICE-LIST                       |      |            |
| 2    | 47                  | CFS1A               |                 | HOSE CLAMP                              | NR   | 4,22       |
| 2    | 50                  | 984005              | REB984005       | AIR TRAP, ASSY                          | NR   | 14,17      |
| 2    | 51                  | 143005              | SPG10           | LINEN RUBBER PIPE 5X12 - BLACK          | MT   | 12,27      |
| 2    | 52                  | 468029              | REB468029       | AIR TRAP CONNECTION OF PRESSURE SWITCH  | NR   | 2,26       |
| 2    | 53                  | 456020              | REB456020       | O-ring                                  | NR   | 1,23       |
| 2    | 54                  | 437019              | REB437019       | PACKING FOR AIR TRAP OF PRESSURE SWITCH | NR   | 1,23       |
| 2    | 55                  | 75648               |                 | CONNECTING ARM                          | NR   | 36,24      |
| 2    | 57                  | H.775489-001        |                 | Support temperature probe               | NR   | 5,18       |
| 2    | 58                  | 231016              |                 | TEMPERATURE PROBE                       | NR   | 28,18      |
| 2    | 59                  | 80397               |                 | HEATING ELEMENT 10500W 230/400V         | NR   | 131,35     |
| 2    | 60                  | 456002              | REB456002       | O-ring                                  | NR   | 1,23       |
| 2    | 61                  | 69870               |                 | BOILER HEATING ELEMENT PROTECTION       | NR   | 3,81       |
| 2    | 62                  | 927057              |                 | THERMOSTAT                              | NR   | 37,94      |
| 2    | 70                  | 77121               |                 | CURTAIN SUPPORT FOR RACK-CONVEYOR DISH- | NR   | 34,68      |
| 3    | 1                   | 927057              |                 | THERMOSTAT                              | NR   | 37,94      |
| 3    | 2                   | 69871               |                 | PROBE HOLDER                            | NR   | 11,04      |
| 3    | 3                   | 231016              |                 | TEMPERATURE PROBE                       | NR   | 28,18      |
| 3    | 4                   | 69870               |                 | BOILER HEATING ELEMENT PROTECTION       | NR   | 3,81       |
| 3    | 5                   | 456002              | REB456002       | O-ring                                  | NR   | 1,23       |
| 3    | 6                   | 926053              | DWT100          | CLOSED FLANGE CAP (170880543)           | NR   | 12,18      |
| 3    | 7                   | 230083C             | REB230083C      | HEATING ELEMENT 6KW                     | NR   | 81,61      |
| 3    | 8                   | 230020C             | REB230020C      | KIT HEATING ELEMENTS REB230020 (8KW)    | NR   | 86,39      |
| 3    | 9                   | 80398C              | C.80398C        | READY-TO-ASSEMBLE KIT FOR HEATING       | NR   | 121,70     |
| 3    | 10                  | 65700               |                 | BOILER                                  | NR   | 289,68     |
| 3    | 11                  | 65875               |                 | CAP CHROME-PLATED BRASS                 | NR   | 3,11       |
| 3    | 13                  | K65271              |                 | WATER INLET PIPE FITTING                | NR   | 17,42      |
| 3    | 14                  | 65245               |                 | COVER INSULATION                        | NR   | 32,53      |
| 3    | 15                  | 143010              | SPG61           | RUBBER PIPE 12X19,5                     | MT   | 12,25      |
| 3    | 16                  | 65582               |                 | BRACKET                                 | NR   | 26,78      |
| 3    | 17                  | 65588               |                 | support bracket RINSE ARM               | NR   | 32,63      |
| 3    | 18                  | 65786               |                 | RINSE ARM                               | NR   | 150,00     |

(\*) Recommended spare part.

Зип Общепит

vsezip.ru

| Page | Spare part position | Spare part code no. | Old code number | Description                             | U.m. | Price euro |
|------|---------------------|---------------------|-----------------|---|------|------------|
| 3    | 19                  | 65950               |                 | STAINLESS STEEL RINSE SPRAY NOZZLE      | NR   | 18,13      |
| 3    | 20                  | 65727               |                 | O-RING 2050 T2.42X1.78 EPDM 70SH A      | NR   | 0,54       |
| 3    | 21                  | 65728               |                 | PIPE FITTING                            | NR   | 3,85       |
| 3    | 22                  | 65745               |                 | UNION TEE                               | NR   | 5,70       |
| 3    | 23                  | H.882974-001        |                 | MAINFOLD                                | NR   | 14,10      |
| 3    | 24                  | 929163              | DZR2622         | BRASS RUBBER-PIPE HOLDER CONNECTION 3/8 | NR   | 21,93      |
| 3    | 25                  | 927013              | SSR37           | ELBOW BRASS CONNECTION 3/8X12 -WELDED   | NR   | 23,76      |
| 3    | 26                  | 75835               |                 | FLOW REDUCER                            | NR   | 3,12       |
| 3    | 27                  | 929172              |                 | SOLENOID VALVE                          | NR   | 25,12      |
| 3    | 28                  | 437041              | REB437041       | GASKET                                  | NR   | 1,48       |
| 3    | 29                  | 143270              |                 | INLET WRAS PIPE                         | NR   | 7,00       |
| 3    | 31                  | 927322              | CFS14           | HOSE CLAMP                              | NR   | 3,02       |
| 3    | 33                  | 144010NT            | REB144010NT     | non-return valve                        | NR   | 15,12      |
| 3    | 40                  | 65545               |                 | RINSE ARM                               | NR   | 63,46      |
| 3    | 59                  | 65749               |                 | GASKET ES/AM VERDE 33X21X1,5            | NR   | 0,85       |
| 3    | 75                  | 65747-A             |                 | RINSE PIPE L 200 RACC 90°               | NR   | 15,84      |
| 3    | 76                  | 65747-B             |                 | RINSE PIPE L 380 RACC 90°               | NR   | 15,84      |
| 4    | 1                   | 75058               |                 | WASHER                                  | NR   | 15,65      |
| 4    | 2                   | 75234               |                 | PIVOT                                   | NR   | 11,09      |
| 4    | 3                   | 75649               |                 | SPLASH PROTECTION                       | NR   | 17,40      |
| 4    | 4                   | 65235               |                 | GEAR SHAFT CONVEYOR                     | NR   | 133,75     |
| 4    | 5                   | 65235C              |                 | GEARED MOTOR KEY                        | NR   | 25,35      |
| 4    | 6                   | K75141              |                 | UPPER FLANGE SHAFT CONVEYOR             | NR   | 65,66      |
| 4    | 7                   | 75168               |                 | GASKET                                  | NR   | 6,11       |
| 4    | 8                   | K75057              |                 | LOWER BUSH & SEAL                       | NR   | 58,63      |
| 4    | 9                   | 65923               |                 | GEARMOTOR SW050PA MEC71B5 I=50          | NR   | 688,15     |
| 4    | 10                  | 927104              | DPM120          | MOTOR 180W V 230/400                    | NR   | 395,88     |
| 4    | 11                  | CMT13               |                 | SPRING                                  | NR   | 4,50       |
| 4    | 12                  | 60354               |                 | SCREW                                   | NR   | 26,44      |
| 4    | 13                  | 75869               |                 | RACK CONVEYOR                           | NR   | 318,33     |
| 4    | 14                  | K65024              |                 | RACK SLIDE RACKCONVEYOR ONLY SPARE PART | NR   | 100,32     |
| 4    | 15                  | K75649              |                 | KIT PROTECTIVE PLATE OF SPLASHING WATER | NR   | 71,26      |

(\*) Recommended spare part.

Зип Общепит

vsezip.ru

| Page | Spare part position | Spare part code no. | Old code number | Description                              | U.m. | Price euro |
|------|---------------------|---------------------|-----------------|--|------|------------|
| 4    | 16                  | 75310               |                 | SCREW                                    | NR   | 0,34       |
| 4    | 17                  | 75076               |                 | BUFFER FOR DRIVE STOP                    | NR   | 3,75       |
| 4    | 18                  | CDI206AU            |                 | NUT - SELF-LOCK                          | NR   | 1,47       |
| 4    | 19                  | 75073               |                 | RACK CONVEYOR HANDLE                     | NR   | 57,66      |
| 4    | 20                  | 927088              | CWM7            | MAGNET FOR HOOD MICROSWITCH              | NR   | 14,58      |
| 4    | 21                  | 75077               |                 | BUSH                                     | NR   | 7,66       |
| 4    | 22                  | 75071               |                 | RACK CONVEYOR COG                        | NR   | 15,99      |
| 4    | 23                  | CVI172              |                 | SCREW, INOX SPEC.6MAX16 T.1/2 T. POELIER | NR   | 1,50       |
| 4    | 24                  | 75075               |                 | sled cart towing                         | NR   | 5,07       |
| 4    | 25                  | 65022               |                 | NOT IN PRICE-LIST                        |      |            |
| 4    | 26                  | 75110               |                 | BRACKET ECONOMIZER                       | NR   | 12,21      |
| 4    | 27                  | 75095               |                 | OPERATED RINSING LEVER                   | NR   | 49,83      |
| 4    | 28                  | 486169              | REB486169       | STAINLESS STEEL SCREW 4MAX10 TBCR-SP     | NR   | 2,58       |
| 4    | 29                  | 65217               |                 | NOT IN PRICE-LIST                        |      |            |
| 4    | 30                  | 75868               |                 | TOWING RACK                              | NR   | 218,17     |
| 4    | 32                  | 927246              | DEM11NT         | MICROSWITCH                              | NR   | 33,69      |
| 4    | 33                  | 927095              | DWA202          | SEAL RING MIM 30X40X7 (MIM 30407)        | NR   | 15,76      |
| 4    | 35                  | 75218               |                 | support bracket                          | NR   | 14,32      |
| 4    | 45                  | 80871               |                 | MAGNETIC DOOR SWITCH                     | NR   | 21,54      |
| 5    | 1                   | 65680               |                 | PANEL FOR ELECTRICAL COMPONENTS          | NR   | 133,06     |
| 5    | 2                   | 80829               |                 | BAR ELECTRICAL CONNECTION                | NR   | 37,51      |
| 5    | 3                   | 80826               |                 | POWER CONNECTOR                          | NR   | 58,54      |
| 5    | 4                   | 73830               |                 | CONNECTOR                                | NR   | 22,85      |
| 5    | 5                   | 73351               |                 | CONTACTOR                                | NR   | 87,03      |
| 5    | 6                   | 927115              | DEM4L           | TERMINAL BLOCK                           | NR   | 12,34      |
| 5    | 7                   | 80822               |                 | TERMINAL                                 | NR   | 3,80       |
| 5    | 8                   | 80824               |                 | TERMINAL                                 | NR   | 1,11       |
| 5    | 9                   | 75817               |                 | ELECTRICAL CONNECTOR FOR U-SHAPED BAR    | NR   | 2,69       |
| 5    | 10                  | 65683               |                 | COVER                                    | NR   | 33,33      |
| 5    | 11                  | 74903               |                 | MAIN BOARD                               | NR   | 93,45      |
| 5    | 12                  | H.228047            |                 | FUSE-HOLDER                              | NR   | 18,91      |
| 5    | 13                  | H.228048            |                 | PLUG                                     | NR   | 3,84       |

(\*) Recommended spare part.

Зип Ощепит

vsezip.ru

| Page | Spare part position | Spare part code no. | Old code number | Description   | U.m. | Price euro |
|------|---------------------|---------------------|-----------------|---|------|------------|
| 5    | 14                  | 228014              |                 | FUSE  | NR   | 0,71       |
| 5    | 15                  | 929115              | DER1108         | RELAY 16A 230V                                      | NR   | 35,50      |
| 5    | 16                  | 215042-2            |                 | MAIN BOARD 215042+ FIRMWARE26(FW_0_XXA.Q014)        | NR   | 194,83     |
| 5    | 17                  | 228010              |                 | FUSE  | NR   | 1,40       |
| 5    | 18                  | 73350               |                 | CONTACTOR   | NR   | 45,69      |
| 5    | 20                  | 75983               |                 | TERMINAL BLOCK                                      | NR   | 180,91     |
| 5    | 21                  | DEI40N              |                 | automatic switch                                    | NR   | 146,66     |
| 5    | 22                  | DEI36N              |                 | AUTOMATIC SWITCH                                    | NR   | 146,66     |
| 5    | 23                  | 927038              | DEP2F           | FUSE-HOLDER - TRIPOLAR GK1-DF                       | NR   | 60,68      |
| 5    | 24                  | 80825               |                 | JUMPER  | NR   | 4,37       |
| 5    | 27                  | 419036              |                 | INTERFACE BOARD DISTANCE KEEPERS                    | NR   | 8,24       |
| 5    | 28                  | 417119              |                 | NUT   | NR   | 1,74       |
| 5    | 29                  | 74901               |                 | CONTROL KEYBOARD                                    | NR   | 53,04      |
| 5    | 30                  | 66740               |                 | CONTROL ADHESIVE INTERFACE MOD. TRAINO ARC100 APACH | NR   | 31,06      |
| 5    | 31                  | 80934               |                 | FLAT CABLE  | NR   | 17,45      |
| 5    | 32                  | 65491               |                 | BRACKET   | NR   | 28,37      |
| 5    | 33                  | 65980               |                 | TERMINAL  | NR   | 24,00      |
| 5    | 34                  | 65981               |                 | PLUG  | NR   | 3,09       |
| 5    | 38                  | 214088              |                 | PVC CURTAIN FOR ELECTRIC PROTECTION                 | NR   | 17,05      |
| 5    | 39                  | 927114              | DEM27           | TERMINAL BLOCK                                      | NR   | 33,28      |
| 6    | 1                   | 70100               |                 | WASHPUMP  | NR   | 513,49     |
| 6    | 2                   | 70105               |                 | BRACKET   | NR   | 18,28      |
| 6    | 3                   | 70940               |                 | ELECTROPUMP FAN COVER                               | NR   | 41,78      |
| 6    | 4                   | 70939               |                 | WASHPUMP FUN  | NR   | 21,77      |
| 6    | 5                   | 70941               |                 | FLANGE  | NR   | 95,08      |
| 6    | 6                   | 70942               |                 | WASHPUMP SHAFT SEAL                                 | NR   | 47,26      |
| 6    | 7                   | 70943               |                 | O-RING  | NR   | 30,67      |
| 6    | 8                   | 70944               |                 | ELECTROPUMP IMPELLER                                | NR   | 42,22      |
| 6    | 9                   | 70945               |                 | ELECTROPUMP HOUSING                                 | NR   | 62,02      |