

Зип Общепит
vsezip.ru
+7(812)987-08-81

Icematic®

Spare parts list • *Catalogo ricambi*
Catalogues pièces détachées



Cod. 71503398/0 - 12/2006

N25S - N35S - N45S

R134a

Зип Общепит

vsezip.ru

+7(812)987-08-81

COMPONENTISTICA A VOLTAGGIO SPECIALE 220/60 HZ / SPECIAL VOLTAGE 220/60 HZ COMPONENTS										
GAS	MODELLO MODEL	COMPRESSORE COMPRESSOR	MOTO RIDUTTORE PALETTE PADDEL MOTOR	MOTORID. RIBALTAMENTO HARVEST MOTOR	VENTILATORE U.C. FAN MOTOR	VENTOLE FAN	CONDENS. SPUNTO START CAPACITOR	CARICA GAS CHARGE	CAPILLARE CAPILLAR	
GAS R134	N25S	AZ 4414Y COD.19165545/0	19440067/0	19440074/0	-	-	-	-	-	
	N35S	UHAEZ4430Y 19165560/0	19440067/0	19440074/0	-	-	-	-	-	
	N45S	AEZ 4430Y 19165560/0	19440067/0	-	18562498/0	18740026/0	-	-	-	

Зип Общепит
vsezip.ru

+7(812)987-08-81

+7(812)987-08-81

HOW TO ORDER SPARE PARTS

In order to avoid expensive delays or mistakes by delivery, when you order spare parts, be sure to have indicated the right code-number, the complete description you can find on the list and the quantity for each requested part. Please also include the name of the model for which the spare parts are requested and its own serial number.

COME ORDINARE LE PARTI DI RICAMBIO

Al fine di evitare costosi ritardi od errori nella spedizione, quando ordinate le parti di ricambio, accertatevi di indicare il numero di codice, la descrizione completa che trovate sull'elenco e la quantità per ogni parte di ricambio richiesta. Includere inoltre il nome del modello per cui sono richieste le parti di ricambio ed il suo numero di serie.

COMMENT COMMANDER LES PIÈCES DETACHÉES

Pour éviter des retards coûteux ou des erreurs dans la livraison, au moment de commander les pièces détachées nous vous prions de bien vouloir vous assurer d'avoir indiqué la référence, la description complète que vous trouvez dans la liste et la quantité pour chaque pièce détachée demandée. Inclure en outre le nom du modèle pour lequel les pièces sont demandées et le numéro de série.

WIE DIE ERSATZTEILE BESTELLT WERDEN SOLLEN

Um Fehl-b.z.w. verspätete Lieferungen zu vermeiden, geben Sie bei den Ersatzteilbestellungen die Kodenummer an. Volle Beschreibung wie in Katalog ersichtlich und Menge für sämtliche bestellte Ersatzteile sollten ebenfalls eingegeben werden. Schließlich die bestellten Ersatzteile entsprechende Seriennummer hinweisen.

Зип Общепит
vsezip.ru
+7(812)987-08-81

Icematic®

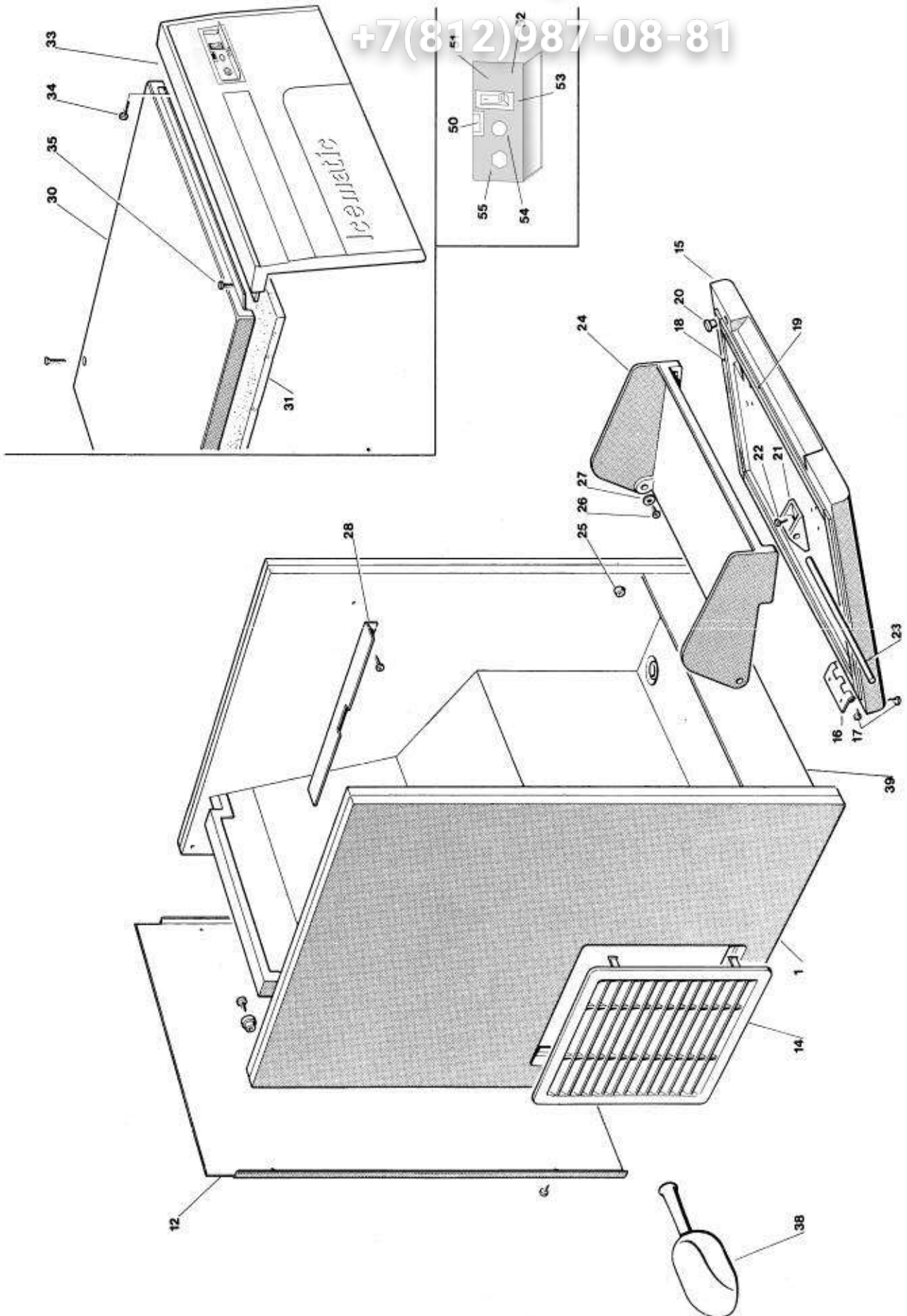
Spare parts list • *Catalogo ricambi*
Catalogues pièces détachées



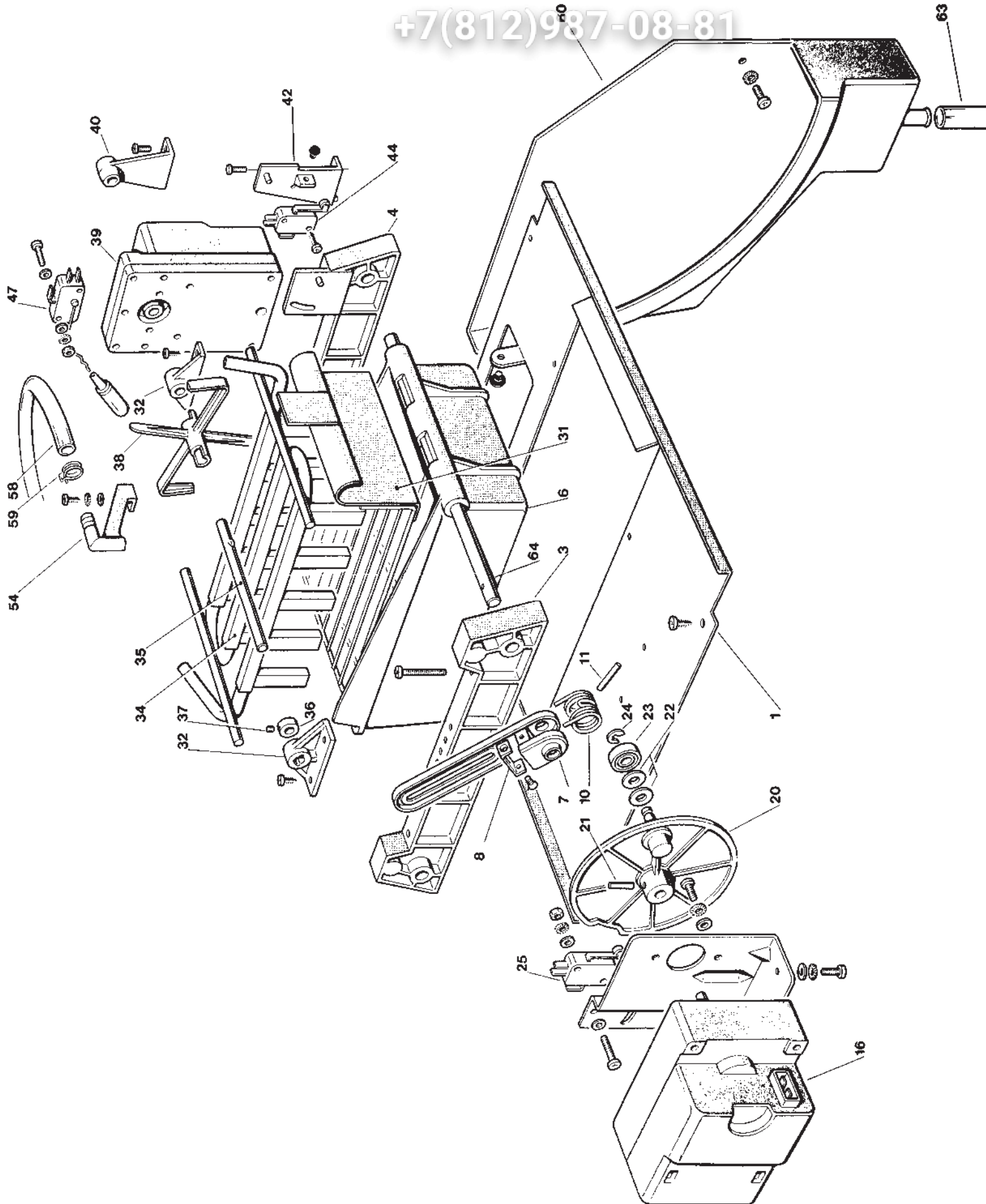
Cod. 71503398/0 - 12/2006

N25S

R134a

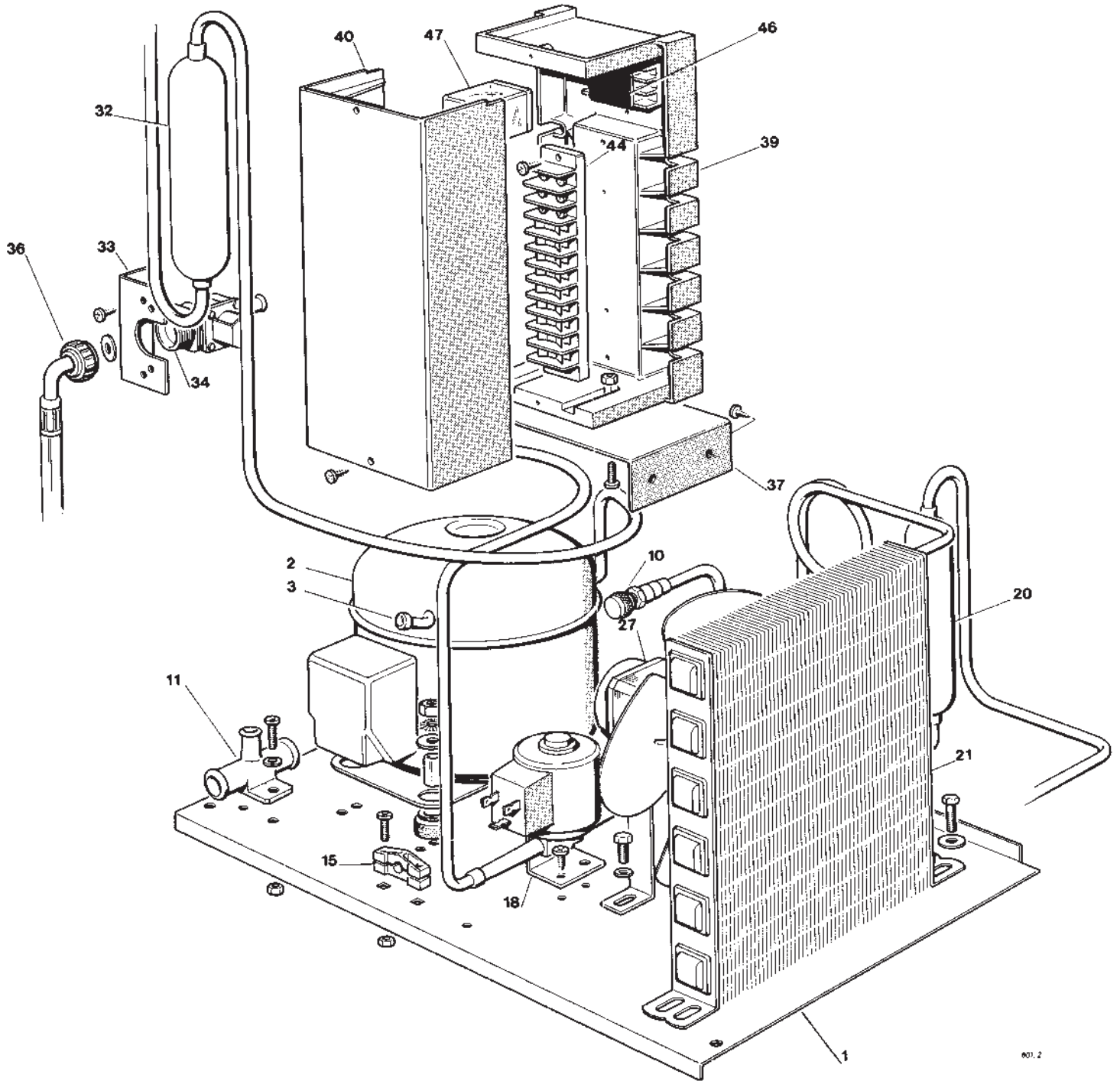


Pos. Nr.	Codice Code	Descrizione	Description	Description	Quantità Q.ty Q.te
1	81400710/0	ASSIEME MOBILE	CABINET ASS'Y	ENSEMBLEMEUBLE	1
1A	81400711/0	ASSIEME MOBILE INOX	CABINET ASS'Y INOX	ENSEMBLEMEUBLE INOX	1
12	81401513/0	PANNELLO POSTERIORE	BACK PANEL	PANNEAU ARRIERE	1
12A	81401514/0	PANNELLO POSTERIORE INOX	BACK PANEL INOX	PANNEAU ARRIERE INOX	1
14	25610076/0	PRESA D'ARIA	AIR INTAKE	PRISE D'AIR	2
14A	25610078/0	PRESA D'ARIA INOX	AIR INTAKE INOX	PRISE D'AIR INOX	2
15	81401649/0	ASS. PORTA	COMPLETE DOOR	PORTE COMPLETE	1
15A	25600187/0	PORTA N25S	DOOR	PORTE	1
16	19120050/0	CERNIERA	HINGE	CHARNIERE	2
18	25620413/0	GUARNIZIONE	GASKET	GARNITURE	2
19	25620417/0	GUARNIZIONE	GASKET	GARNITURE	2
20	41109519/0	MAGNETE	MAGNET	MAGNETO	2
21	25726279/0	SUPPORTO	SUPPORT	SUPPORT	2
23	25085096/0	ALBERINO	SHAFT	ARBRE	1
24	25250099/0	DEFLETTORE	DEFLECTOR	DEFLECTEUR	1
28	25725436/0	SUPPORTO	SUPPORT	SUPPORT	2
30	25161039/0	COPERCHIO	COVER	COUVERCLE	1
30A	25161040/0	COPERCHIO INOX	COVER INOX	COUVERCLE INOX	1
31	25550179/0	ISOLANTE	INSULATOR	ISOLANT	1
33	25175525/0	CRUSCOTTO	FRONT PANEL	PANNEAU FRONTAL	1
37	25740061/0	TARGHETTA DI DEN. BLU NOTTE	LABEL BLU VERSION	PLAQUETTE	1
37A	25740062/0	TARGHETTA DI DEN. INOX	ICE SCOOP INOX VERSION	PALLE A GLACE	1
38	19500100/0	PALETTA	ICE SCOOP	PALLE A GLACE	1
39	25470038/0	MASCHERINA	PANEL	PANNEAU	1
39A	25470039/0	MASCHERINA INOX	PANEL INOX	PANNEAU INOX	1
50	19120434/0	CHIUSURA PUSH	PUSH LOCK	FERMETURE "PUSH"	1
51	33400053/0	INTERRUTTORE LUM. VERDE	GREEN LIGHT SWITHC	INTERRUPTEUR LUMINEUX VERT	1
52	25570459/0	PIASTRA SUPP. COM.I AIR VERSION	CONTROL SUP. PLATE FOR AIR COOLED VERS.	PLAQUE SUPPORT COMMANDES - VERS. AVEC COND. À AIR	1
52A	25570460/0	PIASTRA SUPP. COM. WATER VERS.	CONTROL SUP. PLATE FOR WATER COOLED VERS.	PLAQUE SUPPORT COMMANDES - VERS. AVEC COND. À EAU	1
53	25161138/0	COPERCHIO COMANDI	COVER BOX CONTROL	COUVERCLE	1
54	33470507/0	SPIA LUMINOSA ROSSA	RED LIGHT ALLARM	ALARME LUMINEUX ROUGE	1
56	25352500/0	FRONTALINO PER VERSIONE BLU	FRONTAL PANEL FOR BLUE VERS.	PETIT PANNEAU FRONTAL VERSION BLEUE	1
56A	25352501/0	FRONTALINO PER VERSIONE INOX	FRONTAL PANEL FOR STAINLESS STEEL VERS.	PETIT PANNEAU FRONTAL VERSION INOX	1



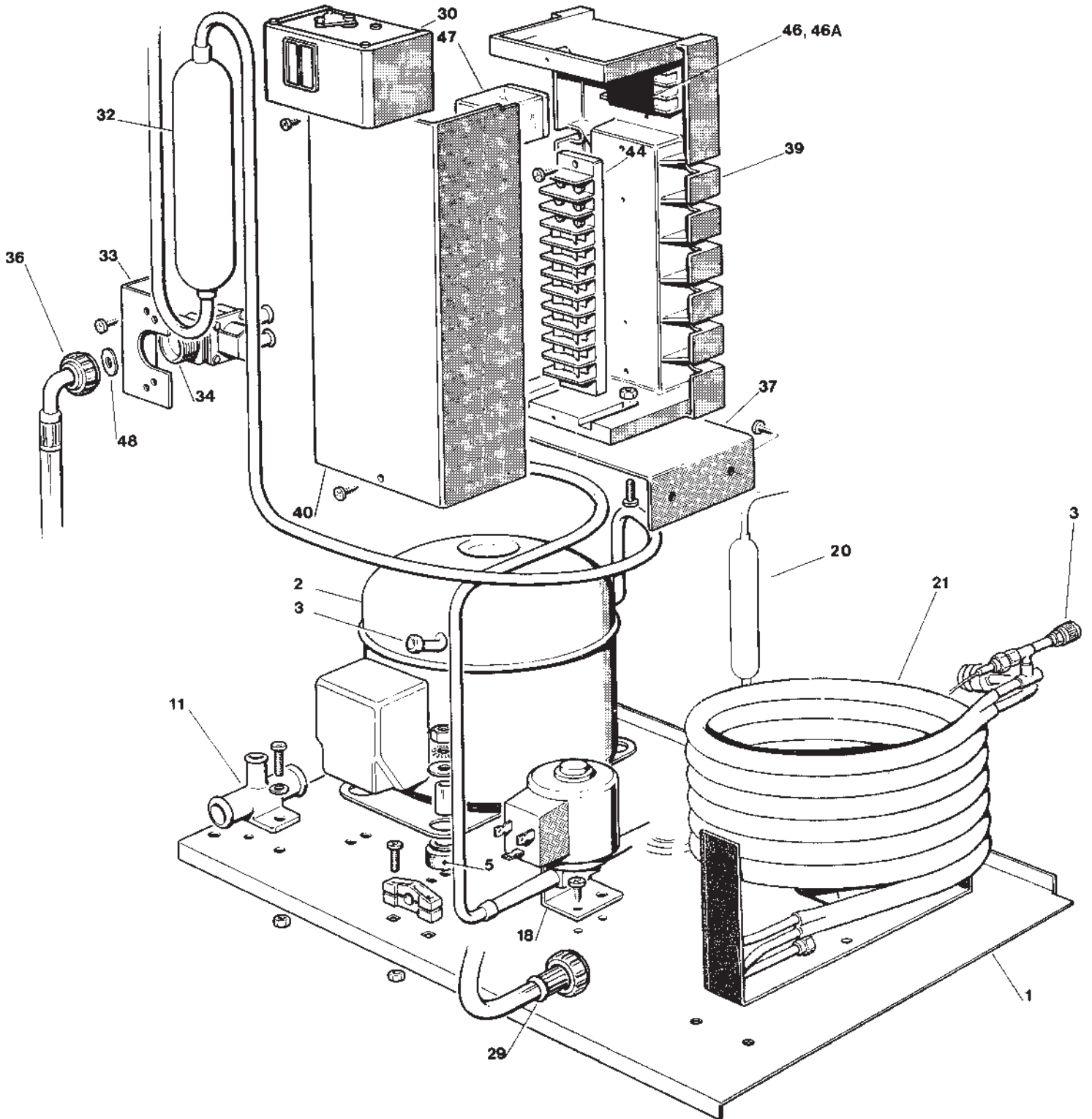
+7(812)987-08-81

Pos. Nr.	Codice Code	Descrizione	Description	Description	Quantità Q.ty Q.te
1	25745124/0	TELAIO EVAPORATORE	EVAPORATOR FRAME	PLAQUE SUPPORT EVAPORATEUR	1
1A	25745127/0	TELAIO EVAPORATORE (DA APRILE 2000)	EVAPORATOR FRAME (FROM APRIL 2000)	PLAQUE SUPPORT EVAPORATEUR (DEPUIS AVRIL 2000)	1
3	25726121/0	SUPPORTO EVAPORATORE	SUPPORT	SUPPORT	1
4	25726122/0	SUPPORTO EVAPORATORE	SUPPORT	SUPPORT	1
6	81403005/0	BACINELLA CON LEVERAGGI	COMPLETE TILTING PAN	BAC COMPLETE	1
6A	81401621/0	BACINELLA CON LEVERAGGI (DA APRILE 2000)	COMPLETE TILTING PAN (FROM APRIL 2000)	BAC COMPLETE (DEPUIS AVRIL 2000)	1
7	25440110/0	LEVA	LEVER	LEVIER	1
8	25325953/1	PIASTRINA	STOP PLATE	PLAQUETTE	1
10	25474600/0	MOLLA	SPRING	RESSORT	1
11	25560256/0	PERNO	GUUDGEON	PIVOT	1
16	81404024/0	ASSIEME MOTORIDUTTORE/ DISCO/ SUPPORTO/ MICRO - R 134A	MOTOR/SUPPORT/CAM MICRO ASS'Y - R 134A	ENSEMBLE MOTOREDUCTEUR/ SUPPORT/ CAME/ MICRO - R 134A	1
20	25260000/0	DISCO	CAM	CAME DE BASCULER	1
21	12639300/0	SPINA	PIN	GOUILLE	1
22	25654016/0	RONDELLA	WASHER	RONDELLE	2
23	25110911/0	BUSSOLA	BUSH	DOUILLE	1
24	12000950/0	ANELLO D'ARRESTO	SEEGER	BAGUE D'ARRÊT	1
25	19410208/0	MICRO	MICRO	MICRO	1
31	81403045/0	CONVOGLIATORE	ICE DEFLECTOR	CONTRE CUVETTE	1
31A	81401622/0	CONVOGLIATORE (DA APRILE 2000)	ICE DEFLECTOR (FROM APRIL 2000)	CONTRE CUVETTE (DEPUIS AVRIL 2000)	1
32	25726115/3	SUPPORTO ALBERO PALETTE	PADDLE SHAFT SUPPORT	SUPPORT ARBRE PALETTES	2
34	81401576/0	EVAPORATORE R 22 - R 134A	EVAPORATOR R 22 - R 134A	EVAPORATEUR R 22 - R 134A	1
34A	81401620/0	EVAPORATORE - R 134A (DA APRILE 2000)	EVAPORATOR - R 134A (FROM APRIL 2000)	EVAPORATEUR - R 134A (DEPUIS AVRIL 2000)	1
35	25030006/0	ALBERO PALETTE	PADDLE SHAFT	ARBRE PALETTES	1
35A	25030022/0	ALBERO PALETTE (DA APRILE 2000)	PADDLE SHAFT (FROM APRIL 2000)	ARBRE PALETTES (DEPUIS AVRIL 2000)	1
36	25110914/0	BUSSOLA	BUSH	DOUILLE	2
37	12712002/0	VITE	SCREW	VIS	2
38	25545520/2	PALETTA	PADDLE	PALETTE	2
39	19440059/0	MOTORIDUTTORE PALETTE	PADDLE MOTOR	MOTOREDUCTEUR PALETTES	1
40	25725433/0	SUPPORTO MOTORIDUTTORE	PADDLE MOTOR SUPPORT	SUPPORTMOTOREDUCTEUR PALETTES	1
42	25525419/0	SUPPORTO	SUPPORT	SUPPORT	1
44	19410209/0	MICROIMPULSI	MICRO	MICRO	1
47	81409179/0	ASS. MICROGALLEGGIANTE	MICRO/ FLOAT BALL ASS'Y	ENSEMBLE MICRO/ FLOTTEUR	1
54	25300000/0	RACCORDO ENTRATA ACQUA	WATER INLET TUB	TUYAU ENTREE EAU	1
58	25791018/0	TUBO	TUBE	TUYAU	1
59	19280700/0	FASCETTA	CLAMP	BANDE	1
60	25820083/0	VASCHETTA	PAN	BAC	1
63	25780153/0	TUBO SCARICO	DRAIN PIPE	TUYAU D'ECOULEMENT	1
64	25030004/0	ALBERO BACINELLA	SHAFT	ARBRE	1
64A	25030021/0	ALBERO BACINELLA (DA APRILE 2000)	SHAFT (FROM APRIL 2000)	ARBRE (DEPUIS AVRIL 2000)	1



001.2

Pos. Nr.	Codice Code	Descrizione	Description	Description	Quantità Q.ty Q.te
1	25114006/0	BASAMENTO	BASE	CHASSIS	1
2/A	19165497/0	COMPRESSORE GL45 TB (R 134A)	COMPRESSOR GL45 TB (R 134A)	COMPRESSEUR GL45 TB (R 134A)	1
2/B	19180464/0	CONDENSATORE DI SPUNTO R 134A	START CONDENSER R 134A	CONDENSATEUR DE DEMARRAGE R 134A	1
2/C	19618001/0	RELÉ R 134A	RELAY R 134A	RELAIS R 134A	1
2/D	19560131/0	PROTETTORE R 134A	PROTECTOR R 134A	PROTECTION R 134A	1
3	19864900/0	VALVOLINA DI CARICA	CHARGE VALVE	VANNE DE CHARGE	1
11	25690806/0	SCARICO H ₂ O MACCHINA	WATER DRAIN PIPE	ECOULEMENT D'EAU	1
15	33320521/0	FISSACAVO	CABLE FASTNER	FIXATION DU CABLE	1
18	19863033/0	VALVOLA GAS	GAS VALVE	VANNE DE GAZ	1
20	19300802/0	FILTRO DISIDRATORE R 134A	DRIER R 134A	FILTRE DESHYDRATEUR R 134A	1
21	19177509/0	CONDENSATORE R 134A	CONDENSER R 134A	CONDENSATEUR R 134A	1
27	18562503/0	ELETTROVENTILATORE	FAN MOTOR	VENTILATEUR	1
32	81408421/0	ASS. SCAMBIATORE - R 134A	EXCHANGER ASS'Y - R 134A	ECHANGEUR - R 134A	1
33	25726327/0	SUPPORTO	SUPPORT	SUPPORT	1
34	19865502/0	ELETTROVALVOLA H ₂ O	ELECTRO VALVE H ₂ O	ELECTRO VANNE EAU H ₂ O	1
36	19810111/0	ASS. TUBO ENTRATA H ₂ O	WATE INLET TUBE ASS'Y	ASS. TUYAU ENTREE EAU	1
36A	19810114/0	TUBO SCARICO H ₂ O	DRAIN PIPE	TUYAU DE DECHARG	1
37	25726326/0	SUPPORTO CABLAGGIO	CABLE SUPPORT	SUPPORT ELECTRIQUE	1
39	25690230/0	SCATOLA CABLAGGIO	CABLE BOX	BOITER ELECTRIQUE	1
40	2516705/0	COPERCHIO SCATOLA CABLAGGIO	CABLE BOX PLUG	COUVERCLE BOITER	1
44	33489251/0	MORSETTIERA	TERMINAL BOARD	BLOC DE RACCORDEMENT	1
46	19797017/0	TERMOSTATO DEPOSITO	BIN THERMOSTAT	THERMOSTAT CONTENEUR	1
47	19620107/0	RELÈ	RELAY	RELAIS	1



Pos. Nr.	Codice Code	Descrizione	Description	Description	Quantità Q.ty Q.te
1	25114006/0	BASAMENTO	BASE	CHASSIS	1
2M	19165497/0	COMPRESSORE GL45TB (R 134a)	COMPRESSOR (R 134a)	COMPRESSEUR (R 134a)	1
2N	19180464/0	CONDENSATORE DI SPUNTO (R 134a)	START CONDENSER (R 134a)	CONDENSATEUR DE DEMARRAGE (R 134a)	1
2O	19618001/0	RELÈ (R 134a)	RELAY (R 134a)	RELAIS (R 134a)	1
2P	19560131/0	PROTETTORE (R 134a)	PROTECTOR (R 134a)	PROTECTION (R 134a)	1
3	19864900/0	VALVOLINA DI CARICA	CHARGE VALVE	VANNE DE CHARGE	1
11	25690806/0	SCARICO H ₂ O MACCHINA	WATER DRAIN PIPE	ECOULEMENT D'EAU	1
18	19863033/0	VALVOLA GAS	GAS VALVE	VANNE DE GAZ	1
20	19300802/0	FILTRO DISIDRATATORE (R 134a)	DRIER (R 134a)	FILTRE DESHYDRATEUR (R 134a)	1
21	81407536/0	CONDENSATORE - R 134a	CONDENSER - R 134a	CONDENSATEUR - R 134a	1
29	81418216/0	ASS. TUBO RACCORDO H ₂ O	WATER TUBE ASS'Y H ₂ O	TUYAU RACCORD EAU	2
30	19550372/0	PRESSOSTATO PER VALVOLA ACQUA (R 134a)	PRESSURE CONTROL FOR WATER VALVE (R 134a)	PRESSOSTAT POUR VANNE EAU (R 134a)	1
32	81408422/0	ASS. SCAMBIATORE (R 134a)	EXCHANGER ASS'Y (R 134a)	ECHANGEUR (R 134a)	1
33	25726327/0	SUPPORTO ELETTRICO VALVOLA	ELECTROVALVE SUPPORT	SUPPORT ELECTRO VANNE	1
34	19865530/0	ELETTRICO VALVOLA H ₂ O R 134a	ELECTRO VALVE H ₂ O R 134a	ELECTRO VANNE EAU R 134a	1
36	19810111/0	ASS. TUBO ENTRATA H ₂ O	WATE INLET TUBE ASS'Y	ASS. TUYAU ENTREE EAU	1
36A	19810114/0	TUBO SCARICO H ₂ O	DRAIN PIPE	TUYAU DE DECHARGE	1
37	25726326/0	SUPPORTO CABLAGGIO	CABLE SUPPORT	SUPPORT ELECTRIQUE	1
39	25690230/0	SCATOLA CABLAGGIO	CABLE BOX	BOITER ELECTRIQUE	1
40	25160705/0	COPERCHIO SCATOLA CABLAGGIO	CABLE BOX PLUG	COUVERCLE BOITER	1
44	33489251/0	MORSETTIERA	TERMINAL BOARD	BLOC DE RACCORDEMENT	1
46	19797017/0	TERMOSTATO DEPOSITATO	BIN THERMOSTAT	THERMOSTAT CONTENEUR	1
46A	19797023/0	TERMOSTATO DI SICUREZZA	SAFETY THERMOSTAT	THERMOSTAT DE SECURITE	1
47	19620107/0	RELÈ	RELAY	RELAIS	1
48	19350158/0	GUARNIZIONE	GAS KET	GARNITURE	2

Зип Общепит

vsezip.ru

+7(812)987-08-81

Зип Общепит
vsezip.ru
+7(812)987-08-81

Icematic®

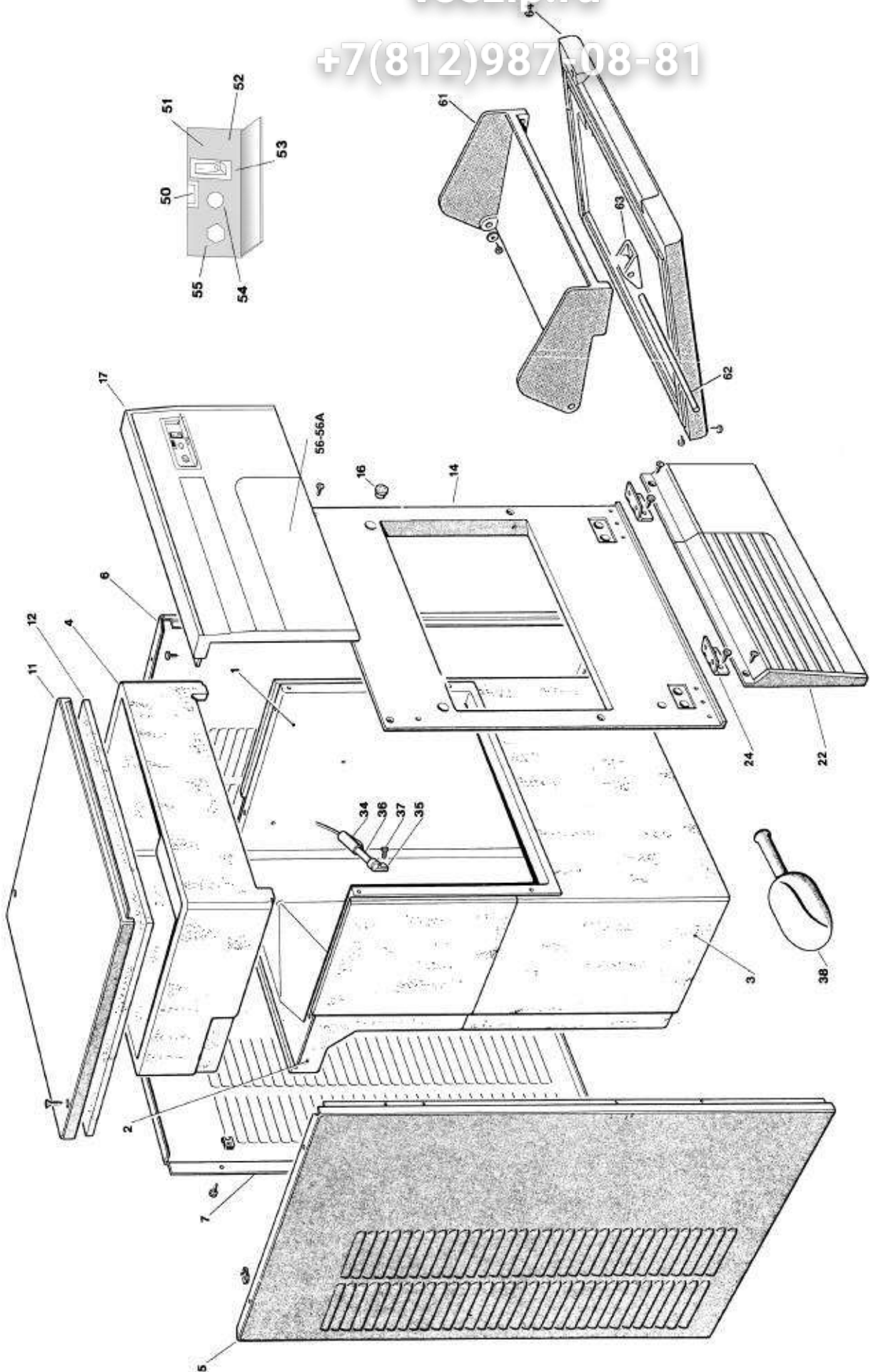
Spare parts list • *Catalogo ricambi*
Catalogues pièces détachées



Cod. 71503398/0 - 12/2006

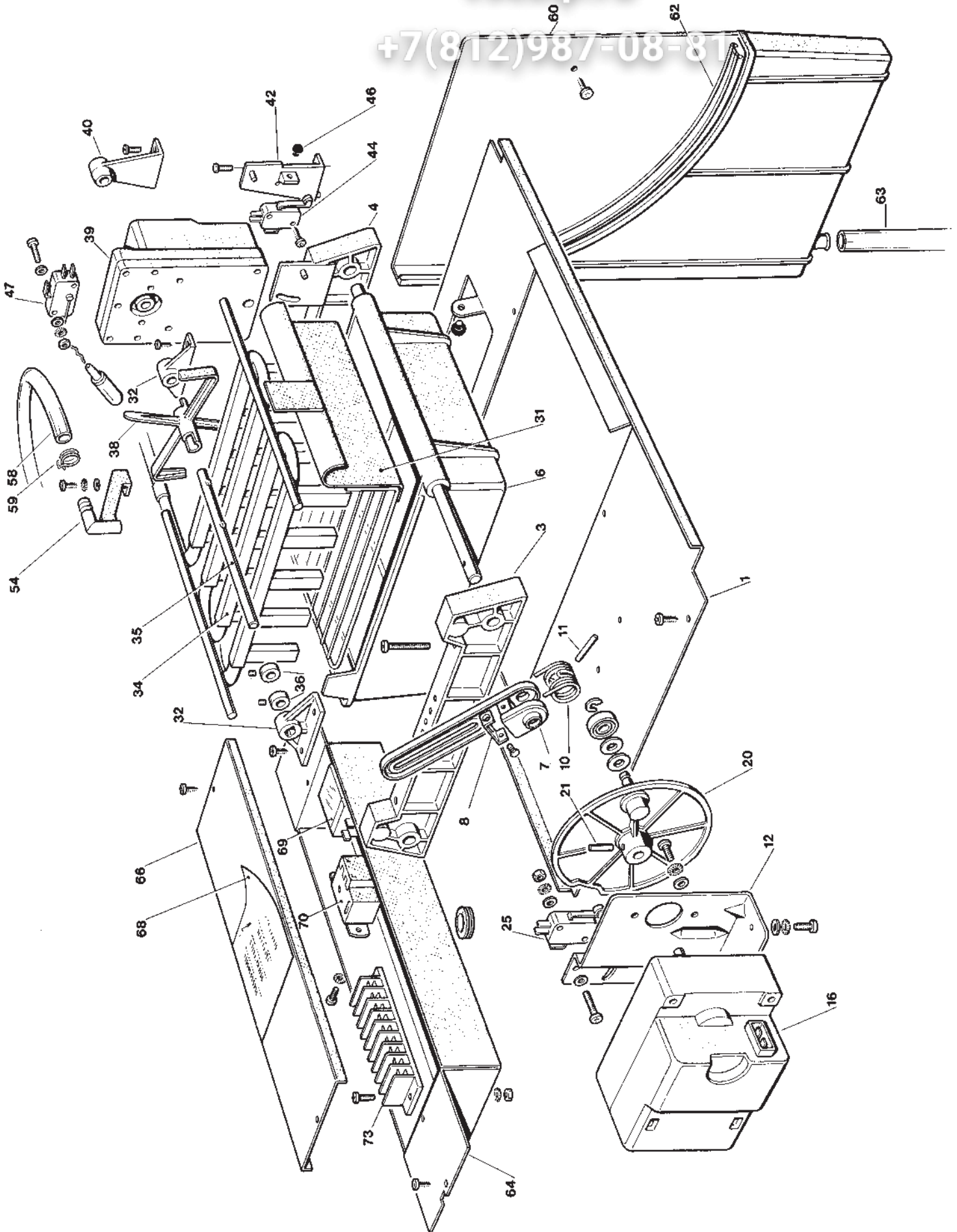
N35S

R134a



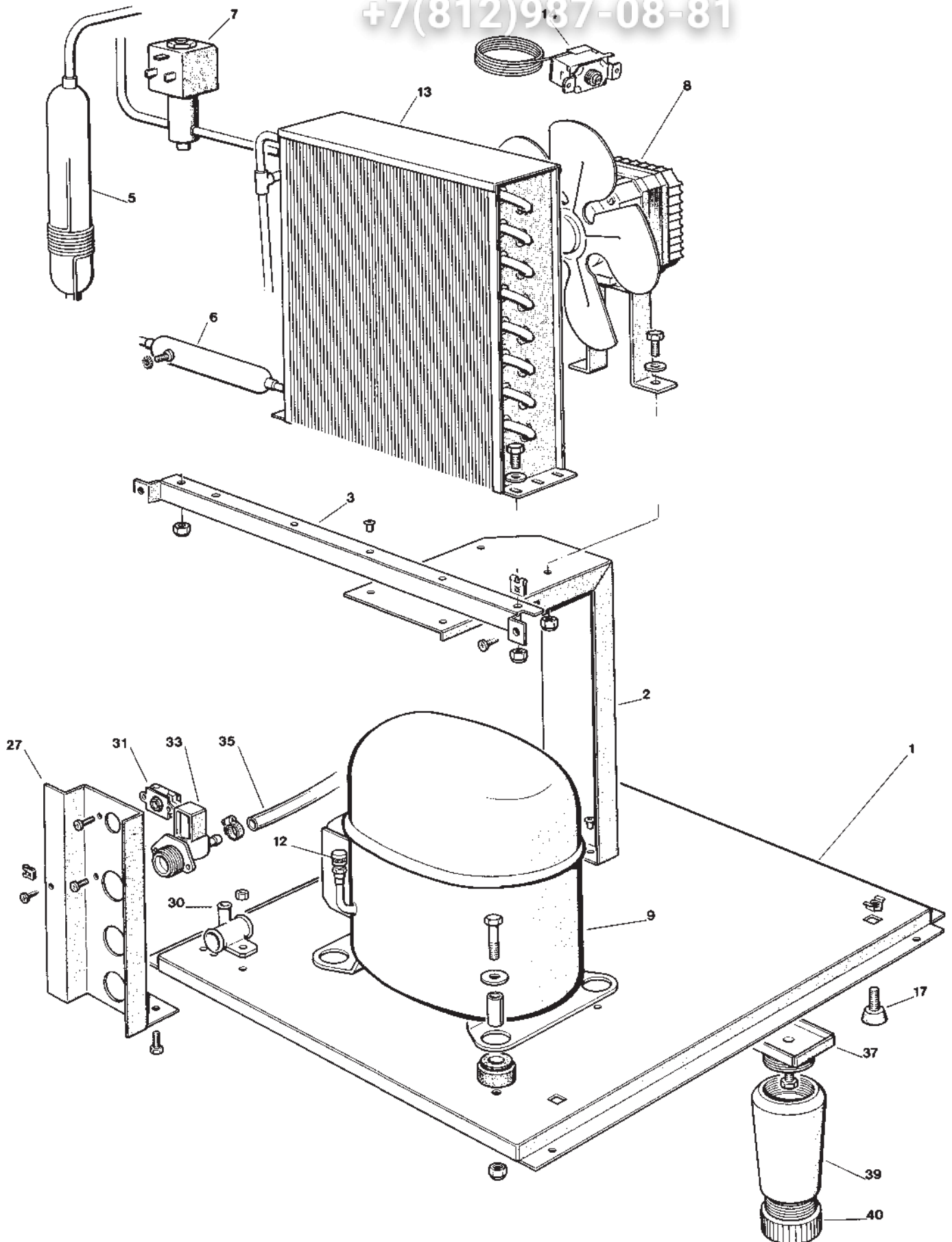
+7(812)987-08-81

Pos. Nr.	Codice Code	Descrizione	Description	Description	Quantità Q.ty Q.te
1	81401000/0	ASSIEME CONTENITORE	ICE BIN	ENESEMBLE	1
2	81401000/0	ASSIEME CONTENITORE	ICE BIN	ENESEMBLE	1
3	81401000/0	ASSIEME CONTENITORE	ICE BIN	ENESEMBLE	1
4	25088202/0	ANELLO ISOLANTE	INSULATOR	ISOLANT	1
5	25330190/Q	FIANCO SINISTRO	LEFT SIDE	PANNEAU GAUCHE	1
5A	25330725/0	FIANCO SINISTRO INOX	LEFT SIDE INOX	PANNEAU GAUCHE INOX	1
6	25331089/Q	FIANCO DESTRO	RIGHT SIDE	PANNEAU DROITE	1
6A	25330724/0	FIANCO DESTRO INOX	RIGHT SIDE INOX	PANNEAU DROITE INOX	1
7	25547143/0	PANNELLO POSTERIORE	BACK PANEL	PANNEAU ARRIERE	1
7A	25550339/0	PANNELLO POSTERIORE INOX	BACK PANEL INOX	PANNEAU ARRIERE INOX	1
11	25160618/0	COPERCHIO	COVER	COUVERCLE	1
11A	25161107/0	COPERCHIO INOX	COVER INOX	COUVERCLE INOX	1
12	25550068/0	PANNELLO ISOLANTE	INSULATOR PANEL	PANNEAU ISOLANT	1
14	25165499/0	CORNICE	FRAME	CORNICHE	1
16	41109519/0	MAGNETE	MAGNET	MAGNETO	2
17	25175226/0	CRUSCOTTO	FRONT PANEL	PANNEAU FRONTAL	1
21	25740063/0	ETICHETTA	LABEL	ETIQUETTE	1
22	25610103/0	PRESA D'ARIA	PANEL	PANNEAU	1
24	19120050/0	CERNIERA	HINGE	CHARNIERE	2
34	25726141/0	SUPPORTO SUPERIORE	SUPPORT	SUPPORT	1
35	25726140/0	SUPPORTO ANTERIORE	SUPPORT	SUPPORT	1
36	19797017/0	TERMOSTATO DEPOSITO	BIN THERMOSTAT	THERMOSTAT CONTENEUR	1
38	19500100/0	PALETTA	ICE SCOOP	PELLE A GLACE	1
-	19810111/0	ASS. TUBO ALIMENTAZIONE ACQUA	WATER INLET TUBE	TUYAU ENTREE EAU	1
-	19350158/0	GUARNIZIONE PER TUBO	GASKET	GARNITURE	2
50	19120434/0	CHIUSURA PUSH	PUSH LOCK	FERMETURE "PUSH"	1
51	33400053/0	INTERRUTTORE LUMINOSO VERDE	GREEN LIGHT SWITHC	INTERRUPTEUR LUMINEUX VERT	1
52	25570459/0	PIASTRA SUPP. COM. AIR VERSION	CONTROL SUP. PLATE FOR AIR COOLED VERS.	PLAQUE SUPPORT COMMANDES - VERS. AVEC COND. À AIR	1
52A	25570460/0	PIASTRA SUPP. COM. WATER VERS.	CONTROL SUP. PLATE FOR WATER COOLED VERS.	PLAQUE SUPPORT COMMANDES - VERS. AVEC COND. À EAU	1
53	25161138/0	COPERCHIO COMANDI	COVER BOX CONTROL	COUVERCLE	1
54	33470507/0	SPIA LUMINOSA ROSSA	RED LIGHT ALLARM	ALARME LUMINEUX ROUGE	1
56	25352502/0	FRONTALINO PER VERSIONE BLU	FRONTAL PANEL FOR BLUE VERS.	PETIT PANNEAU FRONTAL VERSION BLEUE	1
56A	25352503/0	FRONTALINO PER VERSIONE INOX	FRONTAL PANEL FOR STAINLESS STEEL VERS.	PETIT PANNEAU FRONTAL VERSION INOX	1
61	25260472/0	DEFLETTORE (N.V. 1997)	DOOR DEFLECTOR (N.V. 1997)	DEFLECTEUR (N.V. 1997)	1
62	25030019/0	ALBERINO	SHAFT	ARBRE	1
63	25726279/0	SUPPORTO	SUPPORT	SUPPORT	2
64	81401650/0	ASSIEME PORTA	COMPLETE DOOR	PORTE COMPLETE	1
64A	25600188/0	PORTA	DOOR	PORTE	1



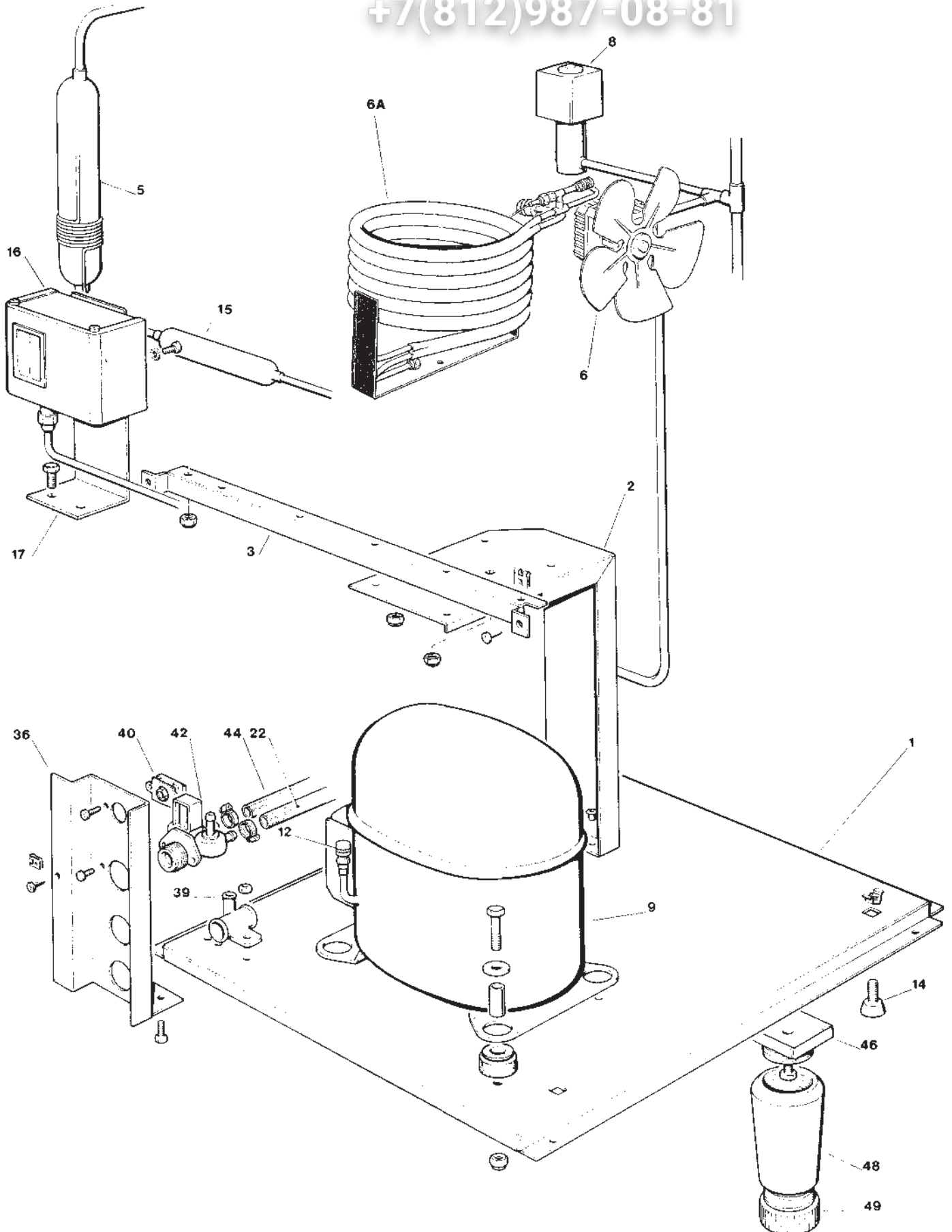
+7(812)987-08-81

Pos. Nr.	Codice Code	Descrizione	Description	Description	Quantità Q.ty Q.te
1	25745125/0	TELAIO	EVAPORATOR FRAME	SUPPORT DE L'EVAPORATEUR	1
3	25726121/0	SUPPORTO EVAPORATORE	SUPPORT	SUPPORT	1
4	25726122/0	SUPPORTO EVAPORATORE	SUPPORT	SUPPORT	1
6	81403007/0	ASS. BACINELLA CON LEVA	PAN ASS'Y	ENSEMBLE CUVETTE	1
7	25440110/0	LEVA	LEVER	LEVIER	1
8	25325953/1	PIASTRINA	STOP PLATE	PLAQUETTE D'ARRÊT	1
10	25474600/0	MOLLA	SPRING	RESSORT	1
11	25560256/0	PERNO	GUDGEON	PIVOT	1
12	25725429/0	SUPPORTO	SUPPORT	SUPPORT	1
16C	81404024/0	ASSIEME MOTORIDUTTORE/ DISCO/ SUPPORTO/ MICRO R-134a	MOTOR/SUPPORT/CAM MICRO ASS'Y R-134a	ENSEMBLE MOTOREDUCTEUR/ SUPPORT/ CAME/ MICRO R.-134a	1
20	25260000/0	DISCO	CAM	CAME	1
21	12639300/0	SPINA	PIN	GOUPILLE	1
25	19410208/0	MICRO	MICRO	MICRO	1
31	81403025/0	CONVOGLIATORE	DEFLECTOR	CONVOYEUR	1
32	25726115/3	SUPPORTO ALBERO PALETTE	PADDLE SHAFT SUPPORT	SUPPORT ARBRE PALETTES	2
34	81402035/0	EVAPORATORE R 134a	EVAPORATOR R 134a	EVAPORATEUR R 134a	1
35	25030007/0	ALBERO PALETTE	PADDLE SHAFT	ARBRE PALETTES	1
36	25110914/0	BUSSOLA	BUSH	DOUILLE	2
38	25545520/2	PALETTA	PADDLE	PALETTE	3
39	19440059/0	MOTORIDUTTORE PALETTE	PADDLE MOTOR	MOTOREDUCTEUR DES PALETTES	1
40	25725433/0	SUPPORTO MOTORIDUTTORE PALETTE	SUPPORT	SUPPORT	1
42	25525419/0	SUPPORTO	SUPPORT	SUPPORT	1
44	19410209/0	MICROIMPULSI	MICRO	MICRO	1
47	81409179/0	ASS. MICROGALLEGGIANTE	MICRO/ FLOAT BALL ASS'Y	ENSEMBLE MICRO/ FLOTTEUR	1
54	25300000/0	RACCORDO ENTRATA ACQUA	WATER INLET TUB	TUYAU ENTREE EAU	1
58	25791021/0	TUBO ACQUA	TUBE	TUYAU	1
59	19280700/0	FASCETTA	CLAMP	BANDE	1
60	25820080/0	VASCHETTA RECUPERO	PAN	BAC	1
63	25791020/0	TUBO SCARICO	DRAIN PIPE	TUYAU D'ECOULEMENT	1
64	25690223/0	SCATOLA CABLAGGIO	ELECTRICAL BOX	BOITIER ELECTRIQUE	1
66	25160619/0	COPERCHIO	COVER	COUVERCLE	1
69	19620107/0	RELÈ	RELAY	RALIS	1
70	19797017/0	TERMOSTATO DEPOSITO	BIN THERMOSTAT	THERMOSTAT CONTENEUR	1
70A	19797025/0	TERMOSTATO VENTILATORE	FAN THERMOSTAT	THERMOSTAT VENTILATEUR	1
73	33489251/0	MORSETTIERA	TERMINAL BOARD	BLOC DE RACCORDEMENTE	1



+7(812)987-08-81

Pos. Nr.	Codice Code	Descrizione	Description	Description	Quantità Q.ty Q.te
1	25110079/0	BASAMENTO	BASE	CHASSIS	1
2	25725434/0	SUPPORTO	SUPPORT	SUPPORT	1
3	25725435/0	SUPPORTO	SUPPORT	SUPPORT	1
5	81408076/0	ASSIEME SCAMBIATORE R134A	EXCHANGER ASS'Y R134a	ECHANGEUR R134a	1
6A	19300802/0	FILTRO R134a	DRIER R134a	DESHYDRATEUR R134a	1
7	19863033/0	VALVOLA GAS	GAS VALVE	VANNE DE GAZ	1
8	18562496/0	ELETTOVENTILATORE	FAN MOTOR	VENTILATEUR	1
8A	18740023/0	VENTOLA PER ELETTOVENTILATORE	FAN BLADE	HELICE POUR VENTILATEUR	1
9	19165548/0	COMPRESSORE GL90TB - R134a	COMPRESSOR R 134a	COMPRESSOR R 134a	1
9A	19560132/0	PROTETTORE R134a	PROTECTION R134a	PROTECTEUR R134a	1
9B	19618003/0	RELÉ R134a	RELAY R134a.	RELAIS R134a	1
9C	19180464/0	CONDENSATORE DI SPUNTO R134a	START CONDENSER R134a	CONDENSATEUR DE DEMARRAGE R134a	1
12	19864900/0	VALVOLA DI CARICA	CHARGE VALVE	VANNE DE CHARGE	1
13	19177046/0	CONDENSATORE	CONDENSER	CONDENSEUR	1
14	19797025/0	TERMOSTATO VENTILATORE	FAN THERMOSTAT	THERMOSTAT VENTILATEUR	1
17	81502119/0	PIEDINO STANDARD	STANDARD FOOT	PIED STANDARD	4
27	25725438/0	SUPPORTO	SUPPORT	SUPPORT	1
30	25690806/0	SCARICO ACQUA	WATER DRAIN PIPE	ECOULEMENT MACHINE	1
31	33320523/0	FISSACAVO	CLAMP	BANDE	1
33	19865502/0	ELETTOVALVOLA ACQUA	WATER SOLENOID VALVE	ELECTROVANNE EAU	1
35	25791021/0	TUBO ACQUA	TUBE	TUYAU	1
37	81400690/0	SUPPORTO	SUPPORT	SUPPORT	4
39	25460020/0	MANICOTTO PER PIEDINO	COUPLING	RALLONGE PIED	4
40	25570870/0	PIEDINO	LEVELLING FOOT	PIED	4



1	25110079/0	BASAMENTO	BASE	CHASSIS	1
2	25725434/0	SUPPORTO	SUPPORT	SUPPORT	1
3	25725435/0	SUPPORTO	SUPPORT	SUPPORT	1
5	81408076/0	ASS. SCAMBIATORE R 134a	EXCHANGER ASS" / R 134a	ECHANGEUR R 134a	1
6	18562431/0	VENTILATORE	FAN MOTOR	VENTILATEUR	1
6A	81401593/0	CONDENSATORE	CONDENSER	CONDENSATEUR	1
7	19864900/0	VALVOLA DI CARICA	CHARGE VALVE	VANNE DE CHARGE	1
8	19863033/0	VALVOLA GAS	GAS VALVE	VANNE DE GAZ	1
9E	19165548/0	COMPRESSORE GL 90TB-R134a	COMPRESSOR GL 90TB-R134a	COMPRESSEUR GL 90TB-R134a	
9F	19560132/0	PROTETTORE R134a	PROTECTION R134a	PROTECTEUR	1
9G	19618003/0	RELÉ R134a	RELAY R134a	RELAIS R134a	1
9H	19180464/0	CONDENSATORE DI SPUNTO R134a	START CONDENSER R134a.	CONDENSATEUR DE DEMARRAGE R134a	1
12	19864900/0	VALVOLA DI CARICA	CHARGE VALVE	VANNE DE GAZ	1
14	81502119/0	PIEDINO STANDARD	STANDARD FOOT	PIED STANDARD	4
15A	19300802/0	FILTRO R134a	DRIER R134a	DESHYDRATEUR R134a	1
16	19550372/0	PRESSOSTATO PER VALVOLA ACQUA R134a	PRESSURE CONTROL FOR WATER VALVE R 134a	PRESSOSTAT POUR VANNE EAU R 134a	1
17	25725437/0	SUPPORTO	SUPPORT	SUPPORT	1
22	38778802/0	TUBO ACQUA CONDENSATORE	CONDENSER WATER PIPE	TUYAU	1
26	12523040/0	RONDELLA	WASHER	RONDELLE	2
36	25726483/0	SUPPORTO	SUPPORT	SUPPORT	1
39	25690803/0	SCARICO ACQUA	WATER DRAIN PIPE	ECOULEMENT MACHINE	2
40	33320523/0	FISSACAVO	CLAMP	BANDE	1
42	19865530/0	ELETTR. VALVOLA ACQUA	WATER SOLENOID VALVE	ELECTROVANNE EAU	1
44	25791021/0	TUBO ACQUA BACINELLA	PAN TUBE	TUYAU EAU BAC	1
46	81400690/0	SUPPORTO	SUPPORT	SUPPORT	4
48	25460020/0	MANICOTTO PER PIEDINO	COUPLING	RALLONGE PIED	4
49	25570870/0	PIEDINO	LEVELLING FOOT	PIED	4

Зип Общепит

vsezip.ru

+7(812)987-08-81

Зип Общепит
vsezip.ru
+7(812)987-08-81

Icematic®

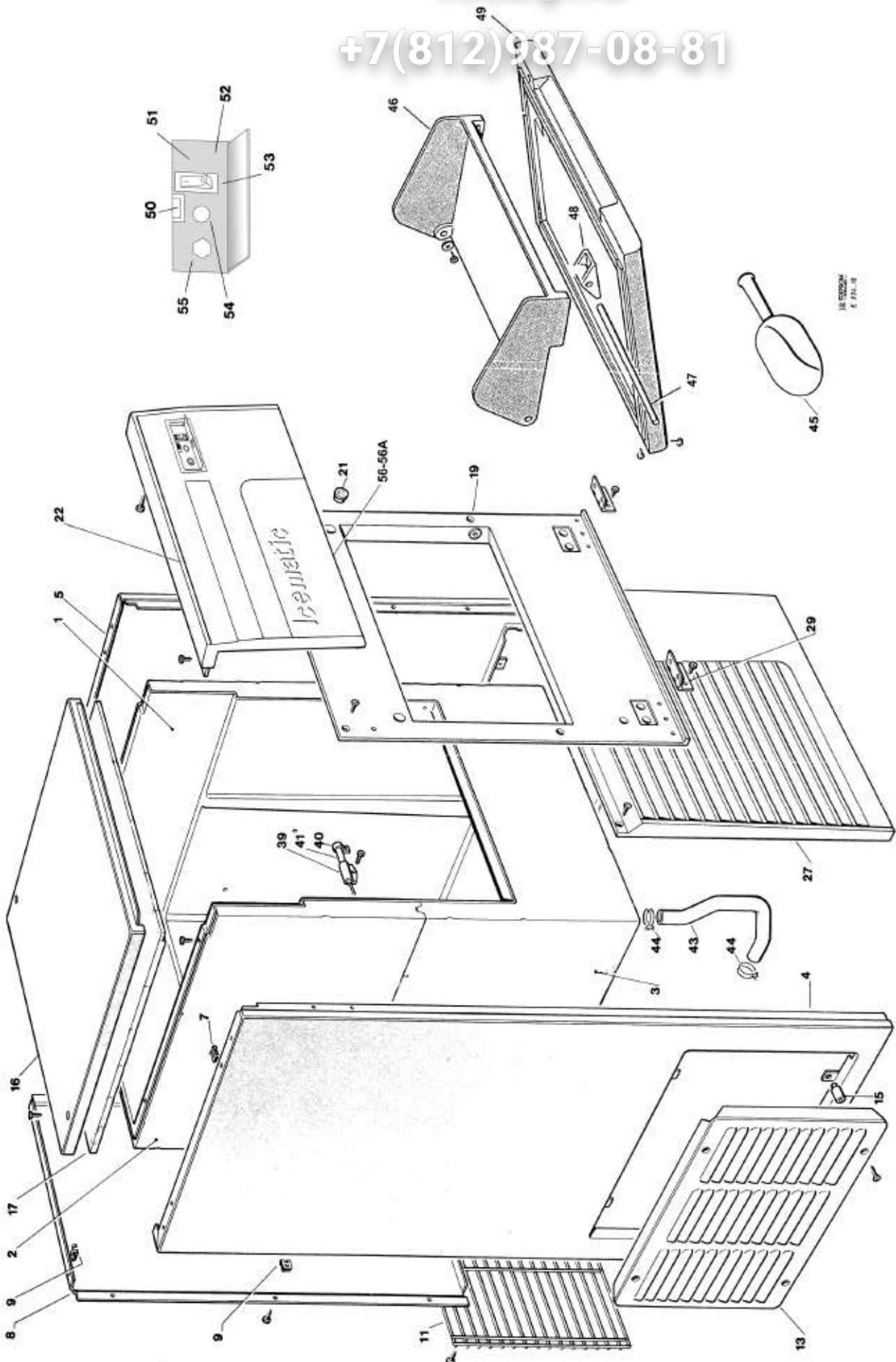
Spare parts list • *Catalogo ricambi*
Catalogues pièces détachées



Cod. 71503398/0 - 12/2006

N45S

R134a

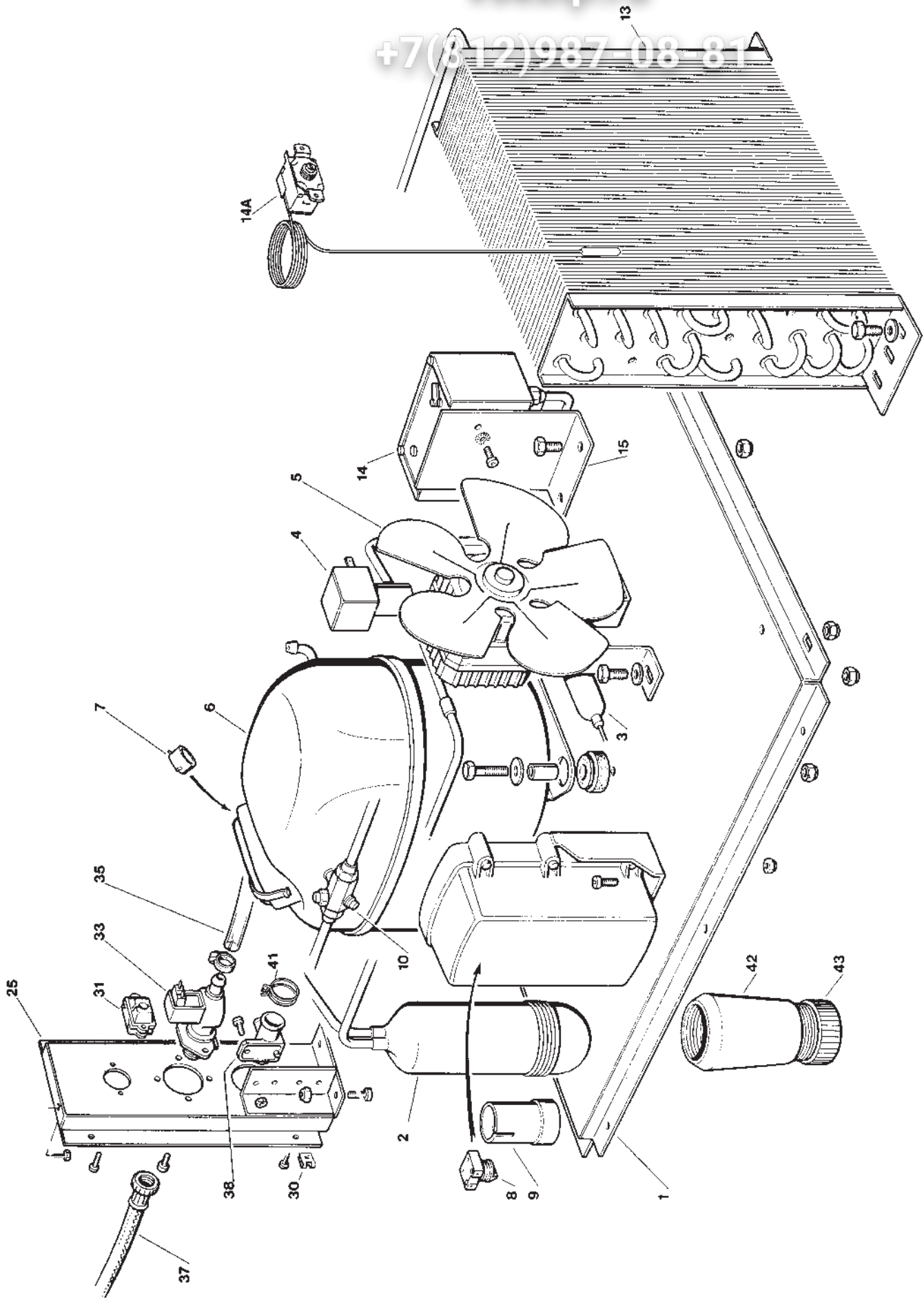


+7(812)987-08-81

Pos. Nr.	Codice Code	Descrizione	Description	Description	Quantità Q.ty Q.te
1	81411095/0	ASSIEME CONTENITORE	ICE BIN	ENESEMBLE	1
2	81411095/0	ASSIEME CONTENITORE	ICE BIN	ENESEMBLE	1
3	81411095/0	ASSIEME CONTENITORE	ICE BIN	ENESEMBLE	1
4	25330566/Q	FIANCO SINISTRO	LEFET SIDE	PANNEAU GAUCHE	1
4A	25330570/0	FIANCO SINISTRO INOX	LEFET SIDE INOX	PANNEAU GAUCHE INOX	1
5	25330565/Q	FIANCO DESTRO	RIGHT SIDE	PANNEAU DROITE	1
5A	25330569/0	FIANCO DESTRO INOX	RIGHT SIDE INOX	PANNEAU DROITE INOX	1
7	12436400/0	PIASTRINA	PLATE	PLAQUETTE	21
8	25700015/Q	PANNELLO POSTERIORE	BACK PANEL	PANNEAU POSTERIEUR	1
8A	25700017/0	PANNELLO POSTERIORE INOX	BACK PANEL INOX	PANNEAU POSTERIEUR INOX	1
9	12436400/0	PIASTRINA	PLATE	PLAQUETTE	4
11	25380693/0	GRIGLIA POSTERIORE	PACK GRID	GRILLE ARRIERE	1
13	25610025/0	PRESA D'ARIA	AIR INTAKE	PRISE D'AIR	2
13A	25610028/0	PRESA D'ARIA INOX	AIR INTAKE INOX	PRISE D'AIR INOX	2
15	19356001/0	DISTANZIALE	SPACER	ENTRETOISE	8
16	25160618/0	COPERCHIO	COVER	COUVERCLE	1
16B	25161107/0	COPERCHIO INOX	COVER INOX	COUVERCLE INOX	1
17	25550069/0	PANNELLO ISOLANTE	INSULATOR PANEL	PANNEAU ISOLANT	1
19	25165499/0	CORNICE	FRAME	CORNICHE	1
21	41109519/0	MAGNETE	MAGNET	MAGNETO	2
22	25175226/0	CRUSCOTTO	FRONT PANEL	PANNEAU FRONTAL	
26	25740065/0	ETICHETTA	LABEL	ETIQUETTE	1
27	25610104/0	PRESA D'ARIA	AIR INTAKE	PRISE D'AIR	1
29	19120050/0	CERNIERA	HINGE	CHARNIERE	2
37	25110913/0	BUSSOLA	BUSH	DOUILLE	1
39	25726141/0	SUPPORTO TERMOSTATO	SUPPORT	SUPPORT	1
40	25726140/0	SUPPORTO TERMOSTATO	SUPPORT	SUPPORT	1
41	19797017/0	TERMOSTATO	THERMOSTAT	THERMOSTAT	1
43	25790621/0	TUBO SCARICO	TUBE	TUYAU	1
44	19281332/0	FASCETTA	CLAMP	BANDE	2
45	19500100/0	PALETTA	ICE SCOOP	PELLE GLACE	1
-	19810114/0	TUBO SCARICO MACCHINA	DRAIN WATER PIPE	TUYAU DE DECHARGE MACHINE	1
46	25260472/0	DEFLETTORE (N.V. 1997)	DOOR DEFLECTOR (N.V. 1997)	DEFLECTEUR (N.V. 1997)	1
47	25030019/0	ALBERINO	SHAFT	ARBRE	1
48	25726279/0	SUPPORTO	SUPPORT	SUPPORT	2
49	81401650/0	ASSIEME PORTA (N.V. 1997)	COMPLETE DOOR (N.V. 1997)	PORTE COMPLETE (N.V. 1997)	1
49A	25600188/0	PORTA	DOOR	PORTE	1
50	19120434/0	CHIUSURA PUSH	PUSH LOCK	FERMETURE "PUSH"	1
51	33400053/0	INTERR. LUMINOSO VERDE	GREEN LIGHT SWITHC	INTERRUPTEUR LUMINEUX VERT	1
52	25570459/0	PIASTRA SUPP. COM. AIR VERSION	CONTROL SUP. PLATE FOR AIR COOLED VERS.	PLAQUE SUPPORT COMMANDES - VERS. AVEC COND. À AIR	1
52A	25570460/0	PIASTRA SUPP. COM. WATER VERS.	CONTROL SUP. PLATE FOR WATER COOLED VERS.	PLAQUE SUPPORT COMMANDES - VERS. AVEC COND. À EAU	1
53	25161138/0	COPERCHIO COMANDI	COVER BOX CONTROL	COUVERCLE	1
54	33470507/0	SPIA LUMINOSA ROSSA	RED LIGHT ALLARM	ALARME LUMINEUX ROUGE	1
55	19797028/0	TERMOSTATO DI SIC. VERS. ACQUA	SAFETY THERMOSTAT WATER VERS.	THERMOSTAT	1
56	25352502/0	FRONTALINO PER VERSIONE BLU	FRONTAL PANEL FOR BLUE VERS.	PETIT PANNEAU FRONTAL VERSION BLEUE	1
56A	25352503/0	FRONTALINO PER VERSIONE INOX	FRONTAL PANEL FOR STAINLESS STEEL VERS.	PETIT PANNEAU FRONTAL VERSION INOX	1

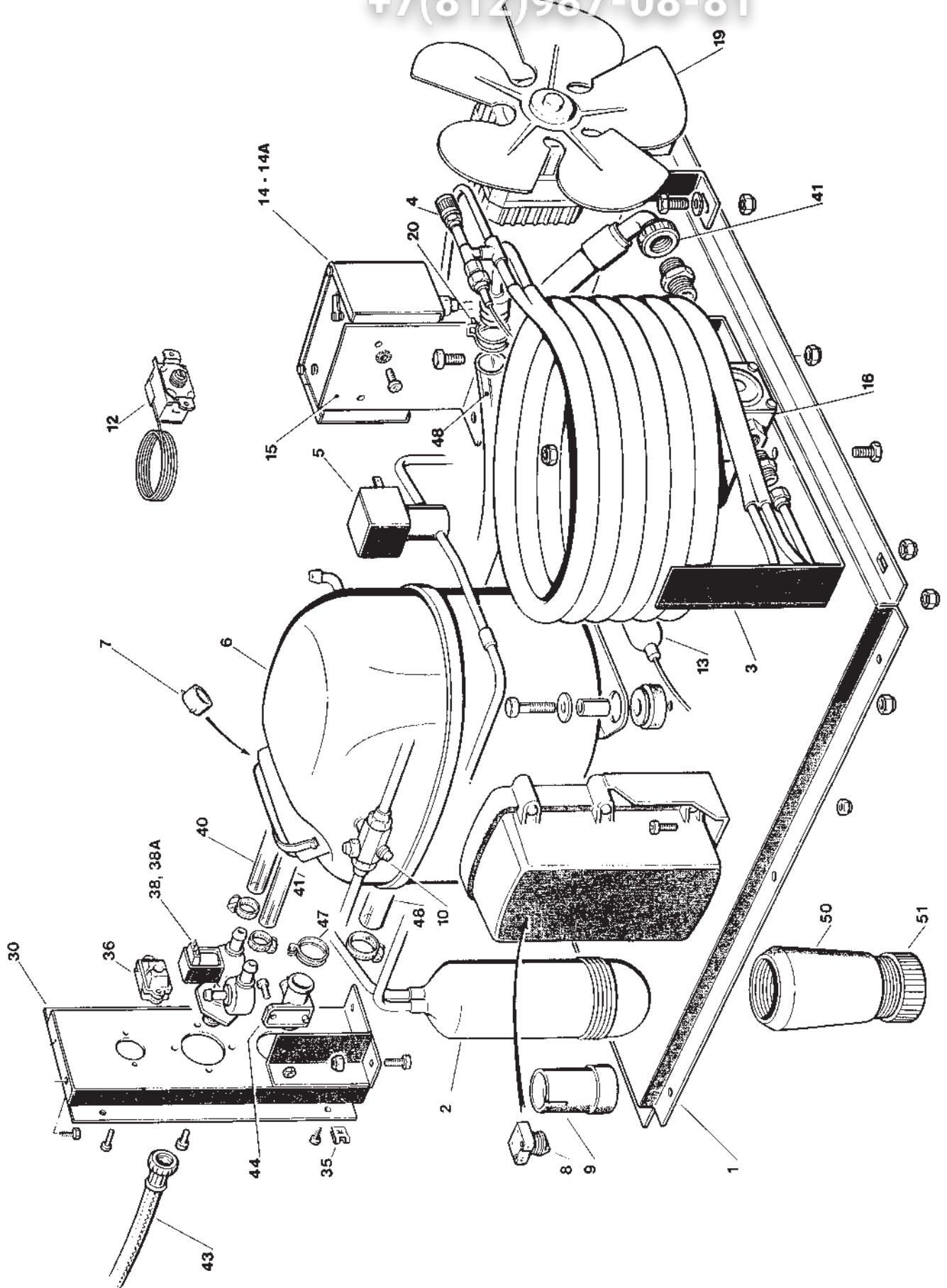
+7(812)987-08-81

Pos. Nr.	Codice Code	Descrizione	Description	Description	Quantità Q.ty Q.te
1	25745107/0	TELAIO EVAPORATORE	EVAPORATOR FRAME	SUPPORT DE L'EVAPORATEUR	1
3	25726121/0	SUPPORTO EVAPORATORE	SUPPORT	SUPPORT	1
4	25726122/0	SUPPORTO EVAPORATORE	SUPPORT	SUPPORT	1
6	81413001/0	ASS. BACINELLA CON LEVA	PAN ASS'Y	ENSEMBLE CUVETTE	1
7	25440110/0	LEVA	LEVER	LEVIER	1
8	25325953/1	PIASTRINA	STOP PLATE	PLAQUETTE D'ARRÊT	1
10	25474602/0	MOLLA	SPRING	RESSORT	1
11	25560256/0	PERNO	GUDGEON	PIVOT	1
12	25725429/0	SUPPORTO	SUPPORT	SUPPORT	1
16	81413041/0	ASSIEME MOTORIDUTTORE/ DISCO/ SUPPORTO/ MICRO	MOTOR/SUPPORT/CAMMICRO ASS'Y	ENSEMBLE MOTOREDUCTEUR/ SUPPORT/ CAME/ MICRO	1
20	81413043/0	DISCO	CAM	CAME	1
21	12639300/0	SPINA	PIN	GOUPILLE	1
22	25654016/0	RONDELLA	WASHER	RONDELLE	2
23	25110911/0	BUSSOLA	BUSH	DOUILLE	1
24	12000950/0	SEEGER	SEEGER	BAGUE D'ARRÊT	1
25	19410209/0	MICRO	MICRO	MICRO	1
31	81413031/0	CONVOGLIATORE	DEFLECTOR	CONVOYEUR	1
32	25726115/3	SUPPORTO ALBERO PALETTE	PADDLE SHAFT SUPPORT	SUPPORT ARBRE PALETTES	2
34	81412031/0	EVAPORATORE	EVAPORATOR	EVAPORATEUR	1
35A	25030010/0	ALBERO PALETTE	PADDLE SHAFT	ARBRE PALETTES	1
36	25110914/0	BUSSOLA	BUSH	DOUILLE	2
38A	25545520/2	PALETTA	PADDLE	PALETTE	6
39	19440059/0	MOTORIDUTTORE PALETTE	PADDLE MOTOR	MOTOREDUCTEUR DES PALETTES	1
40	25725433/0	SUPPORTO MOTORIDUTTORE	SUPPORT	SUPPORT	1
42	25525419/0	SUPPORTO	SUPPORT	SUPPORT	1
44	19410209/0	MICRO	MICRO	MICRO	1
47	81409179/0	ASS. MICRO GALLEGGIANTE	MICRO/ FLOAT BALL ASS'Y	ENSEMBLE MICRO/ FLOTTEUR	1
54	25300000/0	RACCORDO ENTRATA ACQUA	WATER INLET TUB	TUYAU ENTREE EAU	1
58	25790620/0	TUBO H ₂ O	TUBE	TUYAU	1
59	19280700/0	FASCETTA	CLAMP	BANDE	1
61	25820080/0	VASCETTA RECUPERO	PAN	BAC	1
63	81410690/0	GRIGLIA	GRID	GRILLE	1
64	25790604/0	TUBO SCARICO	DRAIN PIPE	TUYAU D'ECOULEMENT	1
65	25690230/0	BASE CABLAGGIO	ELECTRICAL BOX	BOITIER ELECTRIQUE	1
67	25160705/0	COPERCHIO	COVER	COUVERCLE	1
70	19620107/0	RELÈ	RELAY	RALIS	1
71	19797017/0	TERMOSTATO DEPOSITO	BIN THERMOSTAT	THERMOSTAT CONTENEUR	1
74	33489251/0	MORSETTIERA	TERMINAL BOARD	BLOC DE RACCORDEMENTE	1



+7(812)987-08-81

Pos. Nr.	Codice Code	Descrizione	Description	Description	Quantità Q.ty Q.te
1	81410648/0	ASSIEME BASAMENTO	BASE	CHASSIS N 30L	1
2B	81418390/0	ASSIEME SCAMBIATORE R134a	EXCHANGER ASS'Y R134a	ECHANGEUR R134a	1
3A	19300802/0	FILTRO R134a	DRIER R134a	DESHYDRATEUR R134a	1
4	19863033/0	VALVOLA GAS	GAS VALVE	VANNE DE GAZ	1
5	18562498/0	ELETTOVENTILATORE R134a	FAN MOTOR R134a	VENTILATEUR R134a	1
5A	18740024/0	VENTOLA X 18562498/0	BLADE X 18562498/0	HELICE X 18562498/0
6	19165548/0	COMPRESSORE GL 90TB R134a	COMPRESSOR GL 90TB R134a	COMPRESSOR GL 90TB R134a	1
7	19560131/0	PROTETTORE R134a	PROTECTION R134a	PROTECTEUR R134a	1
8	19618003/0	RELÈ R134a	RELAY R134a	RELAIS R134a	1
9	19180464/0	CONDENSATORE DI SPUNTO R134a	START CONDENSER R134a	CONDENSATEUR DE DEMARRAGE R134a	1
13	19177505/0	CONDENSATORE R134a	CONDENSER R134a	CONDENSEUR R134a	1
14	19550372/0	PRESSOSTATO VENTILATORE (FINO LUGLIO 2000)	FAN PRESSURE CONTROL (TILL JULY 2000)	PRESSOSTAT VENTILATEUR (JUSQU'À JULLET 2000)	1
14A	19797025/0	TERMOSTATO VENTILATORE (DA LUGLIO 2000)	FAN THERMOSTAT (FROM JULY 2000)	THERMOSTAT VENTILATEUR (DE JUILLET 2000)	1
15	25725437/0	SUPPORTO	SUPPORT	SUPPORT	1
25	81418352/0	SUPPORTO	SUPPORT	SUPPORT	1
30	12436401/0	PIASTRINA	PLATE	PLAQUE	4
31	33320253/0	FISSACAVO	CLAMP	BANDE	1
33	19865502/0	ELETTOVALVOLA H ₂ O	WATER VALVE	VANNE EAU	1
35	25790620/0	TUBO ACQUA	TUBE	TUYAU	1
37	19810111/0	TUBO ALIMENTAZIONE	WATER INLET TUBE	TUYAU ENTREE EAU	1
37A	19350158/0	GUARNIZIONE TUBO	GASKET	GARNITURE	2
38	25690806/0	SCARICO ACQUA	WATER DRAIN PIPE	ECOULEMENT MACHINE	1
41	19281324/0	FASCETTA	CLAMP	BANDE	1
42	25460020/0	MANICOTTO	COUPLING	ROLLANGE PIED	4
43	25570880/0	PIEDINO	LEVELLING FOOT	PIED	4



1	81410648/0	BASAMENTO	BASE	CHASSIS	1
2B	81418391/0	ASSIEME SCAMBIATORE R134a	EXCHANGER ASSY R134a	EXCHANGER R134a	1
3	81414372/0	CONDENSATORE	CONDENSER	CONDENSATOR	1
4	19864900/0	VALVOLA DI CARICA	CHARGE VALVE	VANNE DE CHARGE	1
5	19863033/0	VALVOLA GAS	GAS VALVE	VANNE DE GAZ	1
6	19165548/0	COMPRESSORE GL 90TB-R134a	COMPRESSOR GL 90TB-R134a	COMPRESSEUR GL 90TB-R134a	1
7	19560131/0	CONDENSATORE DI SPUNTO R134a	START CONDENSER R134a.	CONDENSATEUR DE DEMARRAGE R134a	1
8	19618003/0	RELÉ R134a	RELAY R134a	RELAIS R134a	1
9	19180464/0	CONDENSATORE DI SPUNTO R134a	START CONDENSER R134a	CONDENSATEUR DE DEMARRAGE R134a	1
10	19864900/0	VALVOLA DI CARICA	CHARGE VALVE	VANNE DE CHARGE	1
12	19797023/0	TERMOSTATO DI SICUREZZA (DA APRILE 2000)	SAFETY THERMOSTAT (FROM APRIL 2000)	THERMOSTAT DE SECURITÉ (DEPUIS AVRIL 2000)	1
13	19300802/0	FILTRO (DA APRILE 2000)	DRIER R (FROM APRIL 2000)	DESHYDRATEUR (DEPUIS AVRIL 2000)	1
14	19550620/0	PRESSOSTATO DI MASSIMA (FINO AD APRILE 2000)	HI-PRESSURE CONTROL (TILL APRIL 2000)	PRESSOSTAT (JUSQU'À AVRIL 2000)	1
14A	19550372/0	TERMOSTATO CONDENSATORE (DA APRILE 2000)	PRESSURE THERMOSTAT (FROM APRIL 2000)	THERMOSTAT CONDENSEUR (DEPUIS AVRIL 2000)	1
15	25725437/0	SUPPORTO	SUPPORT	SUPPORT	1
16	19865611/0	VALVOLA PRESSOSTATICA (FINO AD APRILE 2000)	AUTOMATIC WATER VALVE (TILL APRIL 2000)	VANNE A EAU PRESSOSTATIQUE (JUSQU'À AVRIL 2000)	1
19	18562501/0	ELETTOVENTILATORE	FAN MOTOR	VENTILATEUR	1
20-47	19281324/0	FASCETTA	CLAMP	BANDE	2
24	12726389/0	VITE	SCREW	VIS	2
30	81418353/0	SUPPORTO	SUPPORT	SUPPORT	1
35	12436401/0	PIASTRINA	PLATE	PLAQUE	4
36	33320523/0	FISSACAVO	CLAMP	BANDE	1
38	19865509/0	ELETTOVALVOLA ACQUA (FINO AD APRILE 2000)	WATER SOLENOID VALVE (TILL APRIL 2000)	VANNE EAU (JUSQU'À AVRIL 2000)	1
38A	19865538/0	ELETTOVALVOLA ACQUA (DA APRILE 2000)	WATER SOLENOID VALVE (FROM APRIL 2000)	VANNE EAU (DEPUIS AVRIL 2000)	1
40	25790620/0	TUBO ACQUA	TUBE	TUYAU	1
41	81418211/0	TUBO ACQUA	TUBE	TUYAU	1
43	19810111/0	TUBO ALIMENTAZIONE	WATER INLETT TUBE	TUYAU ENTREE EAU	1
43A	19350158/0	GUARNIZIONE DI TUBO	GASKET FOR TUBE	GARNITURE POUR TUYAU	1
44	25690806/0	SCARICO	WATER DRAIN PIPE	ECOULEMENT MACHINE	2
48	25781513/0	TUBO SCARICO	OUTLET TUBE	TUYAU ECOULEMENT	1
50	25460020/0	MANICOTTO	COUPLING	RALLONGE PIED	4
51	25570880/0	PIEDINO	LEVELLING FOOT	PIED	4

Зип Общепит
vsezip.ru
+7(812)987-08-81

Castel MAC SpA

Via del Lavoro, 9 - C.P. 172
I - 31033 Castelfranco Veneto (TV) Italy
Tel. 0423 738452 - Fax 0423 722811
E-mail: service@castelmac.it
Web-site: www.castelmac.it

Cod. 71503398/0 - 12/2006

