

Зип Общепит

vsezip.ru

+7(812)987-08-81

Spare parts - Gram Baker
SF 930

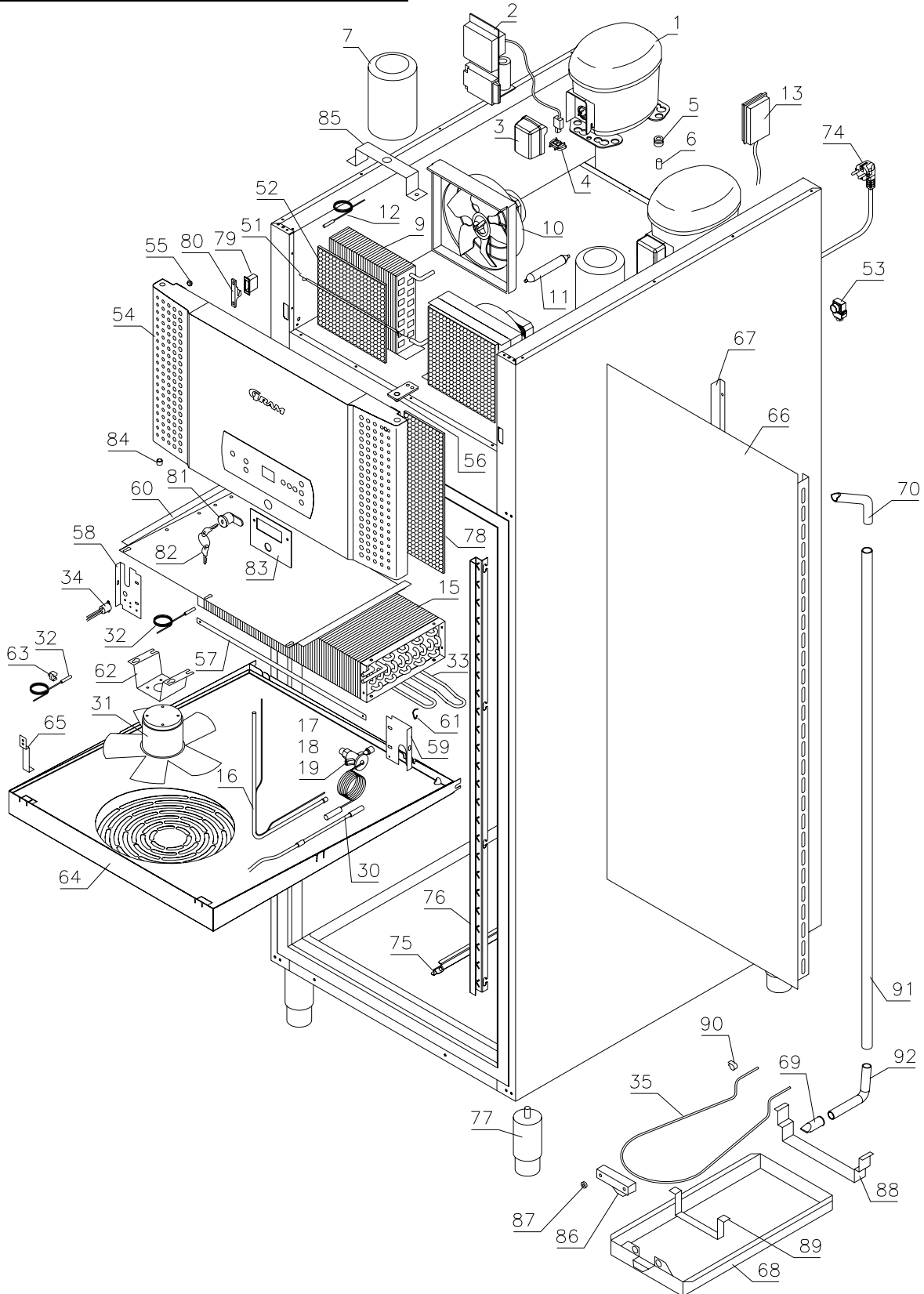


Description :

Spare parts list for GRAM BAKER
 SF 930 CBH/CB

Compiled.		Latest revision.			Deleted.	
Date	Name	Date	Name	Rev. no.	Date	Name
31.05.06	JP	05.04.08	JP	04		

Exploded view – SF 930 CBH

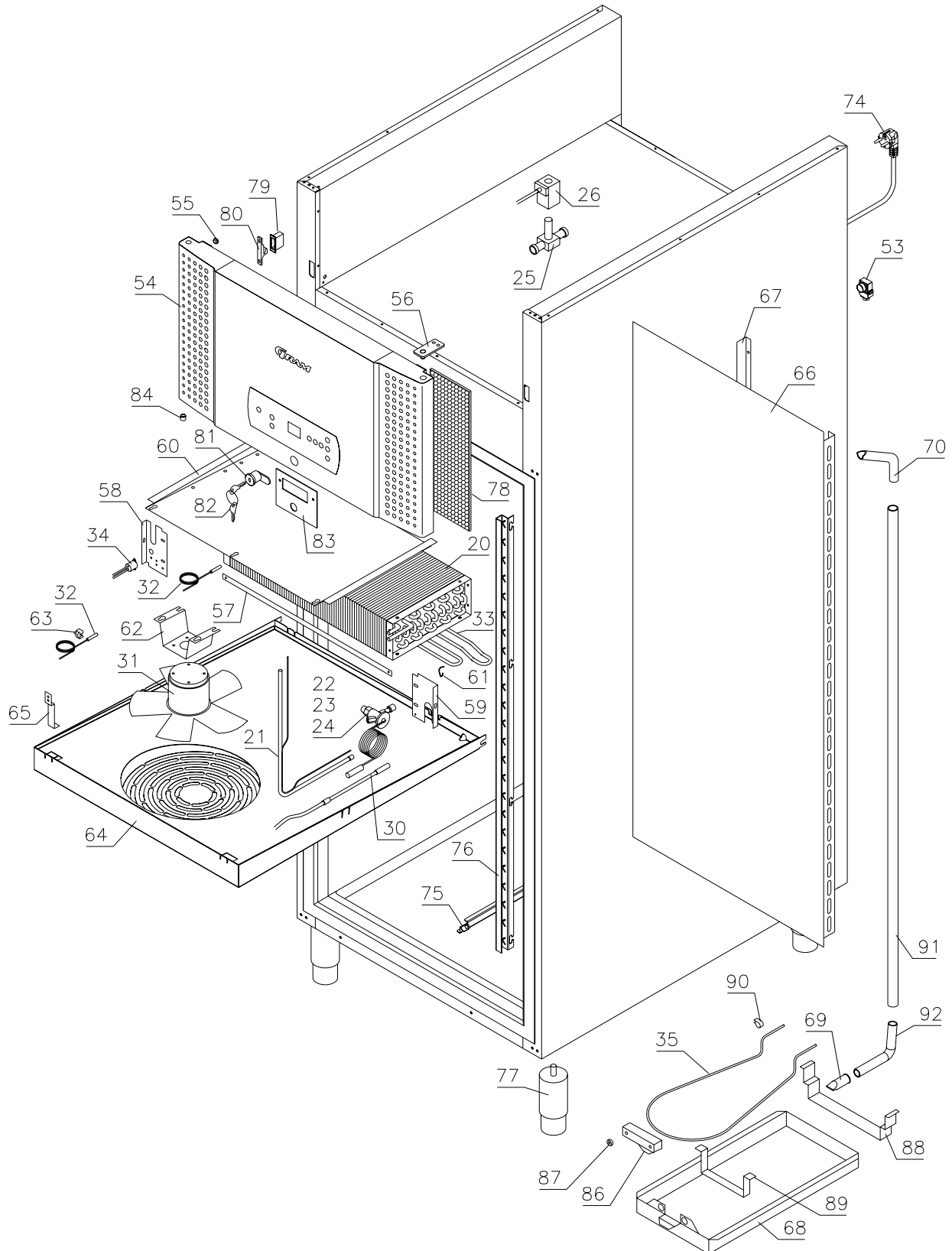


Description :

Spare parts list for GRAM BAKER
 SF 930 CBH/CBF

Compiled.		Latest revision.			Deleted.	
Date	Name	Date	Name	Rev. no.	Date	Name
31.05.06	JP	05.04.08	JP	04		

Exploded view – SF 930 CBF



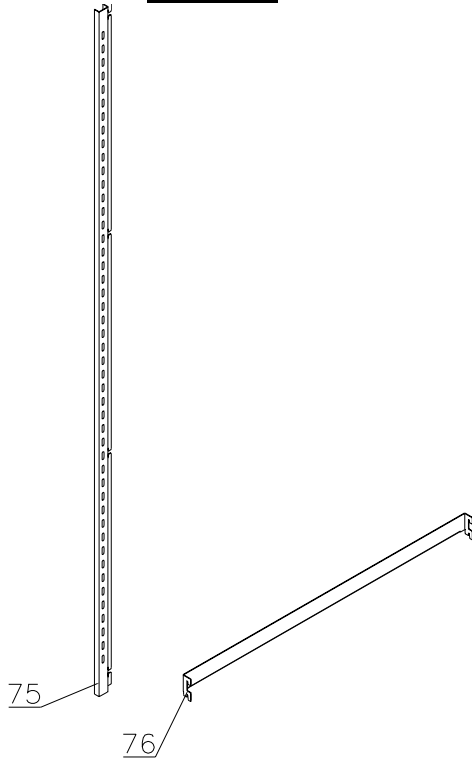
Description :

**Spare parts list for GRAM BAKER
 SF 930 CBH/CBF**

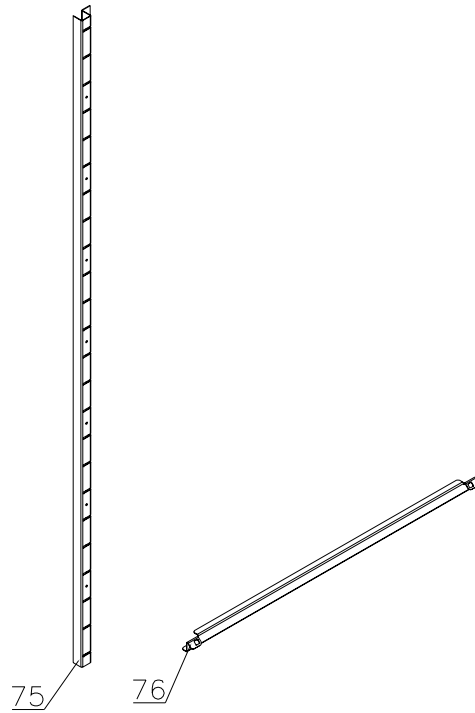
Compiled.		Latest revision.			Deleted.	
Date	Name	Date	Name	Rev. no.	Date	Name
31.05.06	JP	05.04.08	JP	04		

Wall rail / support rail

226 – 247



247 -

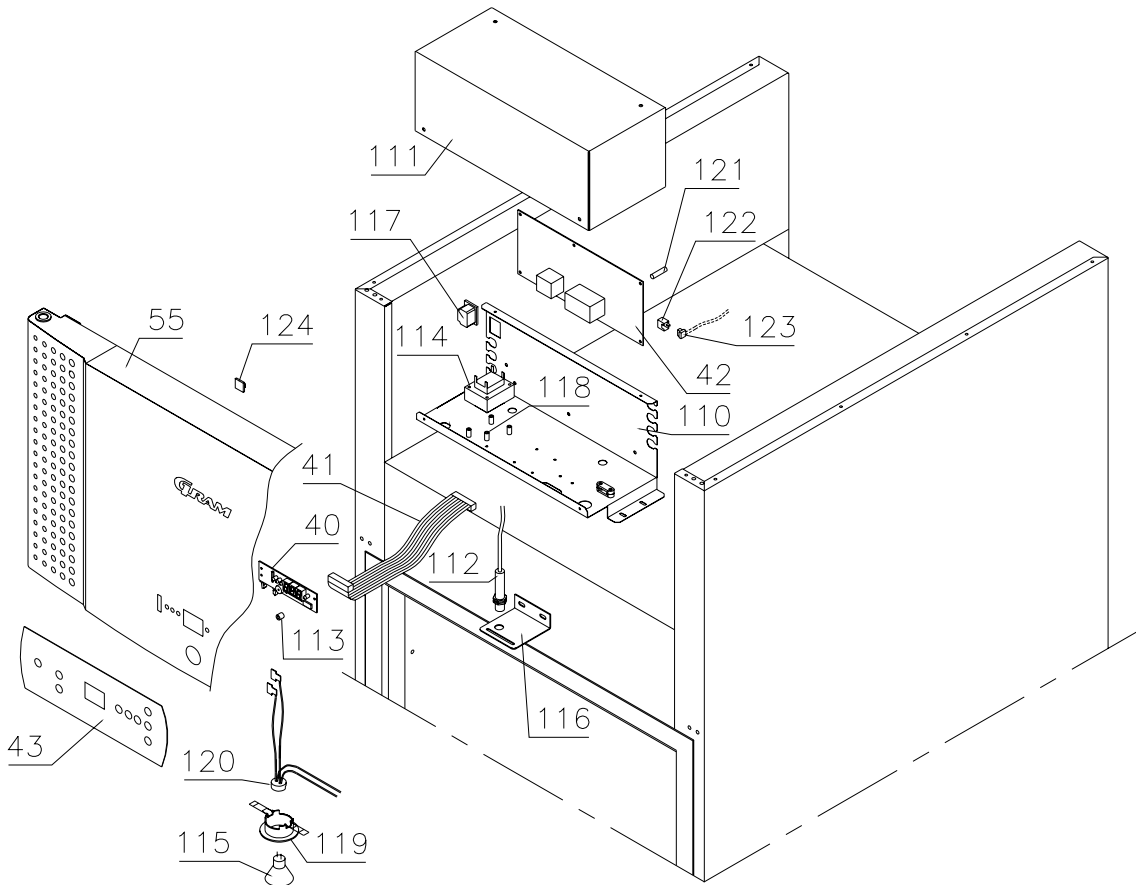


Description :

**Spare parts list for GRAM BAKER
 SF 930 CBH/CBF**

Compiled.		Latest revision.			Deleted.	
Date	Name	Date	Name	Rev. no.	Date	Name
31.05.06	JP	05.04.08	JP	04		

Control panel/electrical parts



Description :

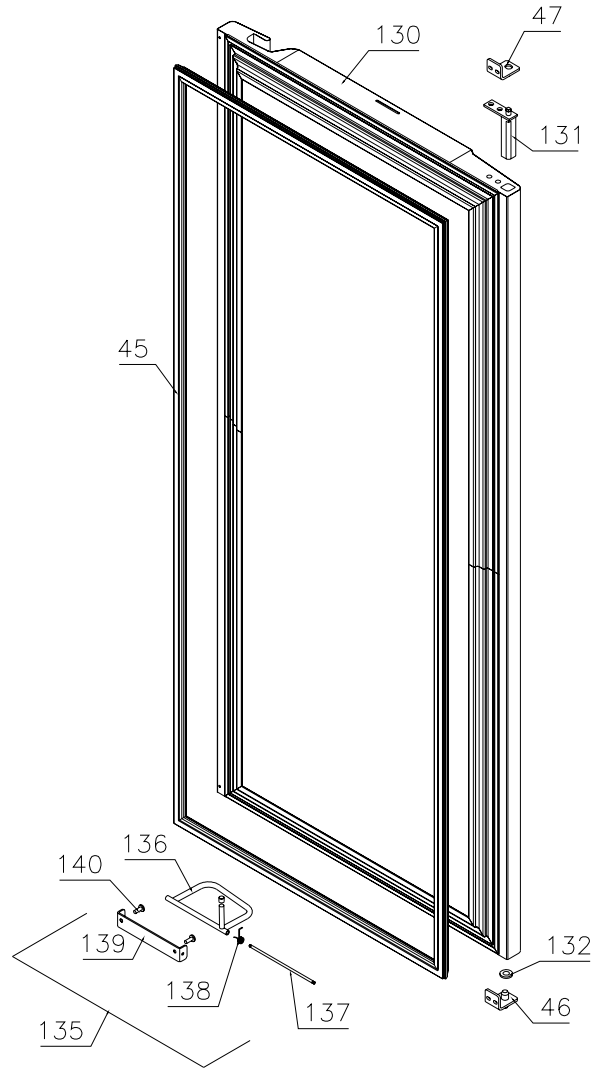
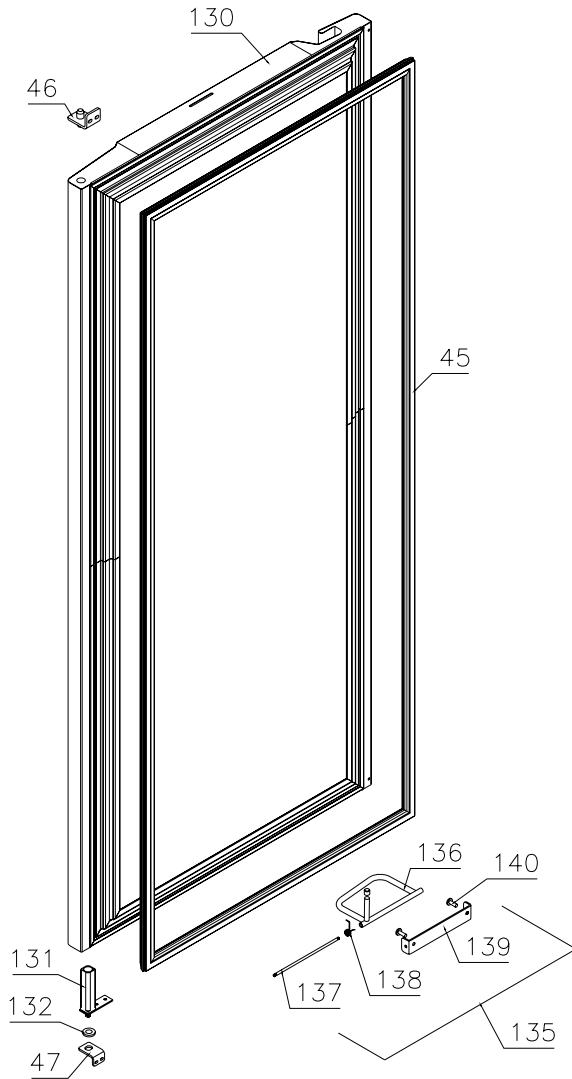
**Spare parts list for GRAM BAKER
 SF 930 CBH/CBF**

Compiled.		Latest revision.			Deleted.	
Date	Name	Date	Name	Rev. no.	Date	Name
31.05.06	JP	05.04.08	JP	04		

Door

Righthand:

Lefthand:



Description :

**Spare parts list for GRAM BAKER
SF 930 CBH/CBF**

Compiled.		Latest revision.			Deleted.	
Date	Name	Date	Name	Rev. no.	Date	Name
31.05.06	JP	05.04.08	JP	04		

Item no.	Description	Gram part no.	week/year introduced	week/year deleted
----------	-------------	---------------	----------------------	-------------------

Essential spare parts

Refrigeration system:

CBH:

1	Compressor SC 18 CL	50-052-0304	226
2	Starting device	45-305-1001	226
3	Cover	45-244-0280	226
4	Cord relief	45-244-0292	226

CBH – 60 Hz:

1	Compressor SC 15 CLX	50-052-0288	226
2	Starting device	45-305-0040	226
3	Cover	45-244-0291	226
4	Cord relief	45-244-0292	226

CBH – common:

5	Rubber foot	76-008-0519	226
6	Bush	76-008-0521	226
7	Receiver	42-595-0010	226
9	Condenser	76-508-0166	226
10	Condenser fan guard compl.	76-508-0190	226
11	Filter drier	76-508-0159	226
12	Condenser sensor	45-353-1500	226
13	Timer relay	45-020-0150	226
15	Evaporator complete	76-125-6919	226
15	Evaporator	76-508-0176	226
16	Heat exchanger	76-008-0963	226
17	Thermostatic valve TS2	41-316-9000	226
18	Orifice assy No. 01	41-316-1331	226
19	Adaptor for thermostatic valve	41-316-3261	226

CBF:

20	Evaporator complete	76-125-6919	226
20	Evaporator	76-508-0176	226
21	Heat exchanger	76-008-0963	226
22	Thermostatic valve TS 2	41-316-9000	226
23	Orifice assy. No. 00	41-316-1300	226
24	Adaptor for thermost. valve	41-316-3261	226
25	Solenoid valve EVR-3	41-010-4002	226
26	Coil for solenoid valve	61-029-6105	226

Description :

**Spare parts list for GRAM BAKER
 SF 930 CBH/CBF**

Compiled.		Latest revision.			Deleted.	
Date	Name	Date	Name	Rev. no.	Date	Name
31.05.06	JP	05.04.08	JP	04		

Item no.	Description	Gram part no.	week/year introduced	week/year deleted
----------	-------------	---------------	----------------------	-------------------

Common parts:

30	Drip water heater 6 W	76-507-1698	226	
31	Evaporator fan 90 W	61-054-0009	226	
32	Temperature/defrost sensor	45-353-1501	226	
33	Defrost heater 600W	76-507-1007	226	
34	Defrost heater safety thermostat	76-507-0828	226	
35	Re-evaporation heater 100 W	76-507-0118	226	

Control panel/electrical parts:

40	Electr. control, display part	61-290-0051	206	
41	Band cable	45-358-2046	206	
42	Electronic control, power part CH - P2+	76-125-6128	206	
42	Electronic control, power part CF - P1-	76-125-6127	206	
43	Label with keys	76-504-0643	206	

Door:

45	Door gasket	76-125-9248	226	
46	Hinge, upper right/bottom left	76-125-9251	226	
47	Hinge, bottom right/upper left	76-125-9250	226	

Description :

**Spare parts list for GRAM BAKER
 SF 930 CBH/CBF**

Compiled.		Latest revision.			Deleted.	
Date	Name	Date	Name	Rev. no.	Date	Name
31.05.06	JP	05.04.08	JP	04		

Item no.	Description	Gram part no.	week/year introduced	week/year deleted
----------	-------------	---------------	----------------------	-------------------

Other spare parts

Cabinet

Parts for ..H cabinets:

51	Attachment spring	76-111-4417	226	
52	Condenser filter	76-111-4423	226	

Common parts:

53	Air relief valve	76-508-1206	226	
54	Control panel, stainless	76-125-8161	226	
55	Control panel plug	76-025-0272	226	
56	Hinge for front panel	76-125-8926	226	
57	Cover rail for evaporator	76-024-3621	226	
58	Cover plate, left	76-125-4622	226	
59	Cover plate, right	76-125-4623	226	
60	Suspension plate for evaporator	76-125-4465	226	
61	Heating element bracket	76-125-4427	226	
62	Fan holder	76-125-6901	226	
63	Cable clip	45-247-0001	226	
64	Defrost water tray	76-125-6022	226	
65	Holder for defrost water tray	76-125-3441	226	
66	Air distribution plate	76-125-4591	226	
67	Rail for air distribution plate	76-024-3634	226	
68	Re-evaporation tray	76-125-5452	226	
69	Water trap	76-008-2891	226	
70	Drain pipe	76-508-1153	226	
74	Lead and plug, DK 3-pin	76-507-0161	226	
74	Lead and plug, Schuko	76-507-0162	226	
74	Lead and plug, Switzerland	76-507-0163	226	
74	Lead and plug, GB	76-507-0164	226	
75	Wall rail, H=17	76-125-4594	226	247
75	Wall rail, H=27	76-125-6476	247	
75	Wall rail, H=83	76-125-3399	226	247
75	Wall rail, H=92	76-125-6469	247	
76	Support rail	76-025-4747	226	247
76	Support rail	76-125-6483	247	
77	Leg, stainless H=135-200	76-508-0143	226	

Description :

**Spare parts list for GRAM BAKER
 SF 930 CBH/CBF**

Compiled.		Latest revision.			Deleted.	
Date	Name	Date	Name	Rev. no.	Date	Name
31.05.06	JP	05.04.08	JP	04		

Item no.	Description	Gram part no.	week/year introduced	week/year deleted
78	Front panel filter	76-125-8491	226	
79	Front panel close latch	76-125-3307	226	
80	Front panel close keeper	76-125-3301	226	
81	Door lock	76-508-0092	226	
82	Key no. 1 (25010)	76-508-0340	226	
82	Key no. 2 (25020)	76-508-0341	226	
82	Key no. 3 (25030)	76-508-0342	226	
82	Key no. 4 (25040)	76-508-0343	226	
82	Key no. 5 (25050)	76-508-0344	226	
83	Bracket for lock	76-125-8747	226	
84	Bush ø12	76-125-4345	226	
85	Receiver holder	76-125-2666	226	
86	Heater/re-evaporation tray suspension	76-125-4376	226	
87	Bush for suspension	76-125-4346	226	
88	Re-evaporation tray holder	76-125-2850	226	
89	Heating element bracket	76-125-3603	226	
90	Cable bracket	45-247-0031	226	
91	Drip water hose	76-125-9254	226	
92	Elbow pipe	76-508-1166	226	

Description :

**Spare parts list for GRAM BAKER
SF 930 CBH/CBF**

Compiled.		Latest revision.			Deleted.	
Date	Name	Date	Name	Rev. no.	Date	Name
31.05.06	JP	05.04.08	JP	04		

Item no.	Description	Gram part no.	week/year introduced	week/year deleted
----------	-------------	---------------	-------------------------	----------------------

Control panel/electrical parts:

110	Junction box	76-225-1130	206	
111	Cover for junction box	76-225-1132	206	
112	Door switch	45-040-0102	206	
113	Distance tube L=8.3 mm	76-508-0021	206	
114	Trafo for lights	76-007-3649	206	476
114	Trafo for lights	76-007-3650	476	
115	Halogen light 10W	45-074-2002	206	
116	Bracket for door switch and lock	76-125-8536	206	
117	Appliance inlet	45-102-2002	206	
118	Distance bush L=16	45-111-9513	206	
119	Mounting socket for halogen light	45-074-2001	206	
120	Wiring for halogen light	76-507-1603	206	
121	Spacer for PCB	45-111-9515	206	
122	Sensor plug holder	45-226-0601	206	
123	Sensor plug	45-226-0600	206	
124	Cable clip	42-435-0001	206	

Description :

**Spare parts list for GRAM BAKER
 SF 930 CBH/CBF**

Compiled.		Latest revision.			Deleted.	
Date	Name	Date	Name	Rev. no.	Date	Name
31.05.06	JP	05.04.08	JP	04		

Item no.	Description	Gram part no.	introduced	week/year	week/year	deleted
----------	-------------	---------------	------------	-----------	-----------	---------

Door:

130	Door	76-125-8878			226	
131	Self-close device	76-125-9909			226	
132	Washer (nylon)	76-025-0524			226	
132	Washer	42-170-8020			226	
135	Foot pedal complete, lefthand	76-125-8167			226	
135	Foot pedal complete, righthand	76-125-8166			226	
136	Pedal arm, lefthand	76-125-8482			226	
136	Pedal arm, righthand	76-125-8407			226	
137	Pedal spindle	76-125-8406			226	
138	Spring for pedal, lefthand	76-025-1364			226	
138	Spring for pedal, righthand	76-025-1363			226	
139	Bracket for pedal	76-125-8404			226	
140	Screw M5x12	42-017-8203			226	