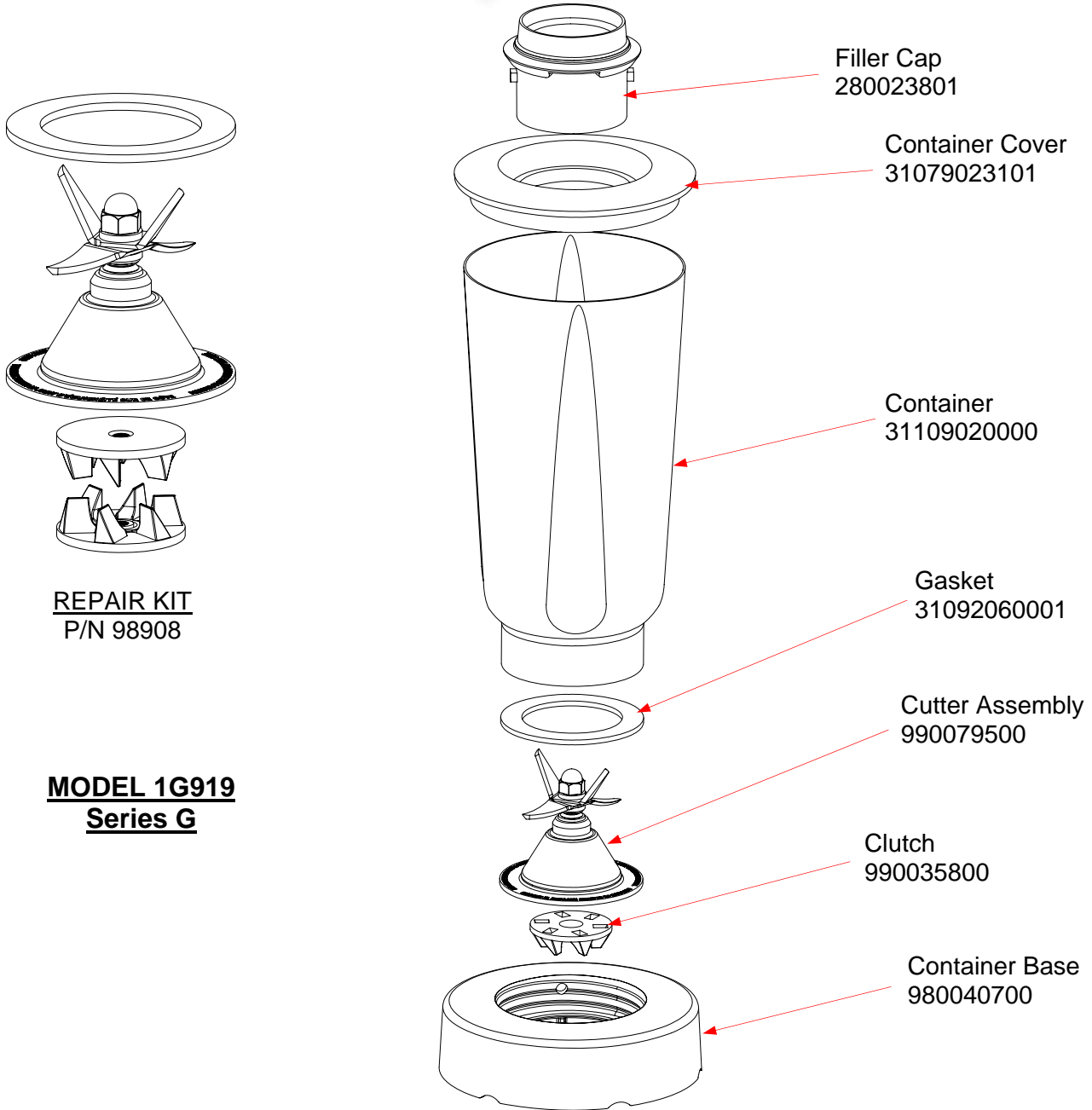


Replacement Parts Diagram 1G919

PROPRIETARY RIGHTS NOTICE This document and all information contained within it is the property of Hamilton Beach Brands, Inc. (HBB). It is confidential and proprietary and has been provided to you for a limited purpose. It must be returned or destroyed upon request. Disclosure, reproduction or use of this document and any information contained within it, in full or in part, for any purpose is forbidden without the prior written consent of HBB. No photographs may be taken of any article fabricated or assembled from this document without the prior written consent of HBB.

+7(812)987-08-81



REPAIR KIT
P/N 98908

MODEL 1G919
Series G

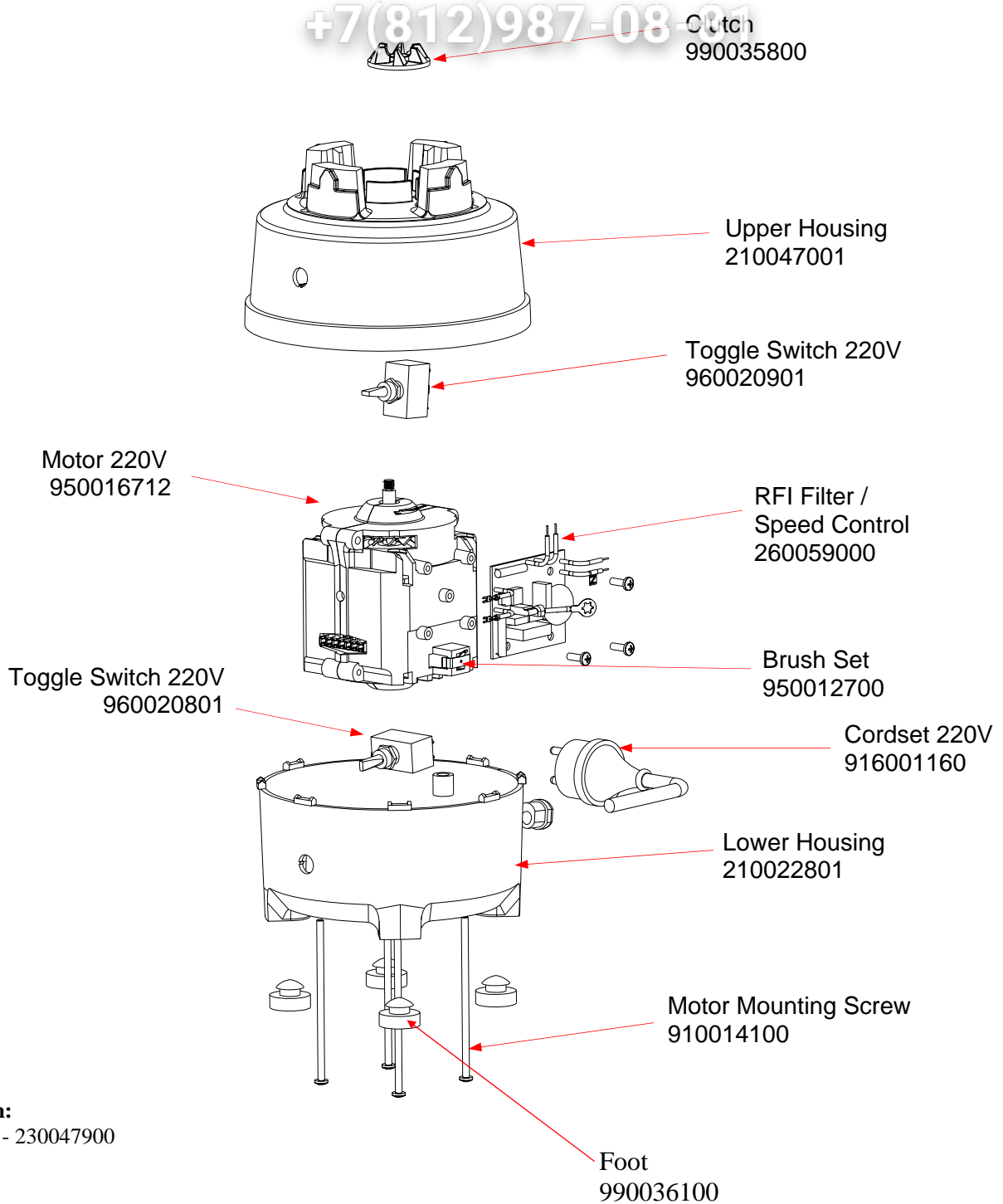
6126-1G919 - COMPLETE CONTAINER ASSEMBLY MODEL 1G919

<p>Hamilton Beach 4421 Waterfront Drive Glen Allen, VA 23060</p>	Revision Description:		Removed Obsolete Parts				
	Request Number:	CME-2759	Revision Date:	7/29/10	Approved by:	CME-2759	
	Issue Code(s):	CS, SP	Page:	1 of 2	Document #:	510009900	Rev:


Replacement Parts Diagram 1G919

PROPRIETARY RIGHTS NOTICE This document and all information contained within it is the property of Hamilton Beach Brands, Inc. (HBB). It is confidential and proprietary and has been provided to you for a limited purpose. It must be returned or destroyed upon request. Disclosure, reproduction or use of this document and any information contained within it, in full or in part, for any purpose is forbidden without the prior written consent of HBB. No photographs may be taken of any article fabricated or assembled from this document without the prior written consent of HBB.

+7(812)987-0801 Clutch
990035800



Not Shown:
Nameplate - 230047900

 Hamilton Beach 4421 Waterfront Drive Glen Allen, VA 23060	Revision Description:		Removed Obsolete Parts			
	Request Number:	CME-2759	Revision Date:	7/29/10	Approved by:	CME-2759
	Issue Code(s):	CS, SP	Page:	2 of 2	Document #:	510009900
					Rev:	F