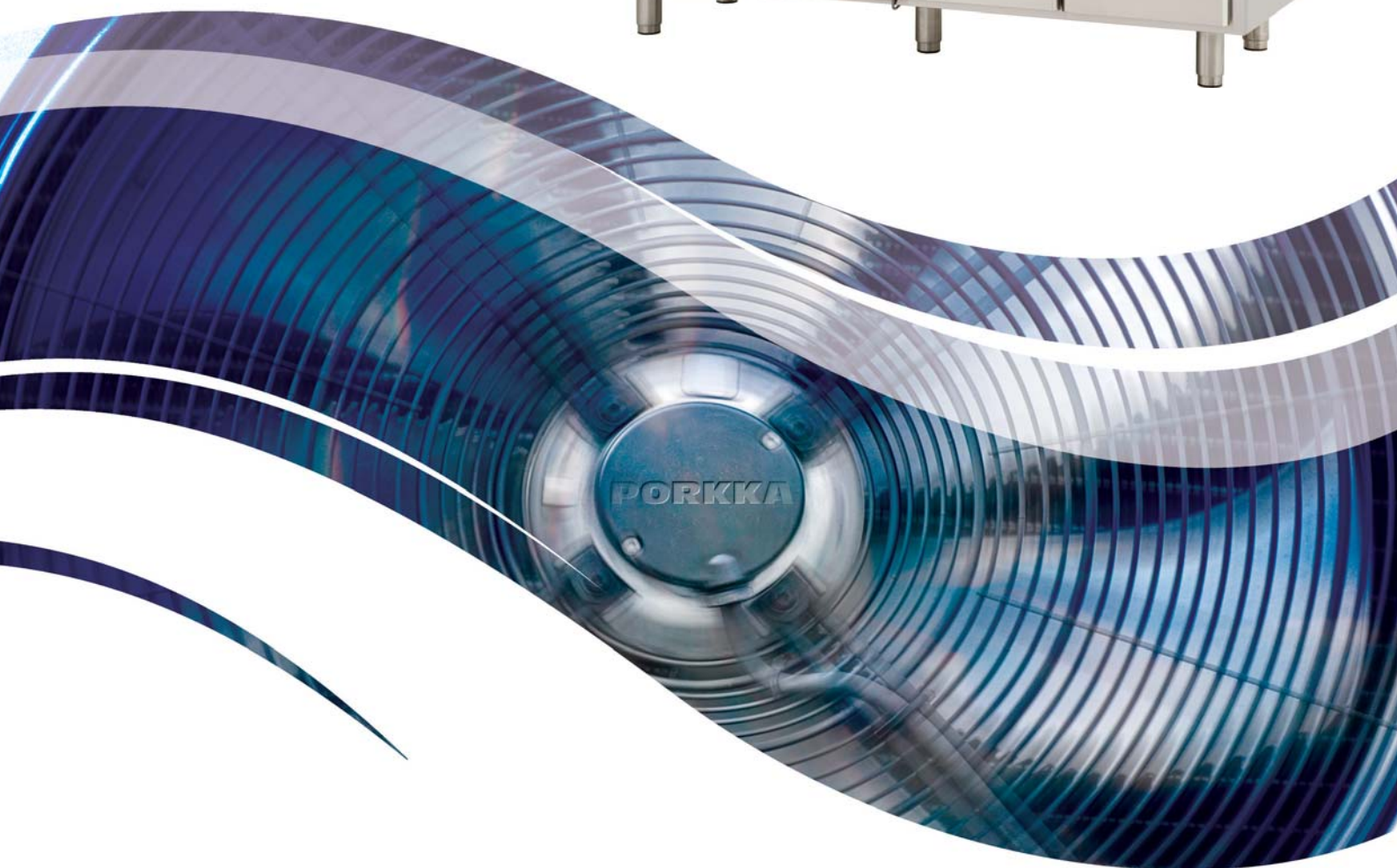


PORKKA Зип Общепит

vsezip.ru

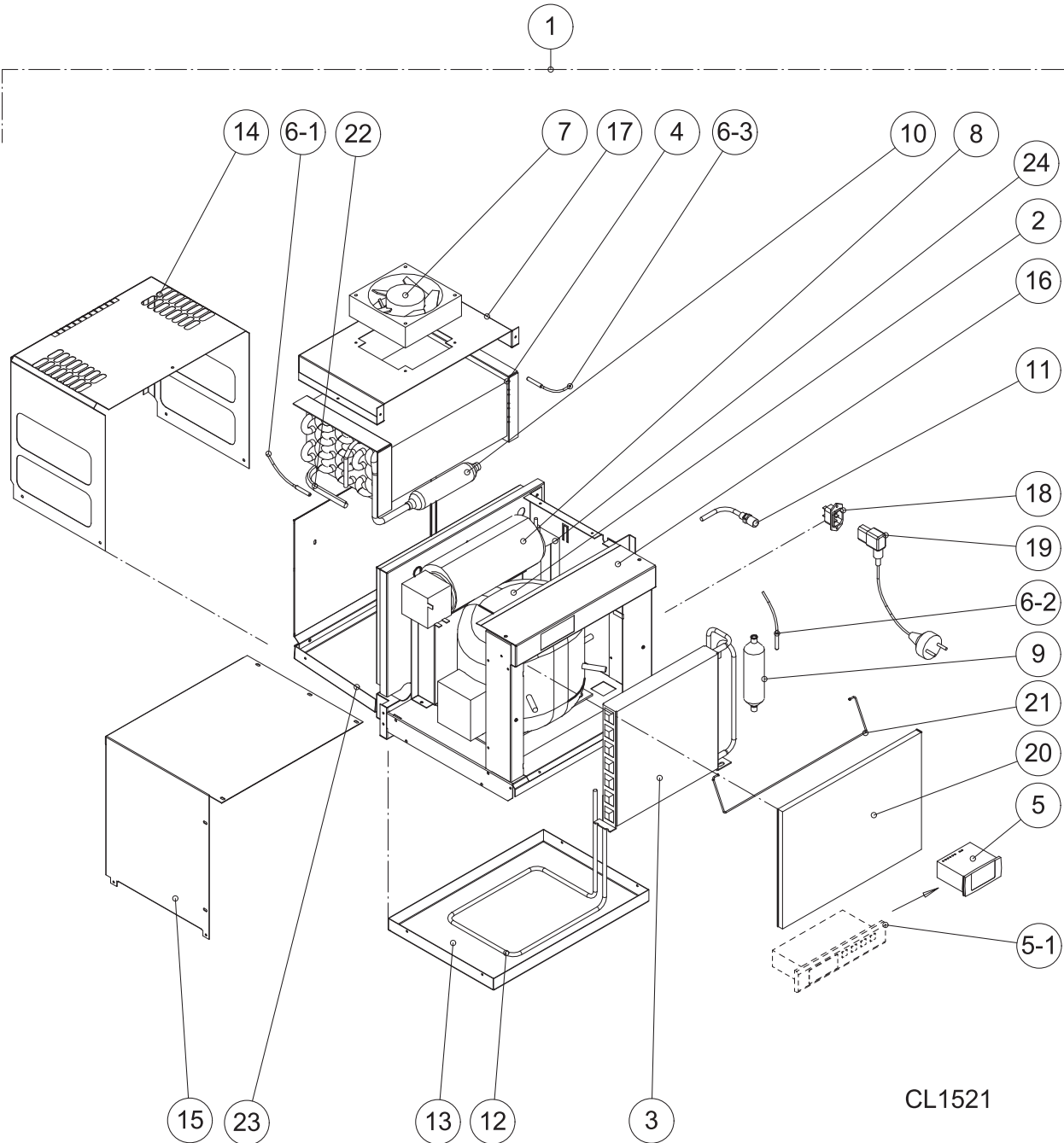
+7(812)987-08-81

Spare parts
CL, CLM Cold Line



NCL KONEKASSETTI, COOLING UNIT

+7(812)987-08-81



CL1521

PORKKA**3ip Общедит
CL, CLM Cold Line**

Spareparts 2012 08

Drawing CL1521

NCL KONEKASSETTI, COOLING UNIT

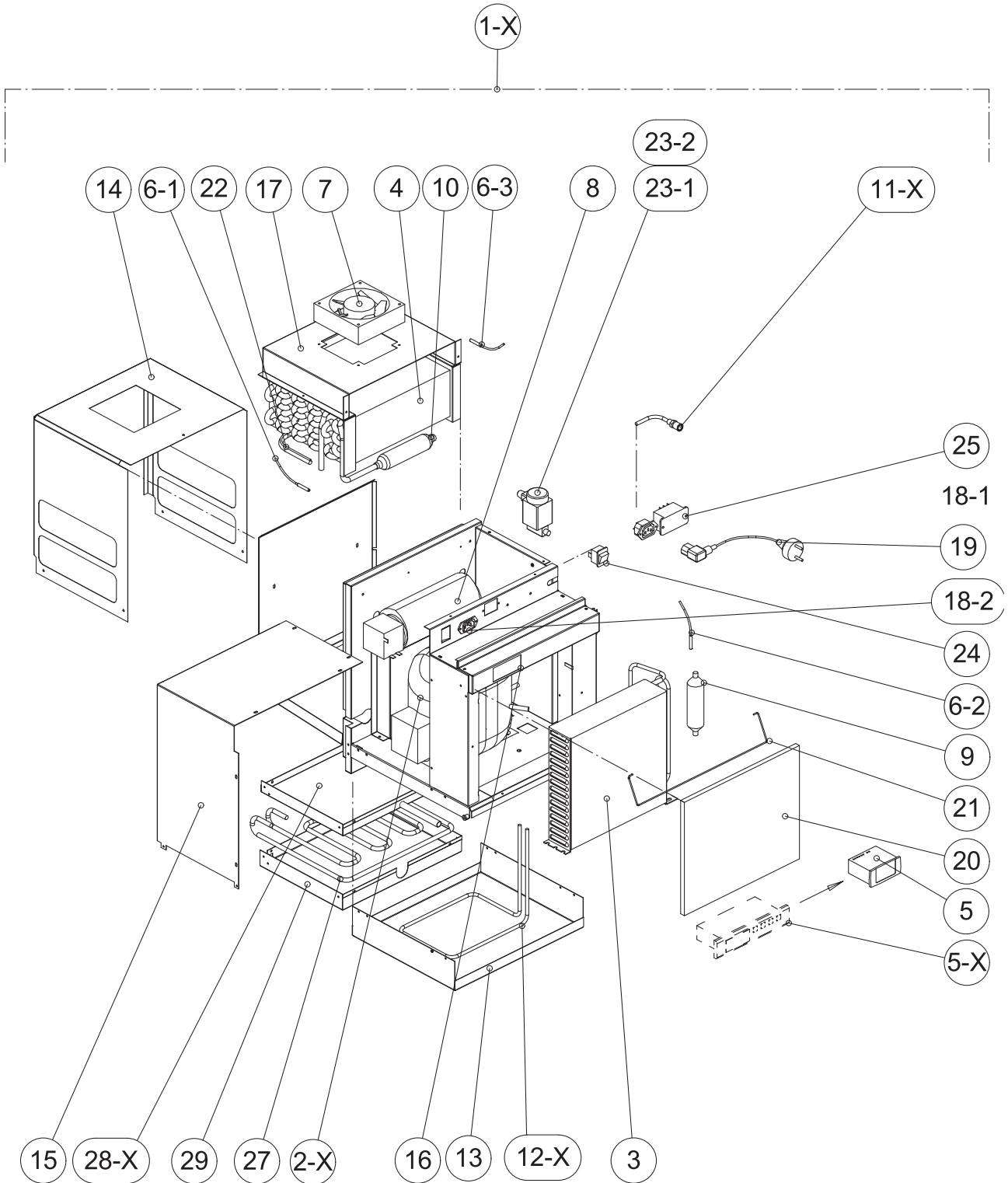
No	Code	Nimike	Description	Huom! Note!
1	SP12600	KONEKASSETTI NCL	COOLING UNIT	
2	SP12510	KOMPRESSORI	COMPRESSOR	
3	SP14704	LAUHDUTIN	CONDENSER	
4	SP10202	HÖYRYSTIN	EVAPORATOR	
5	SP17045	TERMOSTAATTI VALOKYTKIMELLÄ	CONTROL UNIT WITH LIGHT FUNCTION	
5	SP17070	TERMOSTAATTI ILMAN VALOKYTKINTÄ	CONTROL UNIT WITHOUT LIGHT FUNCTION	WEEK 13 / 2014 > *
5-1	XR70/NCL	TERMOSTAATIN VAIHTOSARJA	CONTROL UNIT CHANGE KIT	
6-1	SP17019	LÄMPÖTILA-ANTURI	TEMP. CONTROL SENSOR	
6-2	SP17008	LAUHDUTTIMEN LÄMPÖTILA-ANTURI	CONDENSING TEMP. SENSOR	
6-3	SP17013	HÖYRYSTIMEN SULATUSANTURI	DEFROST TEMP. SENSOR	
7	SP15905 O	HÖYRYSTINPUHALLIN	EVAPORATOR FAN	
8-1	SP15901	LAUHDUTINPUHALLIN	CONDENSER FAN	
8-2	SP15930	LAUHDUTINPUHALLIN ECO	CONDENSER FAN ECO	WEEK 23 / 2012 >
9	6000063	KAPILLAARIKUIVAIN	FILTER DRIER	Was SP12706
10	6000013	JÄLKIÖYRYSTIN	SUCTION ACCUMULATOR	Was SP12707
11-1	6000051	HUOLTOVENTTIILI 6/50 mm ECO	SERVICE VALVE 6/50 mm ECO	Was SP12713
11-2	SP12714	HUOLTOVENTTIILI 6/420mm	SERVICE VALVE	
12	SP12702	HAIHDUTUSKIERUKKA	CONDENSATE TUBE	
13	PK2219	HAIHDUTUSALLAS	DRIP WATER TRAY	
14	PK2233	HÖYRYSTINKOPPA	EVAPORATOR COVER	
15	PK2211	KONEKOPPA	COOLING UNIT COVER	
16	PK2202	SÄÄDINPANEELI	CONTROL CENTER CASE	
17	PK2225	HÖYRYSTINPUHALTIMEN LEVY	EVAPORATOR FAN PLATE	
18	SP16416	KOJELIITIN	JOINTING SLEEVE	
19	SP16650	VERKKOJOHTO	POWER CORD	
20	SP10158	LAUHDUTTIMEN SUODATIN	CONDENSER FILTER	
21	PK2206	SUODATTIMEN PIDIN	FILTER BRACKET	
22	SP12700	IMU-KAPILLAARIPUTKI	SUCTION LINE WITH CAPILLARY	
23	PK2221	TIPPUVESIALLAS	DRIP TRAY	
24	DL3250	TEHOLÄHDE 12V 8A DLCS	TRANSFORMER 12V 8A	

NOTE!

* XR70CX > XR60CX, please ask for wiring diagrams SCL1004 and SCL1005

NCH, NM, NF KONEKASSETTI, COOLING UNIT

+7(812)987-08-81



CL1528

NCH, NM, NF KONEKASETTI, COOLING UNIT

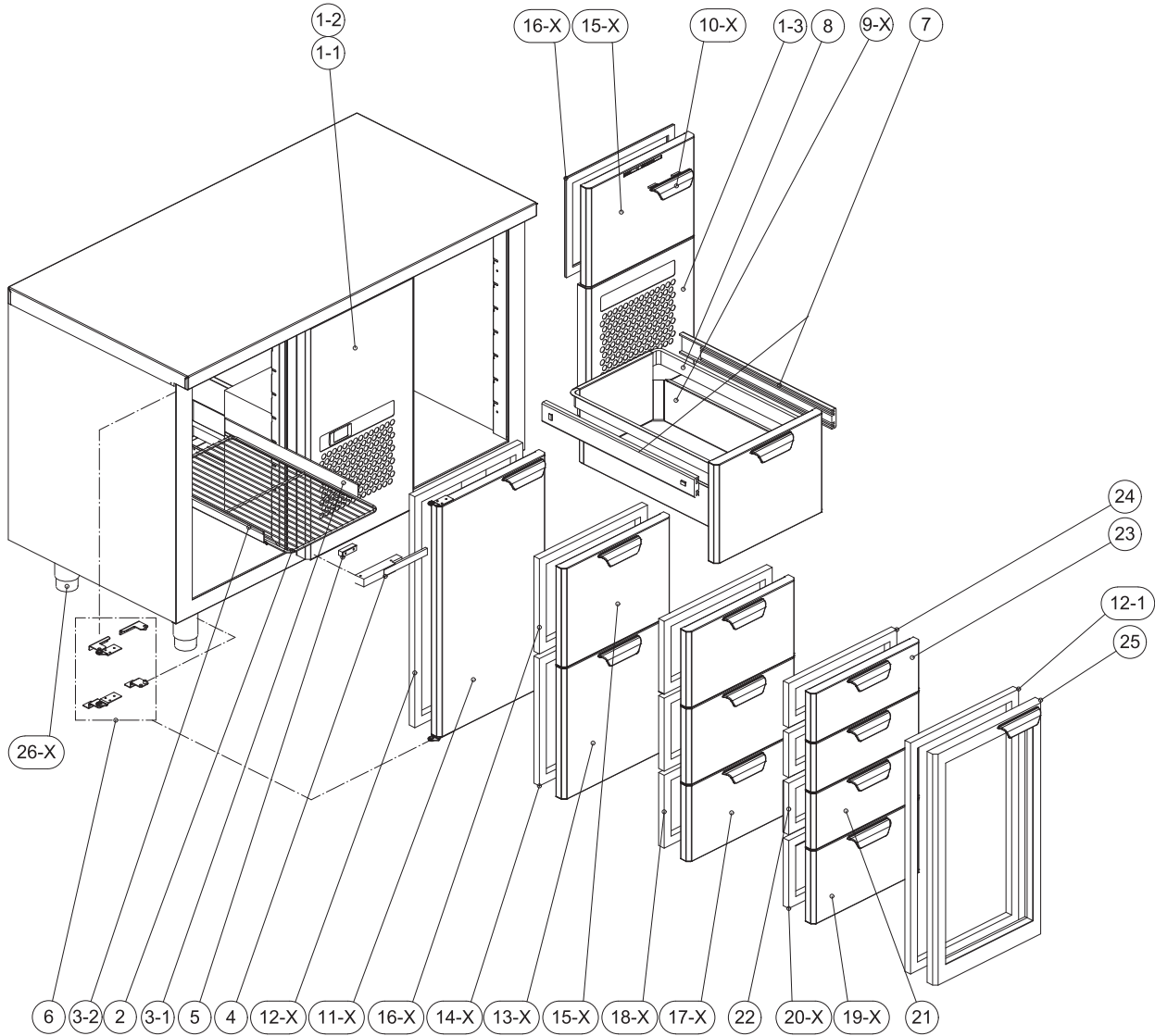
No	Code	Nimike	Description	Huom! Note!
1-1	SP12612	KONEKASETTI NCH	COOLING UNIT NCH	
1-2	SP12611	KONEKASETTI NM	COOLING UNIT NM	
1-3	SP12608	KONEKASETTI NF	COOLING UNIT NF	
2-1	SP12540	KOMPRESSORI NCH, NM	COMPRESSOR NCH, NM	
2-2	SP12527	KOMPRESSORI NF	COMPRESSOR NF	
3	SP14710	LAUHDUTIN	CONDENSER	
4	SP10203	HÖYRYSTIN	EVAPORATOR	
5	SP17045	TERMOSTAATTI VALOKYTKIMELLÄ	CONTROL UNIT WITH LIGHT FUNCTION	
5	SP17070	TERMOSTAATTI ILMAN VALOKYTKINTÄ	CONTROL UNIT WITHOUT LIGHT FUNCTION	WEEK 13 / 2014 > *
5-1	XR70/NCS-NCH	TERMOSTAATIN VAIHTOSARJA	CONTROL UNIT CHANGE KIT	
5-2	XR70/NM-NF	TERMOSTAATIN VAIHTOSARJA	CONTROL UNIT CHANGE KIT	
5-3	XR70/SC-CH	TERMOSTAATIN VAIHTOSARJA	CONTROL UNIT CHANGE KIT	
6-1	SP17019	LÄMPÖTILA-ANTURI	TEMP. CONTROL SENSOR	
6-2	SP17008	LAUHDUTTIMEN LÄMPÖTILA-ANTURI	CONDENSING TEMP. SENSOR	
6-3	SP17013	HÖYRYSTIMEN SULATUSANTURI	DEFROST TEMP. SENSOR	
7	SP15905 O	HÖYRYSTINPUHALLIN NCH, NM, NF	EVAPORATOR FAN	
8-1	SP15901	LAUHDUTINPUHALLIN	CONDENSER FAN	
8-2	SP15930	LAUHDUTINPUHALLIN ECO	CONDENSER FAN ECO	WEEK 23 / 2012 >
9	6000063	KAPILLAARIKUIVAIN	FILTER DRIER	Was SP12706
10	6000013	JÄLKIHOYRYSTIN	SUCTION ACCUMULATOR	Was SP12707
11-1	6000051	HUOLTOVENTTIILI 6/50 MM ECO	SERVICE VALVE 6/50 MM ECO	Was SP12713
11-2	SP12714	HUOLTOVENTTIILI	SERVICE VALVE	
12-1	SP12734	HAIHDUTUSKIERUKKA NCH, NCS	CONDENSATE TUBE NCH, NCS	
12-2	SP12731	HAIHDUTUSKIERUKKA NM, NF	CONDENSATE TUBE NM, NF	
13	PK2220	HAIHDUTUSALLAS	DRIP WATER TRAY	
14	PK2235	HÖYRYSTINKOPPA NCH, NCS	EVAPORATOR COVER NCH, NCS	
14	PK2269	HÖYRYSTINKOPPA NM, NF	EVAPORATOR COVER NM, NF	
15	PK2212	KONEKOPPA	COOLING UNIT COVER	
16	PK2201	SÄÄDINPANEELI	CONTROL CENTER CASE	
17	PK2226	HÖYRYSTINPUHALTIMEN LEVY	EVAPORATOR FAN PLATE	
18-1	SP16415	KOJELIITIN NAARAS	CONNECTOR FEMALE	
18-2	SP16416	KOJELIITIN UROS	CONNECTOR MALE	
19	SP16650	VERKKOJOHTO	POWER CORD	
20	SP10160	LAUHDUTTIMEN SUODATIN	CONDENSER FILTER	
21	PK2205	SUODATTIMEN PIDIN	FILTER BRACKET	
22	SP12740	IMU-KAPILLAARIPUTKI NCH/NCS	SUCTION LINE WITH CAPILLARY NCH/NCS	
23-1	SP12801	MAGNEETTIVENTTIILIN RUNKO NM, NF	SOLENOID VALVE NM, NF	
23-2	SP12802	KELA MAGNEETTIVENTTIILIIN NM, NF	VALVE COIL NM, NF	
24	SC00014	VIRTAKYTKIN NM, NF	POWER SWITCH NM, NF	
25	SP17046	RELE 230V NM, NF	RELAY 230V NM, NF	
26	DL3250	TEHOLÄHDE 12V 8A DLCS	TRANSFORMER 12V 8A	
27	SP12731	HAIHDUTUSPUTKI, TIPPUVESIALLAS NF	EVAPORATING TUBE DRIP TRAY NF	
28-1	PK2222	TIPPUVESIALLAS	DRIP TRAY	
28-2	PK2039	TIPPUVESIALLAS NF	DRIP TRAY NF	
29	PK2335	SUOJAKOTELO TIPPUVESIALLAS NF	DRIP TRAY COVER NF	

NOTE!

* XR70CX > XR60CX, please ask for wiring diagrams SCL1004 and SCL1005

GNH 650

+7(812)987-08-81



CL1523

PORKKA**Зип Общедит Cold Line**

Spareparts 2012 08

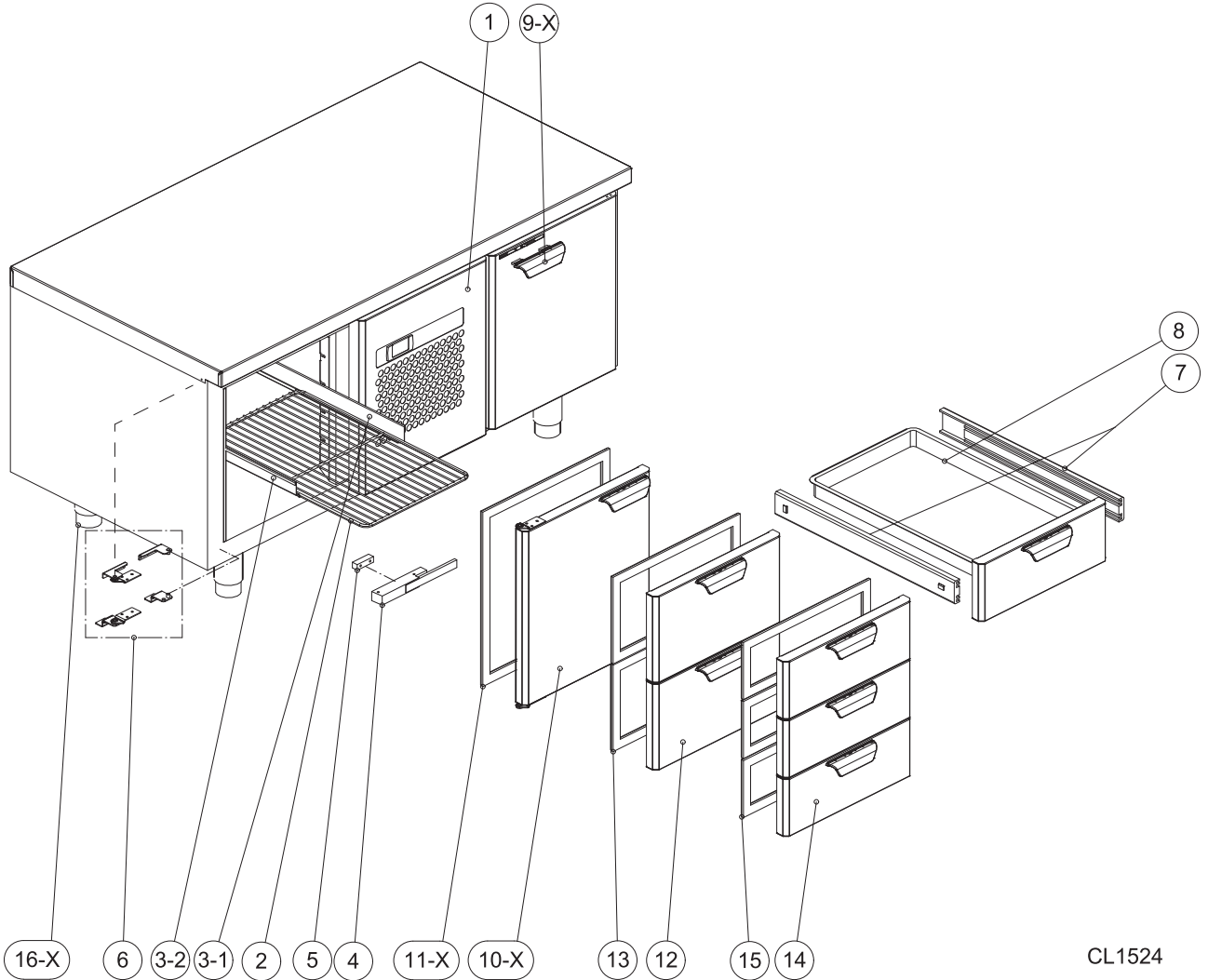
Drawing CL1523

GNH 650

No	Code	Nimike	Description	Huom! Note!
1-1	CL1975	SÄLEIKKÖ NCL	FRONT PANEL NCL	
1-2	CL1978	SÄLEIKKÖ NCS, NCH, NF, NM	FRONT PANEL NCS, NCH, NF, NM	
1-3	CL1977	SÄLEIKKÖ CD	FRONT PANEL CD	
2	SP14500	LANKAHYLLY	SHELF	
3-1	CL1951	GN-JOHDE 1 L-MALLI	GN-RUNNER MODEL L	
3-2	CL1952	GN-JOHDE 2 LL-MALLI	GN-RUNNER MODEL LL	
4	SP14810	MARINE KAHVA	MARINE HANDLE	
5	SP14802	MARINE KAHVAN VASTAKAPPALE	COUNTERPART FOR MARINE HANDLE	
6	S10000	YLÄSARANAT VASEN	UPPER HINGES LEFT	
	S30000	YLÄSARANAT OIKEA	UPPER HINGES RIGHT	
	PK1018-L	YLÄSARANAT VASEN MARINE	UPPER HINGES LEFT MARINE	
	PK1018-R	YLÄSARANAT OIKEA MARINE	UPPER HINGES RIGHT MARINE	
	S20000	ALASARANAT VASEN	LOWER HINGES LEFT	
	S40000	ALASARANAT OIKEA	LOWER HINGES RIGHT	
7	SP10400	TELESKOOPPIKISKOPARI	PAIR OF DRAWER RAILS	
8	L10003E	LAATIKKOKEHÄ	DRAWER FRAME	
9-1	SL6000	SISÄLAATIKKO 150 MM SYVÄ	INNER DRAWER DEPTH 150 MM	
9-2	SL12300	SISÄLAATIKKO 200 MM SYVÄ	INNER DRAWER DEPTH 200 MM	
10-1	DL1270-3	MUOVIKAHVA MUSTA	PLASTIC HANDLE BLACK	
10-2	DL1270-1	MUOVIKAHVA HARMAA	PLASTIC HANDLE GREY	
11-1	CL1870-1R	OVI 390*681 OIKEA + TIIVISTE	DOOR 390*681 RIGHT + GASKET	
11-2	CL1870-1L	OVI 390*681 VASEN + TIIVISTE	DOOR 390*681 LEFT + GASKET	
11-3	CL1879	OVI 390*658 + TIIVISTE MARINE	DOOR 390*658 MARINE	
12-1	SP17210	TIIVISTEKEHÄ OVI 390*681	GASKET DOOR 390*681	
12-2	SP17204	TIIVISTEKEHÄ OVI 390*658 MARINE	GASKET DOOR 390*681 MARINE	
13-1	CL1872-1	MASKI 390*387 + TIIVISTE	DRAWER FRONT 390*387 + GASKET	
13-2	CL2183	MASKI 390*364 + TIIVISTE MARINE	DRAWER FRONT 390*364 + GASKET MARINE	
14-1	SP17211	TIIVISTEKEHÄ 390*387	GASKET DRAWER 390*387	
14-2	SP17202	TIIVISTEKEHÄ 390*364 MARINE	GASKET DRAWER 390*364 MARINE	
15-1	CL1873-1	MASKI 390*292 + TIIVISTE	DRAWER FRONT 390*292 + GASKET	
15-2	CL2182	MASKI 390*269 + TIIVISTE MARINE	DRAWER FRONT 390*269 + GASKET MARINE	
16-1	SP17212	TIIVISTEKEHÄ 390*292	GASKET DRAWER 390*292	
16-2	SP17203	TIIVISTEKEHÄ 390*269 MARINE	GASKET DRAWER 390*269 MARINE	
17-1	CL1874-1	MASKI 390*225 + TIIVISTE	DRAWER FRONT 390*225 + GASKET	
17-2	CL2181	MASKI 390*202 + TIIVISTE MARINE	DRAWER FRONT 390*202 + GASKET MARINE	
18-1	SP17213	TIIVISTEKEHÄ 390*225	GASKET DRAWER 390*225	
18-2	SP17201	TIIVISTEKEHÄ 390*202 MARINE	GASKET DRAWER 390*202 MARINE	
19-1	CL1875-1	MASKI 390*217 + TIIVISTE	DRAWER FRONT 390*217 + GASKET	
19-2	CL2180	MASKI 390*194 + TIIVISTE MARINE	DRAWER FRONT 390*194 + GASKET MARINE	
20-1	SP17215	TIIVISTEKEHÄ 390*217	GASKET DRAWER 390*217	
20-2	SP17201	TIIVISTEKEHÄ 390*194 MARINE	GASKET DRAWER 390*194 MARINE	
21	CL1876-1	MASKI 390*167 + TIIVISTE	DRAWER FRONT 390*167 + GASKET	
22	SP17253	TIIVISTEKEHÄ 390*167	GASKET DRAWER 390*167	
23	CL1877-1	MASKI 390*145 + TIIVISTE	DRAWER FRONT 390*145 + GASKET	
24	SP17216	TIIVISTEKEHÄ 390*145	GASKET DRAWER 390*145	
25-1	PK2001-R	LASIOVI 390*681 OIKEA + TIIVISTE	GLASS DOOR 390*681 RIGHT + GASKET	
25-2	PK2001-L	LASIOVI 390*681 VASEN + TIIVISTE	GLASS DOOR 390*681 RIGHT + GASKET	
26-1	SP10305	KALUSTEJALKA	ADJUSTABLE FOOT	
26-2	SP10306	KALUSTEJALKA MATALA	ADJUSTABLE FOOT LOW	
26-3	MA1074	KALUSTEJALKA MARINE	ADJUSTABLE FOOT MARINE	
26-4	SP16102	PYÖRÄ KÄÄNTYVÄ LUKITTAVA	CASTOR PIVOT WITH BRAKE	
26-5	SP16103	PYÖRÄ KÄÄNTYVÄ	CASTOR PIVOT	

GNL 650

+7(812)987-08-81



CL1524

PORKKA**Зип Общедит**
CL, CLM Cold Line

Spareparts 2012 08

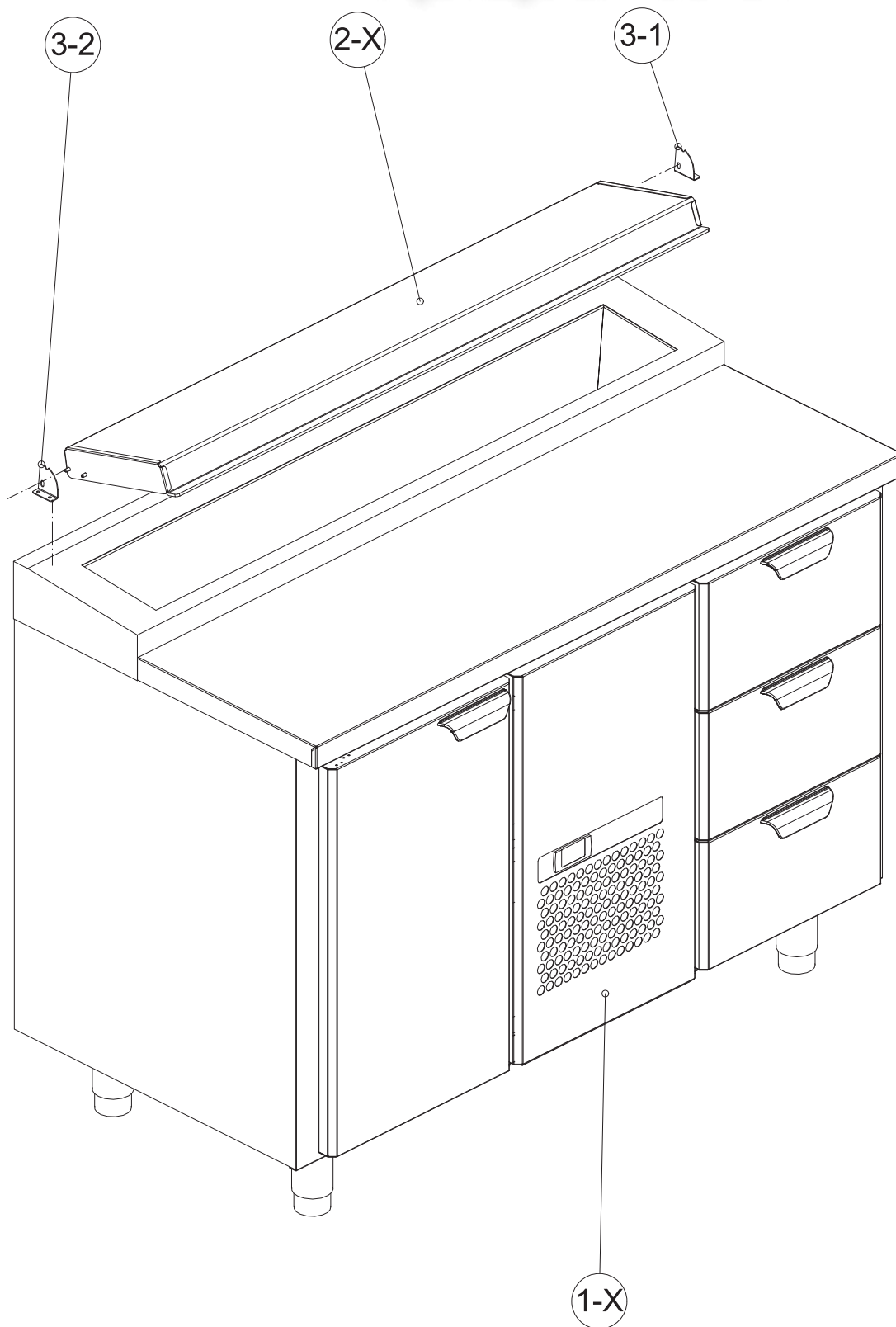
Drawing CL1524

GNL 650

No	Code	Nimike	Description	Huom! Note!
1	CL1976	SÄLEIKKÖ NCL	FRONT PANEL	
2	SP14500	LANKAHYLLY	SHELF	
3-1	CL1951	GN-JOHDE 1 L-MALLI	GN-RUNNER MODEL L	
3-2	CL1952	GN-JOHDE 2 LL-MALLI	GN-RUNNER MODEL LL	
4	SP14810	MARINE KAHVA	MARINE HANDLE	
5	SP14802	MARINE KAHVAN VASTAKAPPALE	COUNTERPART FOR MARINE HANDLE	
6	S10000	YLÄSARANAT VASEN	UPPER HINGES LEFT	
	S30000	YLÄSARANAT OIKEA	UPPER HINGES RIGHT	
	PK1018-L	YLÄSARANAT VASEN MARINE	UPPER HINGES LEFT MARINE	
	PK1018-R	YLÄSARANAT OIKEA MARINE	UPPER HINGES RIGHT MARINE	
	S20000	ALASARANAT VASEN	LOWER HINGES LEFT	
	S40000	ALASARANAT OIKEA	LOWER HINGES RIGHT	
7	SP10400	TELESKOOPPISKOPARI	PAIR OF DRAWER RAILS	
8	L10003E	LAATIKKOKEHÄ	DRAWER FRAME	
9-1	DL1270-3	MUOVIKAHVA MUSTA	PLASTIC HANDLE BLACK	
9-2	DL1270-1	MUOVIKAHVA HARMAA	PLASTIC HANDLE GREY	
10-1	CL1871-1R	OVI 390*437 OIKEA + TIIVISTE	DOOR 390*437 RIGHT + GASKET	
10-2	CL1871-1L	OVI 390*437 VASEN + TIIVISTE	DOOR 390*437 LEFT + GASKET	
10-3	CL1879	OVI 390*414 + TIIVISTE MARINE	DOOR 390*414 MARINE	
12	CL1875-1	MASKI 390*217 + TIIVISTE	DRAWER FRONT 390*217 + GASKET	
13	SP17215	TIIVISTEKEHÄ 390*217	GASKET DRAWER 390*217	
14	CL1877-1	MASKI 390*145 + TIIVISTE	DRAWER FRONT 390*145 + GASKET	
15	SP17216	TIIVISTEKEHÄ 390*145	GASKET DRAWER 390*145	
26-1	SP10305	KALUSTEJALKA	ADJUSTABLE FOOT	
26-2	SP10306	KALUSTEJALKA MATALA	ADJUSTABLE FOOT LOW	
26-3	MA1074	KALUSTEJALKA MARINE	ADJUSTABLE FOOT MARINE	
26-4	SP16102	PYÖRÄ KÄÄNTYVÄ LUKITTAVA	CASTOR PIVOT WITH BRAKE	
26-5	SP16103	PYÖRÄ KÄÄNTYVÄ	CASTOR PIVOT	

P/S

+7(812)987-08-81



CL1525

PORKKA**3ip-Общедит**
CL, CLM Cold Line

Spareparts 2012 08

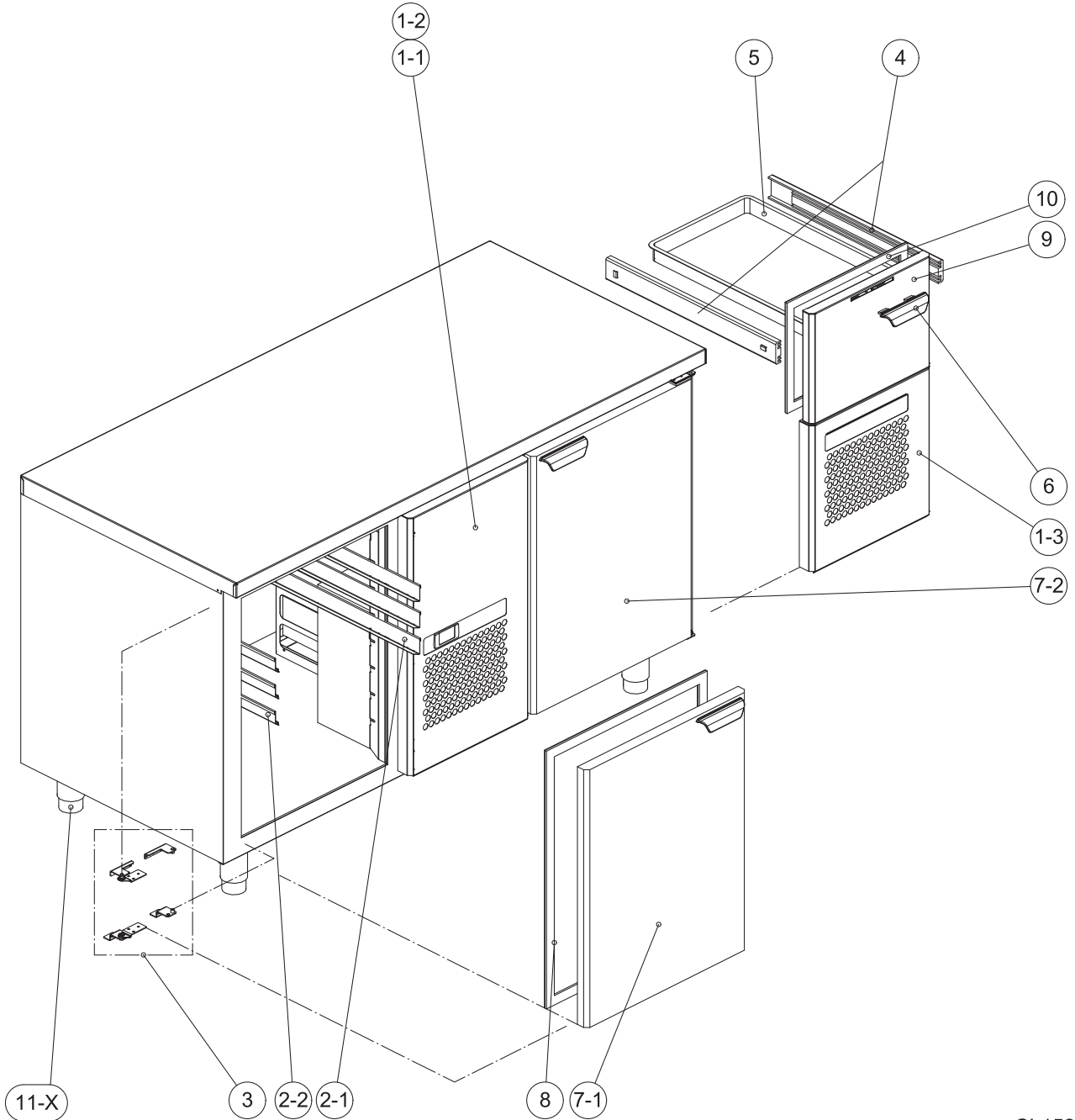
Drawing CL1525

P/S

No	Code	Nimike	Description	Huom! Note!
1-1	CL1975	SÄLEIKKÖ NCL	FRONT PANEL NCL	
1-2	CL1978	SÄLEIKKÖ NCS, NCH, NF, NM	FRONT PANEL NCS, NCH, NF, NM	
2-1	PK2338	LUUKKU 745	LID 745	
2-2	PK2339	LUUKKU 1145	LID 1145	
3-1	PK2342-R	LUUKUN SARANA OIKEA	LID HINGE RIGHT	
3-2	PK2342-L	LUUKUN SARANA VASEN	LID HINGE LEFT	

BPC

+7(812)987-08-81



CL1526

PORKKA**3ip Общедит**
CL, CLM Cold Line

Spareparts 2012 08

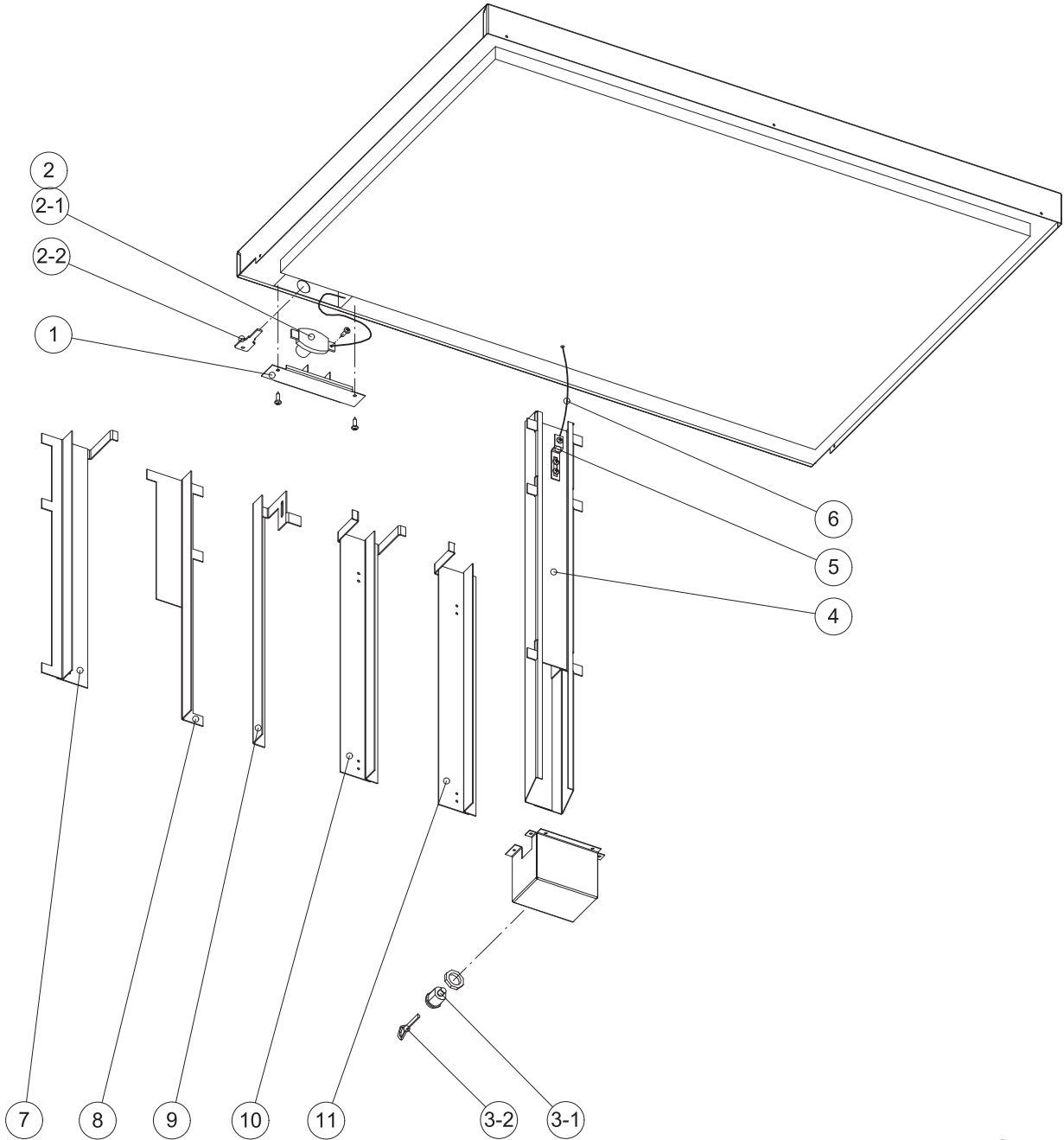
Drawing CL1526

BPC**+7(812)987-08-81**

No	Code	Nimike	Description	Huom! Note!
1-1	CL1975	SÄLEIKKÖ NCL	FRONT PANEL NCL	
1-2	CL1978	SÄLEIKKÖ NCS, NCH, NF, NM	FRONT PANEL NCS, NCH, NF, NM	
1-3	CL1977	SÄLEIKKÖ CD	FRONT PANEL CD	
2-1	CL1951	GN-JOHDE 1 L-MALLI	GN-RUNNER MODEL L	
2-2	CL1952	GN-JOHDE 2 LL-MALLI	GN-RUNNER MODEL LL	
3	S10000	YLÄSARANAT VASEN	UPPER HINGES LEFT	
	S30000	YLÄSARANAT OIKEA	UPPER HINGES RIGHT	
	PK1018-L	YLÄSARANAT VASEN MARINE	UPPER HINGES LEFT MARINE	
	PK1018-R	YLÄSARANAT OIKEA MARINE	UPPER HINGES RIGHT MARINE	
	S20000	ALASARANAT VASEN	LOWER HINGES LEFT	
	S40000	ALASARANAT OIKEA	LOWER HINGES RIGHT	
4	SP10400	TELESKOOPPIKISKOPARI	PAIR OF DRAWER RAILS	
5	L10003E	LAATIKKOKEHÄ	DRAWER FRAME	
6-1	DL1270-3	MUOVIAHVA MUSTA	PLASTIC HANDLE BLACK	
6-2	DL1270-1	MUOVIAHVA HARMAA	PLASTIC HANDLE GREY	
7-1	SP15235	OVI 530*681 OIKEA + TIIVISTE	DOOR 530*681 RIGHT + GASKET	
7-2	SP15234	OVI 530*681 VASEN + TIIVISTE	DOOR 530*681 LEFT + GASKET	
8	SP17256	TIIVISTEKEHÄ OVI 530*681	GASKET DOOR 530*681	
9	CL1873-1	MASKI 390*292 + TIIVISTE	DRAWER FRONT 390*292 + GASKET	
10	SP17212	TIIVISTEKEHÄ 390*292	GASKET DRAWER 390*292	
11-1	SP10305	KALUSTEJALKA	ADJUSTABLE FOOT	
11-2	SP10306	KALUSTEJALKA MATALA	ADJUSTABLE FOOT LOW	
11-3	MA1074	KALUSTEJALKA MARINE	ADJUSTABLE FOOT MARINE	
11-4	SP16102	PYÖRÄ KÄÄNTYVÄ LUKITAVA	CASTOR PIVOT WITH BRAKE	
11-5	SP16103	PYÖRÄ KÄÄNTYVÄ	CASTOR PIVOT	

KESKUSLUKKO - CENTRAL LOCK

+7(812)987-08-81



CL1527

PORKKA**Зип-Общедит**
CL, CLM Cold Line

Spareparts 2012 08

Drawing CL1527

KESKUSLUKKO - CENTRAL LOCK

No	Code	Nimike	Description	Huom! Note!
1	L20006	LUKON PEITELEVY	COVER PLATE FOR LOCK	
2	SP14807	LUKKO (HÄFELE 237.75.600)	LOCK (HÄFELE 237.75.600)	
2-1	SP14808	LUKKOSYLINTERI (HÄFELE)	LOCK CYLINDER (HÄFELE)	
2-2	SP14814	AVAIN (HÄFELE)	KEY (HÄFELE)	
3-1	SP14805	LUKKOPESÄ (ABLOY)	LOCK CYLINDER (ABLOY)	
3-2	SP14813	AVAIN (ABLOY)	KEY (ABLOY)	
4	L11000	LUKKOTOLPPA-1	KEY POLE-1	
5	L20004	LANGAN KIINNITIN	WIRE ROPE FASTENER	
6	SP14812	LANKA	WIRE ROPE	
7	L14000	LUKKOTOLPPA-4	KEY POLE-4	
8	L12000	LUKKOTOLPPA-2	KEY POLE-2	
9	L15000	LUKKOTOLPPA-5	KEY POLE-5	
10	L13000	LUKKOTOLPPA-3	KEY POLE-3	
11	L16000	LUKKOTOLPPA-6	KEY POLE-6	

Зип Ощепит

vsezip.ru

Porkka in Finland is an internationally recognised designer and manufacturer of Refrigeration and Food Storage/Display Equipment

7(012)987-08-81

Porkka in Finland is an internationally recognised designer and manufacturer of Refrigeration and Food Storage/Display Equipment. The range incorporates Chilled, Frozen and Heated options. Major clients include commercial kitchens, restaurants, fast food outlets, hotels, industrial canteens, hospitals, laboratories and retailers throughout the World.

Our main markets outside of Finland include Scandinavia, United Kingdom, Germany, Switzerland, Holland, Belgium, Russia and the Baltic regions. 80% of the companies' turnover is derived from foreign transactions and exports. On going and adaptive development by numerous foreign representatives ensures our continued growth.

Porkka's success is based on decades of experience, customer focused design and continuous product development.

Porkka is part of the Huurre Group. Porkka and Huurre brands are well known for their quality and reliability throughout the world.



Porkka designs and manufactures to a quality standard ISO 9001 which is controlled and certified by Lloyd's Register Quality Assurance. We also hold the environmental certificate ISO 14001 which also has been issued by LRQA, where environment impact in production is kept to a minimum.

CE marked products. The manufacturer through continuous research and development reserves the right to change technical specification and design without notice.

Porkka reserves the right to make any changes without prior notice.

PORKKA

Porkka in Finland
Mukkulankatu 19
FI-15210 Lahti, Finland
Tel. +358 20 5555 12
Fax +358 20 5555 497
e-mail: contact@porkka.com
www.porkka.com

Porkka in Sweden
Industrigatan 21
S-61933 Trosa, Sweden
Tel. +46 156 348 40
Fax +46 156 167 50
e-post: porkka@porkka.se
www.porkka.se

Porkka in Norway
Ringeriksveien 16
N-3414 Lierstranda, Norway
Tel. +47 66 98 77 77
Fax +47 66 98 77 88
e-post: salg@porkka.no
www.porkka.no

Porkka in UK
29B Greenhill Crescent
Watford Business Park, Watford
Hertfordshire, WD18 8YB, UK
Tel. +44 1923 23 36 75
Fax +44 1923 80 57 17
e-mail: sales@porkka.co.uk
www.porkka.co.uk