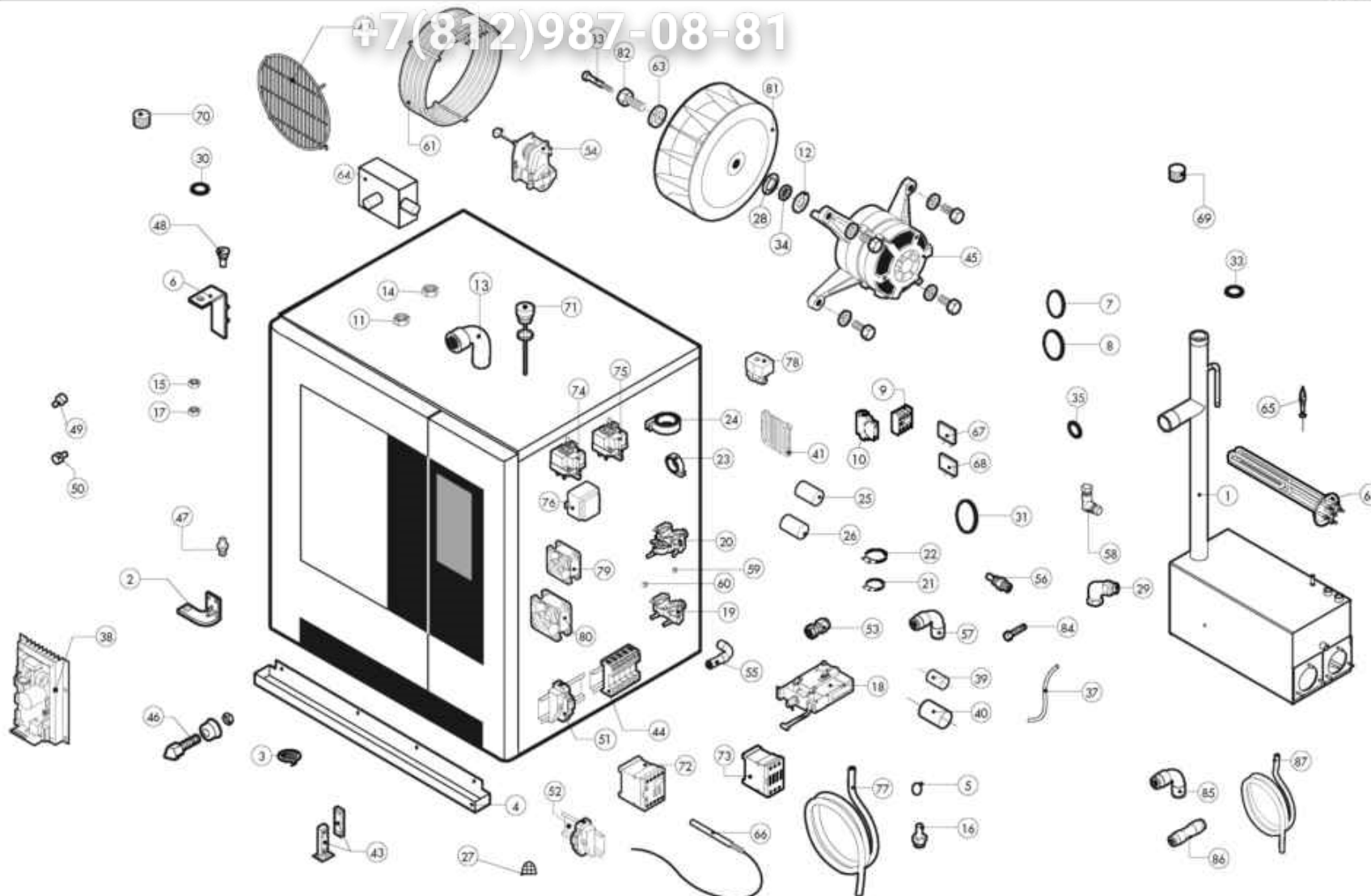


ATTENZIONE: PER TENSIONI SPECIALI, SPECIFICARE SEMPRE IL MODELLO DI FORNO ELETTRICO E IL NUMERO DI SERIE.
ATTENTION: FOR SPECIAL VOLTAGES, PLEASE ALWAYS SPECIFY THE OVEN MODEL AND THE SERIAL NUMBER.

ATTENTION: POUR TENSIONS SPÉCIALES, MERCI DE SPÉCIFIER TOUJOURS LE MODÈLE DU FOUR ET LE NUMÉRO DE SÉRIE.
ACHTUNG: BEI SONDERSPANNUNGEN, BITTE IMMER OFEN-MODELL UND SERIENNUMMER GEBEN.

ed.0614

+7(812)987-08-81



TAV. A

NAEB101

| Pos. | Code | Codice precedente | Description | Notes | From: | To: |
|------|-------------|-------------------|--|-------|----------|-----------|
| 0001 | LAR14217020 | | BOILER [C] GEMT10/NA-SAE101 | | | |
| 0002 | LA11207240 | LAR11207240 | LOWER HINGE KIT [C] M-V/061-101-102 2005 | | | |
| 0003 | LA10201710 | LAR10201710 | FILTER [C] D.86/44.5 M/210-12 | | | |
| 0004 | LAR69180210 | | DRAIN CONTAINER [C] N/S071-101 2014 | | | |
| 0005 | LA62070023 | LAR62070023 | BICONE [C] D. 6 | | | |
| 0006 | LA14402130 | LAR14402130 | HINGE [C] | | | |
| 0008 | LA70010370 | LAR70010370 | GASKET [C] | | | |
| 0009 | LA65140420 | LAR65140420 | CONTACT [C] 1L+1R 3RH1911-1FA11 | | | 7/31/2016 |
| 0009 | LA65140930 | | CONTACT [C] 1L+1R 3RH2911-1HA11 | | 8/1/2016 | |
| 0010 | LA65140430 | LAR65140430 | CONTACT [C] 1L+1R 3RH1921-1FA11 | | | 7/31/2016 |
| 0010 | LA65140940 | | CONTACT [C] 1L+1R 3RH2921-1DA11 | | 8/1/2016 | |
| 0011 | LA65240040 | LAR65240040 | LOCK NUT [C] FOR CONNECTION 107 Z/29 | | | |
| 0012 | LA58003850 | LAR58003850 | COUNTER FLANGE [C] LARGE | | | |
| 0013 | LA62280038 | LAR62280038 | CURVE [C] D.50 D.50X | | | |
| 0014 | LAR58004030 | | INOXNUT [C] 11/4X8 M/110-210 | | | |
| 0015 | LA58004050 | LAR58004050 | NUT [C] FOR HINGE PIN M/106-220 | | | |
| 0016 | LA62060223 | LAR62060223 | NUT [C] D. 6 | | | |
| 0017 | LA58000360 | LAR58000360 | NUT [C] FOR HINGE PIN N/S 2014 | | | |
| 0018 | LA62200172 | LAR62200172 | SHOWER HEAD [C] N071/101/072/102 2014 | | | |
| 0019 | LAR65110210 | | SOLENOID VALVE [C] 220V 50HZ 2 WAYS | | | 3/2/2015 |
| 0019 | LAR65110330 | | DOUBLE SOLENOID VALVE 2 WAYS 230V 50/60HZ OUT J.G. D.10 | | 3/3/2015 | |
| 0020 | LAR65110240 | | SOLENOID VALVE [C] 220V 50HZ 2P+1D 3 WAYS | | | 3/2/2015 |
| 0020 | LAR65110360 | | DOUBLE SOLENOID VALVE 3 WAY D.10 | | 3/3/2015 | |
| 0021 | LA61630011 | LAR61630011 | ZINC CLAMP [C] 12-22/9 | | | |
| 0022 | LAR61630031 | | ZINC CLAMP [C] 40-60/9 | | | |
| 0023 | LA65280480 | LAR65280480 | FERRITE [C] FT25 | | | |
| 0024 | LAR65280510 | | FERRITE TOROIDALE FT58 | | | |
| 0025 | LA65280240 | LAR65280240 | FILTER [C] | | | |
| 0027 | LA69180250 | LAR69180250 | FILTER [C] BASIN DRAINAGE | | | |

| Pos. | Code | Codice precedente | Description | Notes | From: | To: |
|------|-------------|-------------------|---|----------------------|----------|-----------|
| 0028 | LA58003840 | LAR58003840 | FLANGE [C] | | | |
| 0029 | LA62080093 | LAR62080093 | JOINT [C] MF 1 | | | |
| 0030 | LAR70050150 | | GASKET [C] BOILER CAP | | | |
| 0031 | LA70030180 | | GASKET [C] 80X50,3X3 | | | |
| 0033 | LA70050140 | LAR70050140 | GASKET [C] BOILER CAP | | | |
| 0034 | LA70020050 | LAR70020050 | GASKET [C] | | | |
| 0035 | LA70010030 | LAR70010030 | GASKET [C] 6,07X1,78 | | | |
| 0037 | LA80120030 | LAR80120030 | PIPE [C] | | | |
| 0038 | LAR65140090 | | INVERTER [C] 0,8KW | UL Version (USA-CAN) | | |
| 0038 | LAR65140890 | | INVERTER [C] 0,8KW | | | |
| 0039 | LAR70060080 | | COUPLING [C] D. 13X18X80 | | | |
| 0040 | LA70060040 | LAR70060040 | COUPLING [C] D. INT 51 D. EXT 59 | | | |
| 0041 | LAR75300020 | | PLATE [C] FAN D.120 | | | |
| 0042 | LA75300070 | LAR75300070 | PLATE [C] FAN D.350 N/S101 2014 | | | |
| 0043 | LAR65265100 | | MICROSWITCH [C] | | | |
| 0044 | LA65220290 | LAR65220290 | TERMINAL BOARD [C] LX1 (TYPE 3) | | | |
| 0045 | LA65160550 | LAR65160550 | SUPPORT [C] | UL Version (USA-CAN) | | 7/31/2016 |
| 0045 | LA65160580 | LAR65160580 | HEAT-GUARD [C] 1,8-2,5 | UL Version (USA-CAN) | | 7/31/2016 |
| 0045 | LA65160810 | | SUPP.TERMICO 3RU2916-3AA01 | UL Version (USA-CAN) | 8/1/2016 | |
| 0045 | LA65160840 | | TERM.MOT.3RU2116-1CB0 1,8-2,5 | UL Version (USA-CAN) | 8/1/2016 | |
| 0045 | LAR65040530 | | MOTOR [C] 200/440V 0,55KW F3 4P | | | |
| 0045 | LAR65041210 | | MOTOR [C] 240/480V 60HZ 0,55KW F3 | UL Version (USA-CAN) | | |
| 0045 | LAR65200400 | | FUSIBILE X MOT. KTK-R-6 600V 6A CL. CC | UL Version (USA-CAN) | | |
| 0045 | LAR65210110 | | PORTAFUSIBILE BUSMANN BCC3X38 (2306338) | UL Version (USA-CAN) | | |
| 0046 | LA69010260 | LAR69010260 | PRONG [C] | | | |
| 0046 | LAR69010270 | | PRONG [C] | | | |
| 0047 | LA58002670 | LAR58002670 | PIN [C] HINGE SR.2005 | | | |
| 0048 | LA58000370 | LAR58000370 | PIVOT HINGE | | | |
| 0049 | LA58003140 | LAR58003140 | PIN [C] | | | |
| 0050 | LAR58003110 | | PIN [C] | | | |
| 0051 | LA65210020 | LAR65210020 | FUSE CARRIER [C] 5X20 | | | |

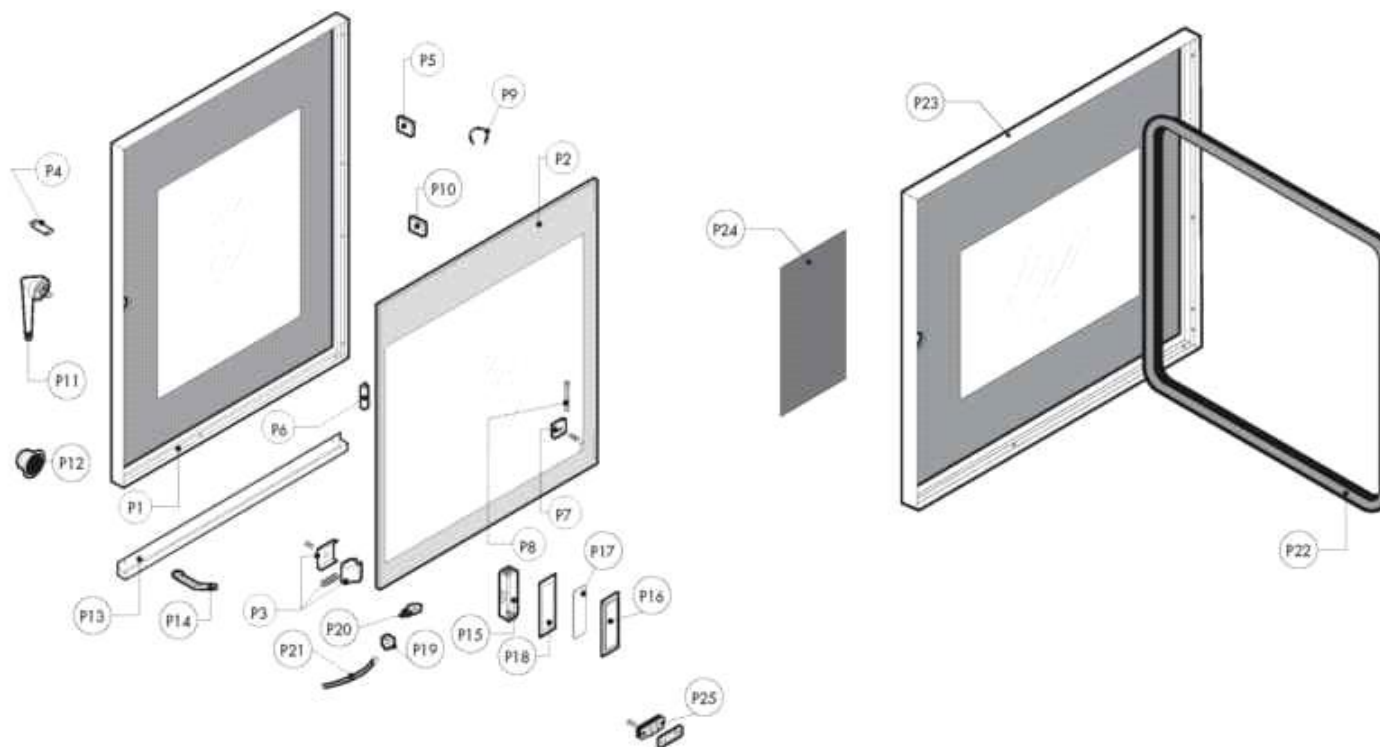
| Pos. | Code | Codice precedente | Description | Notes | From: | To: |
|------|-------------|-------------------|---|------------------------------------|----------|-----------|
| 0052 | LA65210050 | LAR65210050 | FUSE CARRIER [C] 6,3X32 | | | |
| 0053 | LAR65240030 | | FAIRLEAD [C] PG 107 Z/29 | | | |
| 0054 | LAR65095000 | | MOTOR [C] VENTING | | | |
| 0055 | LA62090528 | LAR62090528 | CONNECTOR [C] 10X10 | | | |
| 0056 | LA58006160 | LAR58006160 | NOZZLE [C] D. 0,80 | | | |
| 0057 | LA62090478 | LAR62090478 | CONNECTOR [C] D.10 | | | |
| 0058 | LA62090633 | LAR62090633 | CONNECTOR [C] 10/10 | | | |
| 0059 | LA65110510 | LAR65110510 | REGULATOR [C] RED ALPHATECH. 15LT/H | | | |
| 0060 | LA65110530 | LAR65110530 | REGULATOR [C] 2LT/1' | | | |
| 0061 | LA65011300 | LAR65011300 | HEATING ELEMENT [C] 15000W208V VE/110 | UL Version 208V (USA-CAN) | | |
| 0061 | LA65011330 | LAR65011330 | HEATING ELEMENT [C] 15000W277V CAM-VE/110 | UL Version 277V (USA-CAN 3AC 480V) | | |
| 0061 | LAR65011310 | | HEATING ELEMENT [C] 15000W230V CHAMBER | | | |
| 0061 | LAR65011320 | | HEATING ELEMENT [C] 15000W254V CAM-VE/110 | Marine Version 254V (3AC 440V) | | |
| 0062 | LA65020310 | LAR65020310 | HEATING ELEMENT [C] 7500W208V BOILER ME/106-110 | UL Version 208V (USA-CAN) | | |
| 0062 | LA65020340 | LAR65020340 | HEATING ELEMENT [C] 7500W277V BOILER US | UL Version 277V (USA-CAN) | | |
| 0062 | LA65020350 | LAR65020350 | HEATING ELEMENT [C] 7500W230V BOILER ME/105-106 | | | |
| 0063 | LA58004010 | LAR58004010 | WASHER [C] D. 30/12,5 | | | |
| 0064 | LA69180120 | LAR69180120 | BOX [C] | | | |
| 0065 | LA65320010 | LAR65320010 | PROBE [C] LEVEL TL 10/B | | | |
| 0066 | LAR65320220 | | PROBE [C] K 6X80 1,5ML | | | |
| 0067 | LA65140960 | | SURGE SUPPRESSOR (SNABBER) 3RT2916-1CD00 | | 8/1/2016 | |
| 0067 | LA65147100 | LAR65147100 | LIMITING DEVICE [C] | | | 7/31/2016 |
| 0068 | LA65140970 | | LIMITING DEVICE [C] | | 8/1/2016 | |
| 0068 | LAR65147110 | | SURGE SUPPRESSOR (SNABBER) 3RT1926-1CD00 | | | 7/31/2016 |
| 0069 | LA69150100 | LAR69150100 | CAP [C] | | | |
| 0070 | LAR69150110 | | CAP [C] | | | |
| 0071 | LAR58006690 | | CAP [C] SERIE 2014 | | | |

| Pos. | Code | Codice precedente | Description | Notes | From: | To: |
|------|-------------|-------------------|--------------------------|----------------------|----------|-----------|
| 0072 | LA65140380 | LAR65140380 | SWITCH [C] | | | 7/31/2016 |
| 0072 | LA65140390 | LAR65140390 | SWITCH [C] | | | 7/31/2016 |
| 0072 | LA65140900 | | SWITCH [C] | | 8/1/2016 | |
| 0072 | LA65140920 | | SWITCH [C] | | 8/1/2016 | |
| 0073 | LA65140400 | LAR65140400 | SWITCH [C] | | | 7/31/2016 |
| 0073 | LA65140910 | | SWITCH [C] | | 8/1/2016 | |
| 0074 | LA65070380 | LAR65070380 | THERMOSTAT [C] 150Å°C | UL Version (USA-CAN) | | |
| 0074 | LAR65070081 | | THERMOSTAT [C] BOILER | | | |
| 0075 | LA65070350 | LAR65070350 | THERMOSTAT [C] 360Å°C | | | |
| 0075 | LA65070370 | LAR65070370 | THERMOSTAT [C] 360Å°C | UL Version (USA-CAN) | | |
| 0076 | LA65180430 | LAR65180430 | TRANSFORMER [C] 40VA | | | |
| 0076 | LA65187110 | LAR65187110 | TRANSFORMER [C] 40VA | UL Version (USA-CAN) | | |
| 0077 | LA80150000 | LAR80150000 | PIPE [C] | | | |
| 0078 | LAR65110571 | | VALVE [C] 230V | | | |
| 0079 | LA65060010 | LAR65060010 | FAN [C] D. 80 | | | |
| 0080 | LA65060050 | LAR65060050 | FAN [R] D. 120 | | | |
| 0081 | LA75400440 | LAR75400440 | FAN [C] D. 350X114 50HZ | | | |
| 0082 | LA58004000 | LAR58004000 | SCREW [C] M12X1.5 | | | |
| 0083 | LA61020562 | LAR61020562 | SCREW [C] M6X55 UNI 5737 | | | |
| 0084 | LAR61260152 | | VITE | | | |
| 0085 | LA62090918 | LAR62090918 | CONNECTOR [C] D.10 | | 7/7/2014 | |
| 0086 | LA62090908 | LAR62090908 | CONNECTOR [C] D.10 | | 7/7/2014 | |
| 0087 | LA80150060 | LAR80150060 | PIPE [C] | | 7/7/2014 | |

vsezip.ru
+7 (812) 987-08-81

+7(812)987-08-81

PORTA NORMALE / STANDARD DOOR / PORTE STANDARD / TÜR STANDARD / PUERTA STANDARD



| Pos. | Code | Codice precedente | Description | Notes | From: | To: |
|------|-------------|-------------------|--|-------|-------|-----|
| OOP1 | LAR14200660 | | DOOR [C] NA_101 | | | |
| OOP2 | LAR71202190 | | GLASS PLATE [C] N/S101 2014 494x310x6 | | | |
| OOP3 | LAR58001780 | | CATCH [C] DOOR P2000 | | | |
| OOP4 | LA61620132 | LAR61620132 | SPRING [C] | | | |
| OOP5 | LAR11420660 | | FLANGE [C] | | | |
| OOP6 | LA11423460 | LAR11423460 | PROTECTION [C] DOOR GLASS K E T 2011 | | | |
| OOP7 | LA58001760 | LAR58001760 | HINGE [C] GLASS SR2000 | | | |
| OOP8 | LA58001770 | LAR58001770 | PIN [C] | | | |
| OOP9 | LA61600031 | LAR61600031 | GASKET [C] D.3,2 UNI 7434 | | | |
| OP10 | LAR70050180 | | SPACER [C] GLASS 15x8 M4x12 A2 | | | |
| OP11 | LA69010190 | LAR69010190 | LOCK [C] 6303 N/S2014 | | | |
| OP12 | LAR69010630 | | COVERING [C] GROUP 6303 | | | |
| OP13 | LAR69180220 | | DOOR CONTAINER [C] N/S071-101 2014 | | | |
| OP14 | LA69180010 | LAR69180010 | DRAIN [C] | | | |
| OP15 | LA11401440 | LAR11401440 | LAMP COVER [C] | | | |
| OP16 | LA11401450 | LAR11401450 | FLANGE [C] | | | |
| OP17 | LA71500150 | LAR71500150 | GLASS PLATE [C] P2000 | | | |
| OP18 | LA70044200 | LAR70044200 | GASKET [C] | | | |
| OP19 | LA65270450 | LAR65270450 | LAMP HOLDER [C] | | | |
| OP20 | LA65270020 | LAR65270020 | BULB [C] 12V 20W G4 | | | |
| OP21 | LA66110320 | LAR66110320 | DOOR LIGHTS CABLE SET [C] MV101-102 | | | |
| OP22 | LA70048012 | LAR70048010 | GASKET [C] DOOR T10 2016 | | | |
| OP23 | LAR14162740 | | DOOR [C] NA_101 | | | |
| OP24 | LA67016550 | LAR67016550 | COATING [C] | | | |
| OP25 | LAR65260752 | | CONTACT [C] LIGHTS SR.2014 | | | |

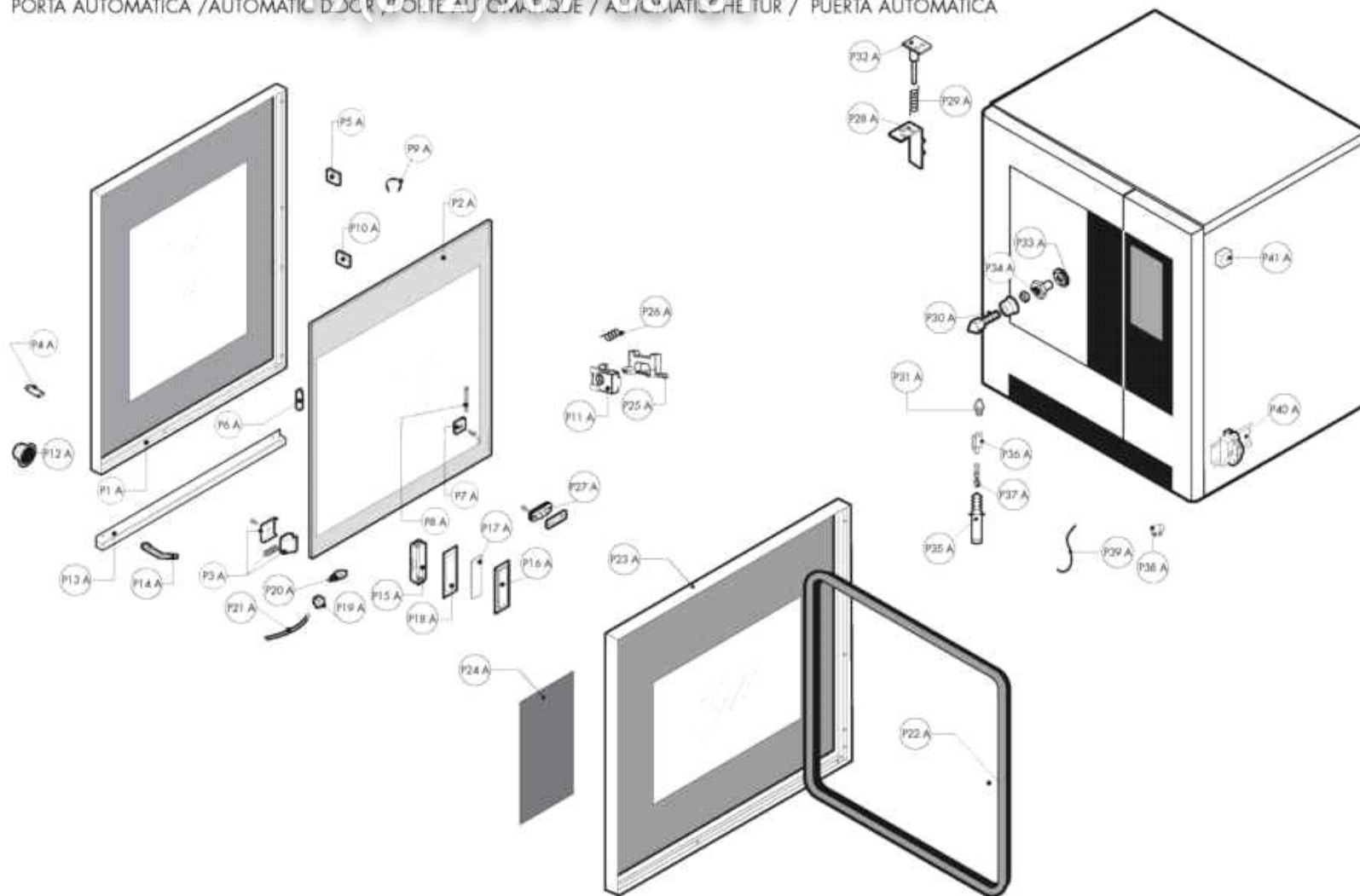
ATTENZIONE: PER TENSIONI SPECIALI, SPECIFICARE SEMPRE IL MODELLO DI FORNO E IL NUMERO DI SERIE.
ATTENTION: FOR SPECIAL VOLTAGES, PLEASE ALWAYS SPECIFY THE OVEN MODEL AND THE SERIAL NUMBER.

ATTENTION: POUR TENSIONS SPÉCIALES, MERCI DE SPÉCIFIER TOUJOURS LE MODÈLE DU FOUR ET LE NUMÉRO DE SÉRIE.
ACHTUNG: BEI SONDRERSPANNUNGEN, BITTE IMMER OFEN-MODELL UND SERIENNUMMER GEBEN.

ed.0614

+7(812)987-08-81

PORTA AUTOMATICA / AUTOMATIC DOOR / PORTE AUTOMATIQUE / AUTOMATISCHE TÜR / PUERTA AUTOMÁTICA



TAV. B - automatic

NAEB101

| Pos. | Code | Codice precedente | Description | Notes | From: | To: |
|------|-------------|-------------------|---|-------|-------|-----|
| OP1A | LAR14218090 | | DOOR [C] NA_101 | | | |
| OP2A | LAR71202190 | | GLASS PLATE [C] N/S101 2014 494x310x6 | | | |
| OP3A | LAR58001780 | | CATCH [C] DOOR P2000 | | | |
| OP4A | LA61620152 | LAR61620152 | SPRING [C] | | | |
| OP5A | LAR11420660 | | FLANGE [C] | | | |
| OP6A | LA11423460 | LAR11423460 | PROTECTION [C] DOOR GLASS K E T 2011 | | | |
| OP7A | LA58001760 | LAR58001760 | HINGE [C] GLASS SR2000 | | | |
| OP8A | LA58001770 | LAR58001770 | PIN [C] | | | |
| OP9A | LA61600031 | LAR61600031 | GASKET [C] D.3,2 UNI 7434 | | | |
| P10A | LAR70050180 | | SPACER [C] GLASS 15x8 M4x12 A2 | | | |
| P11A | LA58007220 | LAR58007220 | CATCH [C] FOR AUTOMATIC DOOR | | | |
| P12A | LA14218140 | LAR14218140 | COVER [C] AUTOMATIC CLOSURE SYSTEM | | | |
| P13A | LAR69180220 | | DOOR CONTAINER [C] N/S071-101 2014 | | | |
| P14A | LA69180010 | LAR69180010 | DRAIN [C] | | | |
| P15A | LA11401440 | LAR11401440 | LAMP COVER [C] | | | |
| P16A | LA11401450 | LAR11401450 | FLANGE [C] | | | |
| P17A | LA71500150 | LAR71500150 | GLASS PLATE [C] P2000 | | | |
| P18A | LA70044200 | LAR70044200 | GASKET [C] | | | |
| P19A | LA65270450 | LAR65270450 | LAMP HOLDER [C] | | | |
| P20A | LA65270020 | LAR65270020 | BULB [C] 12V 20W G4 | | | |
| P21A | LA66110320 | LAR66110320 | DOOR LIGHTS CABLE SET [C] MV101-102 | | | |
| P22A | LA70048012 | LAR70048010 | GASKET [C] DOOR T10 2016 | | | |
| P23A | LAR14162750 | | DOOR [C] NA_101 | | | |
| P24A | LA67016730 | LAR67016730 | COATING [C] | | | |
| P25A | LA58007170 | LAR58007170 | SUPPORT [C] | | | |
| P26A | LA61620152 | LAR61620152 | SPRING [C] | | | |
| P27A | LAR65260752 | | CONTACT [C] LIGHTS SR.2014 | | | |
| P28A | LAR14402400 | | UPPR HINGE [C] AUTOMATIC DOOR N/S 2014 | | | |
| P29A | FR3410560 | | MOLLA DX PORTE CIECHE ARMADI | | | |
| P30A | LAR69010850 | | PRONG [C] | | | |

| Pos. | Code | Codice precedente | Description | Notes | From: | To: |
|------|-------------|-------------------|---|-------|----------|-----|
| P30A | LAR69010860 | | PRONG [C] | | 6/9/2014 | |
| P31A | LA58007180 | LAR58007180 | PIN [C] | | | |
| P32A | LAR14218130 | | FIN [C] | | | |
| P33A | LAR58007190 | | INTERIOR BUSH [C] FOR AUTOMATIC RELEASE | | | |
| P34A | LAR58007200 | | EXTERIOR BUSH [C] FOR AUTOMATIC RELEASE | | | |
| P35A | LA65090310 | LAR65090310 | ACTUATOR [C] LINEAR D40AM2 (220VCC) | | | |
| P36A | LA61660110 | LAR61660110 | FORK [C] | | | |
| P37A | LA61660120 | LAR61660120 | CONNECTOR [C] AXLE SM6 | | | |
| P38A | LA61660130 | LAR61660130 | TERMINAL [C] | | | |
| P39A | LAR85340022 | | CAVO DI ACCIAIO INOX | | | |
| P40A | LA65210020 | LAR65210020 | FUSE CARRIER [C] 5X20 | | | |
| P41A | LA65301760 | LAR65301760 | DIODE BRIDGE [C] 25A 1000V FASTON | | | |

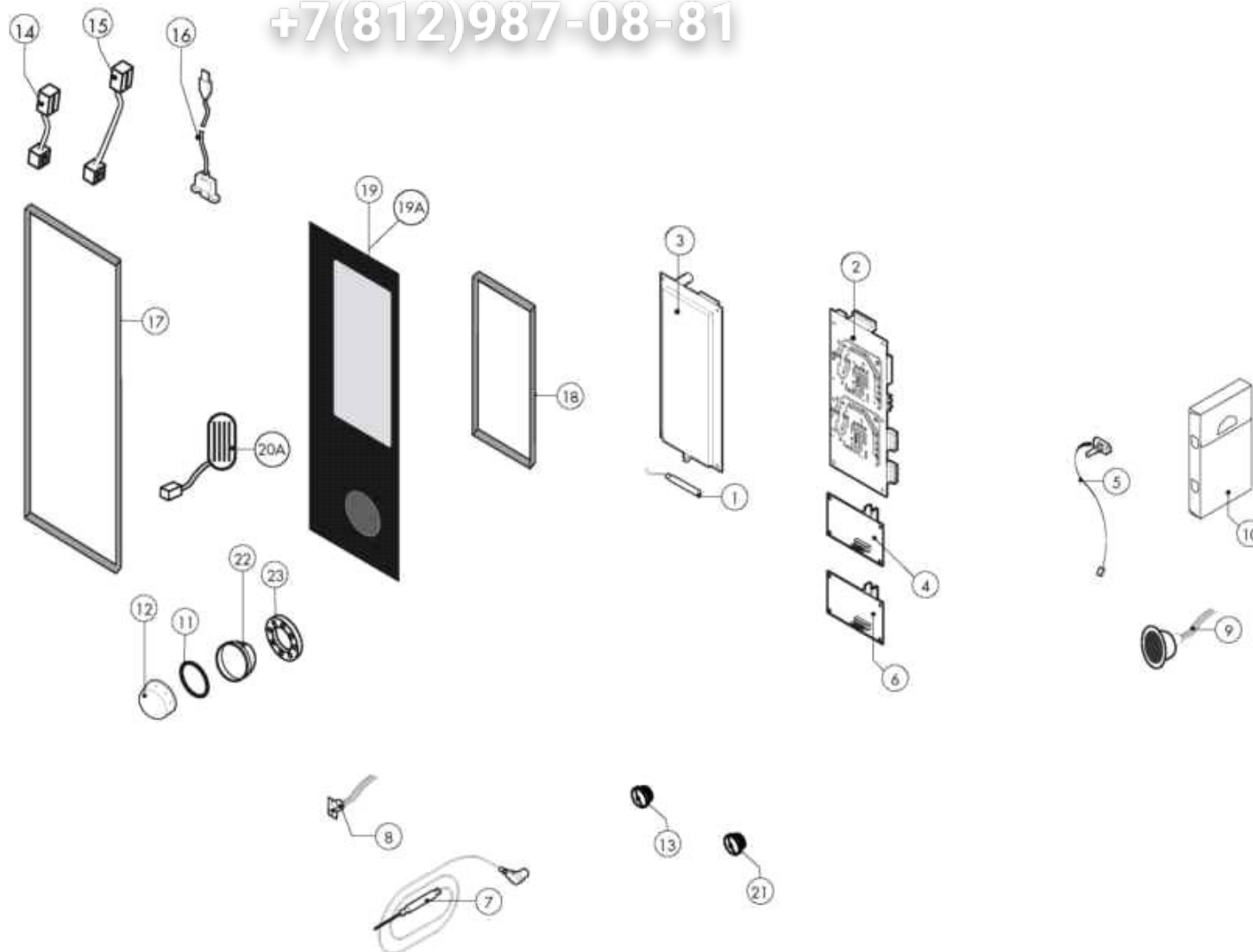
vsezip.ru
+7(812)987-08-81

ATTENZIONE: PER TENSIONI SPECIALI, SPECIFICARE SEMPRE IL MODELLO DI FORNO E IL NUMERO DI SERIE.
ATTENTION: FOR SPECIAL VOLTAGES, PLEASE ALWAYS SPECIFY THE OVEN MODEL AND THE SERIAL NUMBER.

ATTENTION: POUR TENSIONS SPÉCIALES, MERCI DE SPÉCIFIER TOUJOURS LE MODÈLE DU FOUR ET LE NUMÉRO DE SÉRIE.
ACHTUNG: BEI SONDERSPANNUNGEN, BITTE IMMER OFEN-MODELL UND SERIENNUMMER GEBEN.

ed.0614

+7(812)987-08-81



TAV. C

NAEB101

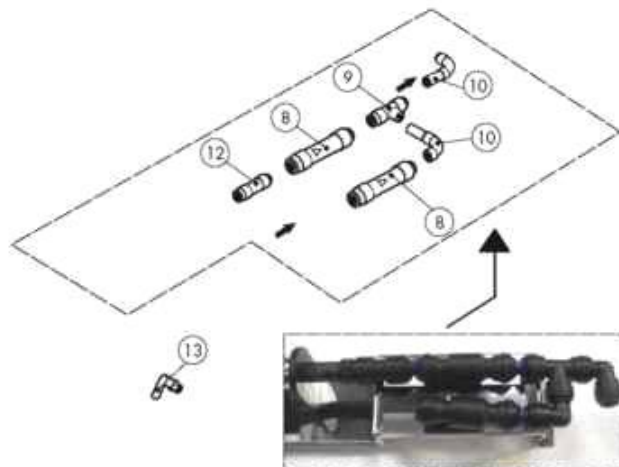
| Pos. | Code | Codice precedente | Description | Notes | From: | To: |
|------|-------------|-------------------|--|-------|-------|-----|
| 0001 | LA65302560 | LAR65302560 | ANTENNA [C] PER SCHEDA NA 2014 | | | |
| 0002 | LA65302480 | LAR65302480 | POWER BOARD [C] NABOO | | | |
| 0003 | LA65302491 | | ECARD [C] DISPLAY NABOO + FRAME | | | |
| 0004 | LA65302520 | LAR65302520 | EXPANSION BOAD [C] BOILER NABOO | | | |
| 0005 | LA65302500 | LAR65302500 | ENCODER [C] PUSH NABOO+CABLE L=60CM | | | |
| 0006 | LA65302530 | LAR65302530 | EXPANSION BOAD [C] WASHING SYSTEM NABOO | | | |
| 0007 | LA65321102 | LAR65321100 | PROBE [C] K 4P 6 PIN IMP.2012 | | | |
| 0008 | LA65321360 | LAR65321360 | CONNECTOR [C] L1000 FEMALE TO CORE PROBE 6 PINS | | | |
| 0009 | LA65330060 | LAR65330060 | LOUDSPEAKER [C] CONTROL PANEL NA 2014 | | | |
| 0010 | LAR86020400 | | VALIGETTA X SONDA AL CUORE TRASPARENTE | | | |
| 0011 | LA70010290 | LAR70010290 | GASKET [C] 115X2,5 | | | |
| 0012 | LA69030240 | LAR69030240 | KNOB [C] ENCODER D.70 BLACK | | | |
| 0013 | LAR65321310 | | CAP [C] | | | |
| 0014 | LA65301740 | LAR65301740 | CABLE [C] SERIAL WITH PLUG RJ45 L=250 | | | |
| 0015 | LA65301750 | LAR65301750 | CABLE [C] SERIAL WITH PLUG RJ45 L=600 | | | |
| 0016 | LA65302600 | LAR65302600 | CABLE [C] CARD SWITCH CONNECTION USB 90° L=850 | | | |
| 0017 | LAR80100100 | | PROFILE [C] | | | |
| 0018 | LA70040030 | LAR70040030 | GASKET [C] CONTROL PANEL N 2014 | | | |
| 0019 | LA67016510 | LAR67016510 | KEYBOARD [C] LX N101/102 2014 | | | |
| 0021 | LA65321330 | LAR65321330 | CAP [C] N/S 2014 | | | |
| 0022 | LA69030320 | LAR69030320 | RING NUT [C] D. 116 | | | |
| 0023 | LA69030330 | LAR69030330 | COUNTER FLANGE [C] D.116 FOR ENCODER N 2014 | | | |
| 019A | LA67016850 | LAR67016850 | KEYBOARD [C] LX N101/102 2014 | | | |
| 020A | LA67016870 | LAR67016870 | BUTTON [C] AUTOMATIC DOOR N 2014 | | | |

ATTENZIONE: PER TENSIONI SPECIALI, SPECIFICARE SEMPRE IL MODELLO DI FORNO E IL NUMERO DI SERIE.
ATTENTION: FOR SPECIAL VOLTAGES, PLEASE ALWAYS SPECIFY THE OVEN MODEL AND THE SERIAL NUMBER.

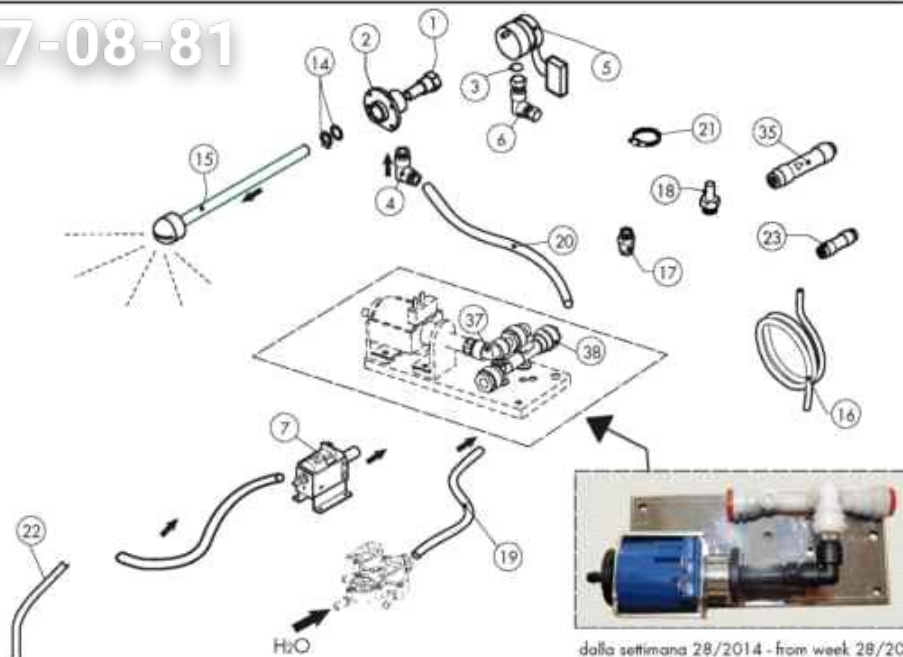
ATTENTION: POUR TENSIONS SPÉCIALES, MERCI DE SPÉCIFIER TOUJOURS LE MODÈLE DU FOUR ET LE NUMÉRO DE SÉRIE.
ACHTUNG: BEI SONDRERSPANNUNGEN, BITTE IMMER OFEN-MODELL UND SERIENNUMMER GEBEN.

ed.0614

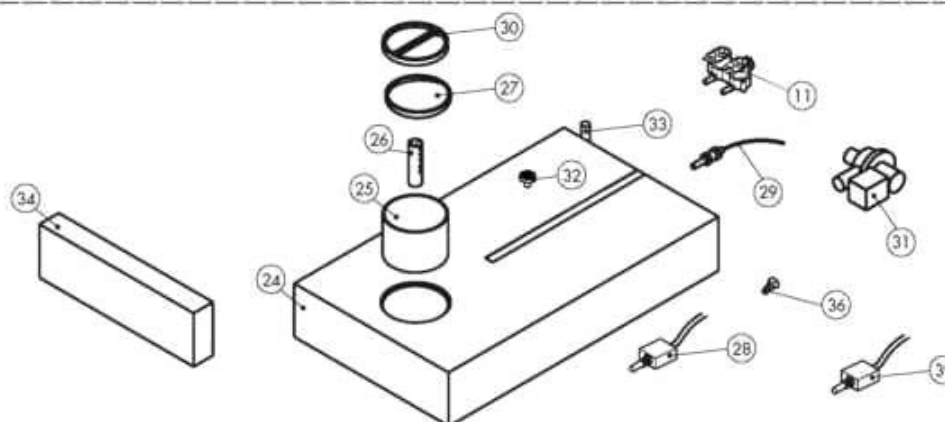
+7(812)987-08-81



fino alla settimana 27/2014 - until week 27/2014
elimine du semaine 27/2014
bis woche 27/2014 - eliminato del semana 27/2014



dalla settimana 28/2014 - from week 28/2014
du semaine 28/2014 - vom woche 28/2014
del semana 28/2014



TAV. D

NAEB101

| Pos. | Code | Codice precedente | Description | Notes | From: | To: |
|------|-------------|-------------------|---|---|----------|----------|
| 0001 | LAR58007000 | | PIN [C] | | | |
| 0002 | LAR58007020 | | FLANGE [C] | | | |
| 0003 | LA70010080 | LAR70010080 | GASKET [C] OR 14X2 VITON DIN 931 | | | |
| 0004 | LA62090663 | LAR62090663 | CONNECTOR [C] 10X1/4 | | | |
| 0005 | LA65090260 | LAR65090260 | GEARMOTOR [C] | | | |
| 0006 | LA62090633 | LAR62090633 | CONNECTOR [C] 10/10 | | | |
| 0007 | LAR65110600 | | PUMP [C] | | | |
| 0008 | LA65110680 | LAR65110680 | VALVE [W] J.G. 10SCV | | | 7/4/2014 |
| 0009 | LA62090468 | LAR62090468 | CONNECTOR [C] T D.10 | | | 7/4/2014 |
| 0010 | LA62090528 | LAR62090528 | CONNECTOR [C] 10X10 | | | 7/4/2014 |
| 0011 | LAR65110210 | | SOLENOID VALVE [C] 220V 50HZ 2 WAYS | | | |
| 0012 | LA62090618 | LAR62090618 | REDUCTION [C] Å~10-Å~8 | | | 7/4/2014 |
| 0013 | LA62090678 | LAR62090678 | ELBOW [C] Å,8-Å,8 | | | 7/4/2014 |
| 0014 | LAR70045120 | | GASKET [C] | | | |
| 0015 | LAR58007030 | | WASHING HEAD [C] L=165 (2/1) | | | |
| 0016 | LA80150040 | LAR70070080 | PIPE [C] | | | |
| 0017 | LAR62090508 | | CONNECTOR [C] | | | |
| 0018 | LA62090518 | LAR62090518 | CONNECTOR [C] 10X1/4 | | | |
| 0019 | LA80120060 | LAR80120060 | PIPE [C] | | | |
| 0020 | LA80150000 | LAR80150000 | PIPE [C] | | | |
| 0021 | LA61630121 | LAR61630121 | ZINC CLAMP [C] WITH SPRING D.13,7MM | | | |
| 0022 | LA80150020 | LAR80150020 | PIPE [C] | | | |
| 0023 | LA62090878 | LAR62090878 | CONNECTOR [C] D.8 | | | |
| 0024 | LAR14162580 | | COMPLETE DETERGET DRAWER [C] | 50Hz | | |
| 0024 | LAR14166020 | | COMPLETE DETERGET DRAWER [C] | 60Hz | | |
| 0025 | LA69040060 | LAR69040060 | FILTER [C] MIXING TRAY N/S 2014 | | | |
| 0026 | LA69040050 | LAR69040050 | VAPORISER [C] | | | |
| 0027 | LA69040020 | LAR69040020 | RING NUT [C] D. 90 | | | |
| 0027 | LA69040021 | | GHIERA D.90 CASS.MISCEL.DET. N/S 2016 | | 2/7/2017 | |
| 0028 | LAR65260900 | | MICROINT.CASSETTO MISCELAZIONE N/S 2014 | Sostituito da Pos.39 Codice LAR65260900K | | |

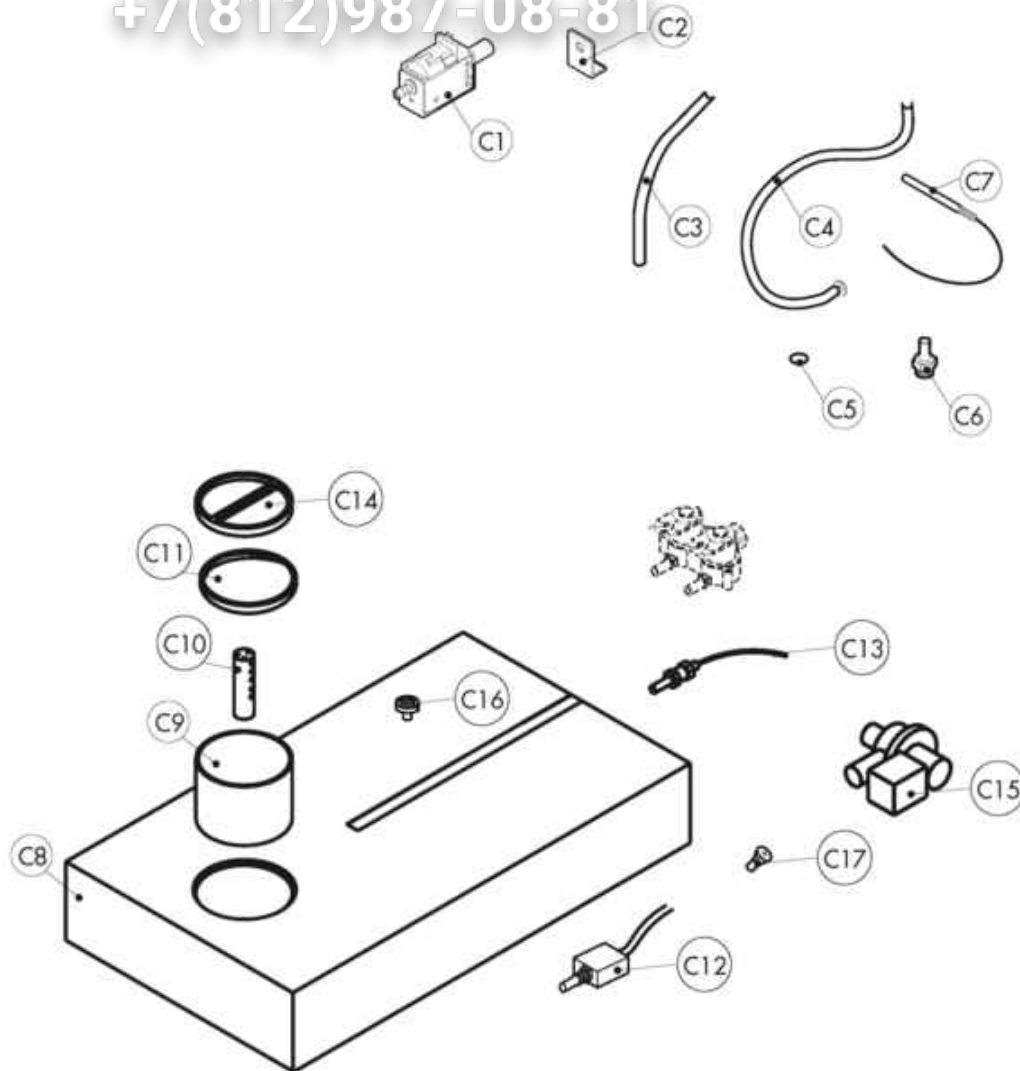
| Pos. | Code | Codice precedente | Description | Notes | From: | To: |
|------|--------------|-------------------|---|-------|----------|----------|
| 0029 | LA65260910 | LAR65260910 | CONTROL [C] LEVEL MIXING TRAY N/S 2014 | | | |
| 0030 | LA69040040 | LAR69040040 | CAP [C] N/S 2014 D. 90 | | | |
| 0031 | LA65110300 | LAR65110300 | PUMP [C] 220V 50HZ | 50Hz | | |
| 0031 | LA65110310 | LAR65110310 | PUMP [C] 220V 60HZ | 60Hz | | |
| 0032 | LAR62090718 | | FILTER [C] D.5 | | | |
| 0033 | LAR58006960 | | PIN [C] DRAWERS DIVISION N/S 071-101 2014 D9 | | | |
| 0034 | LA69040070 | LAR69040070 | FALSE DRAWER [C] FRAME N/S 2014 | | | |
| 0035 | LA65110690 | LAR65110690 | CONNECTOR [C] 3/4F+JG10 | | | |
| 0036 | LAR58006951 | | PIN [C] L. 21 | | | 2/6/2017 |
| 0037 | LA62090498 | LAR62090498 | CONNECTOR [C] D.8 | | 7/7/2014 | |
| 0038 | LA62090888 | LAR62090888 | MANIFOLD [C] 3WAYS-2D.10+1D.8+3 NO RETURN CONTROL | | 7/7/2014 | |
| 0039 | LAR65260900K | | MICROSWITCH [C] | | | |

ATTENZIONE: PER TENSIONI SPECIALI, SPECIFICARE SEMPRE IL MODELLO DI FORNO E IL NUMERO DI SERIE.
ATTENTION: FOR SPECIAL VOLTAGES, PLEASE ALWAYS SPECIFY THE OVEN MODEL AND THE SERIAL NUMBER.

ATTENTION: POUR TENSIONS SPÉCIALES, MERCI DE SPÉCIFIER TOUJOURS LE MODÈLE DU FOUR ET LE NUMÉRO DE SÉRIE.
ACHTUNG: BEI SONDERSPANNUNGEN, BITTE IMMER OFEN-MODELL UND SERIENNUMMER GEBEN.

ed.0614

+7(812)987-08-81



| Pos. | Code | Codice precedente | Description | Notes | From: | To: |
|------|--------------|-------------------|---|-------|----------|----------|
| 00C1 | LAR65110620 | | PUMP [C] 230V 50HZ | | | |
| 00C3 | LA80150020 | LAR80150020 | PIPE [C] | | | |
| 00C4 | LA11429630 | LAR11429630 | PIPE [C] | | | |
| 00C5 | LA62070023 | LAR62070023 | BICONE [C] D. 6 | | | |
| 00C6 | LA62060223 | LAR62060223 | NUT [C] D. 6 | | | |
| 00C7 | LA65324550 | LAR65324550 | PROBE [C] LEVEL CALOUT TL 10/B EL=20 TF=15 | | | |
| 00C8 | LAR14162590 | | COMPLETE DECALCIFER DRAWER [C] | 50Hz | | |
| 00C8 | LAR14166030 | | CASSETTO DECALCIFICANTE COMPLETO 60Hz | 60Hz | | |
| 00C9 | LA69040060 | LAR69040060 | FILTER [C] MIXING TRAY N/S 2014 | | | |
| OC10 | LA69040050 | LAR69040050 | VAPORISER [C] | | | |
| OC11 | LA69040011 | | GHIERA D.80 CASS.MISCEL.DEC. N/S 2016 | | 2/7/2017 | |
| OC11 | LAR69040010 | | RING NUT [C] D. 80 | | | |
| OC12 | LAR65260900A | | MICROSWITCH [C] | | | |
| OC13 | LA65260910 | LAR65260910 | CONTROL [C] LEVEL MIXING TRAY N/S 2014 | | | |
| OC14 | LAR69040030 | | CAP [C] N/S 2014 D. 80 | | | |
| OC15 | LA65110300 | LAR65110300 | PUMP [C] 220V 50HZ | 50Hz | | |
| OC15 | LA65110310 | LAR65110310 | PUMP [C] 220V 60HZ | 60Hz | | |
| OC16 | LAR62090718 | | FILTER [C] D.5 | | | |
| OC17 | LAR58006941 | | PIN [C] L. 26 | | | 2/6/2017 |
| OC17 | LAR58007430 | | PERNO MICRO L=28.5 C/SEDE MOLLA CAS.DEC. | | 2/7/2017 | |