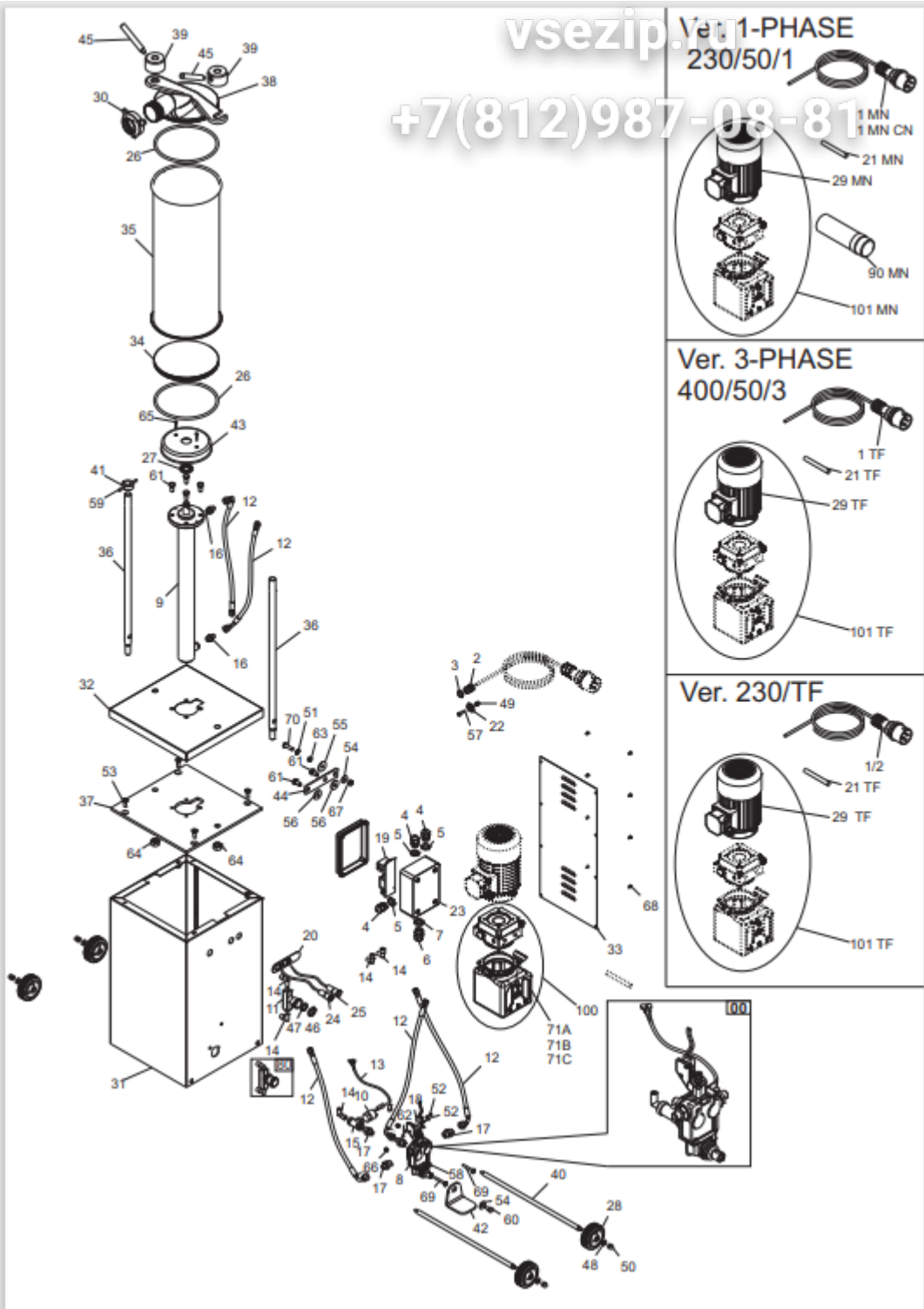


Зип Общепит

vsezip.ru

+7(812)987-08-81



Зип Общепит

REF	ARTIKELNUMMER	KODE	Q
00	CONTROL UNIT BM25 _ IS IDRA	LF1012505	1
01 MN	CAVO + SPINA CEE 2P + T	LF1010050	1
01 TF	POWER CORD + PLUG CEE 3P + T	LF1010047	1
01 MN CN	CAVO 3X1 CON SPINA CHINA 10A L=3000	LF1000416025	1
01/2	CAVO+SPINA CEE 3P+T 230/TF	LF1010049	1
02	STRAIN RELIEF + NUT	LF1010063	1
03	DADO OTT.NICH.PG 11	LF1010063A	1
04	PRESSACAVO PLASTICA PG 11	LF1010072	5
05	DADO PLASTICA PG 11	LF1010072A	1
06	PRESSACAVO PG 13,5	LF1010075	1
07	DADO PLASTICA PG 13,5	LF1010075A	1
08	VALVE DISTRIBUTION UNIT_ IS 15 IDRA	LF1012501	1
09	CILIND.OLIOD.STELO IX IS 15 STEL+15	LF1012512	1
10	PRESSURE SWITCH K4/ZCF 1/P1 FOX20/20	LF1013002	1
11	VALVE FOR IS 25 IDRA	LF1013003	1
12	CONNECTION PIPE 800MM	LF1013005	1
13	CABLE,MICRO-PRESSURE SWITCH_ IS IDRA	LF1013007	1
14	PIPE CONNECTION FOR IS 25 IDRA	LF1013013	1
15	ADATTATORE F+F+F 04-1/4" STAMP. (606	LF1013014	1
16	NIPPLES GUARNIZ. 04 1/4" IS 24 NEW	LF1013015	1
17	NIPPLES 06 3/8" X 1/4" IDRA	LF1013016	1
18	MICRO INT. PEDALIERA IS IDRA	LF1013018	1
19	PLATINE 230/400	19411000.12	1
20	KEY PAD IS-SO	LF1013032	1
21 TF	CAVETTO ALIMENT. MOTORE TF TC BZ 5X1,5 CON MASSA L=800 OCC.5 + FAST	LF1030522030	1
21 MN	CAVETTO MOTORE 3X1.5/MN L=860	LF1010053	1
22	MORSETTO A PETTINE X EQUIPOTENZ. BZ	LF1030522050	1

Зип Ощепит

REF	ARTIKELNUMMER	KODE	Q
23	SCAT.GRIGIA ELETTR. ABB. 0852	LF1041006	1
24	S/S ON BUTTON W/LIGHT OMEGA 24 V	LF1041015	1
25	S/S OFF BUTTON	LF1041016	1
26	OR 8725	LF1211002	1
27	ANEL.TEN. 20-40-6 TIPO A X IS VARIA	LF1212505	1
28	WHEEL, D.80X25 SC 80 IDRA	LF1513001	1
29 TF	MOTOR WURSTFUPELL IDRA 400/50-60/3	LF1813001	1
29 MN	MOTOR SAUSAGEFILL IDRA 230/50-60/1	LF1813002	1
29/3	MOTOR HP 0.75 B14 230/60HZ	LF1813005	1
30	MUTTER _ IS	LF2011014	1
31	CARENATURA INOX IS 15 DRI	LF2012501	1
32	COPERC.CARENA INOX IS 15 DRI	LF2012503	1
33	CARTER CHIUSU.INOX IS 15 DRI	LF2012504	1
34	TAMPONE INOX V.IND IS 15 VARIA	LF2012519	1
35	CILINDRO H=510 IS 15 VARIA	LF2012512	1
36	SHAFT, LID HOLDER IS15 IDRA	LF2012515	1
37	PIASTRA SUP. CILIN. ZIN IS 15 VARIA	LF2012517	1
38	COPERCHIO CHIUS.IX IS 15 V.IND	LF2012518	1
39	ANELLA BLOCCAGGIO IS 15 DRI	LF2012522	1
40	HOLDING WHEEL SHAFT _ IS 15 IDRA	LF2012525	1
41	RING, LID HOLDER IS15 IDRA	LF2012527	1
42	FOOT CONTROL FOR IDRA 25	LF2013010	1
43	PROTEZ. CIL.IN PVC NERO DRI 25	LF2013013	1
44	SUPPORTO CENTRALINA DRI 25	LF2013014	1
45	LEVA ANELLA BLOCCAGGIO DRI 25	LF2013024	1
46	VALVE RING NUT FOR IS 25 IDRA	LF2013040	1
47	BRASS NUT FOR IS 25 IDRA	LF2013042	1
48	FLAT WASHER DIN 125 D 8	IX2125008	20

vsezip.ru

+7(812)987-08-81

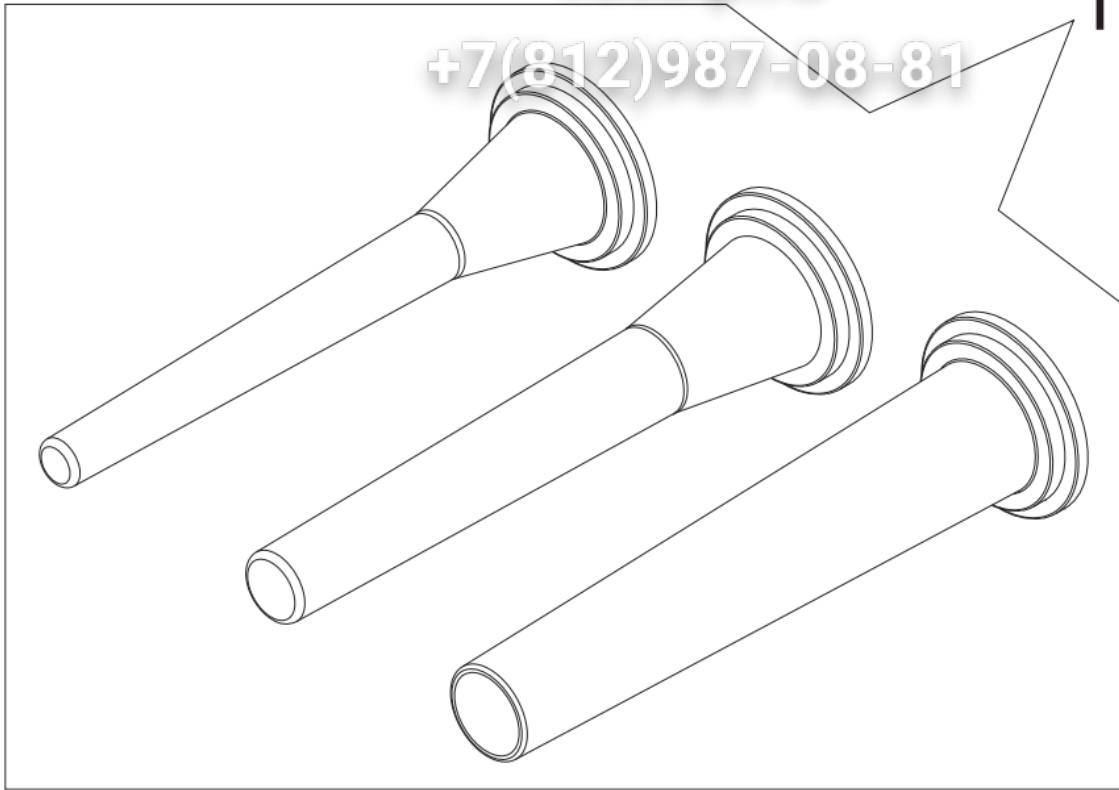
Зип Общепит

REF	ARTIKELNUMMER	KODE	Q
49	CAP NUT DIN 1587 M 6	IX21587LC006	10
50	CAP NUT DIN 1587 M8	IX21587LC008	10
51	TOOTHED WASHER DIN 6798-A D 8.2	IX2673JAL08	20
52	VITE TC+ DIN 7985 M3X20	IX27985003020	1
53	VITE TSPEI DIN 7991 M 8X25	IX27991008025	10
54	WASHER DIN 9021 D 8X24	IX29021008024	10
55	WASHER THICK DIN 9021 D 8X32	IX29021008032	10
56	RONDELLA F.LARGA DIN 9021 D 10X30	IX29021010030	10
57	HEX. SOCKET HEAD CAP SCREW M6 X 20	IX2912006020	10
58	GRUB SCREW DIN 913 M8 X 10 CE	IX2913008010	10
59	GRUB SCREW DIN 916 M 6X8 CE	IX2916006008	20
60	SCREW TE DIN 933 M 8X16 T.F.	IX2933008016	10
61	VITE TE DIN 933 M 10X20 T.F.	IX2933010020	10
62	NUT DIN 934 M3	IX2934003	10
63	HEX.NUT DIN 934 M8	IX2934008	20
64	NUT ES. DIN 934 M 16	IX2934016	5
65	VITE TSP- DIN 963 M 4X25	IX2963004025	10
66	LOCKNUT ES DIN 982 M6 ALTO	IX2982006	20
67	DADO AUTOBLOCC. ES DIN 982 M 8 ALTO	IX2982008	10
68	VITE POELIERS M 4X8	IX2POEL004008	20
69	VITE POELIERS M 6X50	IX2POEL006050	10
70	SCREW POELIERS M 8X30	IX2POEL008030	1
71B	PLASTIC TANK 1,5 LT _ IS 15/24/35	LF1013012	1
71C	SERB. PLAST 1,5 LT IS 15/24/35 TECF	LF1013019	1
71A	PLASTIC TANK, IS IDRA	LF1013011	1
80	RUBINETTO INSACCATRICI ASSEMBLATO	LF1013048	1
90 MN	CONDENSATORE DA 20 UF	LF1011020	1
100	HYDRAULIC PUMP FOR IDRA 25-35	LF1013001	1
101 MN	ASS. CENTR + MOTORE MN X IS 15-24	LF1013053	1
101 TF	ASS. CENTR + MOTORE TF X IS 15-24	LF1013050	1

Зип Общепит

vsezip.ru

+7(812)987-08-81

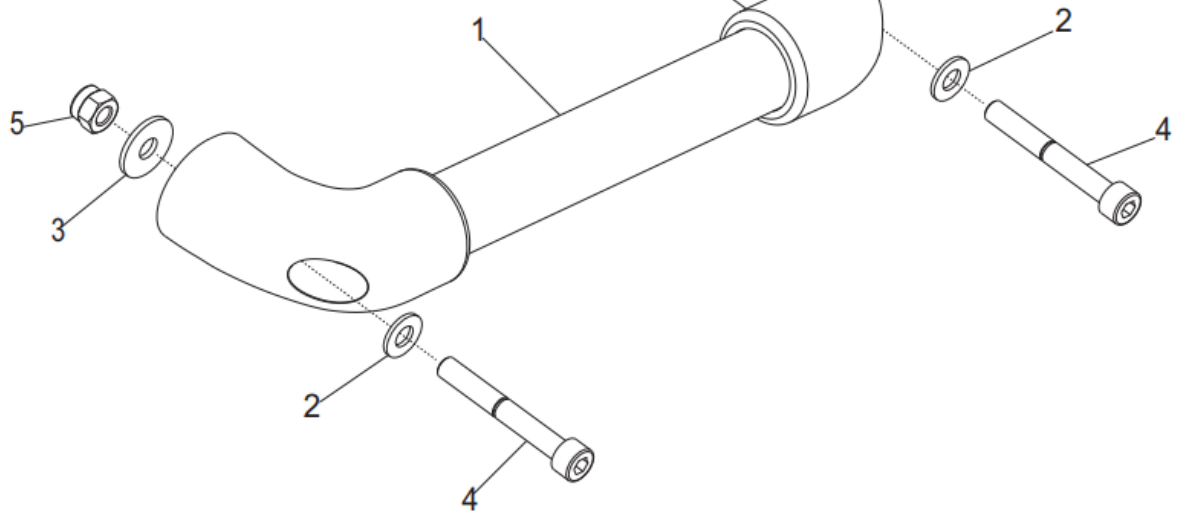


REF	ARTIKELNUMMER	KODE	Q
01	SET POLYETH.NOZZLES Ø 10-18-25 _ IS	LF2011015	1

Зип Общепит

vsezip.ru

+7(812)987-08-81



REF	ARTIKELNUMMER	KODE	Q
01	MANIGLIA TERMINALE MTR30-300	LF1513010	1
02	FLAT WASHER DIN 125 D 8	IX2125008	20
03	WASHER DIN 9021 D 8X24	IX29021008024	10
04	VITE TCEI DIN 912 M 8X60	IX2912008060	5
05	DADO AUTOBLOCC. ES DIN 982 M 8 ALTO	IX2982008	10