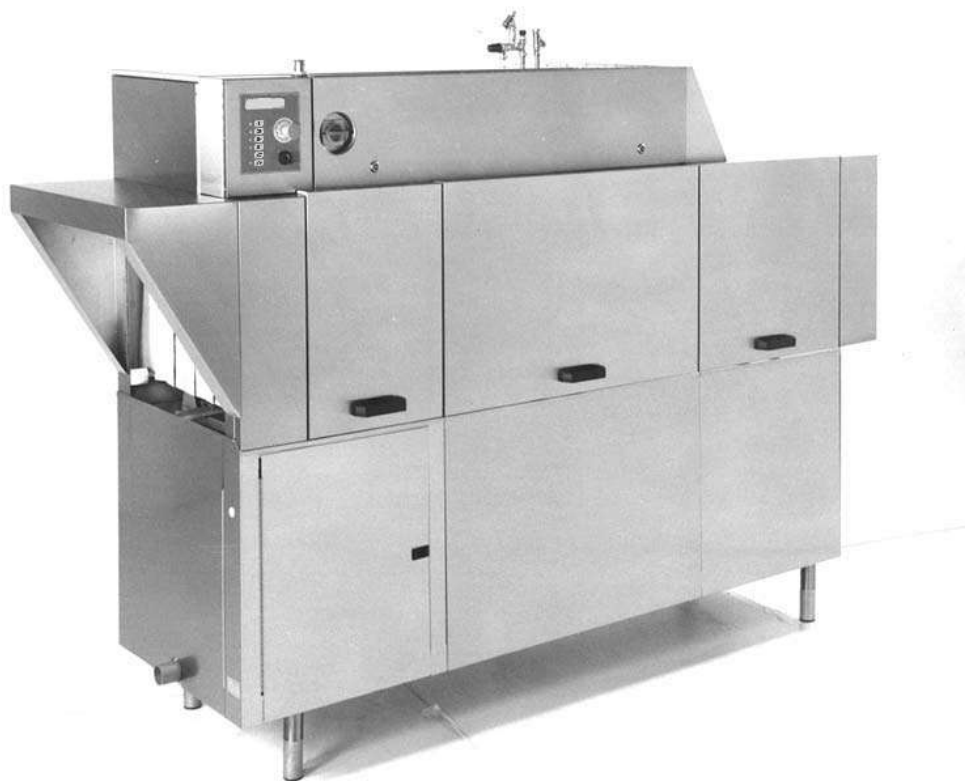


Зип Общепит
vsezip.ru

metos

+7(812)987-08-81
RACK CONVEYOR DISHWASHER
WD-151E - WD-421E

Spareparts manual



Зип Общепит

vsezip.ru

+7(812)987-08-81

vsezip.ru

+7(812)987-08-81

1. Spare parts

Signs	5
Cover plates	7
Water connections mm	9
Electric cubicle	11
Condensing battery, condensing fan	13
Doors, curtains	15
Feeding cradle	19
Feeding motor.....	23
Pre-wash.....	25
Chemical wash.....	33
Final rinse, emptying device.....	41
Booster heater	45
Couplings, pipe details	49
Pre-rinse zone FS-40, Optional equipment	53
Drying zone Upper part, Optional equipment	57
Drying zone Lower part, Optional equipment	59

Pump 0247 vsezip.ru 63

Pump 1226 230/400V 50Hz 17(812)987-08-81 65

1.1 Voltage codes

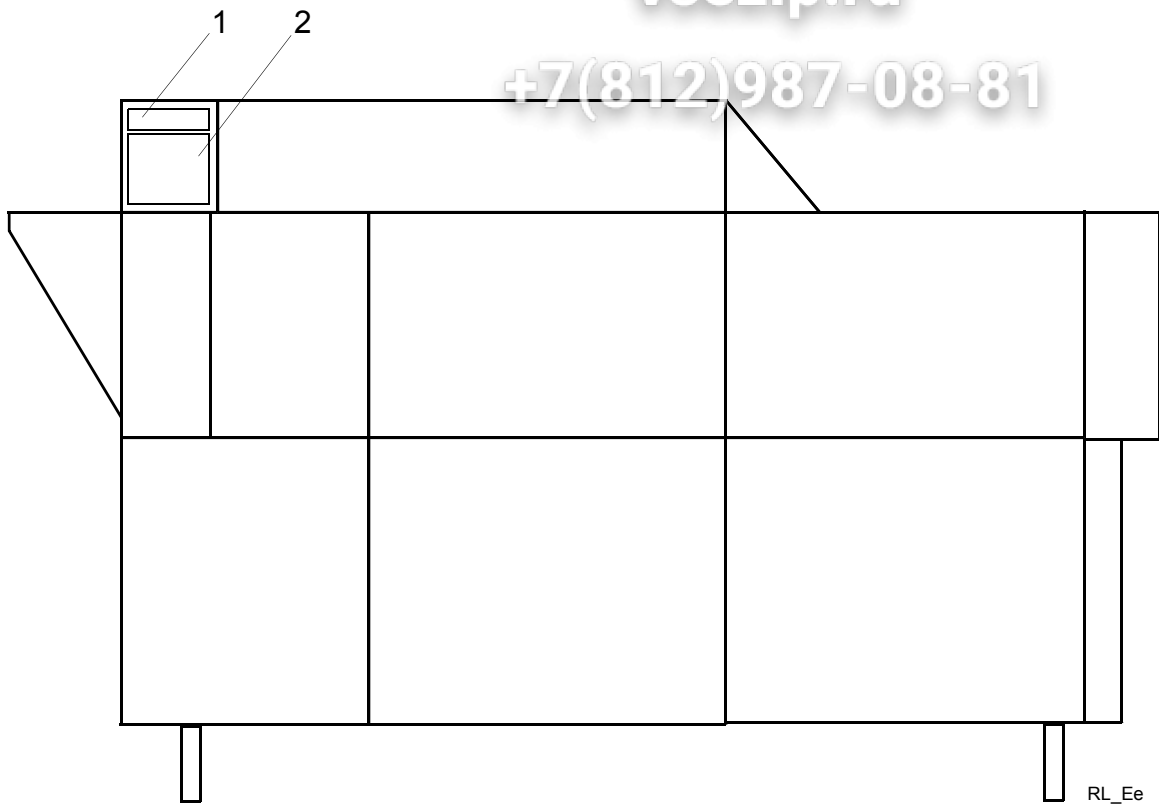
Voltage	Voltage code
A	3/N/PE~400/230V 50Hz
B	~250V 16A 50Hz
C	3/N/PE~380/220V 50Hz
D5	3/PE~200V 50Hz
D6	3/PE~200V 60Hz
F	2/PE 220-240V 50Hz
G	3/N/PE~415/240V 50Hz
H	3/PE~230V 50Hz
I	3/PE~220V 60Hz
J	3/PE~380 50Hz
K	3/PE~400V 50Hz
L	3/PE~415V 50Hz
M	3/PE~440V 60Hz
N	3/PE~460V 60Hz
O	3/PE~480V 60Hz
P	1/N/PE~220-240V 50Hz
R	2/PE~220-230V 60Hz
S	3/N/PE~400/230V 50Hz
T	3/PE~230V 60Hz
U	1/N/PE~100V 50-60Hz

1.2 Product codes

Product code	Full name
Model codes	
symbol	symbolpanel
text	textpanel
cw	cold water connected
s	steam heated
Type codes	
151E	WD-151E
211E	WD-211E
241E	WD-241E
331E	WD-331E
421E	WD-421E
Accessory codes	

vsezip.ru

+7(812)987-08-81



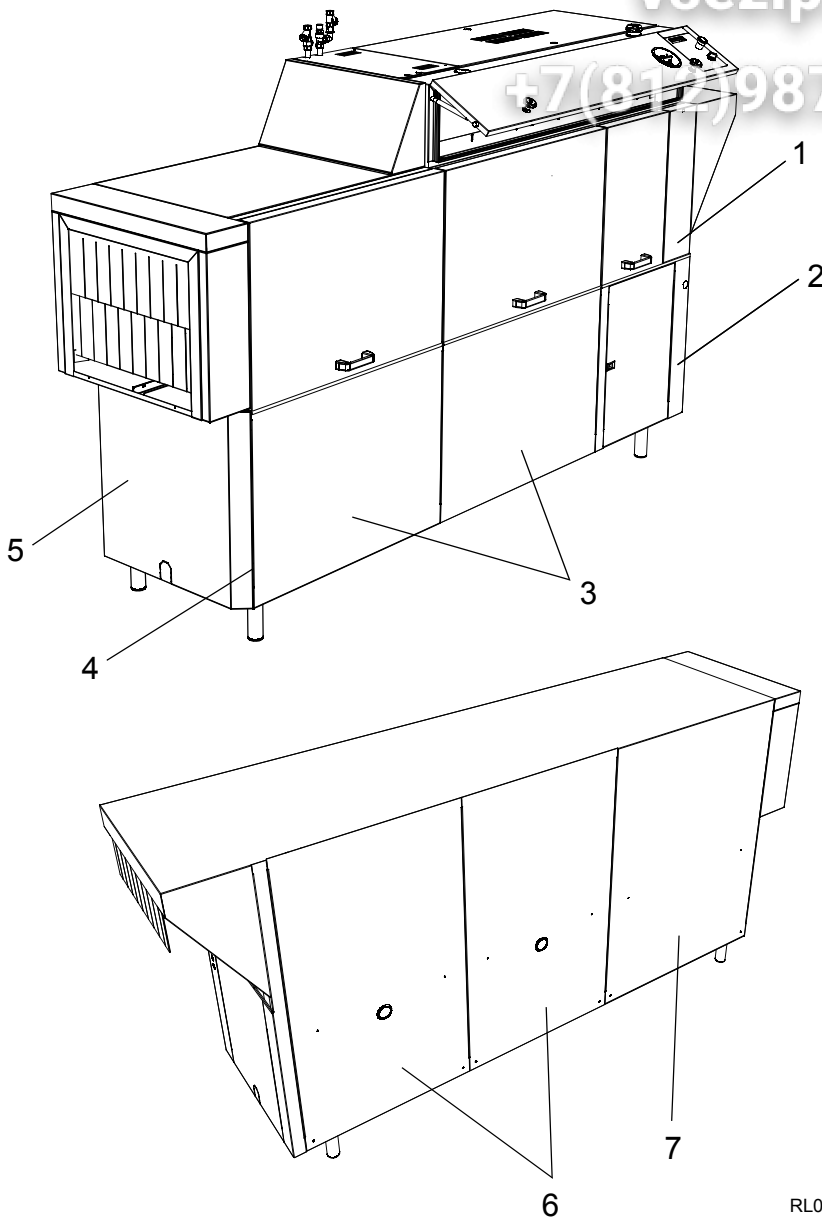
vsezip.ru

POS	M art.no	Mod.	Type	DESCRIPTION	W art.no
Module:Signs					
1			151E	Model sign WD-151E Elektronik	w43482,31
1			151E	Model sign Metos WD-151E Elektronik	w43486,31
1			151E	Model sign Rhima WD-151E Elektronik	w43487,31
1			151E	Model sign Shark WD-151E Elektronik	w44352,31
1			211E	Model sign WD-211E Elektronik	w43482,32
1			211E	Model sign Metos WD-211E Elektronik	w43486,32
1			211E	Model sign Rhima WD-211E Elektronik	w43487,32
1			211E	Model sign Shark WD-211E Elektronik	w44352,32
1			241E	Model sign WD-241E Elektronik	w43482,33
1			241E	Model sign Metos WD-241E Elektronik	w43486,33
1			241E	Model sign Rhima WD-241E Elektronik	w43487,33
1			241E	Model sign Shark WD-241E Elektronik	w44352,33
1			331E	Model sign WD-331E Elektronik	w43482,34
1			331E	Model sign Metos WD-331E Elektronik	w43486,34
1			331E	Model sign Rhima WD-331E Elektronik	w43487,34
1			331E	Model sign Shark WD-331E Elektronik	w44352,34
1			421E	Model sign WD-421E Elektronik	w43482,39
1			421E	Model sign Metos WD-421E Elektronik	w43486,41
1			421E	Model sign Rhima WD-421E Elektronik	w43487,39
1			421E	Model sign Shark WD-421E Elektronik	w44352,39
2		symbol	151E	Panel sign WD-151E Symbol	w36052,31
2		symbol	151E	Panel sign Metos WD-151E Symbol	w36657,31
2		symbol	211E,241E,331E,421E	Panel sign WD-211/331E Symbol	w36050,31
2		symbol	211E,241E,331E,421E	Panel sign Metos WD-211/331E Symbol	w36659,31
2		text		Panel sign WD-151/331E Klartext	w23502,31
2		text		Panel sign Metos WD-151/221E Klartext	w23958,31

Зип-Общепит

vsezip.ru

+7(812)987-08-81



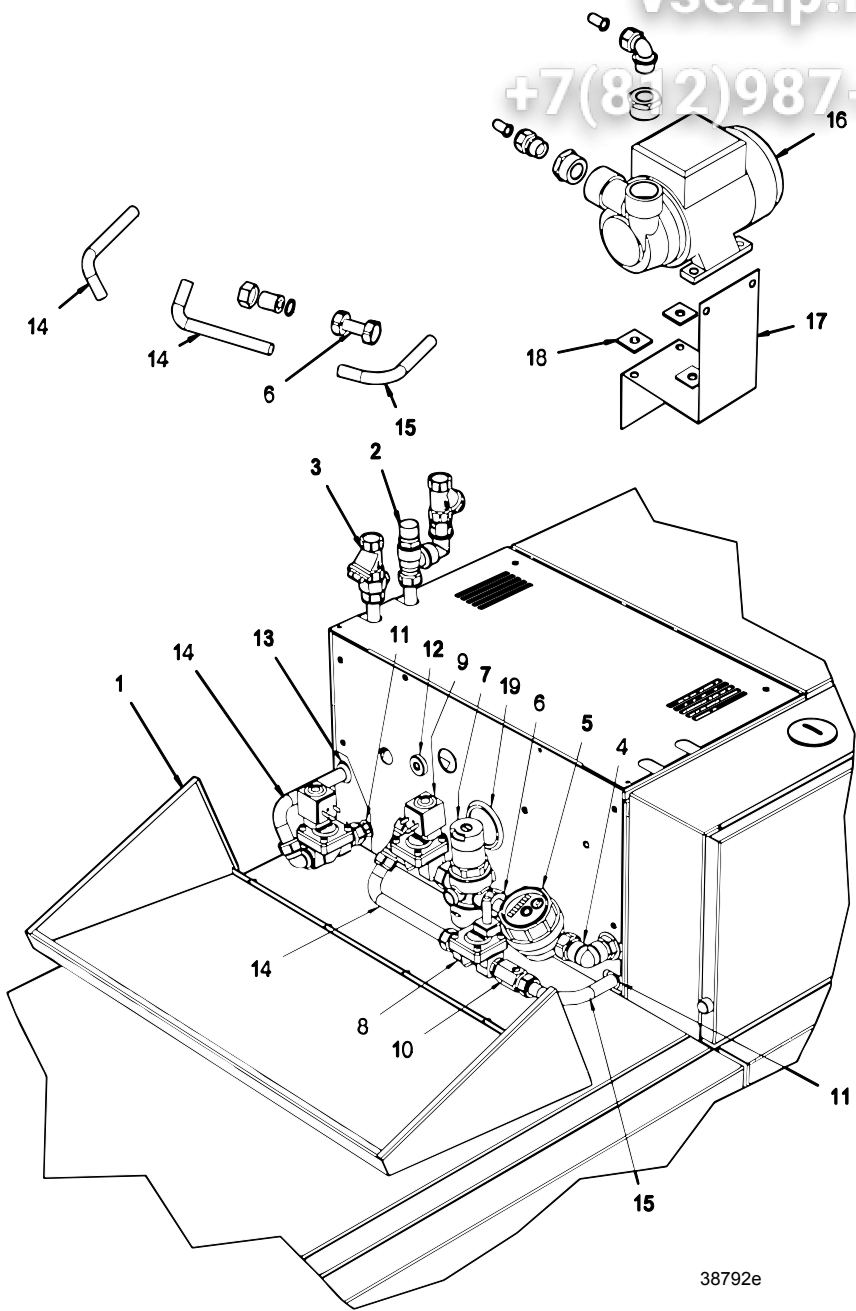
RL01

vsezip.ru

POS	M art.no	Type	DESCRIPTION	W art.no
Module:Cover plates				
1			Coverplate cabel pit	w36591,31
2			Coverplate outfeed	w36005,31
3		211E	Coverplate 600mm	w36001,31
3			Coverplate 900mm	w36003,31
4			Flushing defence	w43431,31
5			Ending fitting input	w23316,31
6			Coverplate back	w23318,31
7		211E	Covering cap 600mm	w23317,31
7		241E,331E,421E	Covering cap 900mm	w23328,31

vsezip.ru

+7(812)987-08-81



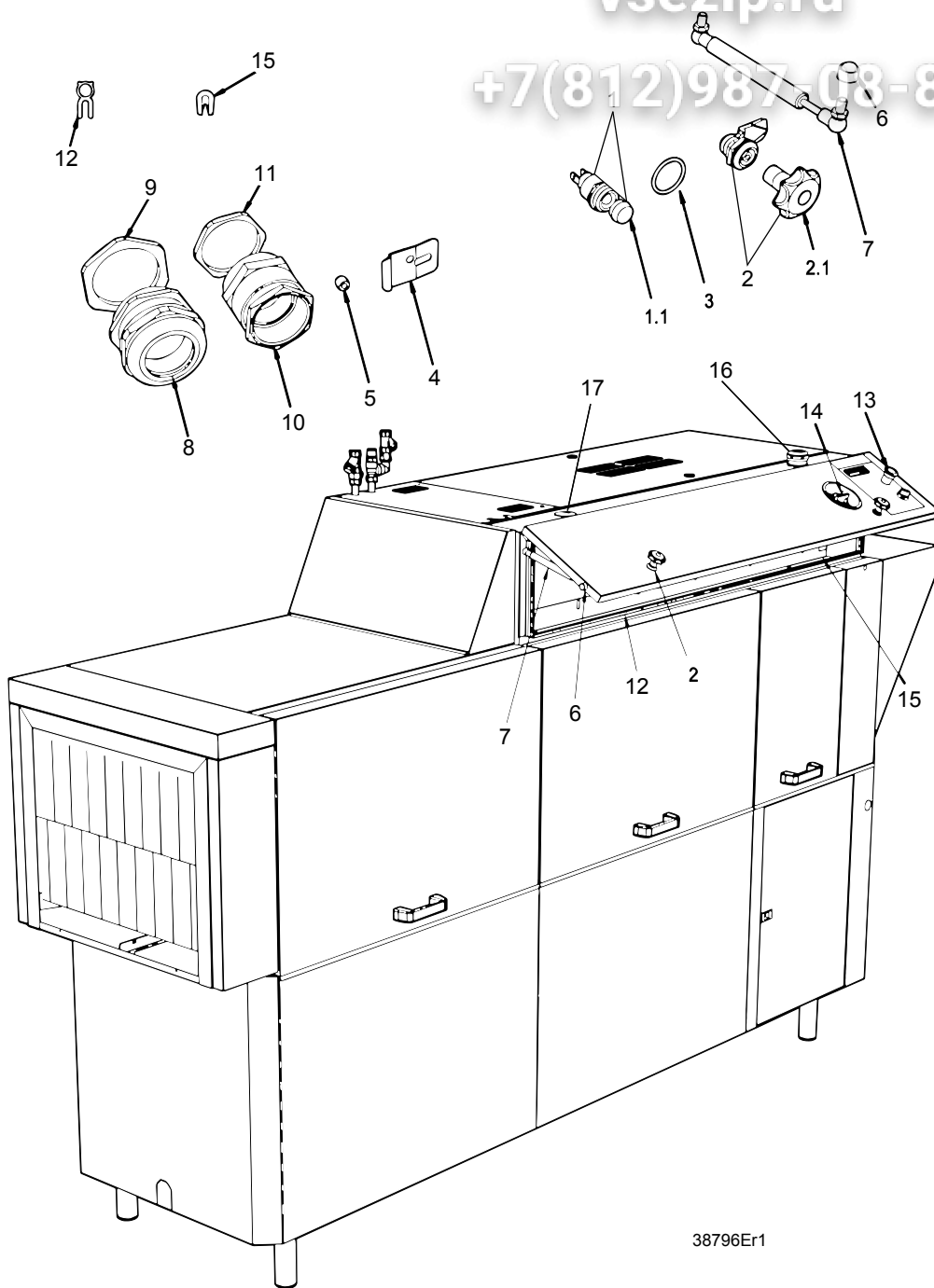
38792e

vsezip.ru

POS	M art.no	Type	DESCRIPTION	W art.no
Module:Water connections mm				
1			Valve hood	w37306,01
2	5320206		Inlet device cw , Cpl	w705,1004
3	5320205		Hot water connection , Cpl	w705,1003
3			Output drying agent , Cpl cold water conn.ma- chine	w705,1005
			Muff 3275-R15 cold water conn.machine	w706,0503
4			Angle connection	w43744,01
5	5315612		Water meter EVW-20 pulse sensor	w709,1903
6	5320179		Connection pipe	w43407,31
7	5320220		Reducing valve G $\frac{1}{2}$ "	w709,0940
8			Sol.valve housing	w729,2540
9			Coil 24V	w729,2519
10	5315593		Ball valve $\frac{1}{2}$ " EVS-15	w709,0805
11			Conduit entry	w61701519
12			Rubber sleeve	w51458029
13			Conduit entry	w719,1219
14	5320186		Pipe cold-water valve cooling	w43472,31
15	5320185		Pipe cold-water valve	w43471,31
16			Pump PQWm-60-BZ 230V/50Hz	w805,4001
17			Attachment pump	w38421,31
18	5320246		Rubber foot 30x30x3	w719,1330
19			Plug	w718,1050

vsezip.ru

+7(812)987-08-81



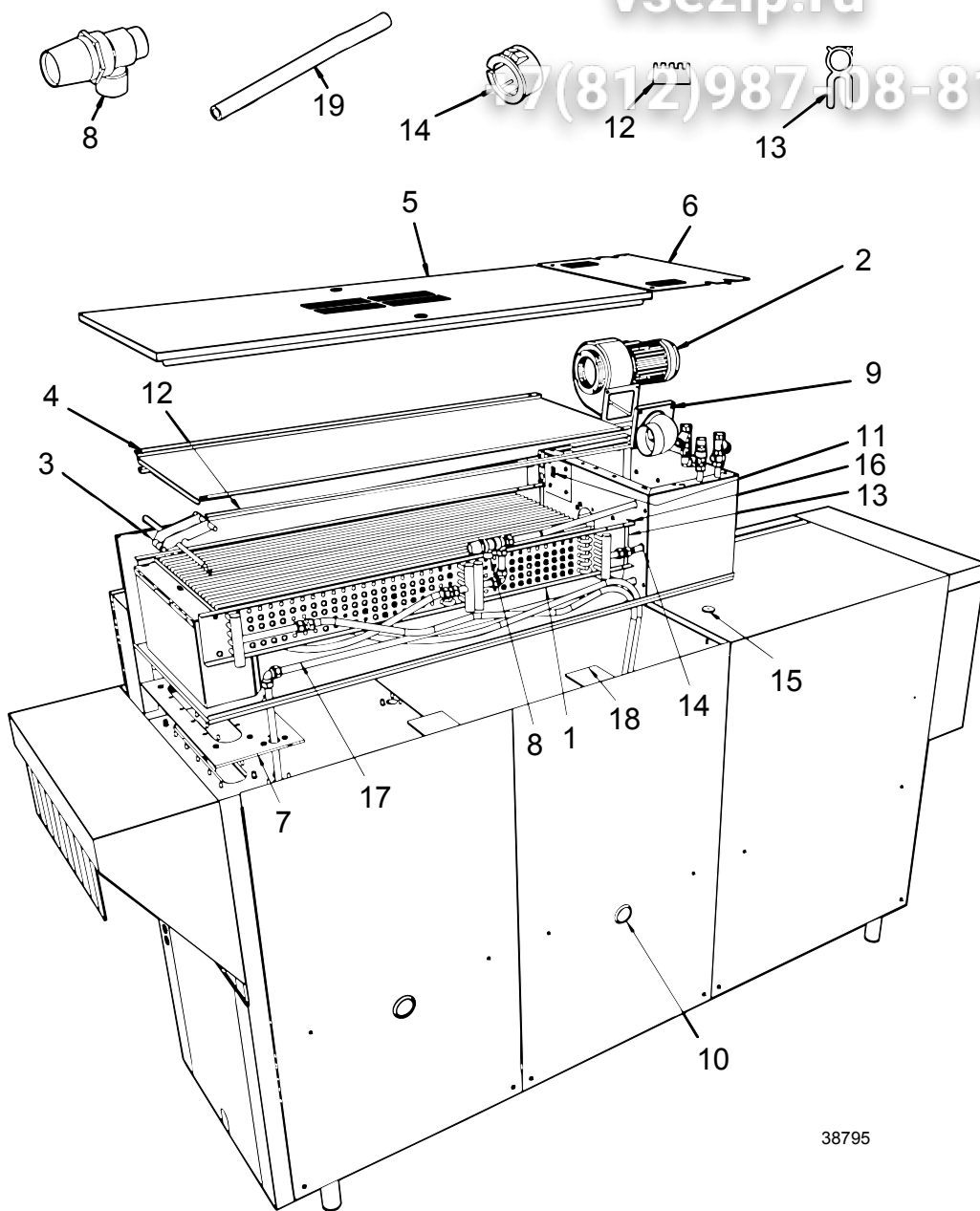
38796Er1

vsezip.ru

POS	M art.no	Type	DESCRIPTION	W art.no
Module:Electric cubicle				
1	5315511		Pilot lamp socket w.bulb green , Cpl	w618,0112
1.1	5315512		* Lamp lens green 2066756	w618,1112
2	5320250		Lock with wheel , Cpl	w792,0202
2.1	5320253		* Locking knob	w792,0205
3			O-ring 31.2x3.0	w719,1031
4			Attachement	w43743,31
5	5320196		Distance tube 4380x7	w702,2207
6	5320238		Nut cover	w718,1108
7	5320228		Gas spring 200N	w713,0504
8			Screw cap 50mm	w51476007
9			Lock nut 50mm	w51476507
10	5320260		Cable screw cap 47mm	w51460553
11			Lock nut 47mm	w51465054
12	5320243		Weather strip L=3,5m	w719,0521
13	5320328		Emergency stop 3-pol , Cpl	w53799918
			* Connector	w53732712
			* Connector block	w53733196
			* Sponge trigger red	w53732846
14	5320048		Handle yel/red 0/1 ksh 48	w60140014
15			Defence border L=17,5cm	w719,0524
			Plastic case A4	w724,0502
16			Screw cap 50mm	w51476007
16			Locking nut 50mm	w51476507
17			End plug	w51476567

vsezip.ru

7(812)987-08-81



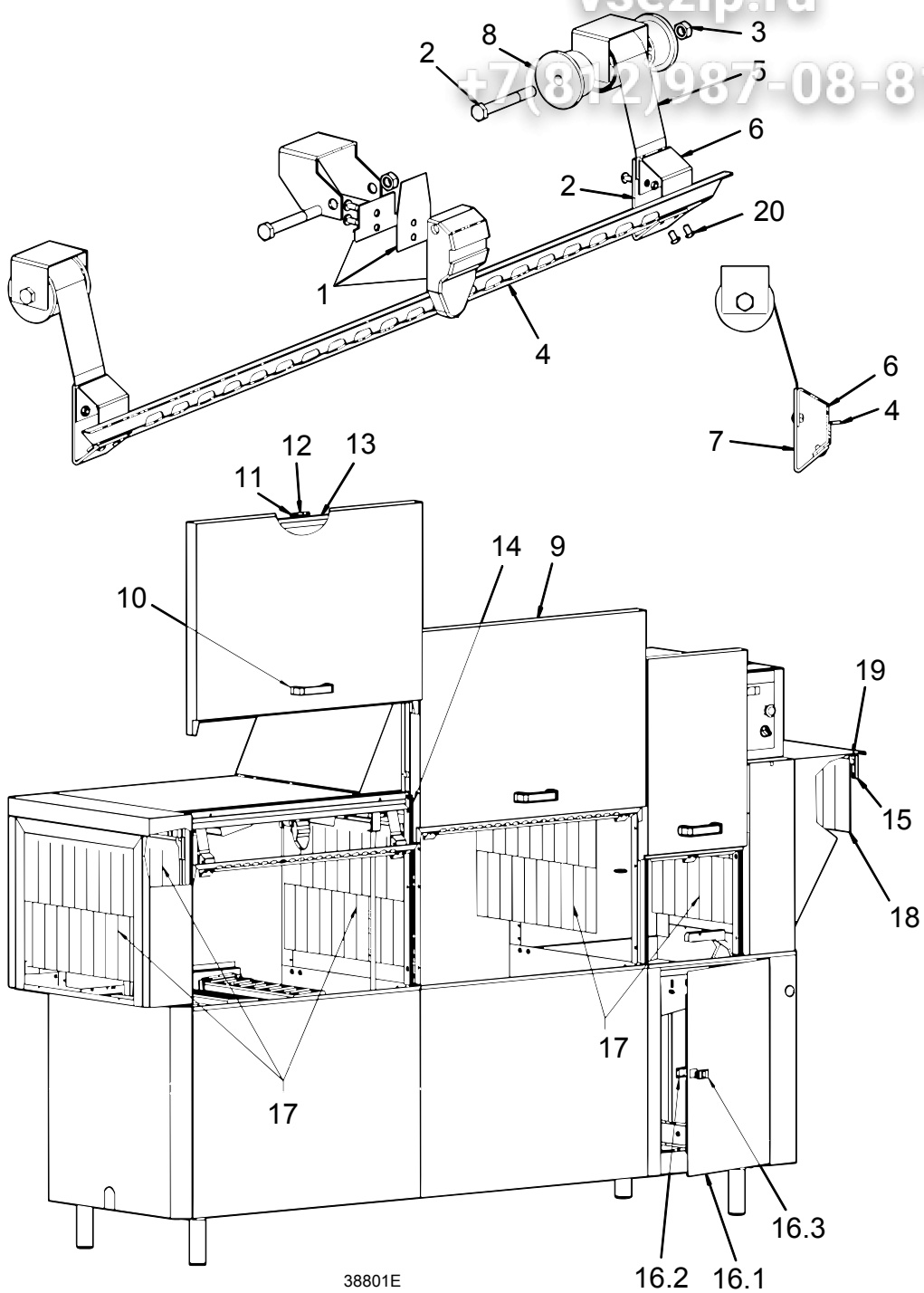
38795

vsezip.ru

POS	M art.no	Type	DESCRIPTION	W art.no
Module:Condensing battery, condensing fan				
1	5320350		Condensing battery	w810,0903
2	5315935		Fan VR92/2 220/380V 50Hz	w738,2020
3			Lifting device , Cpl	w36322,75
			* Cond.bat lifting , Cpl	w36322,01
	5320175		* Distance sleeve	w43386,31
			* Locking nut LM DIN 985 M6 A2	w700,1404
			* Screw M6S M6x60 A2	w700,0123
4	5320123		Lid, condensing battery	w36045,31
5	5320121		Cover for cond.battery	w36040,31
6	5320122		Cover for cond.fan	w36043,31
7	5320187		Packing for cond.battery	w43488,31
8	5315599		Safety valve HM15 10bar	w709,1205
9			Blow-off pipe	w36951,31
10			Plug	w718,1050
11			Holder	w43411,32
12	5320241		Rubber moulding L=4m	w719,0506
13	5320242		Sealing L=70cm	w719,0520
14			Conduit entry	w61701519
15			Grommet 35x7x5	w43489,31
16			Attachment	w44070,31
17			Pipe WW-filling	w43467,31
18			Self-adhering rubber distance	w43652,31
19			Pipe pex 15x2.5 L=25cm	w918,0115

vsezip.ru

+7(812)987-08-81

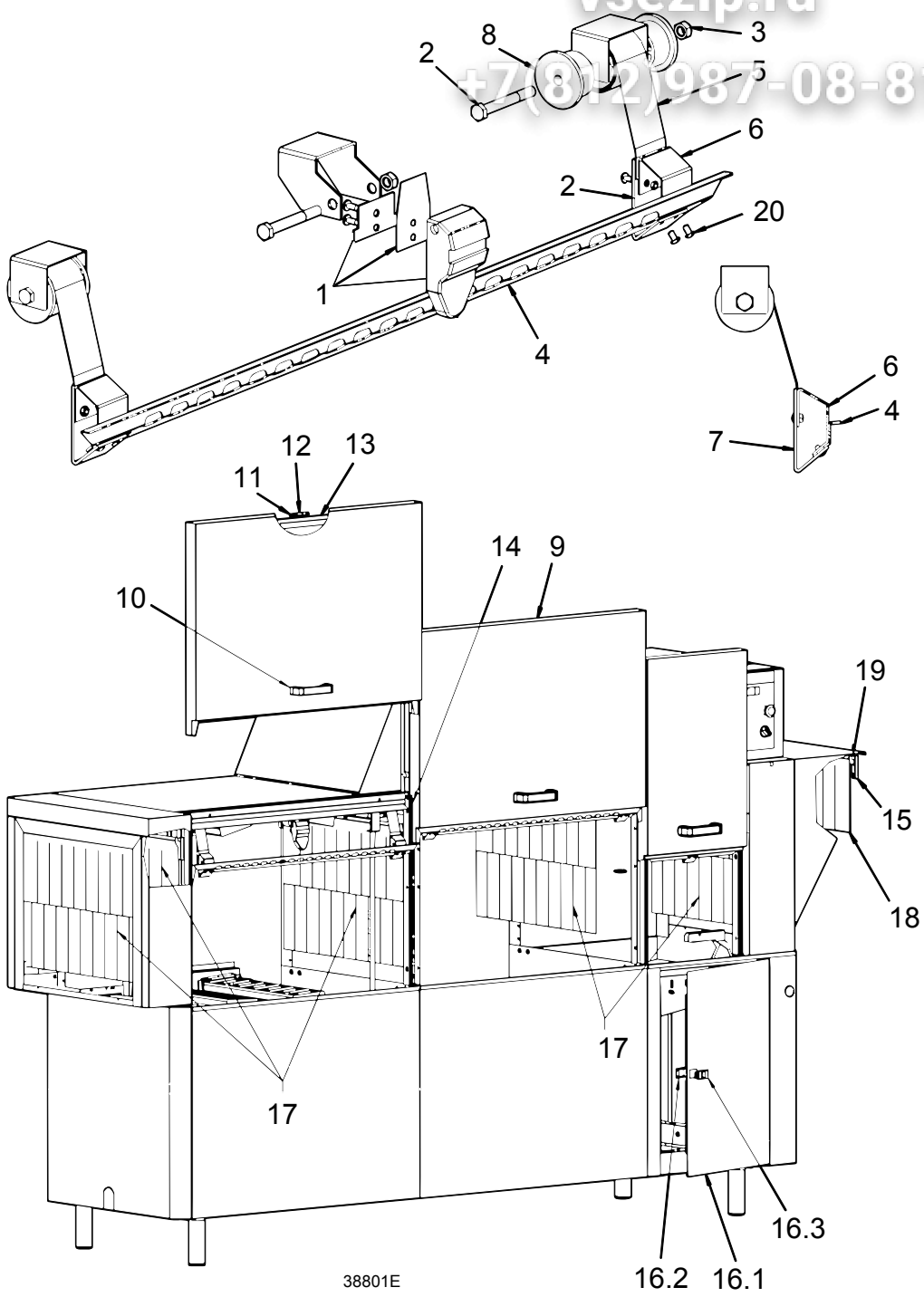


vsezip.ru

POS	M art.no	Type	DESCRIPTION	W art.no
Module:Doors, curtains				
1			Door locking , Cpl	w36457,75
2	5320866		Screw M6S M8x70 A2	w700,0144
3			Locking nut LM M8 DIN 985 A2	w700,1405
4	5320166		Fastening border door 900mm	w43338,31
4	5320165	211E	Fastening border door 600mm	w43337,31
4	5320169		Fastening border door 400mm	w43344,31
5	5315515		Spring door 47N	w713,1047
5	5320229	211E	Spring 30N	w713,1030
6	5320167		Attachement	w43339,31
7	5320168		Washer	w43340,31
8	5320329		Spring support	w43601,31
9	5320093		Door 900mm , Cpl	w23315,75
9	5320092	211E	Door 600mm , Cpl	w23314,75
9	5320091		Door 400mm , Cpl	w23313,75
10	5320237		* Handle PECO P225/132 M8	w718,0842
			* Screw MCS6S M8x16 A2	w700,0230
11			* Attachment magnet	w43534,31
12	5315353		* Magnet round 6x50	w602,0551
			* Screw FRH M4x8 A2	w700,1808
13	5320244		* Rubber moulding L=90cm	w719,0530
13	5320244		* Rubber moulding L=60cm	w719,0530
13	5320244		* Rubber moulding L=40cm	w719,0530
14	5320868		Sliding border kit , Cpl	w742,4600
15	5320870		Curtain suspension Right	w36623,01
15	5320872		Curtain suspension Left	w36623,02
16			Lower final rinse door cpl	w36025,75
16.1			* Door lock	w37304,01
16.2	5320252		* Stop plug	w792,0204

vsezip.ru

+7(812)987-08-81

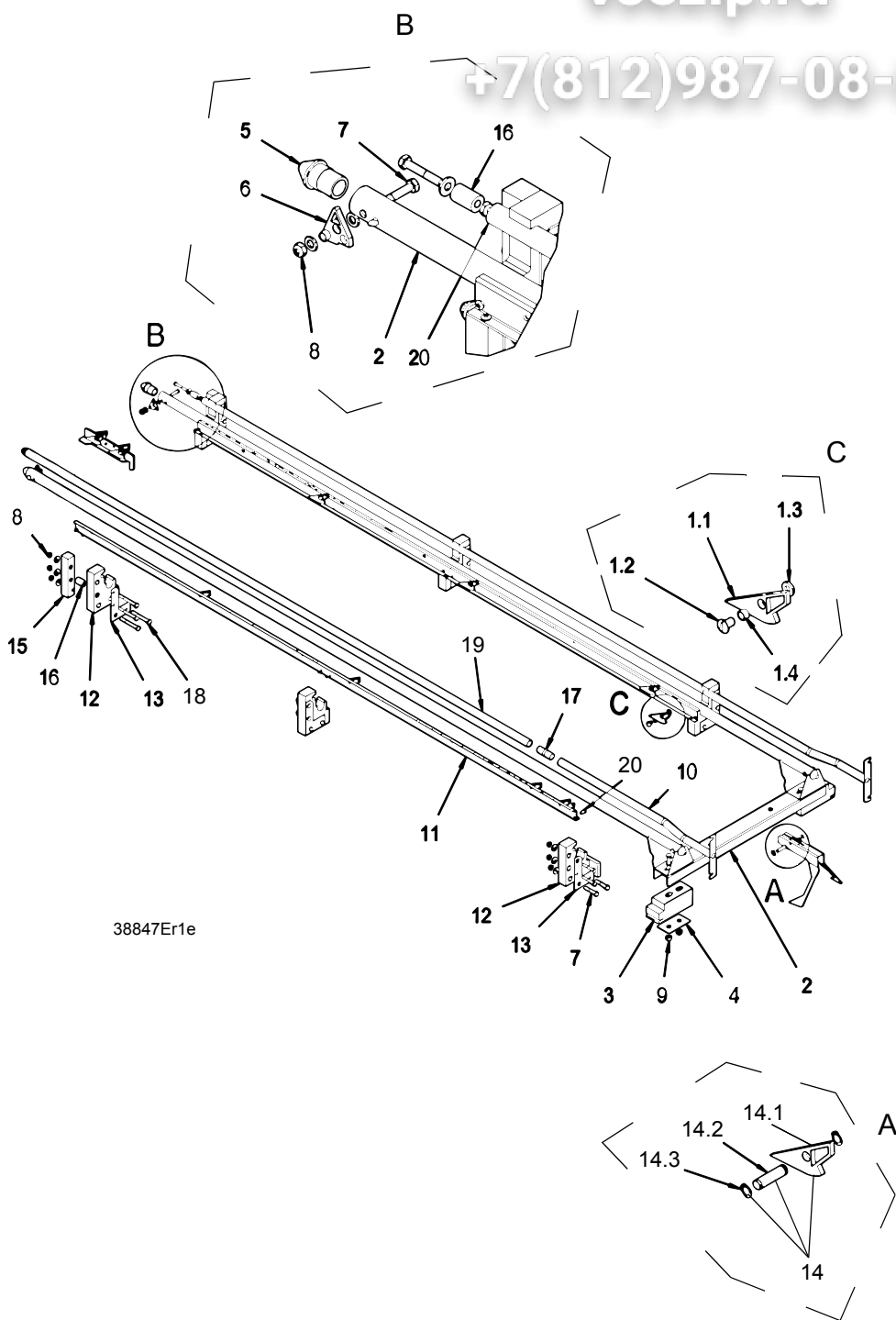


vsezip.ru

POS	M art.no	Type	DESCRIPTION	W art.no
Module:Doors, curtains				
16.3	5320251		* Plate spring	w792,0203
17	5315226		Curtain	w33921,31
18	5320105		Curtain outfeed	w33935,31
19	5315286		Bar for curtain	w41709,31
20			Screw MRX M4x8 A2	wACS12156 0

vsezip.ru

+7(812)987-08-81

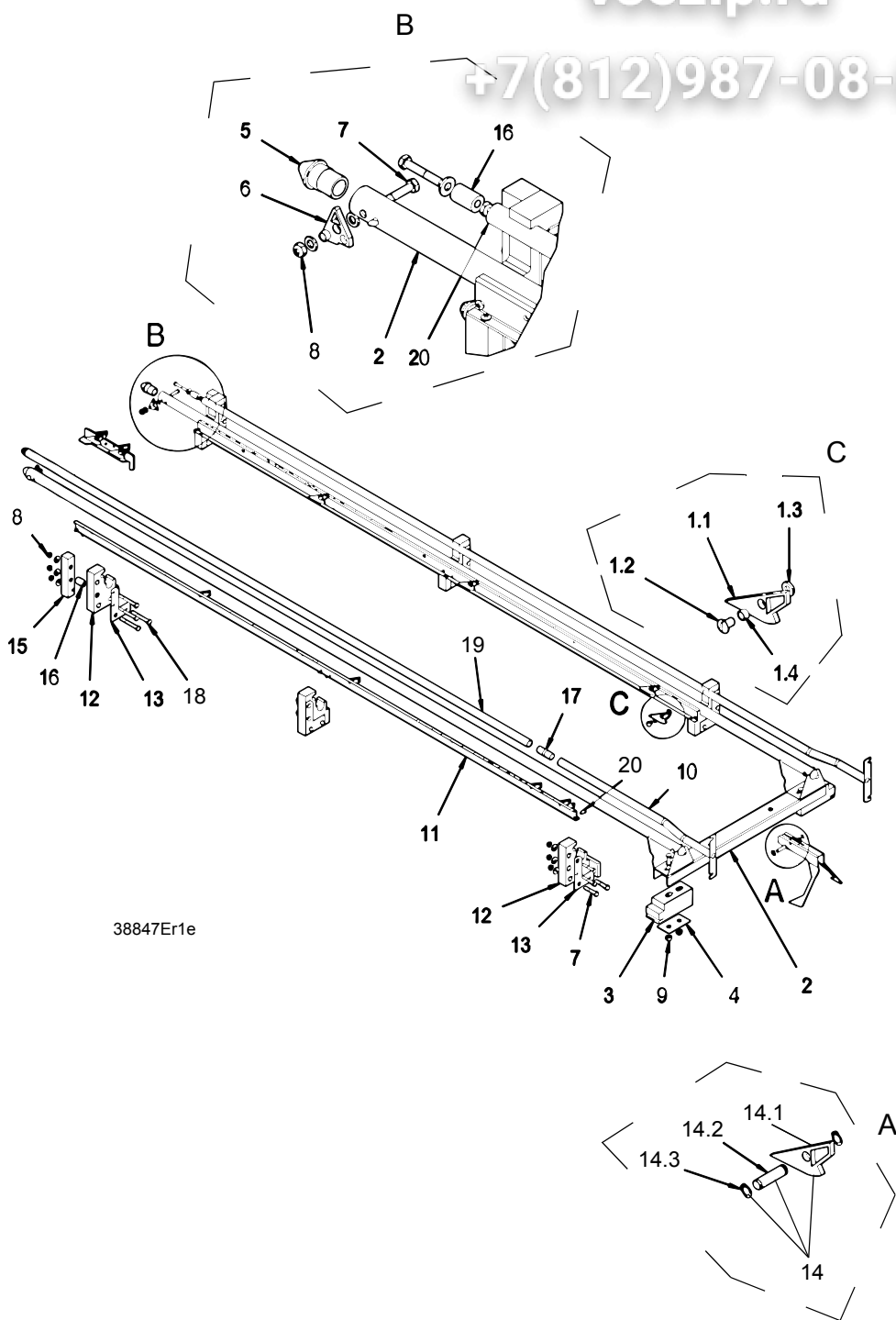


vsezip.ru

POS	M art.no	Type	DESCRIPTION	W art.no
Module: Feeding cradle				
1	5320159		Ratchet , Cpl	w43292,75
1.1	5320158		* Ratchet	w43292,31
1.2			* Screw FRH M6x10 A2	w700,1822
1.3	5320706		* Washer BRB 6.4x12.5 A2	w700,1204
1.4	5320152		* Bushing	w43285,31
2	5320094	151E	Feeding cradle WD-151/151E , Cpl	w23320,75
2	5320095	211E	Feeding cradle WD-211/211E , Cpl	w23320,76
2	5320096	241E	Feeding cradle WD-241/241E , Cpl	w23320,77
2	5320097	331E	Feeding cradle WD-331E , Cpl	w23320,78
2		421E	Feeding cradle WD-421E , Cpl	w23320,79
3	5320153		* Sliding block	w43286,31
4			* Washer	w43404,75
5			* End plug	w43631,31
6	5320156		* Feeding clutch	w43290,31
7			* Screw M6S M6x40 A2	w700,0120
8			* Locking nut LM DIN 985 M6 A2	w700,1404
9			* Locking nut LM M8 DIN 985 A2	w700,1405
	5320152		* Bushing	w43285,31
	5320706		* Washer BRB 6.4x12.5 A2	w700,1204
			* Screw M6S M8x70 A2	w700,0144
	5315567		* Washer BRB 8.4x16 A2	w700,1206
			* Screw MFS6S M6x40 A2	w700,0440
10			Connector pipe	w36483,01
11	5320119	151E	Feeding bar WD-151	w36032,31
11	5320118	211E	Feeding bar WD-211	w36031,31
11	5320099	241E	Feeding bar WD-241	w23390,31
11	5320098	331E	Feeding bar WD-331	w23335,31
11		421E	Feeding bar right WD-421	w39042,75

vsezip.ru

+7(812)987-08-81

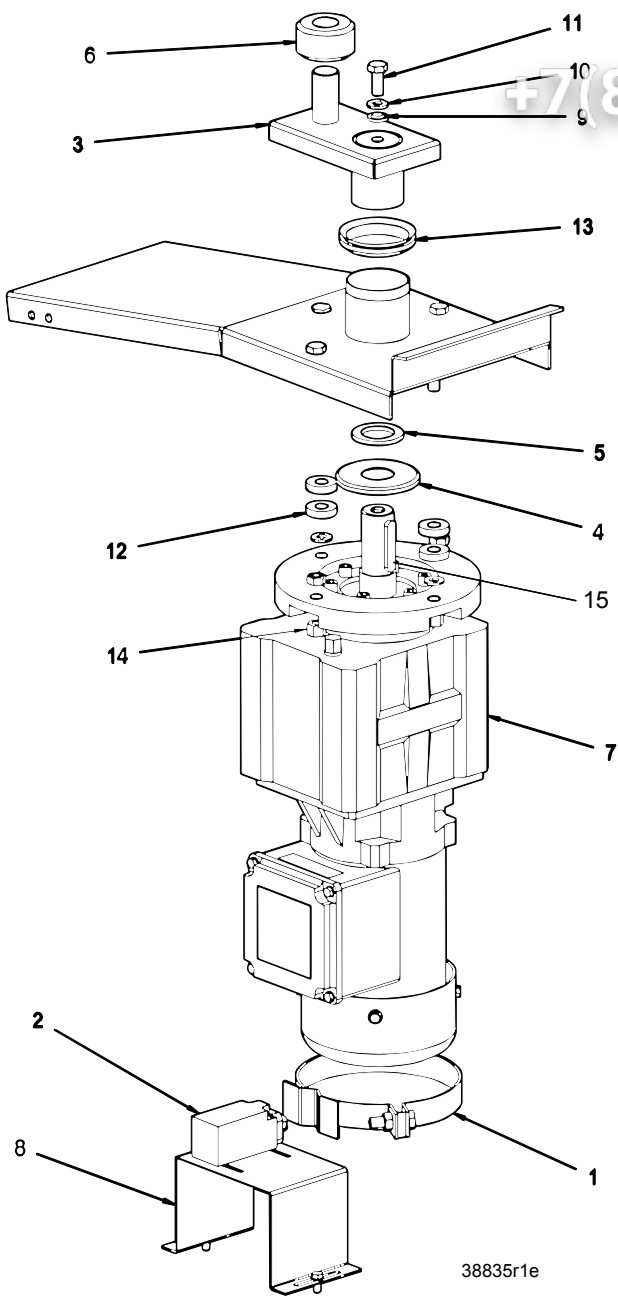


vsezip.ru

POS	M art.no	Type	DESCRIPTION	W art.no
Module: Feeding cradle				
11		421E	Feeding bar left WD-421	w39042,76
12	5320107		Sliding block	w35985,31
13	5320177		Washer	w43405,31
14			Ratchet , Cpl	w43292,76
14.1	5320158		* Feeding clutch	w43292,31
14.2	5320331		* Shaft	w43413,32
14.3	5320195		* Lock ring SGA 8 A2	w701,1336
15	5320155		Distance block	w43289,31
16	5320175		Distance sleeve	w43386,31
17	5320332		Connecting plug for guide pipe	w43761,31
18			Screw M6S M6x60 A2	w700,0123
19		151E	Guide pipe WD-151	w43357,75
19		211E	Guide pipe WD-211	w43357,76
19		241E	Guide pipe WD-241	w43357,77
19		331E	Guide pipe WD-331	w43357,78
19		421E	Guide pipe WD-421	w43357,84
20	5320720		Screw RXS 4.2x13 A2	w700,0715

vsezip.ru

+7(812)987-08-81



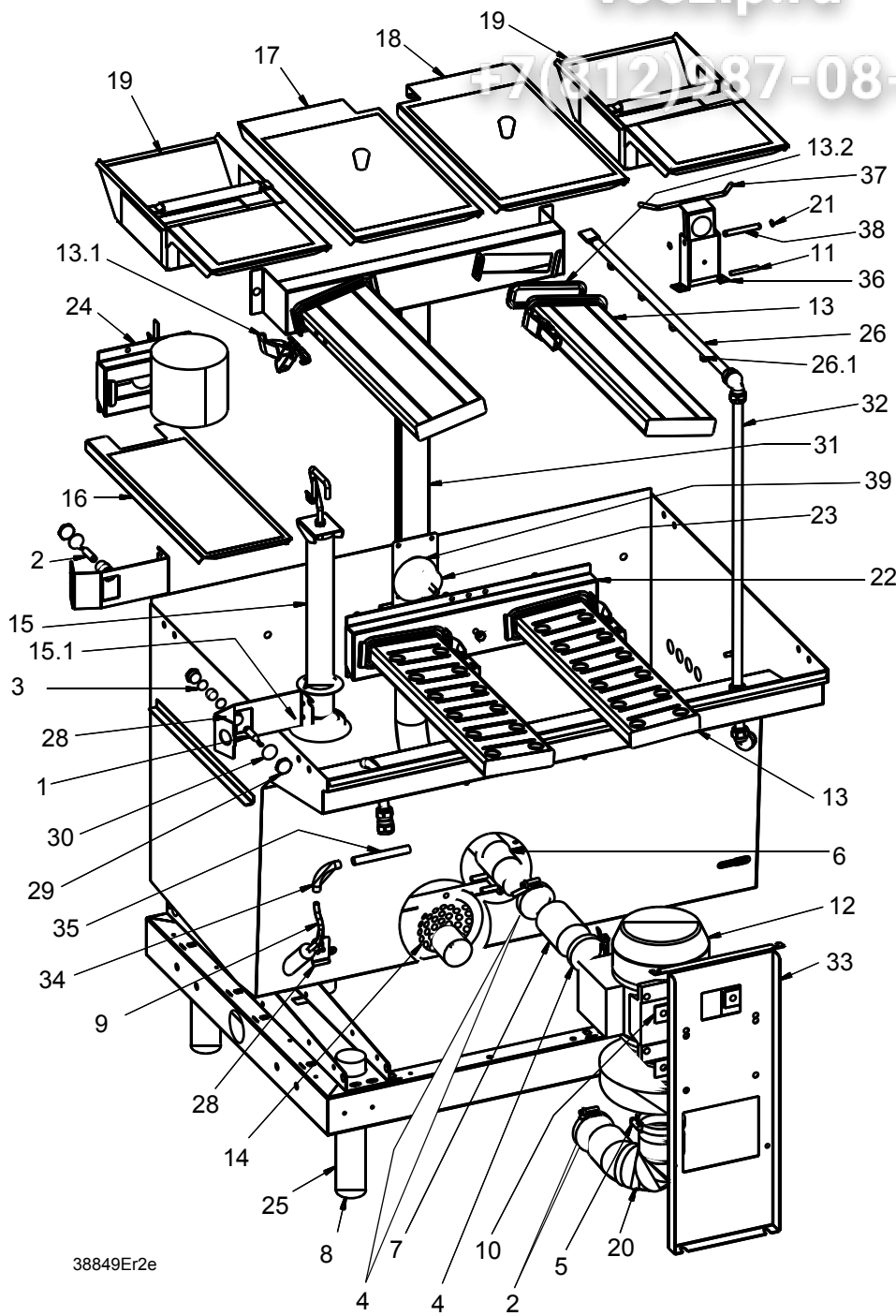
38835r1e

vsezip.ru

POS	M art.no	Type	DESCRIPTION	W art.no
Module: Feeding motor				
1	5320132		Attachment overload breaker	w36112,01
2	5320051		Limit switch	w60312803
3	5315207		Feed crank	w31791,01
4	5315167		Protection washer	w04877,31
5	5315121		Rubber packing	w04297,31
6	5315111		Feed roller	w04174,31
7			Feeding motor	w806,1910
8	5320116		Attachment	w36028,31
9	5315571		Grommet M8	w701,0103
10	5315567		Washer BRB 8.4x16 A2	w700,1206
11			Screw M6S M8x20 A2	w700,0133
12	5315693		Distance rubber	w719,1325
13	5315685		V-ring v-50s	w719,0123
14			Nut M8 helicoil	w700,1605
15			Wedge 8x7x40	w46307,31

vsezip.ru

+7(812)987-08-81



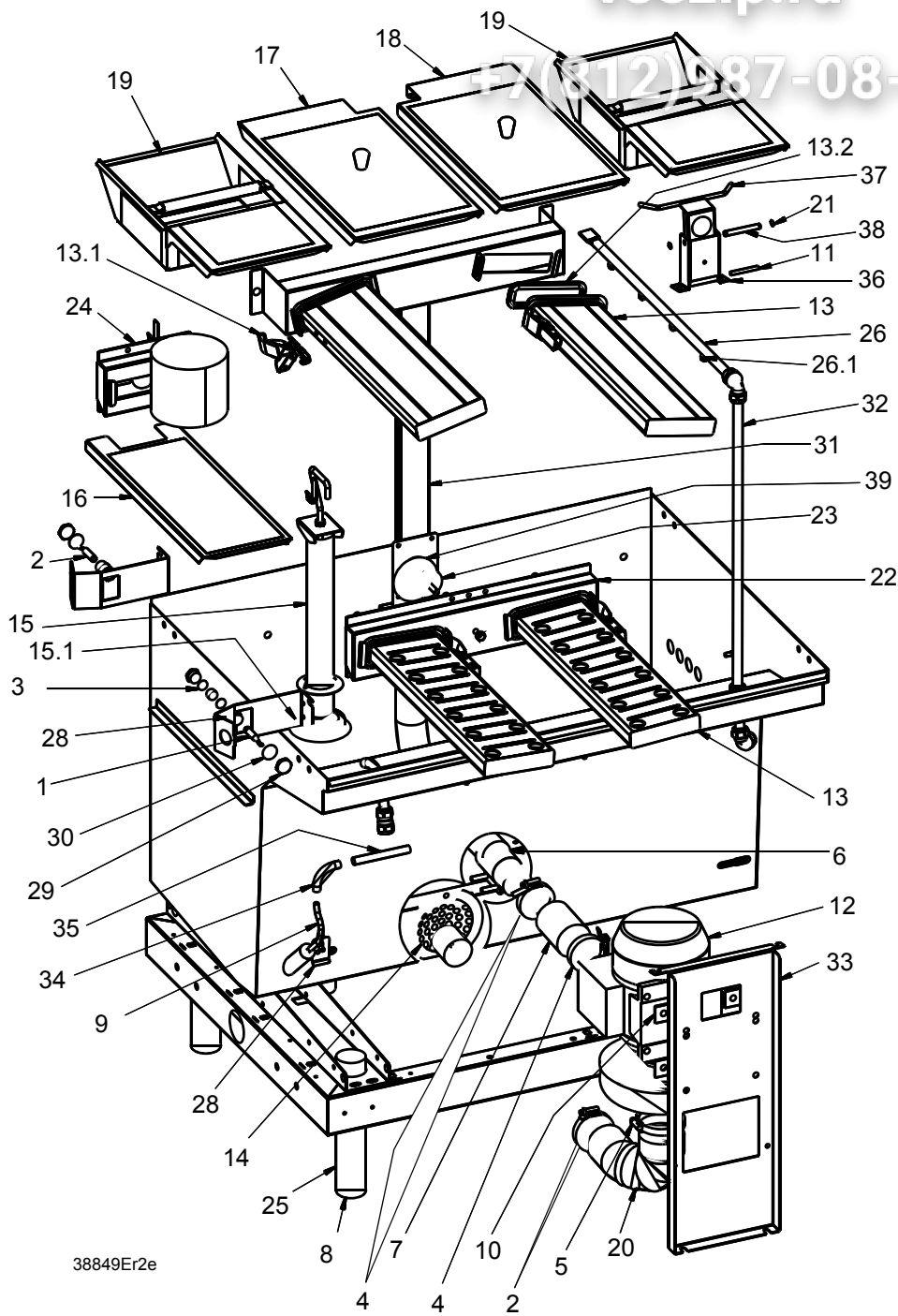
38849Er2e

vsezip.ru

POS	M art.no	Type	DESCRIPTION	W art.no
Module:Pre-wash				
1	5315363	211E,241E,331E,421E	Photocell, receiver SPT1	w603,0001
2	5315365	211E,241E,331E,421E	Photocell, transmitter IED 12	w603,0012
3	5320337	211E,241E,331E,421E	Washer	w41761,31
4	5320016	211E,241E,331E,421E	Hose clamp 50-70/12	w714,0111
5	5315654	211E,241E,331E,421E	Hose clamp 60-80/12 W3	w714,0112
6	5320233	211E,241E,331E,421E	Hose clamp	w714,0122
7	5320235	211E,241E,331E,421E	Radiator hose ø50-1000mm	w717,0150
8	5315686	211E,241E,331E,421E	Plastic foot 48x3-4	w718,0606
9	5320600	211E,241E,331E,421E	Hose EPDM 7x4mm 70shore	w719,0310
10	5320246	211E,241E,331E,421E	Rubber foot 30x30x3	w719,1330
11	5315353	211E,241E,331E,421E	Magnet round 6x50	w602,0551
12	5320294	211E,241E,331E,421E	Pump 230/400V 50Hz	w805,2570
13		211E,241E,331E,421E	Rinse arm , Cpl	w38778,01
13.1		211E,241E,331E,421E	* Eccentric lock	w792,0206
13.2		211E,241E,331E,421E	* Sealing for rinse arm	w36374,31
		211E,241E,331E,421E	* Screw MCS M4x12 A2	w700,0610
		211E,241E,331E,421E	* Washer BRB 4.3x12 A2	w700,1202
14	5320102	211E,241E,331E,421E	Pump strainer	w32422,31
15		211E,241E,331E,421E	Level pipe , Cpl	w36014,75
15.1	5315699	211E,241E,331E,421E	* Level pipe sealing	w719,4036
		211E,241E,331E,421E	* Level pipe	w43384,02
		211E,241E,331E,421E	* Lifting arm level pipe	w43326,01
		211E,241E,331E,421E	* Nut M6M M8 A2	w700,0905
16	5320124	211E,241E,331E,421E	Strainer plate	w36051,31
17	5320131	211E,241E,331E,421E	Strainer plate left , Cpl	w36109,76
18	5320130	211E,241E,331E,421E	Strainer plate right , Cpl	w36109,75
		211E,241E,331E,421E	* Nob	w718,0826
		211E,241E,331E,421E	* Screw M6S M8x25 A2	w700,0135

vsezip.ru

+7(812)987-08-81



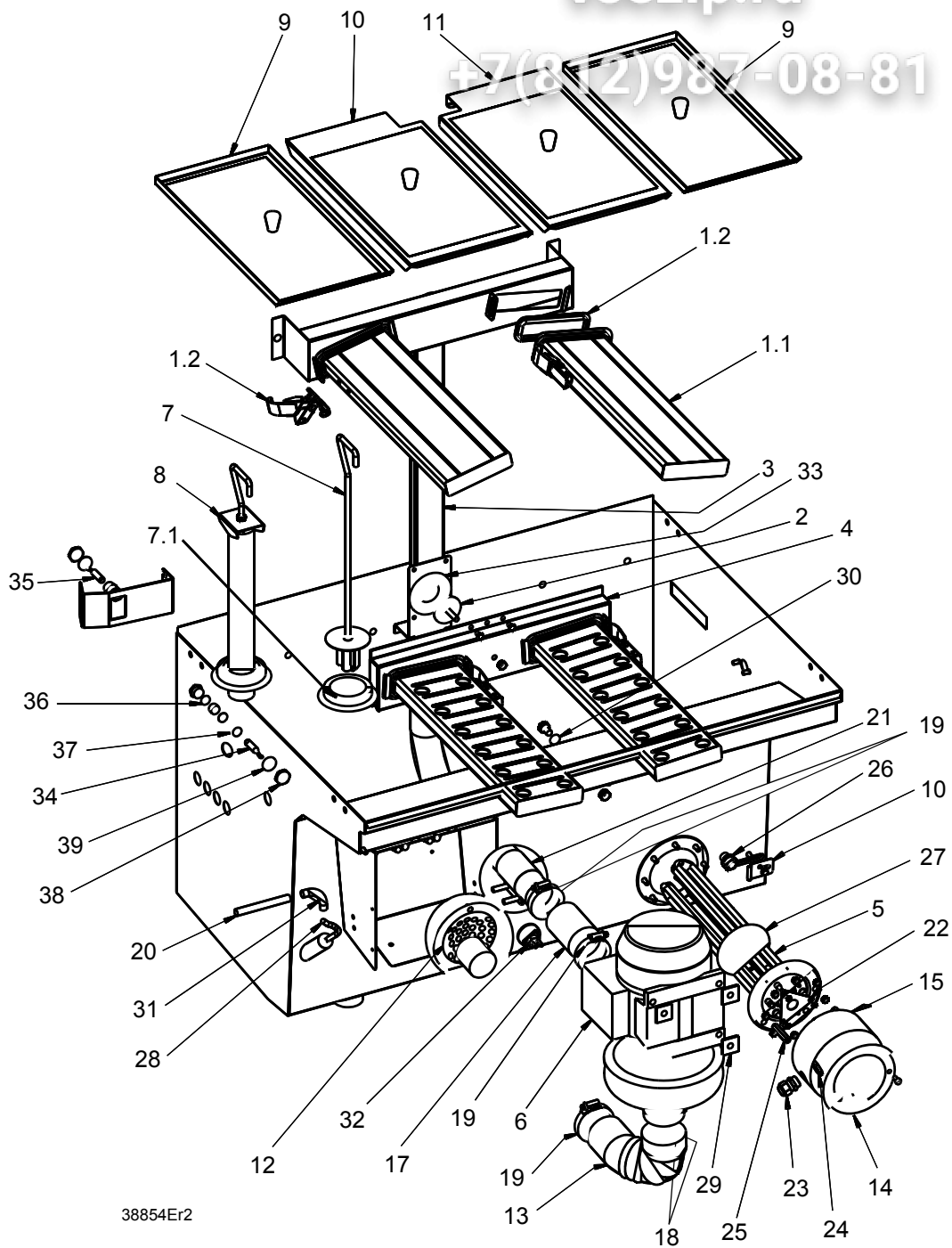
38849Er2e

vsezip.ru

POS	M art.no	Type	DESCRIPTION	W art.no
Module:Pre-wash				
	5315567	211E,241E,331E,421E	* Washer BRB 8.4x16 A2	w700,1206
19	5320133	211E,241E,331E,421E	Strainer	w36116,01
20		211E,241E,331E,421E	Pump connection	w300711,31
21	5320195	211E,241E,331E,421E	Lock ring SGA 8 A2	w701,1336
22	5320190	241E,331E,421E	Lower rinsing ramp	w36527,75
23	5320174	211E,241E,331E,421E	Adjustment plate	w43361,75
24		211E,241E,331E,421E	Lower rinsing ramp	w36530,75
25	5320143	211E,241E,331E,421E	Foot l=245	w40252,31
26	5320171	211E,241E,331E,421E	Rec. final rinse pipe , Cpl	w43356,01
26.1	5315643	211E,241E,331E,421E	* Nozzle	w712,3010
27		211E,241E,331E,421E	Attachement	w43743,31
28	5320334	211E,241E,331E,421E	Cable screw cap 18,6	w51460512
29	5320335	211E,241E,331E,421E	Locking nut 18.6	w51465044
30	5320336	211E,241E,331E,421E	Packing	w61801101
31		211E,241E,331E,421E	Main pipe	w38732,01
32	5320164	211E,241E,331E,421E	Rinspipe interm. rinse cpl	w43335,03
33		211E,241E,331E,421E	Attachment pump	w36034,31
34		211E,241E,331E,421E	Reefbend	w43960,31
35		211E,241E,331E,421E	Pvc-tube 12x1.0	w726,0812
36		241E,331E,421E	Holder breaker middle rinse	w36265,31
37		241E,331E,421E	Breaker middle rinse pre-wash	w36263,01
38	5320182	241E,331E,421E	Shaft	w43413,31
39		211E,241E,331E,421E	Packing mainpipe	w46232,31

vsezip.ru

+7(812)987-08-81



38854Er2

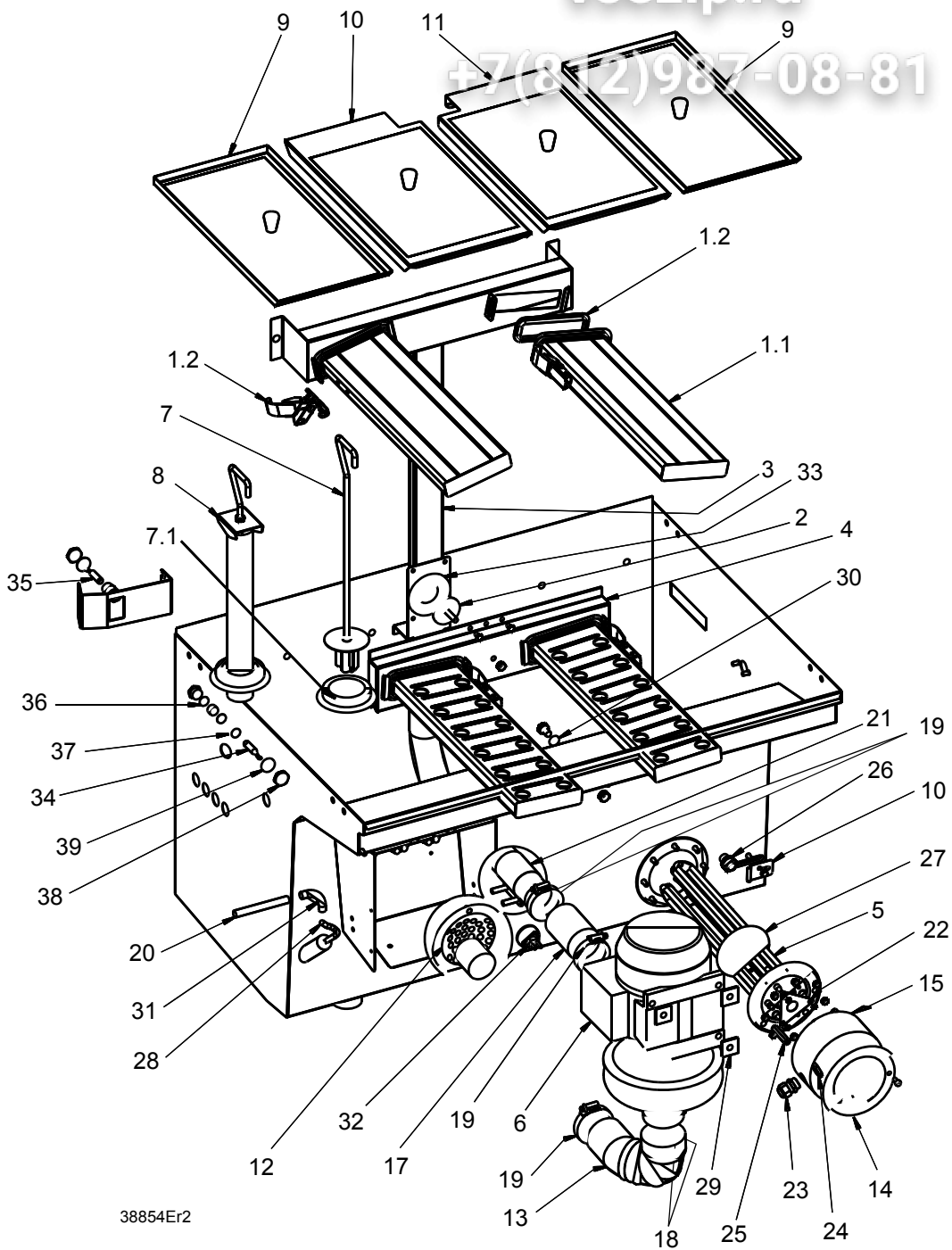
vsezip.ru

POS	M art.no	Type	DESCRIPTION	W art.no
Module:Chemical wash				
1			Rinse arm , Cpl	w38778,01
1.1			* Eccentric lock	w792,0206
1.2			* Sealing for rinse arm	w36374,31
			* Screw MCS M4x12 A2	w700,0610
			* Washer BRB 4.3x12 A2	w700,1202
2	5320174		Adjustment plate	w43361,75
3			Main pipe	w38732,01
4	5320190		Lower rinsing ramp	w36527,75
5	5315199		Element 9kW 230/400V 17,6 ohm	w30835,01
5	5315201		Element 12kW 230/400V	w30835,02
6	5320294		Pump 230/400V 50Hz , Cpl	w805,2570
7	5320113	211E,241E,331E,421E	Outlet sealing , Cpl	w36015,75
7.1	5315699	211E,241E,331E,421E	* Level pipe sealing	w719,4036
		211E,241E,331E,421E	* Outlet sealing	w43737,01
		211E,241E,331E,421E	* Lifting arm level pipe	w43326,02
		211E,241E,331E,421E	* Nut M6M M4 A2	w700,0902
8	5320112	151E	Level Pipe , Cpl	w36014,76
		151E	* Level pipe	w43384,01
	5315699	151E	* Level pipe sealing	w719,4036
		151E	* Lifting arm level pipe	w43326,01
		151E	* Nut M6M M8 A2	w700,0905
9	5320133	151E	Strainer WD151,151E	w36116,01
9	5320106	211E,241E,331E,421E	Strainer , Cpl	w35971,75
		211E,241E,331E,421E	* Nob	w718,0826
	5315567	211E,241E,331E,421E	* Washer BRB 8.4x16 A2	w700,1206
		211E,241E,331E,421E	* Screw M6S M8x25 A2	w700,0135
10	5320131	211E,241E,331E,421E	Strainer plate left , Cpl	w36109,76
11	5320130	211E,241E,331E,421E	Strainer plate right , Cpl	w36109,75

Зип-Общепит

vsezip.ru

+7(812)987-08-81



38854Er2

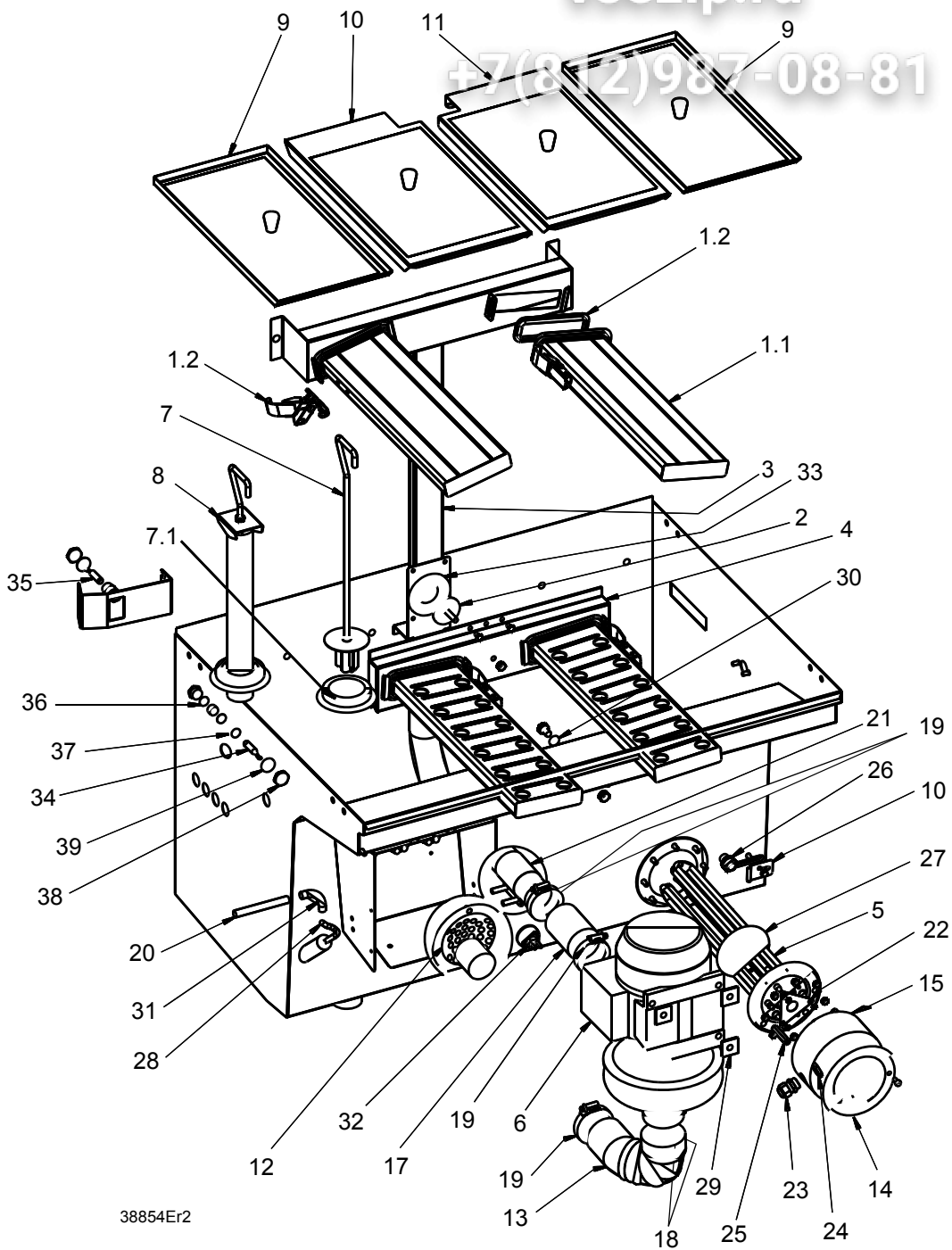
vsezip.ru

POS	M art.no	Type	DESCRIPTION	W art.no
Module:Chemical wash				
		211E,241E,331E,421E	* Knob	w718,0826
	5315567	211E,241E,331E,421E	* Washer BRB 8.4x16 A2	w700,1206
		211E,241E,331E,421E	* Screw M6S M8x25 A2	w700,0135
12	5320102		Pump strainer	w32422,31
13			Pump connection	w36135,31
14	5320144		Electric mantle cover	w40387,31
15			Electric mantle cover	w04904,05
15			Electric mantle cover	w04904,07
16	5320332		Connecting plug for guide pipe	w43761,31
17	5320235		Radiator hose ø50-1000mm	w717,0150
18	5315654		Hose clamp 60-80/12	w714,0112
19	5320016		Hose clamp 50-70/12	w714,0111
20			Pvc-tube 12x1.0	w726,0812
21	5320233		Hose clamp	w714,0122
22	5320276		Copper clamp booster heater	w04920,31
23	5320257		Cable screw cap	w51459918
24			Locking nut 18,6 polyamid	w51465718
25	5320275		Distance sleeve 100x45	w04915,31
26			Attachement	w43743,31
27	5315689		O-ring 90x4.0	w719,1090
28	5320600		Hose EPDM 7x4mm 70shore	w719,0310
29	5320246		Rubber foot 30x30x3	w719,1330
30	5320193		Washer nylon M10	w701,0114
31			Reefbend	w43960,31
			Attachment pump	w36034,31
32			Grommet	w45843,01
32			Gasket	w45682,31
32			Guide washer	w45637,31
32			Washer	w45842,31
32			Nut M6M M6 A2	w700,0904

Зип-Общепит

vsezip.ru

+7(812)987-08-81



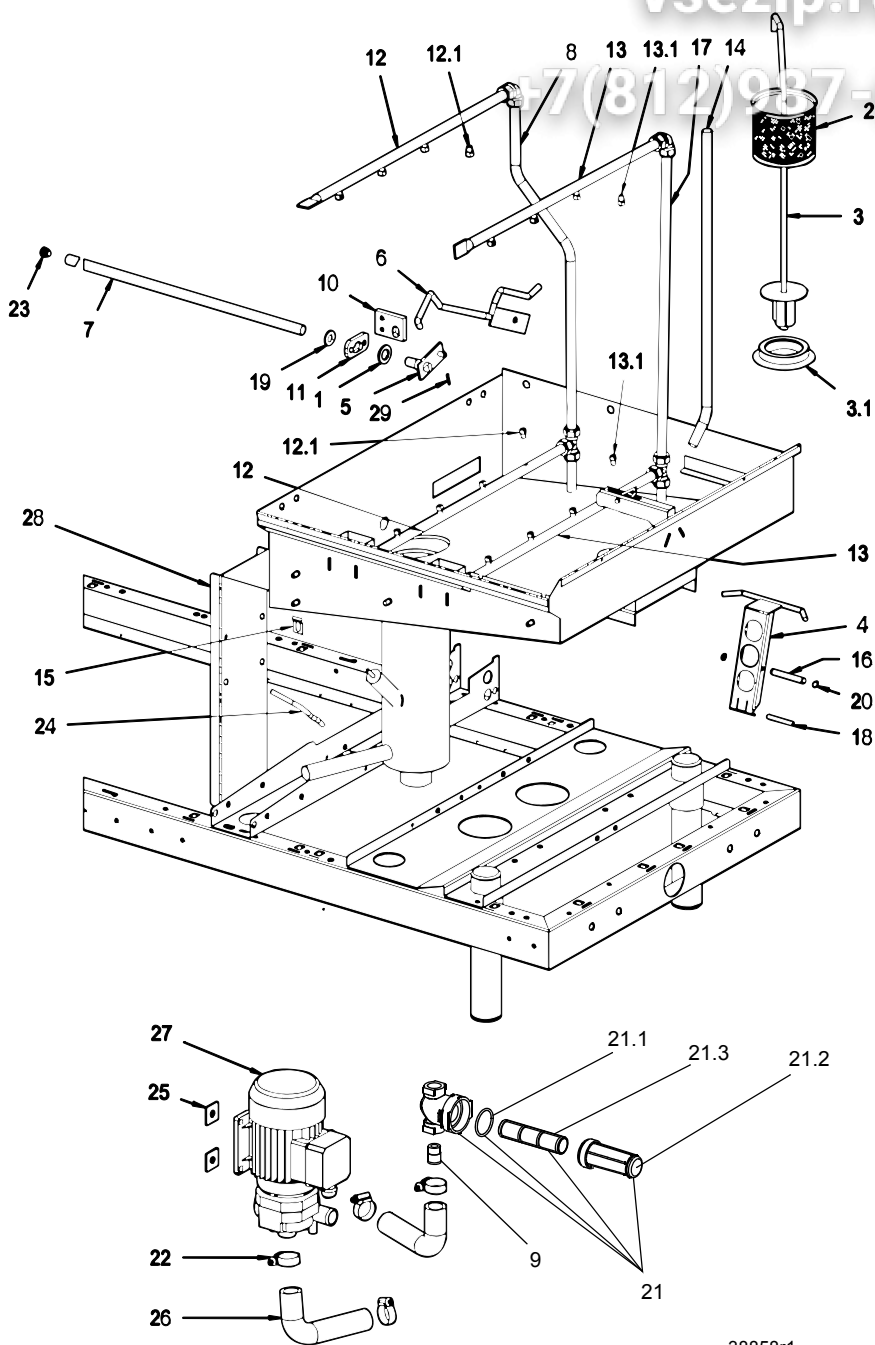
38854Er2

vsezip.ru

POS	M art.no	Type	DESCRIPTION	W art.no
Module:Chemical wash				
33			Packing mainpipe	w46232,31
34	5315363	151E	Photocell, receiver SPT1	w603,0001
35	5315365	151E	Photocell, transmitter IED 12	w603,0012
36	5320337	151E	Washer	w41761,31
37	5320334	151E	Cable screw cap 18,6	w51460512
38	5320335	151E	Locking nut 18.6	w51465044
39	5320336	151E	Packing	w61801101

vsezip.ru

7(812)987-08-81



38858r1

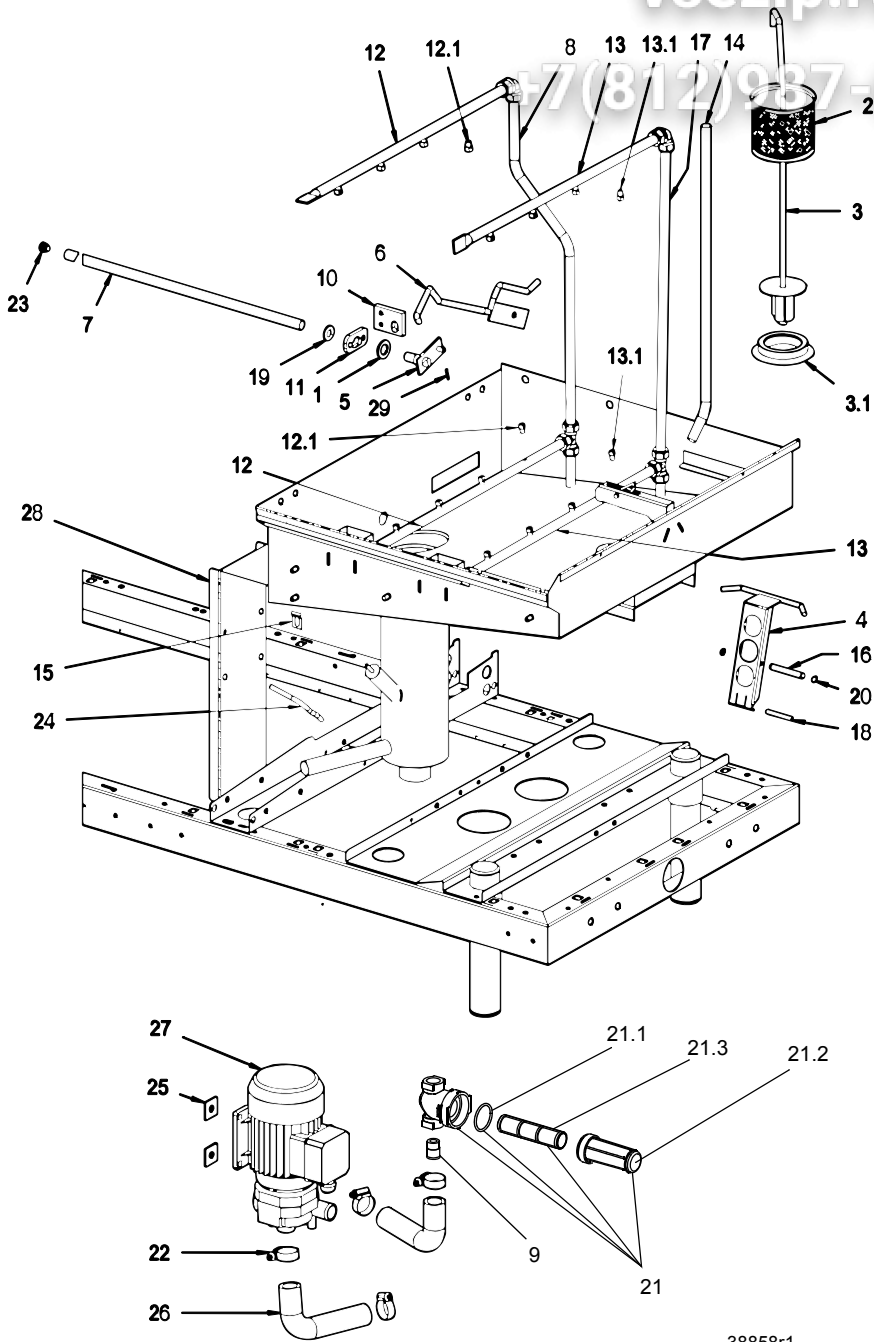
vsezip.ru

POS	M art.no	Type	DESCRIPTION	W art.no
Module:Final rinse, emptying device				
1	5320192		Washer BRB 17x30 A2	w700,1211
2			Strainer, rec. final rinse	w46016,31
3	5315204		Outlet sealing , Cpl	w36019,75
3.1	5315699		* Level pipe sealing	w719,4036
			* Nut M6M M8 A2	w700,0905
4			Final rinse breaker	w36039,01
5	5320125		Knob for emptying	w36071,01
6	5320126		Emptying bar	w36072,01
7	5320135	241E,331E,421E	Lifting shaft drain	w36256,31
7		211E	Lifting shaft for levelpipes	w35988,31
7	5320108	151E,331E	Lifting shaft for levelpipes	w35987,31
8	5320149		Main pipe prerinse/finalrinse	w42107,31
9			Adapter, rec. final rinse	w42961,31
10	5320160		Support emptying bar	w43293,31
11	5320162		Bearing, lifting axle	w43298,31
12	5320171		Rec. final rinse pipe , Cpl	w43356,01
12.1	5315643		* Nozzle	w712,3010
13	5320172		Rec. final rinse pipe , Cpl	w43356,02
13.1	5315650		* Nozzle	w712,3104
14	5320173		Filler tube WW	w43358,31
15			Holder	w43411,32
16	5320182		Shaft	w43413,31
17	5320183		Middle pipe final rinse	w43430,31
18	5315353		Magnet round 6x50	w602,0551
19	5320191		Washer BRB 13x24 A2	w700,1209
20	5320195		Lock ring SGA 8 A2	w701,1336
21			Filter, complete	w709,1840
21.1			* Gasket "big"	w709,1846

Зип-Общепит

vsezip.ru

7(812)987-08-81



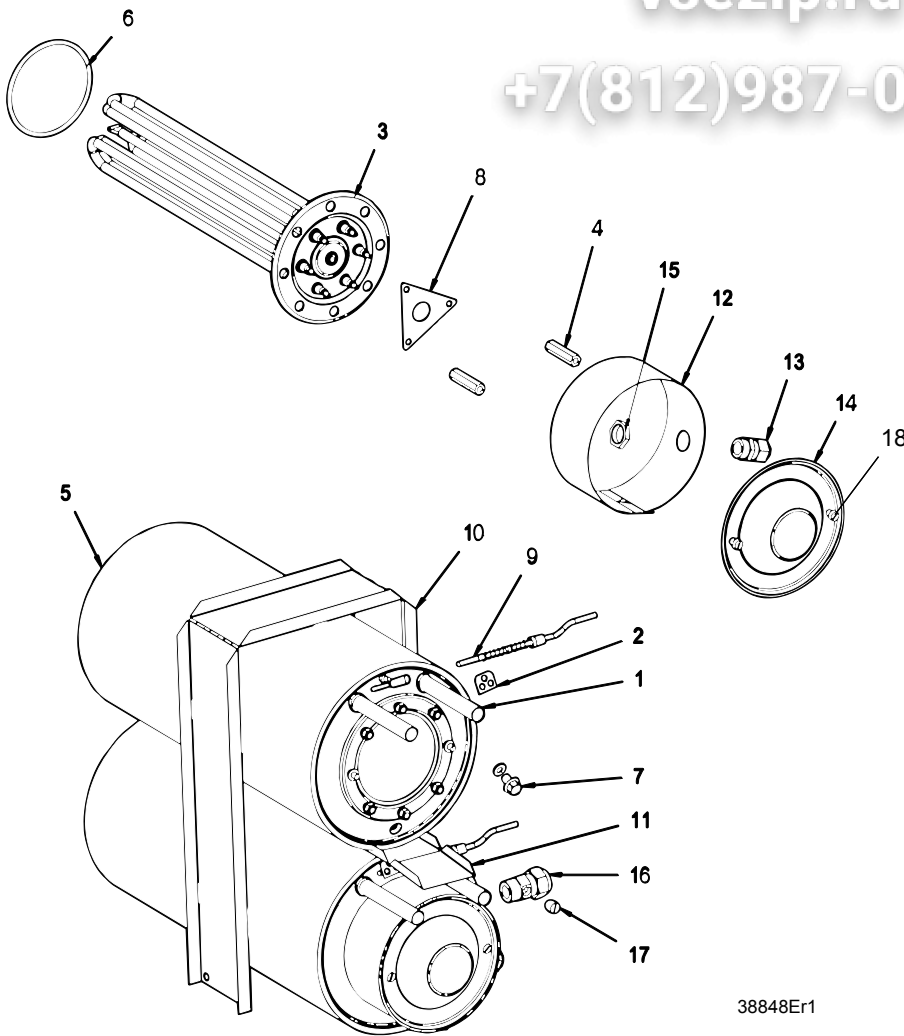
38858r1

vsezip.ru

POS	M art.no	Type	DESCRIPTION	W art.no
Module:Final rinse, emptying device				
21.2			* Gasket "small"	w709,1847
21.3			* Strainer	w709,1843
22	5320020		Hose clamp 22-32/12	w714,0106
23	5320338		Plastic plug slf 15 black	w718,0926
24	5320600		Hose EPDM 7x4mm 70shore	w719,0310
25	5320246		Rubber foot 30x30x3	w719,1330
26	5315697		Rubber bend 60x120x25	w719,4030
27			Pump 230/400V 50Hz , Cpl	w805,2560
28			Attachment final rinse pump	w36029,31
29	5315575		Cotter pin 2x13x15 A4	w701,0602

vsezip.ru

+7(812)987-08-81



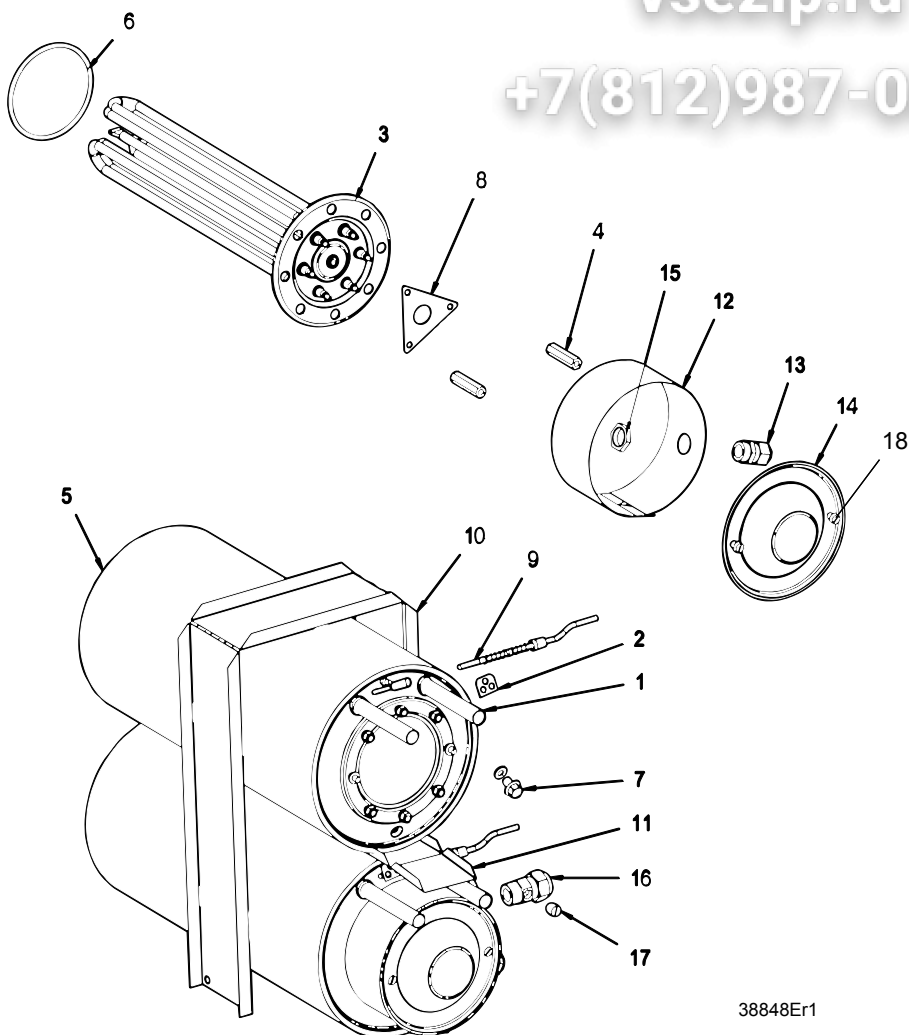
38848Er1

vsezip.ru

POS	M art.no	Type	DESCRIPTION	W art.no
Module:Booster heater				
		151E	Booster heater 9kW 230/400V (E) , Cpl	w01163,14
		211E,241E,331E,421E	Booster heater 12kW 230/400V , Cpl	w01163,16
1			* Container booster heater (E) , Cpl	w01162,71
2			* Attachment temp.sensor	w44203,31
3	5315201	211E,241E,331E,421E	* Element 12kW 230/400V	w30835,02
3	5315199	151E	* Element 9kW 230/400V 17,6 ohm	w30835,01
4	5320275		* Distance sleeve 100x45	w04915,31
5			* Heat insulation booster heater	w809,0903
6	5315689		* O-ring 90x4.0	w719,1090
7			* Collar screw 8x12 A2	w700,2501
8	5320276		* Copper clamp booster heater	w04920,31
			* Washer FBB M4 A2	w700,2101
			* Nut M6M M4 A2	w700,0902
	5320722		* Nut M6M M6 A2	w700,0904
	5320706		* Washer BRB 6.4x12.5 A2	w700,1204
			* Washer BRB 4.3x9 A2	w700,1201
			* Nut M4 A2	w700,1603
9	5315465		Temp.sensor , Cpl	w610,0101
	5320146		* Screw temp-sensor (E)	w41123,31
	5320145		* Spring temp-sensor (E)	w41122,31
10			Booster heater holder	w36313,31
			Screw M6S M6x25 A2	w700,0116
11	5320128		Emptying plate booster heater	w36092,31
12			Electric mantle cover	w04904,07
12			Electric mantle cover	w04904,05
13	5320257		Cable screw cap	w51459918
14	5320144		Electric mantle cover	w40387,31
15			Locking nut 18,6 polyamid	w51465718

vsezip.ru

+7(812)987-08-81

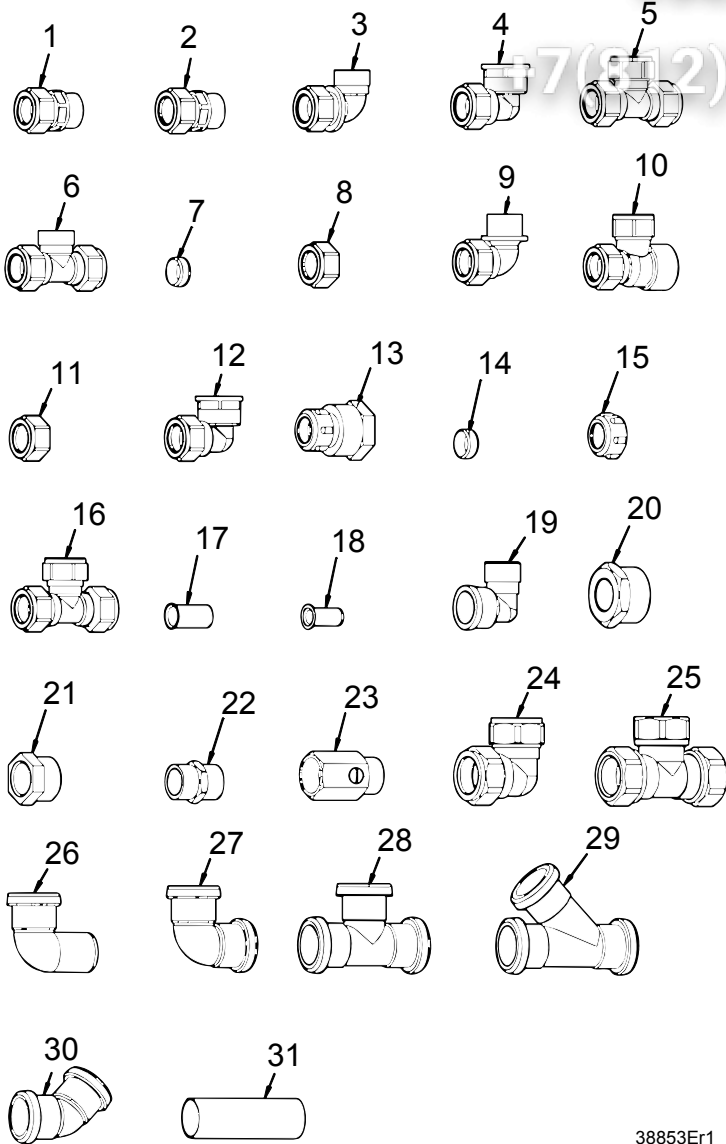


38848Er1

vsezip.ru

POS	M art.no	Type	DESCRIPTION	W art.no
Module:Booster heater				
16	5320088		Coupling GA-15xR1/2"	w04847,01
17	5320271		Plug kr 1/8"	w04847,32
18			* Screw M6S M6x12 A2	w700,0112

Зип-Общепит
vsezip.ru
+7(812)987-08-81

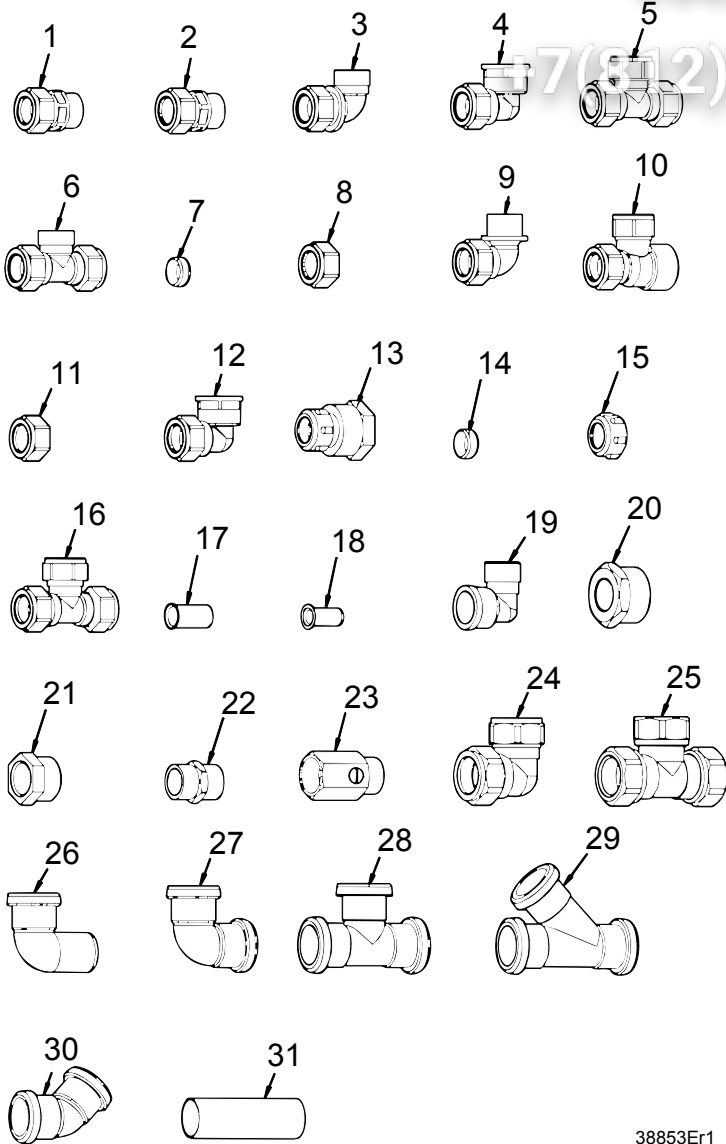


38853Er1

vsezip.ru

POS	M art.no	Type	DESCRIPTION	W art.no
Module: Couplings, pipe details				
1	5320204		Coupling straight 15x15 MF , Cpl	w705,0914
2	5315581		Coupling straight 15x15 MF cr , Cpl Electric	w705,0912
3	5315583		Coupling angeled ½" x 15 MF cr , Cpl	w705,1607
4			Coupling ang.15xR15 int.thread cr , Cpl	w705,1903
5	5320212		T-Coupling15mm cr , Cpl	w705,2215
6	5320213		T-coupling 15xR15x15 cr , Cpl (steam)	w705,2301
7			* Clamping sleeve 15mm	w705,0420
8			* Nut 15mm cr	w705,0316
9			Coupling ang.15xR15 MF out , Cpl	w705,1609
10			Coupl.T-tube 15x15xR15int.thread , Cpl	w705,2704
7			* Clamping sleeve 15mm	w705,0420
11			* Nut 15mm	w705,0315
12	5315585		Coupling ang.15xR15 int.thread , Cpl Electric	w705,1904
13	5320207		Coupling lk 303 15x3/4 , Cpl Electric	w705,1010
14	5320200		* Clamping sleeve	w705,0405
15	5320198		* Nut LK 63-15	w705,0205
16	5320000		T-Coupling15mm	w705,2205
17			Coupling fpl 720-15x1.0	w705,0102
18	5320197		Supporting sleeve 15x2.5	w705,0104
19	5320217		Angel 3261015	w706,1503
20			Muff 3231 1"-½"	w706,0302
21	5320215		Bushing ¾"x½"	w706,0301
22	5320216		Nipple ½"	w706,0803
23	5315593		Ball valve ½" EVS-15	w709,0805
24			Coupling ang 22mm	w705,1207
25			T-coupling 22mm cr	w705,2210
26	5315723		Pvc bend 50x88 PP	w726,0102
27			Pvc bend 50x88 2-muff PP	w726,0109

Зип-Общепит
vsezip.ru
+7(812)987-08-81



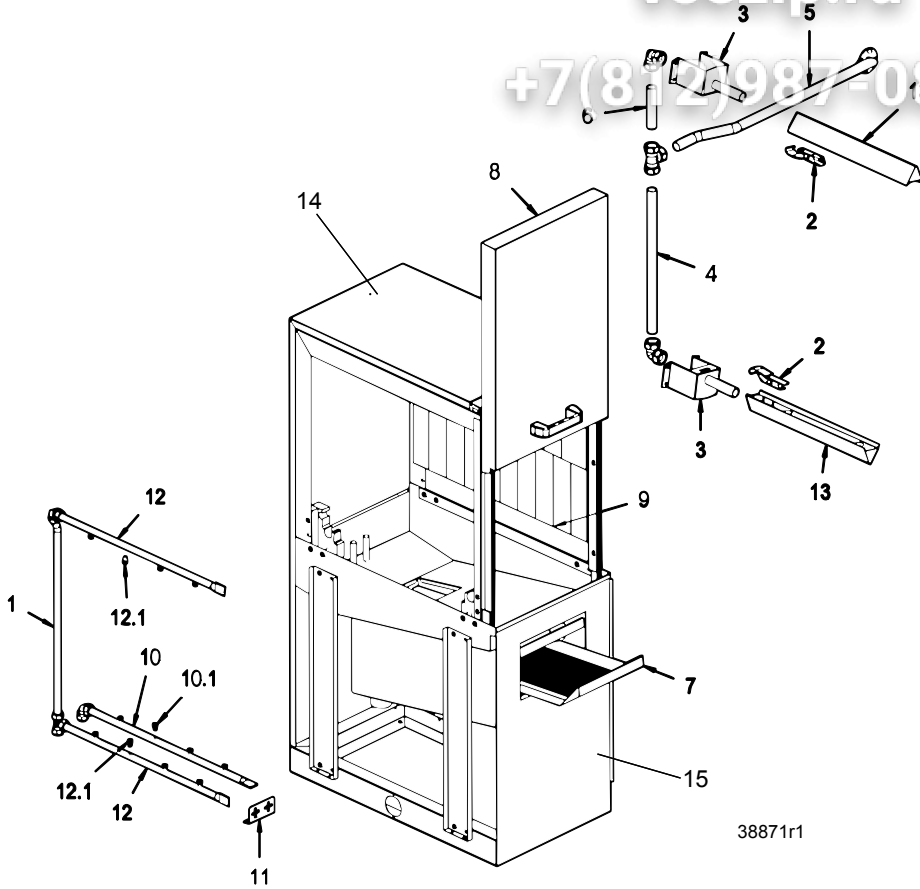
38853Er1

vsezip.ru

POS	M art.no	Type	DESCRIPTION	W art.no
Module: Couplings, pipe details				
28			Pipe branching 50x88 3-muff	w726,0111
29			Pipe branching 50x45 3-muff PP	w726,0112
30			Pvc bend 50x45 2-muff PP	w726,0110
31			Pipe 50x3000 without muff PP	w726,0850

vsezip.ru

+7(812)987-08-81

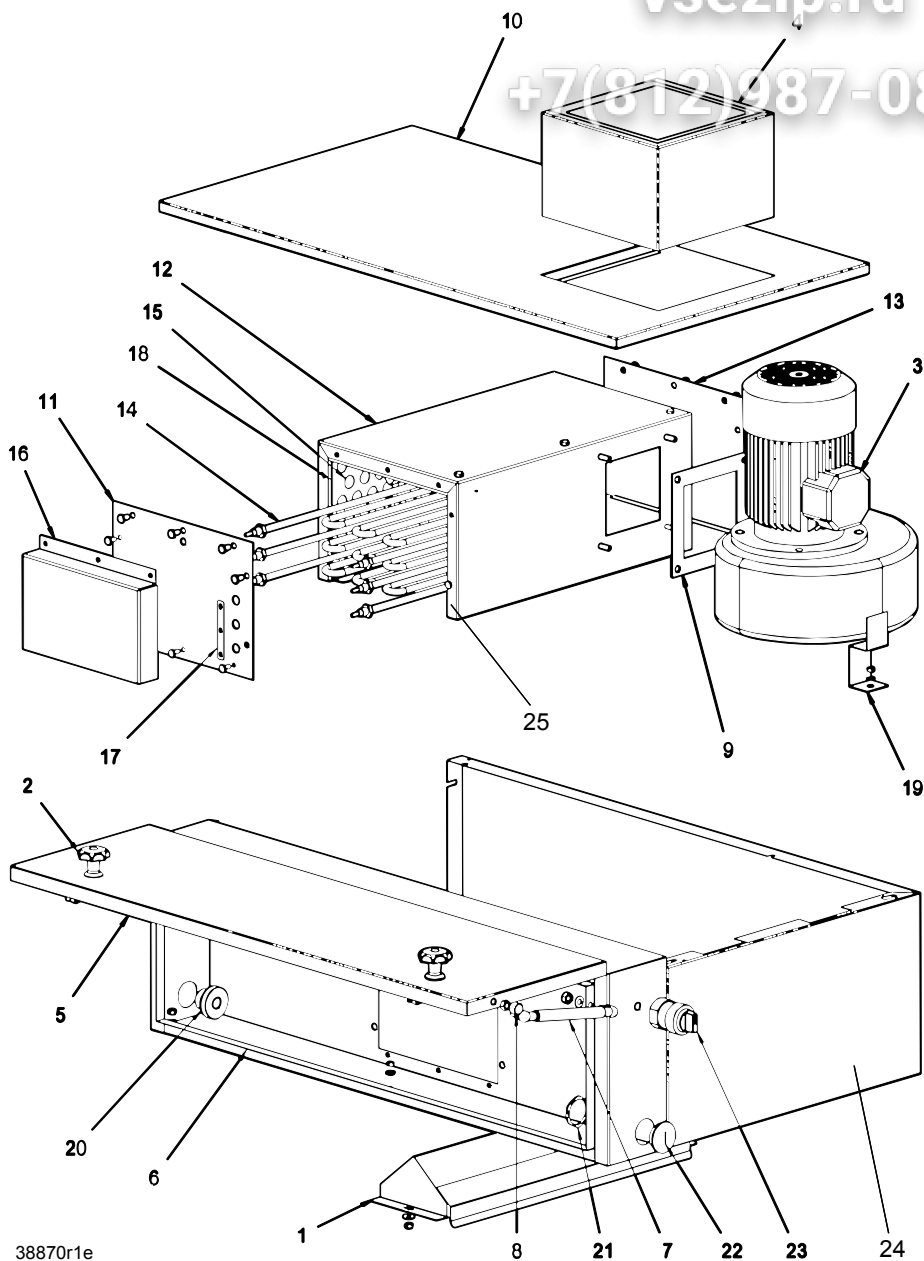


38871r1

vsezip.ru

POS	M art.no	Type	DESCRIPTION	W art.no
Module:Pre-rinse zone FS-40, Optional equipment				
1		151E	Pipe tank-washpipe upper FS-40	w43541,31
2	5320898	211E,241E,331E,421E	Eccentric lock	w792,0206
3	5320221	211E,241E,331E,421E	Bracket for washarm FS-40	w43917,01
4		211E,241E,331E,421E	Pipe joint wash arm FS-40	w43511,76
5		211E,241E,331E,421E	Connection pipe wash arm FS-40	w36279,00
6		211E,241E,331E,421E	Pipe joint wash arm FS-40	w43511,75
7			Strainer prewash FS-40	w301857,31
8	5320091		Door 400mm , Cpl	w23313,75
	5320237		* Handle PECO P225/132 M8	w718,0842
			* Screw MCS6S M8x16 A2	w700,0230
			* Attachment magnet	w43534,31
	5315353		* Magnet round 6x50	w602,0551
	5320244		* Rubber moulding L=40cm	w719,0530
			* Screw FRH M4x8 A2	w700,1808
9	5315226		Curtain	w33921,31
10		151E	Rec. final rinse pipe , Cpl	w45689,01
10.1		151E	* Nozzle	w712,0510
11	5320900	151E	Attachment washpipe FS-40	w43496,31
12	5320172	151E	Rec. final rinse pipe , Cpl	w43356,02
12.1	5315650	151E	* Nozzle 1/16 vv9504	w712,3104
13	5320222	211E,241E,331E,421E	Wash arm FS-40	w43981,01
14		211E,241E,331E,421E	Cover cap	w23445,31
15		211E,241E,331E,421E	Cover plate front	w36260,31

vsezip.ru
+7(812)987-08-81



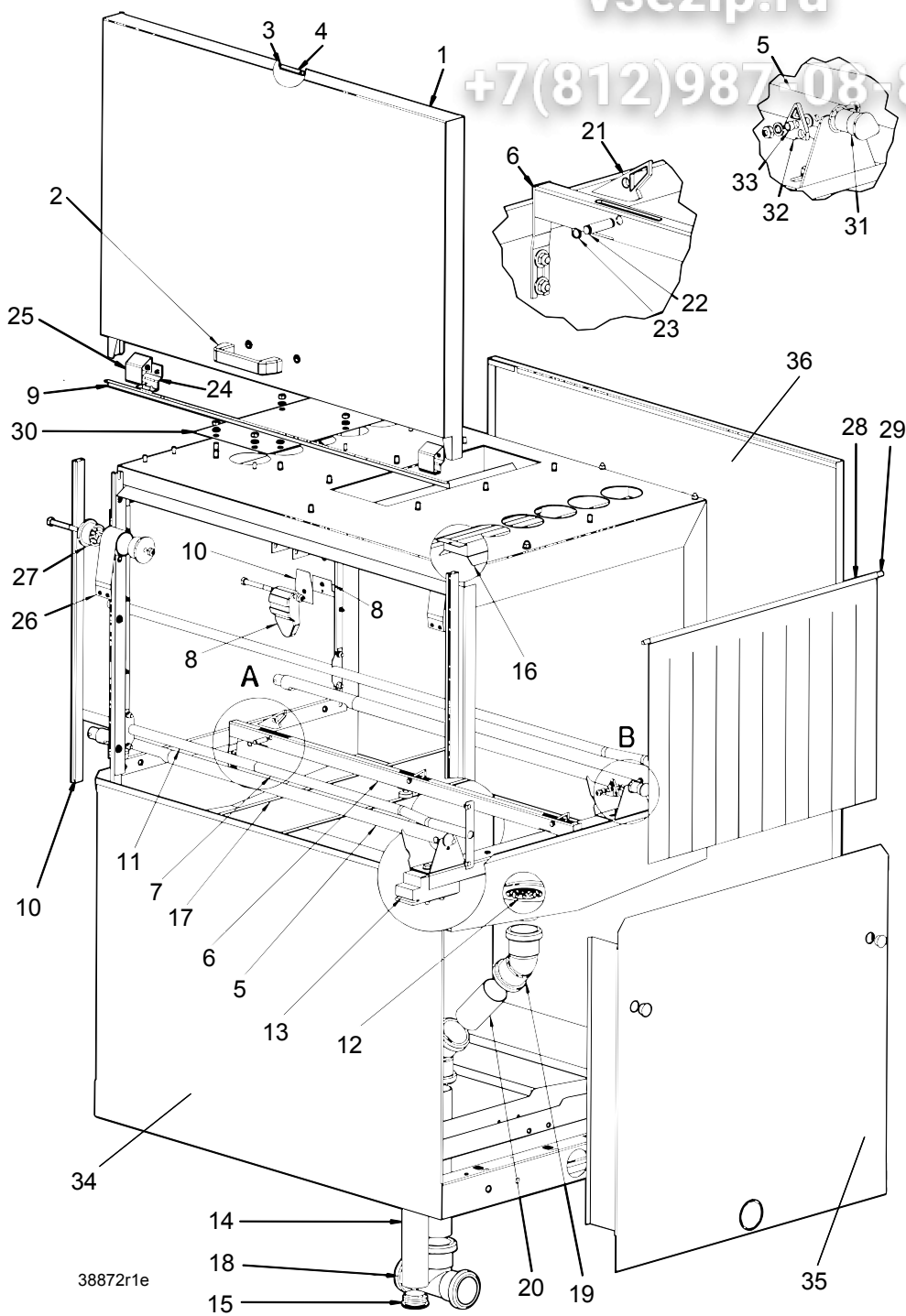
38870r1e

vsezip.ru

POS	M art.no	Type	DESCRIPTION	W art.no
Module:Drying zone Upper part Optional equipment				
1			Seperation plate	w32655,01
2	5320250		Lock with wheel , Cpl	w792,0202
	5320253		* Locking knob	w792,0205
3	5320902		Fan VR 184/2	w738,2022
4			Motor hood	w38302,75
5			Door electric cubicle	w36211,31
6			Electric cubicle T-60,90	w23447,31
7	5320228		Gas spring 200N	w713,0504
8	5320238		Nut cover	w718,1108
9	5320904		Packing Cat fan	w44782,31
10			Roof superstructure T-60,90	w23442,31
11			Element plate T-60,90	w36171,31
12			Connection plate Cat fan	w37531,75
13			Rear coverplate T-60,90	w36173,31
14	5315389		Airelement 2kW 230V	w604,2000
15			Holder isolation T-60,90	w36261,31
16			Semi-protect element T-60,90	w43540,31
17			Copper rail	w04911,32
18			Isolation	w809,0501
19			Support Cat fan	w37597,31
20			Rubber sleeve	w51458035
21			Lock nut 37mm	w51465052
22			End plug	w51466337
23	5315246		Change over switch	w60102201
24			Superstructure	w23441,31
25	5320240		Rubber moulding 9x4 brown L=1m	w719,0505

vsezip.ru

+7(812)987-08-81

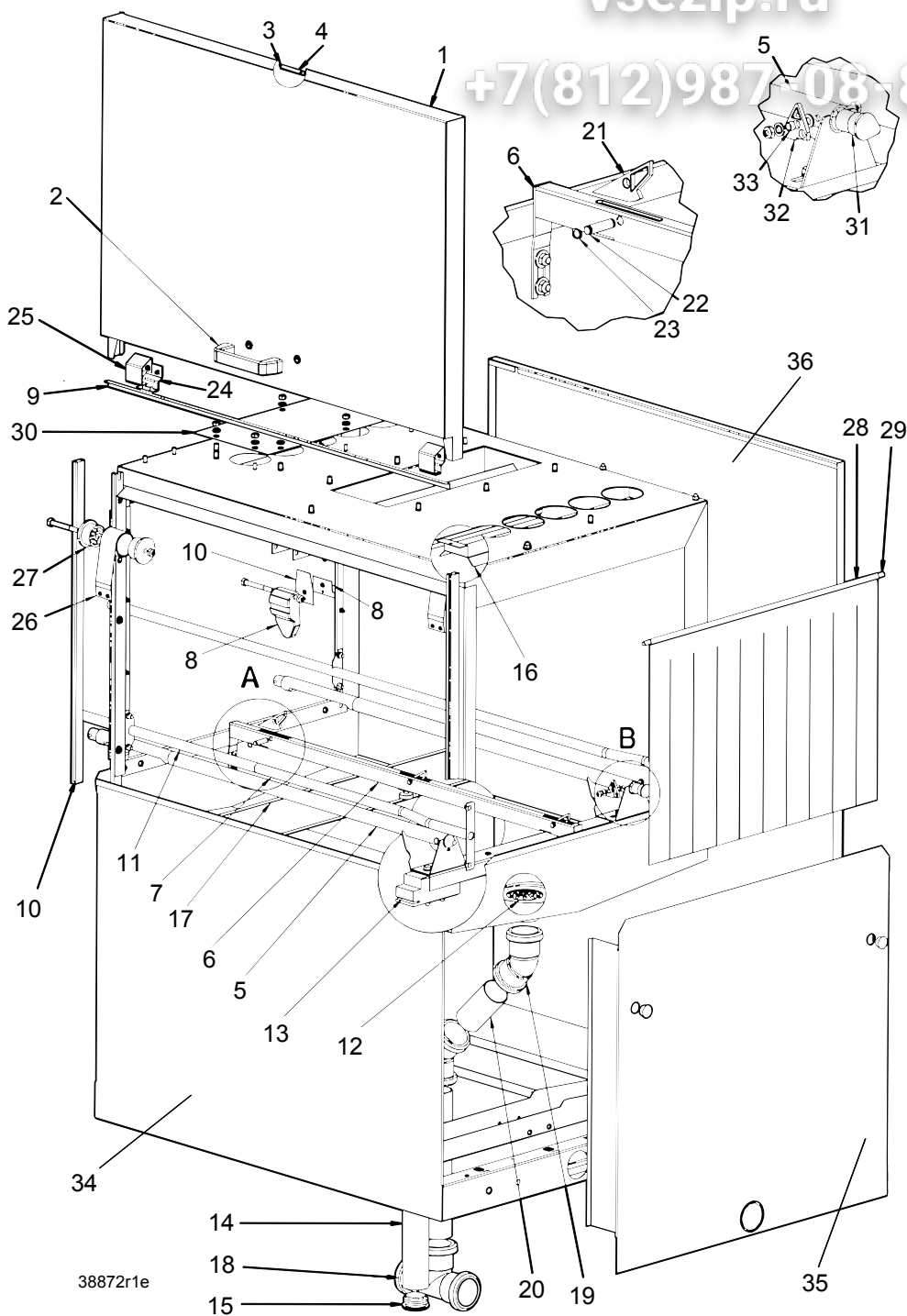


vsezip.ru

POS	M art.no	Type	DESCRIPTION	W art.no
Module:Drying zone Lower part. Optional equipment				
1	5320093		Door 900mm , Cpl	w23315,75
1	5320092		Door 600mm , Cpl	w23314,75
2	5320237		* Handle PECO P225/132 M8	w718,0842
			* Screw MCS6S M8x16 A2	w700,0230
3			* Attachment magnet	w43534,31
4	5315353		* Magnet round 6x50	w602,0551
	5320244		* Ubbber moulding L=90cm	w719,0530
	5320244		* Ubbber moulding L=60cm	w719,0530
			* Screw FRH M4x8 A2	w700,1808
5			Feeding cradle T-60	w23480,75
5			Feeding cradle T-90	w23480,76
6			Feeding bar T-60	w43499,01
6			Feeding bar T-90	w43500,01
7			Connector pipe	w36483,01
8			Door locking , Cpl	w36457,75
9			Fastening border door T-60	w43528,31
9			Fastening border door T-90	w43529,31
10			Sliding border kit , Cpl	w742,4600
11			Guide pipe T-60	w43357,79
11			Guide pipe T-90	w43357,80
12	5320732		Strainer round	w32291,01
13	5320153		Sliding block	w43286,31
14	5320143		Foot l=245	w40252,31
15	5315686		Plastic foot 48x3-4	w718,0606
16			Curtain defence T-60,90	w41252,31
17			Reflector plate T-60,90	w36296,31
18			Pipe branching 50x88 3-muff	w726,0111
19			Pvc bend 50x45 2-muff PP	w726,0110

vsezip.ru

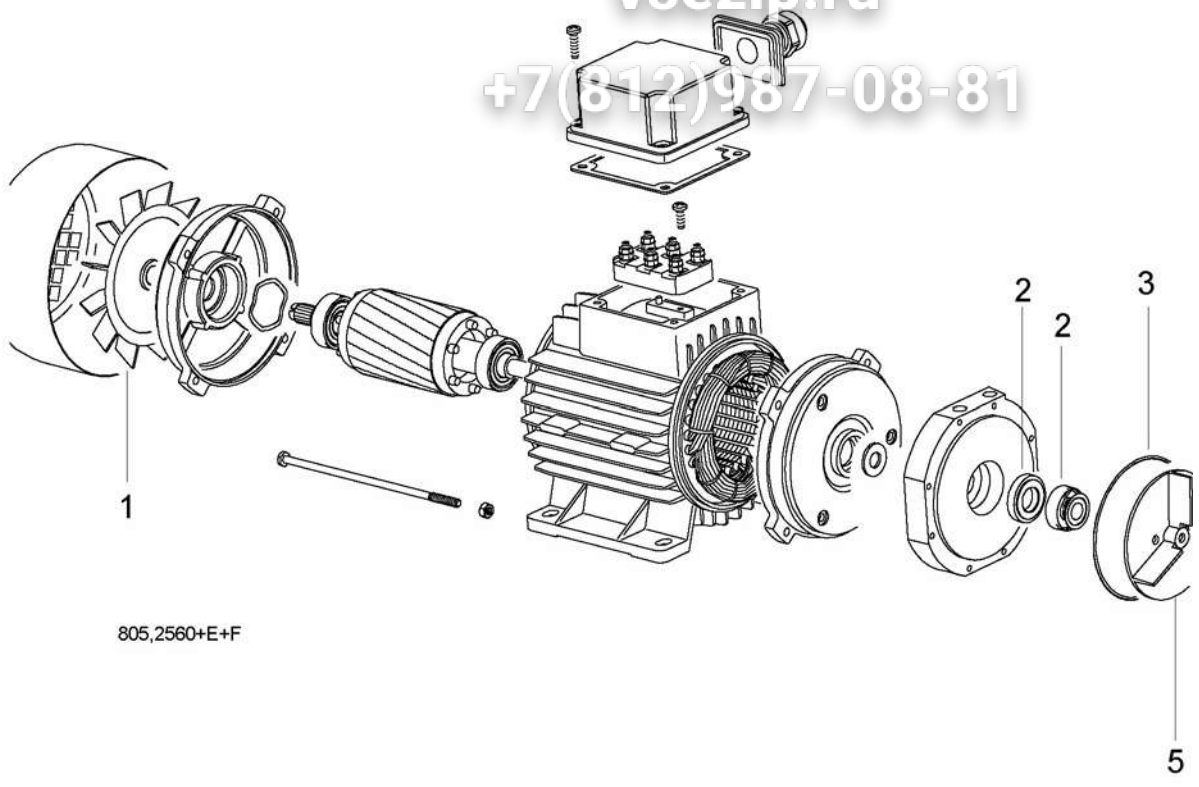
+7(812)987-08-81



vsezip.ru

POS	M art.no	Type	DESCRIPTION	W art.no
Module:Drying zone Lower part Optional equipment				
20			Pipe 50x3000 without muff PP	w726,0850
21	5320158		Ratchet	w43292,31
22	5320331		Shaft	w43413,32
23	5320195		Lock ring SGA 8 A2	w701,1336
24			Washer attachment spring T-60,90	w43531,31
25			Attachment spring door T-60,90	w43530,31
26	5315515		Spring door 47N	w713,1047
27	5320329		Spring support	w43601,31
28	5315226		Curtain	w33921,31
29	5315286		Bar for curtain	w41709,31
30			Cover plate inside roof T-60,90	w36175,31
31			End plug	w43631,31
32	5320156		Feeding clutch	w43290,31
33	5320152		Bushing	w43285,31
34			Coverplate 600mm	w36001,31
34			Coverplate 900mm	w36003,31
35			Ending fitting	w24549,31
36			Coverplate back 600mm	w24576,31
36			Coverplate back 900mm	w24608,31

vsezip.ru
+7(812)987-08-81

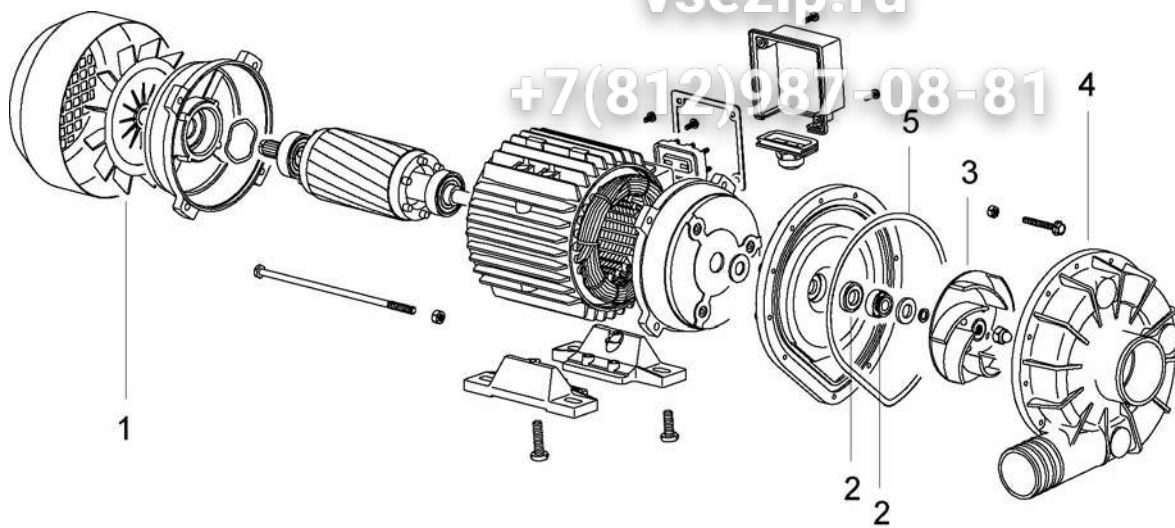


vsezip.ru

POS	M art.no	Type	DESCRIPTION	W art.no
Module: Pump 0247				
			Pump 0247 230/400V 50Hz	w805,2560
			Pump 0247 200/346V 50Hz	w805,2560E
			Pump 0247 200/346V 60Hz	w805,2560F
1			* Fan wheel	w805,2562
2			* Sealing	w805,2564
3			* Impeller 50Hz	w805,2563
4			* Pump house	w805,2561
5			* O-ring	w805,2565

vsezip.ru

+7(812)987-08-81



805,2570

vsezip.ru

POS	M art.no	Type	DESCRIPTION	W art.no
Module: Pump 1226 230/400V 50Hz				
	5320294		Pump 1226 230/400V 50Hz , Cpl	w805,2570
1			* Fan	w805,2572
2			* Sealing	w805,2574
3			* Impeller 50Hz	w805,2573
4			* Pump hous	w805,2571
5			* O-ring	w805,2555