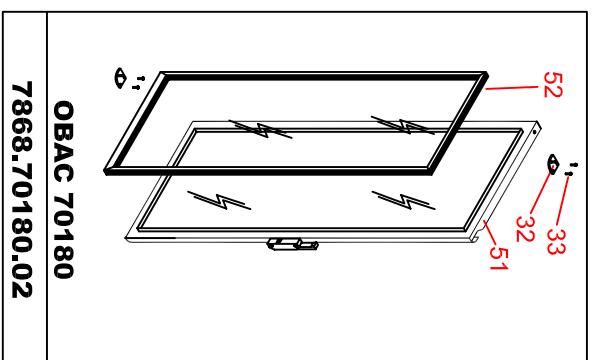
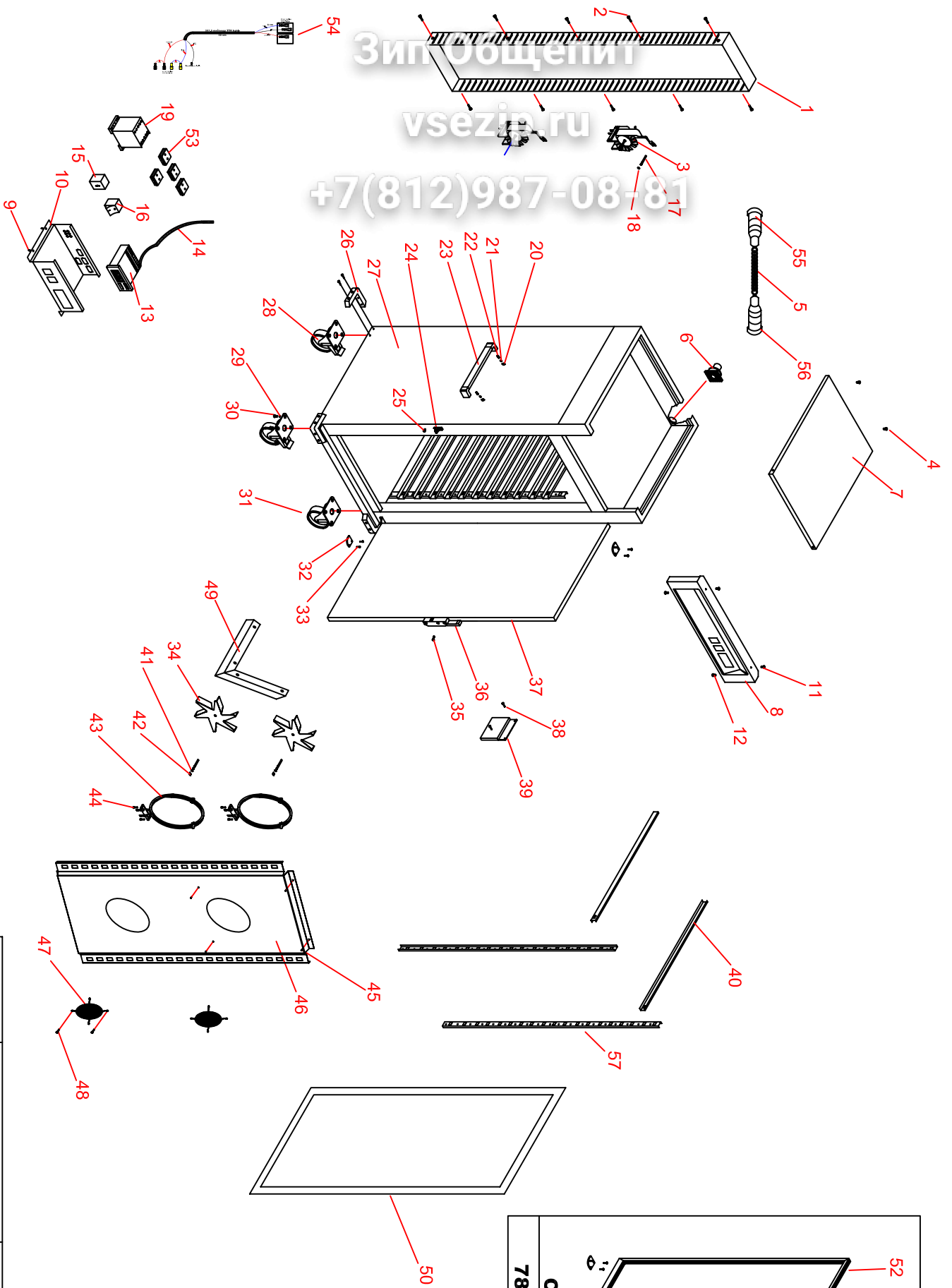


Зип Общепит

vsezia.ru

+7(812)987-08-81



01 / 27.02.2006	Genel revizyon yapıldı.
Rev./Tarih	Açıklamalar
Çizen/Drawn by	İsım/Name
E. DİRİCE	İmza/Sign.
15.04.2005	Tarih/Date
Kontrol/Checked by	Y. AKIN /İMDEDE
15.04.2005	
Onay/Approval	Y. ŞİTLİÇİ
15.04.2005	
Ölçek/Scale	
OBAC 70180	
OBAC 70180	
ODIC	FRANCE
SOGUTMA METAL SAN. TIC. AS	
aysberg	
Kod / Code : 7868.70180.01	
Resim No: 395.000.00	

OBA 70180 / OBAC 70180 ODIC

HEATED BANQUET TROLLEY

NO	SPARE PART CODE	SPARE PART NAME	QUANTITY	
*	1	7AYS.00008.08	ENGINE BACK PROTECTION METAL SHEET	1
	2	7AYS.00002.93	BOLT (M4*16)	1
	3	7AYS.00008.09	VENTILATOR ENGINE	1
	4	7AYS.00002.93	BOLT (M4*16)	1
	5		ELECTRICAL PLUG CABLE (SPIREX 400P 3*1,5)	1
	6		PANEL MOUNTED APPLIANCE INLET (3*16A TYPE:28)	1
*	7	7AYS.00002.99	TOP CEILING METAL SHEET	1
*	8		ELECTRICAL CONTROL PANEL (OBA-OBAC 70180)	1
	9		INOX SCREW (3,9*13)	1
*	10		ELECTRICAL PANEL SHEET	1
	11	7AYS.00002.93	BOLT (M4*16)	1
	12	7AYS.00001.05	INOX SCREW (3,9*16)	1
	13	7AYS.00007.00	DIGITAL THERMOMETER THERMOSTAT	1
	14		PTC PROBE	1
	15		SIGNAL LAMP	1
	16	7AYS.00001.36	ON - OFF SWITCH	1
	17		WASHER (M4)	1
	18		BOLT (M4*16)	1
	19	7AYS.00001.17	CONTACTOR (TELEMECANIQUE LC1K1601M7)	1
	20	7AYS.00002.53	CLOSED NUT (M8)	1
	21	7AYS.00002.54	WASHER (M8)	1
	22	7AYS.00002.55	BOLT (M8*50)	1
*	23	7AYS.00002.56	PUSH BRANCH	1
	24	7AYS.00001.06	LOCK RETURN	1
	25	7AYS.00002.18	BOLT (M5*10)	1
	26	7AYS.00002.64	CORNER PROTECTION	1
	27	7AYS.00002.65	CORNER PROTECTION BOLT	1
	28		BRAKE WHEEL (INOX) (Ø125)	1
	29	7AYS.00002.22	WHEEL BOLT RONDELA	1
	30	7AYS.00002.67	WHEEL BOLT (M8*20)	1
	31		WHEEL (INOX) (Ø125)	1
	32	7AYS.00001.08	BOTTOM HINGE	1
	33	7AYS.00002.93	BOLT (M4*16)	1
	34		VENTILATOR MOTH	1
	35	7AYS.00008.01	BOLT (M5*50)	1
	36	7AYS.00008.04	DOOR HANDLE	1
*	37	7AYS.00008.16	DOOR (OBA 70180/14218)	1
	38	7AYS.00002.18	BOLT (M5*10)	1
*	39	7AYS.00001.26	WATER EVAPORATE CONTAINER	1
*	40		SHELF PIECE	1
	41	7AYS.00001.89	VENTILATOR PIECE (M6)	1
	42	7AYS.00008.17	VENTILATOR SPECIAL NUT (Ø6)	1
	43	7AYS.00008.18	RESISTANCE (W1500)	1
	44	7AYS.00002.93	BOLT (M4*16)	1
	45	7AYS.00002.93	BOLT (M4*16)	1
*	46	7AYS.00008.19	VENTILATOR METAL SHEET	1
	47	7AYS.00001.55	VENTILATOR PROTECTION PIECE	1
	48	7AYS.00008.20	INOX SCREW (3,9*6,5)	1
*	49		METAL SHEET PIECE	1
	50	7AYS.00008.21	MAGNETIC JOINT (1387*615)	1
*	51	7AYS.00008.22	GLASS DOOR (OBAC 70180)	1
	52		MAGNETIC JOINT (OBAC 70180 - 1387*615)	1
	53		SOCKET (1040-2040)	1
	54		CABLE GROUP (OBA 70180)	1
	55		PLUG AM-TOP (3*16A TYPE:278)	1
*	56		CONNECTOR AM-TOP (3*16 A TYPE:540)	1
	57		SHELF PIECE	1