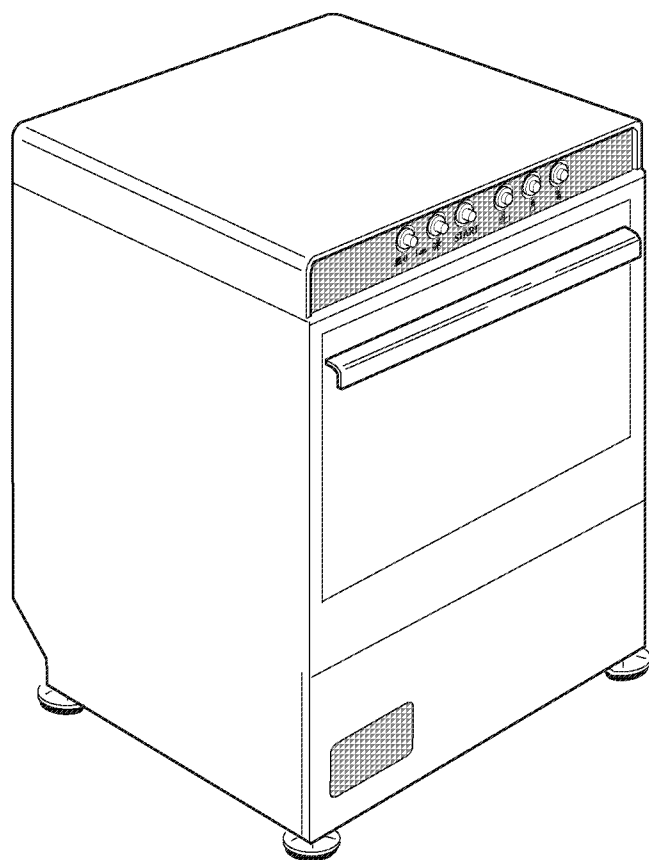


**CATALOGO RICAMBI**  
**SPARE PARTS**  
**PIECES DETACHEES**  
**ERSATZTEILE**  
**LISTA DE RECAMBIOS**

Зип Общепит

vsezip.ru

+7(812)987-08-81



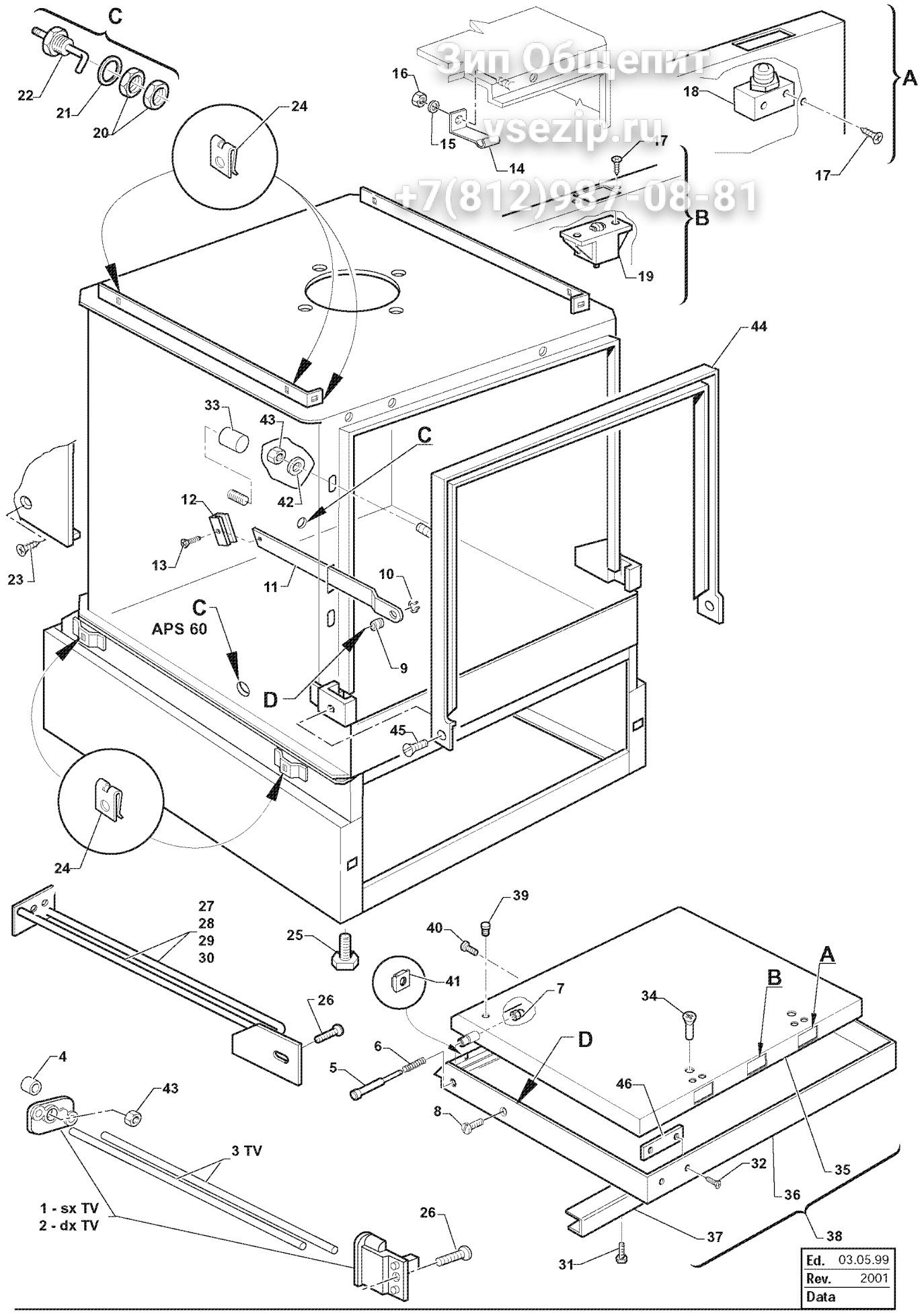
**Lavastoviglie**  
**Lavevaisselle**  
**Geschirrspüler**  
**Dishwashers**  
**Lavavajillas**

**APS - FW**

Ed. 03.05.99  
Rev. 2001

Зип Общепит  
ysezip.ru

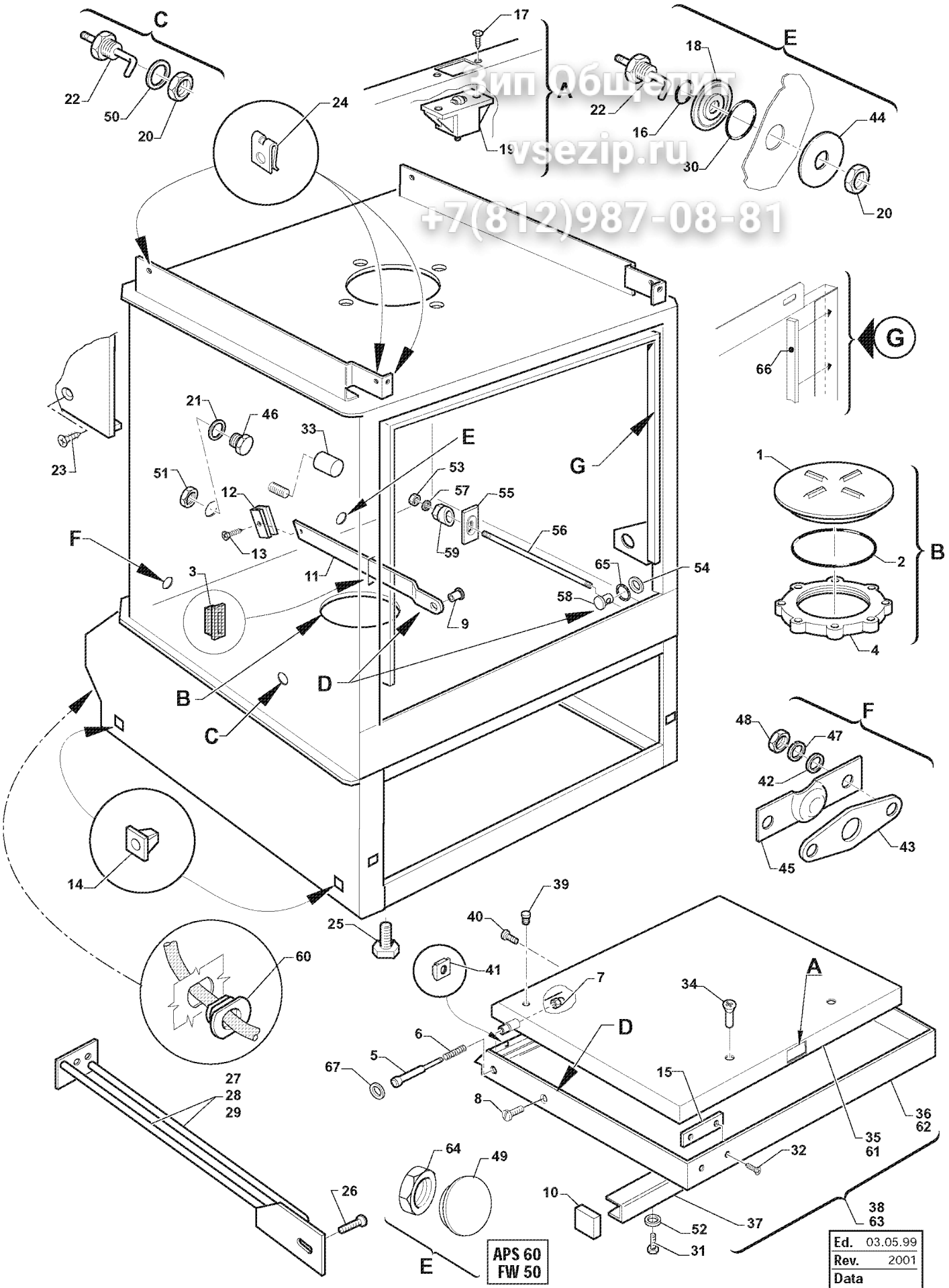
+7(812)987-08-81



|      |          |
|------|----------|
| Ed.  | 03.05.99 |
| Rev. | 2001     |
| Data |          |

Вип Общежит  
vsezip.ru

+7(812)987-08-81



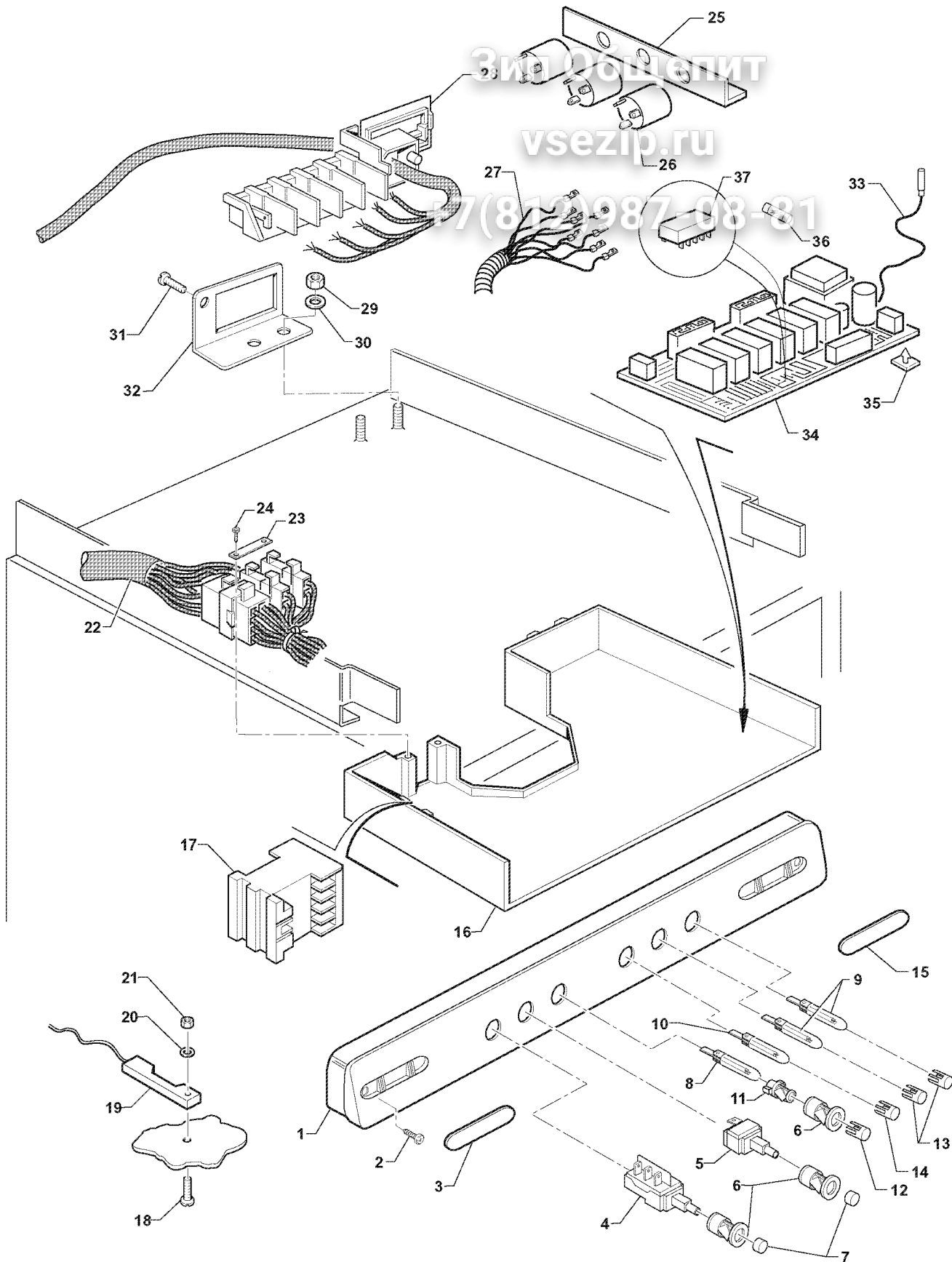
APS 60  
FW 50

|      |          |
|------|----------|
| Ed.  | 03.05.99 |
| Rev. | 2001     |
| Data |          |

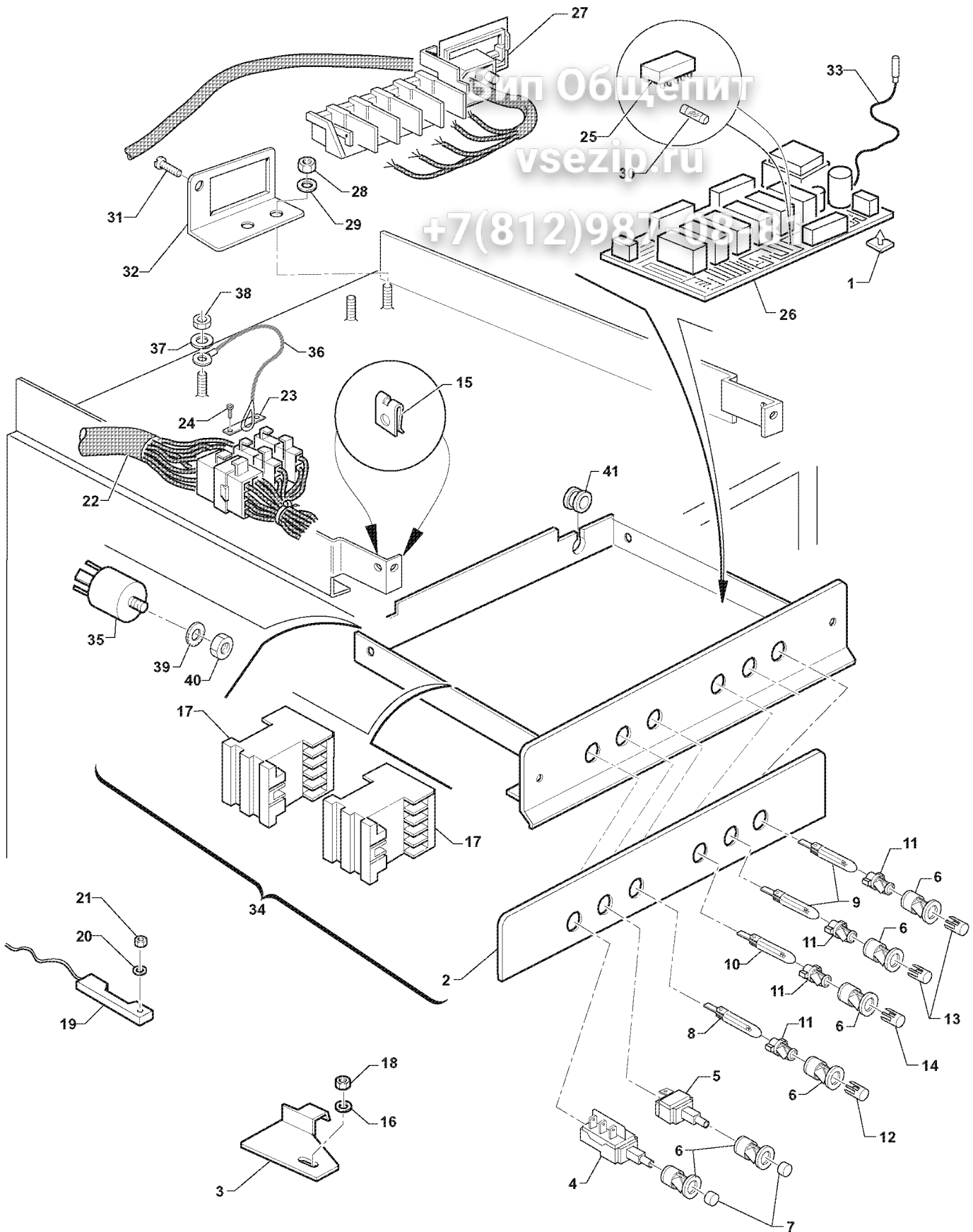
3112000001

vsezip.ru

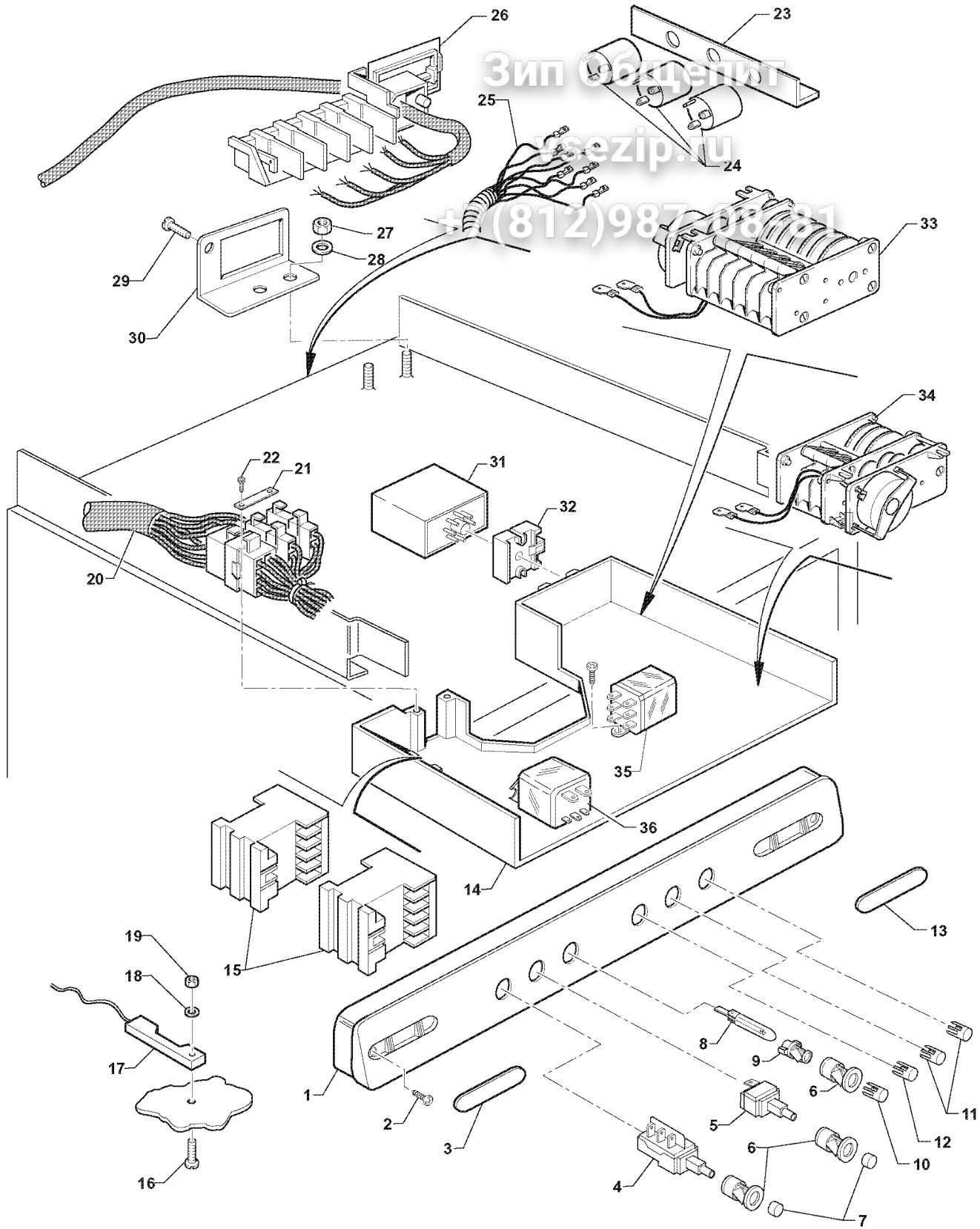
87(812)9987-98-81



|      |          |
|------|----------|
| Ed.  | 13.06.00 |
| Rev. | 2001     |
| Data |          |



|      |          |
|------|----------|
| Ed.  | 13.06.00 |
| Rev. | 2001     |
| Data |          |

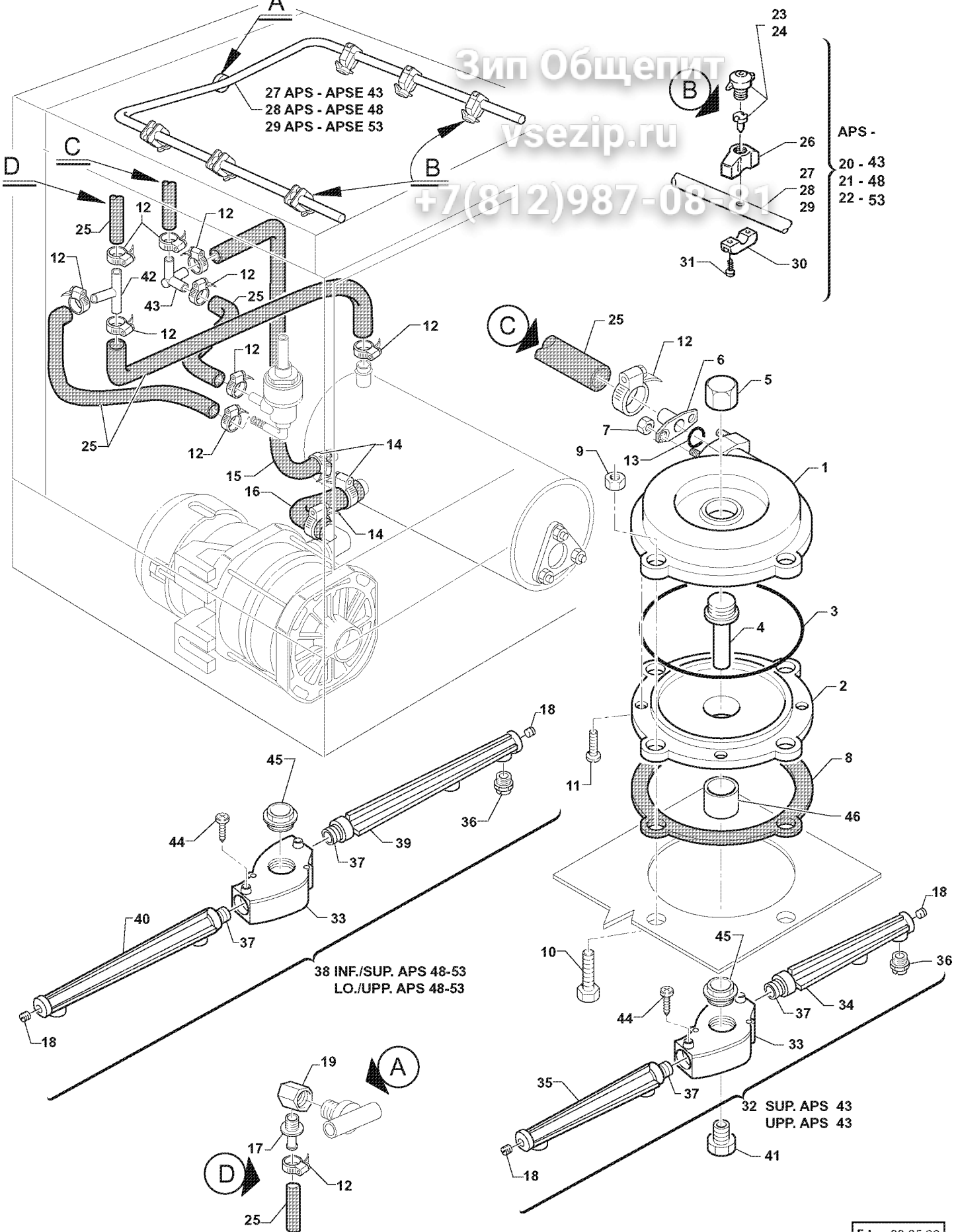


|      |          |
|------|----------|
| Ed.  | 13.06.00 |
| Rev. | 2001     |
| Data |          |

Зип Общежит

vsezip.ru

+7(812)987-08-81



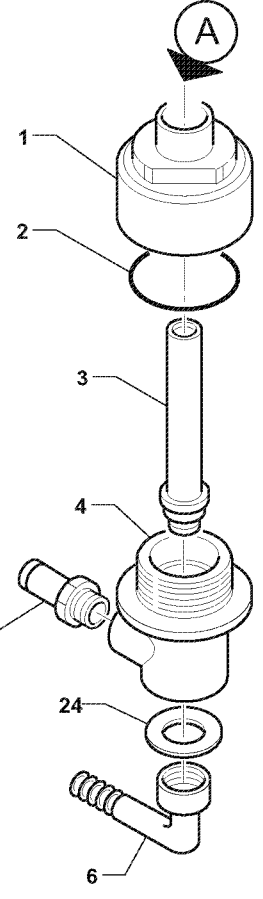
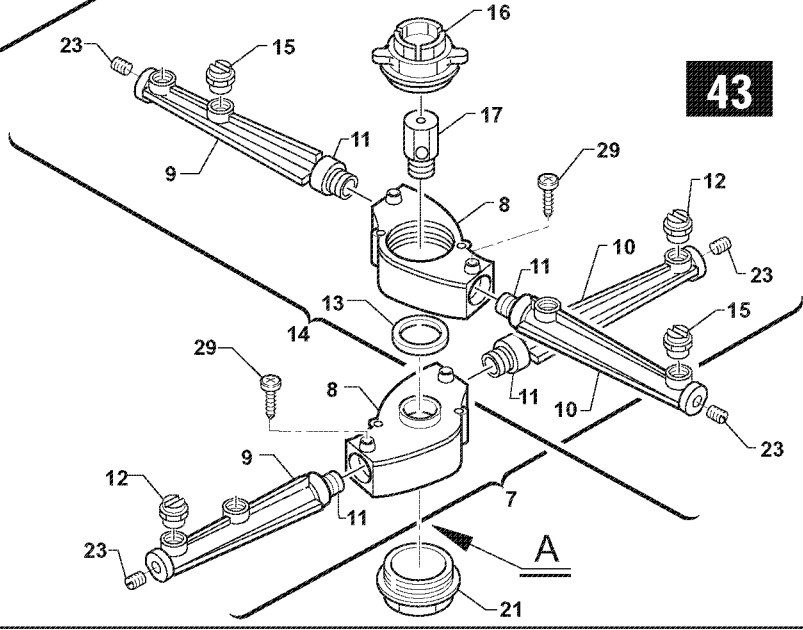
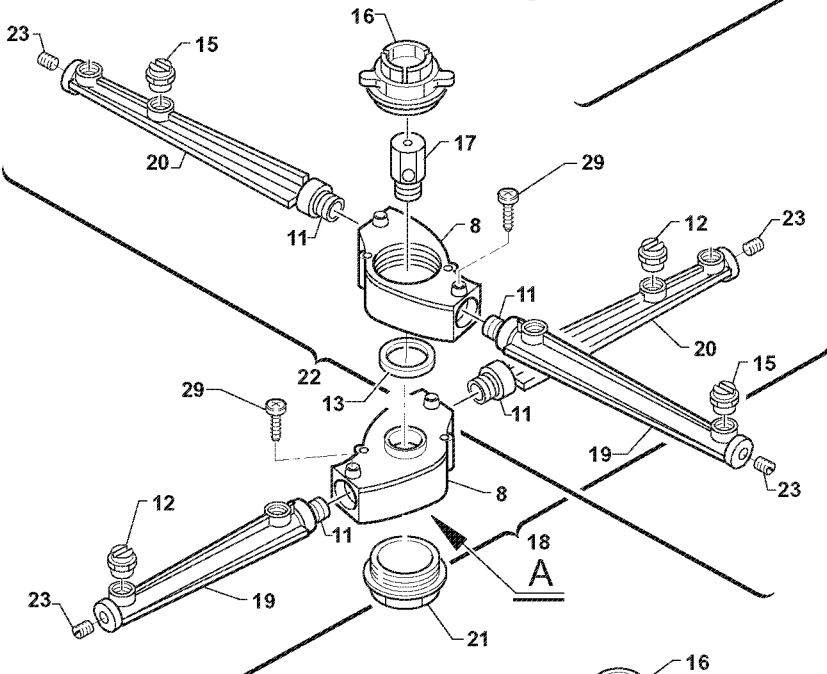
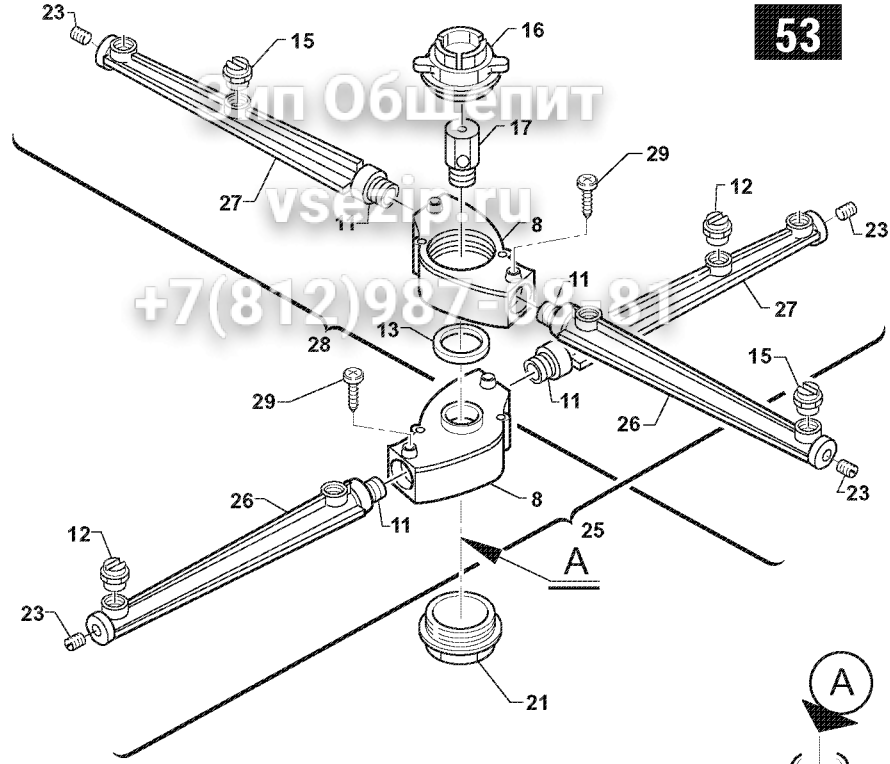
27 APS - APSE 43  
28 APS - APSE 48  
29 APS - APSE 53

APS -  
20 - 43  
21 - 48  
22 - 53

38 INF./SUP. APS 48-53  
LO./UPP. APS 48-53

32 SUP. APS 43  
UPP. APS 43

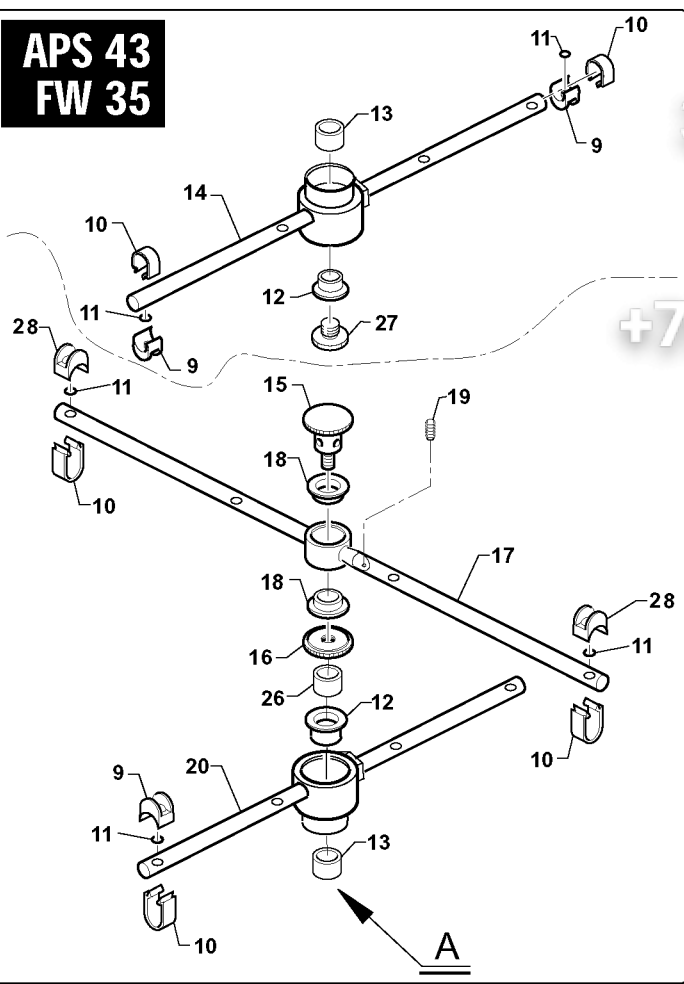
|      |          |
|------|----------|
| Ed.  | 03.05.99 |
| Rev. | 2001     |
| Data |          |



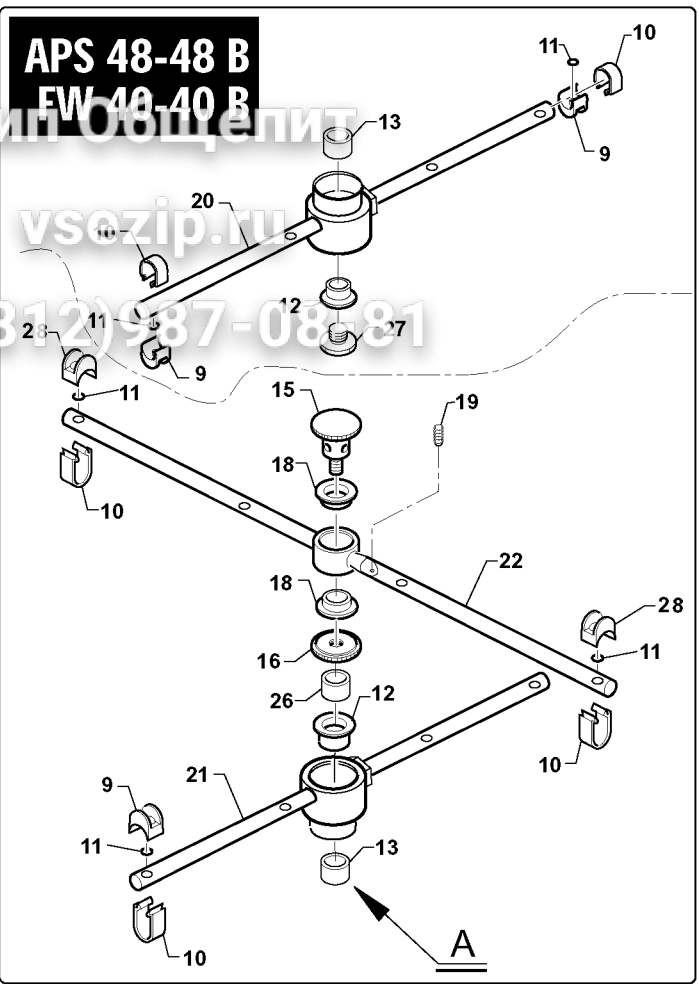
|      |          |
|------|----------|
| Ed.  | 03.05.99 |
| Rev. | 2001     |
| Data |          |



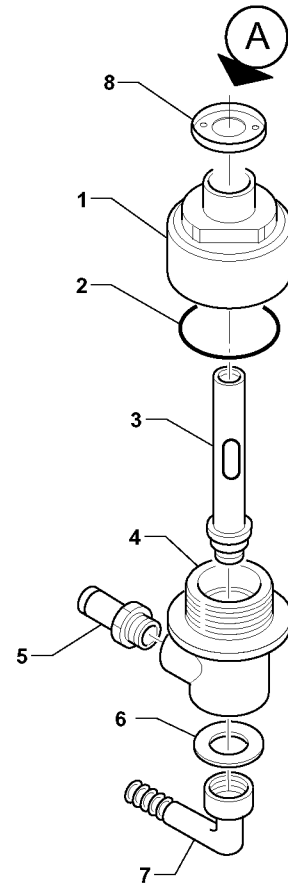
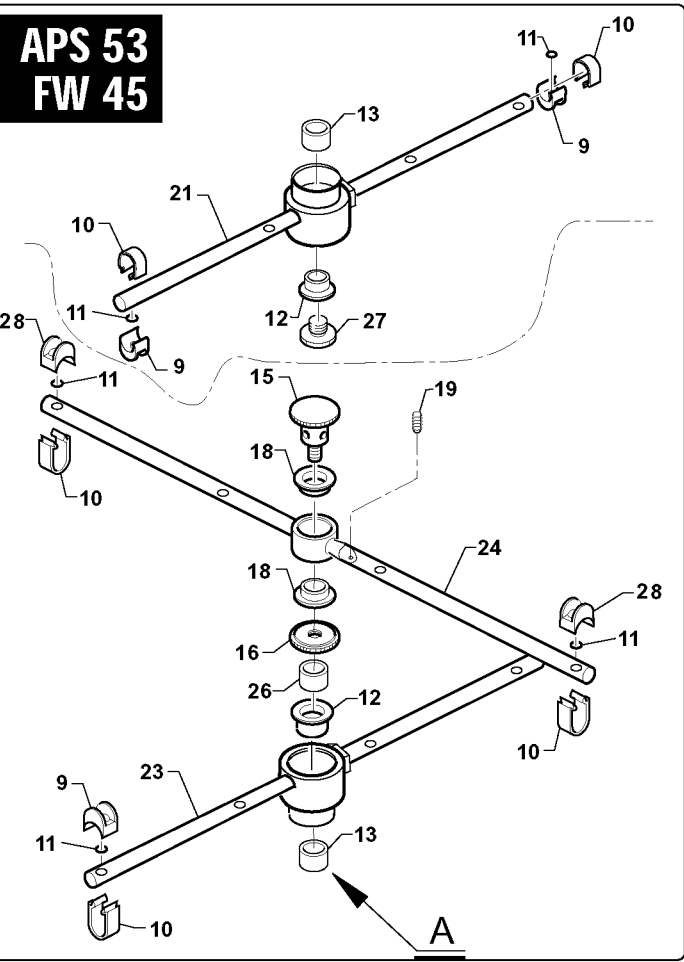
**APS 43  
FW 35**



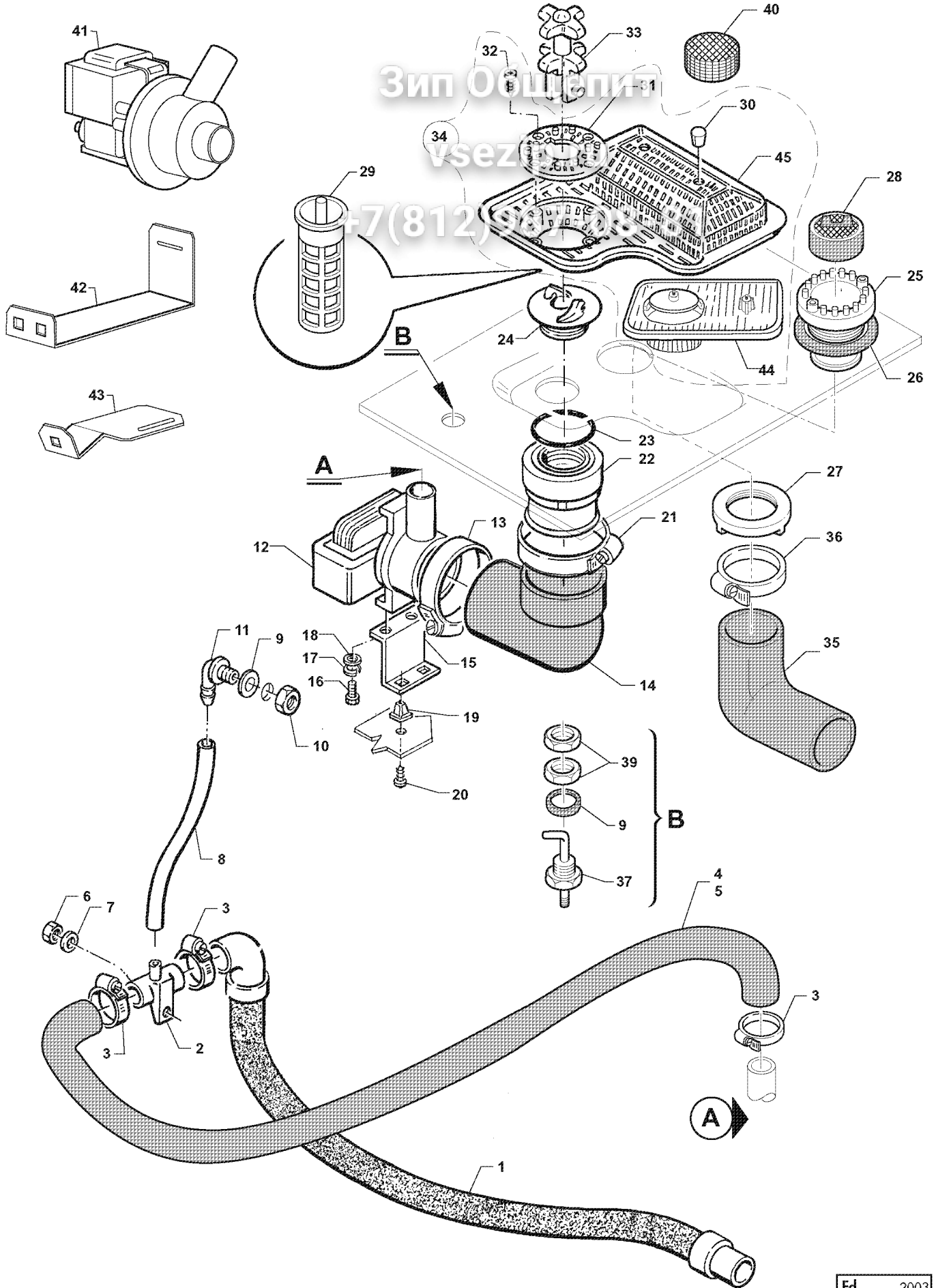
**APS 48-48 B  
FW 40-40 B**



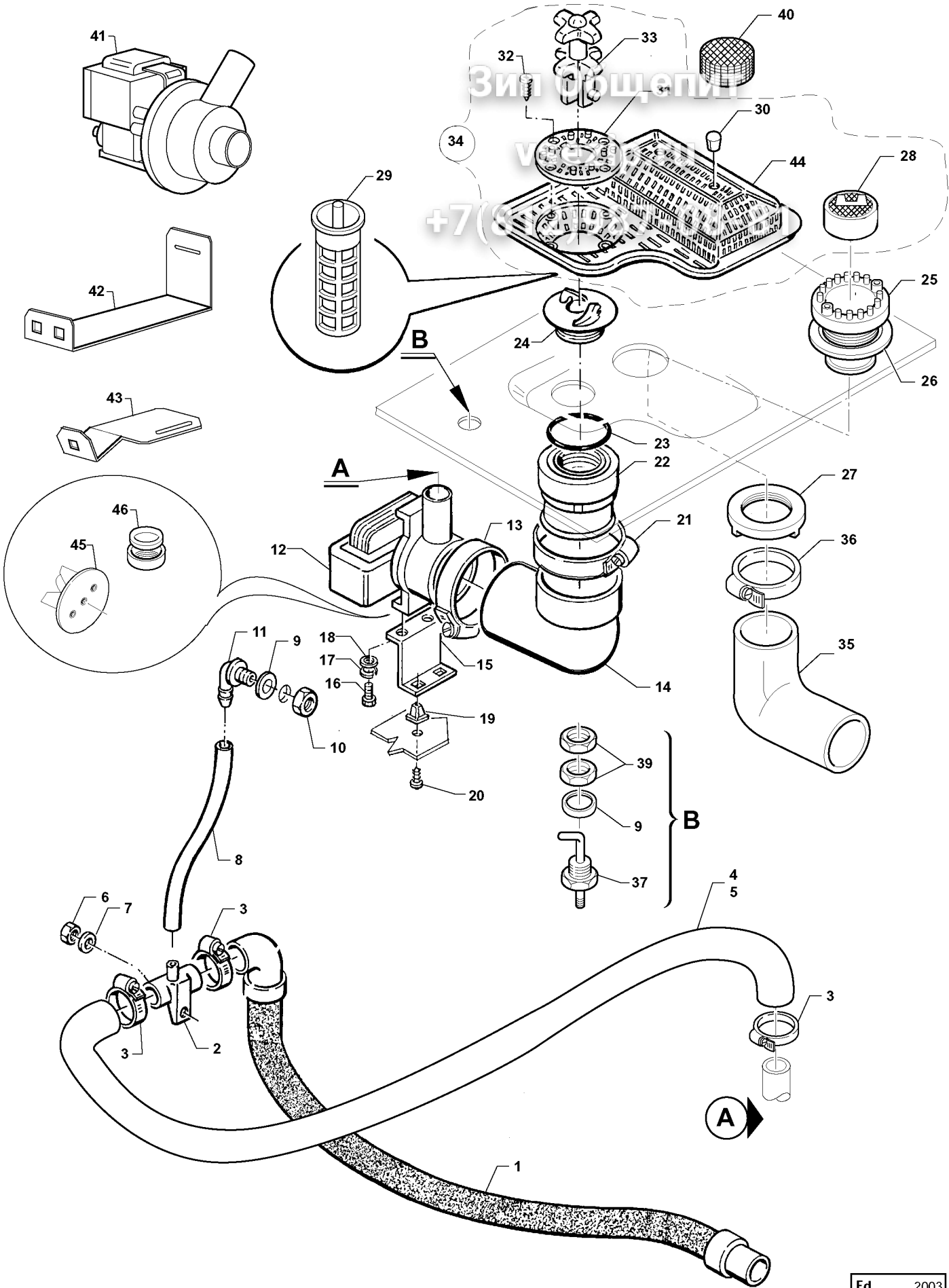
**APS 53  
FW 45**



|      |         |
|------|---------|
| Ed.  | 01/2004 |
| Rev. |         |
| Data |         |

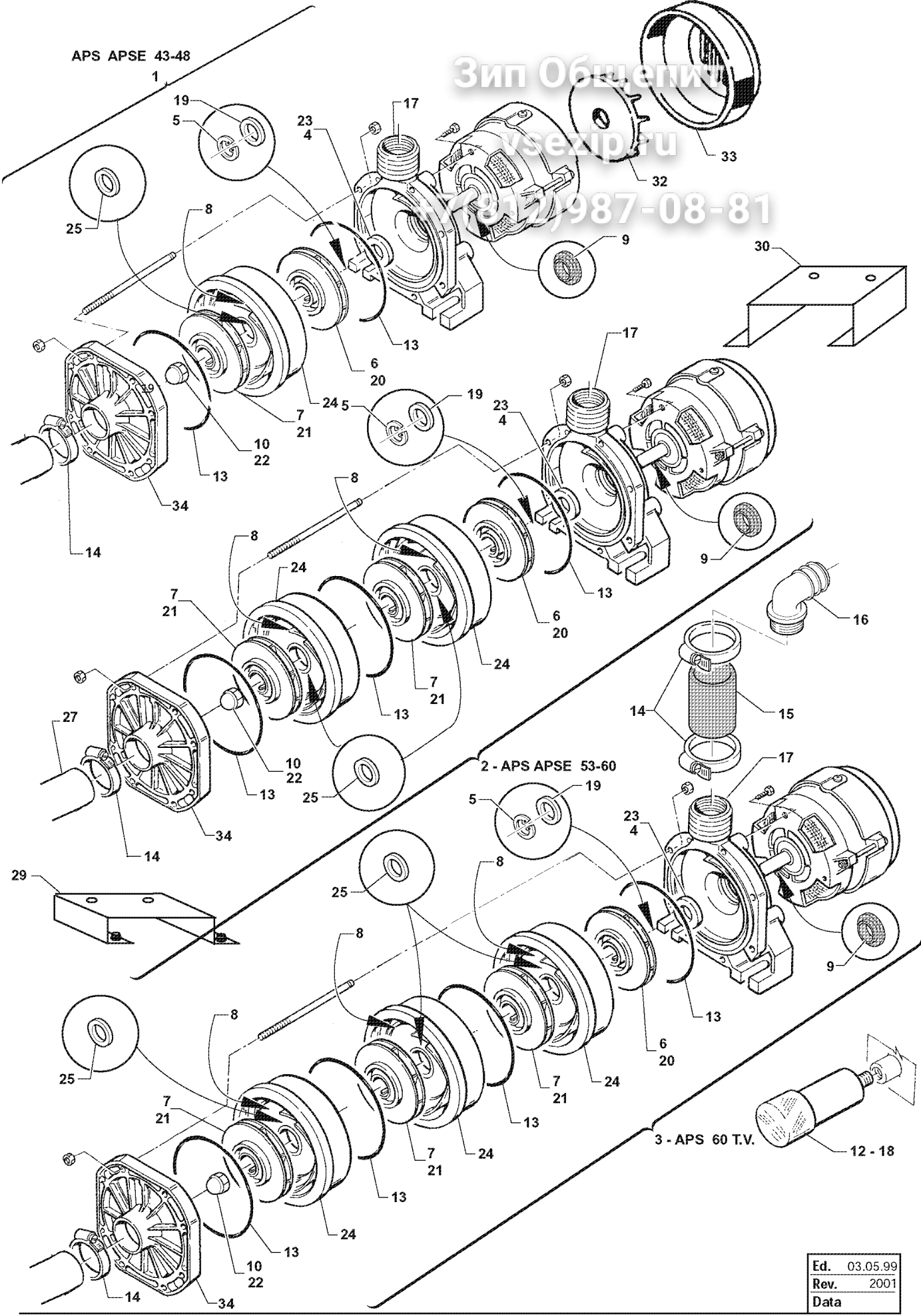


|      |      |
|------|------|
| Ed.  | 2003 |
| Rev. |      |
| Data |      |



|      |      |
|------|------|
| Ed.  | 2003 |
| Rev. |      |
| Data |      |

APS APSE 43-48



Зип Общепит  
vsezip.ru  
915)987-08-81

2 - APS APSE 53-60

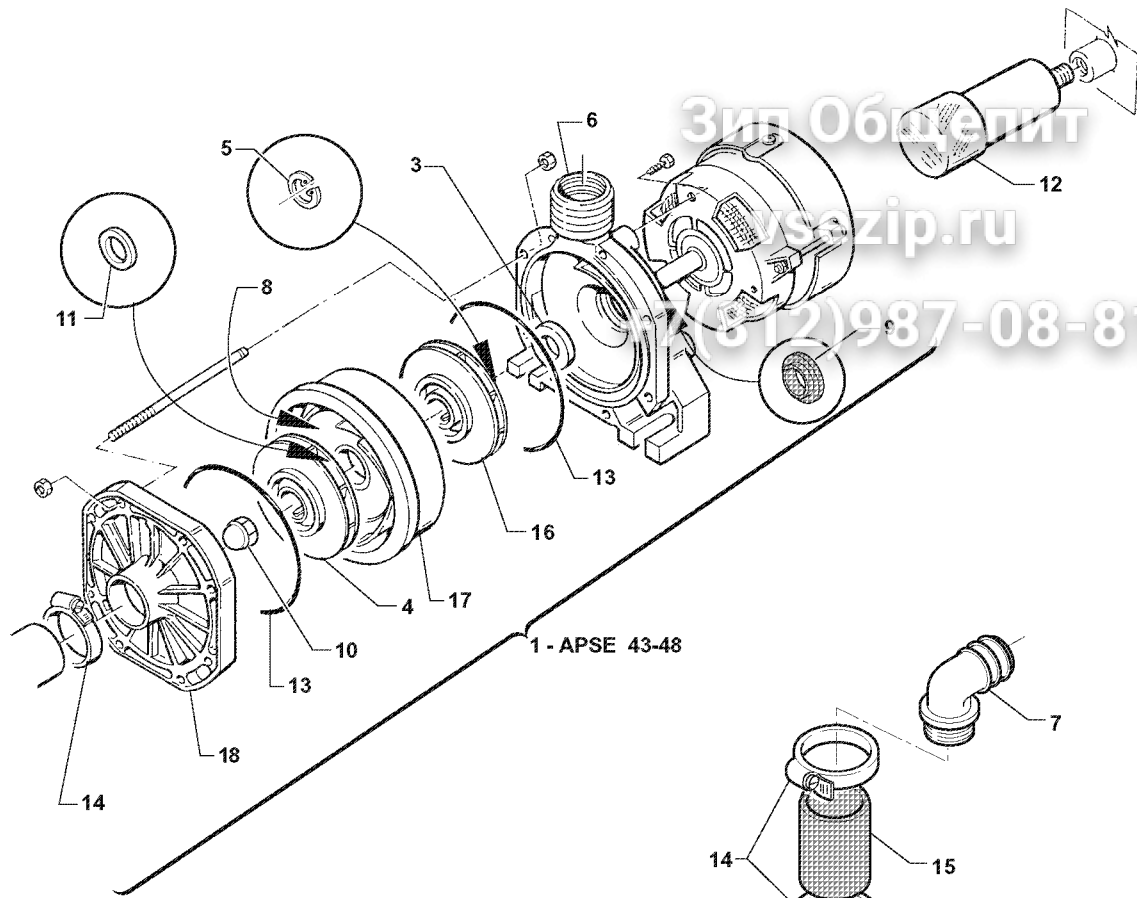
3 - APS 60 T.V.

|      |          |
|------|----------|
| Ed.  | 03.05.99 |
| Rev. | 2001     |
| Data |          |

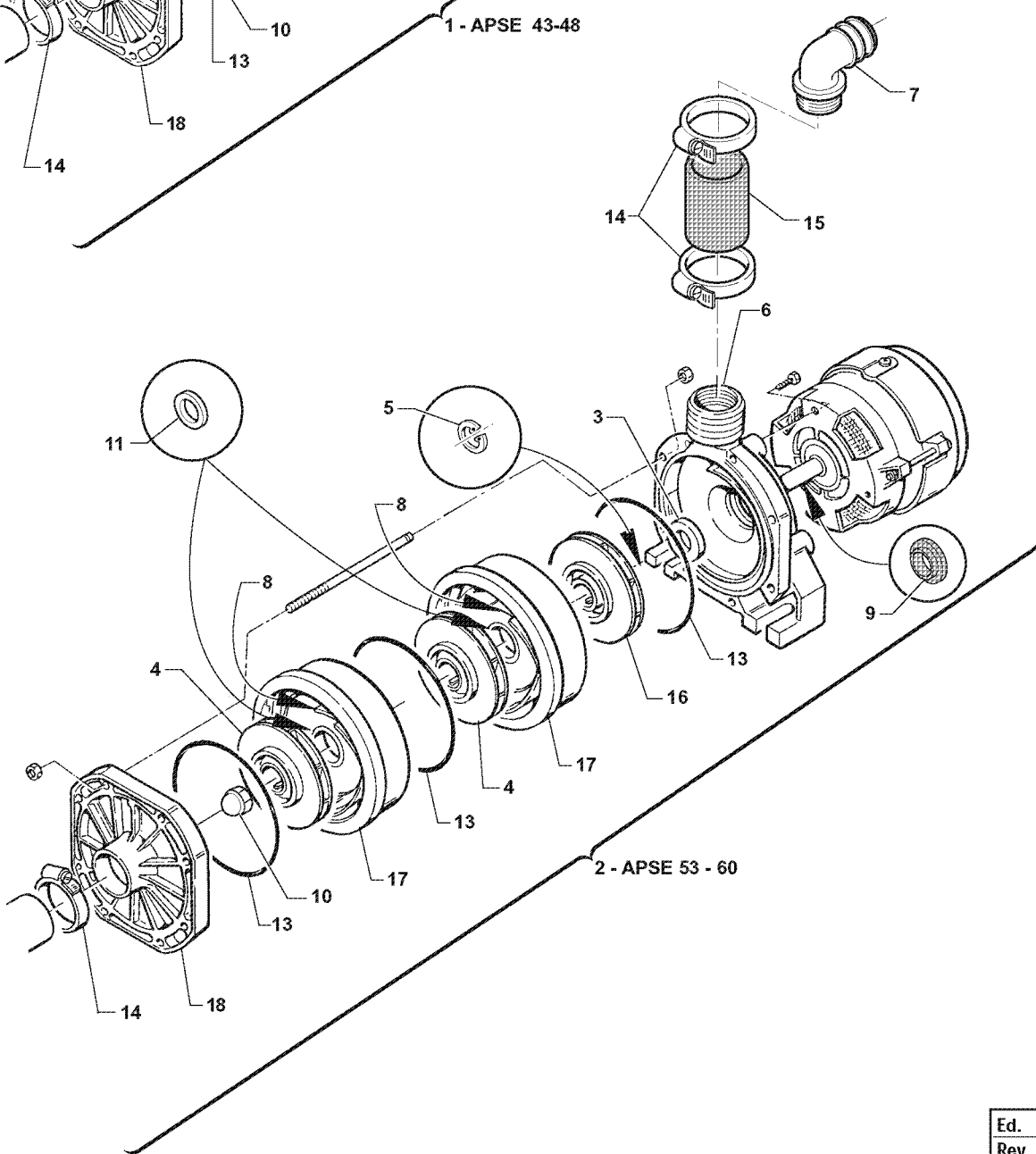
Зип Общепит

vsazip.ru

(812) 987-08-81



1 - APSE 43-48



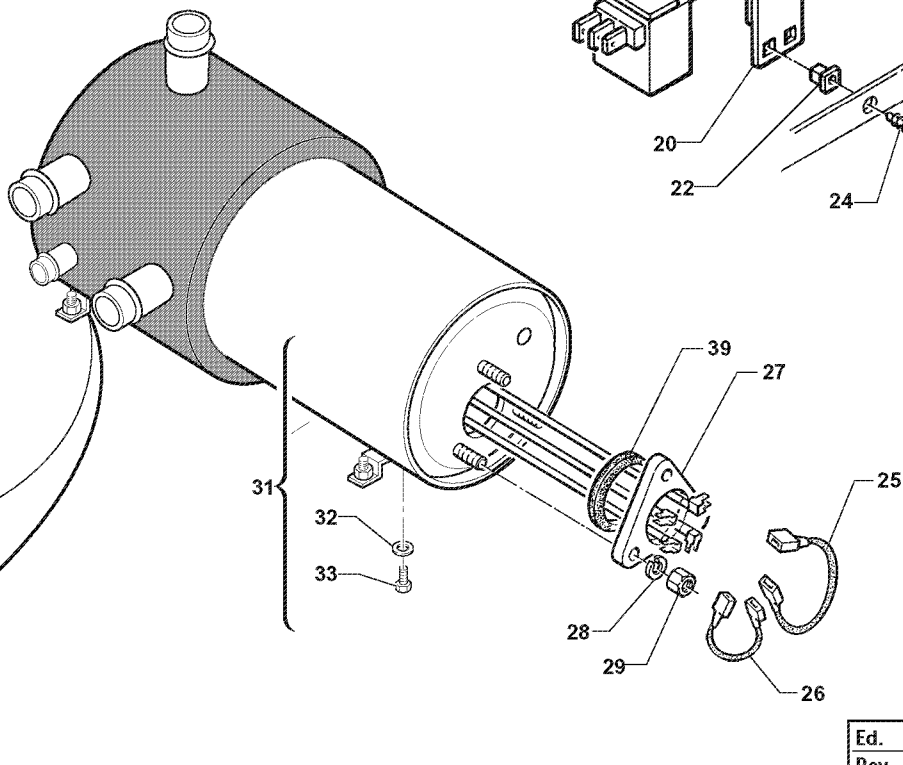
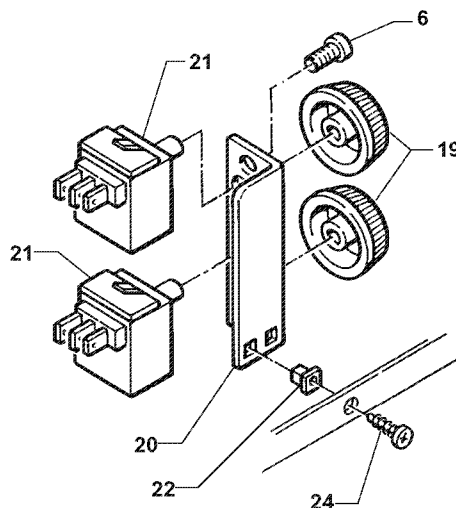
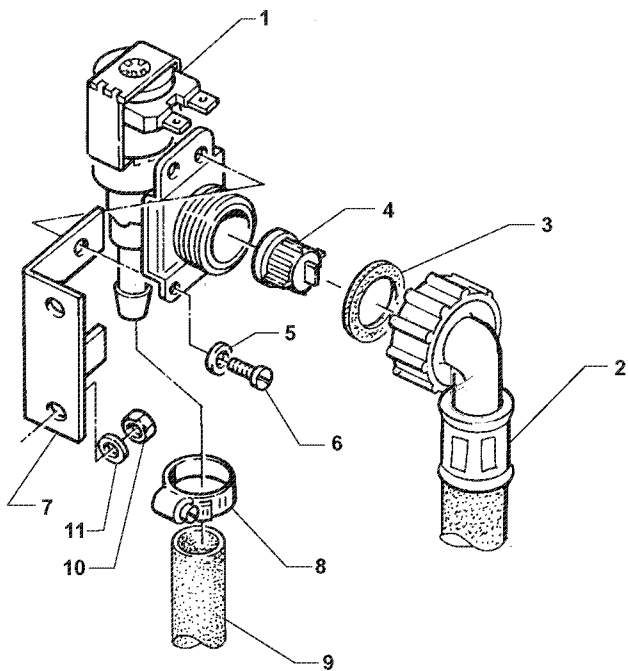
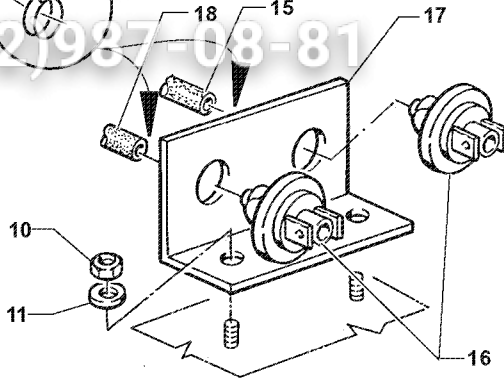
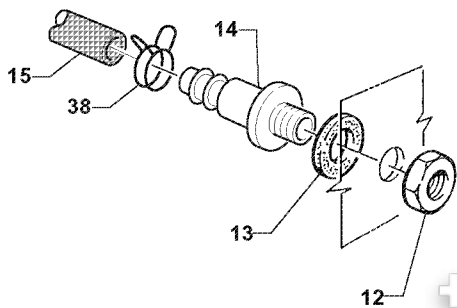
2 - APSE 53 - 60

|      |          |
|------|----------|
| Ed.  | 03.05.99 |
| Rev. | 2001     |
| Data |          |

Зип Общепит

vsezip.ru

+7(812)987-08-81

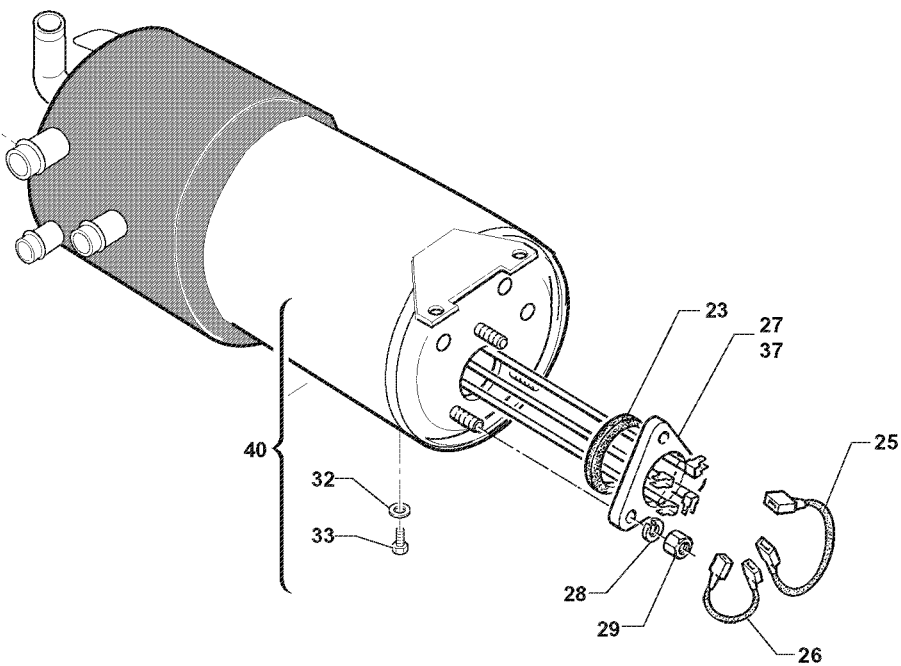
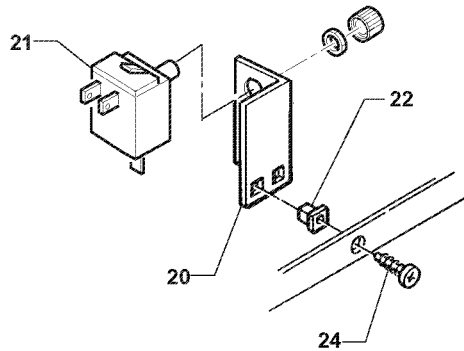
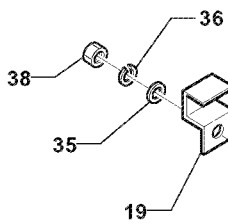
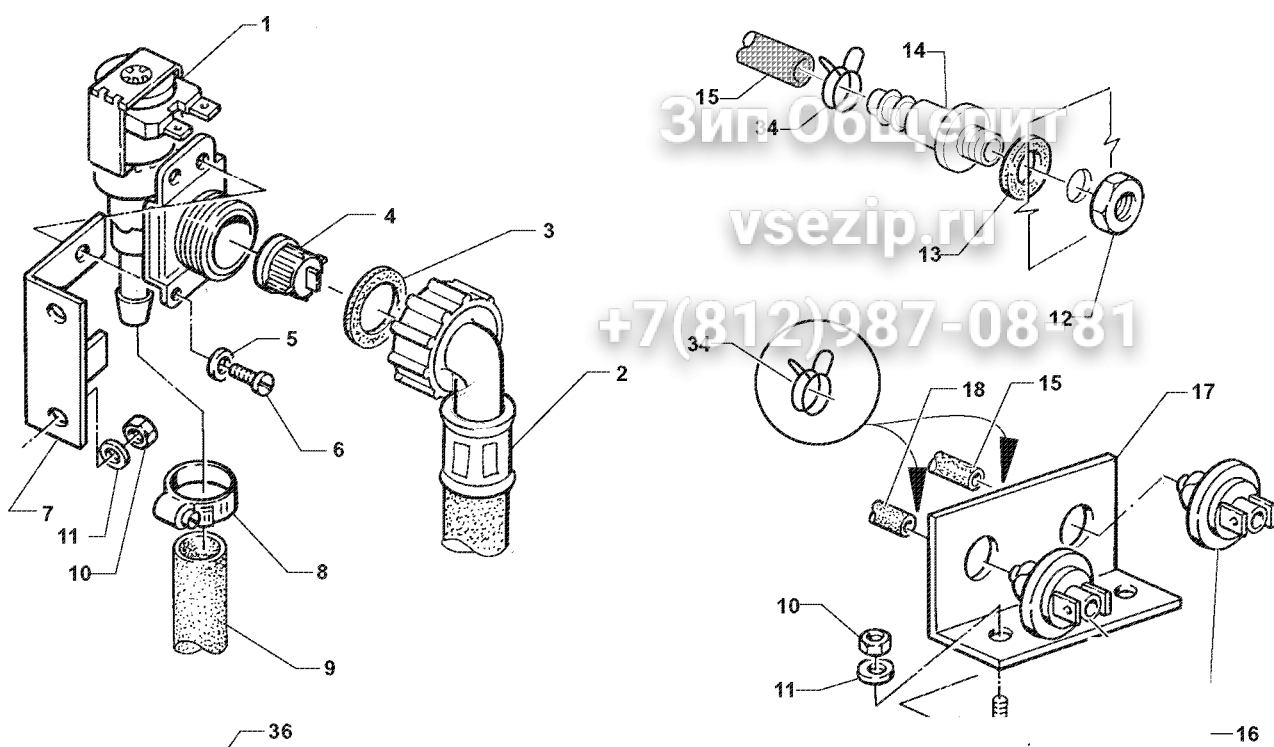


|      |          |
|------|----------|
| Ed.  | 03.05.99 |
| Rev. | 2001     |
| Data |          |

Зип-Общедит

vsezip.ru

+7(812)987-0881

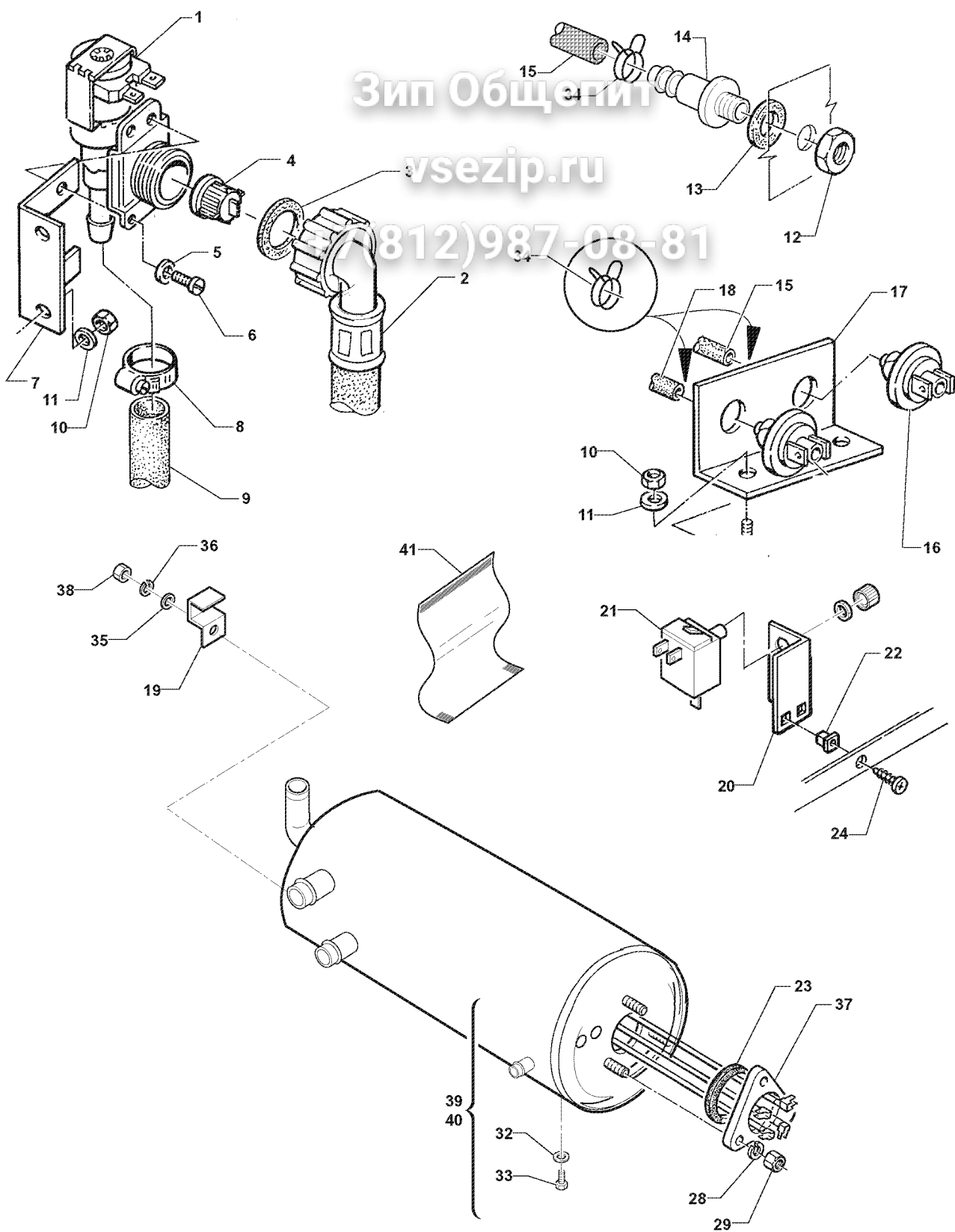


|      |          |
|------|----------|
| Ed.  | 14.06.00 |
| Rev. | 2001     |
| Data |          |

Зип Общелит

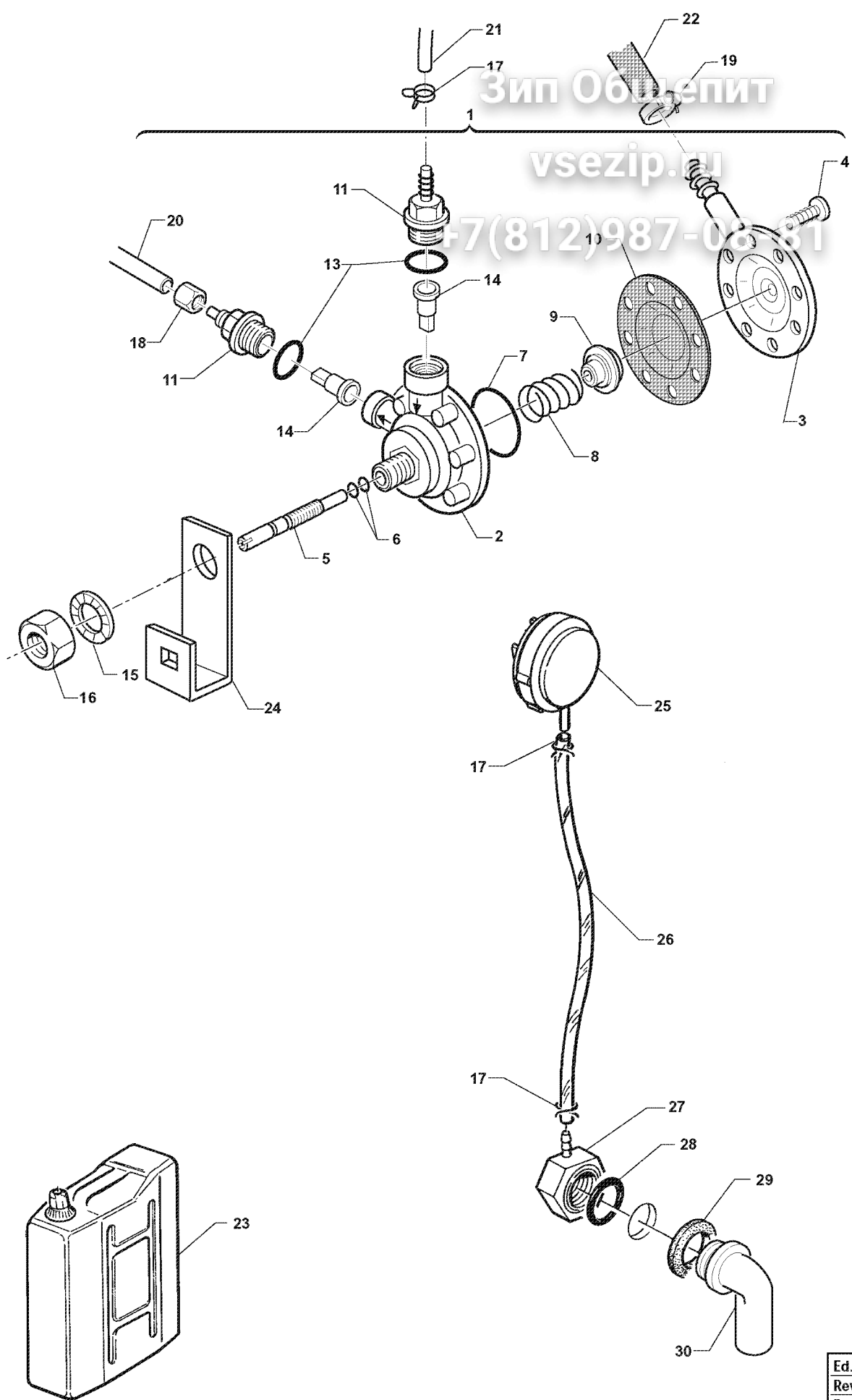
vsezip.ru

(812)987-08-81



|      |      |
|------|------|
| Ed.  | 2003 |
| Rev. |      |
| Data |      |





|      |          |
|------|----------|
| Ed.  | 03.05.99 |
| Rev. | 2001     |
| Data |          |

| Seite | Pos | Kreditor Artikel Nr. | IT                             | GB  |
|-------|-----|----------------------|--------------------------------|---|
| 002   | 001 | 21912                | KIT SUPPORTO GUIDA CEST.SX     | KIT BASKET GUIDE RACK L.                    |
| 002   | 002 | 21913                | KIT SUPPORTO GUIDA CEST.DX     | KIT BASKET GUIDE RACK R.                    |
| 002   | 003 | 15852                | GUIDA CESTELLO IN TONDO STS 53 | ROUND BASKET GUIDE STS 53                   |
| 002   | 003 | 17968                | GUIDA CESTELLO IN TONDO STS 53 | ROUND BASKET GUIDE STS 53                   |
| 002   | 004 | 17863                | DISTANZIALE GUIDA              | SPACER GUIDE                                |
| 002   | 005 | 16378                | PERNO X PORTELLO MOBILE STS    | PIN X MOB. DOOR STS                         |
| 002   | 006 | 30438                | MOLLA X PERNO E PORTA          | SPRING FOR PIN AND DOOR                     |
| 002   | 007 | 26761                | DADO CIECO 5 MA                | NUT BLIND 5 MA                              |
| 002   | 008 | 25990                | VITE TC 5X9 SPEC.X SNODO PR.F. | FLAT HD SCREW 5X9 SPEC. FOR ARM TOGGLE      |
| 002   | 009 | 18342                | BOCCOLA SNODO BRACCETTI        | BUSH FOR DOOR HINGE                         |
| 002   | 010 | 31919                | SEGER RA 7                     | SNAP RING RA 7                              |
| 002   | 011 | 18689                | BRACCETTO PORTELLO APS 43/53   | DOOR STAY APS 43/53                         |
| 002   | 011 | 18690                | BRACCETTO PORTELLO DX STS43/53 | DOOR STAY DX STS43/53                       |
| 002   | 012 | 18069                | FERMO BRACCETTO PORTELLO       | STOPPER DOOR STAY                           |
| 002   | 013 | 28699                | VITE TC 4 X 10                 | CHEESE-HD SCREW TC 4 X 10                   |
| 002   | 014 | 18585                | SQUADRETTA SCROCCHETTO VASCA   | SQUARE TANK HOLDER                          |
| 002   | 015 | 25743                | RONDELLA PIANA DIAM. 4         | SPACER, FLAT, DIAM. 4                       |
| 002   | 016 | 25773                | DADO 4 MA INOX 18/8            | NUTS 4 MA SS 18/8                           |
| 002   | 017 | 25693                | VITE AUTOFIL. TS 4,2X13 INOX   | SELF-TAPPING SCREW BEVEL H. 4,2X13 SS       |
| 002   | 018 | 22121                | SCROCCHETTO PORTELLO PREM.STS  | DOOR CATCH PREASS.STS                       |
| 002   | 019 | 33336                | SCROCCHETTO A ROTELLA          | ROLLER DOOR LATCH                           |
| 002   | 020 | 27155                | DADO IN PLASTICA 10 M          | PLASTIC NUT10 M                             |
| 002   | 021 | 25266                | GUARNIZIONE PIATTA 18 X 10 X 2 | FLAT GASKET 18 X 10 X 2                     |
| 002   | 022 | 32311                | SONDA CURVATA A 60°            | PROBE, 60° CURVED                           |
| 002   | 023 | 25697                | VITE AUTOF.T/TCROCE 3,9X13 ZIG | SELF-TAPPING SCREW CHEESE D747H.ROSS 3,9X13 |
| 002   | 024 | 25831                | PIASTRINA X VITI AUTOF.LATI 7P | PLATE FOR SELFTHREAD. SCREW SIDES 7P        |
| 002   | 025 | 25209                | PIEDINI BASE ESAGONALE         | FEET, HEXAG. BASE                           |
| 002   | 026 | 26751                | VITE 1/2 TONDA TC 6 X 12       | SCREW 1/2 FLAT ROUND HD 6 X 12              |
| 002   | 029 | 18943                | GUIDA CESTELLO SX APS 53 BRILL | RACK GUIDE, LEFT APS 53                     |
| 002   | 029 | 18942                | GUIDA CESTELLO DX APS 53 BRILL | RACK GUIDE, RIGHT APS 53                    |
| 002   | 031 | 25708                | VITE TE M 5 X 10 INOX          | SCREW HEX.HD M 5 X 10 SS                    |
| 002   | 032 | 33277                | VITE AUTOF. TSP 2,9 X 9,5      | SELF-TAPPING SCREW TSP 2,9 X 9,5            |
| 002   | 033 | 18145                | FERMA CESTELLO MM.25           | RACK STOPPER MM.25                          |
| 002   | 034 | 15995                | BUSSOLA FISS. MANIGLIA STS     | BUSH SPRING FIX. HANDLE STS                 |
| 002   | 035 | 18779                | PANNELLO CONTROPORTA STS 53    | INNER DOOR PANEL C 53                       |
| 002   | 036 | 18900                | PORTELLO STS/APS/C 53          | DOOR STS/APS/C 53                           |
| 002   | 037 | 18828                | MANIGLIA X PORT. STS/APS/C 53  | HANDLE FOR DOOR STS/APS/C 53                |
| 002   | 039 | 25293                | TAPPINO IN GOMMA DIAM. 10      | PLUG RUBBER DIAM. 10                        |
| 002   | 040 | 25700                | VITE TC 4 X 8 CON ZIGRINATURA  | SCREW CHEESE-H. 4 X 8 KNURLED               |
| 002   | 041 | 33179                | DADO IN GABBIETTA 4MA          | ENCLOSED NUT 4MA                            |
| 002   | 042 | 25744                | RONDELLA PIANA DIAM.5          | SPACER, FLAT, DIAM.5                        |
| 002   | 043 | 25774                | DADO 5 MA                      | NUTS 5 MA                                   |
| 002   | 044 | 32757                | FRONTALE LABIRINTO STS 53      | LABYRINTH FRONT STS 53                      |
| 002   | 044 | 33177                | FRONTALE LABIRINTO APS 53"H-H" | FRONT PANEL, LABYRINTH APS 53"H-H"          |
| 002   | 045 | 31335                | VITE TS 5 X 8 SPECIALE         | BEVEL-HD SCREW 5X8, SPECIAL                 |
| 002   | 046 | 32969                | MAGNETE X CONTATTO M350 AP     | MAGNET FOR CONTACT M350 AP                  |
| 003   | 001 | 25032                | TAPPO DI CHIUSURA              | CATCH PLUG                                  |
| 003   | 002 | 25245                | GUARNIZIONE OR 3281            | GASKET OR 3281                              |
| 003   | 003 | 30007                | GOMMINO BRACCETTO PORTELLO     | RUBBER FOR DOOR STAY                        |
| 003   | 004 | 25008                | GHIERA CHIUSURA TAPPO VASCA    | LOCK. NUT FOR TANK PLUG                     |
| 003   | 005 | 15568                | PERNO MOBILE X PORTELLO        | MOBILE DOWEL FOR DOOR                       |
| 003   | 006 | 30438                | MOLLA X PERNO E PORTA          | SPRING FOR PIN AND DOOR                     |
| 003   | 007 | 29594                | DADO CIECO 4 MA                | NUT BLIND 4 MA                              |
| 003   | 008 | 26691                | VITE TS M 4 X 8                | SCREW TS M 4 X 8                            |
| 003   | 009 | 18342                | BOCCOLA SNODO BRACCETTI        | BUSH FOR DOOR HINGE                         |
| 003   | 010 | 34016                | TAPPO ESTREMITA'MANIGLIA DX    | PLUG END HANDLE, RIGHT                      |
| 003   | 010 | 34015                | TAPPO ESTREMITA'MANIGLIA SX    | PLUG END HANDLE, LEFT                       |
| 003   | 011 | 18935                | BRACCETTO PORTELLO DX 43/53    | DOOR STAY DX 43/53                          |
| 003   | 011 | 18934                | BRACCETTO PORTELLO SX 43/53    | DOOR STAY SX 43/53                          |
| 003   | 012 | 18069                | FERMO BRACCETTO PORTELLO       | STOPPER DOOR STAY                           |
| 003   | 013 | 28699                | VITE TC 4 X 10                 | CHEESE-HD SCREW TC 4 X 10                   |
| 003   | 014 | 28880                | MADREVITE                      | NUT SCREW                                   |
| 003   | 015 | 32969                | MAGNETE X CONTATTO M350 AP     | MAGNET FOR CONTACT M350 AP                  |
| 003   | 016 | 29670                | GUARNIZIONE OR 2050 - MS 14    | GASKET OR 2050 - MS 14                      |
| 003   | 017 | 25693                | VITE AUTOFIL. TS 4,2X13 INOX   | SELF-TAPPING SCREW BEVEL H. 4,2X13 SS       |
| 003   | 018 | 33835                | TAPPO ADATTATORE X SONDA       | ADAPTER FOR LEVEL PROBE                     |
| 003   | 019 | 33336                | SCROCCHETTO A ROTELLA          | ROLLER DOOR LATCH                           |
| 003   | 020 | 27155                | DADO IN PLASTICA 10 M          | PLASTIC NUT10 M                             |
| 003   | 021 | 34520                | GUARNIZ. SONDA LIV./TRAP. ARIA | GASKET, LEVEL PROBE/AIR TRAP                |

| Seite | Pos | Kreditor Artikel Nr. | IT                             | GB  |
|-------|-----|----------------------|--------------------------------|---|
| 003   | 022 | 32311                | SONDA CURVATA A 60°            | PROBE, 60° CURVED                           |
| 003   | 023 | 25697                | VITE AUTOF.T/TCROCE 3,9X13 ZIG | SELF-TAPPING SCREW CHEESE D747H.ROSS 3,9X13 |
| 003   | 024 | 25831                | PIASTRINA X VITI AUTOF.LATI 7P | PLATE FOR SELFTHREAD. SCREW SIDES 7P        |
| 003   | 025 | 25209                | PIEDINI BASE ESAGONALE         | FEET, HEXAG. BASE                           |
| 003   | 026 | 26751                | VITE 1/2 TONDA TC 6 X 12       | SCREW 1/2 FLAT ROUND HD 6 X 12              |
| 003   | 029 | 33588                | GUIDA CESTELLO DX 53/60 BRILL  | RACK GUIDE, RIGHT 53/60                     |
| 003   | 029 | 33589                | GUIDA CESTELLO SX 53/60 BRILL  | RACK GUIDE, LEFT 53/60                      |
| 003   | 030 | 25239                | GUARN. OR PB 701 3112 x TRAPP  | GASKET OR PB 701 3112 x AIR TRAP            |
| 003   | 031 | 25708                | VITE TE M 5 X 10 INOX          | SCREW HEX HD M 5 X 10 SS                    |
| 003   | 032 | 33277                | VITE AUTOF. TSP 2,9 X 9,5      | SELF-TAPPING SCREW TSP 2,9 X 9,5            |
| 003   | 033 | 18145                | FERMA CESTELLO MM.25           | RACK STOPPER MM.25                          |
| 003   | 034 | 15995                | BUSSOLA FISS. MANIGLIA STS     | BUSH SPRING FIX. HANDLE STS                 |
| 003   | 035 | 33557                | PANNELLO CONTROP. STS/APS/C 53 | INNER DOOR PANEL STS/APS/C 53               |
| 003   | 036 | 18900                | PORTELLO STS/APS/C 53          | DOOR STS/APS/C 53                           |
| 003   | 037 | 18828                | MANIGLIA X PORT. STS/APS/C 53  | HANDLE FOR DOOR STS/APS/C 53                |
| 003   | 038 | 22173                | PORTELLO TAMB. 53 L503xH354    | DOOR ASSEMBLY CPL 53 L503xH354              |
| 003   | 039 | H160720              | TAPPO A SCATTO HEYCO D.8       | SNAP PLUG HEYCO D.8                         |
| 003   | 039 | 25293                | TAPPINO IN GOMMA DIAM. 10      | PLUG RUBBER DIAM. 10                        |
| 003   | 040 | 25700                | VITE TC 4 X 8 CON ZIGRINATURA  | SCREW CHEESE-H. 4 X 8 KNURLED               |
| 003   | 041 | 33179                | DADO IN GABBIETTA 4MA          | ENCLOSED NUT 4MA                            |
| 003   | 042 | 25743                | RONDELLA PIANA DIAM. 4         | SPACER, FLAT, DIAM. 4                       |
| 004   | 001 | 33227                | CRUSCOTTO COMANDI APS 53"H-H"  | CONTROL PANEL APS 53"H-H"                   |
| 004   | 002 | 25697                | VITE AUTOF.T/TCROCE 3,9X13 ZIG | SELF-TAPPING SCREW CHEESE D747H.ROSS 3,9X13 |
| 004   | 003 | 33214                | COPERCHIETTO CRUSCOTTO"HOONVED | COVER, CONTROL PANEL "HOONVED"              |
| 004   | 004 | 32872                | INTERRUTTORE CM UNIP. D        | SWITCH SA SINGLE POLE D                     |
| 004   | 005 | 29529                | PULSANTE UNIPOLARE NA          | UNIPOLAR PUSHBUTTON NA                      |
| 004   | 006 | 33247                | SUPPORTO VETRO GRIGIO LUCIDO   | SUPPORT LAMP HOLDER, BRIGHT GREY            |
| 004   | 007 | 32890                | TASTO GRIGIO LUCIDO            | BRIGHT GREY PUSH-BUTTON,                    |
| 004   | 008 | 33185                | LAMPADA LED"VERDE"             | LED BULB "GREEN"                            |
| 004   | 009 | 33186                | LAMPADA LED"ROSSA"             | LED BULB "RED"                              |
| 004   | 010 | 33187                | LAMPADA LED"ARANCIO"           | LED BULB "ORANGE"                           |
| 004   | 011 | 32891                | SUPPORTO LAMPADA               | LIGHT BULB HOLDER                           |
| 004   | 012 | 32868                | GEMMA D16"VERDE"               | CAP, Ø16"GREEN"                             |
| 004   | 013 | 32867                | GEMMA D16"ROSSA"               | CAP, Ø16 "RED"                              |
| 004   | 014 | 32869                | GEMMA D16"ARANCIO"             | CAP, Ø16"ORANGE"                            |
| 004   | 015 | 33202                | COPERCHIETTO CRUSC.APS 53"H-H" | COVER, CONTROL PANEL APS 53"H-H"            |
| 004   | 016 | 32414                | CASSETTO ELETTRICO             | POWER BOX                                   |
| 004   | 017 | 31873                | TELERUTTORE 220-240V- B6-30-10 | REMOTE SWITCH 220-240V- B6-30-10            |
| 004   | 018 | 30517                | VITE TS 3 X 16 CROCE           | BEVEL, CROSS-SLOT HD.SCREW TS 3 X 16        |
| 004   | 019 | 33188                | SENSORE MAGNETICO              | MAGNETIC SENSOR                             |
| 004   | 020 | 31828                | RONDELLA DENTEL.E. DIAM.3      | DENTED ROUND SPACER, EX Ø 3                 |
| 004   | 021 | 25777                | DADO 3 MA                      | NUTS 3 MA                                   |
| 004   | 022 | 22207                | CABLAGGIO ELE. PR. APS 43/60   | ELECTR. WIRING, PREASS.APS 43/60            |
| 004   | 023 | 30681                | CAVALLOTTO FISS. CONNETTORE    | FIXING JUMPER FOR CONNECTOR                 |
| 004   | 024 | 25684                | VITE AUTOFIL. TC 2,9X9,5 INOX  | SELF-TAPPING SCREW CHEESE-H. 2,9X9,5 SS     |
| 004   | 025 | 15971                | SQUADRETTA FISS.FILTRI ANTID.  | FIX.SQUARE FOR ANTID.FILTERS                |
| 004   | 026 | 31324                | FILTRO ANTIDISTURBO TIPO 5001  | NOISE FILTER, TYPE 5001                     |
| 004   | 027 | 33217                | MAZZETTA X CABLAG.3FILTRI ANT. | WIRING BUNDLE FOR 3 FRONT FILTERS           |
| 004   | 028 | 30600                | MORSETTIERA CON FISSAC.TRIFASE | TERMIN. BLOCK W/3-PH. CABLE CONNECT.        |
| 004   | 029 | 25775                | DADO 6 MA                      | NUT 6 MA                                    |
| 004   | 030 | 25745                | RONDELLA PIANA DIAM.6          | SPACER, FLAT, DIAM.6                        |
| 004   | 031 | 25699                | VITE TC 4 X 6                  | SCREW CHEESE-H. 4 X 6                       |
| 004   | 032 | 17597                | SQUADRETTA FISS.MORSETTIERA PA | HOLDER FIX. TERMINAL BLOCK PA               |
| 004   | 033 | 33274                | SONDA TEMPERATURA              | TEMPERATURE PROBE                           |
| 004   | 033 | 34945                | SONDA TEMPERATURA NTC L=200    | TEMPERATURE PROBE NTC L=200                 |
| 004   | 034 | 33173                | SCHEDA ELET. DWSAP 01.03.99    | PRINT.CIRC.BOARD DWSAP 01.03.99             |
| 004   | 035 | 30006                | DISTANZIALE X SUPP.CIRC.STAMP. | SPACER FOR PRINTED CIRC. HOLDER             |
| 004   | 036 | 34284                | FUS.V.5X20 32 MA (33173-33342) | FUSE,V.5X20 32 MA (33173-33342)             |
| 004   | 037 | 34187                | MICROP.DWSAP V.01.02-010399    | MICROP.DWSAPTSE V.01.02-010399              |
| 005   | 001 | 30006                | DISTANZIALE X SUPP.CIRC.STAMP. | SPACER FOR PRINTED CIRC. HOLDER             |
| 005   | 002 | 33725                | TARGA COMANDI APS 53           | NAMEPLATE, CONTROLS APS 53                  |
| 005   | 003 | 15969                | PIASTRINA FISS.MAGNETE STS     | MAGNET FIXING PLATE STS                     |
| 005   | 004 | 32872                | INTERRUTTORE CM UNIP. D        | SWITCH SA SINGLE POLE D                     |
| 005   | 005 | 29529                | PULSANTE UNIPOLARE NA          | UNIPOLAR PUSHBUTTON NA                      |
| 005   | 006 | 33247                | SUPPORTO VETRO GRIGIO LUCIDO   | SUPPORT LAMP HOLDER, BRIGHT GREY            |
| 005   | 007 | 32890                | TASTO GRIGIO LUCIDO            | BRIGHT GREY PUSH-BUTTON,                    |
| 005   | 008 | 33185                | LAMPADA LED"VERDE"             | LED BULB "GREEN"                            |
| 005   | 009 | 33186                | LAMPADA LED"ROSSA"             | LED BULB "RED"                              |
| 005   | 010 | 33187                | LAMPADA LED"ARANCIO"           | LED BULB "ORANGE"                           |

| Seite | Pos | Kreditor Artikel Nr. | IT                               | GB  |
|-------|-----|----------------------|----------------------------------|---|
| 005   | 011 | 32891                | SUPPORTO LAMPADA                 | LIGHT BULB HOLDER                           |
| 005   | 012 | 32868                | GEMMA D16"VERDE"                 | CAP, Ø16"GREEN"                             |
| 005   | 013 | 32867                | GEMMA D16"ROSSA"                 | CAP, Ø16"RED"                               |
| 005   | 013 | 34248                | GEMMA D16 "BIANCA"               | LAMP COVER "WHITE" D16                      |
| 005   | 014 | 32869                | GEMMA D16"ARANCIO"               | CAP, Ø16"ORANGE"                            |
| 005   | 015 | 25831                | PIASTRINA X VITI AUTOF.LATI 7P   | PLATE FOR SELFTHREAD. SCREW SIDES 7P        |
| 005   | 016 | 28746                | INTERRUTTORE AUTOMATICO 10 A     | AUTOMATIC SWITCH 10 A                       |
| 005   | 017 | 31873                | TELERUTTORE 220-240V- B6-30-10   | REMOTE SWITCH 220-240V- B6-30-10            |
| 005   | 018 | 25791                | DADO AUTOBLOCCANTE 5 MA P.A.S.C. | SELF-LOCKING NUT 5 MA LOWER SIDE            |
| 005   | 019 | 33188                | SENSORE MAGNETICO                | MAGNETIC SENSOR                             |
| 005   | 020 | 31828                | RONDELLA DENTEL.E. DIAM.3        | DENTED ROUND SPACER, EX Ø 3                 |
| 005   | 021 | 25777                | DADO 3 MA                        | NUTS 3 MA                                   |
| 005   | 022 | 22207                | CABLAGGIO ELE. PR. APS 43/60     | ELECTR. WIRING, PREASS.APS 43/60            |
| 005   | 023 | 30681                | CAVALLOTTO FISS. CONNETTORE      | FIXING JUMPER FOR CONNECTOR                 |
| 005   | 024 | 25684                | VITE AUTOFIL. TC 2,9X9,5 INOX    | SELF-TAPPING SCREW CHEESE-H. 2,9X9,5 SS     |
| 005   | 025 | 35562                | MICROP.DWSAP 1.04-24.02.03       | MICROP.DWSAP 1.04-24.02.03                  |
| 005   | 025 | 34187                | MICROP.DWSAP V.01.02-010399      | MICROP.DWSAPTSE V.01.02-010399              |
| 005   | 026 | 33173                | SCHEDA ELET. DWSAP 01.03.99      | PRINT.CIRC.BOARD DWSAP 01.03.99             |
| 005   | 027 | 30600                | MORSETTIERA CON FISSAC.TRIFASE   | TERMIN. BLOCK W/3-PH. CABLE CONNECT.        |
| 005   | 028 | 25775                | DADO 6 MA                        | NUT 6 MA                                    |
| 005   | 029 | 25745                | RONDELLA PIANA DIAM.6            | SPACER, FLAT, DIAM.6                        |
| 005   | 030 | 34284                | FUS.V.5X20 32 MA (33173-33342)   | FUSE,V.5X20 32 MA (33173-33342)             |
| 005   | 031 | 25699                | VITE TC 4 X 6                    | SCREW CHEESE-H. 4 X 6                       |
| 005   | 032 | 17597                | SQUADRETTA FISS.MORSETTIERA PA   | HOLDER FIX. TERMINAL BLOCK PA               |
| 005   | 033 | 34945                | SONDA TEMPERATURA NTC L=200      | TEMPERATURE PROBE NTC L=200                 |
| 005   | 033 | 35567                | SONDA TEMP.NTC 3.3K GIALLA FAS   | PROBE TEMP. NTC 3.3K YELLOW                 |
| 005   | 034 | 33558                | COMANDI + CASS. EL. PREM. 53     | CONTROLS+ELECT.BOX, PREASS.53               |
| 005   | 035 | 31324                | FILTRO ANTIDISTURBO TIPO 5001    | NOISE FILTER, TYPE 5001                     |
| 005   | 036 | 34046                | CORDA IN NYLON X FERMOCASSETTO   | NYLON ROIPE, DRAWER LIMIT STOP              |
| 005   | 037 | 25744                | RONDELLA PIANA DIAM.5            | SPACER, FLAT, DIAM.5                        |
| 005   | 038 | 25774                | DADO 5 MA                        | NUTS 5 MA                                   |
| 005   | 039 | 25757                | RONDELLA DENTEL. DIAM. 12 D.E.   | TOOTHED SPACER DIAM. 12 D.E.D787            |
| 005   | 040 | 25782                | DADO 8 MA                        | NUT 8 MA                                    |
| 005   | 041 | 34305                | PASSACAVO STEAB 6211/16/21       | CABLE RACEWAY STEAB 6211/16/21              |
| 006   | 001 | 33227                | CRUSCOTTO COMANDI APS 53"H-H"    | CONTROL PANEL APS 53"H-H"                   |
| 006   | 002 | 25697                | VITE AUTOF.T/TCROCE 3,9X13 ZIG   | SELF-TAPPING SCREW CHEESE D747H.ROSS 3,9X13 |
| 006   | 003 | 33214                | COPERCHIETTO CRUSCOTTO"HOONVED   | COVER, CONTROL PANEL "HOONVED"              |
| 006   | 004 | 32872                | INTERRUTTORE CM UNIP. D          | SWITCH SA SINGLE POLE D                     |
| 006   | 005 | 29529                | PULSANTE UNIPOLARE NA            | UNIPOLAR PUSHBUTTON NA                      |
| 006   | 006 | 33247                | SUPPORTO VETRO GRIGIO LUCIDO     | SUPPORT LAMP HOLDER, BRIGHT GREY            |
| 006   | 007 | 32890                | TASTO GRIGIO LUCIDO              | BRIGHT GREY PUSH-BUTTON,                    |
| 006   | 008 | 28870                | LAMPADA SIGNAL-LUX FM6,3 230V.   | PILOT LIGHT BULB -LUX FM6,3 230V.           |
| 006   | 009 | 32891                | SUPPORTO LAMPADA                 | LIGHT BULB HOLDER                           |
| 006   | 010 | 32868                | GEMMA D16"VERDE"                 | CAP, Ø16"GREEN"                             |
| 006   | 011 | 32867                | GEMMA D16"ROSSA"                 | CAP, Ø16"RED"                               |
| 006   | 012 | 32869                | GEMMA D16"ARANCIO"               | CAP, Ø16"ORANGE"                            |
| 006   | 013 | 33202                | COPERCHIETTO CRUSC.APS 53"H-H"   | COVER, CONTROL PANEL APS 53"H-H"            |
| 006   | 014 | 32414                | CASSETTO ELETTRICO               | POWER BOX                                   |
| 006   | 015 | 31873                | TELERUTTORE 220-240V- B6-30-10   | REMOTE SWITCH 220-240V- B6-30-10            |
| 006   | 016 | 30517                | VITE TS 3 X 16 CROCE             | BEVEL, CROSS-SLOT HD.SCREW TS 3 X 16        |
| 006   | 017 | 33188                | SENSORE MAGNETICO                | MAGNETIC SENSOR                             |
| 006   | 018 | 31828                | RONDELLA DENTEL.E. DIAM.3        | DENTED ROUND SPACER, EX Ø 3                 |
| 006   | 019 | 25777                | DADO 3 MA                        | NUTS 3 MA                                   |
| 006   | 020 | 32382                | CABLAGGIO ELETTR.AP 43/60        | ELECTRIC WIRING AP 43/60                    |
| 006   | 021 | 30681                | CAVALLOTTO FISS. CONNETTORE      | FIXING JUMPER FOR CONNECTOR                 |
| 006   | 022 | 25684                | VITE AUTOFIL. TC 2,9X9,5 INOX    | SELF-TAPPING SCREW CHEESE-H. 2,9X9,5 SS     |
| 006   | 023 | 15971                | SQUADRETTA FISS.FILTRI ANTID.    | FIX.SQUARE FOR ANTID.FILTERS                |
| 006   | 024 | 31324                | FILTRO ANTIDISTURBO TIPO 5001    | NOISE FILTER, TYPE 5001                     |
| 006   | 025 | 33217                | MAZZETTA X CABLAG.3FILTRI ANT.   | WIRING BUNDLE FOR 3 FRONT FILTERS           |
| 006   | 026 | 30600                | MORSETTIERA CON FISSAC.TRIFASE   | TERMIN. BLOCK W/3-PH. CABLE CONNECT.        |
| 006   | 027 | 25775                | DADO 6 MA                        | NUT 6 MA                                    |
| 006   | 028 | 25745                | RONDELLA PIANA DIAM.6            | SPACER, FLAT, DIAM.6                        |
| 006   | 029 | 25699                | VITE TC 4 X 6                    | SCREW CHEESE-H. 4 X 6                       |
| 006   | 030 | 17597                | SQUADRETTA FISS.MORSETTIERA PA   | HOLDER FIX. TERMINAL BLOCK PA               |
| 006   | 031 | 27434                | REGOLATORE DI LIVELLO            | LEVEL CONTROL                               |
| 006   | 032 | 27193                | ZOCCOLO OCTAL                    | BASE, OCTAL                                 |
| 006   | 033 | 32362                | TIMER P26/28-6CR-180"-220V       | TIMER P26/28-6CR-180"-220V                  |
| 006   | 033 | 32361                | TIMER P26/27-6CR-150"-220V       | TIMER P26/27-6CR-150"-220V                  |
| 006   | 034 | 32363                | TIMER P26/26-3CR-60"-220V        | TIMER P26/26-3CR-60"-220V                   |

| Seite | Pos | Kreditor Artikel Nr. | IT                             | GB                                      |
|-------|-----|----------------------|--------------------------------|---|
| 006   | 035 | 29839                | RELE' C 1                      | RELAY C 1                               |
| 006   | 036 | 34312                | RELE'T.A2S FA 16A 230V         | T.F. RELAY A2S FA 16A 230V              |
| 006   | 036 | 33324                | RELE'JA 1CIM-220 VAC-DARE34312 | RELAY, JA 1CIM-220 VAC-DARE34312        |
| 007   | 001 | 32441                | SCATOLA LAVAGGIO GRANDE AP     | WASH BOX, LARGE SIZE, HP                |
| 007   | 002 | 32442                | COPERCHIO SCATOLA LAV.GRAND.AP | COVER, WASH BOX, LARGE HP               |
| 007   | 003 | 31784                | GUARNIZIONE OR 3350            | GASKET OR 3350                          |
| 007   | 004 | 17914                | ALBERO RISC.SUPER.AP 43-48-53  | RINSE SHAFT UPPER AP 43-48-53           |
| 007   | 005 | 17922                | DADO CIECO X TURBO SUP.A.P.    | BLIND NUT X TURBO SUP.A.P.              |
| 007   | 006 | 17916                | PORTAGOMMA TURBO SUP. AP       | HOSE FITTING TURBO SUP. AP              |
| 007   | 007 | 25792                | DADO AUTOBLOCCANTE 6 MA BASSO  | SELF-LOCKING NUT 6 MA LOWER SIDE        |
| 007   | 008 | 31785                | GUARNIZIONE PIATTA IN SUGHERO  | CORK FLAT GASKET                        |
| 007   | 009 | 25775                | DADO 6 MA                      | NUT 6 MA                                |
| 007   | 010 | 25715                | VITE TE M 6 X 16 INOX          | SCREW HEX.HD M 6 X 16 SS                |
| 007   | 011 | 32450                | VITE TS 3X10                   | BEVEL-HEAD SCREW 3X10                   |
| 007   | 012 | 25803                | FASCETTA STRINGITUBO 13-20 ABA | HOSE CLIP 13-20 ABA                     |
| 007   | 013 | 25240                | GUARNIZIONE OR 121             | GASKET OR 121                           |
| 007   | 014 | 29608                | FASCETTA STRINGITUBO 17-32CLAM | HOSE CLIP 17-32CLAM                     |
| 007   | 015 | 33956                | MANICOTTO X RACCORDO 3 VIE     | SLEEVE FOR 3-WAY FITTING                |
| 007   | 016 | 33767                | MANICOTTO COL.POMPA-BOILER APS | SLEEVE, BOILER PUMP APS                 |
| 007   | 017 | 34767                | PORTAGOMMA OTTONE M.14 X 1     | BRASS HOSE FITTING M.14 X 1             |
| 007   | 017 | 25036                | RACCORDO PORTA GOMMA           | HOSE FITTING                            |
| 007   | 018 | 30516                | TAPPINO FILETTATO 9 X 1        | THREADED PLUG 9 X 1                     |
| 007   | 019 | 17933                | DISTANZIALE FILETT.INT.14X1    | DISTANCE. THREADED INT. 14X1            |
| 007   | 019 | 34155                | RACCORDO ALIMENT. RISCIAQUO    | FITTING, RINSE DELIVERY                 |
| 007   | 022 | 22086/R              | ASTA RISC.SUP.PREM. 53         | RINSE ARM UPP.PREASS. 53                |
| 007   | 022 | 21891                | ASTA RISC.SUPER.PREM.AP 53     | RINSE ARM UPPER PREASS.AP 53            |
| 007   | 023 | 21021                | GETTO RISCIAQUO O 2,5 PREM.    | RINSE JET O 2,5 PREASS.                 |
| 007   | 024 | 22155                | GETTO RISCIAQUO O 1,5 PREM.    | RINSE JET O 1,5 PREASS.                 |
| 007   | 025 | 00182                | TUBO GOMMA 11X19 CASER/15"BLU" | HOSE 11X19 CASER/15"BLUE"               |
| 007   | 026 | 31314                | NIPPLES GETTI RISC.            | NIPPLES RINSE JETS                      |
| 007   | 029 | 33776                | ASTA RISCIAQUO FISSA 53        | RINSE ARM FIXED 53                      |
| 007   | 029 | 17936                | ASTA RISCIAQUO FISSA AP 53     | FIXED RINSE ARM AP 53                   |
| 007   | 030 | 31313                | FASCETTA NIPPLES RISC.         | HOSE CLIP FOR RINSE NIPPLES             |
| 007   | 031 | 25714                | VITE AUTOFIL. TC 3,5X16 INOX   | SELF-TAPPING SCREW TC 2,9X9,5 SS        |
| 007   | 033 | 32360                | BLOCCHETTO ASTA LAV-RISC.AP    | HP WASH-RINSE ARM BLOCK                 |
| 007   | 034 | 32174                | BRACCIO ASTA RISC.3/S          | RINSE ARM3/S                            |
| 007   | 035 | 32175                | BRACCIO ASTA RISC.3/S          | RINSE ARM3/S                            |
| 007   | 036 | 29156                | GETTO LAVAGGIO "NATURALE"      | WASH JET "NATURAL"                      |
| 007   | 037 | 06785                | INSERTO ASTA RISCIAQUO         | WASHING ASSY COMPONENT                  |
| 007   | 038 | 21866                | ASTA LAVAG.INF-SUP.PRE.AP43/53 | WASHARM.LOW-UPP.PRE.AP43/53             |
| 007   | 039 | 32177                | BRACCIO ASTA RISC.3/I-4/S      | RINSE ARM3/I-4/S                        |
| 007   | 040 | 32176                | BRACCIO ASTA RISC.3/I-4/S      | RINSE ARM3/I-4/S                        |
| 007   | 041 | 17920                | VITE SPEC. FILET. A.P. 10X1 SX | SCREW SPEC. THREAD. A.P. 10X1 L.        |
| 007   | 042 | 33276                | CONNETTORE A T-D11,5-COM180413 | T-SHAPED CONNECTOR 11,5-PART180413      |
| 007   | 043 | 17921                | PORTAGOMMA TRIPLO A.P.         | HOSE FITTING TRIPLE A.P.                |
| 007   | 044 | 25684                | VITE AUTOFIL. TC 2,9X9,5 INOX  | SELF-TAPPING SCREW CHEESE-H. 2,9X9,5 SS |
| 007   | 045 | 32282                | GHIERA FIL. ASTA LAVAGGIO AP   | THREADED RING, WASHARM                  |
| 008   | 001 | 32981                | BUSSOLA GRUPPO INF.AP 43/48/53 | BUSH SPRING, LOW.SUPPORT HP 43/48/53    |
| 008   | 002 | 32310                | GUARNIZIONE OR 3200            | GASKET OR 3200                          |
| 008   | 004 | 32350                | GRUPPO CENTR.LAV-RISC.AP       | WASH-RINSE SUPPORT BOTTOM HP            |
| 008   | 005 | 32403                | PORTAGOMMA 1/2"MASCHIO INOX    | HOSE FITTING 1/2"MALE SS                |
| 008   | 006 | 32352                | PORTAGOMMA CURVO A 90° 1/4 F   | HOSE FITTING, 90° ELBOW 1/4 F           |
| 008   | 008 | 32360                | BLOCCHETTO ASTA LAV-RISC.AP    | HP WASH-RINSE ARM BLOCK                 |
| 008   | 011 | 06785                | INSERTO ASTA RISCIAQUO         | WASHING ASSY COMPONENT                  |
| 008   | 012 | 29156                | GETTO LAVAGGIO "NATURALE"      | WASH JET "NATURAL"                      |
| 008   | 013 | 18345                | ANELLO DISTANZIALE             | SPACER RING                             |
| 008   | 015 | 29695                | GETTO RISCIAQUO "NERO"         | RINSE NOZZLE "BLACK"                    |
| 008   | 016 | 32359                | TAPPO FILETT.ASTA RISC.STS/APS | THREAD.PLUG, RINSE ARM STS/APS          |
| 008   | 017 | 34351                | PERNO RINVIO INOX RISC.APS/STS | DRIVE PIN, SS RISC.APS/STS              |
| 008   | 021 | 32282                | GHIERA FIL. ASTA LAVAGGIO AP   | THREADED RING, WASHARM                  |
| 008   | 023 | 30516                | TAPPINO FILETTATO 9 X 1        | THREADED PLUG 9 X 1                     |
| 008   | 024 | 33346                | DISCO GRUPPO CENTRALE          | DISC FOR CENTRAL SUPPORT                |
| 008   | 025 | 21868                | ASTA LAVAG.INFER.PREM.AP 53    | WASHARM LOWER PREASS.AP 53              |
| 008   | 026 | 32405                | BRACCIO ASTA RISC.5/I-6/S AP53 | RINSE ARM 5/I-6/S AP53                  |
| 008   | 027 | 32406                | BRACCIO ASTA RISC.5/I-6/S AP53 | RINSE ARM5/I-6/S AP53                   |
| 008   | 028 | 21865                | ASTA RISC.INFER.PREM. 53/60    | RINSE ARM LOWER PREASS. 53/60           |
| 008   | 029 | 34503                | VITE AUTOFIL. TC 2,9X6,5 INOX  | CHEESE-HD, SELF-TAP.SCREW 2,9X6,5 SS    |
| 009   | 001 | 36431                | Colonnina Inf.aps Senza Inser. | Lower column aps without insert.        |
| 009   | 002 | 32310                | GUARNIZIONE OR 3200            | GASKET OR 3200                          |

| Seite | Pos | Kredtor Artikel Nr. | IT                             | GB  |
|-------|-----|---------------------|--------------------------------|---|
| 009   | 003 | 36467               | ALBERO RISC.INF.INOX APS H=133 | RINSE SHAFT LOWER INOX APS H=133            |
| 009   | 004 | 32350               | GRUPPO CENTR.LAV-RISC.AP       | WASH RINSE SUPPORT BOTTOM HP                |
| 009   | 005 | 32403               | PORTAGOMMA 1/2" MASCHIO INOX   | HOSE FITTING 1/2" MALE SS                   |
| 009   | 006 | 33346               | DISCO GRUPPO CENTRALE          | DISC FOR CENTRAL SUPPORT                    |
| 009   | 007 | 32352               | PORTAGOMMA CURVO A 90° 1/4 F   | HOSE FITTING, 90° ELBOW 1/4 F               |
| 009   | 008 | 36478               | DEFLETTORE MULINELLO SERIE APS | VORTEX ARM APS                              |
| 009   | 009 | 34263               | GETTO LAVAGGIO A CLIP          | WASHING JET, CLIP                           |
| 009   | 010 | 34293               | MOLLETTA BLOCCAGGIO GETTO      | JET LOCK SPRING                             |
| 009   | 011 | 34360               | GUARNIZIONE OR 7 X 1 NBR 70    | GASKET OR 7 X 1 NBR 70                      |
| 009   | 012 | 36228               | Bussola Tipo H3 Fm-1416-12     | Bush Type H3 Fm-1416-12                     |
| 009   | 013 | 36230               | Bussola Tipo H3 Sm-1416-09     | Bush Type H3 Sm-1416-09                     |
| 009   | 015 | 36222               | Perno Mulin.risciacquo Aps     | Pin for rinse arm Aps                       |
| 009   | 016 | 36223               | Ghiera Distanziale Risc. Aps   | Spacer ring for rinse Aps                   |
| 009   | 018 | H190663             | Bussola Mul.ris.aps Hfm-121407 | Bush, rinse arm aps Hfm-121407              |
| 009   | 019 | 35107               | GRANO CE 4X4 P/PIATTA-DIN 913  | DOWEL FOR FLT.GSKT 4X4, DIN 913             |
| 009   | 021 | 36219               | MULINEL.LAV.INFAPS48-SUP53INOX | WASHARM LOWER APS48-UPPER 53 INOX           |
| 009   | 023 | 36220               | MULINELLO LAV. APS53/60 INOX   | WASHARM APS53/60 INOX                       |
| 009   | 024 | 36226               | Mulinello Risc. Inox Aps 53/60 | Stainless steel rinse arm Aps 53/60         |
| 009   | 026 | 36213               | ANELLO DISTANZ.LAV/RISC. H=14  | SPACER RING H=14                            |
| 009   | 027 | 17920               | VITE SPEC. FILET. A.P. 10X1 SX | SCREW SPEC. THREAD. A.P. 10X1 L.            |
| 009   | 028 | 34264               | GETTO RISCIAQUO CON MOLLETTA   | RINSE JET WITH SPRING                       |
| 010   | 001 | 27386               | TUBO DI SCARICO DIAM.18,5X1500 | DRAIN HOSE DIA.18,5X1500                    |
| 010   | 002 | 15818               | VALVOLA X SCARICO CON SFIATO   | VALVE X DRAIN WITH BREAT. PIPE              |
| 010   | 003 | 29608               | FASCETTA STRINGITUBO 17-32CLAM | HOSE CLIP 17-32CLAM                         |
| 010   | 005 | 32343               | MANICOTTO DI SCARICO AP 53-60  | DRAIN SLEEVE AP 53-60                       |
| 010   | 006 | 25775               | DADO 6 MA                      | NUT 6 MA                                    |
| 010   | 007 | 25745               | RONDELLA PIANA DIAM.6          | SPACER, FLAT, DIAM.6                        |
| 010   | 008 | 00409               | TUBETTO TONDO 6x9 TRASPARENTE  | ROUND TUBE 6X9, CLEAR                       |
| 010   | 009 | 34520               | GUARNIZ. SONDA LIV./TRAP. ARIA | GASKET, LEVEL PROBE/AIR TRAP                |
| 010   | 010 | 25783               | DADO 10 MA                     | NUT 10 MA                                   |
| 010   | 011 | 25248               | GUARNIZIONE OR R 4             | GASKET OR R 4                               |
| 010   | 012 | 31623               | ELETTROP. DI SCAR. A 90° 50HZ  | 90° DRAIN WASH PUMP 50HZ                    |
| 010   | 013 | 25807               | FASCETTA STRINGITUBO 26-38 ABA | HOSE CLIP 26-38 ABA                         |
| 010   | 014 | 31612               | MANICOTTO SCARICO A GOMITO     | ELBOW DRAIN SLEEVE                          |
| 010   | 015 | 18579               | SQUADRETTA FISS.POMPA AP 43/53 | FIXING PUMP HOLDER APS 43/53                |
| 010   | 016 | 25713               | VITE TE 6 X 10 INOX            | SCREW HEX.HD 6 X 10 SS                      |
| 010   | 017 | 25750               | RONDELLA SPACCATA DIAM. 6      | SPACER, SPLITTED, DIAM. 6                   |
| 010   | 018 | 25745               | RONDELLA PIANA DIAM.6          | SPACER, FLAT, DIAM.6                        |
| 010   | 019 | 28880               | MADREVITE                      | NUT SCREW                                   |
| 010   | 020 | 25697               | VITE AUTOF.T/TCROCE 3,9X13 ZIG | SELF-TAPPING SCREW CHEESE D747H.ROSS 3,9X13 |
| 010   | 021 | 25808               | FASCETTE STRINGITUBO 27-51CLAM | HOSE CLIP 27-51CLAM                         |
| 010   | 022 | 31621               | RACCORDO POMPETTA SCARICO      | FITTING, DRAIN PUMP                         |
| 010   | 023 | 28226               | GUARNIZ.OR 3181 X PIPA SCARICO | GASKET OR 3181 FOR DRAIN LUG                |
| 010   | 024 | 31637               | GHIERA CON GANCIO S/ZA CROCE   | CROSSLESS HOOK SLEEVE                       |
| 010   | 025 | 30425               | PILETTA ASPIRAZIONE            | SUCTION PIPE UNION                          |
| 010   | 026 | 31948               | GUARNIZIONE OR                 | GASKET OR                                   |
| 010   | 027 | 25006               | GHIERA PILETTA ASP. P.         | NUT FO DRAIN SUCT. P.                       |
| 010   | 028 | 30839               | ANELLO FILTRO ANTIDEPPOSITO    | RING, ANTICLOG FILTER                       |
| 010   | 029 | 31622               | FILTRO POMPETTA SCAR.          | FILTER DRAIN PUMP                           |
| 010   | 030 | 32515               | MANOPOLA BASSA X FILTRO VASCA  | LOWER SIDE KNOB FOR TANK FILTER             |
| 010   | 031 | 31209               | DISCO GRIGLIATO FILTRO VASCA   | GRID DISC, TANK FILTER                      |
| 010   | 032 | 25684               | VITE AUTOFIL. TC 2,9X9,5 INOX  | SELF-TAPPING SCREW CHEESE-H. 2,9X9,5 SS     |
| 010   | 033 | 31210               | MANETTA DI TENUTA FILTRO VASCA | HOLDING LEVER, TANK FILTER                  |
| 010   | 034 | 21574               | FILTRO VASCA PREM. AP          | FILTER TANK PREASS. AP                      |
| 010   | 035 | 26907               | MANICOTTO ASPIRAZIONE 48-53    | SUCTION SLEEVE 48-53                        |
| 010   | 036 | 25809               | FASCETTA STRINGITUBO 40-64CLAM | HOSE CLIP 40-64CLAM                         |
| 010   | 037 | 32311               | SONDA CURVATA A 60°            | PROBE, 60° CURVED                           |
| 010   | 039 | 27155               | DADO IN PLASTICA 10 M          | PLASTIC NUT 10 M                            |
| 010   | 040 | 21094               | FILTRO ASPIRAZ.TURBO PREM.     | SUCTION FILTER TURBO PREASS.                |
| 010   | 041 | 35093               | POMPA SCAR.HANNING DPS 25 50hz | DRAIN PUMP HANNING TYPE DPS 25              |
| 010   | 043 | 35113               | SQUADR.x POMPA SCAR. APS 53    | BRACKET, DRAIN PUMP APS 53                  |
| 010   | 044 | 31717               | FILTRO VASCA INTERNO           | TANK FILTER                                 |
| 010   | 045 | 31716               | FILTRO VASCA APS S/SOTTOFILTRO | TANK FILTER                                 |
| 011   | 001 | 27386               | TUBO DI SCARICO DIAM.18,5X1500 | DRAIN HOSE DIA.18,5X1500                    |
| 011   | 002 | 15818               | VALVOLA X SCARICO CON SFIATO   | VALVE X DRAIN WITH BREAT. PIPE              |
| 011   | 003 | 29608               | FASCETTA STRINGITUBO 17-32CLAM | HOSE CLIP 17-32CLAM                         |
| 011   | 005 | 32343               | MANICOTTO DI SCARICO AP 53-60  | DRAIN SLEEVE AP 53-60                       |
| 011   | 006 | 25775               | DADO 6 MA                      | NUT 6 MA                                    |
| 011   | 007 | 25745               | RONDELLA PIANA DIAM.6          | SPACER, FLAT, DIAM.6                        |

| Seite | Pos | Kredtor Artikel Nr. | IT                                    | GB  |
|-------|-----|---------------------|---------------------------------------|---|
| 011   | 008 | 00409               | TUBETTO TONDO 6x9 TRASPARENTE         | ROUND TUBE 6X9, CLEAR                       |
| 011   | 009 | 34520               | GUARNIZ. SONDA LIV./TRAP. ARIA        | GASKET, LEVEL PROBE/AIR TRAP                |
| 011   | 010 | 25783               | DADO 10 MA                            | NUT, 10 MA                                  |
| 011   | 011 | 28248               | GOMITO A PIPA T/N                     | ELBOW LUG T/N                               |
| 011   | 012 | 31623               | ELETTROP. DI SCAR. A 90° 50HZ         | 90°DRAIN WASH PUMP 50HZ                     |
| 011   | 013 | 25807               | FASCETTA STRINGITUBO 26-38 ABA        | HOSE CLIP 26-38 ABA                         |
| 011   | 014 | 31612               | MANICOTTO SCARICO A GOMITO            | ELBOW DRAIN SLEEVE                          |
| 011   | 015 | 18579               | SQUADRETTA FISS.POMPA AP 43/53        | FIXING PUMP HOLDER APS 43/53                |
| 011   | 016 | 25713               | VITE TE 6 X 10 INOX                   | SCREW HEX. TD 6 X 10 SS                     |
| 011   | 017 | 25750               | RONDELLA SPACCATA DIAM. 6             | SPACER, SPLITTED, DIAM. 6                   |
| 011   | 018 | 25745               | RONDELLA PIANA DIAM.6                 | SPACER, FLAT, DIAM.6                        |
| 011   | 019 | 28880               | MADREVITE                             | NUT SCREW                                   |
| 011   | 020 | 25697               | VITE AUTOF.T/TCROCE 3,9X13 ZIG        | SELF-TAPPING SCREW CHEESE D747H.ROSS 3,9X13 |
| 011   | 021 | 25808               | FASCETTE STRINGITUBO 27-51CLAM        | HOSE CLIP 27-51CLAM                         |
| 011   | 022 | 31621               | RACCORDO POMPETTA SCARICO             | FITTING, DRAIN PUMP                         |
| 011   | 023 | 28226               | GUARNIZ.OR 3181 X PIPA SCARICO        | GASKET OR 3181 FOR DRAIN LUG                |
| 011   | 024 | 31637               | GHIERA CON GANCIO S/ZA CROCE          | CROSSLESS HOOK SLEEVE                       |
| 011   | 025 | 30425               | PILETTA ASPIRAZIONE                   | SUCTION PIPE UNION                          |
| 011   | 026 | 31948               | GUARNIZIONE OR                        | GASKET OR                                   |
| 011   | 027 | 25006               | GHIERA PILETTA ASP. P.                | NUT FO DRAIN SUCT. P.                       |
| 011   | 028 | 30839               | ANELLO FILTRO ANTIDEPOSITO            | RING, ANTICLOG FILTER                       |
| 011   | 029 | 31622               | FILTRO POMPETTA SCAR.                 | FILTER DRAIN PUMP                           |
| 011   | 030 | 25293               | TAPPINO IN GOMMA DIAM. 10             | PLUG RUBBER DIAM. 10                        |
| 011   | 031 | 31209               | DISCO GRIGLIATO FILTRO VASCA          | GRID DISC, TANK FILTER                      |
| 011   | 032 | 25684               | VITE AUTOFIL. TC 2,9X9,5 INOX         | SELF-TAPPING SCREW CHEESE-H. 2,9X9,5 SS     |
| 011   | 033 | 31210               | MANETTA DI TENUTA FILTRO VASCA        | HOLDING LEVER, TANK FILTER                  |
| 011   | 034 | 36180               | FILTRO VASCA PREM. APS x RICAMBI      | TANK FILTER PREASS. APS FOR SPARE PARTS     |
| 011   | 035 | 26907               | MANICOTTO ASPIRAZIONE 48-53           | SUCTION SLEEVE 48-53                        |
| 011   | 036 | 25809               | FASCETTA STRINGITUBO 40-64CLAM        | HOSE CLIP 40-64CLAM                         |
| 011   | 037 | 32311               | SONDA CURVATA A 60°                   | PROBE, 60° CURVED                           |
| 011   | 039 | 27155               | DADO IN PLASTICA 10 M                 | PLASTIC NUT10 M                             |
| 011   | 040 | 21094               | FILTRO ASPIRAZ.TURBO PREM.            | SUCTION FILTER TURBO PREASS.                |
| 011   | 041 | 35093               | POMPA SCAR.HANNING DPS 25 50hz        | DRAIN PUMP HANNING TYPE DPS 25              |
| 011   | 043 | 35113               | SQUADR.x POMPA SCAR. APS 53           | BRACKET, DRAIN PUMP APS 53                  |
| 011   | 044 | 31716               | FILTRO VASCA APS S/SOTTOFILTRO        | TANK FILTER                                 |
| 011   | 045 | 36552               | GIRANTE X POMPA SCARICO 31623         | IMPELLER for DRAIN PUMP 31623               |
| 011   | 046 | 35409               | TENUTAMECC.G.R.E.TIPO 000000D6        | SHAFT SEAL G.R.E.TYPE 000000D6              |
| 012   | 002 | 32027               | ELETTROPOMPA 3 GIRANTI HP 0,75        | WASH PUMP W/3 IMPELLERS 0,75 HP             |
| 012   | 004 | 32344               | TENUTA MECCANICA ROTANTE              | REVOLV.SHAFT SEAL                           |
| 012   | 005 | 33160               | ANELLO SEEGER X POMPA AP              | SNAP RING FOR PUMP HP                       |
| 012   | 006 | 32346               | GIRANTE ELETTROPOMPA A.P.             | IMPELLER WASH PUMP H.P.                     |
| 012   | 007 | 32345               | GIRANTE ELETTROPOMPA A P              | IMPELLER WASH PUMP H P                      |
| 012   | 008 | 32347               | DIFFUSORE ELETTROPOMPA A.P.           | DIFFUSER WASH PUMP H.P.                     |
| 012   | 009 | 32348               | SPANDIACQUA POMPA AP.                 | WATER DEFLECTOR HP                          |
| 012   | 010 | 32349               | DADO GIRANTE ELETTROP.A.P.            | NUT IMPELLER WASH PUMP H.P.                 |
| 012   | 012 | 25555               | CONDENSATORE UF 12,5-450 V            | CAPACITOR UF 12,5-450 V                     |
| 012   | 013 | 32589               | GUARNIZIONE OR DIFFUSORI AP           | GASKET OR, HP DIFFUSERS                     |
| 012   | 014 | 25809               | FASCETTA STRINGITUBO 40-64CLAM        | HOSE CLIP 40-64CLAM                         |
| 012   | 015 | 32055               | MANICOTTO X MAND.RACCORDO 90°         | STEM SLEEVE, 90° FITTING                    |
| 012   | 016 | 32721               | RACCORDO 90°FILET.POMPA 32X1,5        | FITTING 90°THREAD.PUMP 32X1,5               |
| 012   | 017 | 32601               | CORPO POMPA CPL DI COPERCHIO          | CPL PUMP HOUSING                            |
| 012   | 017 | 36178               | CORPO POMPA CPL DI COPERCHIOxALB.D.20 | CPL PUMP HOUSING RING 20                    |
| 012   | 018 | 32380               | CONDENSATORE 20 UF                    | CAPACITOR 20 UF                             |
| 012   | 019 | 33164               | RONDELLA PER POMPA AP                 | SPACER WASHER FOR PUMP HP                   |
| 012   | 020 | 33165               | GIRANTE BASSA                         | PUMPWHEEL, LOWER                            |
| 012   | 021 | 33166               | GIRANTE ALTA                          | PUMPWHEEL, UPPER                            |
| 012   | 022 | 33935               | DADO M10 SX INOX                      | NUT M10 LEFT SS                             |
| 012   | 023 | 33810               | TENUTA E CONTROFACCIA RID. BPF        | SHAFT SEAL AND GLIDING SURF.RID BPF         |
| 012   | 024 | 34471               | SEPARATORE X POMPE APS                | SEPARATOR FOR PUMP APS                      |
| 012   | 025 | 34775               | ANELLO X DIFFUSORE POMPE APS          | RING FOR PUMP DIFFUSER APS                  |
| 012   | 027 | 26907               | MANICOTTO ASPIRAZIONE 48-53           | SUCTION SLEEVE 48-53                        |
| 012   | 029 | 17943               | PIASTRA SUPP.POMPA APS 48             | PLATE PUMP HOLDER APS 48                    |
| 012   | 030 | 33556               | PIASTRA SUPP.POMPA APS 53             | SUPPORT PLATE, PUMP APS 53                  |
| 012   | 032 | 35286               | VENTOLA x POMPE APS                   | COOLING FAN FOR PUMPS APS                   |
| 012   | 033 | 35287               | COPRIVENTOLA X POMPA APS              | FAN COVER FOR PUMP APS                      |
| 012   | 034 | 36060               | FLANGIA x POMPA APS                   | FLANGE FOR PUMP, APS                        |
| 013   | 002 | 32027               | ELETTROPOMPA 3 GIRANTI HP 0,75        | WASH PUMP W/3 IMPELLERS 0,75 HP             |
| 013   | 003 | 33810               | TENUTA E CONTROFACCIA RID. BPF        | SHAFT SEAL AND GLIDING SURF.RID BPF         |
| 013   | 004 | 33166               | GIRANTE ALTA                          | PUMPWHEEL, UPPER                            |

| Seite | Pos | Kreditor Artikel Nr. | IT                                     | GB  |
|-------|-----|----------------------|--|---|
| 013   | 005 | 33160                | ANELLO SEEGER X POMPA AP               | SNAP RING FOR PUMP HP                       |
| 013   | 006 | 36178                | CORPO POMPA CPL DI COPERCHIO AL 3 D 20 | CPL PUMP HOUSING RING Ø 20                  |
| 013   | 006 | 32601                | CORPO POMPA CPL DI COPERCHIO           | CPL PUMP HOUSING                            |
| 013   | 007 | 32721                | RACCORDO 90°FILET.POMPA 32X1,5         | FITTING 90°THREAD.PUMP 32X1,5               |
| 013   | 008 | 32347                | DIFFUSORE ELETROPOMPA A.P.             | DIFFUSER WASH PUMP H.P.                     |
| 013   | 009 | 32348                | SPANDIACQUA POMPA AP.                  | WATER DEFLECTOR HP                          |
| 013   | 010 | 33935                | DADO M10 SX INOX                       | NUT M10 LEFT SS                             |
| 013   | 011 | 34775                | ANELLO X DIFFUSORE POMPE APS           | RING FOR PUMP DIFFUSER APS                  |
| 013   | 012 | 25555                | CONDENSATORE UF 12,5-450V              | CAPACITOR UF 12,5 450V                      |
| 013   | 013 | 32589                | GUARNIZIONE OR DIFFUSORI AP            | GASKET OR, HP DIFFUSERS                     |
| 013   | 014 | 25809                | FASCETTA STRINGITUBO 40-64CLAM         | HOSE CLIP 40-64CLAM                         |
| 013   | 015 | 32055                | MANICOTTO X MAND.RACCORDO 90°          | STEM SLEEVE, 90° FITTING                    |
| 013   | 016 | 33165                | GIRANTE BASSA                          | PUMPWHEEL, LOWER                            |
| 013   | 017 | 34471                | SEPARATORE X POMPE APS                 | SEPARATOR FOR PUMP APS                      |
| 013   | 018 | 36060                | FLANGIA x POMPA APS                    | FLANGE FOR PUMP, APS                        |
| 014   | 001 | 30933                | ELETTROVALVOLA SING. 3/4"              | SOLENOID VALVE SING. 3/4"                   |
| 014   | 002 | 25235                | TUBO DI CARICO 3/4" 60 ATE             | INLET HOSE 3/4" 60 ATE                      |
| 014   | 003 | 25269                | GUARNIZIONE PIATTA                     | FLAT GASKET                                 |
| 014   | 004 | 26981                | FILTRO X ELETTROVALV.T/N               | FILTER X SOLENOID V.T/N                     |
| 014   | 005 | 25743                | RONDELLA PIANA DIAM. 4                 | SPACER, FLAT, DIAM. 4                       |
| 014   | 006 | 25700                | VITE TC 4 X 8 CON ZIGRINATURA          | SCREW CHEESE-H. 4 X 8 KNURLED               |
| 014   | 007 | 17580                | SQUADRETTA ELETTROV.43/60              | HOLDER SOLENOID VALVE 43/60                 |
| 014   | 008 | 25803                | FASCETTA STRINGITUBO 13-20 ABA         | HOSE CLIP 13-20 ABA                         |
| 014   | 009 | 00182                | TUBO GOMMA 11X19 CASER/15"BLU"         | HOSE 11X19 CASER/15"BLUE"                   |
| 014   | 010 | 25774                | DADO 5 MA                              | NUTS 5 MA                                   |
| 014   | 011 | 25744                | RONDELLA PIANA DIAM.5                  | SPACER, FLAT, DIAM.5                        |
| 014   | 012 | 25783                | DADO 10 MA                             | NUT 10 MA                                   |
| 014   | 013 | 25266                | GUARNIZIONE PIATTA 18 X 10 X 2         | FLAT GASKET 18 X 10 X 2                     |
| 014   | 014 | 18472                | RACCORDO INIEZIONE DETERS.AP           | FITTING INJECT. DETERGENT AP                |
| 014   | 015 | 00540                | TUBETTO ROSSO 4x7 IN ROTOLO            | RED TUBE 8X4 ROLL                           |
| 014   | 016 | 30687                | PRESSOSTATO-INTERRUT. LVL N.C.         | PRESSURE SWITCH LVL N.C.                    |
| 014   | 017 | 16445                | SQUADRETTA FISS.PRESSOSTATI SR         | FIX.SQUARE FOR PRESS.GAUGES SR              |
| 014   | 018 | 00166                | TUBETTO TRASP. 4x7 IN ROTOLO           | ROLL TUBE TRANSP. 4X7                       |
| 014   | 019 | 25092                | MANOPOLA NERA INDICE BIANCO            | HANDLE, BLACK WHITE INDEX                   |
| 014   | 020 | 17955                | SQUADRETTA DOPPIA TERMOSTATI           | DOUBLE SQUARE FOR PRESS.GAUGES              |
| 014   | 021 | 25417                | TERMOSTATO 30-90° MT. 2                | THERMOSTAT 30-90° MT. 2                     |
| 014   | 022 | 28880                | MADREVITE                              | NUT SCREW                                   |
| 014   | 024 | 25697                | VITE AUTOF.T/TCROCE 3,9X13 ZIG         | SELF-TAPPING SCREW CHEESE D747H.ROSS 3,9X13 |
| 014   | 025 | 25576                | CAVALLOTTO L=170 MMQ 2,5 ROSSO         | JUMPER L=170, 2,5 mm2, RED                  |
| 014   | 026 | 25575                | CAVALLOTTO L=100 MMQ 2,5 BLEU          | JUMPER L=100, 2,5 mm2 BLUE                  |
| 014   | 027 | 25357                | RESISTENZA BOLL.4000W 230V             | HEATING ELEM. BOOST.4000W 230V              |
| 014   | 028 | 25768                | RONDELLA SPACCATA DIAM.8               | SPACER SPLITTED DIAM. 8                     |
| 014   | 029 | 25782                | DADO 8 MA                              | NUT 8 MA                                    |
| 014   | 031 | 22036                | BOLLITORE X RICAMBIO APS 53-60         | BOILER X SPARE PART APS 53-60               |
| 014   | 032 | 25274                | GUARNIZIONE PIATTA 12 X 6 X 2          | FLAT GASKET 12 X 6 X 2                      |
| 014   | 033 | 26863                | VITE TE 6 X 8 INOX                     | HEX HD SCREW 6 X 8 STAINLESS S.             |
| 014   | 034 | 25786                | DADO M 6 OTTONE 5588                   | NUTS M 6 BRASS 5588                         |
| 014   | 035 | 25771                | RONDELLA PIANA DIAM. 6 OTTONE          | SPACER , FLAT, DIAM. 6 BRASS                |
| 014   | 036 | 25750                | RONDELLA SPACCATA DIAM. 6              | SPACER, SPLITTED, DIAM. 6                   |
| 014   | 037 | 25713                | VITE TE 6 X 10 INOX                    | SCREW HEX.HD 6 X 10 SS                      |
| 014   | 038 | 28442                | FASCETTA A FILO                        | WIRE CLIP                                   |
| 014   | 039 | 33402                | GUARN. OR 6X56X68                      | GASKET OR 6X56X68                           |
| 015   | 001 | 30933                | ELETTROVALVOLA SING. 3/4"              | SOLENOID VALVE SING. 3/4"                   |
| 015   | 002 | 25235                | TUBO DI CARICO 3/4" 60 ATE             | INLET HOSE 3/4" 60 ATE                      |
| 015   | 003 | 25269                | GUARNIZIONE PIATTA                     | FLAT GASKET                                 |
| 015   | 004 | 26981                | FILTRO X ELETTROVALV.T/N               | FILTER X SOLENOID V.T/N                     |
| 015   | 005 | 25743                | RONDELLA PIANA DIAM. 4                 | SPACER, FLAT, DIAM. 4                       |
| 015   | 006 | 25700                | VITE TC 4 X 8 CON ZIGRINATURA          | SCREW CHEESE-H. 4 X 8 KNURLED               |
| 015   | 007 | 17580                | SQUADRETTA ELETTROV.43/60              | HOLDER SOLENOID VALVE 43/60                 |
| 015   | 008 | 25803                | FASCETTA STRINGITUBO 13-20 ABA         | HOSE CLIP 13-20 ABA                         |
| 015   | 009 | 00182                | TUBO GOMMA 11X19 CASER/15"BLU"         | HOSE 11X19 CASER/15"BLUE"                   |
| 015   | 010 | 25774                | DADO 5 MA                              | NUTS 5 MA                                   |
| 015   | 011 | 25744                | RONDELLA PIANA DIAM.5                  | SPACER, FLAT, DIAM.5                        |
| 015   | 012 | 25783                | DADO 10 MA                             | NUT 10 MA                                   |
| 015   | 013 | 25266                | GUARNIZIONE PIATTA 18 X 10 X 2         | FLAT GASKET 18 X 10 X 2                     |
| 015   | 014 | 18472                | RACCORDO INIEZIONE DETERS.AP           | FITTING INJECT. DETERGENT AP                |
| 015   | 015 | 00540                | TUBETTO ROSSO 4x7 IN ROTOLO            | RED TUBE 8X4 ROLL                           |
| 015   | 016 | 30687                | PRESSOSTATO-INTERRUT. LVL N.C.         | PRESSURE SWITCH LVL N.C.                    |
| 015   | 017 | 16445                | SQUADRETTA FISS.PRESSOSTATI SR         | FIX.SQUARE FOR PRESS.GAUGES SR              |



| Seite | Pos | Kreditor Artikel Nr. | IT                             | GB  |
|-------|-----|----------------------|--------------------------------|---|
| 015   | 018 | 00166                | TUBETTO TRASP. 4x7 IN ROTOLO   | ROLL TUBE TRANSP. 4X7                       |
| 015   | 019 | 33332                | SQUADRETTA FISS. BOLLITORE APS | FIX BRACKET, BOILER APS                     |
| 015   | 020 | 17582                | SQUADRETTA TERMOSTATO 43/60    | HOLDER THERMOSTAT 43/60                     |
| 015   | 021 | 33745                | LIMITATORE 110° RIARMO MANUALE | LIMITER 110° MANUAL RESET                   |
| 015   | 022 | 28880                | MADREVITE                      | NUT SCREW                                   |
| 015   | 023 | 33402                | GUARN. OR 6X56X68              | GASKET OR 6X56X68                           |
| 015   | 024 | 25697                | VITE AUTOF.T/TCROCE 3,9X13 ZIG | SELF-TAPPING SCREW CHEESE D747H.ROSS 3,9X13 |
| 015   | 025 | 25576                | CAVALLOTTO L=170 MMQ 2,5 ROSSO | JUMPER L=170, 2,5 mm2, RED                  |
| 015   | 026 | 25575                | CAVALLOTTO L=100 MMQ 2,5 BLU   | JUMPER L=100, 2,5 mm2, BLUE                 |
| 015   | 027 | 25357                | RESISTENZA BOLL.4000W 230V     | HEATING ELEM. BOOST.4000W 230V              |
| 015   | 028 | 25768                | RONDELLA SPACCATA DIAM.8       | SPACER SPLITTED DIAM. 8                     |
| 015   | 029 | 25782                | DADO 8 MA                      | NUT 8 MA                                    |
| 015   | 032 | 25274                | GUARNIZIONE PIATTA 12 X 6 X 2  | FLAT GASKET 12 X 6 X 2                      |
| 015   | 033 | 26863                | VITE TE 6 X 8 INOX             | HEX HD SCREW 6 X 8 STAINLESS S.             |
| 015   | 034 | 28442                | FASCETTA A FILO                | WIRE CLIP                                   |
| 015   | 035 | 25745                | RONDELLA PIANA DIAM.6          | SPACER, FLAT, DIAM.6                        |
| 015   | 036 | 25750                | RONDELLA SPACCATA DIAM. 6      | SPACER, SPLITTED, DIAM. 6                   |
| 015   | 037 | 29655                | RESISTENZA BOLL.5000W-230/400V | HEATING ELEM. BOOST.5000 W-220/380          |
| 015   | 038 | 25775                | DADO 6 MA                      | NUT 6 MA                                    |
| 015   | 040 | 35057                | BOLLITORE CIL. (RIC) APS 53-60 | BOILER CYL. SPARE APS 53-60                 |
| 016   | 001 | 30933                | ELETTROVALVOLA SING. 3/4"      | SOLENOID VALVE SING. 3/4"                   |
| 016   | 002 | 25235                | TUBO DI CARICO 3/4" 60 ATE     | INLET HOSE 3/4" 60 ATE                      |
| 016   | 003 | 25269                | GUARNIZIONE PIATTA             | FLAT GASKET                                 |
| 016   | 004 | 26981                | FILTRO X ELETTROVALV.T/N       | FILTER X SOLENOID V.T/N                     |
| 016   | 005 | 25743                | RONDELLA PIANA DIAM. 4         | SPACER, FLAT, DIAM. 4                       |
| 016   | 006 | 25700                | VITE TC 4 X 8 CON ZIGRINATURA  | SCREW CHEESE-H. 4 X 8 KNURLED               |
| 016   | 007 | 17580                | SQUADRETTA ELETTROV.43/60      | HOLDER SOLENOID VALVE 43/60                 |
| 016   | 008 | 25803                | FASCETTA STRINGITUBO 13-20 ABA | HOSE CLIP 13-20 ABA                         |
| 016   | 009 | 00182                | TUBO GOMMA 11X19 CASER/15"BLU" | HOSE 11X19 CASER/15"BLUE"                   |
| 016   | 010 | 25774                | DADO 5 MA                      | NUTS 5 MA                                   |
| 016   | 011 | 25744                | RONDELLA PIANA DIAM.5          | SPACER, FLAT, DIAM.5                        |
| 016   | 012 | 25783                | DADO 10 MA                     | NUT 10 MA                                   |
| 016   | 013 | 25266                | GUARNIZIONE PIATTA 18 X 10 X 2 | FLAT GASKET 18 X 10 X 2                     |
| 016   | 014 | 18472                | RACCORDO INIEZIONE DETERS.AP   | FITTING INJECT. DETERGENT AP                |
| 016   | 015 | 00540                | TUBETTO ROSSO 4x7 IN ROTOLO    | RED TUBE 8X4 ROLL                           |
| 016   | 016 | 30687                | PRESSOSTATO-INTERRUT. LVL N.C. | PRESSURE SWITCH LVL N.C.                    |
| 016   | 017 | 16445                | SQUADRETTA FISS.PRESSOSTATI SR | FIX.SQUARE FOR PRESS.GAUGES SR              |
| 016   | 018 | 00166                | TUBETTO TRASP. 4x7 IN ROTOLO   | ROLL TUBE TRANSP. 4X7                       |
| 016   | 019 | 33332                | SQUADRETTA FISS. BOLLITORE APS | FIX.BRACKET, BOILER APS                     |
| 016   | 020 | 17582                | SQUADRETTA TERMOSTATO 43/60    | HOLDER THERMOSTAT 43/60                     |
| 016   | 021 | 33745                | LIMITATORE 110° RIARMO MANUALE | LIMITER 110° MANUAL RESET                   |
| 016   | 022 | 28880                | MADREVITE                      | NUT SCREW                                   |
| 016   | 023 | 29938                | GUARNIZIONE OR 6150            | GASKET OR 6150                              |
| 016   | 024 | 25697                | VITE AUTOF.T/TCROCE 3,9X13 ZIG | SELF-TAPPING SCREW CHEESE D747H.ROSS 3,9X13 |
| 016   | 028 | 25768                | RONDELLA SPACCATA DIAM.8       | SPACER SPLITTED DIAM. 8                     |
| 016   | 029 | 25782                | DADO 8 MA                      | NUT 8 MA                                    |
| 016   | 032 | 25274                | GUARNIZIONE PIATTA 12 X 6 X 2  | FLAT GASKET 12 X 6 X 2                      |
| 016   | 033 | 26863                | VITE TE 6 X 8 INOX             | HEX HD SCREW 6 X 8 STAINLESS S.             |
| 016   | 034 | 28442                | FASCETTA A FILO                | WIRE CLIP                                   |
| 016   | 034 | 25745                | RONDELLA PIANA DIAM.6          | SPACER, FLAT, DIAM.6                        |
| 016   | 035 | 25750                | RONDELLA SPACCATA DIAM. 6      | SPACER, SPLITTED, DIAM. 6                   |
| 016   | 036 | 29655                | RESISTENZA BOLL.5000W-230/400V | HEATING ELEM. BOOST.5000 W-220/380          |
| 016   | 037 | 25775                | DADO 6 MA                      | NUT 6 MA                                    |
| 016   | 038 | 35056                | BOLLITORE CIL. (RIC) APS 43-48 | BOILER CYL.,SPARE APS 43-48                 |
| 016   | 040 | 35057                | BOLLITORE CIL. (RIC) APS 53-60 | BOILER CYL. SPARE APS 53-60                 |
| 016   | 041 | 36432                | PROTEZ.TERMOST.SIC.APS/C81/C90 | SAF. THERMOSTAT PROTECT. APS/C81/C90        |
| 017   | 001 | 22060                | DOSATORE BRILL.PREM."GIALLO"1° | RINSE AID DISP.PREASS."YELLOW"1ø            |
| 017   | 002 | 25046                | CORPO DOSATORE SUPER.          | UPPER DISPENSER ASSEMBLY                    |
| 017   | 003 | 25047                | CORPO DOSATORE INFER.          | LOWER DISPENSER ASSEMBLY                    |
| 017   | 004 | 25697                | VITE AUTOF.T/TCROCE 3,9X13 ZIG | SELF-TAPPING SCREW CHEESE D747H.ROSS 3,9X13 |
| 017   | 005 | 18394                | VITE REGOLAZ.DOSATORE          | SCREW CONTROL DISPENSER                     |
| 017   | 006 | 25251                | GUARNIZIONE OR 2012            | GASKET OR 2012                              |
| 017   | 007 | 32243                | GUARNIZIONE OR 3156            | GASKET OR 3156                              |
| 017   | 008 | 25818                | MOLLA CILINDRICA (FILO)        | CYLINDER SPRING (WIRE)                      |
| 017   | 009 | 31991                | GUIDA MOLLA DOSATORE           | SPRING GUIDE FOR DISPENSER                  |
| 017   | 010 | 31596                | MEMBRANA DOSATORE              | DIAPHRAGM, DISPENSER                        |
| 017   | 011 | 32084                | KIT RACCORDI VALV.ASP/MAN.BRIL | FITTING KIT, SUCT/DELIV.VLV RINSE AGENT     |
| 017   | 013 | 32831                | GUARNIZIONE OR 2062            | GASKET OR 2062                              |
| 017   | 014 | 25211                | VALVOLINA MAND.-ASPIRAZ.DOSAT. | NON RETURN VALVE RINSE AID DISP.            |

| Seite | Pos | Kredtor Artikel Nr. | IT                             | GB                               |
|-------|-----|---------------------|--------------------------------|----------------------------------|
| 017   | 015 | 25757               | RONDELLA DENTEL. DIAM. 12 D.E. | TOOTHED SPACER DIAM. 12 D.E.D787 |
| 017   | 016 | 15229               | DADO FISS. DOSATORE            | LOCK NUT AND DISPENSER           |
| 017   | 017 | 28442               | FASCETTA A FILO                | WIRE CLIP                        |
| 017   | 018 | 15228               | GHIERA FISS.TUBETTO BRIL.RIL.  | RING FOR RINSING SOLUTION TUBE   |
| 017   | 019 | 25803               | FASCETTA STRINGITUBO 13-20 ABA | HOSE CLIP 13-20 ABA              |
| 017   | 020 | 34779               | TUBETTO 6X4 KYNARFLEX -PVDF    | TUBE 6X4 KYNARFLEX -PVDF         |
| 017   | 021 | 00166               | TUBETTO TRASP. 4x7 IN ROTOLO   | ROLL TUBE TRANSP. 4X7            |
| 017   | 022 | 00182               | TUBO GOMMA 11X19 CASER/15"BLU" | HOSE 11X19 CASER/15"BLUE"        |
| 017   | 023 | 31945               | TANICA BRILLANTANTE CON TAPPO  | RINSE AID CONTAINER WITH PLUG    |
| 017   | 024 | 18750               | SQUADRETTA DOSATORE BRILL.     | SQUARE, RINSE AGENT DISPENSER    |
| 017   | 025 | 31171               | PRESSOSTATO TAR. 28/12+-3      | PRESSURE SWITCH, RATED 28/12+-3  |
| 017   | 026 | 00181               | TUBETTO PRESS.SILICONE 4x7     | SILICONE PRESSURE TUBE 4x7       |
| 017   | 027 | 25011               | CALOTTA X TRAPPOLA ARIA        | COVER X AIR TRAP                 |
| 017   | 028 | 25239               | GUARN. OR PB 701 3112 x TRAPP. | GASKET OR PB 701 3112 x AIR TRAP |
| 017   | 029 | 25263               | GUARN. PIATTA 38 X 25 X 2 TRAP | FLAT GASKET 38 X 25 X 2 A.TRAP   |
| 017   | 030 | 29640               | RACCORDO DI ASPIRAZ. POMPA SR  | SUCTION FITTING FOR PUMP SR      |