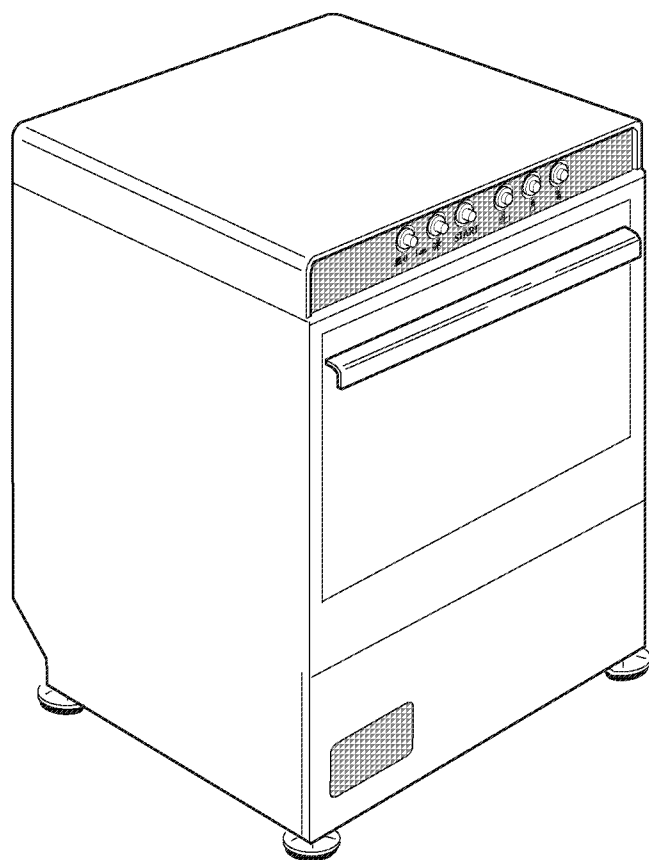


**CATALOGO RICAMBI
SPARE PARTS
PIECES DETACHEES
ERSATZTEILE
LISTA DE RECAMBIOS**

Зип Общепит

vsezip.ru

+7(812)987-08-81



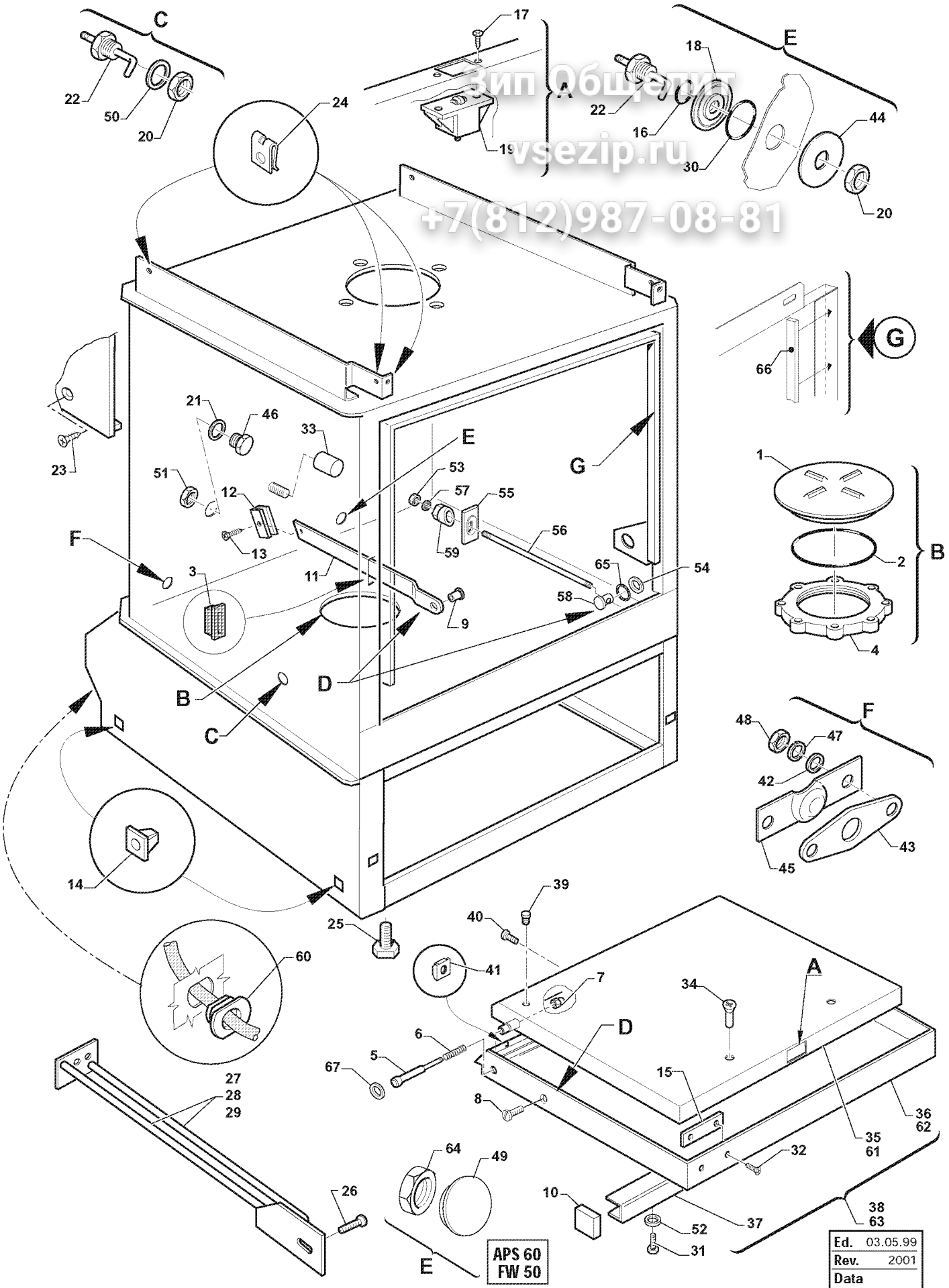
**Lavastoviglie
Lavevaisselle
Geschirrspüler
Dishwashers
Lavavajillas**

APS - FW

Ed. 03.05.99
Rev. 2001

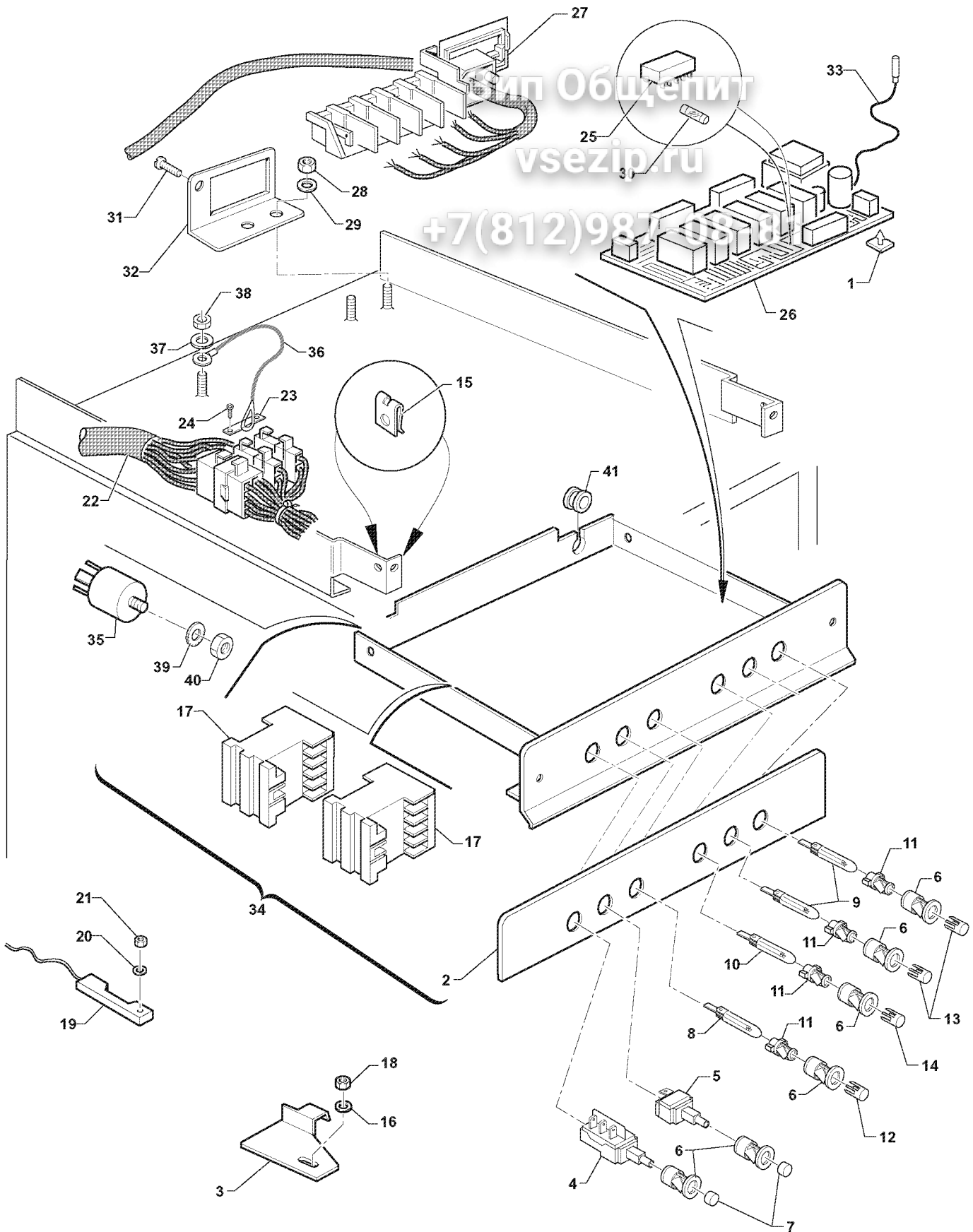
Вип Общежит
vsezip.ru

+7(812)987-08-81

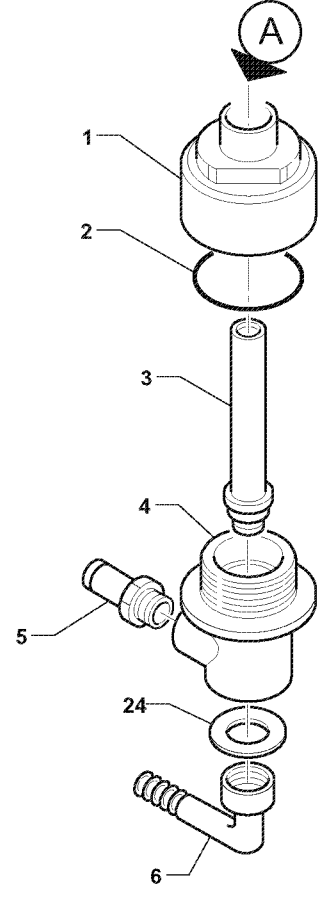
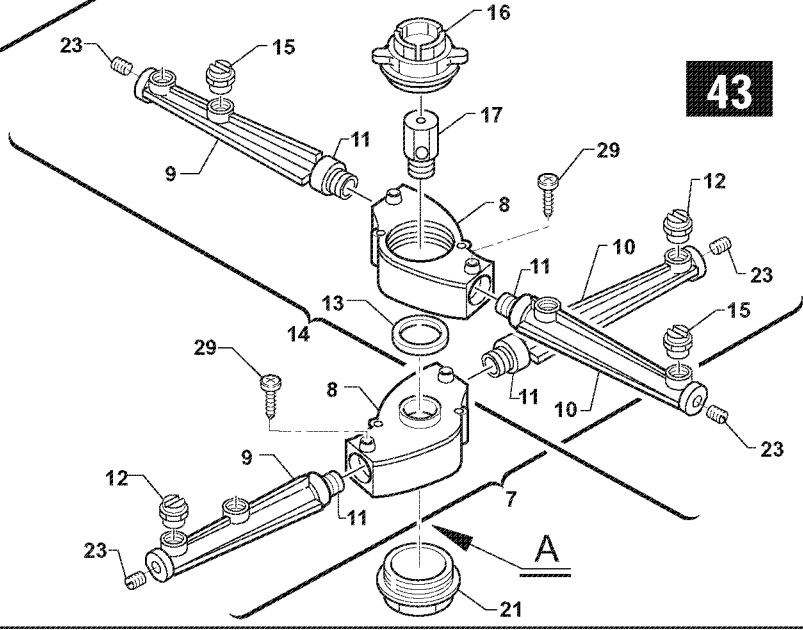
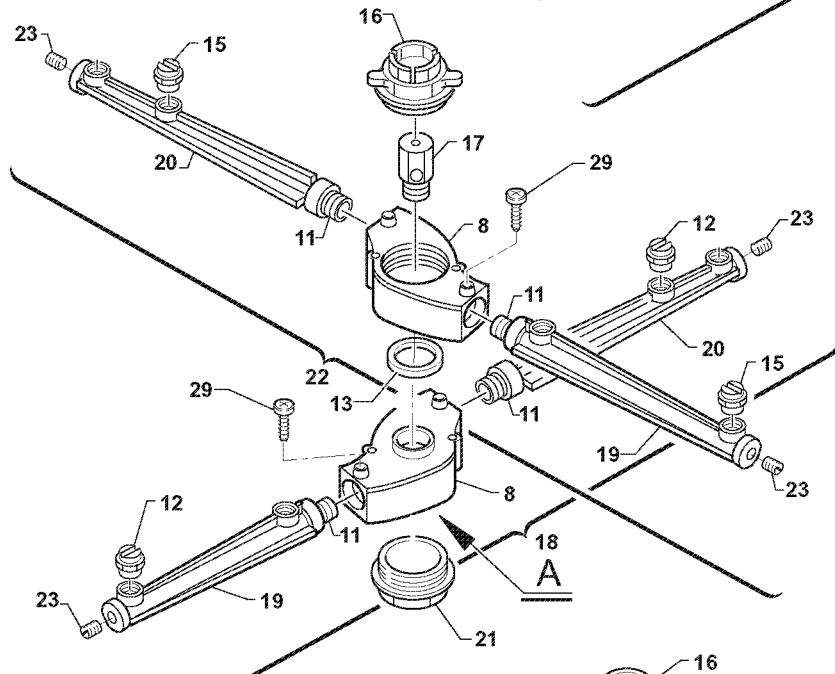
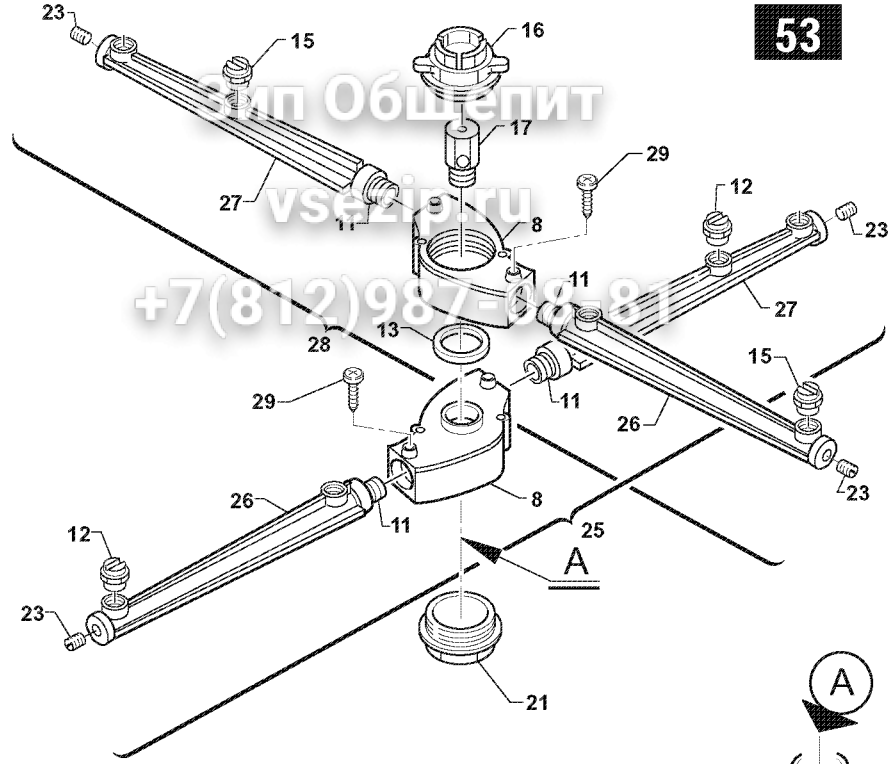


APS 60
FW 50

| | |
|------|----------|
| Ed. | 03.05.99 |
| Rev. | 2001 |
| Data | |

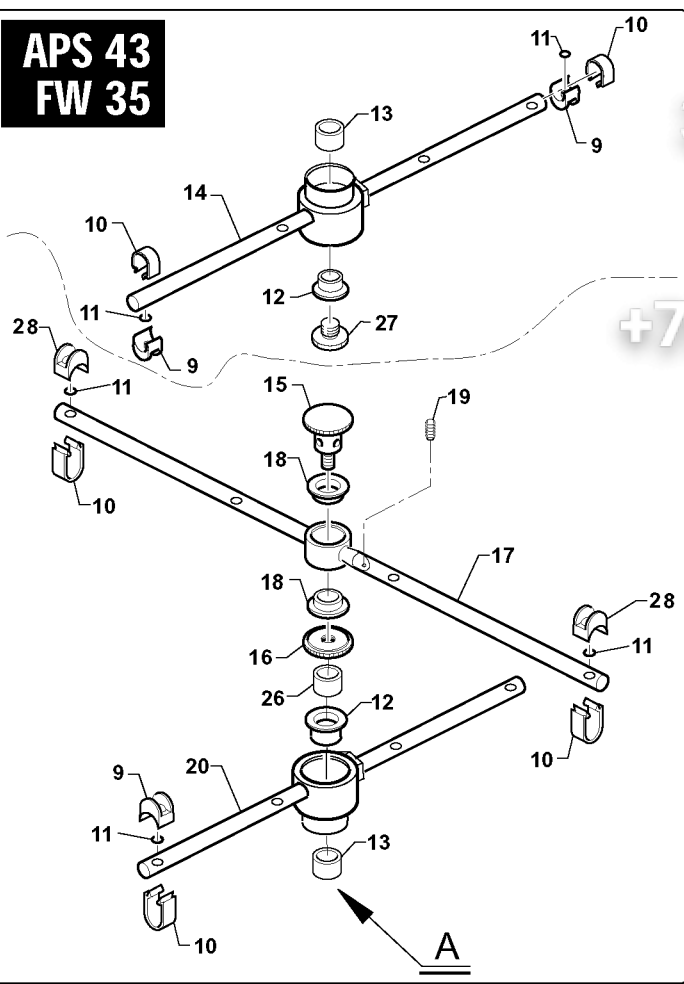


| | |
|------|----------|
| Ed. | 13.06.00 |
| Rev. | 2001 |
| Data | |

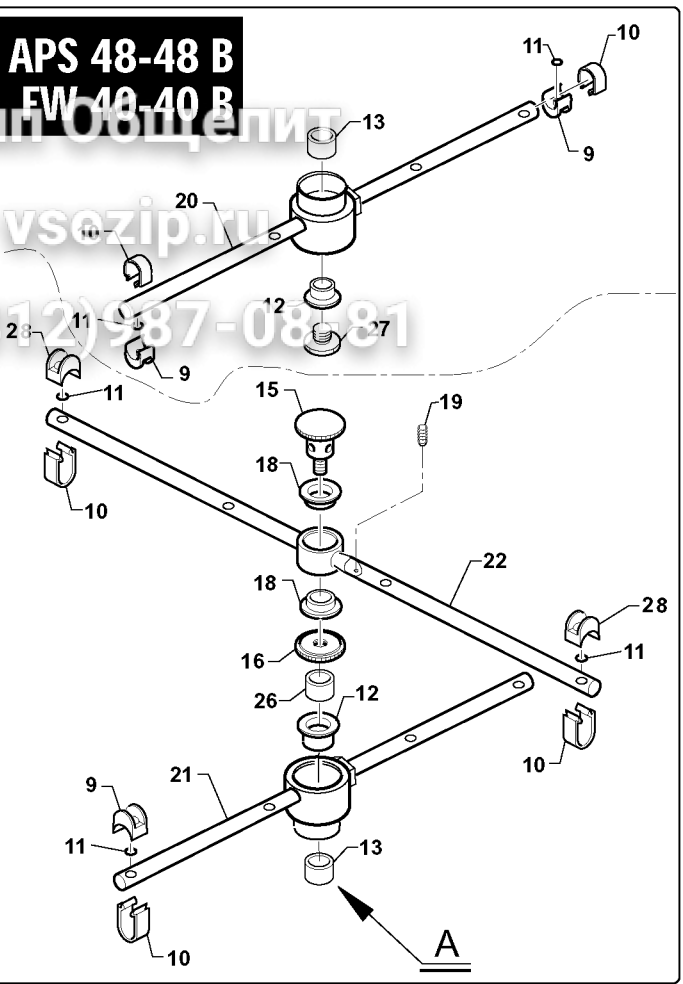


| | |
|------|----------|
| Ed. | 03.05.99 |
| Rev. | 2001 |
| Data | |

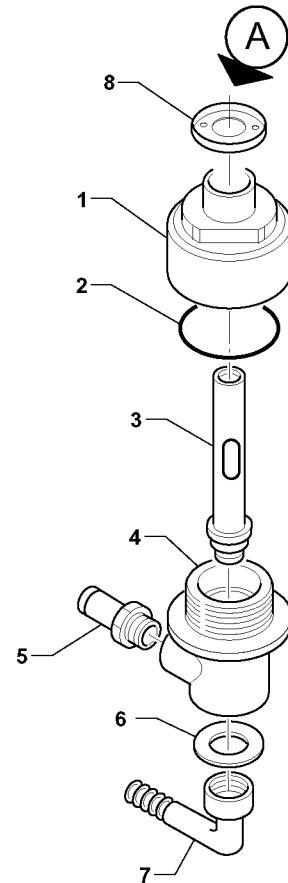
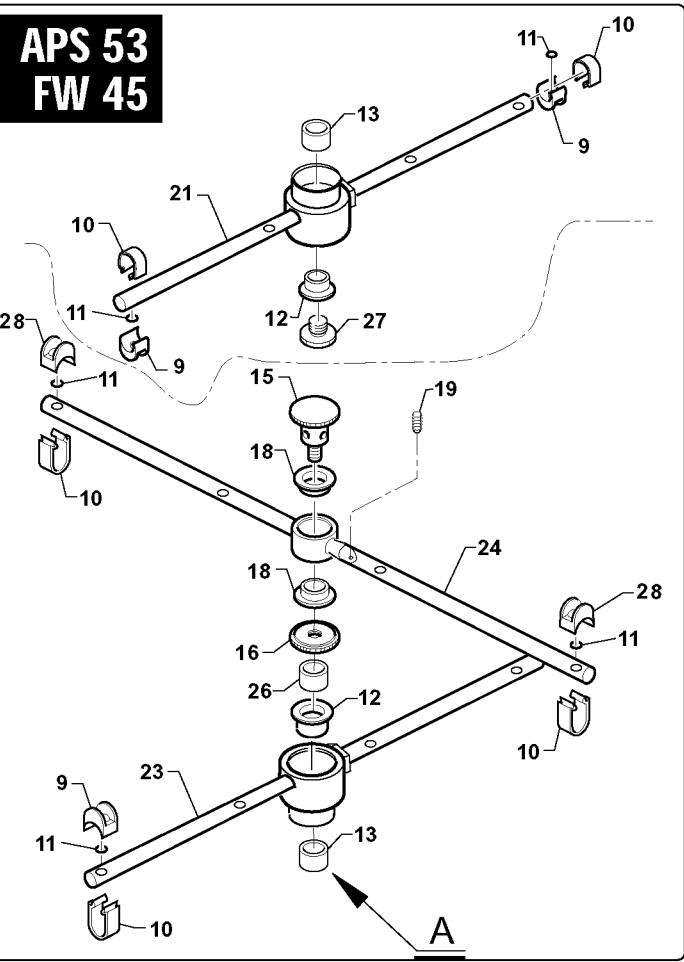
**APS 43
FW 35**



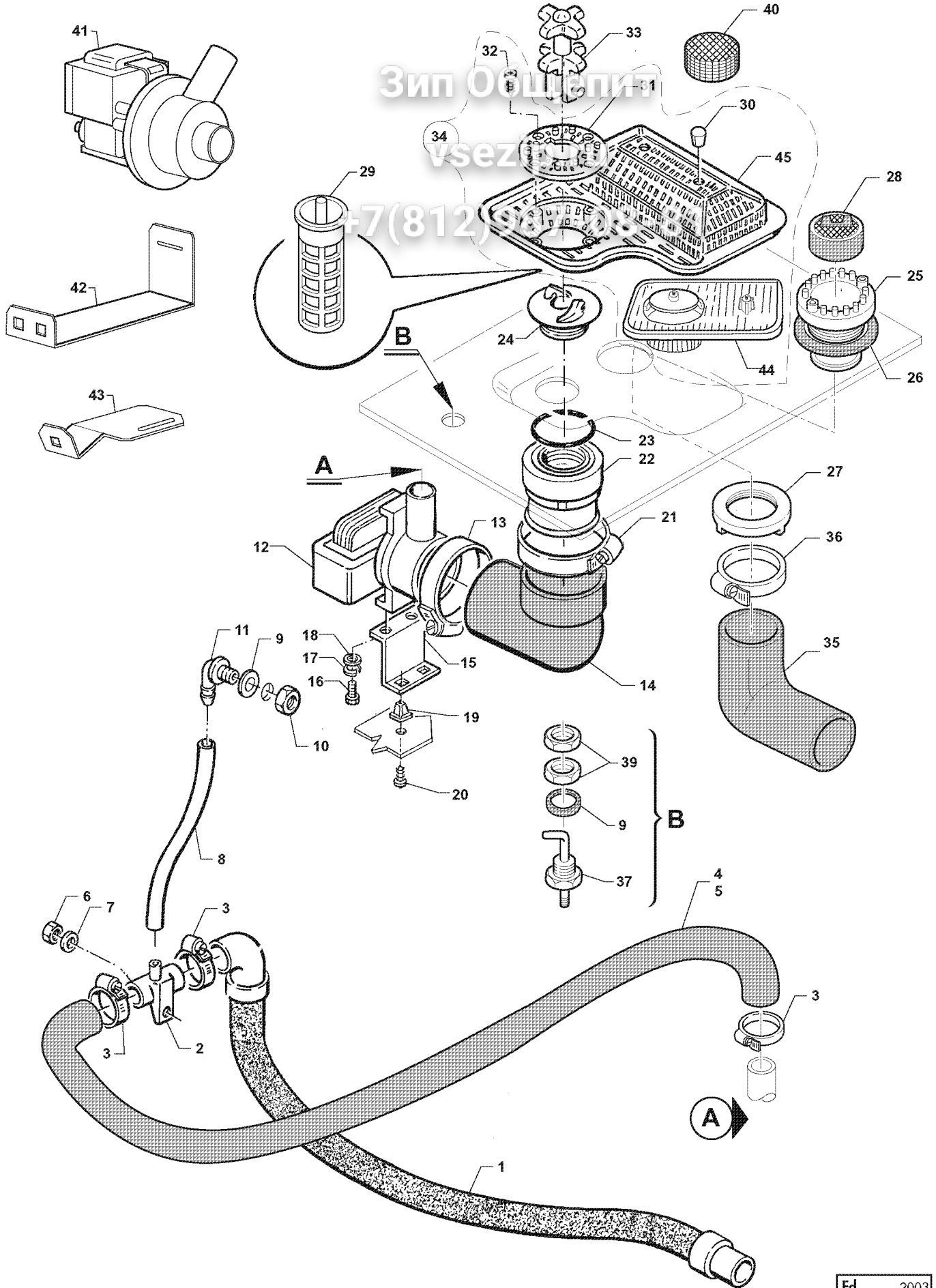
**APS 48-48 B
FW 40-40 B**



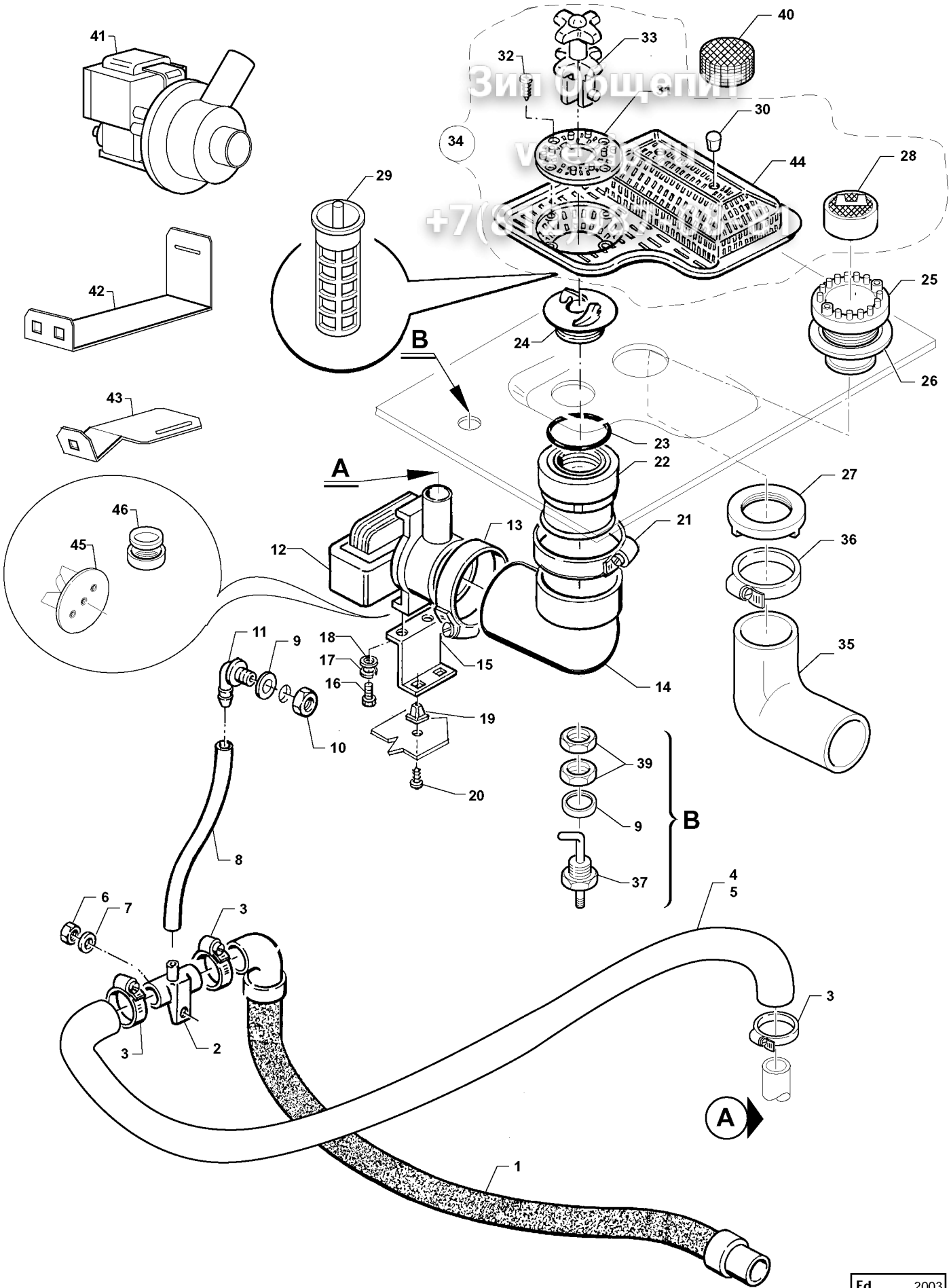
**APS 53
FW 45**



| | |
|------|---------|
| Ed. | 01/2004 |
| Rev. | |
| Data | |

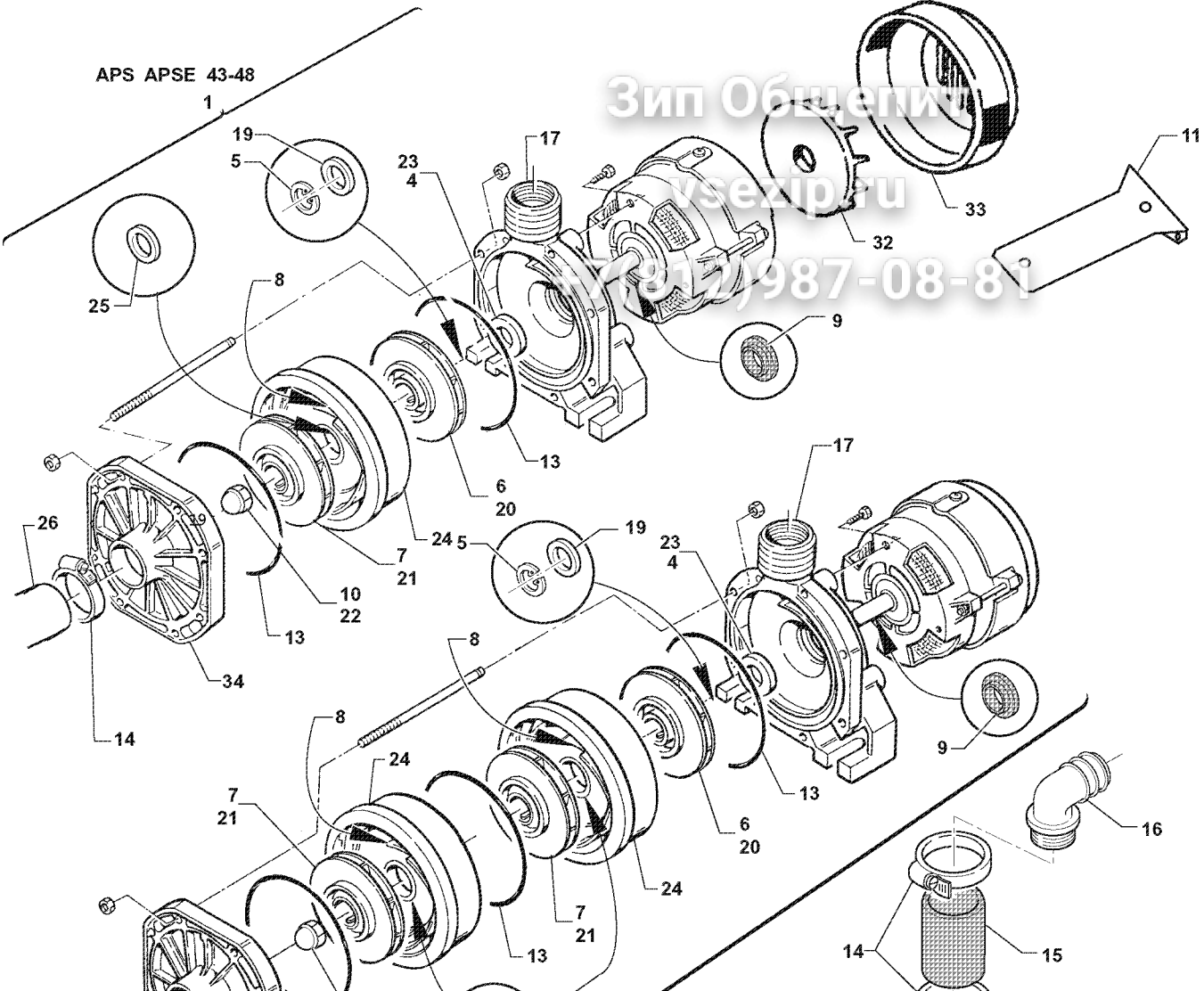


| | |
|------|------|
| Ed. | 2003 |
| Rev. | |
| Data | |

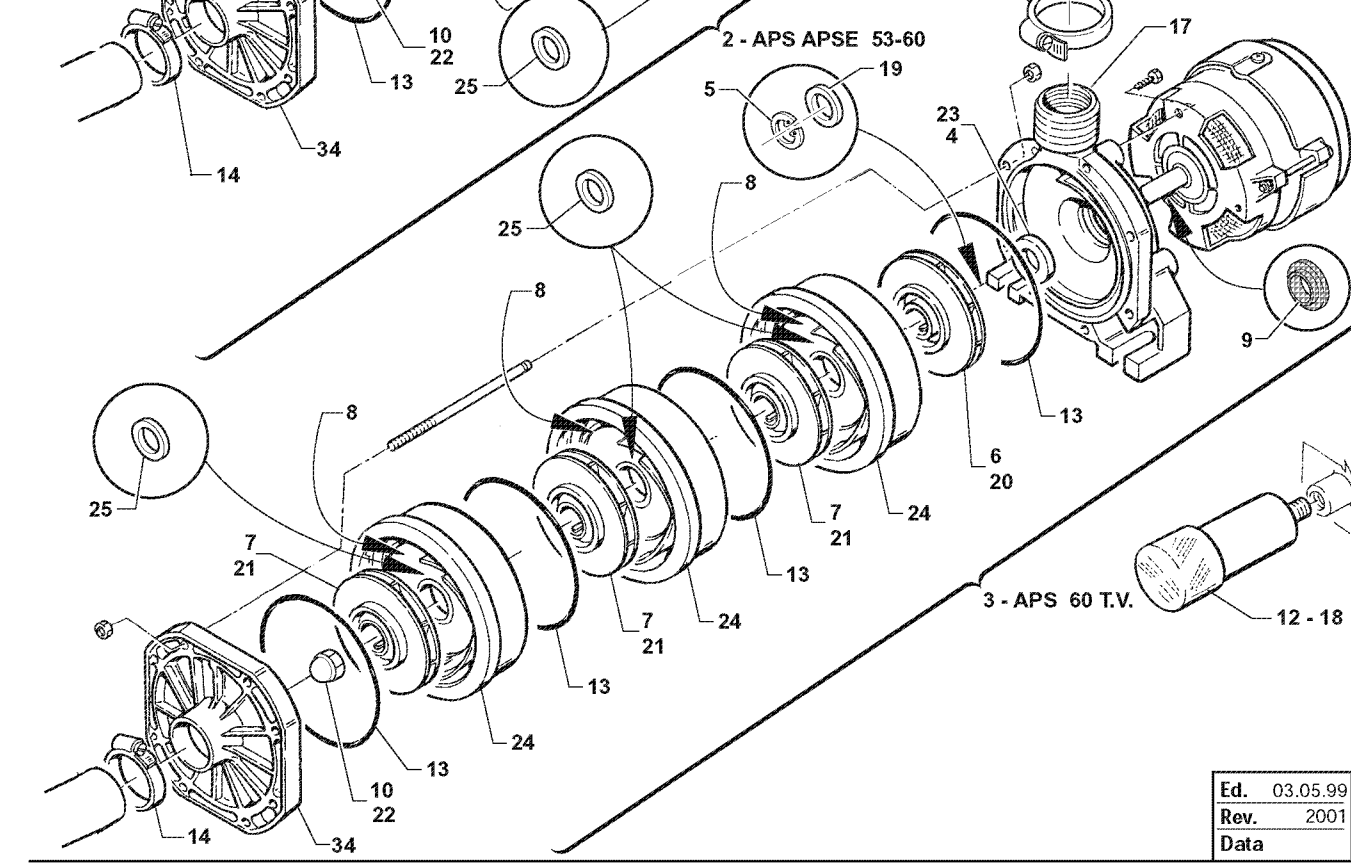


| | |
|------|------|
| Ed. | 2003 |
| Rev. | |
| Data | |

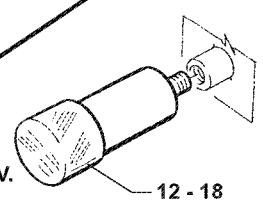
APS APSE 43-48



2 - APS APSE 53-60



3 - APS 60 T.V.

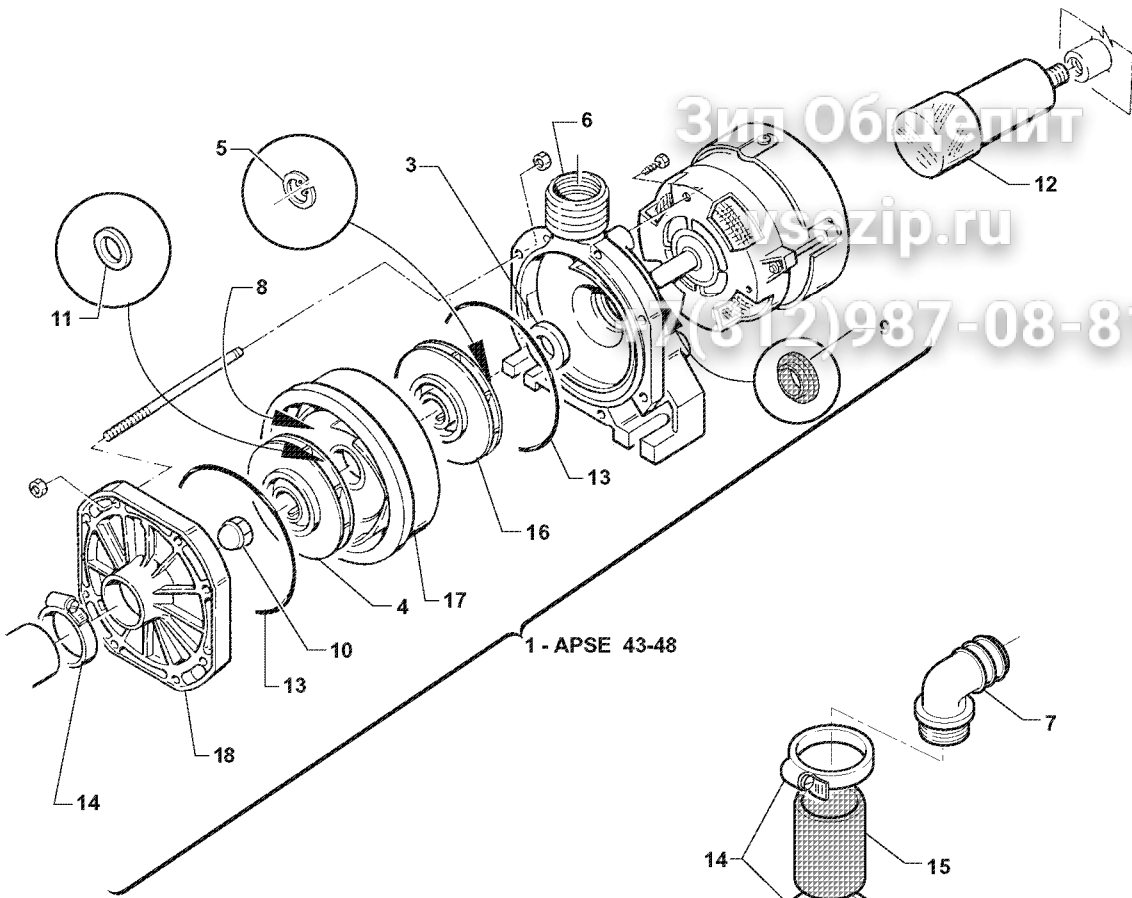


| | |
|------|----------|
| Ed. | 03.05.99 |
| Rev. | 2001 |
| Data | |

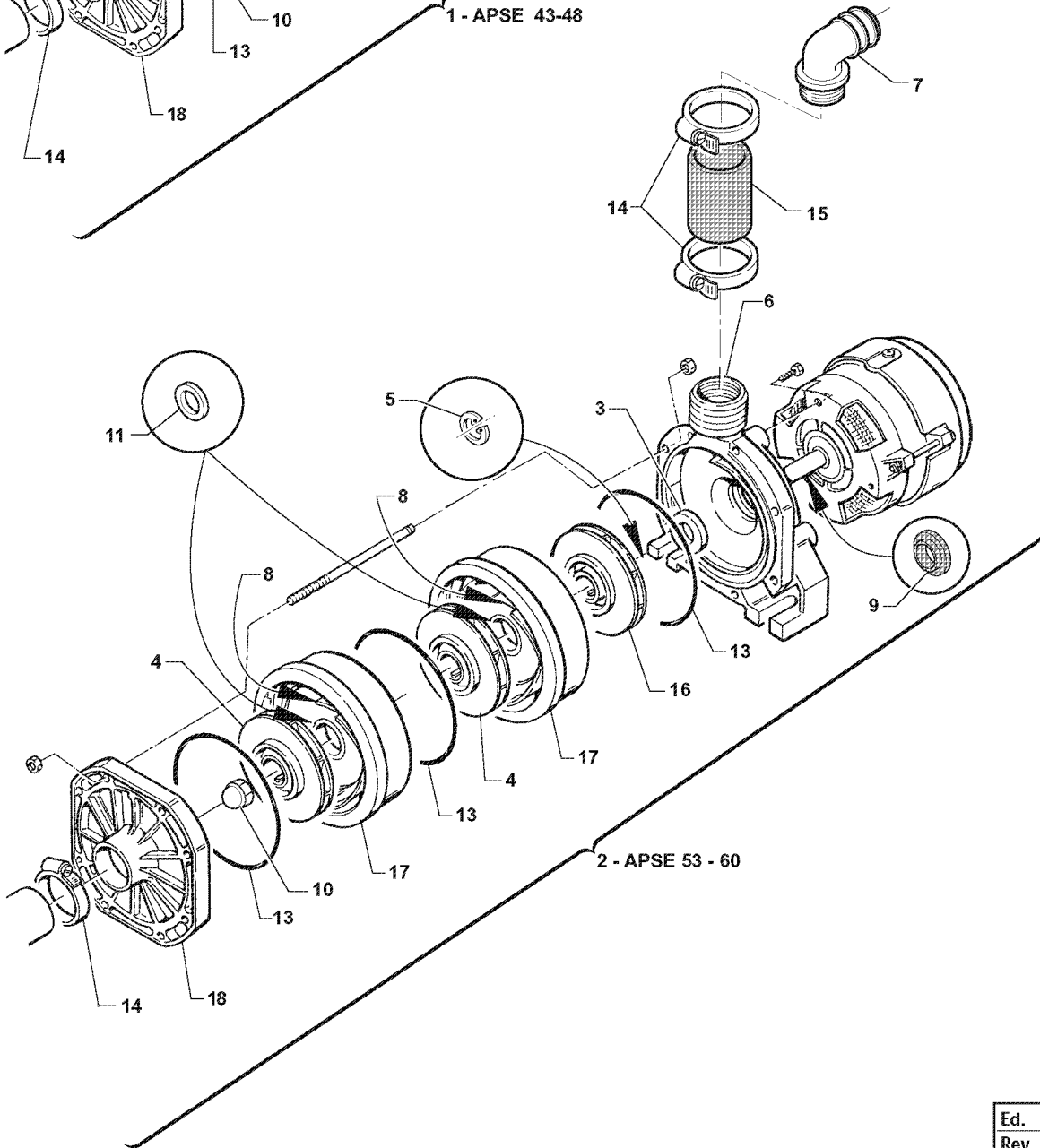
Зип Общепит

vsazip.ru

(812) 987-08-81



1 - APSE 43-48



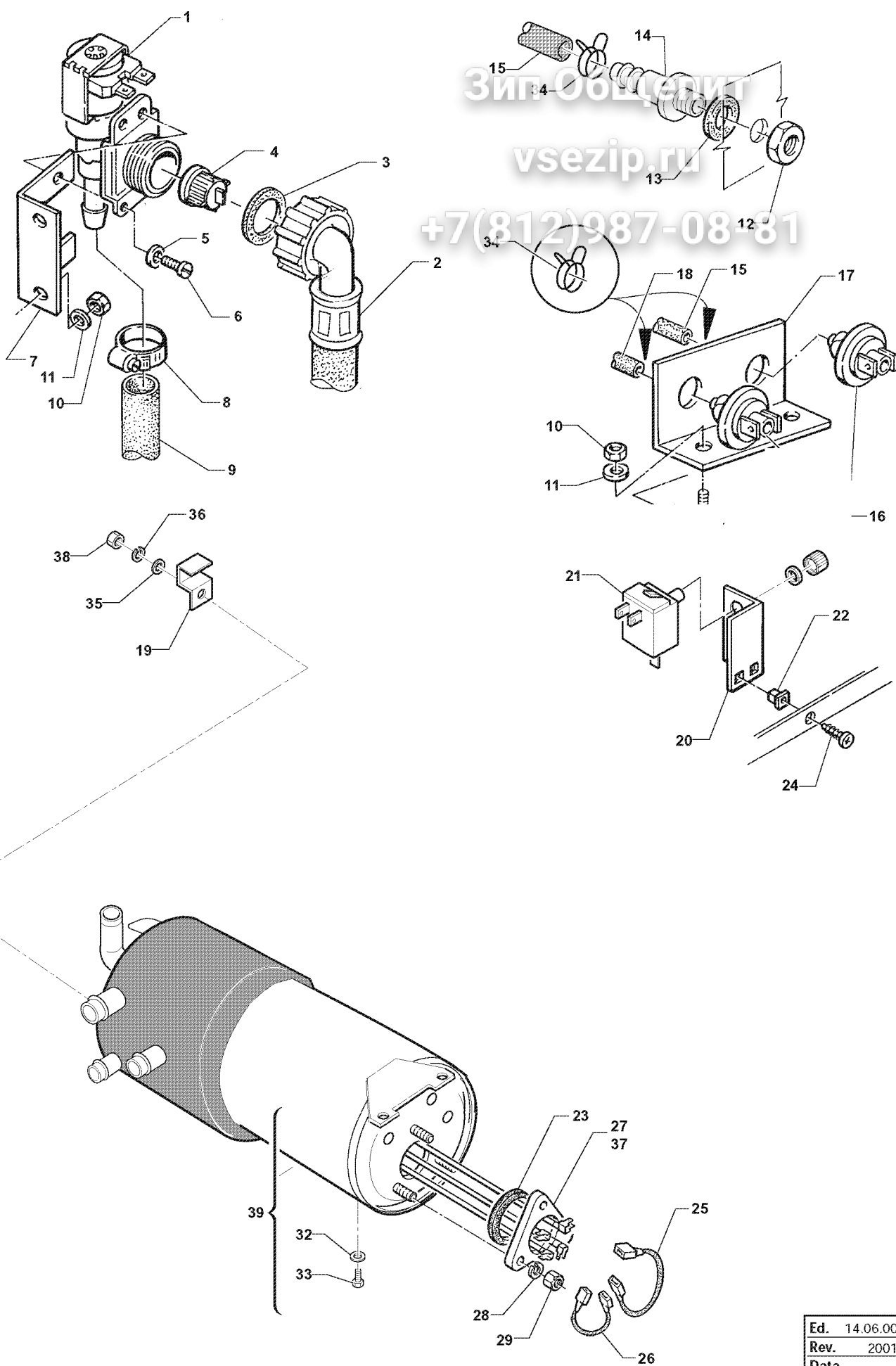
2 - APSE 53 - 60

| | |
|------|----------|
| Ed. | 03.05.99 |
| Rev. | 2001 |
| Data | |

Зип-Общедит

vsezip.ru

+7(812)987-0881

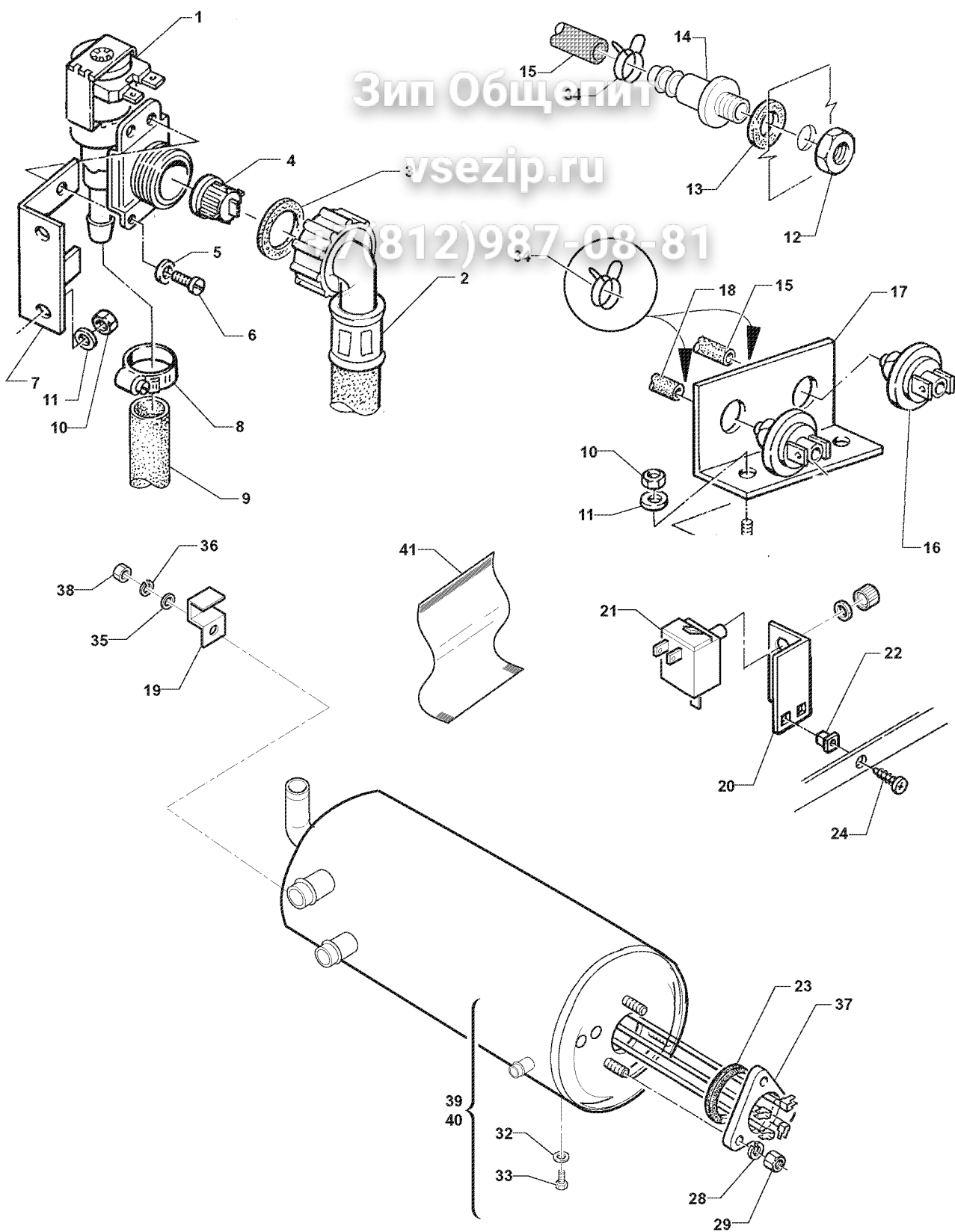


| | |
|------|----------|
| Ed. | 14.06.00 |
| Rev. | 2001 |
| Data | |

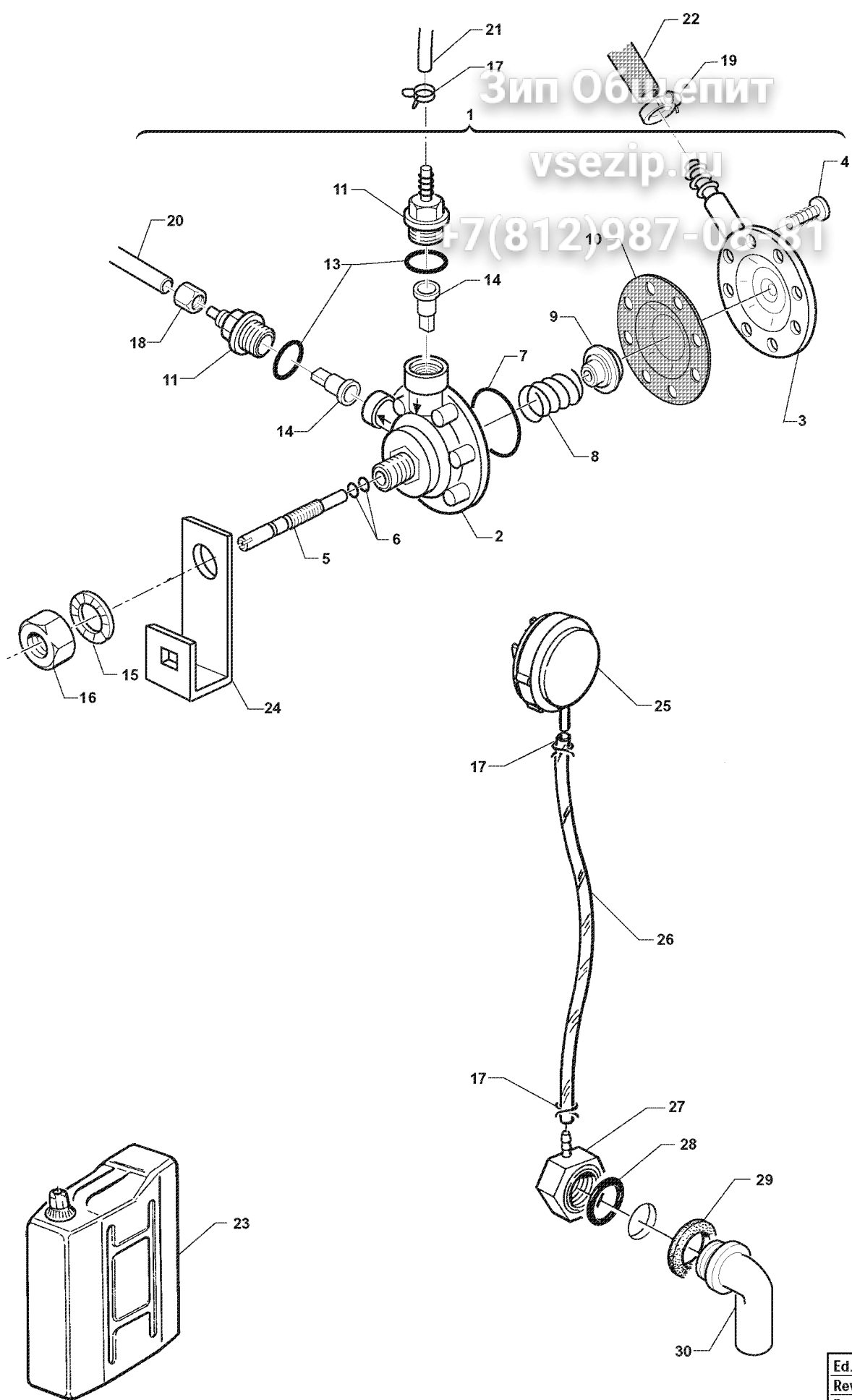
Зип Общелит

vsezip.ru

(812)987-08-81



| | |
|------|------|
| Ed. | 2003 |
| Rev. | |
| Data | |



Зип Общепит

vsezip.ru

+7(812)987-08831

| | |
|------|----------|
| Ed. | 03.05.99 |
| Rev. | 2001 |
| Data | |

| Seite | Pos | Kreditor Artikel Nr. | IT | GB |
|-------|-----|----------------------|--------------------------------|---|
| 002 | 001 | 25032 | TAPPO DI CHIUSURA | CATCH PLUG |
| 002 | 002 | 25245 | GUARNIZIONE OR 3281 | GASKET OR 3281 |
| 002 | 003 | 30007 | GOMMINO BRACCETTO PORTELLO | RUBBER FOR DOOR STAY |
| 002 | 004 | 25008 | GHIERA CHIUSURA TAPPO VASCA | LOCK. NUT FOR TANK PLUG |
| 002 | 005 | 15568 | PERNO MOBILE X PORTELLO | MOBILE DOWEL FOR DOOR |
| 002 | 006 | 30438 | MOLLA X PERNO E PORTA | SPRING FOR PIN AND DOOR |
| 002 | 007 | 29594 | DADO CIECO 4 MA | NUT BLIND 4 MA |
| 002 | 008 | 26691 | VITE TS M 4 X 8 | SCREW TS M 4 X 8 |
| 002 | 009 | 18342 | BOCCOLA SNODO BRACCETTO | BUSH FOR DOOR HINGE |
| 002 | 010 | 34016 | TAPPO ESTREMITA'MANIGLIA DX | PLUG END HANDLE, RIGHT |
| 002 | 010 | 34015 | TAPPO ESTREMITA'MANIGLIA SX | PLUG END HANDLE, LEFT |
| 002 | 011 | 18935 | BRACCETTO PORTELLO DX 43/53 | DOOR STAY DX 43/53 |
| 002 | 011 | 18934 | BRACCETTO PORTELLO SX 43/53 | DOOR STAY SX 43/53 |
| 002 | 012 | 18069 | FERMO BRACCETTO PORTELLO | STOPPER DOOR STAY |
| 002 | 013 | 28699 | VITE TC 4 X 10 | CHEESE-HD SCREW TC 4 X 10 |
| 002 | 014 | 28880 | MADREVITE | NUT SCREW |
| 002 | 015 | 32969 | MAGNETE X CONTATTO M350 AP | MAGNET FOR CONTACT M350 AP |
| 002 | 016 | 29670 | GUARNIZIONE OR 2050 - MS 14 | GASKET OR 2050 - MS 14 |
| 002 | 017 | 25693 | VITE AUTOFIL. TS 4,2X13 INOX | SELF-TAPPING SCREW BEVEL H. 4,2X13 SS |
| 002 | 018 | 33835 | TAPPO ADATTATORE X SONDA | ADAPTER FOR LEVEL PROBE |
| 002 | 019 | 33336 | SCROCCHETTO A ROTELLA | ROLLER DOOR LATCH |
| 002 | 020 | 27155 | DADO IN PLASTICA 10 M | PLASTIC NUT10 M |
| 002 | 021 | 34520 | GUARNIZ. SONDA LIV./TRAP. ARIA | GASKET, LEVEL PROBE/AIR TRAP |
| 002 | 022 | 32311 | SONDA CURVATA A 60° | PROBE, 60° CURVED |
| 002 | 023 | 25697 | VITE AUTOF.T/TCROCE 3,9X13 ZIG | SELF-TAPPING SCREW CHEESE D747H.ROSS 3,9X13 |
| 002 | 024 | 25831 | PIASTRINA X VITI AUTOF.LATI 7P | PLATE FOR SELFTHREAD. SCREW SIDES 7P |
| 002 | 025 | 25209 | PIEDINI BASE ESAGONALE | FEET, HEXAG. BASE |
| 002 | 026 | 26751 | VITE 1/2 TONDA TC 6 X 12 | SCREW 1/2 FLAT ROUND HD 6 X 12 |
| 002 | 028 | 18929 | GUIDA CEST.SX STS-APS 48 BRILL | GUIDE RACK SX STS-APS 48 RIN.AID |
| 002 | 028 | 18928 | GUIDA CEST.DX STS-APS 48 BRILL | GUIDE RACK DX STS-APS 48 RIN.AID |
| 002 | 030 | 25239 | GUARN. OR PB 701 3112 x TRAPP. | GASKET OR PB 701 3112 x AIR TRAP |
| 002 | 031 | 25708 | VITE TE M 5 X 10 INOX | SCREW HEX.HD M 5 X 10 SS |
| 002 | 032 | 33277 | VITE AUTOF. TSP 2,9 X 9,5 | SELF-TAPPING SCREW TSP 2,9 X 9,5 |
| 002 | 033 | 18145 | FERMA CESTELLO MM.25 | RACK STOPPER MM.25 |
| 002 | 034 | 15995 | BUSSOLA FISS. MANIGLIA STS | BUSH SPRING FIX. HANDLE STS |
| 002 | 035 | 33554 | PANNELLO CONTROP. STS/APS/C 48 | INNER DOOR PANEL STS/APS/C 48 |
| 002 | 036 | 18899 | PORTELLO STS/APS/C 48 | DOOR STS/APS/C 48 |
| 002 | 037 | 18827 | MANIGLIA X PORT. STS/APS/C 48 | HANDLE FOR DOOR STS/APS/C 48 |
| 002 | 038 | 22172 | PORTELLO TAMB. 48 L450xH355 | DOOR ASSEMBLY CPL 48 L450xH355 |
| 002 | 039 | H160720 | TAPPO A SCATTO HEYCO D.8 | SNAP PLUG HEYCO D.8 |
| 002 | 039 | 25293 | TAPPINO IN GOMMA DIAM. 10 | PLUG RUBBER DIAM. 10 |
| 002 | 040 | 25700 | VITE TC 4 X 8 CON ZIGRINATURA | SCREW CHEESE-H. 4 X 8 KNURLED |
| 002 | 041 | 33179 | DADO IN GABBIETTA 4MA | ENCLOSED NUT 4MA |
| 002 | 042 | 25743 | RONDELLA PIANA DIAM. 4 | SPACER, FLAT, DIAM. 4 |
| 003 | 001 | 30006 | DISTANZIALE X SUPP.CIRC.STAMP. | SPACER FOR PRINTED CIRC. HOLDER |
| 003 | 002 | 33723 | TARGA COMANDI APS 48 | NAMEPLATE, CONTROLS APS 48 |
| 003 | 003 | 15969 | PIASTRINA FISS.MAGNETE STS | MAGNET FIXING PLATE STS |
| 003 | 004 | 32872 | INTERRUTTORE CM UNIP. D | SWITCH SA SINGLE POLE D |
| 003 | 005 | 29529 | PULSANTE UNIPOLARE NA | UNIPOLAR PUSHBUTTON NA |
| 003 | 006 | 33247 | SUPPORTO VETRO GRIGIO LUCIDO | SUPPORT LAMP HOLDER, BRIGHT GREY |
| 003 | 007 | 32890 | TASTO GRIGIO LUCIDO | BRIGHT GREY PUSH-BUTTON, |
| 003 | 008 | 33185 | LAMPADA LED"VERDE" | LED BULB "GREEN" |
| 003 | 009 | 33186 | LAMPADA LED"ROSSA" | LED BULB "RED" |
| 003 | 010 | 33187 | LAMPADA LED"ARANCIO" | LED BULB "ORANGE" |
| 003 | 011 | 32891 | SUPPORTO LAMPADA | LIGHT BULB HOLDER |
| 003 | 012 | 32868 | GEMMA D16"VERDE" | CAP, Ø16"GREEN" |
| 003 | 013 | 32867 | GEMMA D16"ROSSA" | CAP, Ø16 "RED" |
| 003 | 013 | 34248 | GEMMA D16 "BIANCA" | LAMP COVER "WHITE" D16 |
| 003 | 014 | 32869 | GEMMA D16"ARANCIO" | CAP, Ø16"ORANGE" |
| 003 | 015 | 25831 | PIASTRINA X VITI AUTOF.LATI 7P | PLATE FOR SELFTHREAD. SCREW SIDES 7P |
| 003 | 016 | 28746 | INTERRUTTORE AUTOMATICO 10 A | AUTOMATIC SWITCH 10 A |
| 003 | 017 | 31873 | TELERUTTORE 220-240V- B6-30-10 | REMOTE SWITCH 220-240V- B6-30-10 |
| 003 | 018 | 25791 | DADO AUTOBLOCCANTE 5 MA BASSO | SELF-LOCKING NUT 5 MA LOWER SIDE |
| 003 | 019 | 33188 | SENSORE MAGNETICO | MAGNETIC SENSOR |
| 003 | 020 | 31828 | RONDELLA DENTEL.E. DIAM.3 | DENTED ROUND SPACER, EX Ø 3 |
| 003 | 021 | 25777 | DADO 3 MA | NUTS 3 MA |
| 003 | 022 | 22207 | CABLAGGIO ELE. PR. APS 43/60 | ELECTR. WIRING, PREASS.APS 43/60 |
| 003 | 023 | 30681 | CAVALLOTTO FISS. CONNETTORE | FIXING JUMPER FOR CONNECTOR |
| 003 | 024 | 25684 | VITE AUTOFIL. TC 2,9X9,5 INOX | SELF-TAPPING SCREW CHEESE-H. 2,9X9,5 SS |

| Seite | Pos | Kreditor Artikel Nr. | IT | GB |
|-------|-----|----------------------|---------------------------------|---|
| 003 | 025 | 35562 | MICROP.DWSAP 1.04-24.02.03 | MICROP.DWSAP 1.04-24.02.03 |
| 003 | 025 | 34187 | MICROP.DWSAP V.01.02-010399 | MICROP.DWSAP FUSE V.01.02-010399 |
| 003 | 026 | 33173 | SCHEDA ELET. DWSAP 01.03.99 | PRI.IT.CIRC.BOARD DWSAP 01.03.99 |
| 003 | 027 | 30600 | MORSETTIERA CON FISSAC.TRIFASE | TERMIN. BLOCK W/3-PH. CABLE CONNECT. |
| 003 | 028 | 25775 | DADO 6 MA | NUT 6 MA |
| 003 | 029 | 25745 | RONDELLA PIANA DIAM.6 | SPACER, FLAT, DIAM.6 |
| 003 | 030 | 34284 | FUS.V.5X20 32 MA (33173-33342) | FUSE,V.5X20 32 MA (33173-33342) |
| 003 | 031 | 25699 | VITE TC 4 X 6 | SCREW CHEESE-H. 4 X 6 |
| 003 | 032 | 17597 | SQUADRETTA FISS.MORSETTIERA F A | FIXED TERMINAL BLOCK PA |
| 003 | 033 | 34945 | SONDA TEMPERATURA NTC L=200 | TEMPERATURE PROBE NTC L=200 |
| 003 | 033 | 35567 | SONDA TEMP.NTC 3.3K GIALLA FAS | PROBE TEMP. NTC 3.3K YELLOW |
| 003 | 034 | 33546 | COMANDI + CASS. EL. PREM. 48 | CONTROLS+ELECT.BOX, PREASS.48 |
| 003 | 035 | 31324 | FILTRO ANTIDISTURBO TIPO 5001 | NOISE FILTER, TYPE 5001 |
| 003 | 036 | 34046 | CORDA IN NYLON X FERMOCASSETTO | NYLON ROIPE, DRAWER LIMIT STOP |
| 003 | 037 | 25744 | RONDELLA PIANA DIAM.5 | SPACER, FLAT, DIAM.5 |
| 003 | 038 | 25774 | DADO 5 MA | NUTS 5 MA |
| 003 | 039 | 25757 | RONDELLA DENTEL. DIAM. 12 D.E. | TOOTHED SPACER DIAM. 12 D.E.D787 |
| 003 | 040 | 25782 | DADO 8 MA | NUT 8 MA |
| 003 | 041 | 34305 | PASSACAVO STEAB 6211/16/21 | CABLE RACEWAY STEAB 6211/16/21 |
| 004 | 001 | 32441 | SCATOLA LAVAGGIO GRANDE AP | WASH BOX, LARGE SIZE, HP |
| 004 | 002 | 32442 | COPERCHIO SCATOLA LAV.GRAND.AP | COVER, WASH BOX, LARGE HP |
| 004 | 003 | 31784 | GUARNIZIONE OR 3350 | GASKET OR 3350 |
| 004 | 004 | 17914 | ALBERO RISC.SUPER.AP 43-48-53 | RINSE SHAFT UPPER AP 43-48-53 |
| 004 | 005 | 17922 | DADO CIECO X TURBO SUP.A.P. | BLIND NUT X TURBO SUP.A.P. |
| 004 | 006 | 17916 | PORTAGOMMA TURBO SUP.AP | HOSE FITTING TURBO SUP.AP |
| 004 | 007 | 25792 | DADO AUTOBLOCCANTE 6 MA BASSO | SELF-LOCKING NUT 6 MA LOWER SIDE |
| 004 | 008 | 31785 | GUARNIZIONE PIATTA IN SUGHERO | CORK FLAT GASKET |
| 004 | 009 | 25775 | DADO 6 MA | NUT 6 MA |
| 004 | 010 | 25715 | VITE TE M 6 X 16 INOX | SCREW HEX.HD M 6 X 16 SS |
| 004 | 011 | 32450 | VITE TS 3X10 | BEVEL-HEAD SCREW 3X10 |
| 004 | 012 | 25803 | FASCETTA STRINGITUBO 13-20 ABA | HOSE CLIP 13-20 ABA |
| 004 | 013 | 25240 | GUARNIZIONE OR 121 | GASKET OR 121 |
| 004 | 014 | 29608 | FASCETTA STRINGITUBO 17-32CLAM | HOSE CLIP 17-32CLAM |
| 004 | 015 | 33956 | MANICOTTO X RACCORDO 3 VIE | SLEEVE FOR 3-WAY FITTING |
| 004 | 016 | 33816 | MANICOTTO MANDATA APS 43/48 | DELIVERY SLEEVE APS 43/48 |
| 004 | 017 | 34767 | PORTAGOMMA OTTONE M.14 X 1 | BRASS HOSE FITTING M.14 X 1 |
| 004 | 017 | 25036 | RACCORDO PORTA GOMMA | HOSE FITTING |
| 004 | 018 | 30516 | TAPPINO FILETTATO 9 X 1 | THREADED PLUG 9 X 1 |
| 004 | 019 | 17933 | DISTANZIALE FILETT.INT.14X1 | DISTANCE. THREADED INT. 14X1 |
| 004 | 019 | 34155 | RACCORDO ALIMENT. RISCIAQUO | FITTING, RINSE DELIVERY |
| 004 | 021 | 21871 | ASTA RISC.SUPER.PREM.AP 48 | RINSE ARM UPPER PREASS.AP 48 |
| 004 | 021 | 22085/R | ASTA RISC.SUP.PREM.STS/APS 48 | RINSE ARM UPP.PREASS. STS/APS 48 |
| 004 | 023 | 21021 | GETTO RISCIAQUO O 2,5 PREM. | RINSE JET O 2,5 PREASS. |
| 004 | 024 | 22155 | GETTO RISCIAQUO O 1,5 PREM. | RINSE JET O 1,5 PREASS. |
| 004 | 025 | 00182 | TUBO GOMMA 11X19 CASER/15"BLU" | HOSE 11X19 CASER/15"BLUE" |
| 004 | 026 | 31314 | NIPPLES GETTI RISC. | NIPPLES RINSE JETS |
| 004 | 028 | 18798 | ASTA RISCIAQUO FISSA STS 48 | RINSE ARM FIXED STS 48 |
| 004 | 028 | 17935 | ASTA RISCIAQUO FISSA AP 48 | FIXED RINSE ARM AP 48 |
| 004 | 030 | 31313 | FASCETTA NIPPLES RISC. | HOSE CLIP FOR RINSE NIPPLES |
| 004 | 031 | 25714 | VITE AUTOFIL. TC 3,5X16 INOX | SELF-TAPPING SCREW TC 2,9X9,5 SS |
| 004 | 033 | 32360 | BLOCCHETTO ASTA LAV-RISC.AP | HP WASH-RINSE ARM BLOCK |
| 004 | 034 | 32174 | BRACCIO ASTA RISC.3/S | RINSE ARM3/S |
| 004 | 035 | 32175 | BRACCIO ASTA RISC.3/S | RINSE ARM3/S |
| 004 | 036 | 29156 | GETTO LAVAGGIO "NATURALE" | WASH JET "NATURAL" |
| 004 | 037 | 06785 | INSERTO ASTA RISCIAQUO | WASHING ASSY COMPONENT |
| 004 | 038 | 21866 | ASTA LAVAG.INF-SUP.PRE.AP43/53 | WASHARM.LOW-UPP.PRE.AP43/53 |
| 004 | 039 | 32177 | BRACCIO ASTA RISC.3/I-4/S | RINSE ARM3/I-4/S |
| 004 | 040 | 32176 | BRACCIO ASTA RISC.3/I-4/S | RINSE ARM3/I-4/S |
| 004 | 041 | 17920 | VITE SPEC. FILET. A.P. 10X1 SX | SCREW SPEC. THREAD. A.P. 10X1 L. |
| 004 | 042 | 33276 | CONNETTORE A T-D11,5-COM180413 | T-SHAPED CONNECTOR 11,5-PART180413 |
| 004 | 043 | 17921 | PORTAGOMMA TRIPLO A.P. | HOSE FITTING TRIPLE A.P. |
| 004 | 044 | 25684 | VITE AUTOFIL. TC 2,9X9,5 INOX | SELF-TAPPING SCREW CHEESE-H. 2,9X9,5 SS |
| 004 | 045 | 32282 | GHIERA FIL. ASTA LAVAGGIO AP | THREADED RING, WASHARM |
| 005 | 001 | 32981 | BUSSOLA GRUPPO INF.AP 43/48/53 | BUSH SPRING, LOW.SUPPORT HP 43/48/53 |
| 005 | 002 | 32310 | GUARNIZIONE OR 3200 | GASKET OR 3200 |
| 005 | 003 | 17913 | ALBERO RISC.INFER. AP 43-48 | RINSE SHAFT LOWER AP 43-48 |
| 005 | 004 | 32350 | GRUPPO CENTR.LAV-RISC.AP | WASH-RINSE SUPPORT BOTTOM HP |
| 005 | 005 | 32403 | PORTAGOMMA 1/2"MASCHIO INOX | HOSE FITTING 1/2"MALE SS |
| 005 | 006 | 32352 | PORTAGOMMA CURVO A 90° 1/4 F | HOSE FITTING, 90° ELBOW 1/4 F |

| Seite | Pos | Kreditor Artikel Nr. | IT | GB |
|-------|-----|----------------------|--------------------------------|---|
| 005 | 008 | 32360 | BLOCCHETTO ASTA LAV-RISC.AP | HP WASH-RINSE ARM BLOCK |
| 005 | 011 | 06785 | INSERTO ASTA RISCIAQUO | WASHING JET COMPONENT |
| 005 | 012 | 29156 | GETTO LAVAGGIO "NATURALE" | WASH JET "NATURAL" |
| 005 | 013 | 18345 | ANELLO DISTANZIALE | SPACER RING |
| 005 | 015 | 29695 | GETTO RISCIAQUO "NERO" | RINSE NOZZLE "BLACK" |
| 005 | 016 | 32359 | TAPPO FILETT.ASTA RISC.STS/APS | THREADED PLUG, RINSE ARM STS/APS |
| 005 | 017 | 34351 | PERNO RINVIO INOX RISC.APS/STS | DRIVE PIN, SS RISC.APS/STS |
| 005 | 018 | 21867 | ASTA LAVAG.INFER.PREM.AP 48 | WASHARM LOWER PREASS.AP 48 |
| 005 | 019 | 32178 | BRACCIO ASTA RISC.4/I-5/S | RINSE ARM 4/I-5/S |
| 005 | 020 | 32179 | BRACCIO ASTA RISC.4/I-5/S | RINSE ARM4/I-5/S |
| 005 | 021 | 32282 | GHIERA FIL. ASTA LAVAGGIO AP | THREADED RING, WASHARM |
| 005 | 022 | 21864 | ASTA RISC.INFER.PREM.AP 48 | RINSE ARM LOWER PREASS.AP 48 |
| 005 | 023 | 30516 | TAPPINO FILETTATO 9 X 1 | THREADED PLUG 9 X 1 |
| 005 | 024 | 33346 | DISCO GRUPPO CENTRALE | DISC FOR CENTRAL SUPPORT |
| 005 | 029 | 34503 | VITE AUTOFIL. TC 2,9X6,5 INOX | CHEESE-HD, SELF-TAP.SCREW 2,9X6,5 SS |
| 006 | 001 | 36431 | Colonnina Inf.aps Senza Inser. | Lower column aps without insert. |
| 006 | 002 | 32310 | GUARNIZIONE OR 3200 | GASKET OR 3200 |
| 006 | 003 | 36467 | ALBERO RISC.INF.INOX APS H=133 | RINSE SHAFT LOWER INOX APS H=133 |
| 006 | 004 | 32350 | GRUPPO CENTR.LAV-RISC.AP | WASH-RINSE SUPPORT BOTTOM HP |
| 006 | 005 | 32403 | PORTAGOMMA 1/2"MASCHIO INOX | HOSE FITTING 1/2"MALE SS |
| 006 | 006 | 33346 | DISCO GRUPPO CENTRALE | DISC FOR CENTRAL SUPPORT |
| 006 | 007 | 32352 | PORTAGOMMA CURVO A 90° 1/4 F | HOSE FITTING, 90° ELBOW 1/4 F |
| 006 | 008 | 36478 | DEFLETTORE MULINELLO SERIE APS | VORTEX ARM APS |
| 006 | 009 | 34263 | GETTO LAVAGGIO A CLIP | WASHING JET, CLIP |
| 006 | 010 | 34293 | MOLLETTA BLOCCAGGIO GETTO | JET LOCK SPRING |
| 006 | 011 | 34360 | GUARNIZIONE OR 7 X 1 NBR 70 | GASKET OR 7 X 1 NBR 70 |
| 006 | 012 | 36228 | Bussola Tipo H3 Fm-1416-12 | Bush Type H3 Fm-1416-12 |
| 006 | 013 | 36230 | Bussola Tipo H3 Sm-1416-09 | Bush TypeH3 Sm-1416-09 |
| 006 | 015 | 36222 | Perno Mulin.risciacquo Aps | Pin for rinse arm Aps |
| 006 | 016 | 36223 | Ghiera Distanziale Risc. Aps | Spacer ring for rinse Aps |
| 006 | 018 | H190663 | Bussola Mul.ris.aps Hfm-121407 | Bush, rinse arm aps Hfm-121407 |
| 006 | 019 | 35107 | GRANO CE 4X4 P/PIATTA-DIN 913 | DOWEL FOR FLT.GSKT 4X4, DIN 913 |
| 006 | 020 | 36218 | MULINEL.LAV.INFAPS43-SUP48INOX | WASHARM LOWER APS43-UPPER 48 INOX |
| 006 | 021 | 36219 | MULINEL.LAV.INFAPS48-SUP53INOX | WASHARM LOWER APS48-UPPER 53 INOX |
| 006 | 022 | 36225 | MULINELLO RISC. INOX APS 48 | RINSE ARM INOX APS 48 |
| 006 | 026 | 36213 | ANELLO DISTANZ.LAV/RISC. H=14 | SPACER RING H=14 |
| 006 | 027 | 17920 | VITE SPEC. FILET. A.P. 10X1 SX | SCREW SPEC. THREAD. A.P. 10X1 L. |
| 006 | 028 | 34264 | GETTO RISCIAQUO CON MOLLETTA | RINSE JET WITH SPRING |
| 007 | 001 | 27386 | TUBO DI SCARICO DIAM.18,5X1500 | DRAIN HOSE DIA.18,5X1500 |
| 007 | 002 | 15818 | VALVOLA X SCARICO CON SFIATO | VALVE X DRAIN WITH BREAT. PIPE |
| 007 | 003 | 29608 | FASCETTA STRINGITUBO 17-32CLAM | HOSE CLIP 17-32CLAM |
| 007 | 004 | 32342 | MANICOTTO DI SCARICO AP 43-48 | DRAIN SLEEVE AP 43-48 |
| 007 | 006 | 25775 | DADO 6 MA | NUT 6 MA |
| 007 | 007 | 25745 | RONDELLA PIANA DIAM.6 | SPACER, FLAT, DIAM.6 |
| 007 | 008 | 00409 | TUBETTO TONDO 6x9 TRASPARENTE | ROUND TUBE 6X9, CLEAR |
| 007 | 009 | 34520 | GUARNIZ. SONDA LIV./TRAP. ARIA | GASKET, LEVEL PROBE/AIR TRAP |
| 007 | 010 | 25783 | DADO 10 MA | NUT 10 MA |
| 007 | 011 | 25248 | GUARNIZIONE OR R 4 | GASKET OR R 4 |
| 007 | 012 | 31623 | ELETTROP. DI SCAR. A 90° 50HZ | 90°DRAIN WASH PUMP 50HZ |
| 007 | 013 | 25807 | FASCETTA STRINGITUBO 26-38 ABA | HOSE CLIP 26-38 ABA |
| 007 | 014 | 31612 | MANICOTTO SCARICO A GOMITO | ELBOW DRAIN SLEEVE |
| 007 | 015 | 18579 | SQUADRETTA FISS.POMPA AP 43/53 | FIXING PUMP HOLDER APS 43/53 |
| 007 | 016 | 25713 | VITE TE 6 X 10 INOX | SCREW HEX.HD 6 X 10 SS |
| 007 | 017 | 25750 | RONDELLA SPACCATA DIAM. 6 | SPACER, SPLITTED, DIAM. 6 |
| 007 | 018 | 25745 | RONDELLA PIANA DIAM.6 | SPACER, FLAT, DIAM.6 |
| 007 | 019 | 28880 | MADREVITE | NUT SCREW |
| 007 | 020 | 25697 | VITE AUTOF.T/TCROCE 3,9X13 ZIG | SELF-TAPPING SCREW CHEESE D747H.ROSS 3,9X13 |
| 007 | 021 | 25808 | FASCETTE STRINGITUBO 27-51CLAM | HOSE CLIP 27-51CLAM |
| 007 | 022 | 31621 | RACCORDO POMPETTA SCARICO | FITTING, DRAIN PUMP |
| 007 | 023 | 28226 | GUARNIZ.OR 3181 X PIPA SCARICO | GASKET OR 3181 FOR DRAIN LUG |
| 007 | 024 | 31637 | GHIERA CON GANCIO S/ZA CROCE | CROSSLESS HOOK SLEEVE |
| 007 | 025 | 30425 | PILETTA ASPIRAZIONE | SUCTION PIPE UNION |
| 007 | 026 | 31948 | GUARNIZIONE OR | GASKET OR |
| 007 | 027 | 25006 | GHIERA PILETTA ASP. P. | NUT FO DRAIN SUCT. P. |
| 007 | 028 | 30839 | ANELLO FILTRO ANTIDEPPOSITO | RING, ANTICLOG FILTER |
| 007 | 029 | 31622 | FILTRO POMPETTA SCAR. | FILTER DRAIN PUMP |
| 007 | 030 | 32515 | MANOPOLA BASSA X FILTRO VASCA | LOWER SIDE KNOB FOR TANK FILTER |
| 007 | 031 | 31209 | DISCO GRIGLIATO FILTRO VASCA | GRID DISC, TANK FILTER |
| 007 | 032 | 25684 | VITE AUTOFIL. TC 2,9X9,5 INOX | SELF-TAPPING SCREW CHEESE-H. 2,9X9,5 SS |

| Seite | Pos | Kreditor Artikel Nr. | IT | GB |
|-------|-----|----------------------|---------------------------------------|---|
| 007 | 033 | 31210 | MANETTA DI TENUTA FILTRO VASCA | HOLDING LEVER, TANK FILTER |
| 007 | 034 | 21574 | FILTRO VASCA PREM. AP | FILTER TANK PREASS. AP |
| 007 | 035 | 26907 | MANICOTTO ASPIRAZIONE 48-53 | SUCTION SLEEVE 48-53 |
| 007 | 036 | 25809 | FASCETTA STRINGITUBO 40-64CLAM | HOSE CLIP 40-64CLAM |
| 007 | 037 | 32311 | SONDA CURVATA A 60° | PROBE, 60° CURVED |
| 007 | 039 | 27155 | DADO IN PLASTICA 10 M | PLASTIC NUT10 M |
| 007 | 040 | 21094 | FILTRO ASPIRAZ.TURBO PREM. | SUCTION FILTER TURBO PREASS. |
| 007 | 041 | 35093 | POMPA SCAR.HANNING DPS 25 50hz | DRAIN PUMP HANNING TYPE DPS 25 |
| 007 | 042 | 35112 | SQUADR.x POMPA SCAR. APS 43/48 | BRACKET, DRAIN PUMP APS 43/48 |
| 007 | 044 | 31717 | FILTRO VASCA INTERNO | TANK FILTER |
| 007 | 045 | 31716 | FILTRO VASCA APS S/SOTTOFILTRO | TANK FILTER |
| 008 | 001 | 27386 | TUBO DI SCARICO DIAM.18,5X1500 | DRAIN HOSE DIA.18,5X1500 |
| 008 | 002 | 15818 | VALVOLA X SCARICO CON SFIATO | VALVE X DRAIN WITH BREAT. PIPE |
| 008 | 003 | 29608 | FASCETTA STRINGITUBO 17-32CLAM | HOSE CLIP 17-32CLAM |
| 008 | 004 | 32342 | MANICOTTO DI SCARICO AP 43-48 | DRAIN SLEEVE AP 43-48 |
| 008 | 006 | 25775 | DADO 6 MA | NUT 6 MA |
| 008 | 007 | 25745 | RONDELLA PIANA DIAM.6 | SPACER, FLAT, DIAM.6 |
| 008 | 008 | 00409 | TUBETTO TONDO 6x9 TRASPARENTE | ROUND TUBE 6X9, CLEAR |
| 008 | 009 | 34520 | GUARNIZ. SONDA LIV./TRAP. ARIA | GASKET, LEVEL PROBE/AIR TRAP |
| 008 | 010 | 25783 | DADO 10 MA | NUT 10 MA |
| 008 | 011 | 28248 | GOMITO A PIPA T/N | ELBOW LUG T/N |
| 008 | 012 | 31623 | ELETTROP. DI SCAR. A 90° 50HZ | 90° DRAIN WASH PUMP 50HZ |
| 008 | 013 | 25807 | FASCETTA STRINGITUBO 26-38 ABA | HOSE CLIP 26-38 ABA |
| 008 | 014 | 31612 | MANICOTTO SCARICO A GOMITO | ELBOW DRAIN SLEEVE |
| 008 | 015 | 18579 | SQUADRETTA FISS.POMPA AP 43/53 | FIXING PUMP HOLDER APS 43/53 |
| 008 | 016 | 25713 | VITE TE 6 X 10 INOX | SCREW HEX.HD 6 X 10 SS |
| 008 | 017 | 25750 | RONDELLA SPACCATA DIAM. 6 | SPACER, SPLITTED, DIAM. 6 |
| 008 | 018 | 25745 | RONDELLA PIANA DIAM.6 | SPACER, FLAT, DIAM.6 |
| 008 | 019 | 28880 | MADREVITE | NUT SCREW |
| 008 | 020 | 25697 | VITE AUTOF.T/TCROCE 3,9X13 ZIG | SELF-TAPPING SCREW CHEESE D747H.ROSS 3,9X13 |
| 008 | 021 | 25808 | FASCETTE STRINGITUBO 27-51CLAM | HOSE CLIP 27-51CLAM |
| 008 | 022 | 31621 | RACCORDO POMPETTA SCARICO | FITTING, DRAIN PUMP |
| 008 | 023 | 28226 | GUARNIZ.OR 3181 X PIPA SCARICO | GASKET OR 3181 FOR DRAIN LUG |
| 008 | 024 | 31637 | GHIERA CON GANCIO S/ZA CROCE | CROSSLESS HOOK SLEEVE |
| 008 | 025 | 30425 | PILETTA ASPIRAZIONE | SUCTION PIPE UNION |
| 008 | 026 | 31948 | GUARNIZIONE OR | GASKET OR |
| 008 | 027 | 25006 | GHIERA PILETTA ASP. P. | NUT FO DRAIN SUCT. P. |
| 008 | 028 | 30839 | ANELLO FILTRO ANTIDEPPOSITO | RING, ANTICLOG FILTER |
| 008 | 029 | 31622 | FILTRO POMPETTA SCAR. | FILTER DRAIN PUMP |
| 008 | 030 | 25293 | TAPPINO IN GOMMA DIAM. 10 | PLUG RUBBER DIAM. 10 |
| 008 | 031 | 31209 | DISCO GRIGLIATO FILTRO VASCA | GRID DISC, TANK FILTER |
| 008 | 032 | 25684 | VITE AUTOFIL. TC 2,9X9,5 INOX | SELF-TAPPING SCREW CHEESE-H. 2,9X9,5 SS |
| 008 | 033 | 31210 | MANETTA DI TENUTA FILTRO VASCA | HOLDING LEVER, TANK FILTER |
| 008 | 034 | 36180 | FILTRO VASCA PREM. APS x RICAMBI | TANK FILTER PREASS. APS FOR SPARE PARTS |
| 008 | 035 | 26907 | MANICOTTO ASPIRAZIONE 48-53 | SUCTION SLEEVE 48-53 |
| 008 | 036 | 25809 | FASCETTA STRINGITUBO 40-64CLAM | HOSE CLIP 40-64CLAM |
| 008 | 037 | 32311 | SONDA CURVATA A 60° | PROBE, 60° CURVED |
| 008 | 039 | 27155 | DADO IN PLASTICA 10 M | PLASTIC NUT10 M |
| 008 | 040 | 21094 | FILTRO ASPIRAZ.TURBO PREM. | SUCTION FILTER TURBO PREASS. |
| 008 | 041 | 35093 | POMPA SCAR.HANNING DPS 25 50hz | DRAIN PUMP HANNING TYPE DPS 25 |
| 008 | 042 | 35112 | SQUADR.x POMPA SCAR. APS 43/48 | BRACKET, DRAIN PUMP APS 43/48 |
| 008 | 044 | 31716 | FILTRO VASCA APS S/SOTTOFILTRO | TANK FILTER |
| 008 | 045 | 36552 | GIRANTE X POMPA SCARICO 31623 | IMPELLER for DRAIN PUMP 31623 |
| 008 | 046 | 35409 | TENUTAMECC.G.R.E.TIPO 00000D6 | SHAFT SEAL G.R.E.TYPE 00000D6 |
| 009 | 001 | 32244 | ELETTROPOMPA 2 GIRANTI HP 0,50 | WASH PUMP 2 IMPELLERS 0,50HP |
| 009 | 004 | 32344 | TENUTA MECCANICA ROTANTE | REVOLV.SHAFT SEAL |
| 009 | 005 | 33160 | ANELLO SEEGER X POMPA AP | SNAP RING FOR PUMP HP |
| 009 | 006 | 32346 | GIRANTE ELETTROPOMPA A.P. | IMPELLER WASH PUMP H.P. |
| 009 | 007 | 32345 | GIRANTE ELETTROPOMPA A P | IMPELLER WASH PUMP H P |
| 009 | 008 | 32347 | DIFFUSORE ELETTROPOMPA A.P. | DIFFUSER WASH PUMP H.P. |
| 009 | 009 | 32348 | SPANDIACQUA POMPA AP. | WATER DEFLECTOR HP |
| 009 | 010 | 32349 | DADO GIRANTE ELETTROP.A.P. | NUT IMPELLER WASH PUMP H.P. |
| 009 | 012 | 25555 | CONDENSATORE UF 12,5-450 V | CAPACITOR UF 12,5-450 V |
| 009 | 013 | 32589 | GUARNIZIONE OR DIFFUSORI AP | GASKET OR, HP DIFFUSERS |
| 009 | 014 | 25809 | FASCETTA STRINGITUBO 40-64CLAM | HOSE CLIP 40-64CLAM |
| 009 | 015 | 32055 | MANICOTTO X MAND.RACCORDO 90° | STEM SLEEVE, 90° FITTING |
| 009 | 016 | 32721 | RACCORDO 90°FILET.POMPA 32X1,5 | FITTING 90°THREAD.PUMP 32X1,5 |
| 009 | 017 | 36178 | CORPO POMPA CPL DI COPERCHIOxALB.D.20 | CPL PUMP HOUSING RING 20 |
| 009 | 017 | 32601 | CORPO POMPA CPL DI COPERCHIO | CPL PUMP HOUSING |

| Seite | Pos | Kreditor Artikel Nr. | IT | GB |
|-------|-----|----------------------|---------------------------------------|---|
| 009 | 018 | 32380 | CONDENSATORE 20 UF | CAPACITOR 20 UF |
| 009 | 019 | 33164 | RONDELLA PER POMPA AP | SPACER WASHER FOR PUMP HP |
| 009 | 020 | 33165 | GIRANTE BASSA | PUMPWHEEL, LOWER |
| 009 | 021 | 33166 | GIRANTE ALTA | PUMPWHEEL, UPPER |
| 009 | 022 | 33935 | DADO M10 SX INOX | NUT M10 LEFT SS |
| 009 | 023 | 33810 | TENUTA E CONTROFACCIA RID. BPF | SHAFT SEAL AND GLIDING SURF.RID BPF |
| 009 | 024 | 34471 | SEPARATORE X POMPE APS | SEPARATOR FOR PUMP APS |
| 009 | 025 | 34775 | ANELLO X DIFFUSORE POMPE APS | RING FOR PUMP DIFFUSER APS |
| 009 | 032 | 35286 | VENTOLA x POMPE APS | COOLING FAN FOR PUMP APS |
| 009 | 033 | 35287 | COPRIVENTOLA X POMPA APS | FAN COVER FOR PUMP APS |
| 009 | 034 | 36060 | FLANGIA x POMPA APS | FLANGE FOR PUMP, APS |
| 010 | 001 | 32244 | ELETTROPOMPA 2 GIRANTI HP 0,50 | WASH PUMP 2 IMPELLERS 0,50HP |
| 010 | 003 | 33810 | TENUTA E CONTROFACCIA RID. BPF | SHAFT SEAL AND GLIDING SURF.RID BPF |
| 010 | 004 | 33166 | GIRANTE ALTA | PUMPWHEEL, UPPER |
| 010 | 005 | 33160 | ANELLO SEEGER X POMPA AP | SNAP RING FOR PUMP HP |
| 010 | 006 | 36178 | CORPO POMPA CPL DI COPERCHIOxALB.D.20 | CPL PUMP HOUSING RING 20 |
| 010 | 006 | 32601 | CORPO POMPA CPL DI COPERCHIO | CPL PUMP HOUSING |
| 010 | 007 | 32721 | RACCORDO 90°FILET.POMPA 32X1,5 | FITTING 90°THREAD.PUMP 32X1,5 |
| 010 | 008 | 32347 | DIFFUSORE ELETTROPOMPA A.P. | DIFFUSER WASH PUMP H.P. |
| 010 | 009 | 32348 | SPANDIACQUA POMPA AP. | WATER DEFLECTOR HP |
| 010 | 010 | 33935 | DADO M10 SX INOX | NUT M10 LEFT SS |
| 010 | 011 | 34775 | ANELLO X DIFFUSORE POMPE APS | RING FOR PUMP DIFFUSER APS |
| 010 | 012 | 25555 | CONDENSATORE UF 12,5-450 V | CAPACITOR UF 12,5-450 V |
| 010 | 013 | 32589 | GUARNIZIONE OR DIFFUSORI AP | GASKET OR, HP DIFFUSERS |
| 010 | 014 | 25809 | FASCETTA STRINGITUBO 40-64CLAM | HOSE CLIP 40-64CLAM |
| 010 | 015 | 32055 | MANICOTTO X MAND.RACCORDO 90° | STEM SLEEVE, 90° FITTING |
| 010 | 016 | 33165 | GIRANTE BASSA | PUMPWHEEL, LOWER |
| 010 | 017 | 34471 | SEPARATORE X POMPE APS | SEPARATOR FOR PUMP APS |
| 010 | 018 | 36060 | FLANGIA x POMPA APS | FLANGE FOR PUMP, APS |
| 011 | 001 | 30933 | ELETTROVALVOLA SING. 3/4" | SOLENOID VALVE SING. 3/4" |
| 011 | 002 | 25235 | TUBO DI CARICO 3/4" 60 ATE | INLET HOSE 3/4" 60 ATE |
| 011 | 003 | 25269 | GUARNIZIONE PIATTA | FLAT GASKET |
| 011 | 004 | 26981 | FILTRO X ELETTROVALV.T/N | FILTER X SOLENOID V.T/N |
| 011 | 005 | 25743 | RONDELLA PIANA DIAM. 4 | SPACER, FLAT, DIAM. 4 |
| 011 | 006 | 25700 | VITE TC 4 X 8 CON ZIGRINATURA | SCREW CHEESE-H. 4 X 8 KNURLED |
| 011 | 007 | 17580 | SQUADRETTA ELETTROV.43/60 | HOLDER SOLENOID VALVE 43/60 |
| 011 | 008 | 25803 | FASCETTA STRINGITUBO 13-20 ABA | HOSE CLIP 13-20 ABA |
| 011 | 009 | 00182 | TUBO GOMMA 11X19 CASER/15"BLU" | HOSE 11X19 CASER/15"BLUE" |
| 011 | 010 | 25774 | DADO 5 MA | NUTS 5 MA |
| 011 | 011 | 25744 | RONDELLA PIANA DIAM.5 | SPACER, FLAT, DIAM.5 |
| 011 | 012 | 25783 | DADO 10 MA | NUT 10 MA |
| 011 | 013 | 25266 | GUARNIZIONE PIATTA 18 X 10 X 2 | FLAT GASKET 18 X 10 X 2 |
| 011 | 014 | 18472 | RACCORDO INIEZIONE DETERS.AP | FITTING INJECT. DETERGENT AP |
| 011 | 015 | 00540 | TUBETTO ROSSO 4x7 IN ROTOLO | RED TUBE 8X4 ROLL |
| 011 | 016 | 30687 | PRESSOSTATO-INTERRUT. LVL N.C. | PRESSURE SWITCH LVL N.C. |
| 011 | 017 | 16445 | SQUADRETTA FISS.PRESSOSTATI SR | FIX.SQUARE FOR PRESS.GAUGES SR |
| 011 | 018 | 00166 | TUBETTO TRASP. 4x7 IN ROTOLO | ROLL TUBE TRANSP. 4X7 |
| 011 | 019 | 33332 | SQUADRETTA FISS. BOLLITORE APS | FIX.BRACKET, BOILER APS |
| 011 | 020 | 17582 | SQUADRETTA TERMOSTATO 43/60 | HOLDER THERMOSTAT 43/60 |
| 011 | 021 | 33745 | LIMITATORE 110° RIARMO MANUALE | LIMITER 110° MANUAL RESET |
| 011 | 022 | 28880 | MADREVITE | NUT SCREW |
| 011 | 023 | 33402 | GUARN. OR 6X56X68 | GASKET OR 6X56X68 |
| 011 | 024 | 25697 | VITE AUTOF.T/TCROCE 3,9X13 ZIG | SELF-TAPPING SCREW CHEESE D747H.ROSS 3,9X13 |
| 011 | 025 | 25576 | CAVALLOTTO L=170 MMQ 2,5 ROSSO | JUMPER L=170, 2,5 mm2, RED |
| 011 | 026 | 25575 | CAVALLOTTO L=100 MMQ 2,5 BLEU | JUMPER L=100, 2,5 mm2 BLUE |
| 011 | 027 | 25357 | RESISTENZA BOLL.4000W 230V | HEATING ELEM. BOOST.4000W 230V |
| 011 | 028 | 25768 | RONDELLA SPACCATA DIAM.8 | SPACER SPLITTED DIAM. 8 |
| 011 | 029 | 25782 | DADO 8 MA | NUT 8 MA |
| 011 | 032 | 25274 | GUARNIZIONE PIATTA 12 X 6 X 2 | FLAT GASKET 12 X 6 X 2 |
| 011 | 033 | 26863 | VITE TE 6 X 8 INOX | HEX HD SCREW 6 X 8 STAINLESS S. |
| 011 | 034 | 28442 | FASCETTA A FILO | WIRE CLIP |
| 011 | 035 | 25745 | RONDELLA PIANA DIAM.6 | SPACER, FLAT, DIAM.6 |
| 011 | 036 | 25750 | RONDELLA SPACCATA DIAM. 6 | SPACER, SPLITTED, DIAM. 6 |
| 011 | 037 | 29655 | RESISTENZA BOLL.5000W-230/400V | HEATING ELEM. BOOST.5000 W-220/380 |
| 011 | 038 | 25775 | DADO 6 MA | NUT 6 MA |
| 011 | 039 | 35056 | BOLLITORE CIL. (RIC) APS 43-48 | BOILER CYL.,SPARE APS 43-48 |
| 012 | 001 | 30933 | ELETTROVALVOLA SING. 3/4" | SOLENOID VALVE SING. 3/4" |
| 012 | 002 | 25235 | TUBO DI CARICO 3/4" 60 ATE | INLET HOSE 3/4" 60 ATE |
| 012 | 003 | 25269 | GUARNIZIONE PIATTA | FLAT GASKET |

| Seite | Pos | Kredtor Artikel Nr. | IT | GB |
|-------|-----|---------------------|--------------------------------|---|
| 012 | 004 | 26981 | FILTRO X ELETTROVALV.T/N | FILTER X SOLENOID V.T/N |
| 012 | 005 | 25743 | RONDELLA PIANA DIAM. 4 | SPACER, FLAT, DIAM. 4 |
| 012 | 006 | 25700 | VITE TC 4 X 8 CON ZIGRINATURA | SCREW CHEESE-H. 4 X 8 KNURLED |
| 012 | 007 | 17580 | SQUADRETTA ELETTROV.43/60 | HOLDER SOLENOID VALVE 43/60 |
| 012 | 008 | 25803 | FASCETTA STRINGITUBO 13-20 ABA | HOSE CLIP 13-20 ABA |
| 012 | 009 | 00182 | TUBO GOMMA 11X19 CASER/15"BLU" | HOSE 11X19 CASER/15"BLUE" |
| 012 | 010 | 25774 | DADO 5 MA | NUTS 5 MA |
| 012 | 011 | 25744 | RONDELLA PIANA DIAM.5 | SPACER, FLAT, DIAM 5 |
| 012 | 012 | 25783 | DADO 10 MA | NUT 10 MA |
| 012 | 013 | 25266 | GUARNIZIONE PIATTA 18 X 10 X 2 | FLAT GASKET 18 X 10 X 2 |
| 012 | 014 | 18472 | RACCORDO INIEZIONE DETERS.AP | FITTING INJECT. DETERGENT AP |
| 012 | 015 | 00540 | TUBETTO ROSSO 4x7 IN ROTOLO | RED TUBE 8X4 ROLL |
| 012 | 016 | 30687 | PRESSOSTATO-INTERRUT. LVL N.C. | PRESSURE SWITCH LVL N.C. |
| 012 | 017 | 16445 | SQUADRETTA FISS.PRESSOSTATI SR | FIX.SQUARE FOR PRESS.GAUGES SR |
| 012 | 018 | 00166 | TUBETTO TRASP. 4x7 IN ROTOLO | ROLL TUBE TRANSP. 4X7 |
| 012 | 019 | 33332 | SQUADRETTA FISS. BOLLITORE APS | FIX.BRACKET, BOILER APS |
| 012 | 020 | 17582 | SQUADRETTA TERMOSTATO 43/60 | HOLDER THERMOSTAT 43/60 |
| 012 | 021 | 33745 | LIMITATORE 110° RIARMO MANUALE | LIMITER 110° MANUAL RESET |
| 012 | 022 | 28880 | MADREVITE | NUT SCREW |
| 012 | 023 | 29938 | GUARNIZIONE OR 6150 | GASKET OR 6150 |
| 012 | 024 | 25697 | VITE AUTOF.T/TCROCE 3,9X13 ZIG | SELF-TAPPING SCREW CHEESE D747H.ROSS 3,9X13 |
| 012 | 028 | 25768 | RONDELLA SPACCATA DIAM.8 | SPACER SPLITTED DIAM. 8 |
| 012 | 029 | 25782 | DADO 8 MA | NUT 8 MA |
| 012 | 032 | 25274 | GUARNIZIONE PIATTA 12 X 6 X 2 | FLAT GASKET 12 X 6 X 2 |
| 012 | 033 | 26863 | VITE TE 6 X 8 INOX | HEX HD SCREW 6 X 8 STAINLESS S. |
| 012 | 034 | 25745 | RONDELLA PIANA DIAM.6 | SPACER, FLAT, DIAM.6 |
| 012 | 034 | 28442 | FASCETTA A FILO | WIRE CLIP |
| 012 | 035 | 25750 | RONDELLA SPACCATA DIAM. 6 | SPACER, SPLITTED, DIAM. 6 |
| 012 | 036 | 29655 | RESISTENZA BOLL.5000W-230/400V | HEATING ELEM. BOOST.5000 W-220/380 |
| 012 | 037 | 25775 | DADO 6 MA | NUT 6 MA |
| 012 | 038 | 35056 | BOLLITORE CIL. (RIC) APS 43-48 | BOILER CYL.,SPARE APS 43-48 |
| 012 | 041 | 36432 | PROTEZ.TERMOST.SIC.APS/C81/C90 | SAF. THERMOSTAT PROTECT. APS/C81/C90 |
| 013 | 001 | 22060 | DOSATORE BRILL.PREM."GIALLO"1° | RINSE AID DISP.PREASS."YELLOW"1ø |
| 013 | 002 | 25046 | CORPO DOSATORE SUPER. | UPPER DISPENSER ASSEMBLY |
| 013 | 003 | 25047 | CORPO DOSATORE INFER. | LOWER DISPENSER ASSEMBLY |
| 013 | 004 | 25697 | VITE AUTOF.T/TCROCE 3,9X13 ZIG | SELF-TAPPING SCREW CHEESE D747H.ROSS 3,9X13 |
| 013 | 005 | 18394 | VITE REGOLAZ.DOSATORE | SCREW CONTROL DISPENSER |
| 013 | 006 | 25251 | GUARNIZIONE OR 2012 | GASKET OR 2012 |
| 013 | 007 | 32243 | GUARNIZIONE OR 3156 | GASKET OR 3156 |
| 013 | 008 | 25818 | MOLLA CILINDRICA (FILO) | CYLINDER SPRING (WIRE) |
| 013 | 009 | 31991 | GUIDA MOLLA DOSATORE | SPRING GUIDE FOR DISPENSER |
| 013 | 010 | 31596 | MEMBRANA DOSATORE | DIAPHRAGM, DISPENSER |
| 013 | 011 | 32084 | KIT RACCORDI VALV.ASP/MAN.BRIL | FITTING KIT, SUCT/DELIV.VLV RINSE AGENT |
| 013 | 013 | 32831 | GUARNIZIONE OR 2062 | GASKET OR 2062 |
| 013 | 014 | 25211 | VALVOLINA MAND.-ASPIRAZ.DOSAT. | NON RETURN VALVE RINSE AID DISP. |
| 013 | 015 | 25757 | RONDELLA DENTEL. DIAM. 12 D.E. | TOOTHED SPACER DIAM. 12 D.E.D787 |
| 013 | 016 | 15229 | DADO FISS. DOSATORE | LOCK NUT AID DISPENSER |
| 013 | 017 | 28442 | FASCETTA A FILO | WIRE CLIP |
| 013 | 018 | 15228 | GHIERA FISS.TUBETTO BRIL.RIL. | RING FOR RINSING SOLUTION TUBE |
| 013 | 019 | 25803 | FASCETTA STRINGITUBO 13-20 ABA | HOSE CLIP 13-20 ABA |
| 013 | 020 | 34779 | TUBETTO 6X4 KYNARFLEX -PVDF | TUBE 6X4 KYNARFLEX -PVDF |
| 013 | 021 | 00166 | TUBETTO TRASP. 4x7 IN ROTOLO | ROLL TUBE TRANSP. 4X7 |
| 013 | 022 | 00182 | TUBO GOMMA 11X19 CASER/15"BLU" | HOSE 11X19 CASER/15"BLUE" |
| 013 | 023 | 31945 | TANICA BRILLANTANTE CON TAPPO | RINSE AID CONTAINER WITH PLUG |
| 013 | 024 | 18750 | SQUADRETTA DOSATORE BRILL. | SQUARE, RINSE AGENT DISPENSER |
| 013 | 025 | 31171 | PRESSOSTATO TAR. 28/12+-3 | PRESSURE SWITCH, RATED 28/12+-3 |
| 013 | 026 | 00181 | TUBETTO PRESS.SILICONE 4x7 | SILICONE PRESSURE TUBE 4x7 |
| 013 | 027 | 25011 | CALOTTA X TRAPPOLA ARIA | COVER X AIR TRAP |
| 013 | 028 | 25239 | GUARN. OR PB 701 3112 x TRAPP. | GASKET OR PB 701 3112 x AIR TRAP |
| 013 | 029 | 25263 | GUARN. PIATTA 38 X 25 X 2 TRAP | FLAT GASKET 38 X 25 X 2 A.TRAP |
| 013 | 030 | 29640 | RACCORDO DI ASPIRAZ. POMPA SR | SUCTION FITTING FOR PUMP SR |