

**CATALOGO RICAMBI  
SPARE PARTS  
PIECES DETACHEES  
ERSATZTEILE  
LISTA DE RECAMBIOS**

Зип Обществ

vsezip.ru

+7(812)987-08-81

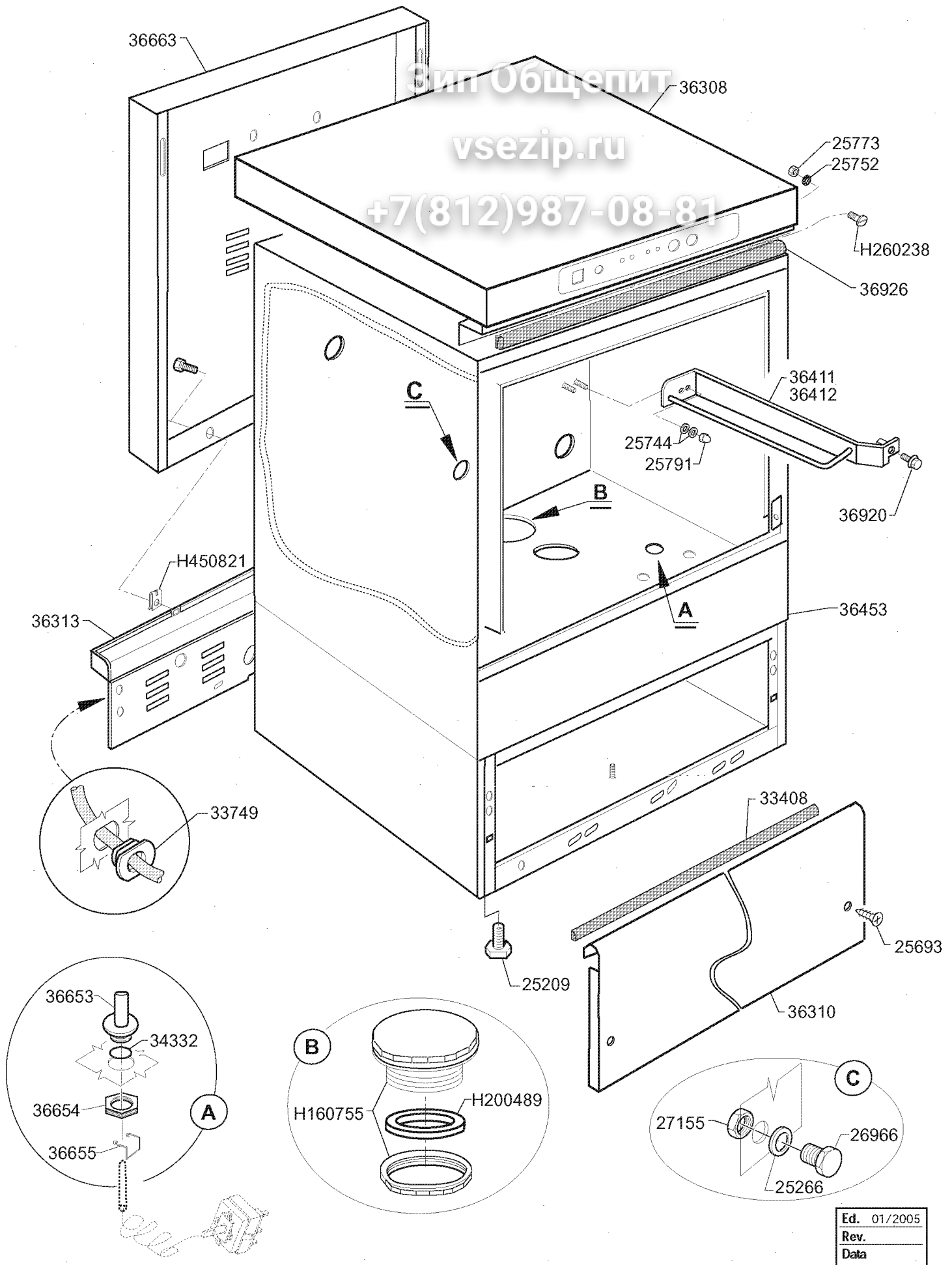
**Lavastoviglie  
Dishwashers  
Lavevaisselle  
Geschirrspüler  
Lavavajillas**

**60 E BT**

Зип Общепит

vsezip.ru

+7(812)987-08-81

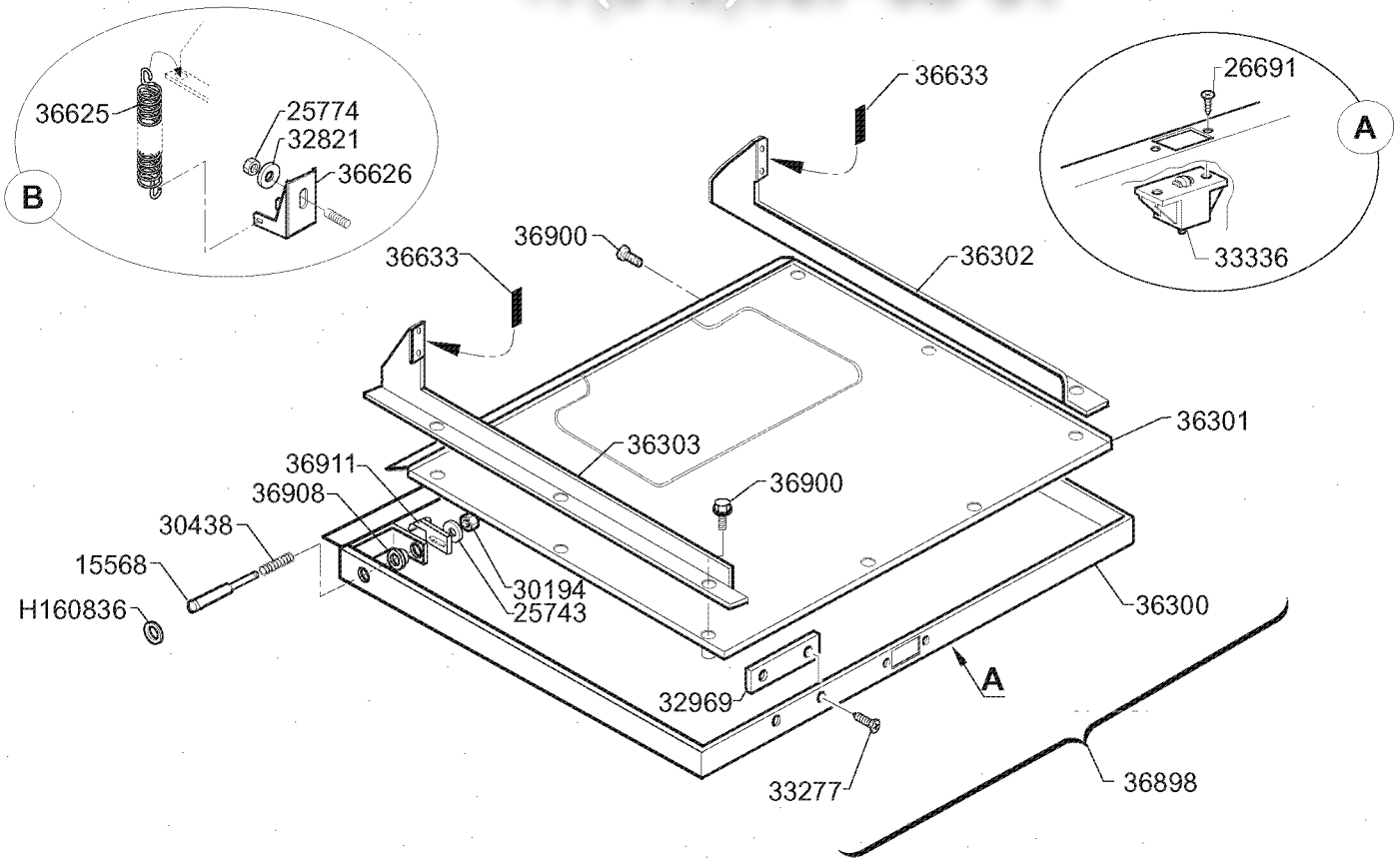


Ed.	01/2005
Rev.	
Data	

Зип-Общепит

vsezip.ru

+7(812)987-08-81

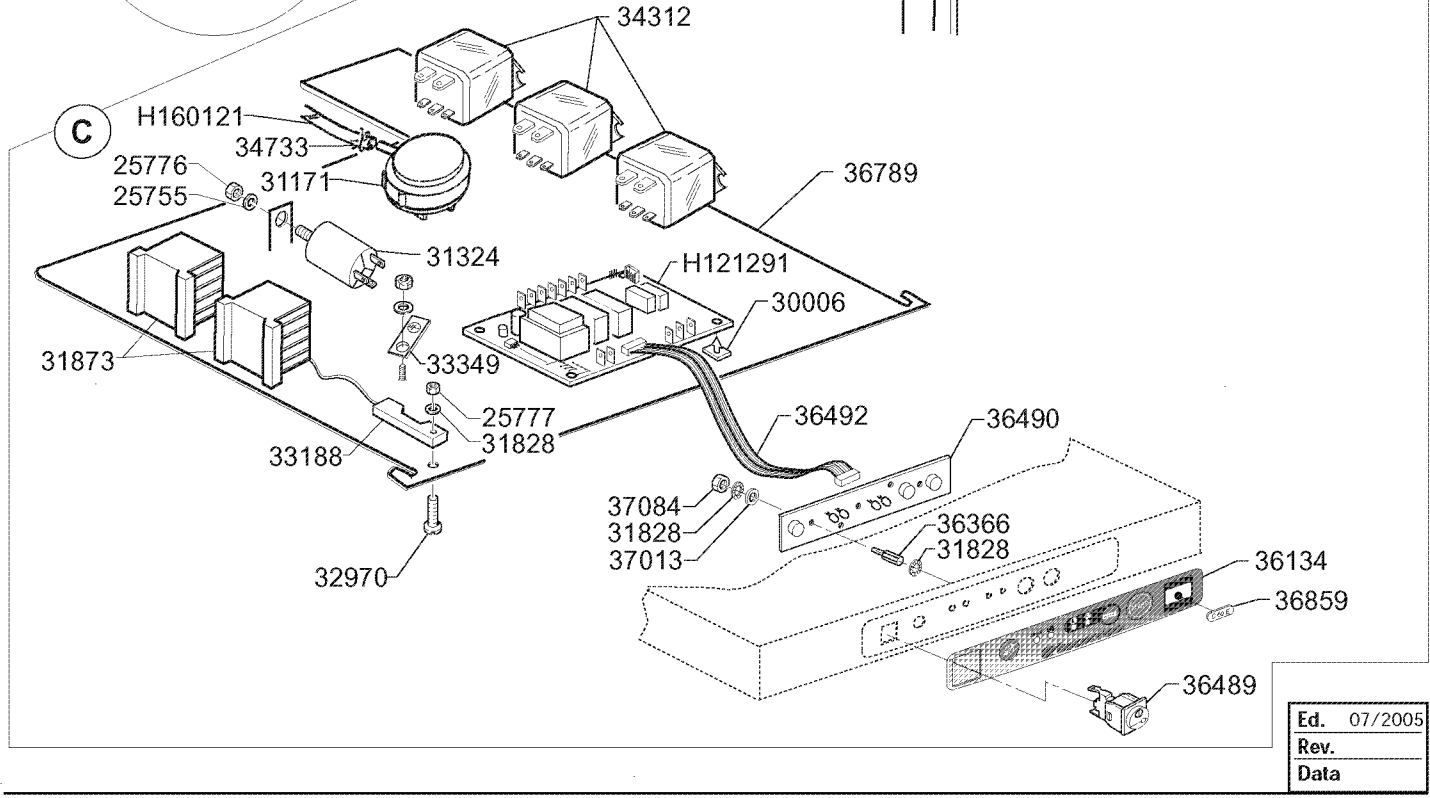
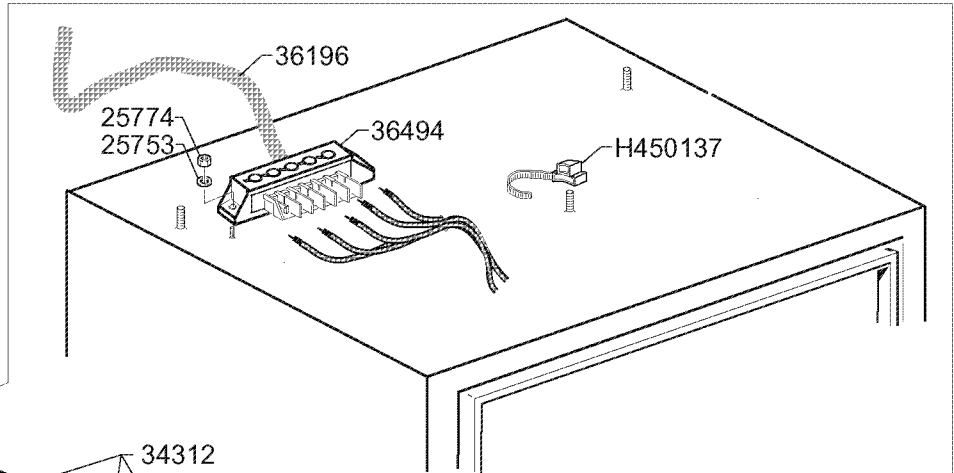
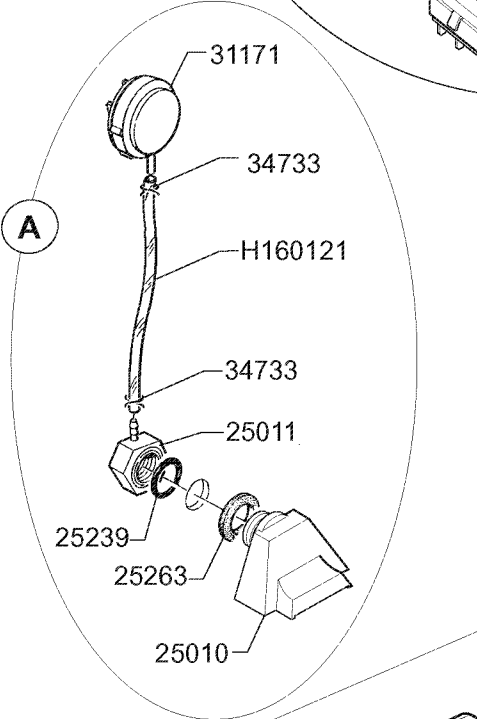
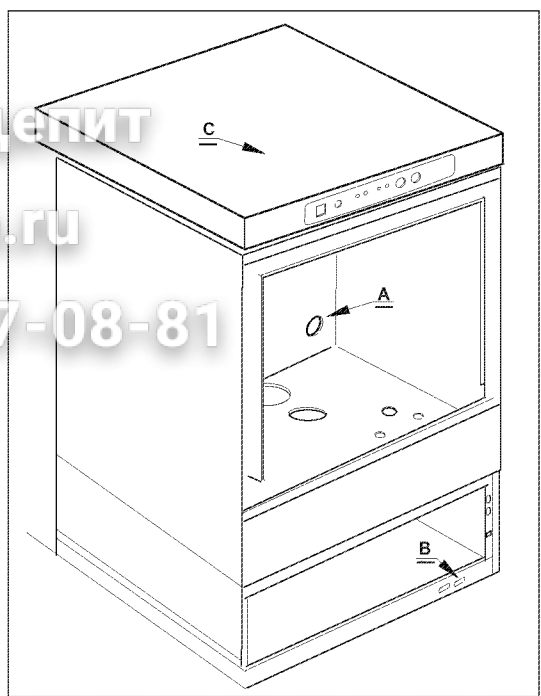
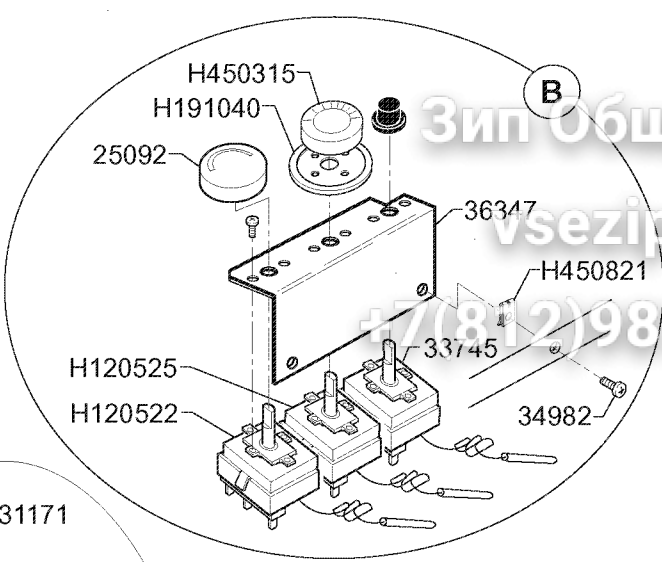


Ed.	01/2005
Rev.	
Data	

Зип-Общепит

vsezip.ru

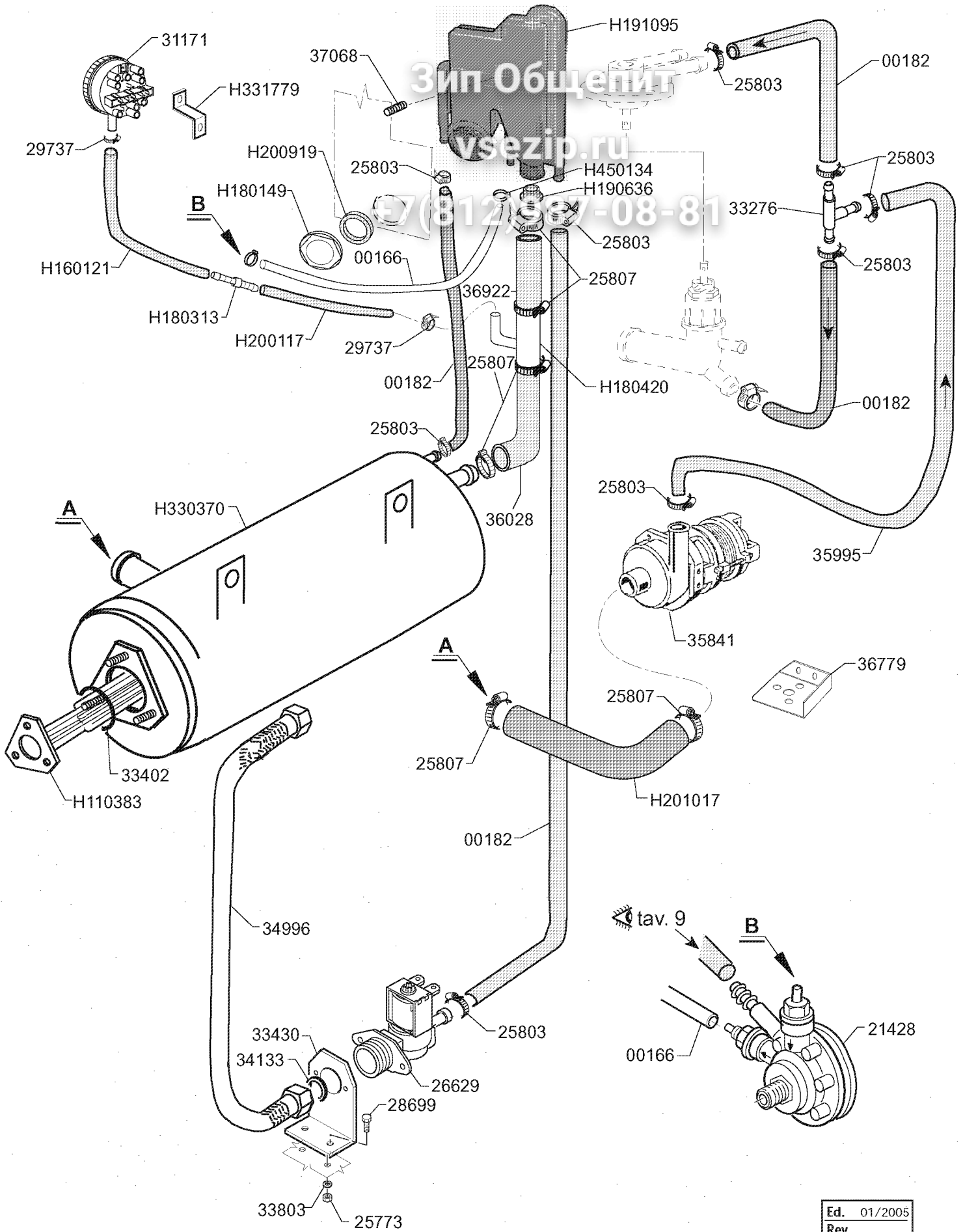
+7(812)987-08-81



Ed.	07/2005
Rev.	
Data	

Зип Общепит  
vsezip.ru

812/397-08-81



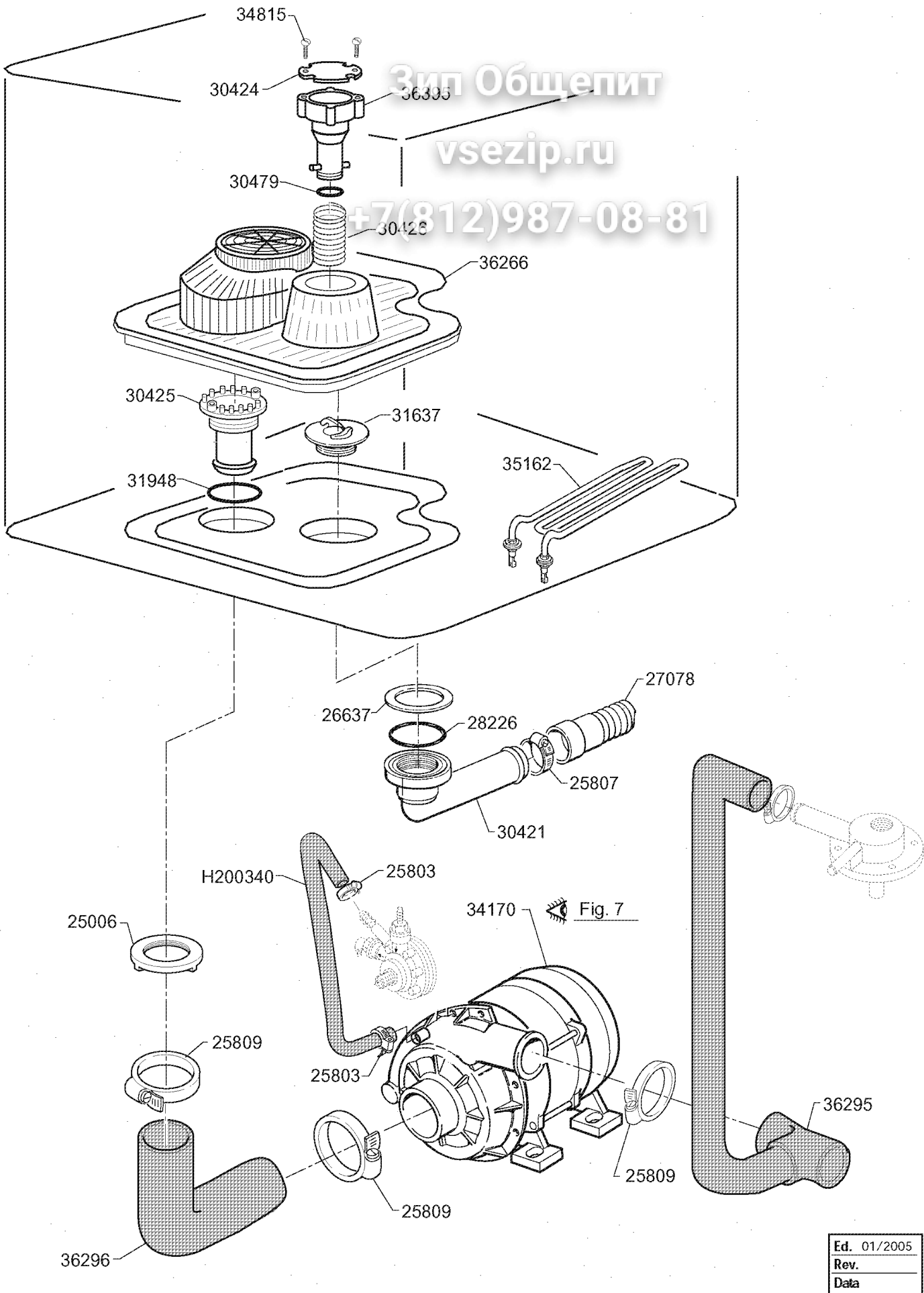
Ed.	01/2005
Rev.	
Data	



Зип Общепит

vsezip.ru

+7(812)987-08-81



Ed. 01/2005
Rev.
Data

# Зип Общепит

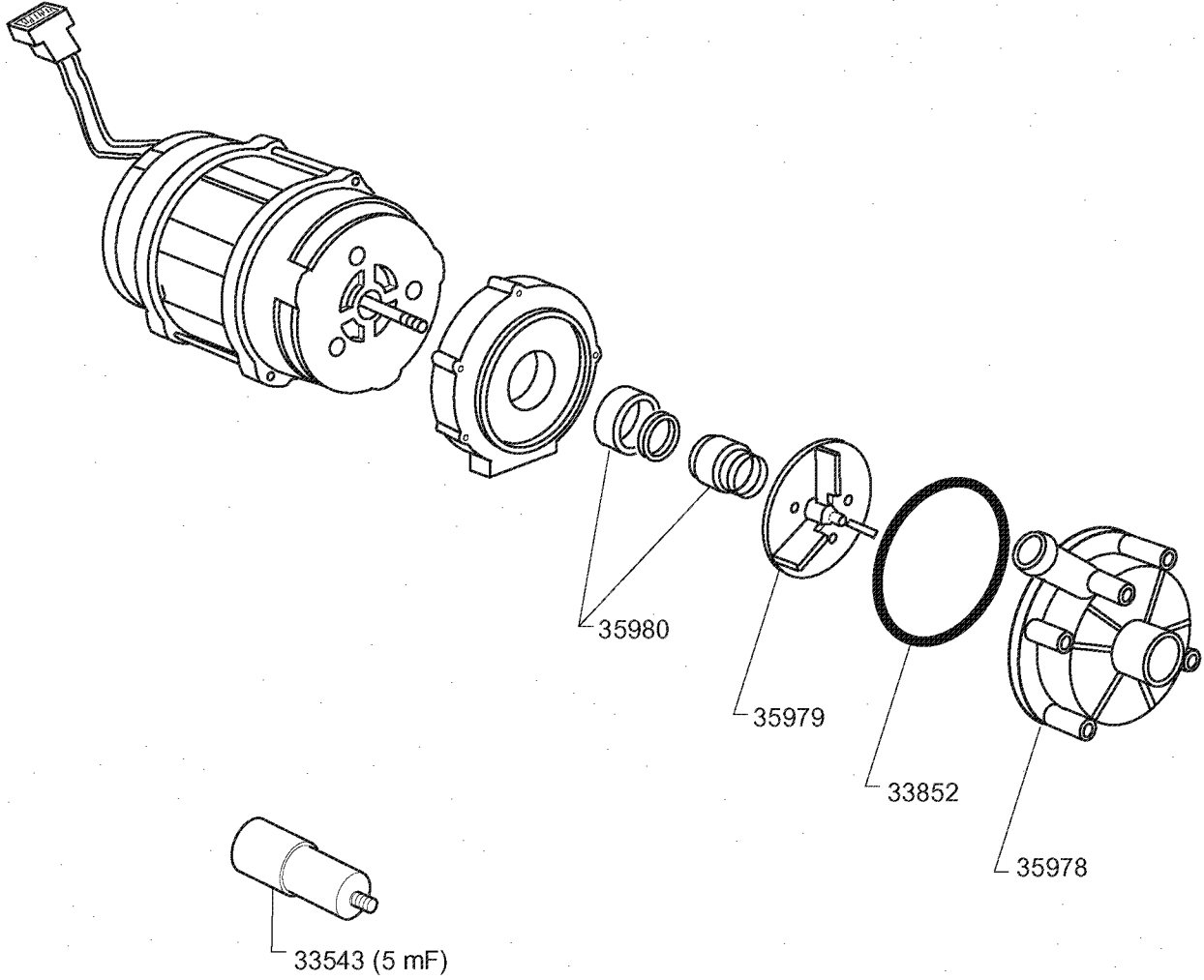
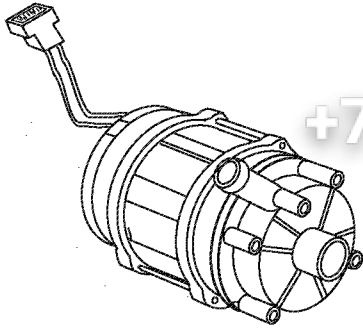
vsezip.ru

35841

+7(812)987-08-81

230 V - 50 Hz

Kw. 0,2



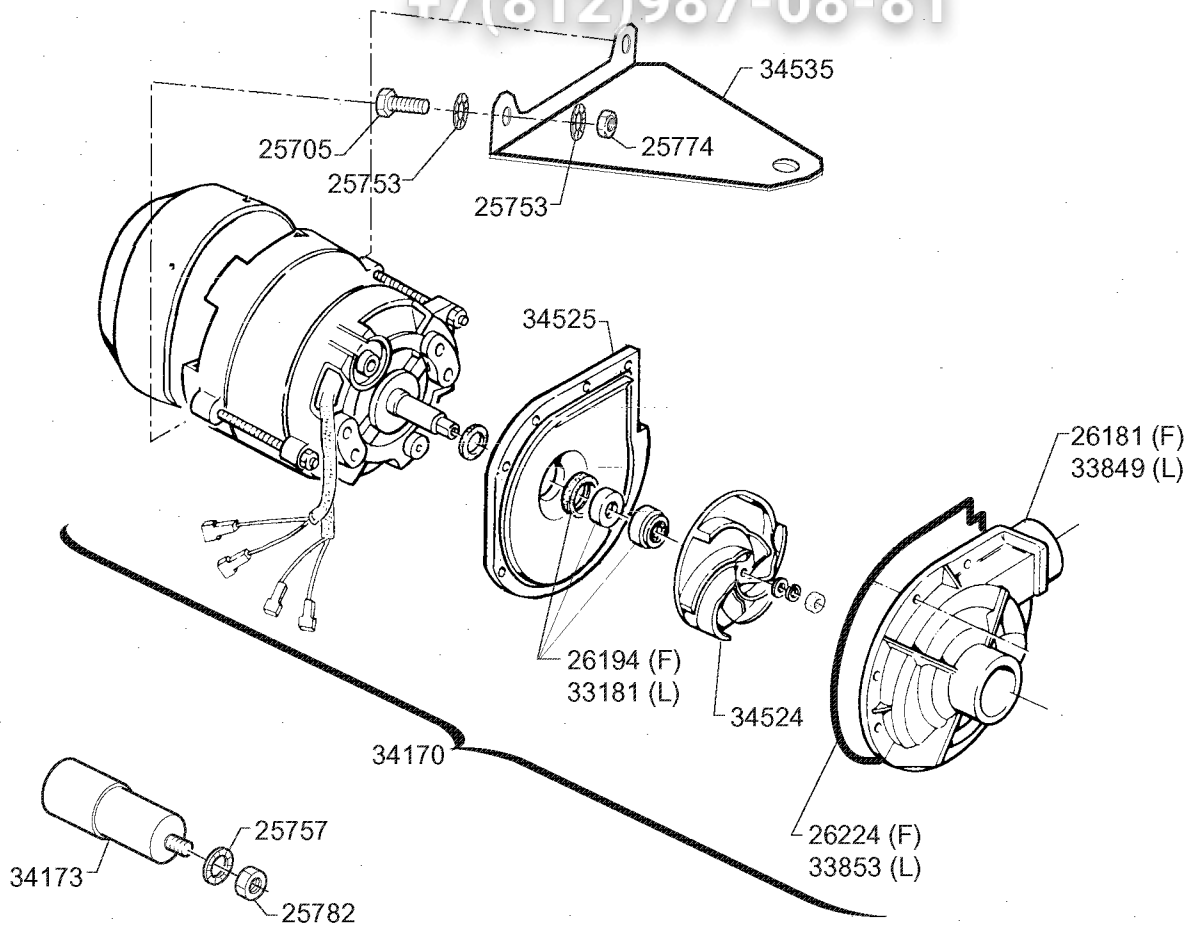
Ed.	01/2005
Rev.	
Data	



Зип Общепит

vsezip.ru

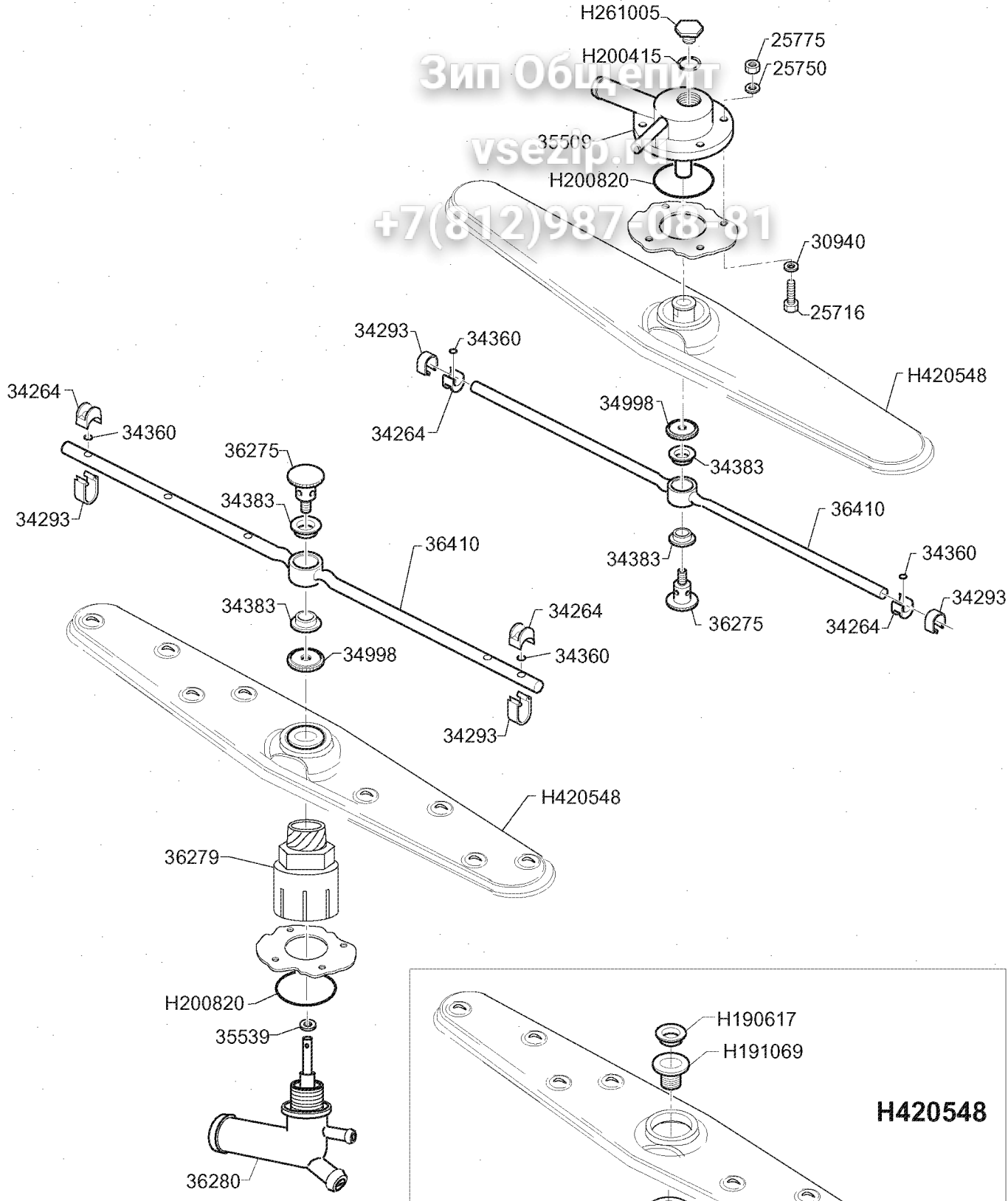
+7(812)987-08-81



Ed. 01/2005
Rev.
Data

Зип Общепит  
vsezip.ru

+7(812)987-08-81

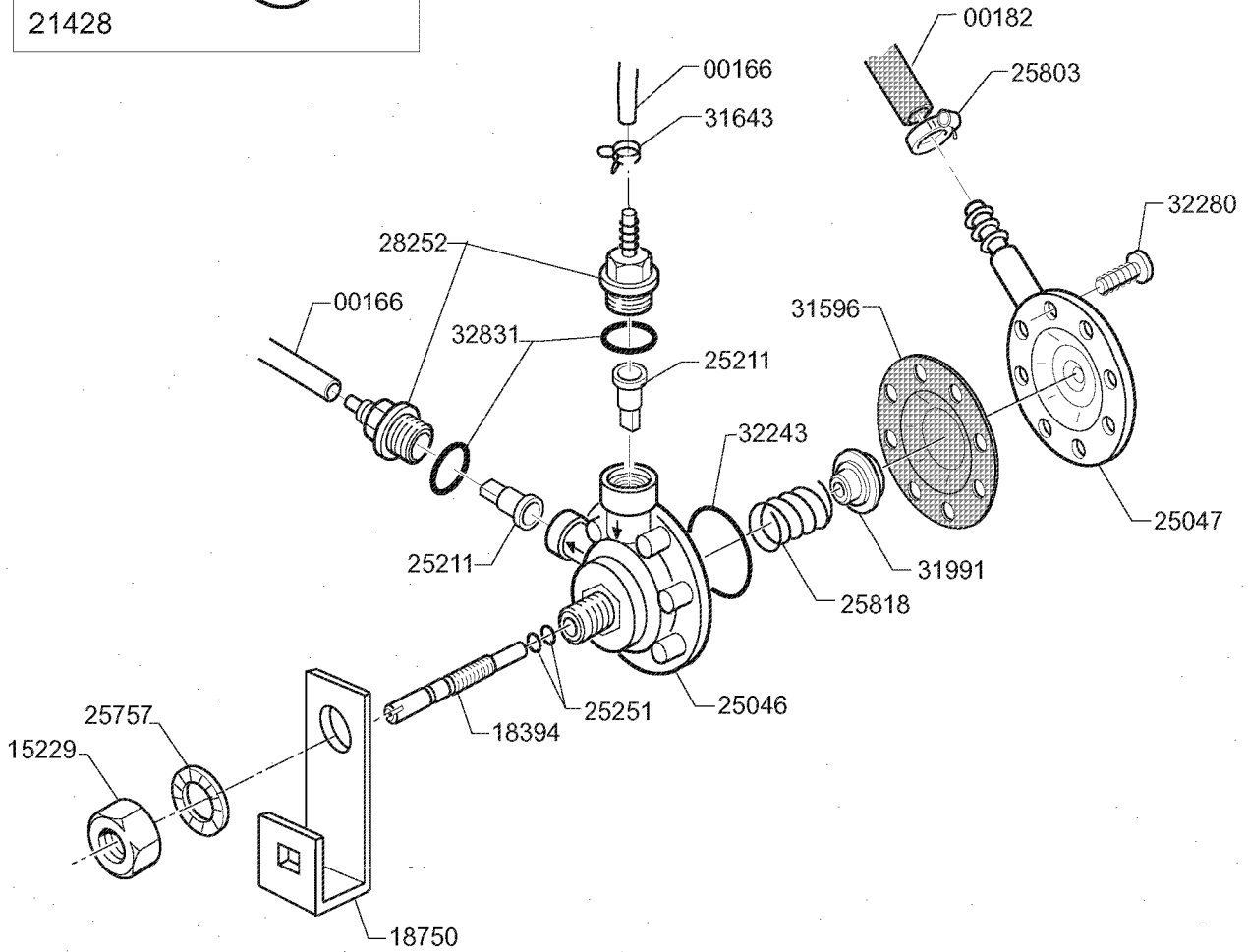
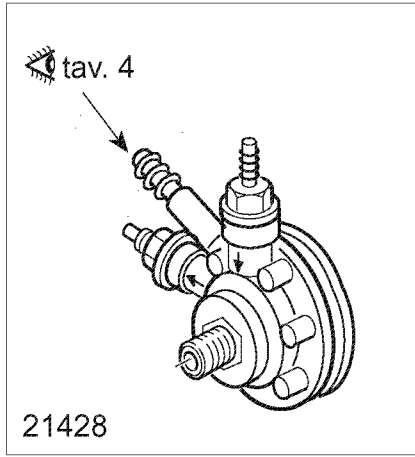


Ed.	09/2004
Rev.	
Data	

Зип Общепит

vsezip.ru

+7(812)987-08-81

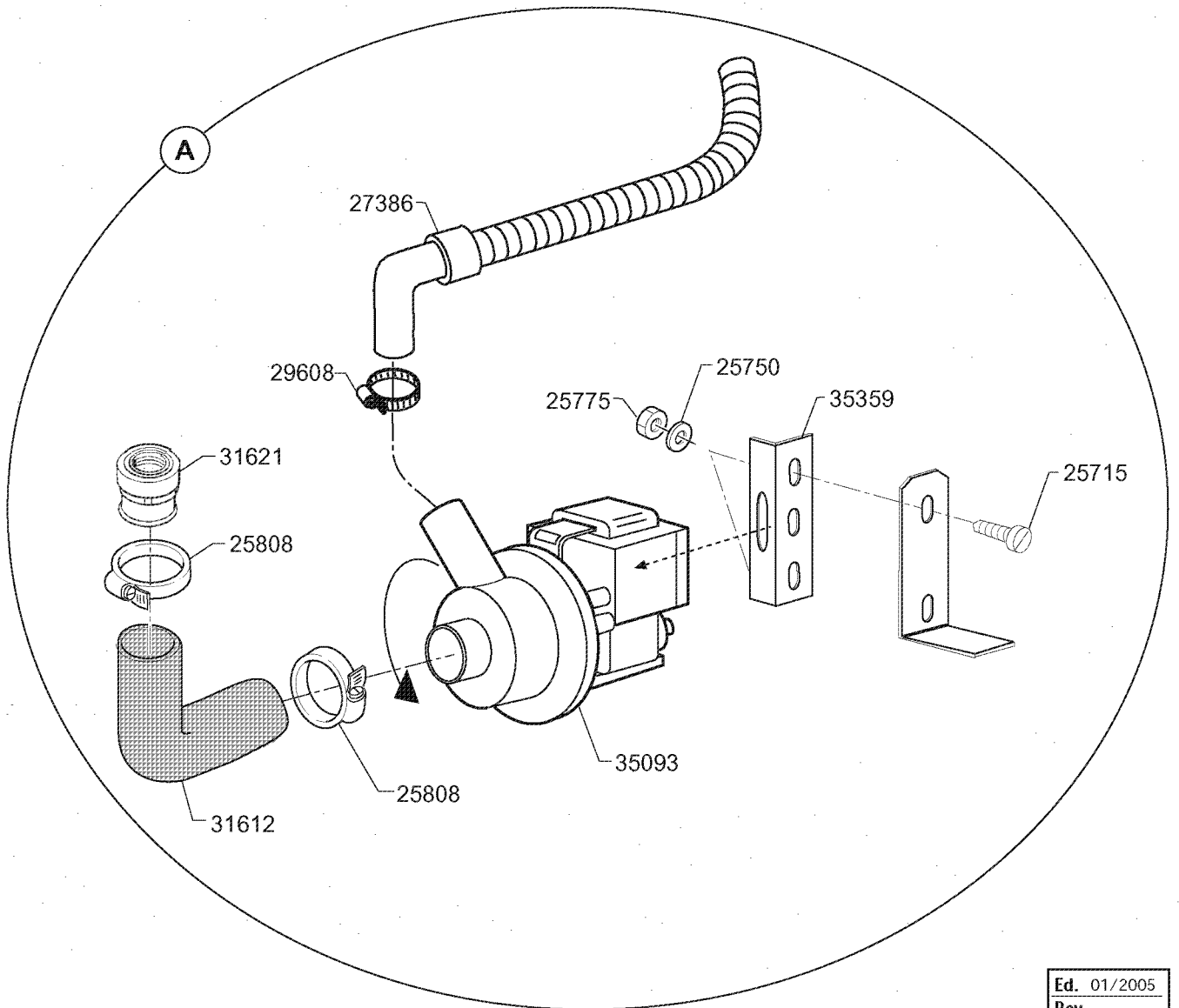
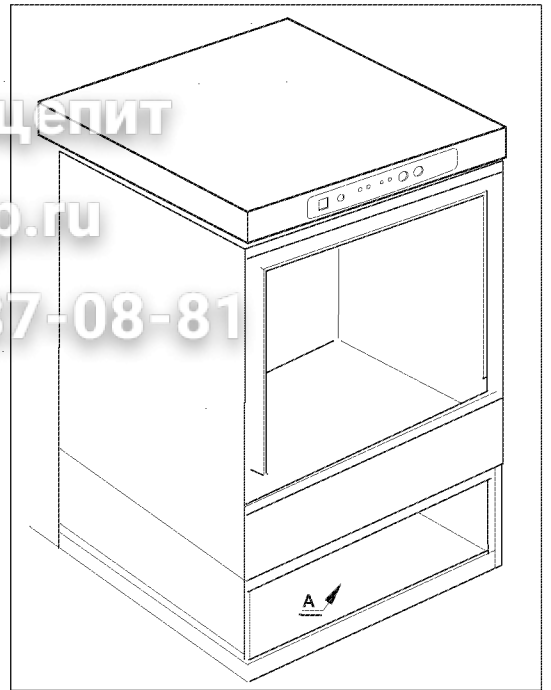


Ed.	01/2005
Rev.	
Data	

Зип Общепит

vsezip.ru

+7(812)987-08-81

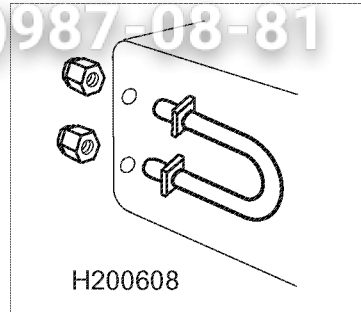
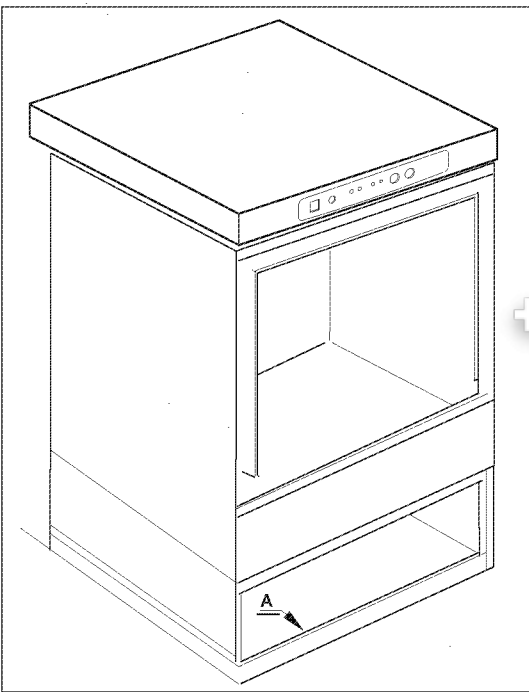


Ed.	01/2005
Rev.	
Data	

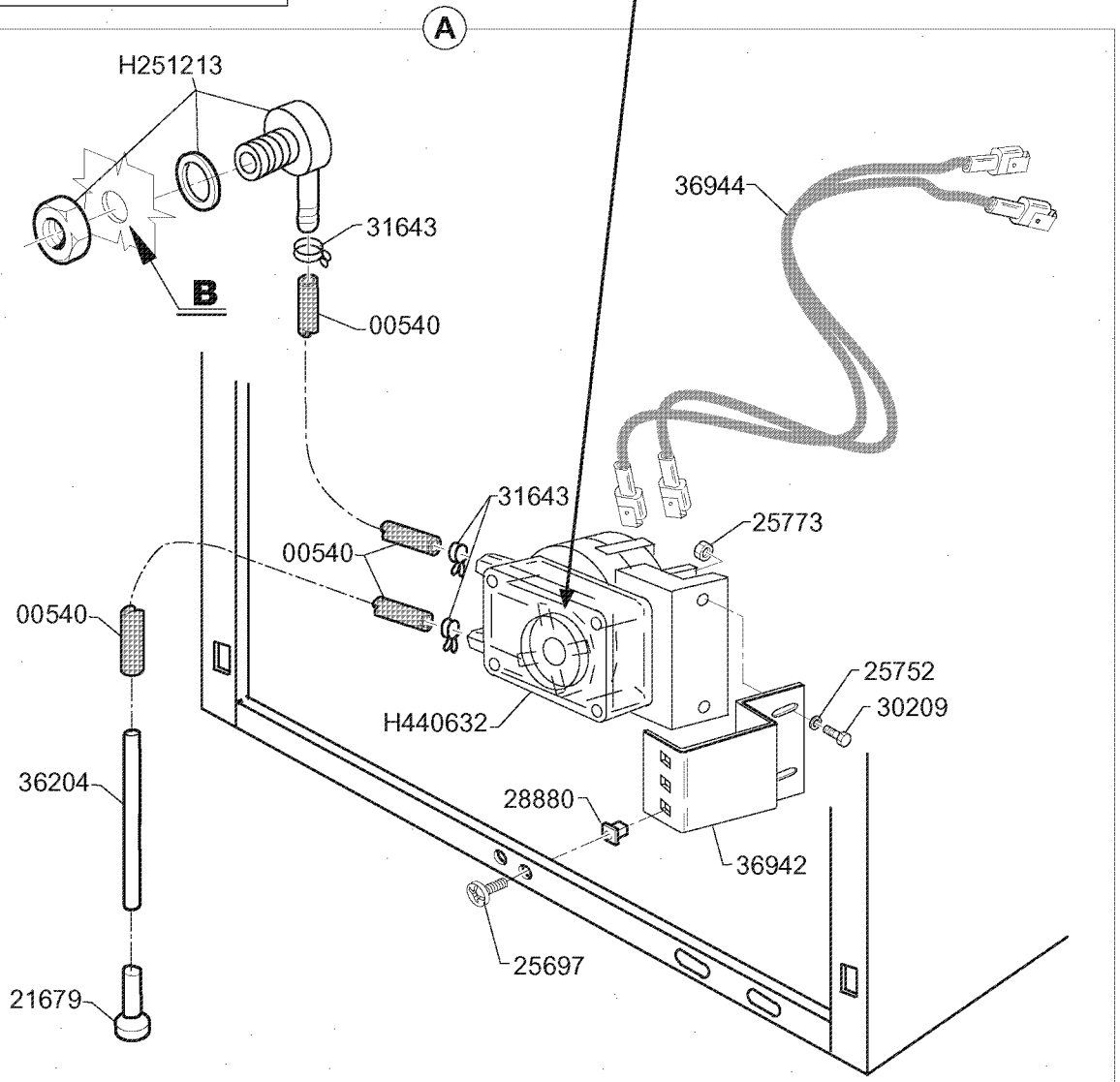
Зип Ощепит

vsezip.ru

+7(812)987-08-81



36943



Ed.	01/2005
Rev.	
Data	

Seite	Pos	Kreditor Artikel Nr.	IT	GB
002		H200489	GUARNIZIONE 86X72X2 NEOPR.	GASKET 86X72X2 NEOPRENE
002		36411	GUIDA CESTELLO DX C53/60 E	DRUM RIGHT GUIDE C53/60 E
002		36412	GUIDA CESTELLO SX C53/60 E	DRUM LEFT GUIDE C53/60 E
002		36653	GUAINA TERM. 1 TUBO H=55	STAINL.ST.SHIELD FOR THERMOSTAT H=55
002		36655	MOLLA x BLOCCAGGIO GUAINA TERM	STAINL. ST.SHIELD x THERM. SPRING
002		36663	PANNELLO POST.C 60 E BT	PANEL REAR C 60 E BT
002		36920	VITE TE FL M 5 X 10 A2 ZIG.	SCREW HEX.HD M 5 X 10 A2 ZIG.
002		H450821	FASTENERS LSNU 2569"5MA"	SPRING CLIP FASTENER LSNU 2569"5MA"
002		H160755	TAPPO + GHIERA 180127 FORO SAL	CATCH PLUG 180127
002		H260238	VITE INOX "TB" 4x10	SCREW SS "TB" 4x10
002		36313	PANNELLO POST.BASAMENTO C60 E	PANEL REAR BASE C 60 E
002		36453	CARROZZERIA CPL 60 E BT	BODY, CPL 60 E BT
002		36926	GUARNIZ.SIL.PORTA 15X18 C60-C68E	Gasket f. wash door 15X18 C60-C68E
002		25752	RONDELLA DENTEL.DIAM.4 D.E.	TOOTHED SPACER DIAM.4 D.E.
002		36310	PANNELLO FRONTALE C 60 E	FRONT GUARD, TANK C 60 E
002		36654	DADO x GUAINA 1/2" ES.26	NUT x STAINL.ST.SHIELD x THERM. 1/2" ES.26
002		25266	GUARNIZIONE PIATTA 18 X 10 X 2	FLAT GASKET 18 X 10 X 2
002		25744	RONDELLA PIANA DIAM.5	SPACER, FLAT, DIAM.5
002		25773	DADO 4 MA INOX 18/8	NUTS 4 MA SS 18/8
002		25791	DADO AUTOBLOCCANTE 5 MA BASSO	SELF-LOCKING NUT 5 MA LOWER SIDE
002		26966	TAPPO CHIUSURA FORO 10 DET.	HOLE CLOSING PLUG
002		33408	GOMMA SPUGNA ADES. 8X4 NEOPREN	NEOPREN ADHESIVE GASKET 8 X 4
002		36308	PANNELLO SUP.COMANDI C60 E	PANEL UPPER C 60 E
002		25209	PIEDINI BASE ESAGONALE	FEET, HEXAG. BASE
002		33749	FISSACAVO PA 277	CABLE CLAMP PA 277
002		27155	DADO IN PLASTICA 10 M	PLASTIC NUT10 M
002		34332	GUARNIZIONE OR 128 TAPPO SUPP.	GASKET OR 128 SUPP.PLUG
002		25693	VITE AUTOFIL. TS 4,2X13 INOX	SELF-TAPPING SCREW BEVEL H. 4,2X13 SS
003		36911	PIASTRINA LEV.PERNO PORT.C-E	SLIDE PLATE FOR DOOR STAY CE
003		36302	GUIDA PORTELLO DX C 60 E	DOOR GUIDE, DX C 60 E
003		36625	MOLLA X PORTA C6-C60E (7,3kg)	DOOR SPRING C6-C60E (7,3kg)
003		36633	GOMMINO PARAC. PORT. C53/60 E	CORNER PROTECTION RUBBER C53/60 E
003		36898	PORTEL.TAMB.C6/60 E L589xH451	DOOR ASSEMBLY CPL C6/60 E L589xH451
003		36908	BUSSOLA PERNO PORT. SERIE C-E	BUSH AT DOOR C E SERIES
003		36301	PANNELLO CONTROP. C 60 E	INNER DOOR PANEL C 60 E
003		36303	GUIDA PORTELLO SX C 60 E	DOOR GUIDE, SX C 60 E
003		H160836	ANELLO X PERNO SP08(COD 34143)	RING X PIN SP08(COD 34143)
003		36900	VITE TE M 4X12 FLANGIATA INOX	SCREW HEX.HD M 4 X 20 SS
003		26691	VITE TS M 4 X 8	SCREW TS M 4 X 8
003		36626	SQUADRETTA FIS.MOLLA C6-60-68E	SPRING CLIPPING BRACKET, C6-60-68E
003		36300	PORTELLO CPL C 60 E	DOOR CPL C 60 E
003		25774	DADO 5 MA	NUTS 5 MA
003		15568	PERNO MOBILE X PORTELLO	MOBILE DOWEL FOR DOOR
003		30194	DADO AUTOBLOCCANTE 4 MA	SELF-LOCKING NUT 4 MA
003		30438	MOLLA X PERNO E PORTA	SPRING FOR PIN AND DOOR
003		32821	RONDELLA PIANA DIAM.5,5/15	FLAT WASHER DIAM 5,5/15
003		32969	MAGNETE X CONTATTO M350 AP	MAGNET FOR CONTACT M350 AP
003		33277	VITE AUTOF. TSP 2,9 X 9,5	SELF-TAPPING SCREW TSP 2,9 X 9,5
003		33336	SCROCCHETTO A ROTELLA	ROLLER DOOR LATCH
003		25743	RONDELLA PIANA DIAM. 4	SPACER, FLAT, DIAM. 4
004		36789	SUPPORTO IMP.TO ELETT. 60 E BT	SUPPORT, ELECTR.PLANT 60 E BT
004		36494	MORSETTIERA 6 POLI FV 122V/V	TERMINAL BLOCK 6 P FV 122V/V
004		36492	Cavo Colleg. 500 Mm. 10 Poli	500 Mm. 10 Poli CONNECTION CABLE
004		36490	Tastiera Comandi Oriz. Serie C	C HORIZ. CONTR. KEYBOARD
004		36489	Inter.cm Bip.dev.linea Azzurro	
004		36366	DISTANZ.xINTERR.TAST. SNAP H10	SPACER FOR KEYBOARD CUTOFF SNAP H10
004		36859		
004		36196	CAVO PENT.5Gx2,5x3,5mt H07RN-F	SUPPLY CABLE . 5Gx2,5x3,5mt H07RN-F
004		H450137	ATTACCO A COLLARE C/BASE 31900	COLLAR COUPLING WITH BASE 31900
004		36347	SQUADRETTA 3 TERMOSTATI 301HT	HOLDER TRHEE THERMOSTATS
004		37013		
004		37084		
004		H120522	TERMOSTATO 90°C BULBO 45 TR2	THERMOSTAT 90°C BULBO 45 TR2
004		H120525	TERMOSTATO A 2 TEMPERATURE TRZ	2-TEMPER. THERMOSTAT TRZ
004		H121291	TIMER ELETT. x TAST.922079/01	PRINT.CIRC.BOARD 922079/01
004		H191040	MASCHERINA MANOP.TERMOSTATO	THERMOSTAT KNOB SHIELD
004		H450315	MANOP.TERM.90°COMENDA 109951	KNOB F. THERMOSTAT 90°
004		H450821	FASTENERS LSNU 2569"5MA"	SPRING CLIP FASTENER LSNU 2569"5MA"
004		25263	GUARN. PIATTA 38 X 25 X 2 TRAP	FLAT GASKET 38 X 25 X 2 A.TRAP

Seite	Pos	Kreditor Artikel Nr.	IT	GB
004		36134	TARGA COMANDI C - E	CONTROL BOARD PLATE C - E
004		H160121	TUBO GOMMA NERA "5 X 9"	HOSE, BLACK RUBBER D. 5 X 9
004		25239	GUARN. OR PB 701 3112 x TRAPP.	GASKET OR PB 701 3112 x AIR TRAP
004		34982	VITE M 5 X 12 T1/2 TONDA COMBI	SCREW M5X12, HALF-ROUND HD. COMBI
004		25755	RONDELLA DENTELL.DIAM. 8	TOOTHED SPACER DIAM.8
004		25092	MANOPOLA NERA INDICE BIANCO	HANDLE, BLACK WHITE INDEX
004		25753	RONDELLA DENTEL.DIAM.5 D.E.	TOOTHED SPACER.DIAM.5 D.E.
004		25010	TRAPPOLA ARIA	AIR TRAP
004		25774	DADO 5 MA	NUTS 5 MA
004		25776	DADO 8 MA INOX 18/8	NUTS 8 MA SS 18/8
004		25777	DADO 3 MA	NUTS 3 MA
004		30006	DISTANZIALE X SUPP.CIRC.STAMP.	SPACER FOR PRINTED CIRC. HOLDER
004		34733	FASCETTA A FILO X TUB.9,8-10,1	WIRE PIPE CLAMP FOR 9,8-10,1 PIPE
004		25011	CALOTTA X TRAPPOLA ARIA	COVER X AIR TRAP
004		31171	PRESSOSTATO TAR. 28/12+-3	PRESSURE SWITCH, RATED 28/12+-3
004		33745	LIMITATORE 110° RIARMO MANUALE	LIMITER 110° MANUAL RESET
004		33349	TARGHETTA INDICAZIONE TERRA	INDICAT.PLATE, EARTHING
004		33188	SENSORE MAGNETICO	MAGNETIC SENSOR
004		32970	VITE TS 3 X 20 CROCE	BEVEL, CROSS-SLOT HD. SCREW TS 3 X 20
004		31873	TELERUTTORE 220-240V- B6-30-10	REMOTE SWITCH 220-240V- B6-30-10
004		31828	RONDELLA DENTEL.E. DIAM.3	DENTED ROUND SPACER, EX 3
004		31324	FILTRO ANTIDISTURBO TIPO 5001	NOISE FILTER, TYPE 5001
004		34312	RELE'T.A2S FA 16A 230V	T.RELAY A2S FA 16A 230V
005		36028	TUBO GOMMA BOILER/TEE AIR GAP	RUBBER HOSE, BOILER/T-SHAPE AIR GAP
005		H201017	MANICOTTO ASP.POMPA RISCIAQUO	SLEEVE, RINSE SUCTION PUMP
005		H180149	GHIERA x SERB. AIR GAP H191095	RING NUT, AIR GAP TANK H191095
005		36779	SQUADRETTA SUPP. POMPA RISCIA	HOLDING SUPP. RINSING PUMP
005		36922	TUBO GOMMA TEE/SERB. A.G.L=235	RUB.HOSE,TEE/SERB. A.G.L=235
005		37068		
005		H110383	RES.FL.6000 240/415-5000 220	FLGD.HEAT.ELEM. 6KW 240/415-5KW 220
005		H160121	TUBO GOMMA NERA "5 X 9"	HOSE, BLACK RUBBER D. 5 X 9
005		H180313	PORTAGOMMA TUBI PRESSOST. BT	HOSE FITTING BT
005		H180420	TEE AIR GAP	T-SHAPED AIR GAP
005		H190636	BUSSOLA X MULINELLO LAV. "C"	BUSH FOR "C" WASH ARM
005		H191095	SERBATOIO AIR GAP	TANK AIR GAP
005		H200919		
005		H330370	BOILER C 60 E BT	BOILER C 60 E BT
005		H331779	SQUADRETTA PRESSOST."B"	FIX.SQUARE FOR PRESS.GAUGES "B"
005		34996	TUBO DI CARICO 90°C VDE	FILLING HOSE, 90° VDE
005		H450134	FASCET. A DUE FILI D.9,3/8,8	ELASTIC HOSE CLIP 2-WIRE D.9,3/8,8
005		H200117	TUBO GOMMA 8X15 INDUSTRIA 10	RUBBER HOSE 8X16, INDUSTR,10
005		25773	DADO 4 MA INOX 18/8	NUTS 4 MA SS 18/8
005		35995	MANICOTTO MAND.POMPA RISC.	DELIVERY SLEEVE, RINSE PUMP
005		35841	POMPA KW 0,2 ZF131DX 230V-60BT	PUMP, 0,2 KW ZF131DX 230V-60BT
005		00166	TUBETTO TRASP. 4x7 IN ROLOTO	ROLL TUBE TRANSP. 4X7
005		21428	DOSATORE BRIL.COMENDA(2-28252)	RINSE AID DISPENSER, COMENDA(2-28252)
005		25803	FASCETTA STRINGITUBO 13-20 ABA	HOSE CLIP 13-20 ABA
005		25807	FASCETTA STRINGITUBO 26-38 ABA	HOSE CLIP 26-38 ABA
005		26629	ELETTROVALVOLA SING.3/4" T/N	SOLENOID VALVE, SING.3/4" T/N
005		33803	RONDELLA GROWER DIAM.4	SPACE WASHER, GROWER DIAM.4
005		00182	TUBO GOMMA 11X19 CASER/15"BLU"	HOSE 11X19 CASER/15"BLUE"
005		34133	REGOLATORE QTA' 14 LT.	CONTROL QTY 14 LT.
005		28699	VITE TC 4 X 10	CHEESE-HD SCREW TC 4 X 10
005		33430	SQUADRETTA UNIFICATA	STANDARD SQ.BRACKET
005		33402	GUARN. OR 6X56X68	GASKET OR 6X56X68
005		33276	CONNETTORE A T-D11,5-COM180413	T-SHAPED CONNECTOR 11,5-PART180413
005		31171	PRESSOSTATO TAR. 28/12+-3	PRESSURE SWITCH, RATED 28/12+-3
005		29737	FASCETTA FE ZN 9 - 12	FE-ZN CLAMP 9 - 12
006		H180420	TEE AIR GAP	T-SHAPED AIR GAP
006		00182	TUBO GOMMA 11X19 CASER/15"BLU"	HOSE 11X19 CASER/15"BLUE"
006		36922	TUBO GOMMA TEE/SERB. A.G.L=235	RUB.HOSE,TEE/SERB. A.G.L=235
006		37068		
006		H110383	RES.FL.6000 240/415-5000 220	FLGD.HEAT.ELEM. 6KW 240/415-5KW 220
006		H160121	TUBO GOMMA NERA "5 X 9"	HOSE, BLACK RUBBER D. 5 X 9
006		H180149	GHIERA x SERB. AIR GAP H191095	RING NUT, AIR GAP TANK H191095
006		H180313	PORTAGOMMA TUBI PRESSOST. BT	HOSE FITTING BT
006		36779	SQUADRETTA SUPP. POMPA RISCIA	HOLDING SUPP. RINSING PUMP
006		H191095	SERBATOIO AIR GAP	TANK AIR GAP
006		H200117	TUBO GOMMA 8X15 INDUSTRIA 10	RUBBER HOSE 8X16, INDUSTR,10

Seite	Pos	Kreditor Artikel Nr.	IT	GB
006		H200919		
006		H201017	MANICOTTO ASP.POMPA RISCIACCIO	SLI EVE, RINSE SUCTION PUMP
006		H330370	BOILER C 60 E BT	BOILER C 60 E BT
006		H331779	SQUADRETTA PRESSOST."B"	FIX.SQUARE FOR PRESS.GAUGES "B"
006		H450134	FASCET. A DUE FILI D.9,3/8,8	FLASTIC HOSE CLIP 2-WIRE D.9,3/8,8
006		36028	TUBO GOMMA BOILER/TEE AIR GAP	RUBBLR HOSE, BOILER/T-SHAPE AIR GAP
006		H450149		
006		25791	DADO AUTOBLOCCANTE 5 MA BASSO	SELF LOCKING NUT 5 MA LOWER SIDE
006		35995	MANICOTTO MAND.POMPA RISCIACCIO	DELIVERY SLEEVE, RINSE PUMP
006		21428	DOSATORE BRIL.COMENDA(2-28252)	RINSE AID DISPENSER, COMENDA(2-28252)
006		05095		
006		25746	RONDELLA PIANA DIAM.6/18	SPACER, FLAT, DIAM.6/18
006		25803	FASCETTA STRINGITUBO 13-20 ABA	HOSE CLIP 13-20 ABA
006		25807	FASCETTA STRINGITUBO 26-38 ABA	HOSE CLIP 26-38 ABA
006		26629	ELETTROVALVOLA SING.3/4" T/N	SOLENOID VALVE, SING.3/4" T/N
006		34996	TUBO DI CARICO 90°C VDE	FILLING HOSE, 90° VDE
006		31171	PRESSOSTATO TAR. 28/12+3	PRESSURE SWITCH, RATED 28/12+3
006		33276	CONNETTORE A T-D11,5-COM180413	T-SHAPED CONNECTOR Ø11,5-PART180413
006		33402	GUARN. OR 6X56X68	GASKET OR 6X56X68
006		33430	SQUADRETTA UNIFICATA	STANDARD SQ.BRACKET
006		34133	REGOLATORE QTA' 14 LT.	CONTROL QTY 14 LT.
006		29737	FASCETTA FE ZN 9 - 12	FE-ZN CLAMP 9 - 12
006		00166	TUBETTO TRASP. 4x7 IN ROTOLO	ROLL TUBE TRANSP. 4X7
006		35841	POMPA KW 0,2 ZF131DX 230V-60BT	PUMP, 0,2 KW ZF131DX 230V-60BT
007		31637	GHIERA CON GANCIO S/ZA CROCE	CROSSLESS HOOK SLEEVE
007		31948	GUARNIZIONE OR	GASKET OR
007		34170	ELETTROPOMPA HP. 1 STS/C60 C80	WASH PUMP HP. 1 STS/C60 C80
007		34815	VITE AUT. T/TCROCE 3,9 X 13	CROSS-SL.HD SELF-TAP.SCREW3,9 X 13
007		35162	RESIS. V. 2000 W-230V RAC.INOX	HEAT.EL. V. 2000 W-230V RAC.SS
007		36295	MANICOTTO MAND.LAV. C 53/60 E	DELIV.SLEEVE C 53/60 E
007		H200340	MANICOTTO B25-7-12-CONT.SAL.	SALT CONTAINER HOSE B25-7-12
007		30479	GUARNIZIONE OR 4081	GASKET OR 4081
007		36266	FILTRO VASCA POLIP. C 53-60 E	TANK FILTER CPL C 53-60 E
007		36395	TROPPOPIENO C53/60 E H=120	OVERFLOW TUBE PREASS.C53/60 E H=120
007		30425	PILETTA ASPIRAZIONE	SUCTION PIPE UNION
007		30424	COPERCHIO X TROPPOPIENO	COVER FOR OVERFLOW TUBE
007		30421	RACCORDO DI SCARICO LUNGO	DRAIN FITTING, LONG
007		28226	GUARNIZ. OR 3181 X PIPA SCARICO	GASKET OR 3181 FOR DRAIN LUG
007		27078	TUBO DI SCARICO DIAM.24X1500	DRAIN HOSE, DIA.24X1500
007		26637	GUARNIZIONE PIATTA 55 X 42 X 2	FLAT GASKET 55 X 42 X 2
007		36296	MANICOTTO ASPIRAZ. C 53/60 E	SUCTION SLEEVE C 53/60 E
007		25809	FASCETTA STRINGITUBO 40-64CLAM	HOSE CLIP 40-64CLAM
007		25807	FASCETTA STRINGITUBO 26-38 ABA	HOSE CLIP 26-38 ABA
007		25803	FASCETTA STRINGITUBO 13-20 ABA	HOSE CLIP 13-20 ABA
007		25006	GHIERA PILETTA ASP. P.	NUT FO DRAIN SUCT. P.
007		30426	MOLLA X TROPPOPIENO	SPRING FOR OVERFLOW TUBE
008		33543	CONDENSATORE 5 UF-450 V	CAPACITOR 5 UF-450 V
008		35980	TENUTA MECC.POMPA ZF131(35841)	MECH. SEAL, PUMP ZF131(35841)
008		35979	GIRANTE ZF130 D.73 3P x(35841)	IMPELLER ZF130 D.73 3P x (35841)
008		35978	CHIOCCIOLA POMPA ZF131 (35841)	PUMP SCROLL ZF131 (35841)
008		33852	GUARNIZIONE OR.75,87*2.62	GASKET, OR, 75,87*2.62
008		35841	POMPA KW 0,2 ZF131DX 230V-60BT	PUMP, 0,2 KW ZF131DX 230V-60BT
009		33849	CHIOCC.ZF340 SX A45/M40 PORTAG	PUMP HOUS.ZF340 LEFT A45/M40 HOSE FIT
009		34525	FLANGIA LGB ZF 340	FLANGE, LGB ZF 340
009		34524	GIRANTE LGB 0591 M8SX ZF 340	IMPELLER LGB 0591 M8 LEFT ZF 340
009		34173	CONDENSATORE UF 16	CAPACITOR UF 16
009		25774	DADO 5 MA	NUTS 5 MA
009		34170	ELETTROPOMPA HP. 1 STS/C60 C80	WASH PUMP HP. 1 STS/C60 C80
009		34535	PIASTRA ADATT.FISS.POMPA LGB	ADAPT.PLATE TO FIX PUMP LGB
009		33853	GUARNIZIONE OR.SAGOMATO GRANDE	GASKET OR.SHAPED LARGE
009		26224	GUARNIZIONE CORPO POMPA	GASKET, PUMP HOUSING
009		26194	TENUTA MECC.EL.HP0,25-0,5-0,75	SHAFT SEAL WASH P.HP0,25-0,5-0,75
009		25782	DADO 8 MA	NUT 8 MA
009		25757	RONDELLA DENTEL. DIAM. 12 D.E.	TOOTHED SPACER DIAM. 12 D.E.D787
009		25753	RONDELLA DENTEL.DIAM.5 D.E.	TOOTHED SPACER.DIAM.5 D.E.
009		25705	VITE TE M 5 X 16 INOX 18/8	SCREW HEX.HD M 5 X 16 SS 18/8
009		33181	TENUTA C3 (LGB)X POM.TIP.ZF140	SHAFT SEAL C3 (LGB)FOR PUMP CODE 32926
009		26181	COPERCHIO ELETTROP.HP 0,5-0,75	COVER WASH PUMP HP 0,5-0,75
010		H261005	VITE CHIUS.PIPA PL.C75-F-FC	SCREW FOR LUG PL.C75-F-FC



Seite	Pos	Kreditor Artikel Nr.	IT	GB
010		36279	Colonnina D.39.9x Mul.infer.	Column D.39.9 f. lower arm
010		H420548	MULINELLO LAV. INOX 301ht	REVOLV. WASH ARM 301ht
010		36410	MULINELLO RISC.SAGOM.C53/60 E	Shaped rinse arm C53/60 E
010		H190617	BUSSOLE ALGOFL.MULINEL.C	BUSH, REV.WASHARMS, ALGOF.
010		H191069	MOZZO MULINELLO LAV.FC	REV.WASH ARM HUB
010		H191070	Dado Fiss. Mozzo Mul.lav.fc	Flat Nut of wash arm fc
010		H200820	GUARN.OR 5,33X46,99X57,6	OR GASKET 5,33X46,99X57,6
010		36275	Perno Mulin.risc.d.12 Rot. Dx	Rinse arm pin d. 12 - right rotation
010		H200415	GUARNIZ.DUTRAL 18,5X10X3	WIP TRAP GASKET -F 18,5X10X3
010		25716	VITE TE M 6 X 20 INOX	SCREW HEX.HD M 6 X 20 SS
010		35539	ANELLO DISTANZ.H=12 x (35659)	SPACER RING H=12 X (35659)
010		36280	Supporto Mulin. Inf. 301ht	Lower wash arm support 301 ht
010		25750	RONDELLA SPACCATA DIAM. 6	SPACER, SPLITTED, DIAM. 6
010		25775	DADO 6 MA	NUT 6 MA
010		30940	RONDELLA PIANA NERA DIAM. 6	FLAT SPACER, BLACK, DIA. 6
010		34293	MOLLETTA BLOCCAGGIO GETTO	JET LOCK SPRING
010		34360	GUARNIZIONE OR 7 X 1 NBR 70	GASKET OR 7 X 1 NBR 70
010		34383	BUSSOLA MOZZO MULINELLO RISC.	BUSH SPRING HUB, RINSE ROT.ARM
010		34998	GHIERA DISTAN. RISC. ROT. DX	SPAC.NUT, REVOLV RINSE ARM, DX
010		35509	Pipa D.39.9 X Mul.sup. Sts 6	LUG,D.39,9, UPPER REV.ARM STS 6
010		34264	GETTO RISCIAQUO CON MOLLETTA	RINSE JET WITH SPRING
011		32280	VITE TRUCC.T/TCROCE 4 X 13	OVAL HD. CROSS-SL. SCREW 4 X 13
011		25818	MOLLA CILINDRICA (FILO)	CYLINDER SPRING (WIRE)
011		28252	RACCORDO ASPIRAZ.DOSATORE	FITTING SUCTION DISPENSER
011		31596	MEMBRANA DOSATORE	DIAPHRAGM, DISPENSER
011		31643	FASCETTA A FILO 7,3-7,8	HOSE CLIP 7,3-7,8
011		32831	GUARNIZIONE OR 2062	GASKET OR 2062
011		32243	GUARNIZIONE OR 3156	GASKET OR 3156
011		25803	FASCETTA STRINGITUBO 13-20 ABA	HOSE CLIP 13-20 ABA
011		21428	DOSATORE BRIL.COMENDA(2-28252)	RINSE AID DISPENSER, COMENDA(2-28252)
011		31991	GUIDA MOLLA DOSATORE	SPRING GUIDE FOR DISPENSER
011		25757	RONDELLA DENTEL. DIAM. 12 D.E.	TOOTHED SPACER DIAM. 12 D.E.D787
011		25251	GUARNIZIONE OR 2012	GASKET OR 2012
011		25211	VALVOLINA MAND.-ASPIRAZ.DOSAT.	NON RETURN VALVE RINSE AID DISP.
011		25046	CORPO DOSATORE SUPER.	UPPER DISPENSER ASSEMBLY
011		18750	SQUADRETTA DOSATORE BRILL.	SQUARE, RINSE AGENT DISPENSER
011		18394	VITE REGOLAZ.DOSATORE	SCREW CONTROL DISPENSER
011		15229	DADO FISS. DOSATORE	LOCK NUT AID DISPENSER
011		00182	TUBO GOMMA 11X19 CASER/15"BLU"	HOSE 11X19 CASER/15"BLUE"
011		00166	TUBETTO TRASP. 4x7 IN ROTOLO	ROLL TUBE TRANSP. 4X7
011		25047	CORPO DOSATORE INFER.	LOWER DISPENSER ASSEMBLY
012		29608	FASCETTA STRINGITUBO 17-32CLAM	HOSE CLIP 17-32CLAM
012		35093	POMPA SCAR.HANNING DPS 25 50hz	DRAIN PUMP HANNING TYPE DPS 25
012		35359	SQUADR.xPSCAR. HANNING C/STS60	HOLDER. HANNING DRAIN.P. C/STS60
012		31612	MANICOTTO SCARICO A GOMITO	ELBOW DRAIN SLEEVE
012		25808	FASCETTE STRINGITUBO 27-51CLAM	HOSE CLIP 27-51CLAM
012		25775	DADO 6 MA	NUT 6 MA
012		25750	RONDELLA SPACCATA DIAM. 6	SPACER, SPLITTED, DIAM. 6
012		25715	VITE TE M 6 X 16 INOX	SCREW HEX.HD M 6 X 16 SS
012		31621	RACCORDO POMPETTA SCARICO	FITTING, DRAIN PUMP
012		27386	TUBO DI SCARICO DIAM.18,5X1500	DRAIN HOSE DIA.18,5X1500
013		H251213	RACCORDO POMPA DETERSIVO	DETERG. PUMP FITTING
013		H440632	DOSATORE DETER.ELETT.G202-230V	DETERG. DISPENS WALL MOUNT. G202-230V
013		H200608	TUBETTO CPL x DOSATORI	TUBE for DETER DISPENSER
013		36944	FILI COLL. POMPA DETER. C E	CONN. WIRES, DETERGENT PUMP C E
013		36943	KIT MONT. POMPA DETERSIVO C E	KIT: DETERG.PUMP, C E
013		36942	SQUADRETTA POMPA DET.x H440632	FIX.SQUARE for DETER DISPEN. x H440632
013		36204	CONTRAPPESO TUBETTI DETER.SINGOLO	SINGLE COUNTERWEIGHT, DETERGENT HOSE
013		30209	VITE TE 4 X 10	HEX.HD. SCREW 4 X 10
013		28880	MADREVITE	NUT SCREW
013		25773	DADO 4 MA INOX 18/8	NUTS 4 MA SS 18/8
013		25752	RONDELLA DENTEL.DIAM.4 D.E.	TOOTHED SPACER DIAM.4 D.E.
013		25697	VITE AUTOF.T/TCROCE 3,9X13 ZIG	SELF-TAPPING SCREW CHEESE D747H.ROSS 3,9X13
013		21679	FILTRINO DET-BRILL.PREM.	FILTER DET.-RINSE AID PREASS.
013		00540	TUBETTO ROSSO 4x7 IN ROTOLO	RED TUBE 8X4 ROLL
013		31643	FASCETTA A FILO 7,3-7,8	HOSE CLIP 7,3-7,8