

CATALOGO RICAMBI
SPARE PARTS
PIECES DETACHEES
ERSATZTEILE
LISTA DE RECAMBIOS

vsezip.ru

+7(812)987-08-81



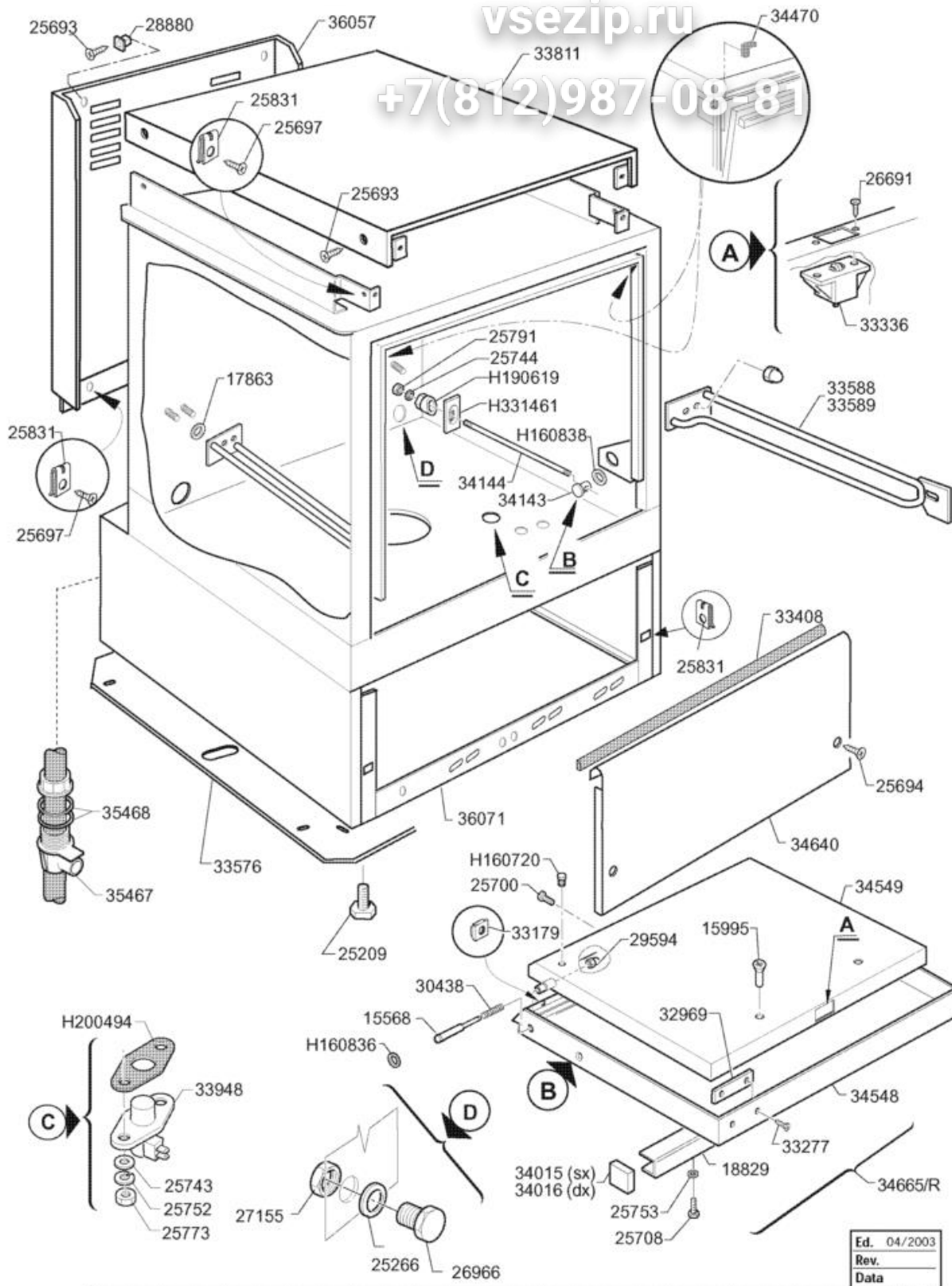
60 BT

Ed. 04/2003

vsezip.ru

+7(812)987-08-81

- 1 Hood
- 2 Control Box
- 3 Rinse Assembly
- 4 Tank
- 5 Wash Arm
- 6 Wash Arm
- 7 Rinse Pump
- 8 Rinse Aid Injector
- 9 Drain Pump/detergent Pump



vsezip.ru

+7(812)987-08-81

Code	Description
15568	MOBILE DOWEL FOR DOOR
15995	BUSH SPRING FIX. HANDLE STS
17863	SPACER GUIDE
18829	HANDLE FOR DOOR STS/APS/C 60
25209	FEET, HEXAG. BASE
25266	FLAT GASKET 18 X 10 X 2
25693	SELF-TAPPING SCREW BEVEL H. 4,2X13
25694	SELF-TAPPING SCREW BEVEL H. 4,2X19
25697	SELF-TAPPING SCREW CHEESE D747H.ROS
25700	SCREW CHEESE-H. 4 X 8 KNURLED
25708	SCREW HEX.HD M 5 X 10 SS
25743	SPACER, FLAT, DIAM. 4
25744	SPACER, FLAT, DIAM.5
25752	TOOTHED SPACER DIAM.4 D.E.
25753	TOOTHED SPACER.DIAM.5 D.E.
25773	NUTS 4 MA SS 18/8
25791	SELF-LOCKING NUT 5 MA LOWER SIDE
25831	PLATE FOR SELFTHREAD. SCREW SIDES 7
26691	SCREW TS M 4 X 8
26966	HOLE CLOSING PLUG
27155	PLASTIC NUT10 M
28880	NUT SCREW
29594	NUT BLIND 4 MA
30438	SPRING FOR PIN AND DOOR
32969	MAGNET FOR CONTACT M350 AP
33179	ENCLOSED NUT 4MA
33277	SELF-TAPPING SCREW TSP 2,9 X 9,5
33336	ROLLER DOOR LATCH
33408	NEOPREN ADHESIVE GASKET 8 X 4
33576	LOWER GUARD, STS/APS/C 60
33588	RACK GUIDE, RIGHT 53/60
33589	RACK GUIDE, LEFT 53/60
33811	UPPER PANEL C 60
33948	BIMET. THERMOSTAT, DOUBLE CONTACT
34015	PLUG END HANDLE, LEFT
34016	PLUG END HANDLE, RIGHT
34143	PIN FOR ROD DOOR
34144	ROD FOR DOOR 60-80
34470	RUBBER PROTECT.CORNER, TANK LABYR.
34548	DOOR CASING, APS/STS/C60/98
34549	INNER DOOR PANEL C 43 ALTA
34640	TANK. FRONT PAN. C60/98
34665/R	DOOR ASSEMBLY CPL C/STS 60 L572xH423
35467	CABLE CLAMP 5024/2/15/26 STEAB
35468	WASHER FOR CABLE CLAMP 35467

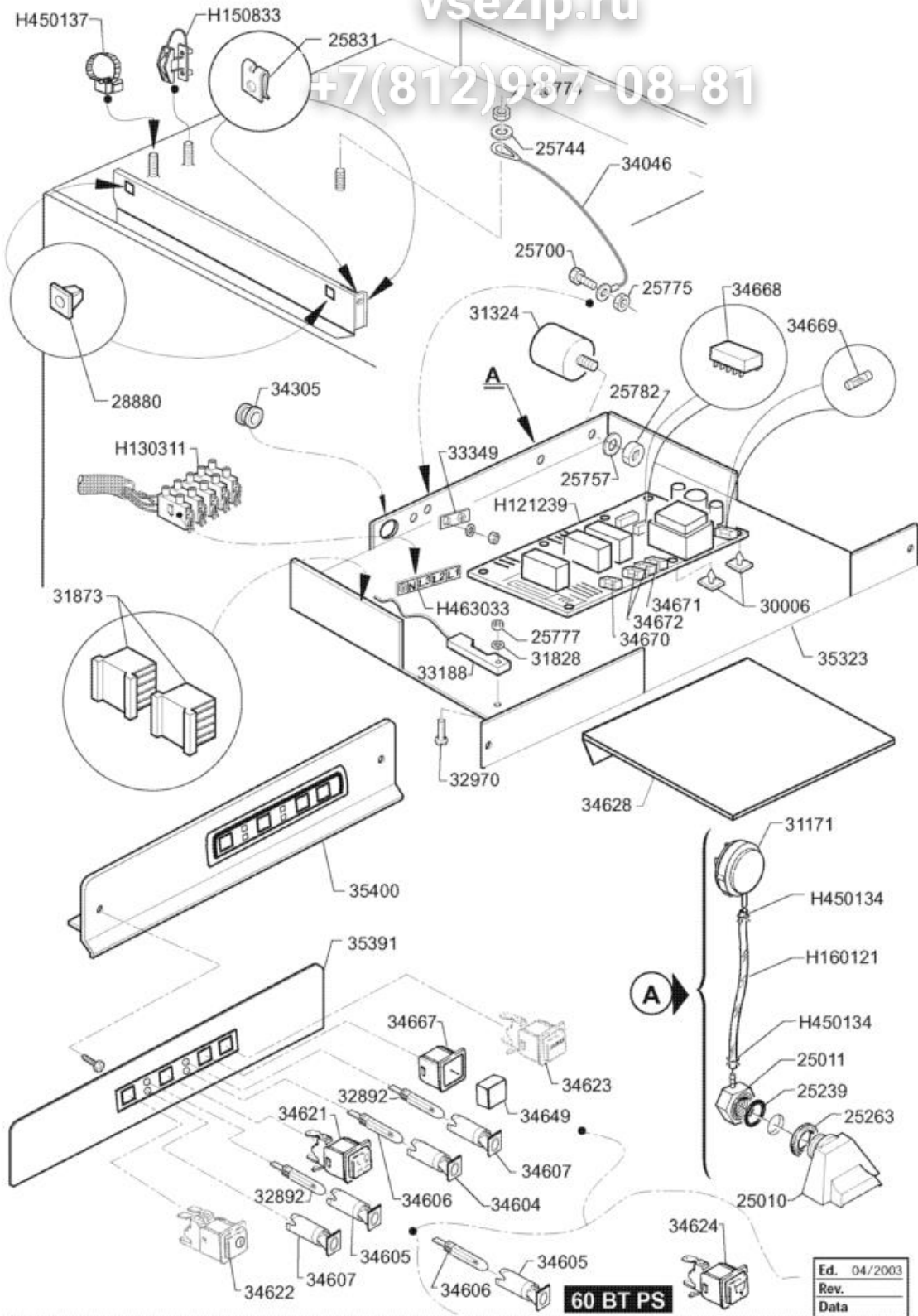
Code	Description
36057	REAR PANEL 60 BT AIR GAP
36071	TANK-BASE STAND 60 BT/02
H160720	SNAP PLUG HEYCO D.8
H160836	RING X PIN SP08(COD 34143)
H160838	RING X DOOR PIN
H190619	DOOR CATCH +LF/FC+
H200494	GASKET FOR DOUBLE-THERMOSTAT
H331461	TIE ROD PLATE FOR G65/BC

vsezip.ru

7(812)987-08-81

vsezip.ru

+7(812)987-08-81



vsezip.ru

7(812)987-08-81

Code	Description
25010	AIR TRAP
25011	COVER X AIR TRAP
25239	GASKET OR PB 70: 3 1/2 X AIR TRAP
25263	FLAT GASKET 38 X 25 X 2 A.TRAP
25700	SCREW CHEESE-H. 4 X 8 KNURLED
25744	SPACER, FLAT, DIAM.5
25757	TOOTHED SPACER DIAM. 12 D.E.D787
25774	NUTS 5 MA
25775	NUT 6 MA
25777	NUTS 3 MA
25782	NUT 8 MA
25831	PLATE FOR SELFTHREAD. SCREW SIDES 7
28880	NUT SCREW
30006	SPACER FOR PRINTED CIRC. HOLDER
31171	PRESSURE SWITCH, RATED 28/12+-3
31324	NOISE FILTER, TYPE 5001
31828	DENTED ROUND SPACER, EX ? 3
31873	REMOTE SWITCH 220-240V- B6-30-10
32892	NEON LIGHT BULB "GREEN" FL-T FM6,3
32970	BEVEL, CROSS-SLOT HD. SCREW TS 3 X
33188	MAGNETIC SENSOR
33349	INDICAT.PLATE, EARTHING
34046	NYLON ROIPE, DRAWER LIMIT STOP
34305	CABLE RACEWAY STEAB 6211/16/21
34604	COVER "ORANGE" PILOT LIGHT S.57.3
34605	COVER "GREEN" PILOT LIGHT S.57.3
34606	LIGHT BULB SERIES S 21.32 24V
34607	BLACK LIGHT COVER
34621	SWITCH ROLD CM SING.POLE.CYCLE.
34622	SWITCH ROLD CM 2-POLE. LINE
34623	PUSH-BUTT. ROLD CM SING.P.NA START
34624	PUSH-BUTT. ROLD CM SING.P.NA DRAIN.
34628	PROTECT.,ELECTR.APPL 60, MILAR
34649	SQU.PLUG FOR PUSHB. SERIES
34667	PUSHB. PLUG HOLDER
34668	MICROP.UNIECO-UNICOM
34669	GLASS FUSE, 250MA(UNIECO-UNICOM)
34670	GLASS FUSE, 1 A (UNIECO-UNICOM)
34671	GLASS FUSE, 2 A (UNIECO-UNICOM)
34672	GLASS FUSE, 6,3A (UNIECO-UNICOM)
35323	ELECTRIC PLANT SUPPORT C/STS 60
35391	CTRL PANEL NAMEPLATE 60 BT
35400	ELECTRIC PLANT 60 BT 2°
H121239	PRINTED CIRCUIT BOARD 60 BT
H130311	TERMINAL BLOCK 5 POSIT ELECTROG.

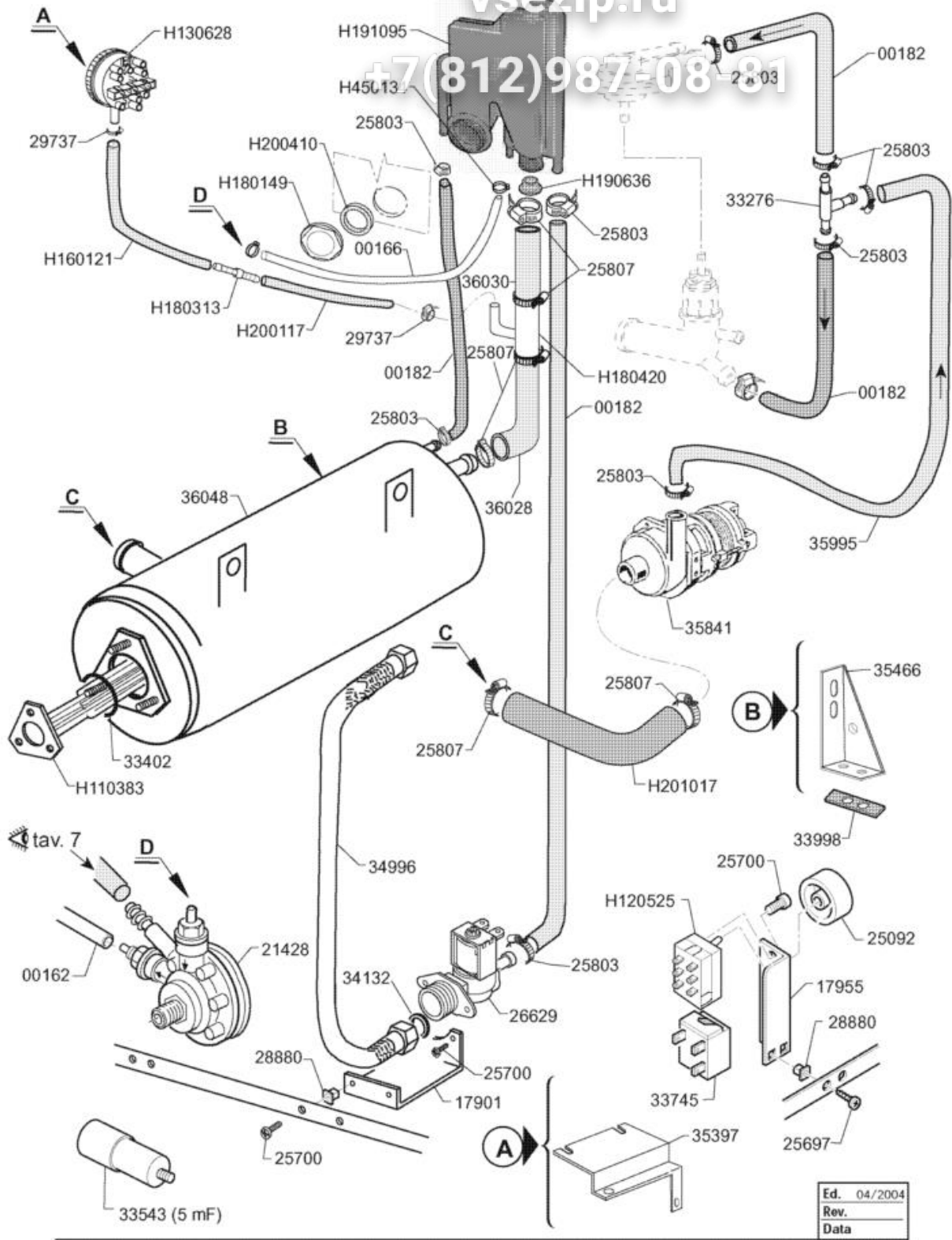
Code	Description
H150833	CABLE CLAMP EGB PA268/RO
H160121	HOSE, BLACK RUBBER D. 5 X 9
H450134	ELASTIC HOSE CLIP 2-WIRE D. 3 8,3
H450137	COLLAR COUPLING WITH BASE 31900
H463033	INDIC.PLATE, 3-PHASE LINE

vsezip.ru

+7(812)987-08-81

vsezip.ru

+7(812)987-08-81

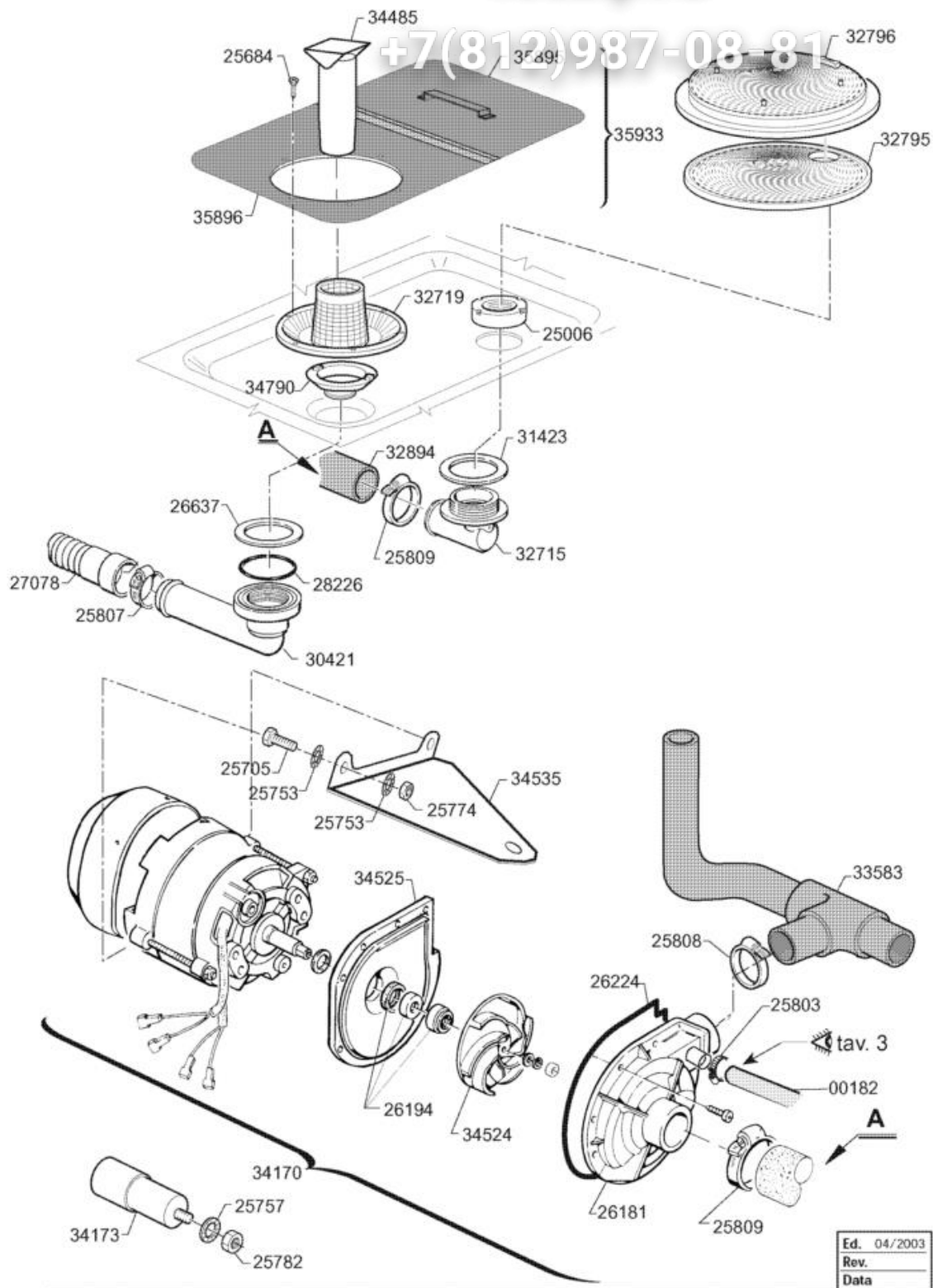


vsezip.ru

812)987-08-81

Code	Description
00162	ROLL TUBE 6X4 RILSAN
00166	ROLL TUBE TRANSP. 4X7
00182	HOSE 11X19 CASE.15" BLUE"
17901	SOLENOID VALVE HOLDER
17955	DOUBLE SQUARE FOR PRESS.GAUGES
21428	RINSE AID DISPENSER, (2-28252)
25092	HANDLE, BLACK WHITE INDEX
25697	SELF-TAPPING SCREW CHEESE D747H.ROS
25700	SCREW CHEESE-H. 4 X 8 KNURLED
25803	HOSE CLIP 13-20 ABA
25807	HOSE CLIP 26-38 ABA
26629	SOLENOID VALVE, SING.3/4" T/N
28880	NUT SCREW
29737	FE-ZN CLAMP 9 - 12
33276	T-SHAPED CONNECTOR ?11,5-PART180413
33402	GASKET OR 6X56X68
33543	CAPACITOR 5 UF-450 V
33745	LIMITER 110° MANUAL RESET
33998	VIBR.PROOF RUBBER GASK. FOR PUMP
34132	CONTROL QTY 8 LT.
34996	FILLING HOSE, 90° VDE
35397	BRACKET, PRESSURE SWITCHES
35466	PLATE PUMP 60 BT
35841	PUMP, 0,2 KW ZF131DX 230V-60BT
35995	DELIVERY SLEEVE, RINSE PUMP
36028	RUBBER HOSE, BOILER/T-SHAPE AIR GAP
36030	T-SH. RUBB.HOSE/ A.G.L. TANK =200
36048	CYLINDRICAL BOILER AIR GAP 53/60 BT
H110383	FLGD.HEAT.ELEM. 6KW 240/415-5KW 220
H120525	2-TEMPER. THERMOSTAT TRZ
H130628	3-LEVEL PRESSURE SWITCH 110-70
H160121	HOSE, BLACK RUBBER D. 5 X 9
H180149	RING NUT, AIR GAP TANK H191095
H180313	HOSE FITTING BT
H180420	T-SHAPED AIR GAP
H190636	BUSH FOR "C" WASH ARM
H191095	TANK AIR GAP
H200117	RUBBER HOSE 8X16, INDUSTR,10
H200410	DRAIN OUTL.WASH.1 1/2"65X47X3
H201017	SLEEVE, RINSE SUCTION PUMP
H450134	ELASTIC HOSE CLIP 2-WIRE D.9,3/8,8

+7(812)987-08-81



Ed.	04/2003
Rev.	
Data	

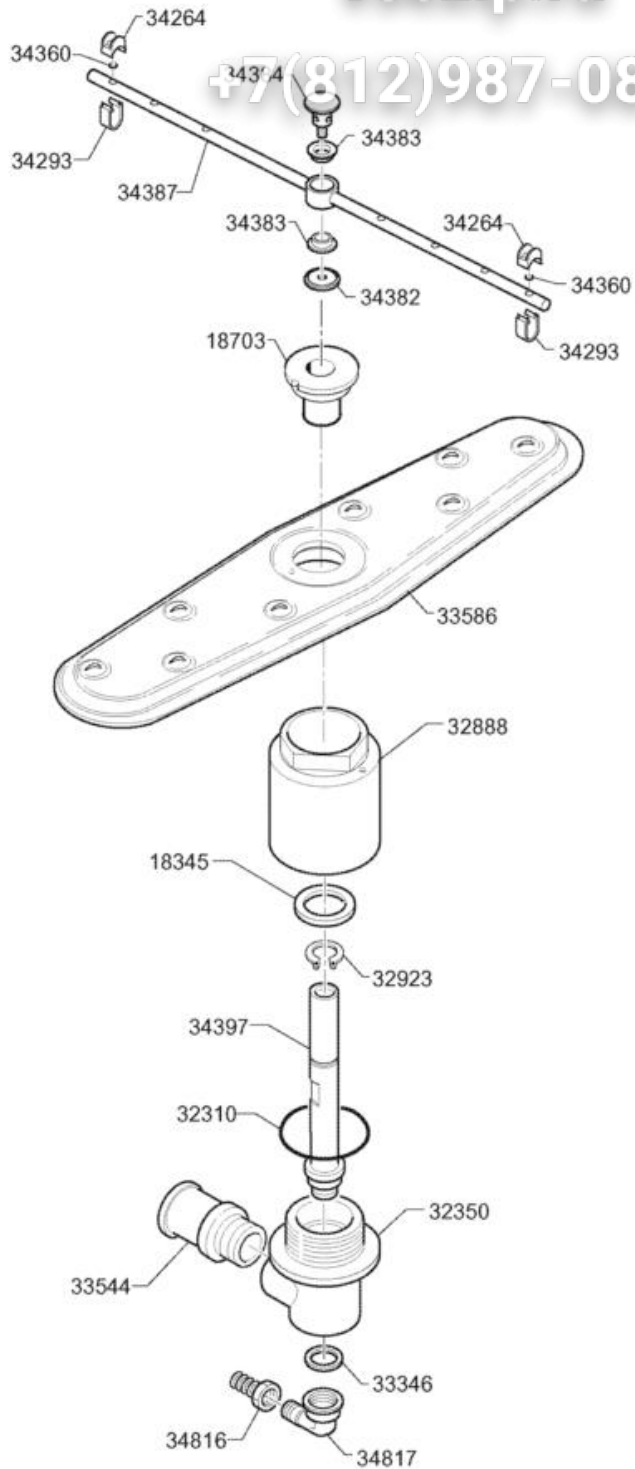
vsezip.ru

+7(812)987-08-81

Code	Description
00182	HOSE 11X19 CASER/15"BLUE"
25006	NUT FO DRAIN SUCT. P.
25684	SELF-TAPPING SCREW CHEESE-H.2,9
25705	SCREW HEX.HD M 5 X 16 SS 18/8
25753	TOOTHED SPACER.DIAM.5 D.E.
25757	TOOTHED SPACER DIAM. 12 D.E.D787
25774	NUTS 5 MA
25782	NUT 8 MA
25803	HOSE CLIP 13-20 ABA
25807	HOSE CLIP 26-38 ABA
25808	HOSE CLIP 27-51CLAM
25809	HOSE CLIP 40-64CLAM
26181	COVER WASH PUMP HP 0,5-0,75
26194	SHAFT SEAL WASH P.HP0,25-0,5-0,75
26224	GASKET, PUMP HOUSING
26637	FLAT GASKET 55 X 42 X 2
27078	DRAIN HOSE, DIA.24X1500
28226	GASKET OR 3181 FOR DRAIN LUG
30421	DRAIN FITTING, LONG
31423	FLAT GASKET 65X51X3
32715	90°SUCTION ELBOW FOR PUMP
32719	COLLECTOR FILTER
32795	BOTTOM, ROUND FILTER
32796	COVER, ROUND FILTER
32894	SUCTION SLEEVE.STS 60
33583	OUTLET SLEEVE WASH 53/60
34170	WASH PUMP HP. 1 STS/C60 C80
34173	CAPACITOR UF 16
34485	OVERFLOW TUBE STS 60 H=157
34524	IMPELLER LGB 0591 M8 LEFT ZF 340
34525	FLANGE, LGB ZF 340
34535	ADAPT.PLATE TO FIX PUMP LGB
34790	DRAIN ELBOW SERIES 60
35895	TANK STRAINER, RIGHT S/S SERIES 60
35896	TANK STRAINER LEFT S/S SERIES 60
35933	FILTER TANK CPL C 6

vsezip.ru

+7(812)987-08-81



Ed.	04/2003
Rev.	
Data	

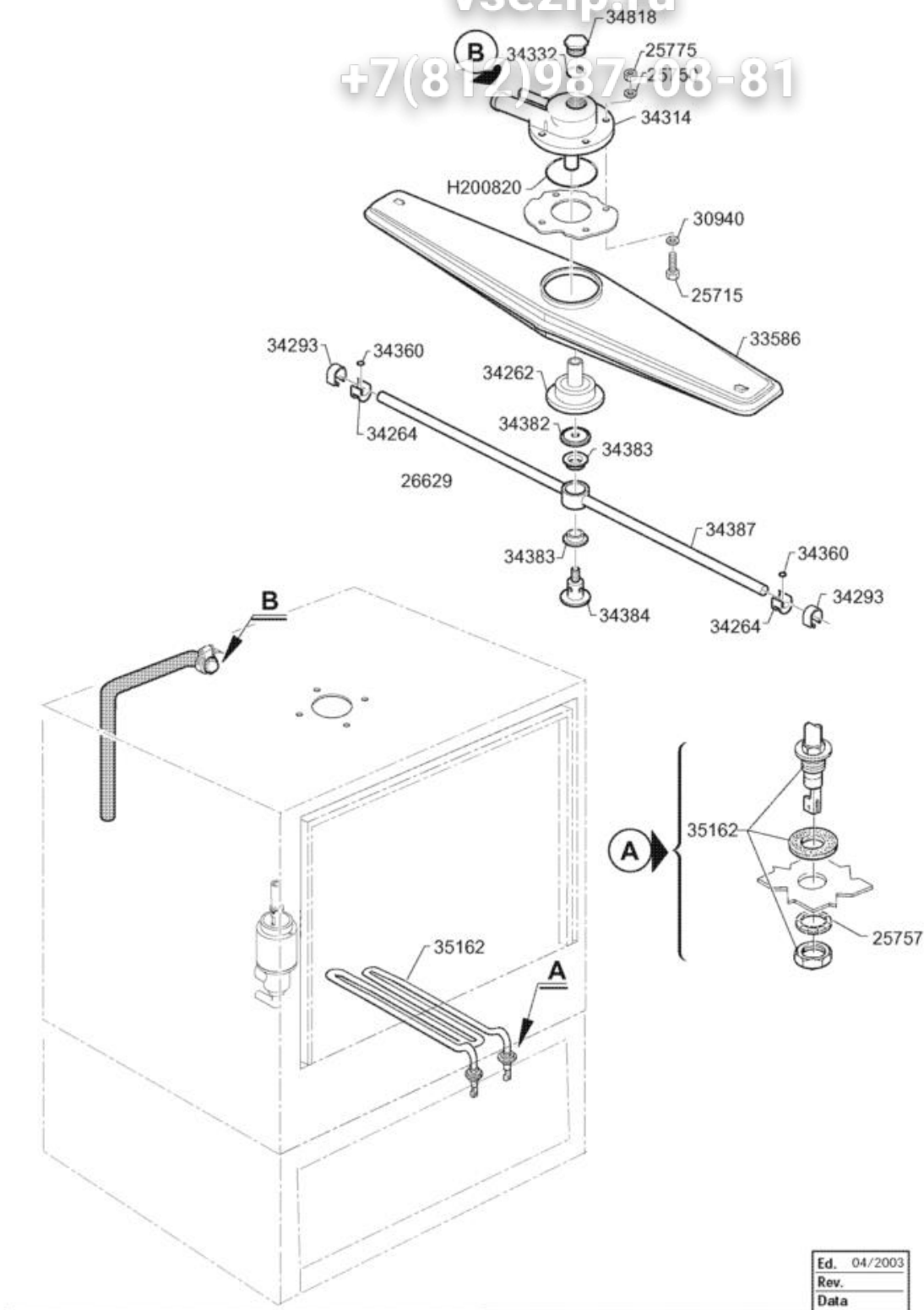
Code	Description
18345	SPACER RING
18703	BUSH SPRING CENT. WASHARM LOW.STS
32310	GASKET OR 3200
32350	WASH-RINSE SUPPORT BOTTOM HP
32888	BUSH CENTR.REDUCT SPRING. 53/60
32923	SHAFT SNAP RING O 14
33346	DISC FOR CENTRAL SUPPORT
33544	HOSE FITTING 1/2 "
33586	WASHARM UPP./LOW. 60
34264	RINSE JET WITH SPRING
34293	JET LOCK SPRING
34360	GASKET OR 7 X 1 NBR 70
34382	DISTANCE WASHER RINSE LEFT TURNING
34383	BUSH SPRING HUB, RINSE ROT.ARM
34384	PIN, RINSE ROT.ARM
34387	RINSE ARM 53-60 R. S/ FRONT.
34397	LOW. RINSE SHAFT STS-C 53-60
34816	HOSE FITTING SS 1/4" G
34817	ELBOW SS F/F 1/4" G

vsezip.ru

+7(812)987-08-81

vsezip.ru

+7(812)987-08-81



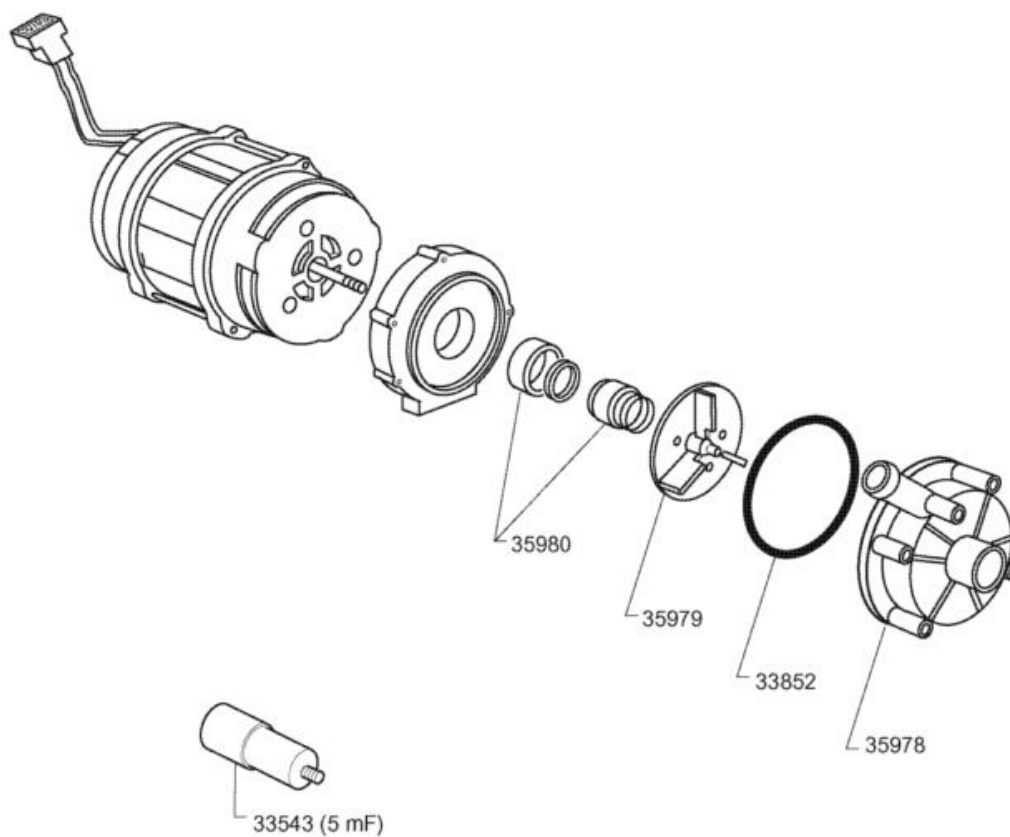
Code	Description
25715	SCREW HEX.HD M 6 X 16 SS
25750	SPACER, SPLITTED- DIAM. 6
25757	TOOTHED SPACER- DIAM. 12 D.E D737
25775	NUT 6 MA
26629	SOLENOID VALVE, SING.3/4" T/N
30940	FLAT SPACER, BLACK, DIA. 6
33586	WASHARM UPP./LOW. 60
34262	CENTRAL BUSH SPRING H.28 UPPER ROT
34264	RINSE JET WITH SPRING
34293	JET LOCK SPRING
34314	HOLDER WASHARM UPP. C-STS
34332	GASKET OR 128 SUPP.PLUG
34360	GASKET OR 7 X 1 NBR 70
34382	DISTANCE WASHER RINSE LEFT TURNING
34383	BUSH SPRING HUB, RINSE ROT.ARM
34384	PIN, RINSE ROT.ARM
34387	RINSE ARM 53-60 R. S/ FRONT.
34818	PLUG SS 1/2" G
35162	HEAT.EL. V. 2000 W-230V RAC.SS
H200820	OR GASKET 5,33X46,99X57,6

vsezip.ru

87(812)987-08-81

vsezip.ru

+7(812)987-08-81

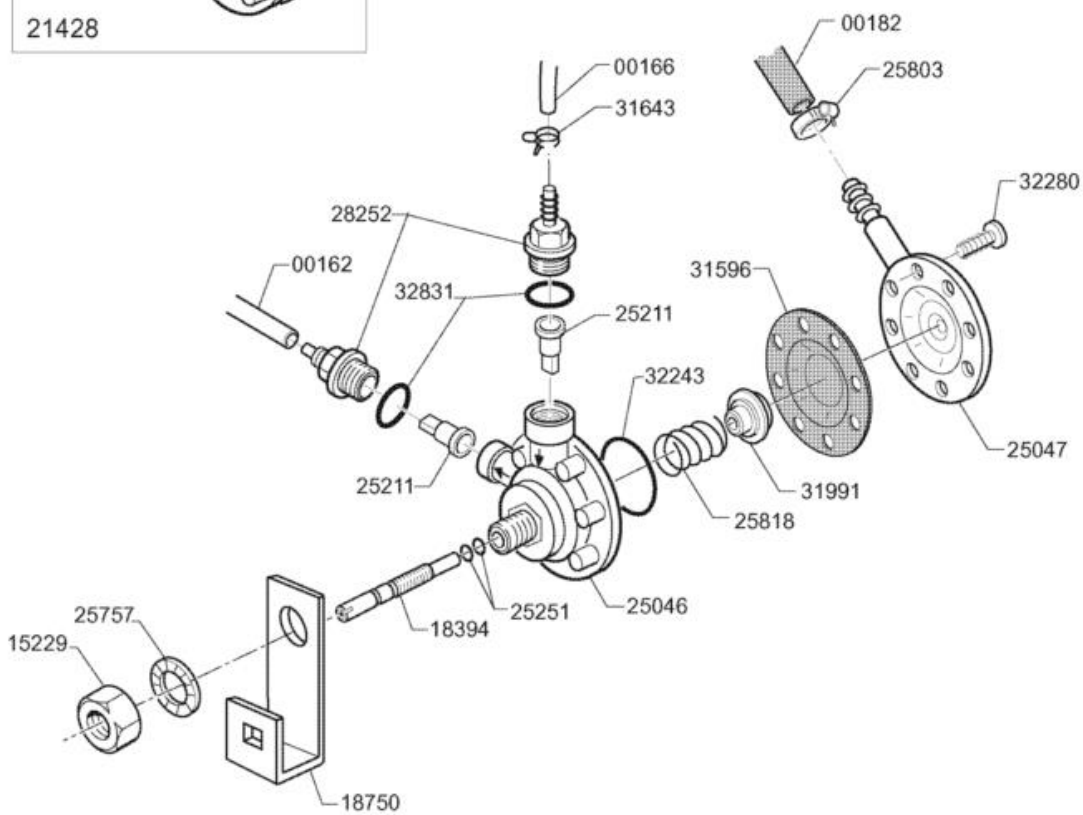
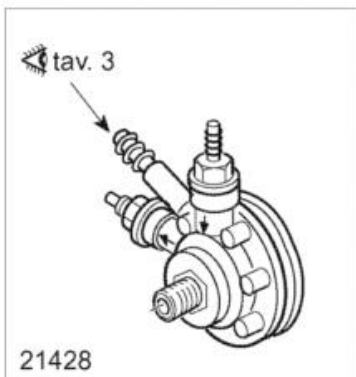


Ed.	04/2003
Rev.	
Data	

Code	Description
33543	CAPACITOR 5 UF-450 V
33852	GASKET, OR, 75.87*2.62
35841	PUMP, 0,2 KW ZF131DX 230V-60BT
35978	PUMP SCROLL ZF131 (35841)
35979	IMPELLER ZF130 D.73 3P x (35841)
35980	MECH. SEAL, PUMP ZF131(35841)

vsezip.ru

87(812)987-08-81

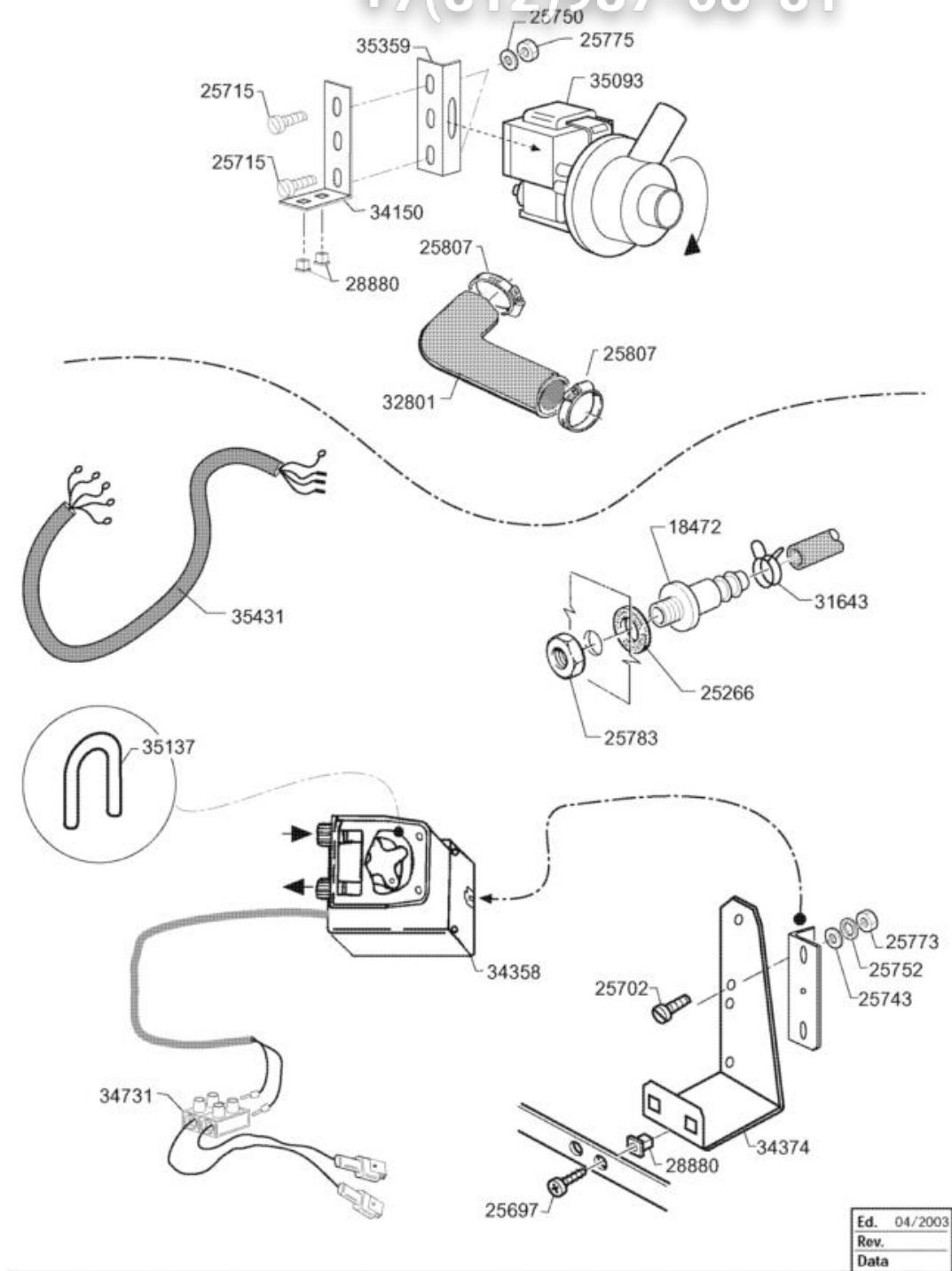


Ed.	04/2003
Rev.	
Data	

vsezip.ru

812)987-08-81

Code	Description
00162	ROLL TUBE 6X4 RILSAN
00166	ROLL TUBE TRANSP. 4X7
00182	HOSE 11X19 CASE. 15' BLUE
15229	LOCK NUT AID DISPENSER
18394	SCREW CONTROL DISPENSER
18750	SQUARE, RINSE AGENT DISPENSER
21428	RINSE AID DISPENSER, (2-28252)
25046	UPPER DISPENSER ASSEMBLY
25047	LOWER DISPENSER ASSEMBLY
25211	NON RETURN VALVE RINSE AID DISP.
25251	GASKET OR 2012
25757	TOOTHED SPACER DIAM. 12 D.E.D787
25803	HOSE CLIP 13-20 ABA
25818	CYLINDER SPRING (WIRE)
28252	FITTING SUCTION DISPENSER
31596	DIAPHRAGM, DISPENSER
31643	HOSE CLIP 7,3-7,8
31991	SPRING GUIDE FOR DISPENSER
32243	GASKET OR 3156
32280	OVAL HD. CROSS-SL. SCREW 4 X 13
32831	GASKET OR 2062



vsezip.ru

+7(812)987-08-81

Code	Description
18472	FITTING INJECT. DETERGENT AP
25266	FLAT GASKET 18 X 10 X 2
25697	SELF-TAPPING SCREW CHEESE D7.7 H. ROS
25702	SCREW CHEESE-H. KNURLED 4X14
25715	SCREW HEX.HD M 6 X 16 SS
25743	SPACER, FLAT, DIAM. 4
25750	SPACER, SPLITTED, DIAM. 6
25752	TOOTHED SPACER DIAM.4 D.E.
25773	NUTS 4 MA SS 18/8
25775	NUT 6 MA
25783	NUT 10 MA
25807	HOSE CLIP 26-38 ABA
28880	NUT SCREW
31643	HOSE CLIP 7,3-7,8
32801	SUCTION SLEEVE, DRAIN PUMP C/STS 60
34150	BRACKET, DRAIN PUMP
34358	DETERGENT PUMP PERISTALSISTIC
34374	FIXING BRACKET, DETERG.PUMP
34731	ELECT.CONN. TERMINAL FOR AUTOC.
35093	DRAIN PUMP HANNING TYPE DPS 25
35137	PUMP HOSE DET.SEKO PG3
35359	HOLDER. HANNING DRAIN.P. C/STS60
35431	CABLE LOOM PS/PD FOR PCB