

Зип Общепит

vsezip.ru

+7(812)987-08-81



**6МА2**

**Edition 20120724-**

Зип Общепит

vsezip.ru

+7(812)987-08-81

51



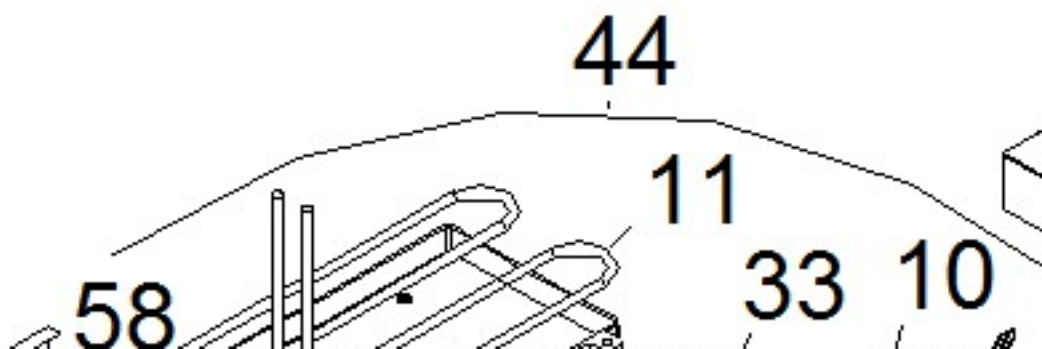
44

11

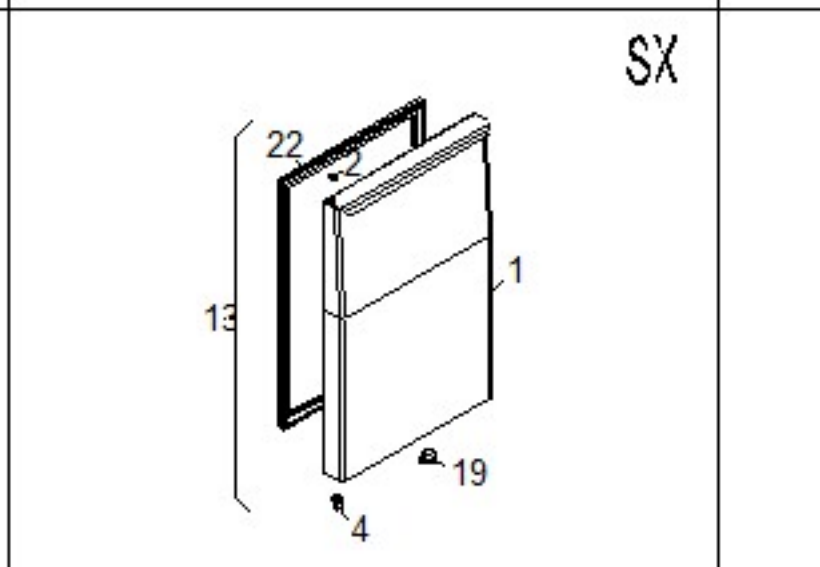
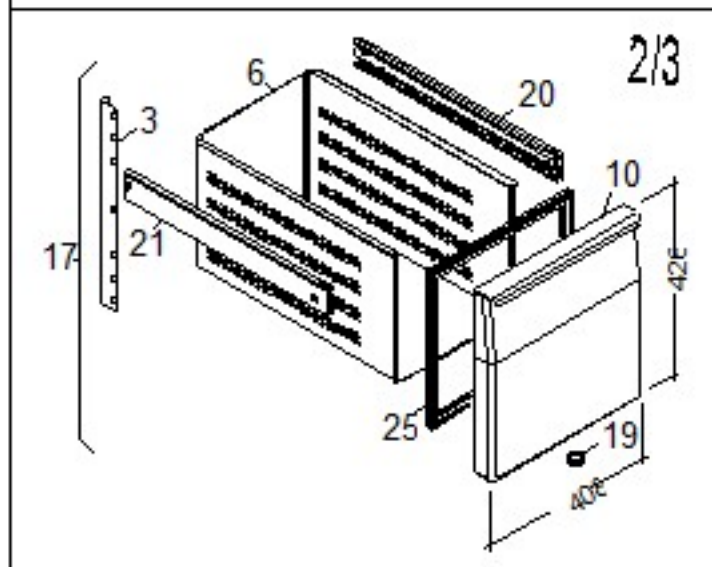
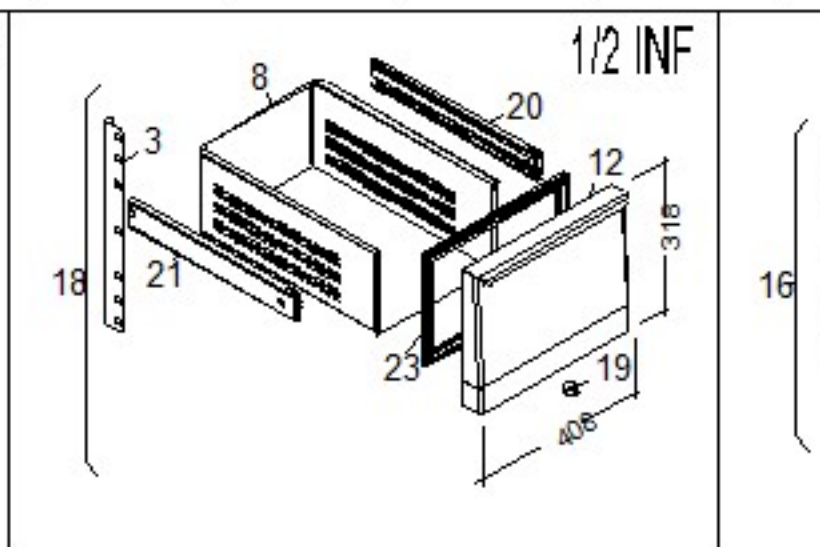
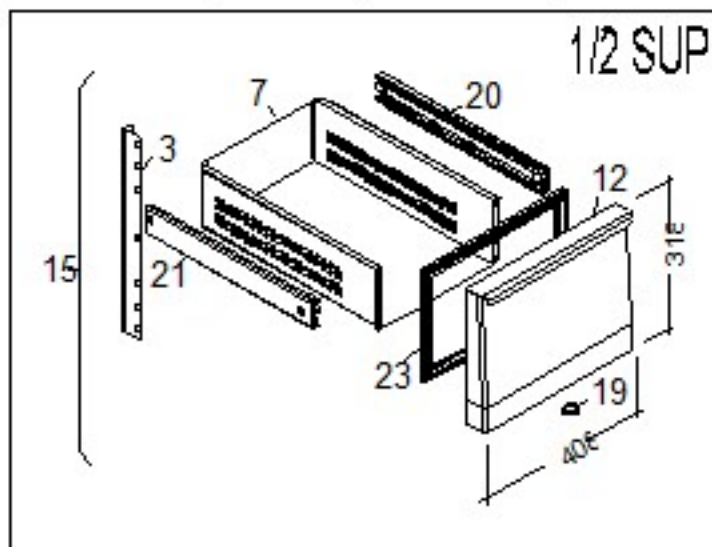
58

33

10



|   |                                | 6MA<br>6MAA<br>6MAM<br>6EA<br>6EAA<br>6EAM<br>6EAB<br>6EABA<br>6EABM | 6MA2<br>6MA2A<br>6MA2B<br>6EA2<br>6EA2A<br>6EA2M | 6EA13<br>6EA13A<br>6EA13M | 6EA11<br>6EA11A<br>6EA11M | 6MB<br>6MBA<br>6MBM<br>6EB<br>6EBA<br>6EBM<br>6EBB<br>6EBBA<br>6EBBM | 6MB2<br>6MB2A<br>6MB2M<br>6EB2<br>6EB2A<br>6EB2M |
|---|--------------------------------|--|--|---------------------------|---------------------------|--|--|
| Num.cassetti<br>Schubläd<br>Drawers<br>Tiroirs<br>Gabetas | 1/2SUP<br>1/2INF<br>1/3<br>2/3 | -<br>-<br>-<br>-   | 1<br>1<br>-<br>-                                 | -<br>-<br>3<br>-          | -<br>-<br>1<br>1          | -<br>-<br>-<br>-   | 1<br>1<br>-<br>-                                 |
| Porte<br>Türen<br>Doors<br>Portes<br>Puertas              | DX<br>SX                       | 1<br>1   | -<br>1   | -<br>1                    | -<br>1                    | 1<br>2   | -<br>2   |



| Page | Pos | Code         | Description          | Info        |
|------|-----|--------------|----------------------|-------------|
| 002  | 001 | 3043180      | TOP BRACKET          | 01/09/2005- |
| 002  | 002 | 3088700      | BOTTOM BRACKET       | 06/10/2006- |
| 002  | 003 | 3044810      | FRAME TRIM           | 01/09/2005- |
| 002  | 004 | 3044820      | FRAME TRIM           | 01/09/2005- |
| 002  | 005 | 3044830      | FRAME TRIM           | 01/09/2005- |
| 002  | 006 | 3208680      | RACK                 | 24/07/2012- |
| 002  | 007 | 3045840      | HORIZONTAL RISER     | 01/09/2005- |
| 002  | 008 | 3145280      | FOOT                 | 21/04/2010- |
| 002  | 009 | 3047140      | TRAY                 | 01/09/2005- |
| 002  | 010 | 3097570      | FAN.PROT.            | 07/04/2009- |
| 002  | 011 | 3047170      | PIPE COIL            | 01/09/2005- |
| 002  | 012 | 3165760      | CONDENSER            | 07/04/2009- |
| 002  | 013 | 3047660      | SIDE-BACK            | 01/09/2005- |
| 002  | 014 | 3047810      | HULL                 | 01/09/2005- |
| 002  | 015 | 3047920      | PANEL-BOARD COVER    | 01/09/2005- |
| 002  | 016 | 3048360      | DRAIN TRAP           | 01/09/2005- |
| 002  | 017 | 3048370      | BRACKET              | 01/09/2005- |
| 002  | 018 | 3048420      | TOP BRACKET          | 01/09/2005- |
| 002  | 019 | 3051700      | COVER                | 01/09/2005- |
| 002  | 020 | 3056800      | GUIDE                | 01/09/2005- |
| 002  | 021 | 32V8590      | THERMOREGULATOR      | 31/05/2007- |
| 002  | 022 | 6MA2-Pos.022 | BODY                 | 01/09/2005- |
| 002  | 023 | 3178700      | SILK-SCREE.PANEL     | 14/05/2010- |
| 002  | 024 | 3172850      | CONTROL BOARD        | 14/05/2010- |
| 002  | 025 | 3045790      | EVAPORATOR GUARD     | 01/09/2005- |
| 002  | 026 | 3059260      | SUPPORT              | 01/09/2005- |
| 002  | 027 | 32A2200      | POWER SUPPLY CABLE   | 01/09/2005- |
| 002  | 028 | 32D0020      | CABLE CLAMP Ø 4 - 12 | 01/09/2005- |
| 002  | 029 | 32D0680      | CABLE CLAMP          | 01/09/2005- |
| 002  | 030 | 32D0750      | TERMINAL BOARD       | 01/09/2005- |
| 002  | 031 | 32M3280      | FAN                  | 01/09/2005- |
| 002  | 032 | 32M5920      | TANGENTIAL FAN       | 01/09/2005- |
| 002  | 033 | 32M7020      | FAN MOTOR            | 07/04/2009- |
| 002  | 034 | 32V1500      | CONDENSER            | 01/09/2005- |
| 002  | 035 | 32V3900      | RELAY                | 01/09/2005- |
| 002  | 036 | 32V3910      | ENGINE CUTOUT        | 01/09/2005- |
| 002  | 037 | 32V6000      | PROBE NTC            | 01/09/2005- |
| 002  | 038 | 32W3970      | BIPOLAR SWITCH       | 01/09/2005- |
| 002  | 039 | 32X0120      | GROMMETØ 21          | 01/09/2005- |
| 002  | 040 | 32X0140      | GROMMET Ø13,5-Ø25    | 01/09/2005- |
| 002  | 041 | 33A0180      | FILTER               | 01/09/2005- |
| 002  | 042 | 33A1200      | AUXIL.VALVE          | 01/09/2005- |
| 002  | 043 | 3216230      | COMPRESSOR           | 11/01/2012- |
| 002  | 044 | 3216350      | MOTOR UNIT           | 11/01/2012- |
| 002  | 045 | 34E2920      | EVAP. GROUP          | 01/09/2005- |
| 002  | 047 | 3208670      | RACK                 | 24/07/2012- |
| 002  | 048 | 35L5500      | PANEL BOARD          | 01/09/2005- |
| 002  | 049 | 35L6080      | GUIDE                | 01/09/2005- |
| 002  | 050 | 35S3410      | L FRAME              | 01/09/2005- |
| 002  | 051 | 35S3490      | S FRAME              | 01/09/2005- |
| 002  | 052 | 36C5180      | SWITCH PROT.         | 01/09/2005- |

| Page | Pos | Code    | Description                    | Info        |
|------|-----|---------|--------------------------------|-------------|
| 002  | 053 | 36E3990 | CONDENS. DRAIN                 | 01/09/2005- |
| 002  | 054 | 36E4780 | CONDENS. DRAIN                 | 01/09/2005- |
| 002  | 055 | 36Q1880 | DRAIN PLUG                     | 01/09/2005- |
| 002  | 056 | 36Z2060 | PROBE STOPPER                  | 01/09/2005- |
| 002  | 057 | 36Z2370 | COND. TRAY                     | 01/09/2005- |
| 002  | 058 | 36Z2380 | TRAY                           | 01/09/2005- |
| 003  | 001 | 3048150 | LEFT DOOR                      | 01/09/2005- |
| 003  | 002 | 3044110 | BUSHING                        | 01/09/2005- |
| 003  | 003 | 3045070 | SUPPORT                        | 01/09/2005- |
| 003  | 004 | 3088710 | BUSHING                        | 06/10/2006- |
| 003  | 007 | 3048890 | DRAWER FRAME 1/2 SUP.          | 01/09/2005- |
| 003  | 008 | 3048900 | DRAWER FRAME 1/2 INF.          | 01/09/2005- |
| 003  | 012 | 3049950 | DRAWER UNIT 1/2                | 01/09/2005- |
| 003  | 013 | 6020870 | LEFT DOOR REPLACEMENT UNIT     | 01/09/2005- |
| 003  | 015 | 6020890 | DRAWER REPLACEMENT UNIT 1/2 SU | 01/09/2005- |
| 003  | 018 | 6021080 | DRAWER REPLACEMENT UNIT        | 01/09/2005- |
| 003  | 019 | 36C2650 | 1/2 IN PLUG                    | 01/09/2005- |
| 003  | 020 | 36M8080 | RH GUIDE                       | 01/09/2005- |
| 003  | 021 | 36M8090 | LH GUIDE                       | 01/09/2005- |
| 003  | 022 | 37Q4710 | GASKET                         | 01/09/2005- |
| 003  | 023 | 37Q4720 | GASKET                         | 01/09/2005- |