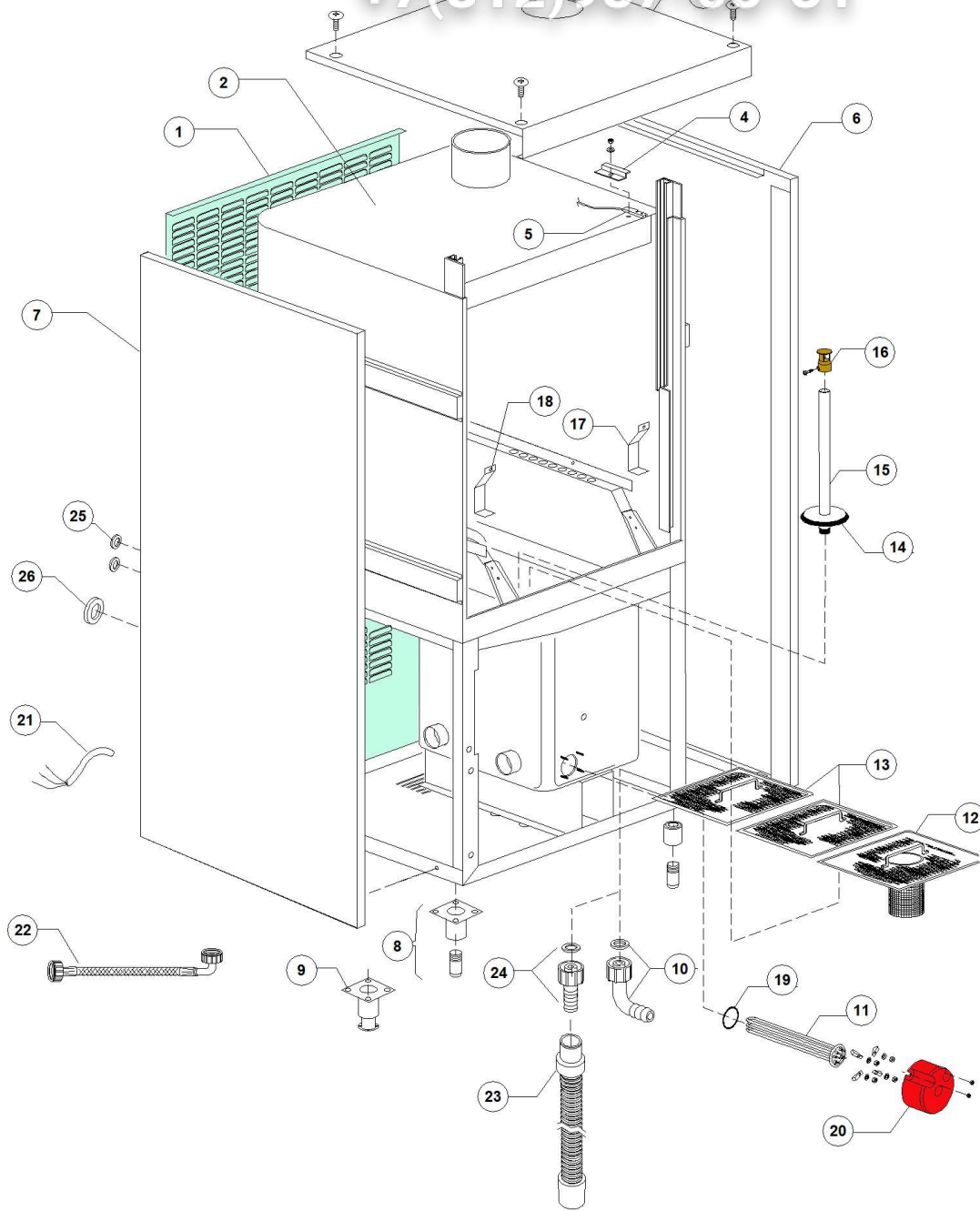


Зип Общепит
vsezip.ru
+7(812)987-08-81

Catalogo ricambi
Spare parts catalog
Catalogue de pièces détachées
Ersatzteilkatalog
Catálogo de repuestos
Catálogo de peças de reposição
каталог запасных частей



+7(812)987-08-81



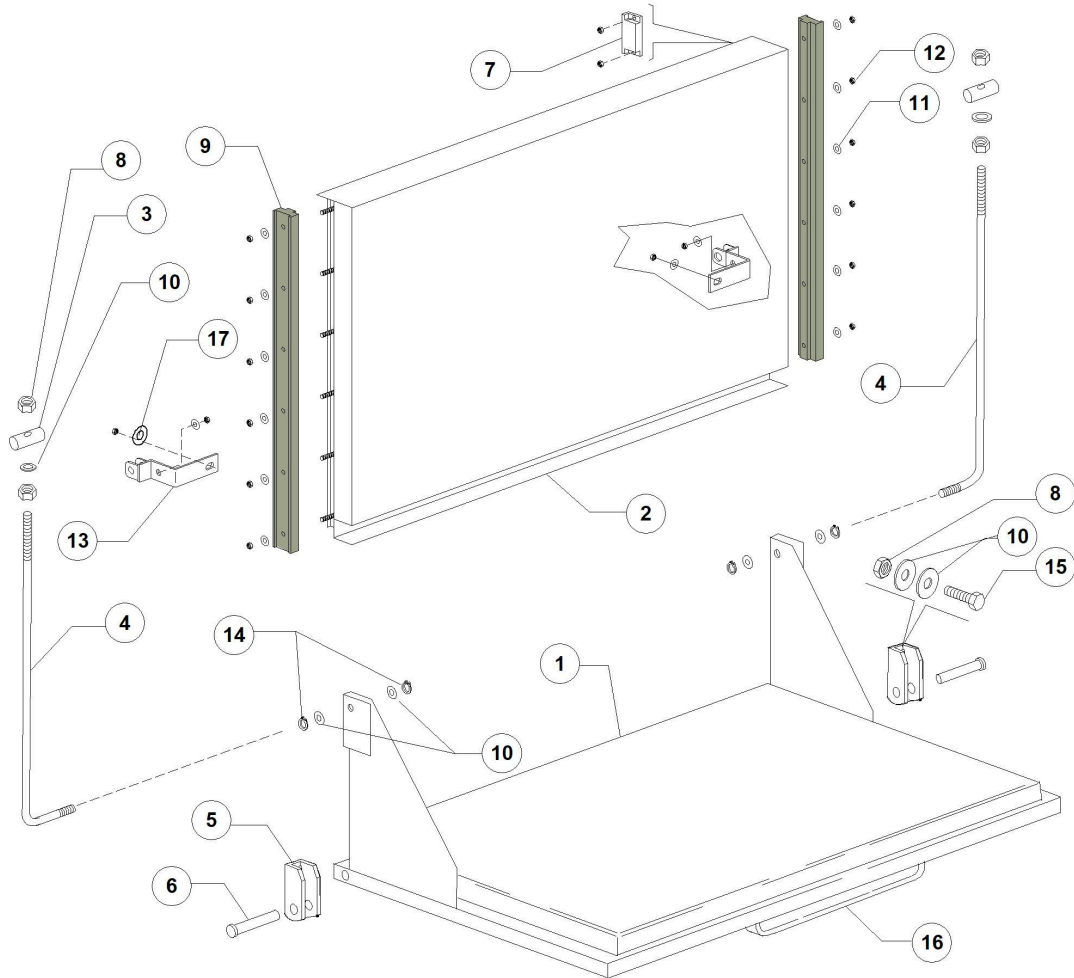
Зип Общепит

vsozip.ru

LP2 S PLUS PS XP DDE PAP 380-400/3N/50 DW11013 198 Gruppo carrozzeria - DW118E

+7(812)987 08-81

| Pos. | Codice | Descrizione | Description |
|------|------------|---|-------------------------------------|
| 1 | DW91004 | PANNELLO POSTERIORE | BACK PANEL |
| 2 | DW91000 | CARROZZERIA | BODYWORK |
| 3 | DW91005 | COPERCHIO P2S | COVER P2S |
| 4 | DW3009112 | SUPPORTO REED ECONOMIZZATORE | ECONOMIZER MICROSWITCH SUPPORT |
| 5 | DW3003112 | REED MICRO PORTA | MAGNETIC REED SWITCH |
| 6 | DW91002 | PANNELLO DESTRO P2S/P3S | RIGHT SIDE PANEL P2S/P3S |
| 7 | DW91003 | PANNELLO SINISTRO P2S/P3S | LEFT SIDE PANEL P2S/P3S |
| 8 | DW80116 | PIEDINO REGOLABILE 112-215 2" | ADJUSTABLE FOOT 112-215 2" |
| 10 | DW15613 | GOMITO DI SCARICO | DRAIN ELBOW |
| 11 | DW30001010 | RESISTENZA 6000/6530W 230/240V 3 | 6000/6530W 230/240V 3 HEATING ELEM. |
| 12 | DW11600906 | FILTRO VASCA ANTERIORE | TANK FRONT FILTER |
| 13 | DW11600907 | FILTRO VASCA POSTERIORE | TANK BACK FILTER |
| 14 | DW11600002 | GUARNIZIONE A FLANGIA | FLANGE GASKET |
| 15 | DW91101 | ASSIEME TROPPOPIENO | OVERFLOW PIPE ASSEMBLY |
| 16 | DW11600019 | TAPPO PER TROPPOPIENO | OVERFLOW PIPE PLUG |
| 17 | DW22254 | PARASPRUZZI INFERIORE | LOWER SPLASH GUARD |
| 18 | DW22254 | PARASPRUZZI INFERIORE | LOWER SPLASH GUARD |
| 19 | DW13015 | GUARNIZIONE 6225 OR 160 NBR (MIN. 5 PZ) | 6225 O-RING 160 NBR (MIN. 5 PCS) |
| 20 | DW75311 | CUFFIOTTO PER RESISTENZA | HEATING ELEMENT COVER |
| 21 | DW80200 | CAVO ALIMENTAZIONE 5X4X3400 | CABLE 5X4X3400 |
| 22 | DW10726 | CANNA DI CARICO | LOAD PIPE |
| 24 | DW15613/A | PORTAGOMMA DRITTO | STRAIGHT HOSE CONNECTOR |
| 25 | DW13323 | PASSACAPO IN GOMMA D.13 (MIN. 2 PZ) | RUBBER FAIRLEAD D.13 (MIN. 2 PCS) |
| 26 | DW13324 | PASSACAPO IN GOMMA D.46X50 | RUBBER FAIRLEAD D.46X50 |



Зип Общепит

vsezip.ru

LP2 S PLUS PS XP DDE PAP 380-400/3N/5C - DW11018198 - Porta - DW118E

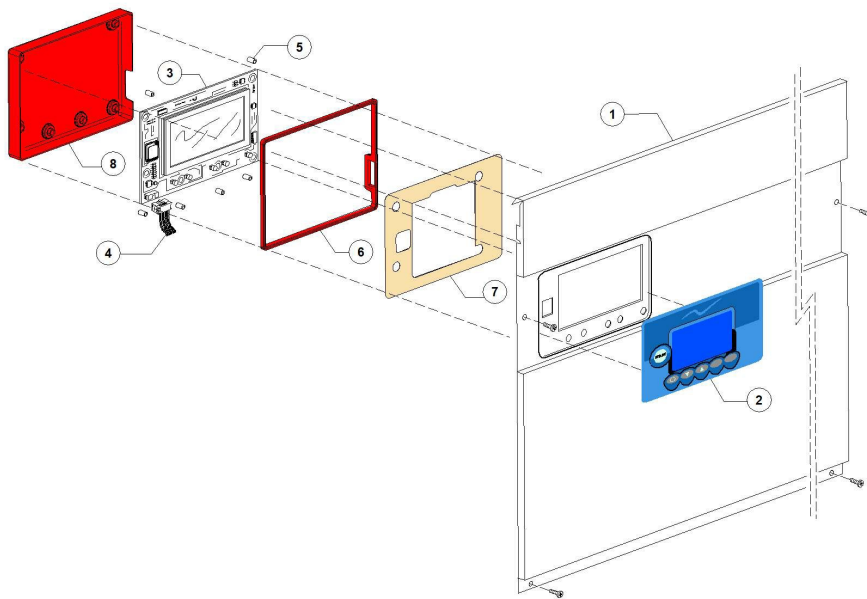
| Pos. | Codice | Descrizione | Description |
|------|-----------|---|--|
| 1 | DW91000/A | | COMPLETE LOWER DOOR P2S |
| 2 | DW91000/B | | COMPLETE TOP DOOR P2S |
| 3 | DW22219 | CILINDRETTI PORTA | SMALL DOOR CYLINDERS |
| 4 | DW22220 | ASTA PORTA | DOOR ROD |
| 5 | DW22206/B | CERNIERA PORTA | DOOR HINGE |
| 6 | DW22220/A | PERNO INOX PER CERNIERA PER PORTA | DOOR HINGE S/S STUD |
| 7 | DW80232 | MAGNETE PER REED | REED MAGNETIC UNIC |
| 8 | DW11721 | DADO M6 AUTOBLOCCANTE INOX DIN982 (MIN. 10 PZ.) | S/S SELF-LOCKING NUT M6 DIN982 (MIN. 10 PCS) |
| 9 | DW90024 | PATTINO SCORRIMENTO PORTA | DOOR SLIDING GUIDE |
| 10 | DW11177 | RONDELLA 6X12 PIANA INOX UNI6592 DIN125 | 6X12 S/S PLAIN WASHER UNI6592 DIN125 |
| 11 | DW11176 | RONDELLA 5X10 PIANA INOX UNI6592 DIN125 | 5X10 S/S PLAIN WASHER UNI6592 DIN125 |
| 12 | DW11169 | DADO M5 AUTOBLOCCANTE INOX DIN982 | S/S SELF-LOCKING NUT M5 DIN982 |
| 13 | DW90916 | STAFFA MOVIMENTO PORTA | DOOR MOVEMENT SUPPORT |
| 14 | DW11815 | SEEGER D.8 INOX (MIN. 5 PZ) | SNAP RING D.8 S/S |
| 15 | DW11104/B | VITE M6X16 INOX TE DIN933 | M6X16 TE S/S SCREW DIN933 |
| 17 | DW11185 | RONDELLA 8X16 PIANA INOX DIN125 | 8X16 S/S PLANE WASHER DIN125 |

Зип Общепит

vsezip.ru

LP2 S PLUS PS XP DDE PAP 380-400/3N/50 - DW118198 - Pannello comandi - DW118E

+7(812)987-08-81

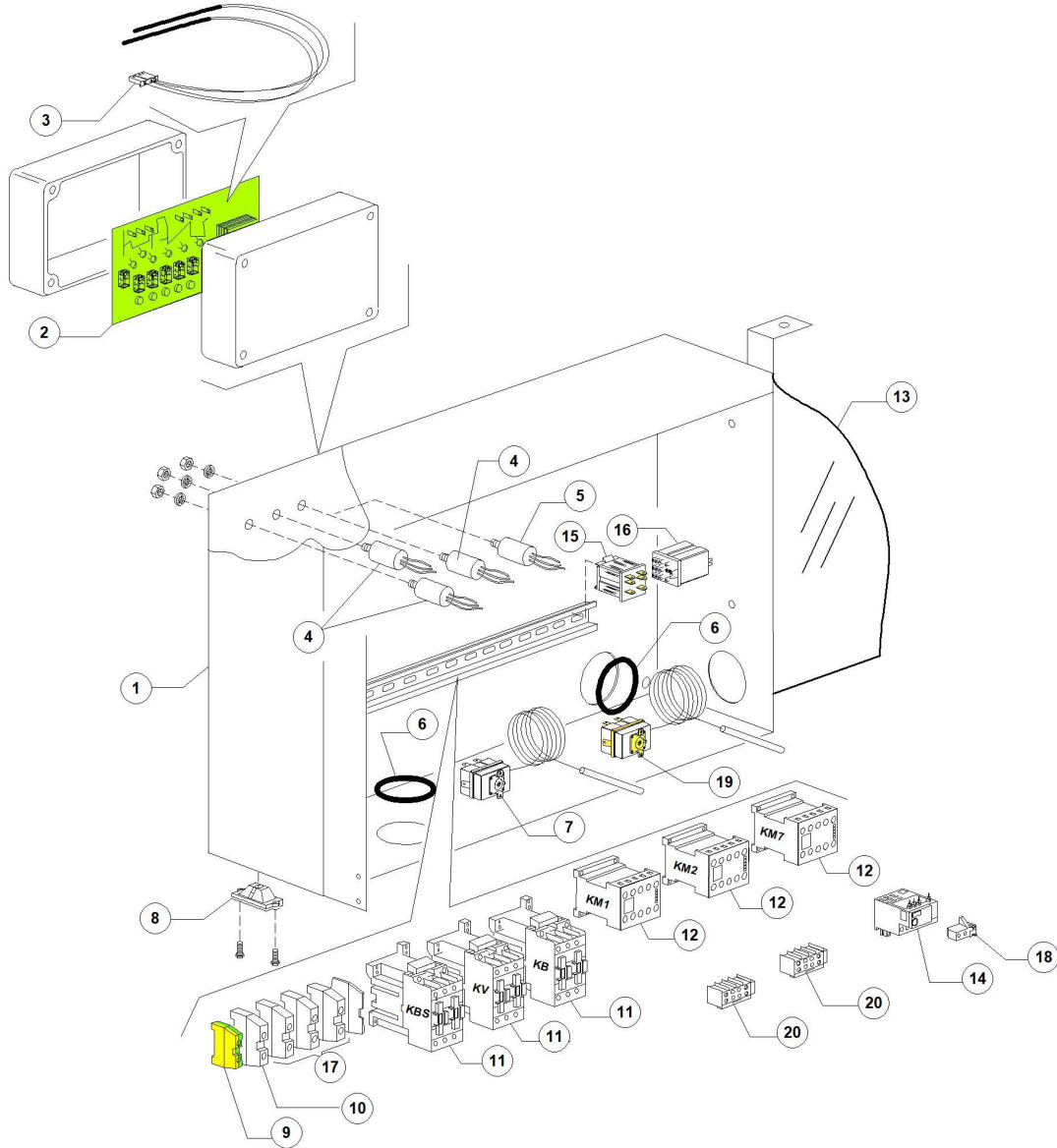


Зип Общепит

vsozip.ru

LP2 S PLUS PS XP DDE PAP 380-400/3N/50 - DW1018198 - Pannello comandi - DW118E

| Pos. | Codice | Descrizione | Description |
|------|-----------|---------------------------------|---|
| 1 | DW91013 | SOTTOPORTA/PANNELLO COMANDI | FRONT PANEL/CONTROL PANEL |
| 2 | DW96704 | MOSTRINA DIHR | CONTROL OVERLAY DIHR |
| 3 | DW50650 | TASTIERA CON DISPLAY | KEY BOARD WITH DISPLAY |
| 4 | DW50651 | PIATTINA MULTIFILO F16p L1000 | RIBBON CABLE F16p L1000 |
| 5 | DW50561 | DISTANZIALE SCHEDA D.8X10 | MAINBOARD SPACER D.8X10 |
| 6 | DW50650/B | GUARNIZIONE SCATOLA DW50650/A | PROTECTION BOX GASKET DW50650/A |
| 7 | DW96716 | PROTEZIONE ISOLANTE PULSANTIERA | PUSH BUTTON PANEL INSULATING PROTECTION |
| 8 | DW50650/A | SCATOLA PROTEZIONE SCHEDA 50650 | ELECTRONIC BOARD PROTECTION BOX 50650 |



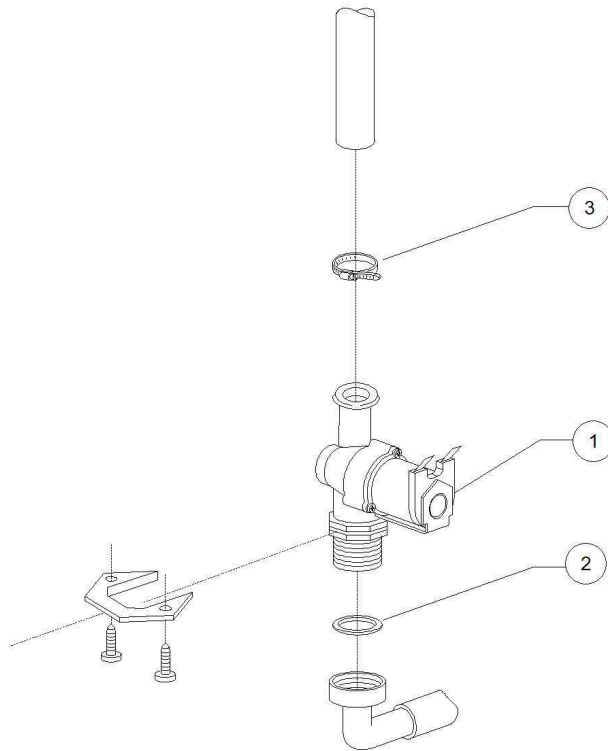
| Pos. | Codice | Descrizione | Description |
|------|------------|--|---------------------------------------|
| 1 | DW91001 | PANNELLO PORTACOMPONENTI | ELECTRIC COMPONENTS PANEL |
| 2 | DW91120 | SCHEDA MADRE P2S-P3S-P4S8 PLUS 2009 (BL) | MAINBOARD P2S-P3S-P4S8 PLUS 2009 (BL) |
| 3 | DW50562 | SONDA TERMOSTATO | THERMOSTAT PROBE |
| 4 | DW15149 | FILTRO ANTIDISTURBO F3 0,33MF | ANTIJAMMING FILTER F3 (CX0.47MF) |
| 6 | DW13324 | PASSACAVO IN GOMMA D.46X50 | RUBBER FAIRLEAD D.46X50 |
| 7 | DW2000430 | TERMOSTATO DI SICUREZZA | SAFETY THERMOSTAT |
| 8 | DW15065/A | FISSACAVO CON VITI (2X11007) | CABLE-FASTENER WITH SCREW |
| 9 | DW3006173 | MORSETTO 16mmq GIALLO/VERDE | TERMINAL 16mmq YELLOW/GREEN |
| 10 | DW3006155 | MORSETTO NEUTRO 16mmq BLU | TERMINAL 16mmq BLEU |
| 11 | DW10300050 | TELERUTTORE 25A/12A 4NA 230V 50-60HZ | CONTACTOR 25A/12A 4NA 230V 50-60HZ |
| 12 | DW15086 | TELERUTTORE 230V 50/60Hz 4C AC3(6A) | CONTACTOR 230V 50/60Hz 4C AC3(6A) |
| 13 | DW11600039 | PROTEZIONE COMPONENTI ELETTRICI | ELECTRICAL COMPONENTS PROTECTION |
| 16 | DW560301 | RELÈ 230V 50/60Hz GUIDA DIN | RELAY 230V 50/60Hz DIN RAIL |
| 17 | DW3006082 | MORSETTO 16mmq | TERMINAL 16mmq |
| 20 | DW3006068 | CONTATTO AUSILIARIO PER MC9 1NO-1NC | MC9 AUXILIARY CONTACT 1NO-1NC |

Зип Общепит

vsezip.ru

LP2 S PLUS PS XP DDE PAP 380-400/3N/50 - DW118E - Valvola di carico - DW118E

+7(812)987-08-81



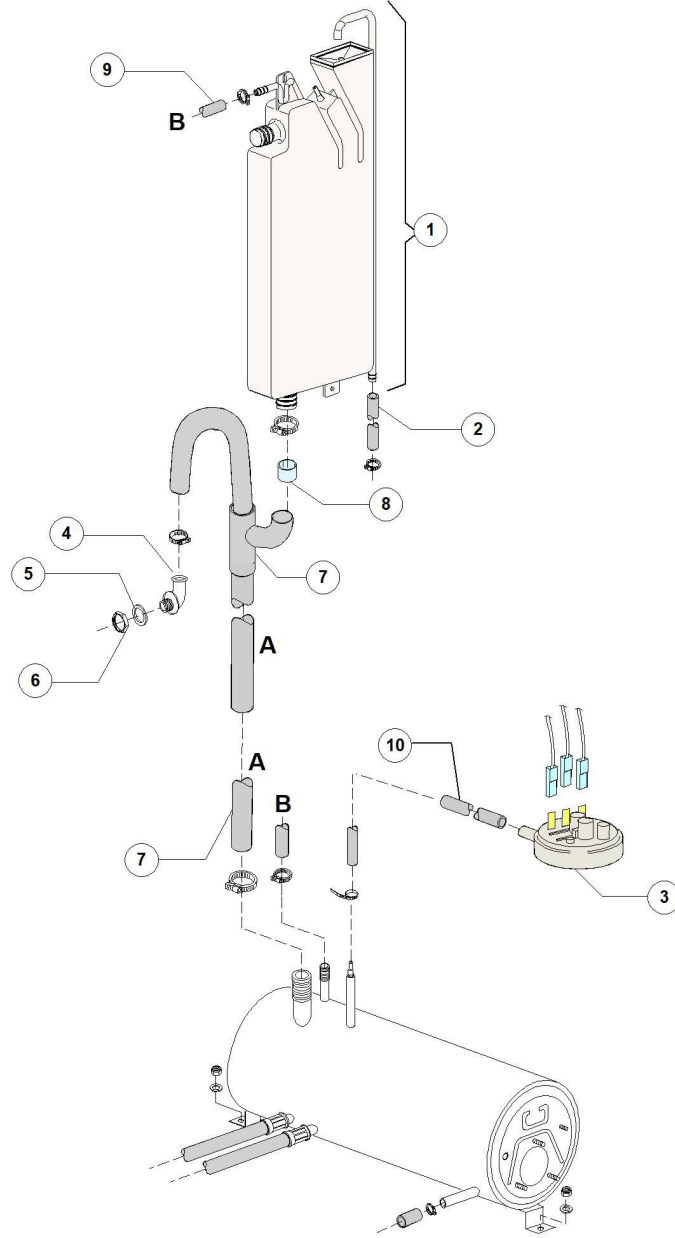
Зип Общепит

vsozip.ru

LP2 S PLUS PS XP DDE PAP 380-400/3N/50 - DW1018198 - Valvola di carico - DW118E

| Pos. | Codice | Descrizione | Description |
|------|---------|-------------------------------------|-----------------------------------|
| 1 | DW10703 | ELETTRORVALVOLA SINGOLA H20 230V | SINGLE SOLENOID VALVE H20 230V |
| 2 | DW13307 | GUARNIZIONE 3/4 CARICO | O-RING 3/4 LOAD H20 DIS.LS061 |
| 3 | DW11807 | FASCETTA AISI 430 12/22 (MIN. 3 PZ) | CLAMP 12/22 AISI 430 (MIN. 3 PCS) |

+7(812)987-08-81



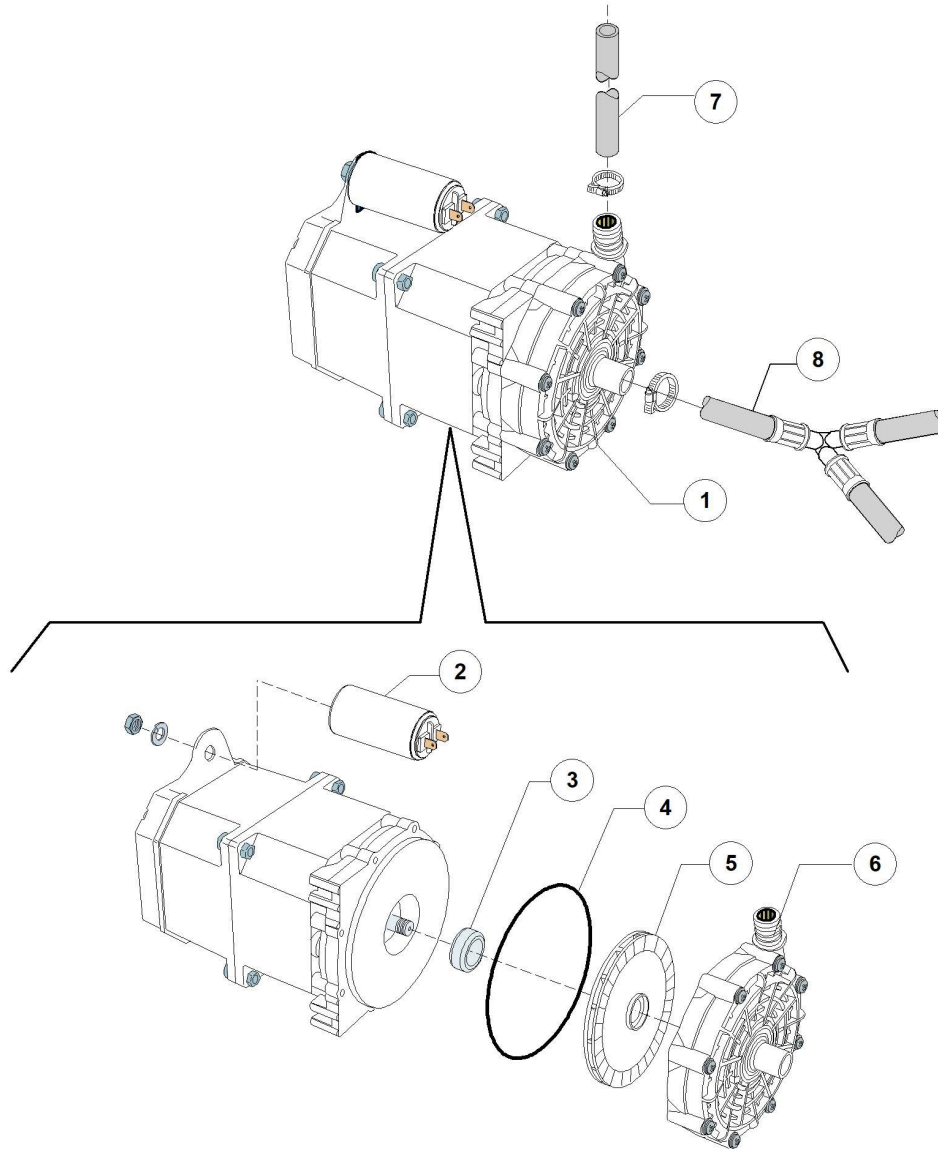
Зип Общепит

ysozip.ru

LP2 S PLUS PS XP DDE PAP 380-400/3N/50 - PV.H.0.8193 - Break Tank - DW118E

| Pos. | Codice | Descrizione | Description |
|------|-----------|------------------------------------|--|
| 1 | DW15720 | ASSIEME BREAK TANK 3.5LT | BREAK TANK ASSEMBLY 3.5 LT |
| 2 | DW2907352 | TUBO GOMMA PVC WRAS | PVC WRAS RUBBER PIPE |
| 3 | DW10706/A | PRESSOSTATO 46-26 | PRESSURE SWITCH 46-26 |
| 4 | DW10701 | GOMITO DI SCARICO | DRAIN ELBOW |
| 5 | DW13305 | GUARNIZIONE GOMITO SCARICO 44X32X3 | O-RING FOR DRAIN ELBOW 44x32x3 DIS.LS061 |
| 6 | DW11701/A | DADO INOX | S/S NUT |
| 7 | DW91112 | MANICOTTO EPDM | LOADING/SAFETY PIPES ASSEMBLY |
| 8 | DW12533 | RINFORZO COLLARE USCITA BREAK TANK | BREAK TANK OUTLET COLLAR REINFORCEMENT |
| 9 | DW2907351 | TUBO GOMMA EPDM 11,5X19 | 11,5X19 EPDM RUBBER PIPE |
| 10 | DW14506 | TUBO GOMMA EPDM 9.5X16 | 9,5X16 EPDM RUBBER PIPE 9.5X16 |

+7(812)987-08-81



Зип Общепит

vsezip.ru

LP2 S PLUS PS XP DDE PAP 380-400/3N/50 - DW110193 - Pompa aumento pressione - DW118E

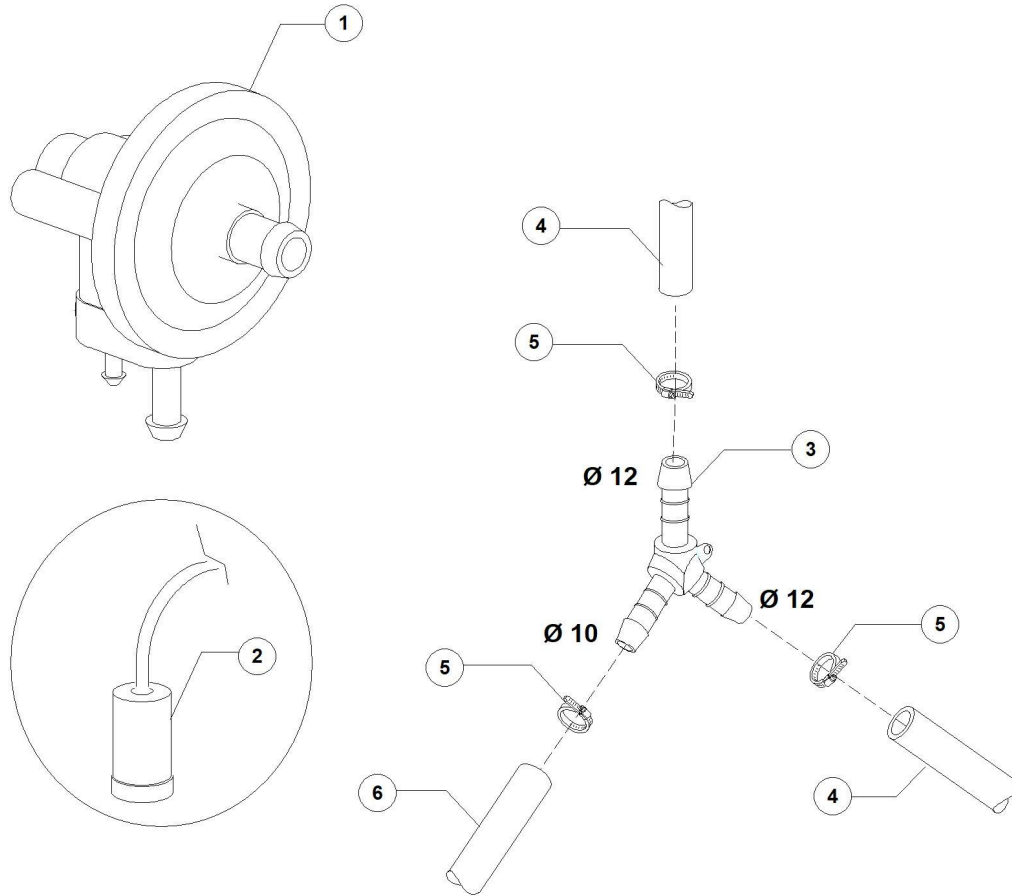
| Pos. | Codice | Descrizione | Description |
|------|------------|-------------------------------------|----------------------------------|
| 1 | DW15100/DO | POMPA RISCIAQUO 220-240/50HZ (PLUS) | RINSE PUMP 220-240V, 50HZ (PLUS) |
| 2 | DW16043 | CONDENSATORE 5 UF | 5 UF CONDENSER |
| 3 | DW15100/S | TENUTE ROTANTI EPDM (15100/DO) | EPDM ROTARY SEAL (15100/DO) |
| 4 | DW15100/T | GUARNIZIONE OR (15100/DO) | O-RING EPDM (15100/DO) |
| 5 | DW15100/U | GIRANTE POMPA 90X2,5 (DW15100/DO) | PUMP ROTOR 90X2.5 (DW15100/DO) |
| 6 | DW15100/V | CHIOCCIOLA POMPA 15100/DO | SCROLL FOR PUMP 15100/DO |
| 7 | DW2907351 | TUBO GOMMA EPDM 11,5X19 | 11,5X19 EPDM RUBBER PIPE |
| 8 | DW91111 | ASSIEME TUBI ASPIRAZIONE D.12 | EXHAUSTER PIPE ASSEMBLY D.12 |

Зип Общепит

vsezip.ru

LP2 S PLUS PS XP DDE PAP 380-400/3N/50 - DW1201-12E - Gruppo dosatore Brillantante - DW118E

+7(812)987-08-81



Зип Общепит

vszip.ru

LP2 S PLUS PS XP DDE PAP 380-400/3N/50 - DW1018198 - Gruppo dosatore Brillantante - DW118E

| Pos. | Codice | Descrizione | Description |
|------|-----------|-------------------------------------|-----------------------------------|
| 1 | DW10799/G | DOSATORE BRILLANTANTE | RINSE AID DOSING PUMP |
| 2 | DW15058 | FILTRINO (MIN. 3 PZ) | SMALL FILTER (MIN. 3 PCS) |
| 3 | DW540105 | DERIVAZIONE 3 VIE D.10-12-12 | Y-PIECE D.10-12-12 |
| 4 | DW2907351 | TUBO GOMMA EPDM 11,5X19 | 11,5X19 EPDM RUBBER PIPE |
| 5 | DW11807 | FASCETTA AISI 430 12/22 (MIN. 3 PZ) | CLAMP 12/22 AISI 430 (MIN. 3 PCS) |

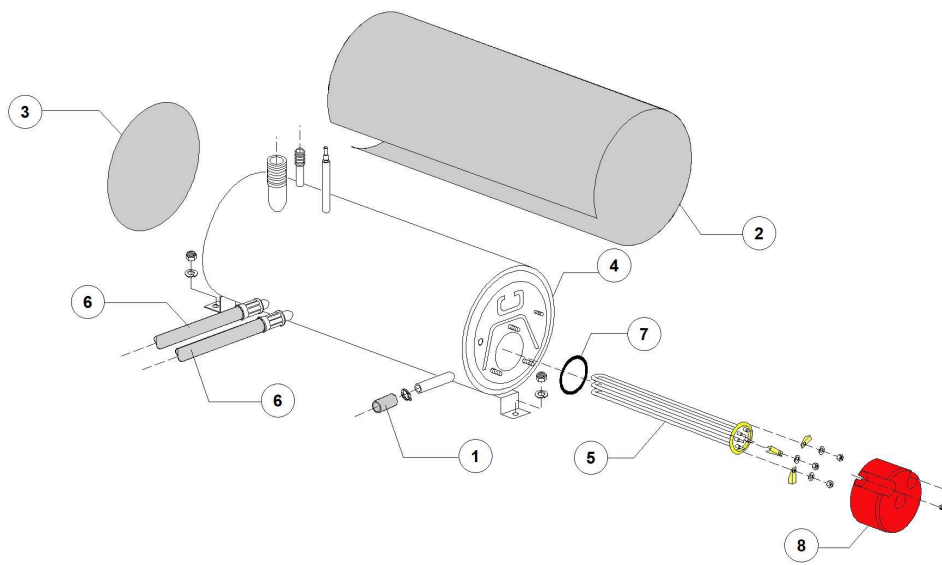
+7(812)987-08-81

Зип Ощепит

vsezip.ru

LP2 S PLUS PS XP DDE PAP 380-400/3N/50 - DW110 B3198 Gruppo boiler - DW118E

+7(812)987-08-81



Зип Общепит

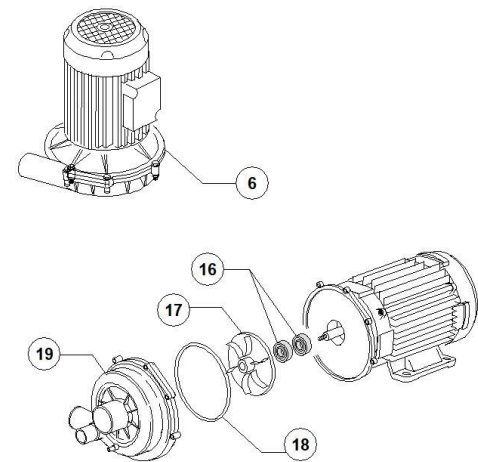
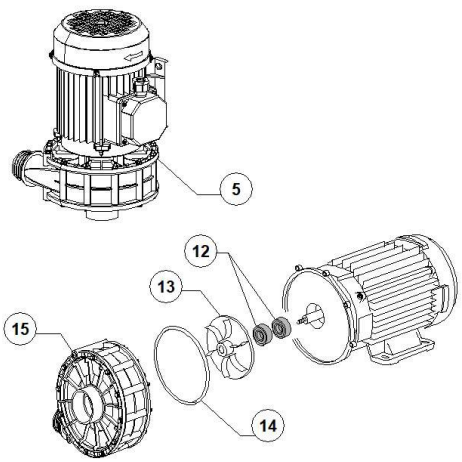
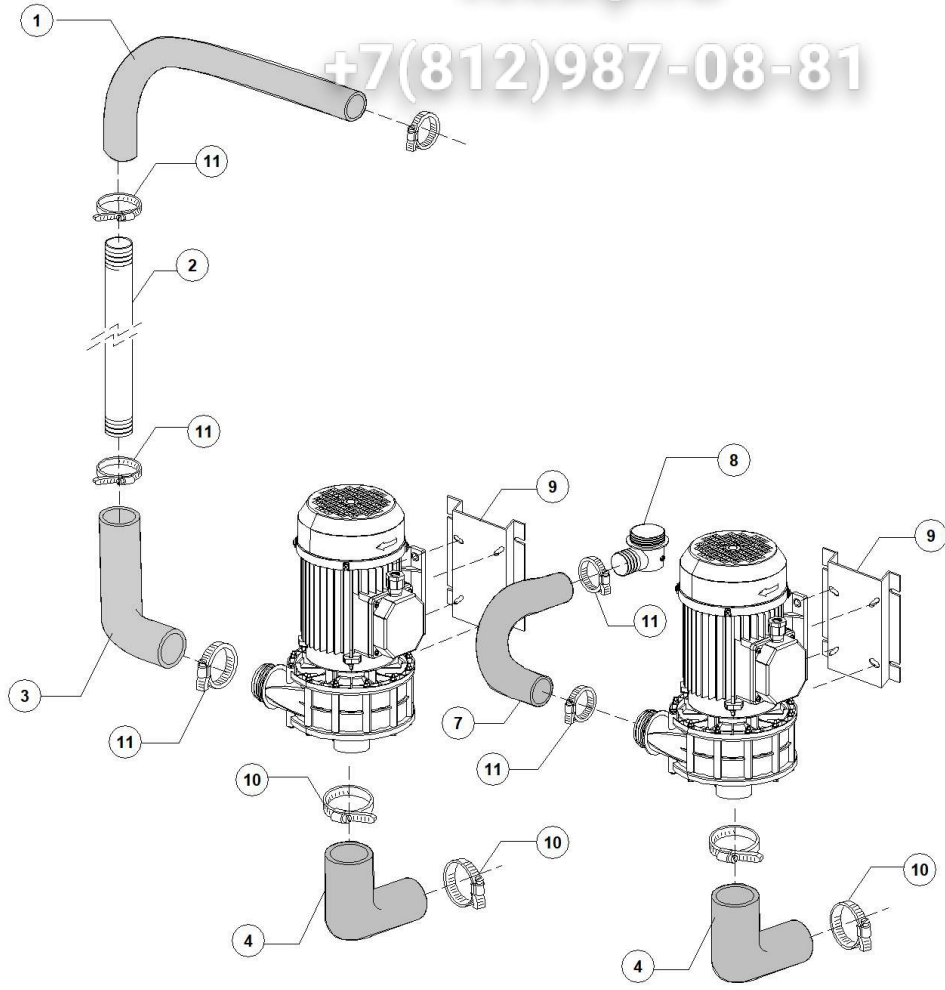
vsezip.ru

LP2 S PLUS PS XP DDE PAP 380-400/3N/50 - DW11013198 Gruppo boiler - DW118E

| Pos. | Codice | Descrizione | Description |
|------|--------------|---|---------------------------------------|
| 1 | DW10200293 | TUBO EPDM 8X15 | 8X15 EPDM PIPE |
| 2 | DW91116 | COIBENTE BOILER 600X680 | BOILER INSULATING 600X680 |
| 3 | DW91115 | DISCO ESPANSOLENE D.190 | INSULATING DISK D.190 |
| 4 | DW91104 | BOILER ATMOSFERICO AISI 316 | ATMOSPHERIC BOILER AISI 316 |
| 5 | DW30001010 | RESISTENZA 6000/6530W 230/240V 3 | 6000/6530W 230/240V 3 HEATING ELEM. |
| 5 | DW30001011/A | RESISTENZA 12000/13070W 230/240V 3 | 12000/13070W 230/240V 3 HEATING ELEM. |
| 6 | DW91111 | ASSIEME TUBI ASPIRAZIONE D.12 | EXHAUSTER PIPE ASSEMBLY D.12 |
| 7 | DW13015 | GUARNIZIONE 6225 OR 160 NBR (MIN. 5 PZ) | 6225 O-RING 160 NBR (MIN. 5 PCS) |
| 8 | DW75311 | CUFFIOTTO PER RESISTENZA | HEATING ELEMENT COVER |

+7(812)987-08-81

+7(812)987-08-81



Зип Общепит

vsezip.ru

LP2 S PLUS PS XP DDE PAP 380-400/3N/50 - DW118E - P198 Gruppo pompa di lavaggio - DW118E

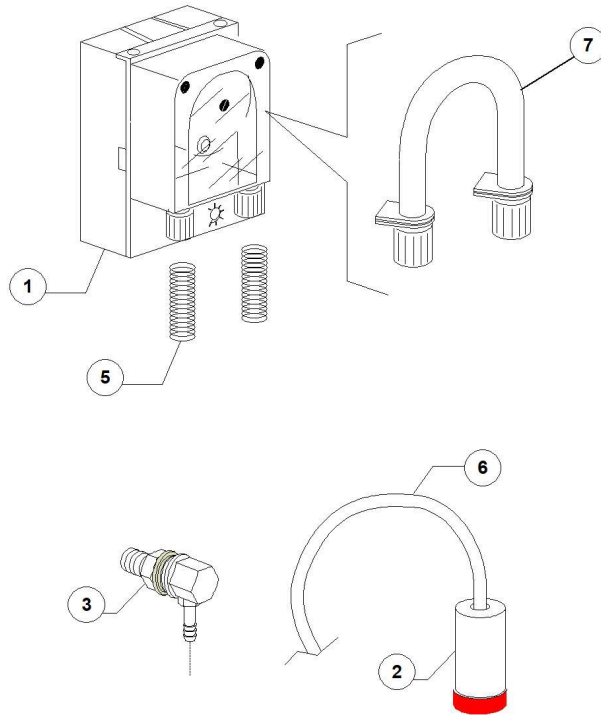
| Pos. | Codice | Descrizione | Description |
|------|--------------|-------------------------------------|-----------------------------------|
| 1 | DW91106 | MANICOTTO MANDATA 45/45 | DELIVERY PIPE COUPLING 45/45 |
| 2 | DW91105 | RAMPA DI LAVAGGIO P2S | WASH RISER P2S |
| 3 | DW91106 | MANICOTTO MANDATA 45/45 | DELIVERY PIPE COUPLING 45/45 |
| 4 | DW3002020 | MANICOTTO A GOMITO D.60 | ELBOW PIPE COUPLING D.60 |
| 5 | DW22037 | POMPA HP2.0 220-240/380-415V3/50HZ | PUMP HP2.0 220-240/380-415V3/50HZ |
| 6 | DW22037 | POMPA HP2.0 220-240/380-415V3/50HZ | PUMP HP2.0 220-240/380-415V3/50HZ |
| 7 | DW91108 | MANICOTTO MANDATA INFERIORE | LOWER DELIVERY PIPE COUPLING |
| 8 | DW90008 | TORRETTA INFERIORE/SUPERIORE | LOWER / UPPER SUPPORT |
| 9 | DW11600623 | STAFFA SUPPORTO POMPA | PUMP SUPPORT G12 |
| 10 | DW2902491 | FASCETTA AISI 430 60/80 (MIN. 2 PZ) | CLAMP 60/80 AISI 430 (MIN. 2 PCS) |
| 11 | DW11824 | FASCETTA AISI 430 50/70 (MIN. 2 PZ) | CLAMP 50/70 AISI 430 (MIN. 2 PCS) |
| 12 | DW15080 | TENUTE ROTANTI | ROTATING SEALS |
| 13 | DW22045/O | GIRANTE POMPA | PUMP ROTOR (PUMP 2HP) |
| 14 | DW10200290/O | GUARNIZIONE OR | OR 1225 GASKET |
| 15 | DW10200222/O | CHIOCCIOLA | SCROLL |
| 16 | DW15080 | TENUTE ROTANTI | ROTATING SEALS |
| 17 | DW22045 | GIRANTE POMPA (POMPA DA 2HP) | PUMP ROTOR (PUMP 2HP) |
| 18 | DW10200290 | GUARNIZIONE OR 1225 | OR 1225 GASKET |
| 19 | DW10200222 | CHIOCCIOLA | SCROLL |

Зип Общепит

vsezip.ru

LP2 S PLUS PS XP DDE PAP 380-400/3N/50 DW11818198 Dosatore detersivo - DW118E

+7(812)987-08-81



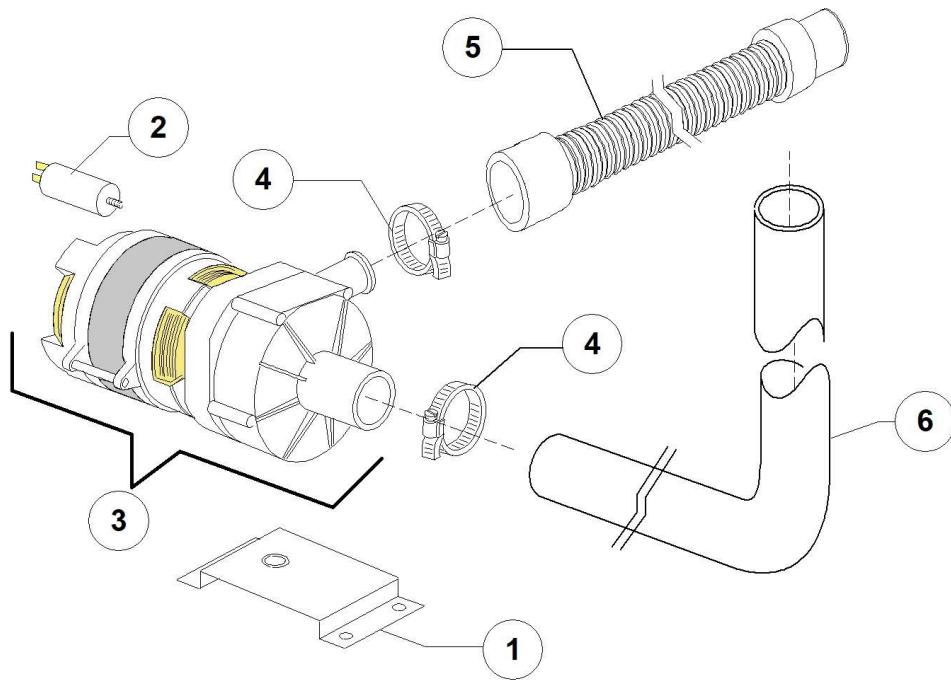
Зип Общепит

vsezip.ru

LP2 S PLUS PS XP DDE PAP 380-400/3N/50 DW11018198 Dosatore detersivo - DW118E

| Pos. | Codice | Descrizione | Description |
|------|-----------|---------------------------------------|---------------------------------------|
| 1 | DW15985 | DOSATORE DETERGENTE 0-3L/H | DETERGENT DOSING PUMP 0-3L/H |
| 2 | DW15058 | FILTRINO (MIN. 3 PZ) | SMALL FILTER (MIN. 3 PCS) |
| 3 | DW15123 | INIETTORE PER DOSATORE DETERSIVO INOX | S/S DOSING PUMP INJECTOR |
| 5 | DW10763 | MOLLA INOX PER TUBO | PIPE S/S SPRING |
| 6 | DW14503 | TUBO PVC TRASPARENTE D.6X4 | D.6X4 PVC TRANSPARENT HOSE |
| 7 | DW15108/E | TUBO TERMOPLASTICO DOSATORE GERMAC | GERMAC DISPENSER THERMOPLASTIC HOSE |
| 7 | DW15185 | TUBO TERMOPLASTICO DOSATORE SEKO | SEKO DISPENSER THERMOPLASTIC HOSE |
| 7 | DW15297 | TUBO TERMOPLASTICO DOSATORE SEKO | SEKO DISPENSER THERMOPLASTIC HOSE |
| 7 | DW15297/T | TUBO TERMOPLASTICO DOSATORE TECNOPRO | TECNOPRO DISPENSER THERMOPLASTIC HOSE |
| 7 | DW15985/A | #TUBO TERMOPLASTICO DDE MICRODOS | MICRODOS THERMOPLASTIC PIPE |

+7(812)987-08-81



Зип Общепит

vsezip.ru

LP2 S PLUS PS XP DDE PAP 380-400/3N/50 - DW118193 - Gruppo pompa di scarico - DW118E

| Pos. | Codice | Descrizione | Description |
|------|-----------|-------------------------------------|-----------------------------------|
| 1 | DW440122 | SUPPORTO POMPA LAVAGGIO | WASH PUMP SUPPORT |
| 2 | DW10702 | CONDENSATORE 5 UF | 5 UF CONDENSER |
| 3 | DW10501/A | POMPA 190W 230V/50HZ | PUMP 190W 230V/50HZ |
| 4 | DW11806 | FASCETTA AISI 430 25/40 (MIN. 2 PZ) | CLAMP 25/40 AISI 430 (MIN. 2 PCS) |
| 5 | DW10727 | CANNA DI SCARICO | DRAIN HOSE |
| 6 | DW18044 | TUBO EPDM D.28 | D.28 EPDM PIPE |

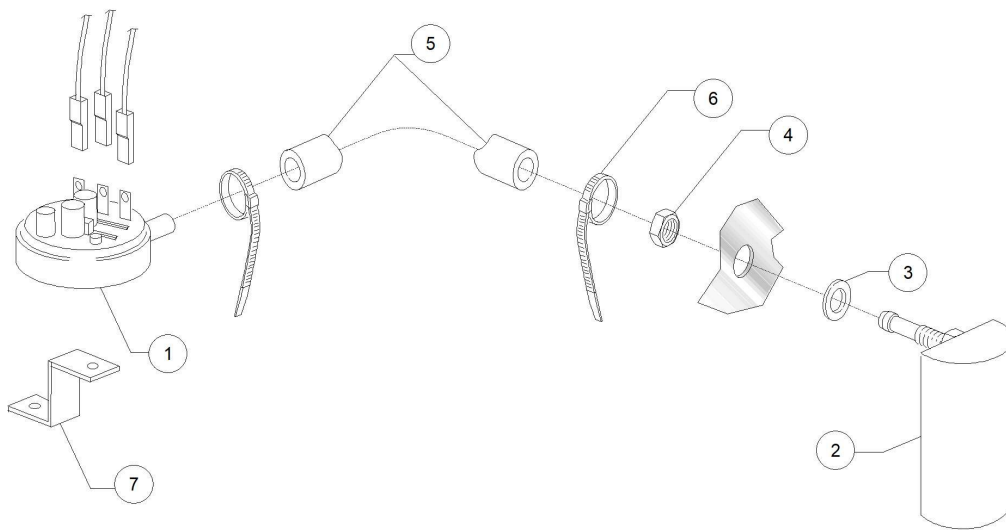
+7(812)987-08-81

Зип Общепит

vsezip.ru

LP2 S PLUS PS XP DDE PAP 380-400/3N/50 DW11018198 Pressostato - DW118E

+7(812)987-08-81



Зип Общепит

vsezip.ru

LP2 S PLUS PS XP DDE PAP 380-400/3N/50 DW1018198 Pressostato - DW118E

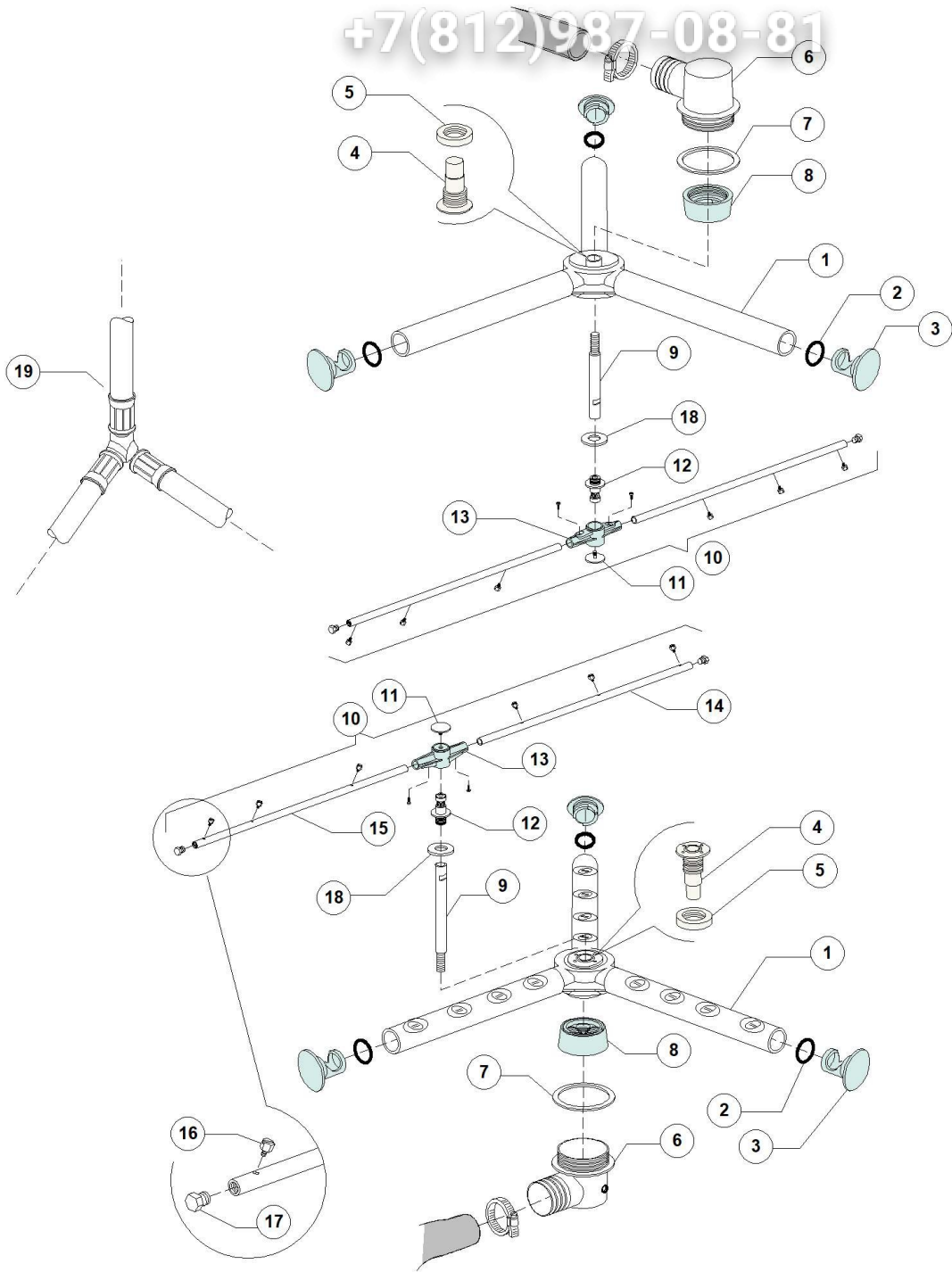
| Pos. | Codice | Descrizione | Description |
|------|-----------|------------------------------------|--|
| 1 | DW88110 | PRESSOSTATO 250-40 | PRESSURE SWITCH 250-40 |
| 2 | DW135911 | ASSIEME GABBIA D'ARIA GRIGIA L90 | GREY AIR TRAP ASSEMBLY L90 |
| 3 | DW13301 | GUARNIZIONE D14X8X1,5 (MIN. 10 PZ) | O-RING ROLMART D14X8X1,5 (MIN. 10 PCS) |
| 4 | DW11702 | DADO M8 INOX DIN934 (MIN. 20 PZ) | S/S NUT M8 DIN934 (MIN. 20 PCS) |
| 5 | DW14508 | TUBO EPDM 4,5X9 (MIN. 2 MT) | EPDM HOSE 4.5X9 (MIN. 2 MT) |
| 6 | DW10738 | FASCETTA PLASTICA 98X2,5 | PLASTIC CLAMP 98X2,5 |
| 7 | DW3009363 | SUPPORTO PRESSOSTATO | PRESSURE-SWITCH SUPPORT |

Зип Общепит

LP2 S PLUS PS XP DDE PAP 380-400/3N/50 - DW110 e 193 - Gruppo lavaggio-risciacquo - DW118E

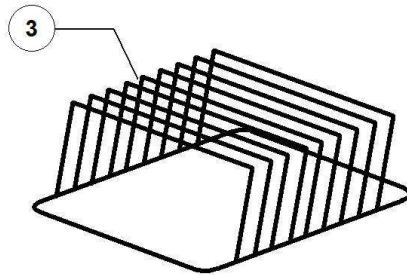
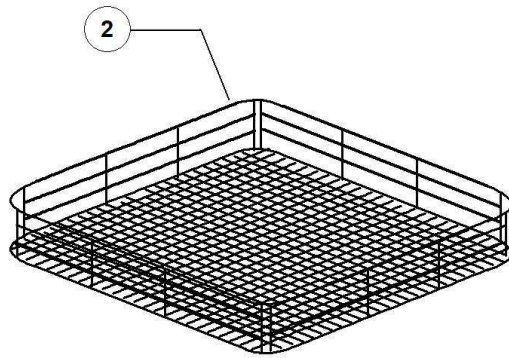
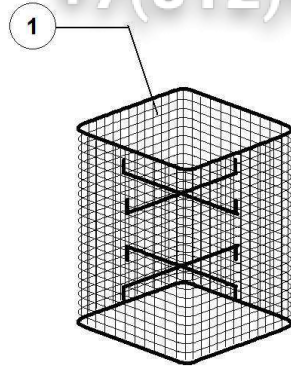
vsezip.ru

+7(812)987-08-81



| Pos. | Codice | Descrizione | Description |
|------|-----------|---|-------------------------------------|
| 1 | DW91102 | GIRANTE LAVAGGIO SUPERIORE/INFERIORE | UPPER/LOWER WASH ROTOR |
| 2 | DW13023 | GUARNIZIONE OR 131 (4093) | OR 131 (4093) NBR GASKET |
| 3 | DW3003029 | TAPPO PLASTICA | PLASTIC PLUG |
| 4 | DW75316 | MOZZO PER GIRANTE | HUB FOR ROTOR 11S/96 |
| 5 | DW75317 | DADO PER MOZZO 11S/96 | NUT FOR ROTOR HUB 11S/96 |
| 6 | DW90008 | TORRETTA INFERIORE/SUPERIORE | LOWER / UPPER SUPPORT |
| 7 | DW80208 | GUARNIZIONE RAMPA D.95X75X3 (MIN. 2 PZ) | RISER GASKET D.95X75X3 (MIN. 2 PCS) |
| 8 | DW90009 | MOZZO PER GIRANTE | HUB FOR ROTOR |
| 9 | DW90010 | PROLUNGA ASSE RISCIAQUO INFERIORE/SUPERIORE | UPPER/LOWER RINSE AXLE EXTENSION |
| 10 | DW91103 | GRUPPO RISCIAQUO INFERIORE/SUPERIORE | UPPER/LOWER RINSE ASSEMBLY |
| 11 | DW10652 | VITE RISCIAQUO/03 | RINSE ARM SCREW |
| 12 | DW10651 | ASSE RISCIAQUO | RINSE AXLE |
| 13 | DW10650 | MOZZO PER GIRANTE RISCIAQUO | HUB FOR RINSE ROTOR 03 |
| 14 | DW91103/D | BRACCIO RISCIAQUO DESTRO | RIGHT RINSE ARM |
| 15 | DW91103/S | BRACCIO RISCIAQUO SINISTRO | LEFT RINSE ARM |
| 16 | DW560018 | UGELLO RISCIAQUO INOX | STAINLESS STEEL RINSE NOZZLE |
| 17 | DW560017 | TAPPO PER TUBO RISCIAQUO | RINSE ARM PLUG |
| 18 | DW90031 | RONDELLA SCORRIMENTO LP1S/LP1S8 | SLIDING WASHER P1SLP1S8 |
| 19 | DW91110 | ASSIEME TUBI RISCIAQUO D.12 | RINSE PIPE ASSEMBLY D.12 |

+7(812)987-08-81



Зип Общепит

vsezip.ru

LP2 S PLUS PS XP DDE PAP 380-400/3N/3G - DW118198 - Cesti - DW118E

| Pos. | Codice | Descrizione | Description |
|------|---------|------------------------------|------------------------|
| 1 | DWC86/A | CESTELLO PORTA SPATOLE INOX | S/S SPATULA BASKET |
| 2 | DW91100 | CESTO INOX 700X700 P2S | 700X700 S/S BASKET P2S |
| 3 | DWC97/A | INSERTO INOX PER VASSOI 8 PZ | S/S TRAY SUPPORT 8 PCS |

+7(812)987-08-81

Зип Общепит

vsezip.ru

+7(812)987-08-81

