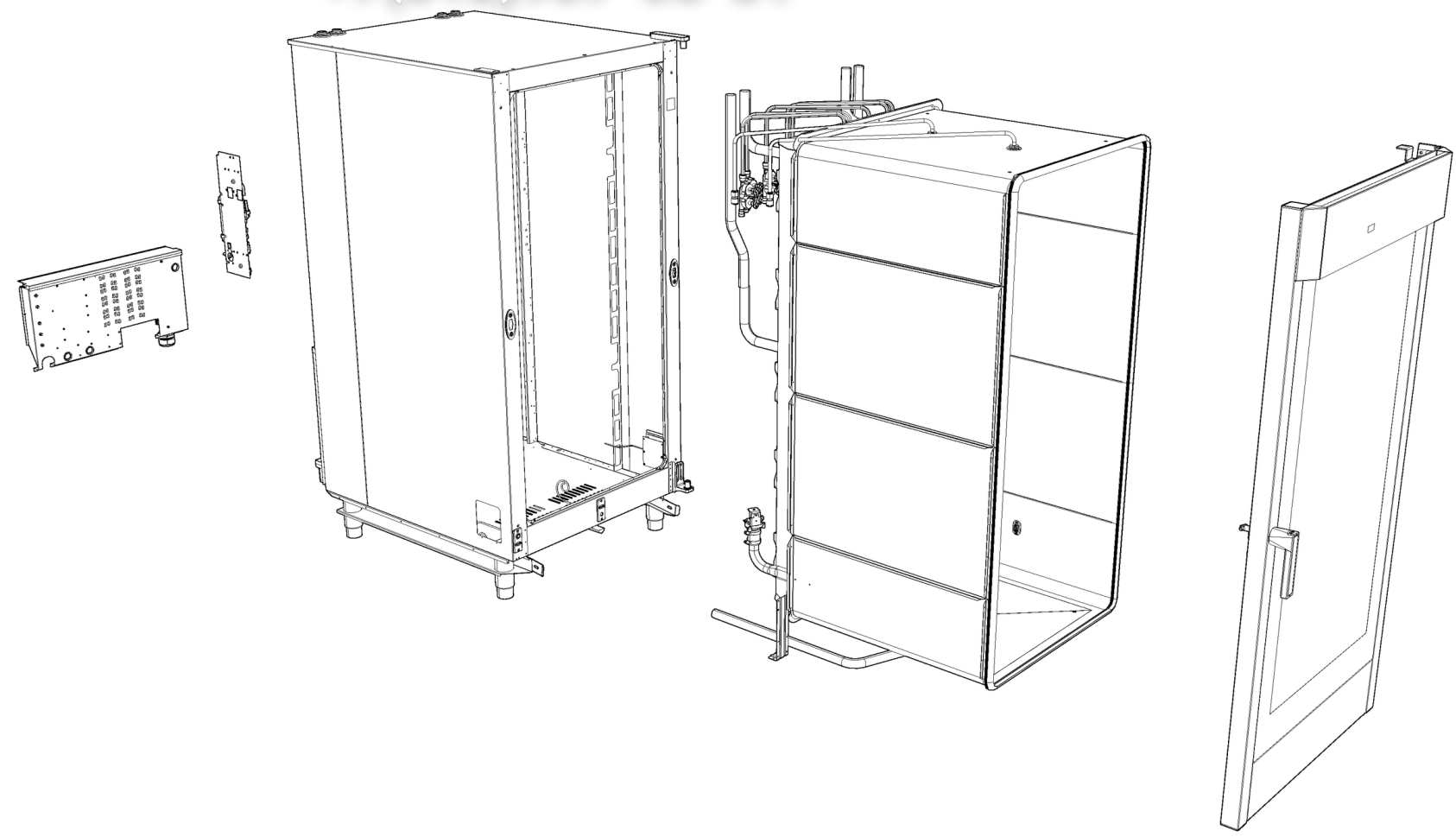


MOD:XVC4005EPL

Зип-Общепит
vsezip.ru



+7(812)987-08-81

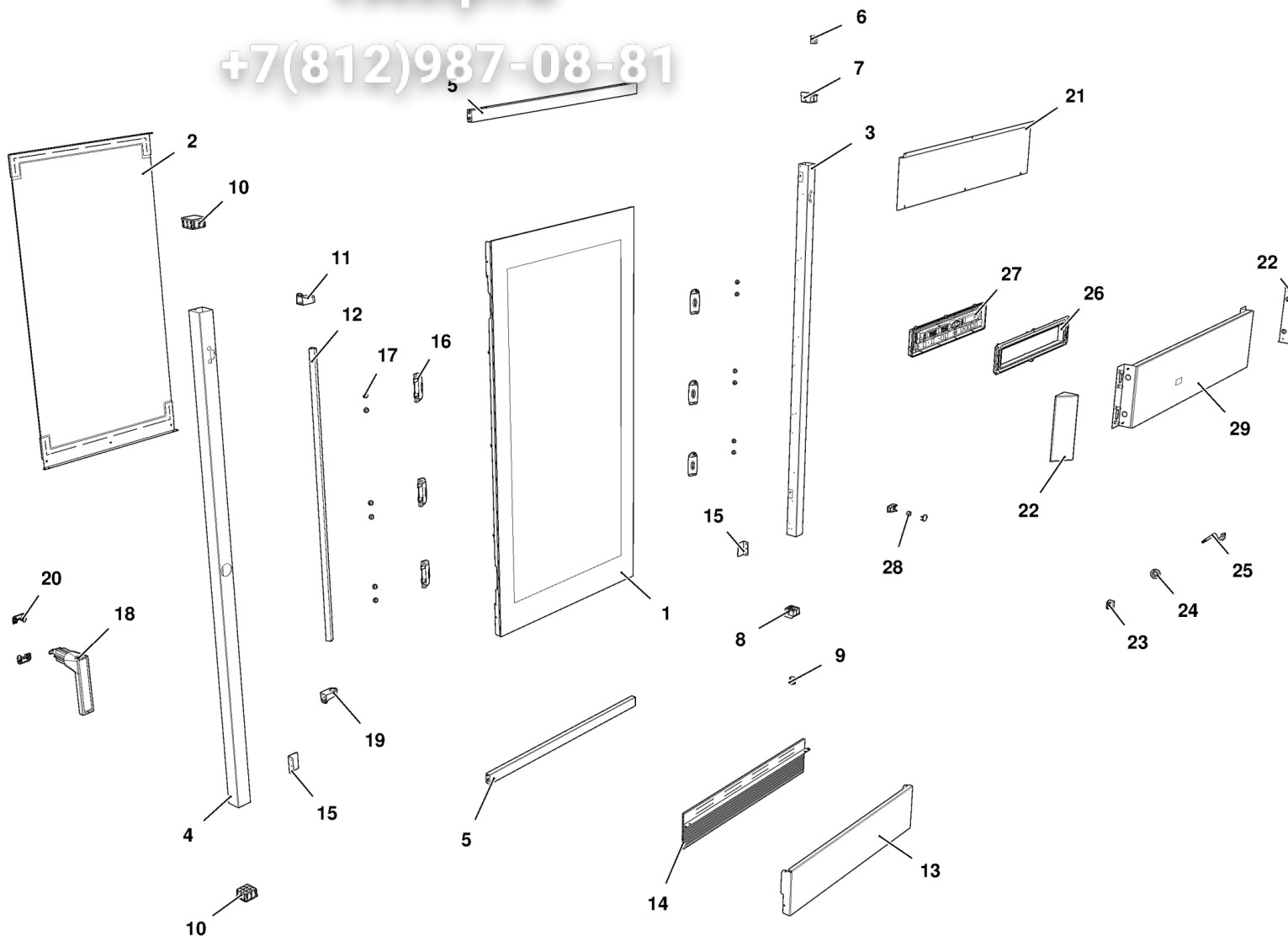


MOD:XVC4005EPL

Зип-Общепит
vsezip.ru



+7(812)987-08-81

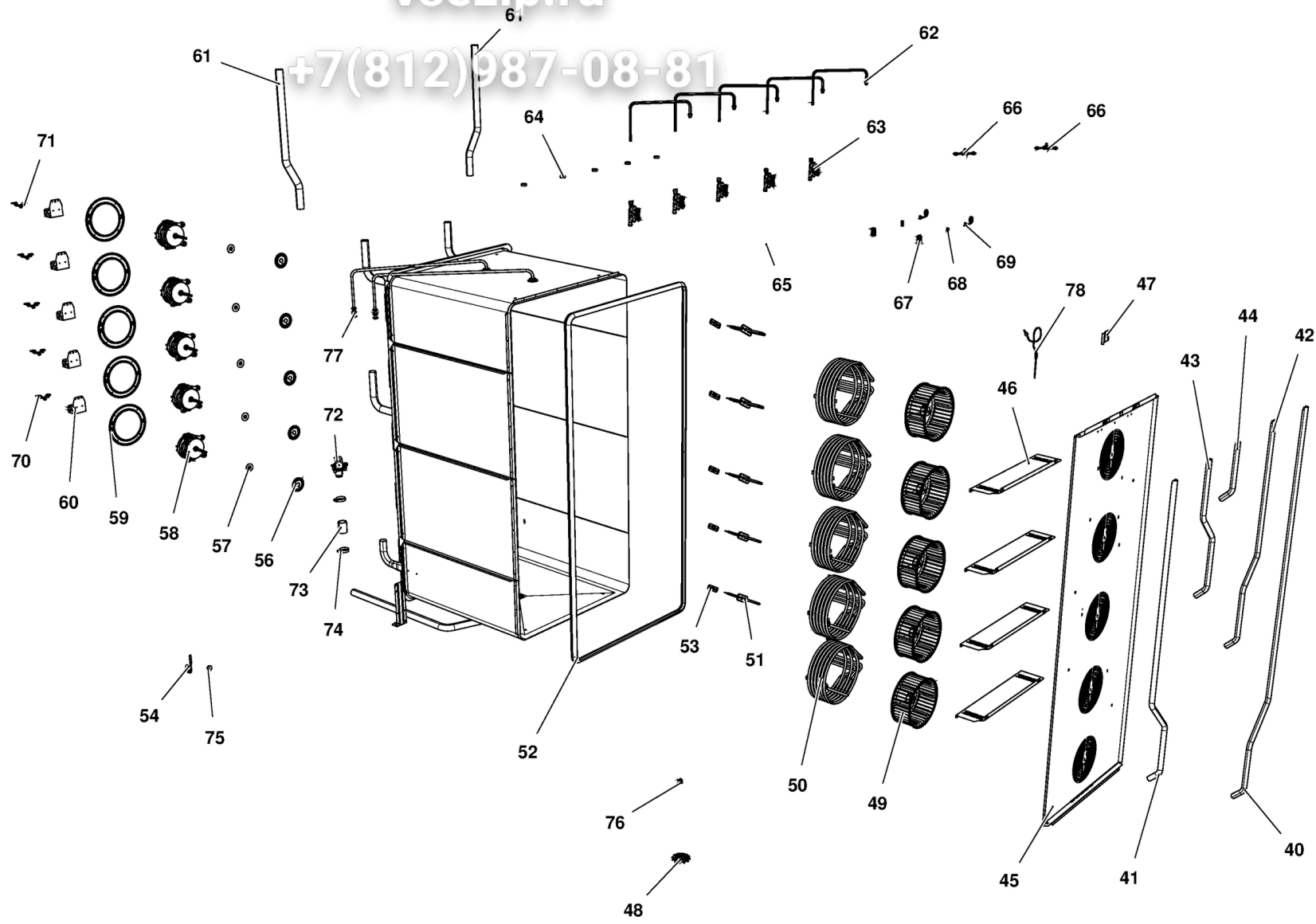


MOD:XVC4005EPL

Зип-Общепит
vsezip.ru



+7(812)987-08-81

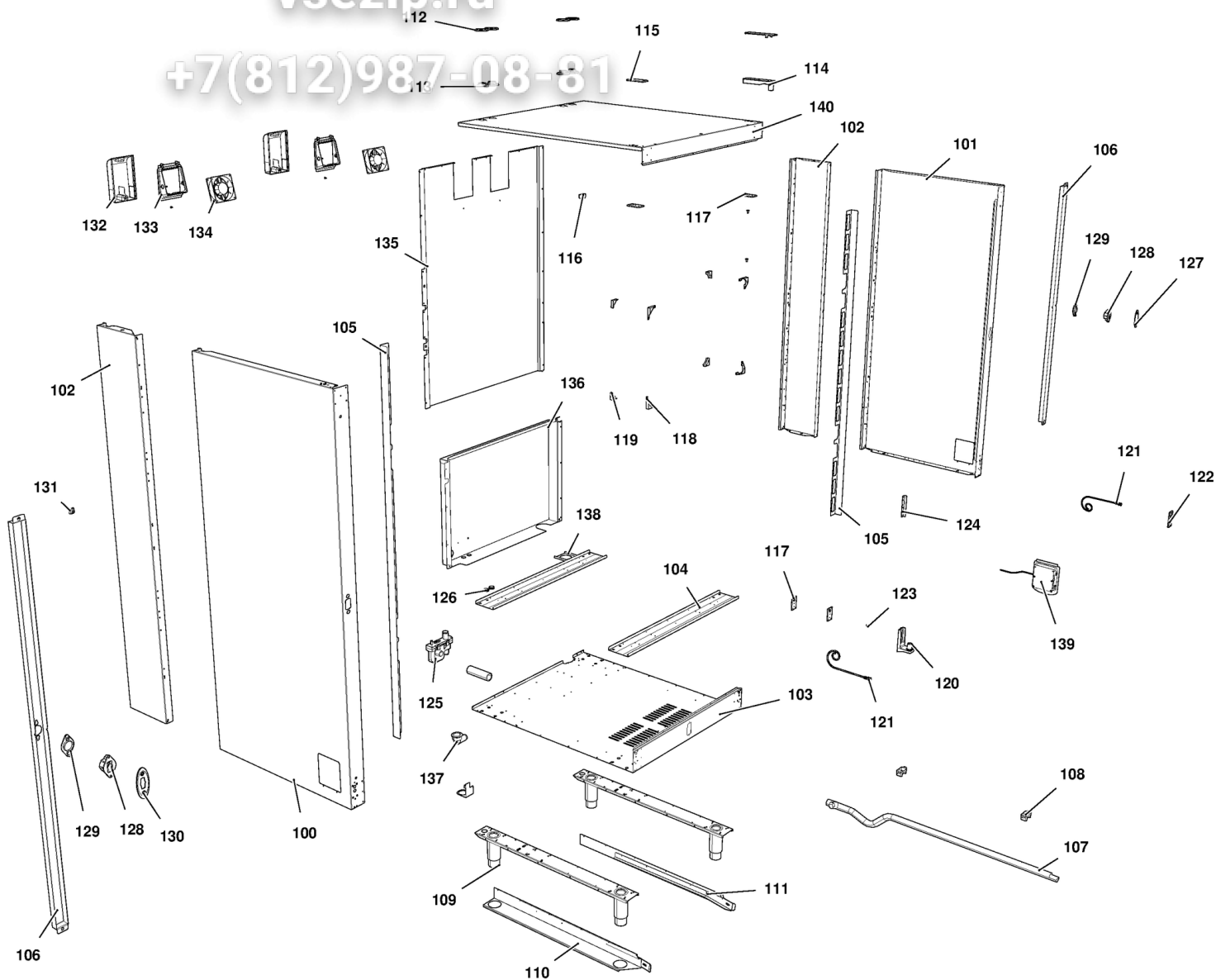


MOD:XVC4005EPL

Zip-Общепит
vsezip.ru



+7(812)987-08-81

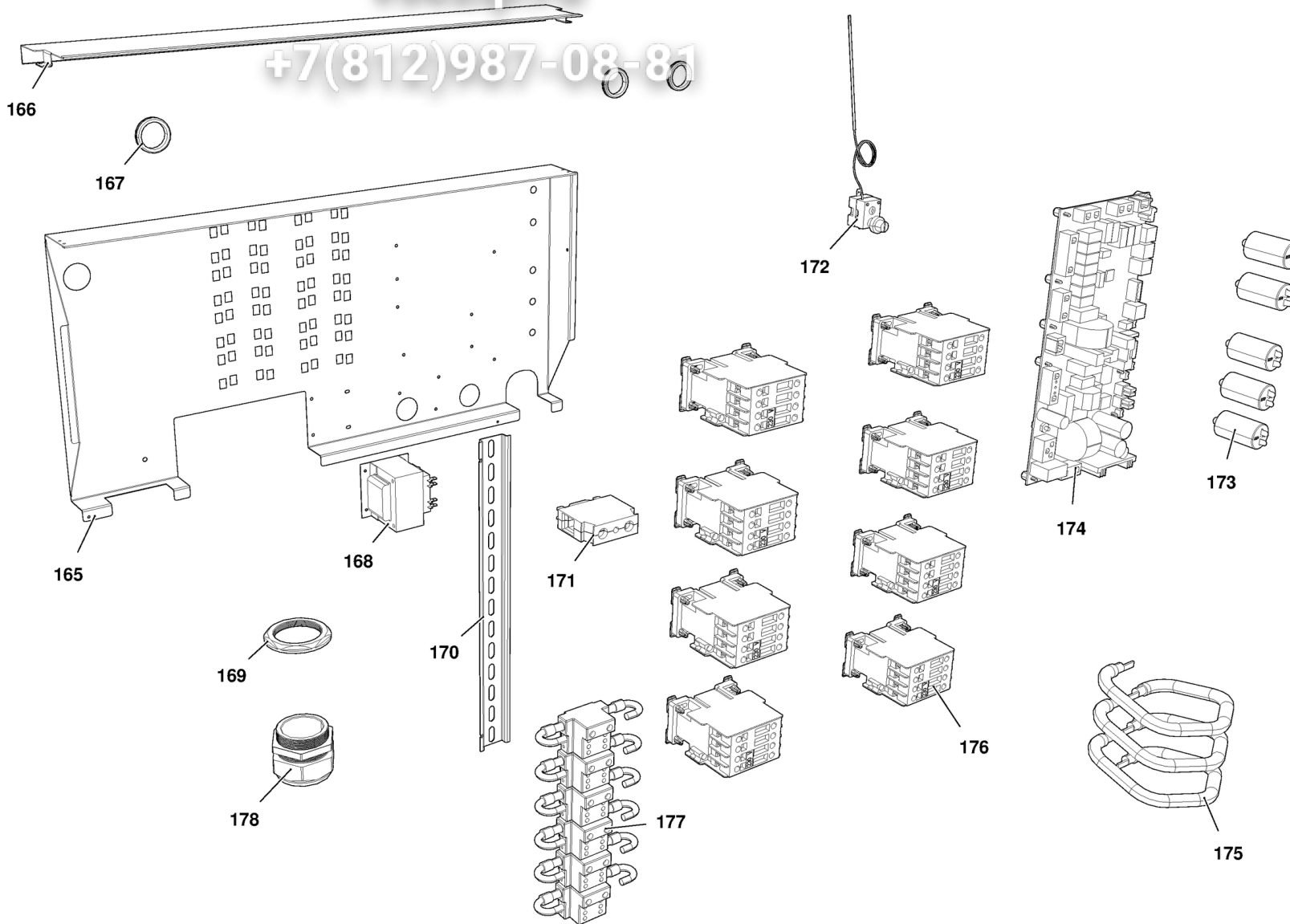


MOD:XVC4005EPL

Зип-Общепит
vsezip.ru



+7(812)987-08-81

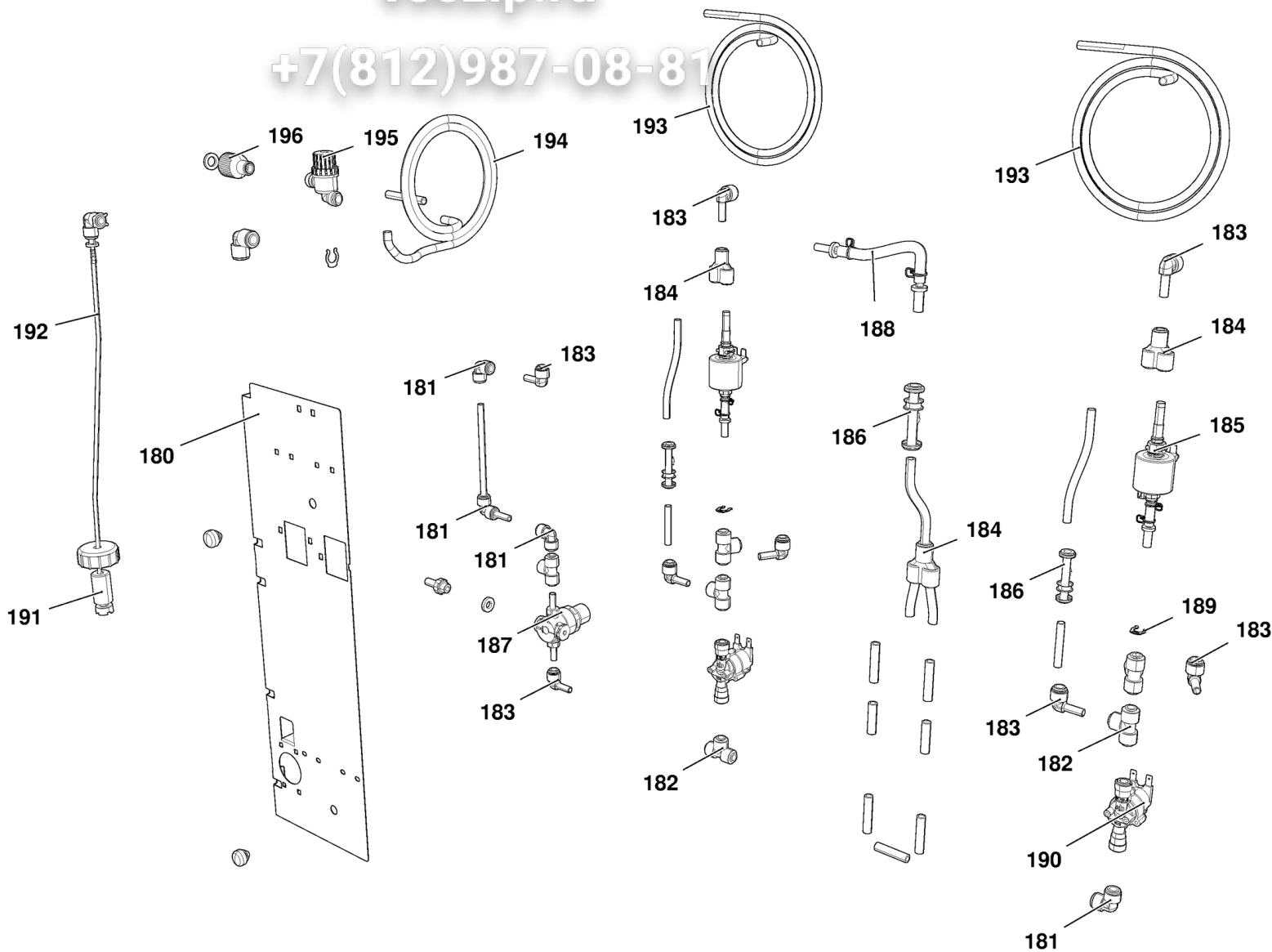


MOD:XVC4005EPL

Зип-Общепит
vsezip.ru



+7(812)987-08-81



MOD:XVC4005EPL

3мп.Общепит
vsezip.ru



IT

Descrizione codici

+7(812)987-08-81

1	VT1161A	VETRO ESTERNO SER. 757X1467X5
2	VT1160A	VETRO INTERNO SER. 730X1395X6
3	TB2337A	COLONNA PORTA DX LEFT 50x50x1.2
4	TB2338A	COLONNA PORTA SX LEFT
5	OH3170A	LIST. INF/SUP XVC1004/XBC1004 40x
6	VM1510A	BOCCOLA SCANALATA PERNO PORTA XBC
7	VM1171B	TAPPO FULCRO INF. PORTA XVC204/30
8	VM1170B	TAPPO FULCRO SUP. PORTA XVC204/30
9	VM1511A	BOCCOLA LISCIA PERNO PORTA CHEFFT
10	VM1175A	TAPPO ESTETICO COLONNINA PORTA
11	VM1620A	SUPPORTO INF BARRA LED
12	LP1004B	BARRA ILLUMINAZIONE LED L1000
13	OH6458A	PROFILO INFERIORE PORTA XVC1005E/
14	GN1348E	GUARNIZIONE PORTA-CARRELLI GN1341
15	OH6445A	LAMIERA CAMMA PORTA BIG S.5E
16	VM1591A	STAFFA SPINGIVETRO INTERNO XVC100
17	VM1630A	TAPPO PREMI VETRO INTERNO
18	VM1180B	IMPUGNATURA MANIGLIA CT BT
19	VM1621A	SUPPORTO SUP BARRA LED
20	VM1490A	COPRI VITI MANIGLIA CHEFTOP BAKER
21	OH4450A	LAMIERA CHIUSURA POST. CRUSCOTTO
22	OH6720A	FIANCHETTO CRUSCOTTO COMANDI
23	CE1290A	MORSETTO FEMMINA ESTRAIBILE CPF 5
24	CE1285A	FERRITE EMI ROUND MOD. 2643801502
25	CE1310A	CAVO COLLEGAMENTO POTENZA CONTROL
26	VM1145A	CORNICE CRUSCOTTO C.T.
27	PE1740C	SCHEDA CONTROLLO PE1705 CT BT
28	VE1030A	CALAMITA D=22,9mm PER MICROPORTA
29	VT1170B	VETRO CRUSCOTTO SER. 757X170X4 XV
40	TB2334A	TUBO INT. UMIDITA' DX Ø16x1
41	TB2333A	TUBO INT. UMIDITA' DX Ø16x1

42	TB2332A	TUBO INT. UMIDITA' DX Ø16x1
43	TB2331A	TUBO INT. UMIDITA' SX Ø16x1
44	TB2330A	TUBO INTERNO UMIDITA' CENT. Ø16x1
45	OG1499A	CARTER ARIA SERIE 4000
46	OG1396A	DISTANZIALE CARTER ARIA
47	OH6345A	PIASTRINA FORATA SUPP SONDA AL CU
48	OH2551A	TAPPO PER TUBO DI SCARICO LIQUIDI
49	VN1030A	VENTOLA D196 H81 39 PALE DADO M8
50	RS1180A	RES. CIRCOLARE 9000W 230V 6 SPIRE
51	RS1215A	RES. PIANA 147W 105V D230 1 SPIRA
52	GN1392C	GN1006A-GUARNIZIONE PORTA XVC1005
53	GN1326A	GUARNIZIONE RESISTENZA 71x19 G6.2
54	PE1710A	SENSORE NUMERO GIRI MOTORE
56	OH4305A	DISCO TENUTA ALBERO MOTORE INOX S
57	GN1140A	GUARNIZIONE PORTAMOTORE STAMP.
58	VN1130A	MOTORE FORNO 330W 230V 50/60HZ
59	OH3586A	LAMIERA PROTEZIONE MOTORE ZINCATO
60	OH4851A	STAFFA CABLAGGIO CT BT -
61	TB1873A	TUBO CONVOGLIATORE FUMI SERIE 100
62	TB1515A	TUBO EST. UMIDITA' + RC1165A0
63	EL1361A	ELETTROVALVOLA TRI-STADIO JG D8-D
64	RC1170A	DADO M14 H=8 CH=22 INOX
65	EL1020A	RACCORDO INTERMEDIO "T" TUBO Ø8
66	VM1955B	CORPO GIRANTE LAVAGGIO
67	VM1465A	COPERCHIO SONDA TEMPERATURA CHEFT
68	GN1285A	GUARNIZIONE SONDA DI TEMPERATURA
69	TR1106A	SONDA TEMPERATURA PT100 L2000
70	VM1610A	CLIP TWIST LOCK DIAM. 7,6-10,2 MM
71	RC1310A	FASCETTA RICHO 140X4 CON CLIP
72	VE1135A	ATTUATORE VENTURI 220V 50/60 Hz S
73	TB1956A	TB1520A-TUBO NERO EPDM L=50

74	RC1378A	FASCETTA STIRINGI TUBO ZINCATA
75	VM1635A	DISCO SUPPORTO MAGNETE
76	VM1820A	NOTTOLINO M6 CROMATO FISS. SUPPOR
77	EL1055A	RIDUZIONE INTERMEDIA D10-D8
78	SN1012A	SONDA CUORE MULTIPUNTO L2730
100	OD2185A	FIANCO SX SERIE 900-1000-3200-400
101	OD2183A	FIANCO DX XVC1005/4005
102	OH6500A	FIANCO POSTERIORE SX/DX SERIE 320
103	OE1320A	FONDO ESTERNO 4005E
104	OH3290A	TRAVERSO DI SOSTEGNO XVC1005E/400
105	OH3750A	LAMIERA INOX RINFORZO FIANCO XVC1
106	OH3280A	LAMIERA REGGI SROCCO XVC1004 XBC1
107	TB2353A	TUBO SCARICO ACQUA CARRELLATI GN2
108	VM2036A	SUPPORTO TUBO SCARICO ACQUA
109	PD1030A	LONGHERONE PIEDINI 2" H147-190 GN
110	OH5047A	ASM GUIDE CARRELLO SX SERIE 4000
111	OH5046A	ASM GUIDE CARRELLO DX SERIE 4000
112	OH3790A	LAMIERA TENUTA CAMINO
113	GN1275A	GUARNIZIONE CAMINO SILICONE NERO
114	VM1165B	STAFFA SUPERIORE PORTA CT BT
115	VM1195A	PIASTRINA COPRIFORI XVC204/304/50
116	VM1810A	TAPPO TENUTA ACQUA DX
117	OH2560A	CONTROSTAFFA ZINCATA PORTA C.T.
118	OH1450A	ANGOLO FACCIATA MUFFOLA INOX XB-X
119	VM1008A	ANGOLARE INT. SUPPORTO GUARNIZION
120	VM1160B	STAFFA INFERIORE PORTA CT BT
121	VE1020A	MICROINTERRUTTORE PORTA MAGNETICO
122	VM1201A	PIASTRINA SUPPORTO MICROPORTA MAG
123	VM1240A	TAPPO NYLON SUPPORTO CONTROSTAFFA
124	OH6731A	PARATIA PROTEGGI STAFFA 1005E AIS
125	VL1005A	VASCA SIFONE

126	VM1505A	PASSAPARETE CON DIAFRAMMA
127	VM1461A	COPERCHIO SX SCROCCO PORTA XBC/XV
128	VM1190A	SCROCCO MANIGLIA DX CT BT
129	VM1192A	COPERCHIO SCROCCO MANIGLIA CT BT
130	VM1455A	COPERCHIO PER SCROCCO FORNO XVC-X
131	VM1750A	MORSETTIERA A PETTINE
132	VM1556A	PROTEZIONE VENTOLA RAFFREDDAMENTO
133	VM1555A	SUPPORTO VENTOLA RAFFREDDAMENTO C
134	VN1163A	VENTOLA RAFFREDDAMENTO 230V
135	OF1473A	SCHIENA SUP 2 VENTOLE SERIE 1000-
136	OF1465B	SCHIENA INFERIORE 1005E AISI-304
137	VL1026A	CURVA PER TUBO DI SCARICO
138	OH7040A	LAMIERA SUPPORTO PRESSACAVO
139	PE1971B	ASM SCHEDA UNOX.LINK MODBUS RJ45+
140	OD2240A	COPERCHIO 2 VENTOLE XVC4005
165	OH7035A	PORTACOMPONENTI EL 5 MOTORI
166	OH7079A	LAMIERA PASSA CAVI
167	GN1045A	GUARN.ANTIVIBR. CAMINO-SCARICO
168	VE1026A	TRASFORMATORE 230-21-12Vac 80VA
169	VE1629A	DADO PRESSACAVO PG 48
170	OH1852A	BARRA OMEGA PORTA 6 TELERUTTORI P
171	MR1011A	MORSETTO DI TERRA UL 125A PER BAR
172	TR1136A	TERMOSTATO SIC. UNIP. 330°C
173	CN1003A	CONDENSATORE CORAZZATO 6,3 uF
174	PE1725E	SCHEDA POTENZA FORNI CT-BT 55.E
175	CE1770A	CAVO UNIPOLARE 16 MMQ L=280 TERMI
176	VE1095A	TELERUTTORE GE 25A 230V 50/60
177	CE1420A	MORSETTIERA UNIPOLARE 8 VIE Z16-8
178	VE1628A	PRESSACAVO PG 48 RIDOTTO
180	OH6441A	SUPPORTO IMPIANO IDRICO DOPPIO VE
181	EL1185B	RACCORDO GOMITO D8F-D8F

182	EL1020A	RACCORDO INTERMEDIO "T" TUBO Ø8
183	EL1195B	RACCORDO GOMITO D8F-D8M
184	EL1115B	RACCORDO Y D8
185	VL1038A	POMPA VIBRAZIONE
186	EL1180A	RACCORDO NON RITORNO Ø8 Ø8 FEMMIN
187	VL1014A	RIDUTTORE DI PRESSIONE CON DISTRI
188	TB2429A	TUBO PVC Ø9X6 L 250 MM
189	EL1345A	CLIP BLOCCA PINZETTA RACCORDI Ø8
190	EL1411A	ELETTROVALVOLA H2O CON CHECK VALV
191	VL1044A	KIT FILTRO E AFFONDANTE
192	TB2242A	TUBO Ø6 LAVAGGIO 2M
193	TB2235A	ROCCETTO DETERGENTE TUBO Ø8
194	TB2237A	TUBO Ø10 ALLACCIAMENTO RETE
195	VL1034A	FILTRO ACQUA Ø10 MESH100
196	RC1365A	RACCORDO JG FEMMINA 3/4"-10

MOD:XVC4005EPL



EN

Codes descriptions

1	VT1161A	SER. EXTERNAL GLASS 757X1467X5
2	VT1160A	SER. INTERNAL GLASS 730X1395X6
3	TB2337A	RIGHT DOOR COLUMN - LEFT VERSION
4	TB2338A	LEFT DOOR COLUMN - LEFT VERSION
5	0H3170A	UPPER/LOWER DOOR LISTEL XVC1004/X
6	VM1510A	XBC/XVC GROOVED DOOR PIN BUSHING
7	VM1171B	DOOR LOWER FULCRUM CAP
8	VM1170B	UPPER DOOR FULCRUM CAP
9	VM1511A	XBC/XVC SLEEK DOOR PIN BUSHING
10	VM1175A	DOOR COLUMN BLANKING CAP
11	VM1620A	LED BAR LOWER SUPPORT
12	LP1004B	LEB LIGHTING BAR L1000
13	0H6458A	XVC1005E/XBC1005 LOWER DOOR PROFIL
14	GN1348E	E SERIES DOOR-TROLLEY SEALING H14
15	0H6445A	E SERIES TROLLEY OVENS CAM PLATE
16	VM1591A	GLASS BRACKET INT. XVC1004
17	VM1630A	INTERNAL GLASS PUSHING CAP
18	VM1180B	ChefTop/BakerTop HANDLE HAFT
19	VM1621A	LED BAR UPPER SUPPORT
20	VM1490A	CHEFTOP/BAKERTOP HANDLE SCREWS CO
21	0H4450A	CLOSING PLATE BACK COVER
22	0H6720A	CONTROL BOARD EXTERNAL LATERAL SI
23	CE1290A	EXTRACTABLE FEMALE TERMINAL CPF 5
24	CE1285A	EMI ROUND FERRITE MOD.2643801502
25	CE1310A	POWER - CONTROL BOARD CONNECTING
26	VM1145A	C.T. BOARD FRAME
27	PE1740C	CT BT CONTROL BOARD PE1705 + BOAR
28	VE1030A	MAGNET FOR DOOR MICROSWITCH D=22,
29	VT1170B	XVC1005 CONTROL PANEL GLASS 757X1
40	TB2334A	INTERNAL RIGHT WATER PIPE Ø16x1
41	TB2333A	INTERNAL RIGHT WATER PIPE Ø16x1

42	TB2332A	INTERNAL RIGHT WATER PIPE Ø16x1
43	TB2331A	INTERNAL LEFT WATER PIPE Ø16x1
44	TB2330A	INTERNAL CENTRAL WATER PIPE Ø16x1
45	OG1499A	400 SERIES FAN GUARD
46	OG1396A	B.T. C.T. FAN GUARD SPACER
47	0H6345A	CORE PROBE SUPPORT PERFORATED PLA
48	0H2551A	XBC/XVC ST.STEEL DRAIN COVER
49	VN1030A	MOTOR FAN D196 H81 39 BLADE NUT M
50	RS1180A	9000W 230V 6 TURNS HEATING ELEMEN
51	RS1215A	147W 105V D230 1 TURN FLAT ELEMEN
52	GN1392C	XVC1005-4005 DOOR GASKET - GN1006
53	GN1326A	ELEMENT SEALING 70X22X0.8
54	PE1710A	MOTOR REVOLUTIONS SENSOR
56	0H4305A	ST. STEEL MOTOR SHAFT SEALING DIS
57	GN1140A	MOLDED MOTOR SUPPORT GASKET
58	VN1130A	330W 230V 50/60HZ MOTOR
59	0H3586A	ZINCATE MOTOR GUARD PLATE XBC-XVC
60	0H4851A	BT CT WIRING SUPPORT BRACKET
61	TB1873A	CONVEYOR FUME TUBE SERIES 1005 Ø3
62	TB1515A	EXTERNAL WATER PIPE + RC1165A0
63	EL1361A	J.G. THREE-STAGE SOLENOID VALVE D
64	RC1170A	STAINLESS STEEL NUT M14 H=8 CH=22
65	EL1020A	INTERMEDIATE "T" CONNECTION Ø8
66	VM1955B	WASHIG SYSTEM ROTOR
67	VM1465A	CHEFTOP TEMPERATURE PROBE COVER
68	GN1285A	NTC TEMPERATURE PROBE SEALING
69	TR1106A	TEMPERATURE PROBE PT100 L=2000
70	VM1610A	CLIP TWIST LOCK DIAM. 7,6-10,2 MM
71	RC1310A	140x4 CLAMP WITH CLIP
72	VE1135A	VENTURI ACTUATOR 220 V 50/60 Hz S
73	TB1956A	TB1520A - EPDM BLACK PIPE L=50

74	RC1378A	HOSE CLAMP
75	VM1635A	MAGNET HOLDING DISC
76	VM1820A	LATERAL SUPPORTS M6 FIXING BOLTS
77	EL1055A	INTERMEDIATE REDUCTION FROM D=10
78	SN1012A	MULTI.Point CORE PROBE L2730
100	OD2185A	900-1000-3200-4000 LEFT SIDE PANE
101	OD2183A	XVC1005/4005 RIGHT SIDE EXTERNAL
102	0H6500A	3200/4000 SERIES LEFT/RIGHT BACK
103	OE1320A	4005E EXTERNAL BOTTOM PANEL
104	0H3290A	XVC1005E/4005E CROSS BAR
105	0H3750A	INOX PLATE REINFORCEMENT SIDE XVC
106	0H3280A	XVC1004 XBC1004 SPRING LATCH HOLD
107	TB2353A	TROLLEY OVENS WATER DRAIN PIPE Ø3
108	VM2036A	DRAIN WATER PIPE SUPPORT
109	PD1030A	2" H147-190 GN2/1 FEET BRACKET
110	0H5047A	4000 SERIES LEFT TROLLEY GUIDE
111	0H5046A	4000 SERIES RIGHT TROLLEY GUIDE
112	0H3790A	CHIMNEY HOLDING PLATE
113	GN1275A	XBC/XVC BLACK CHIMNEY SEALING
114	VM1165B	CT BT DOOR UPPER BRACKET
115	VM1195A	HOLES BLANKING PLATE XVC204/304/5
116	VM1810A	WATER RIGHT CAP SEAL
117	0H2560A	XBC/XVC ZINC PLAT. DOOR COUNTERBR
118	0H1450A	XB-XV-XG ST. STEEL MUFFLE FRONT C
119	VM1008A	GASKET SUPPORT INTERNAL CORNER
120	VM1160B	CT BT DOOR LOWER BRACKET
121	VE1020A	MAGNETIC DOOR MICROSWITCH
122	VM1201A	MAGNETIC SUPPORT PLATE FOR DOOR M
123	VM1240A	NYLON SUPPORT CAP
124	0H6731A	1005E BRACKET GUARD
125	VL1005A	U-TRAP TANK

126	VM1505A	WALL PASSING WITH DIAPHRAGM
127	VM1461A	XBC/XVC LEFT DOOR LATCH CAP
128	VM1190A	CT BT RIGHT DOOR SPRING LATCH
129	VM1192A	CT BT DOOR SPRING LATCH COVER
130	VM1455A	SPRING LATCH COVER XVC-XBC1004
131	VM1750A	TERMINAL BOARD
132	VM1556A	XBC-XVC COOLING FAN GUARD
133	VM1555A	CT BT COOLING DOWN FAN SUPPORT
134	VN1163A	COOLING FAN 230V
135	OF1473A	1000-4000 SERIES EXTERNAL UPPER P
136	OF1465B	XAV4005EP EXTERNAL LOWER BACK PAN
137	VL1026A	BEND FOR DRAIN PIPE
138	0H7040A	STAINLESS STEEL WIRE CLAMP SUPPOR
139	PE1971B	UNOX.LINK MODBUS RJ45+USB
140	OD2240A	4005E SERIES EXTERNAL COVER
165	0H7035A	E SERIES COMPONENTS HOLDER PROFIL
166	0H7079A	STAINLESS STEEL WIRE PASS SUPPORT
167	GN1045A	ANTIVIBR.SEAL FOR EXHAUST CHIMNEY
168	VE1026A	TRANSFORMER 230-21-12Vac 80VA
169	VE1629A	WIRE CLAMP NUT PG 48
170	0H1852A	OMEGA BAR 6 CONTACTORS HOLDER PRO
171	MR1011A	UL 125A GROUND TERMINAL
172	TR1136A	SAFETY THERMOSTAT UNIP. 330°C
173	CN1003A	CONDENSER6,3 UF
174	PE1725E	E SERIES CHEFTOP-BAKERTOP POWER C
175	CE1770A	UNIPOLAR CABLE 16 MMQ L=280
176	VE1095A	REMOTE CONTROL SWITCH GE 25A 230V
177	CE1420A	8 WAYS UNIPOLAR TERMINAL BOARD Z1
178	VE1628A	WIRE CLAMP PG48 REDUCED
180	0H6441A	DOUBLE VERTICAL WATER SUPPLY SUPP
181	EL1185B	D8F-D8F ELBOW FITTING

182	EL1020A	INTERMEDIATE "T" CONNECTION Ø8
183	EL1195B	D8F-D8M ELBOW CONNECTION
184	EL1115B	Y D8 CONNECTION
185	VL1038A	VIBRATION PUMP
186	EL1180A	Ø8 Ø8 FEMALE NON-RETURN CONNECTIO
187	VL1014A	PRESSURE REDUCER WITH DISTRIBUTOR
188	TB2429A	PVC PIPE Ø9X6 L 250 MM
189	EL1345A	CLIP TO FIX Ø08 mm CONNECTION JOI
190	EL1411A	SOLENOID VALVE WITH CHECK VALVE
191	VL1044A	HOLD DOWN WEIGHT WITH FILTER
192	TB2242A	WASHING SYSTEM PIPE Ø6 2M
193	TB2235A	Ø8 DETERGENT PIPE COIL
194	TB2237A	Ø10 WATER MAIN CONNECTION PIPE
195	VL1034A	Ø10 MESH100 WATER FILTER
196	RC1365A	3/4"-10 JG FEMALE CONNECTION