

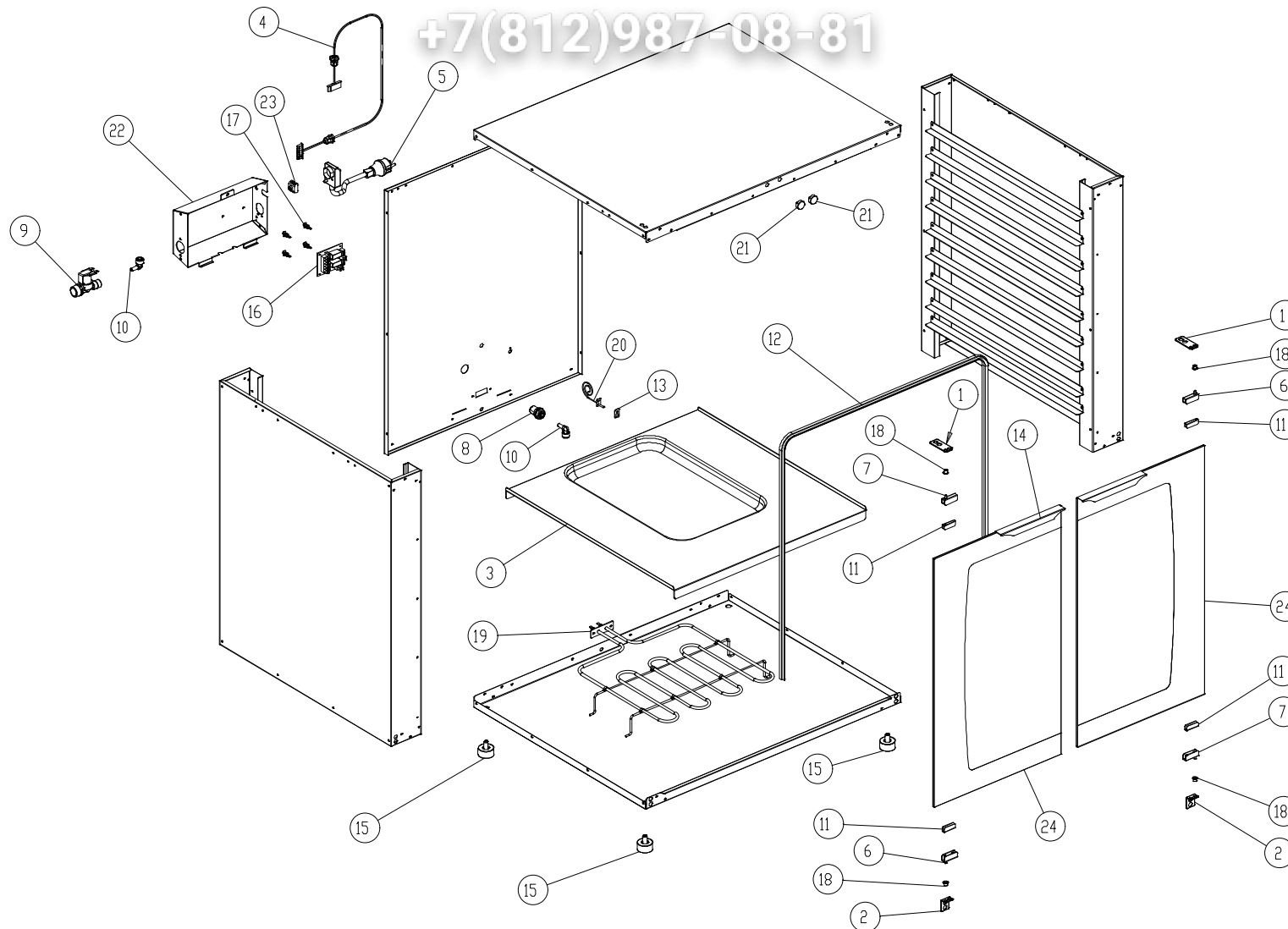
MOD: XL195

Зип Общепит EXPLODED VIEW DISEGNO ESPLOSO



vsezip.ru

+7(812)987-08-81



LEGEND - LEGENDA

1	OH2030A0
2	OH2031A0
3	OH2045A0
4	CEI015B0
5	CEI16
6	CR045
7	CR046
8	EL1125A0
9	EL1140A0
10	EL1195A0
11	GN006A
12	GN008A
13	GN1120A0
14	MGI035A0
15	PD061A
16	PE1065A1
17	PE1320A0
18	RC492A
19	RSI095A0
20	TR1015A0
21	VE1120B0
22	VE1131A0
23	VM250
24	VTI085A0

MOD: XL195

Зип Общепит

EXPLODED VIEW
DISEGNO ESPLOSO



DESCRIZIONE CODICI

vsezip.ru

+7(812)987-08-81

1	0H2030A0	STAFFA INOX SUPERIORE PORTA SERIE XL
2	0H2031A0	STAFFA INOX INFERIORE PORTA SERIE XL
3	0H2045A0	VASCA UMIDITA INOX XL195
4	CE1015B0	CAVO COLLEG. FORNO LIEVITATORE UL CSA
5	CE116	CAVO 3x1,5 H07RN-F MTT,5+KI/3+SCHUK
6	CR045	CERN.DX INOX XV-XL-XB
7	CR046	CERN.SX INOX XV-XL-XB
8	EL1125A0	PASSAPARETE Ø8
9	EL1140A0	ELETTROVALVOLA SINGOLA ATT. J.GUEST INCORPORATO
10	EL1195A0	RACCORDO A GOMITO CON J.GUEST CODOLO D8 - D8
11	GN006A	GUARN.PORTA FREDDA A BAND. PTFE CAR/CARB Sp=1mm
12	GN008A	GUARNIZIONE PORTA LIEVITATORE SILICONE NERA 14 GANCI
13	GN1120A0	GUARNIZIONE SONDA DI TEMPERATURA NTC
14	MG1035A0	MANIGLIA INOX SERIE XL
15	PD061A	PIEDINO M10 D=35 H=20 NERO OPACO
16	PE1065A1	SCHEDA CONTROLLO LIEVITATORE
17	PE1320A0	DISTANZIALE NYLON INCASTRO MASCHIO-INCASTRO MASCHIO
18	RC492A	BOCCOLA PER CR045-46 12x8,5 Di=5,3 AISI304
19	RS1095A0	RESISTENZA PIANA 1200 W 230 V
20	TR1015A0	SONDA DI TEMP. NTC UL
21	VE1120B0	MAGNETE NEODIMIO D22 10N FILETTATURA M6
22	VE1131A0	SCATOLA INOX PORTA COMPONENTI LIEVITATORI
23	VM250	MORSETT.A PETTINE
24	VT1085A0	VETRO ESTERNO SER. GIALLO 399x692x5 CHIARO TFL XL195

DESCRIPTION

1	0H2030A0	
2	0H2031A0	
3	0H2045A0	
4	CE1015B0	OVEN-PROFER CONNECTION CABLE UL CSA
5	CE116	EL.CABLE3x1.5+SCHUKO+TERM.
6	CR045	RIGHT STAINLESS STEEL HINGE XV-XL-XB
7	CR046	LEFT STAINLESS STEEL HINGE XV-XL-XB
8	EL1125A0	WALL PASSING SEAL Ø8
9	EL1140A0	SINGLE WATER ELECTROVALVE W/ J.GUEST CONNECTION INCLUD
10	EL1195A0	ELBOW CONNECTION WITH J.GUEST TERMINAL D8 - D8
11	GN006A	COLD DOOR SEAL PTFE CAR/CARB Thickness=1mm
12	GN008A	
13	GN1120A0	TEMPERATURE PROBE NTC SEAL
14	MG1035A0	
15	PD061A	SMALL FOOT M10 D=35 H=20 BLACK OPAQUE
16	PE1065A1	PROFER CONTROL CARD
17	PE1320A0	NYLON SPACER MALE-MALE JOINT H9.5
18	RC492A	BUSHING FOR CR045-46 12x8,5 Di=5,3 AISI304
19	RS1095A0	
20	TR1015A0	TEMPERATURE PROBE NTC UL
21	VE1120B0	NEODYMIUM MAGNET D22 10N T-THREAD M6
22	VE1131A0	
23	VM250	"COMB" TERMINAL BOARD BM 5251 1 B3-
24	VT1085A0	EXTERNAL SERIGR.YELLOW DOOR GLASS 399x692x5 LIGHT TFL XL