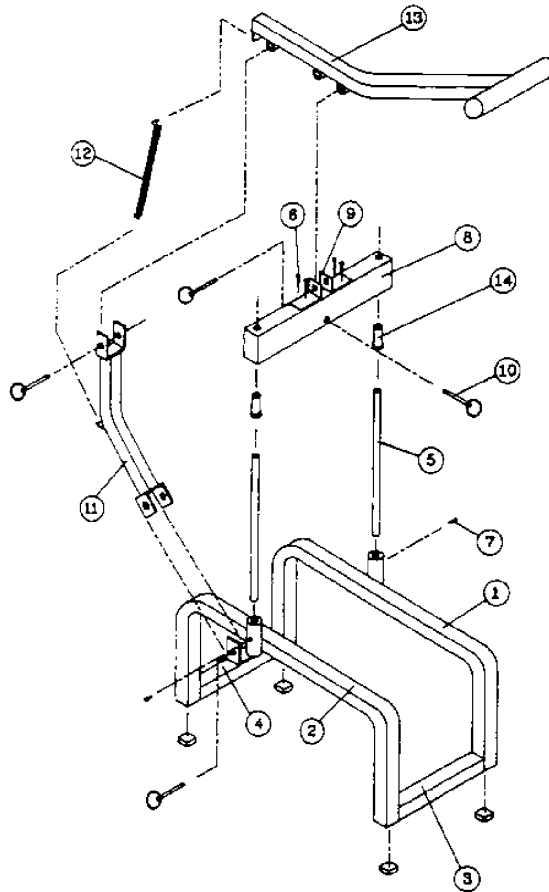


ITEM NO.	PART NO.	DESCRIPTION	QTY. REQUIRED
	86014	"Multi-Prep" Frame Assembly consisting of:	
1	86012	R/H Frame sub-assembly	1
2	86043	L/H Frame sub-assembly	1
3	86-0115	Front Cross Bar	1
4	86017	Rear Cross Bar	1
5	86-0118	Guide Rods	2
7	86-5023	Screws	2
8	86-0119-C	Pusher Bar	1
10	86-5002	Clevis Pin	4
11	86020	Handle Link	1
12	86-5004	Handle Return Spring	1
13	86018	Handle	1
14	86-5204	Bushings	2



Зип Общепит

Model All

Table SPMULTIPREP Page 1 Main view

Pos.	Spare Part	Alias Code	Repl. by	S	Info	Kit	Techn. Bulletin	Description	Notes
0001	000000	86012							
0002	000000	86043							
0003	000000	860115							
0004	000000	86017							
0005	000000	860118							
0006	000000								
0007	0TTR46	865023	0TTIAD		D			END LIMIT SWITCH -SHORT ROLLER CONVEYORS	
0008	000000	860119C							
0009	000000								
0010	0E3551	865002		S	D			TOKEN	
0011	000000	86020							
0012	000000	865004							
0013	000000	86018							
0014	000000	865804							