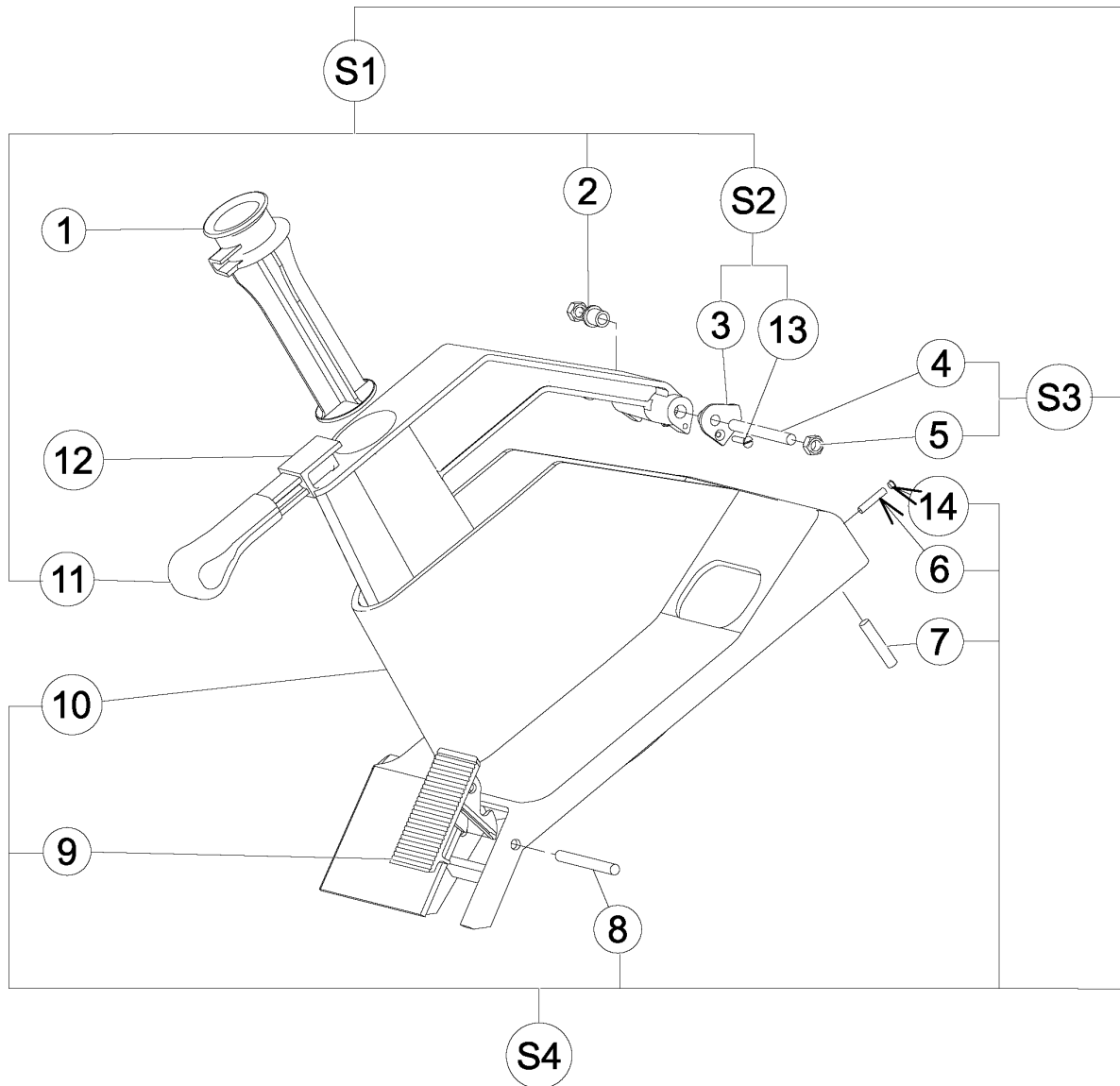


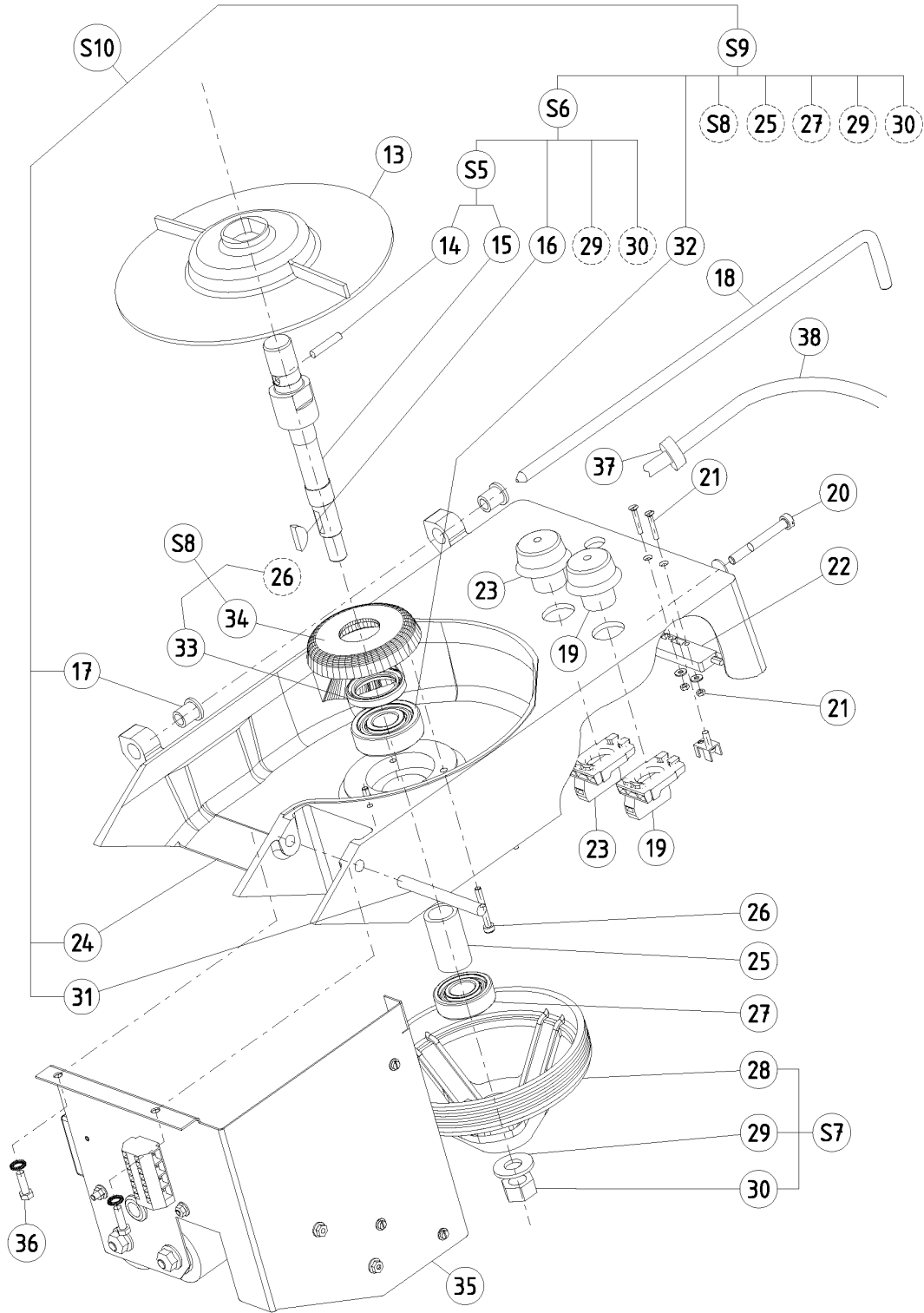
# Зип Общепит

Vue éclatée Trémie / Hopper exploded view / Despiece - Tolva  
vsezip.ru

+7(812)987-08-81



Pos.	Spare Part	Alias Code	Repl. by	S	Info	Kit	Techn. Bulletin	Description	Notes
0001	0KI992			S				FEED STICK	
0002	0KJ599			S	A			BUSHING; 5 PCS	
0003	0D3620							CAM TRS	
0004	000000								
0005	0KL161							CAP NUT ; 10 PCS /M8	
0006	0D0522					+		SCREW; 10 PCS	
0007	0KI586			S	A	+		MAGNET	
0008	033596			S	A			PIN	
0009	0KI095			S	A			LOCKING LEVER	
0010	0KI788							COVER	
0011	033638			S	A			HANDLE	
0012	000000								See S1
0013	0KQ480							SCREW; 10 PCS	
0014	0D3482							PLUG T10 (SET X10)	
00S1	0KI993			S	A			ALUMINUM LEVER + CAM; TRS	
00S2	0U0446			S	A			PLASTIC CAM	
00S3	0KQ540			S	A			AXIS	
00S4	0KL205			S	A			HOPPER	

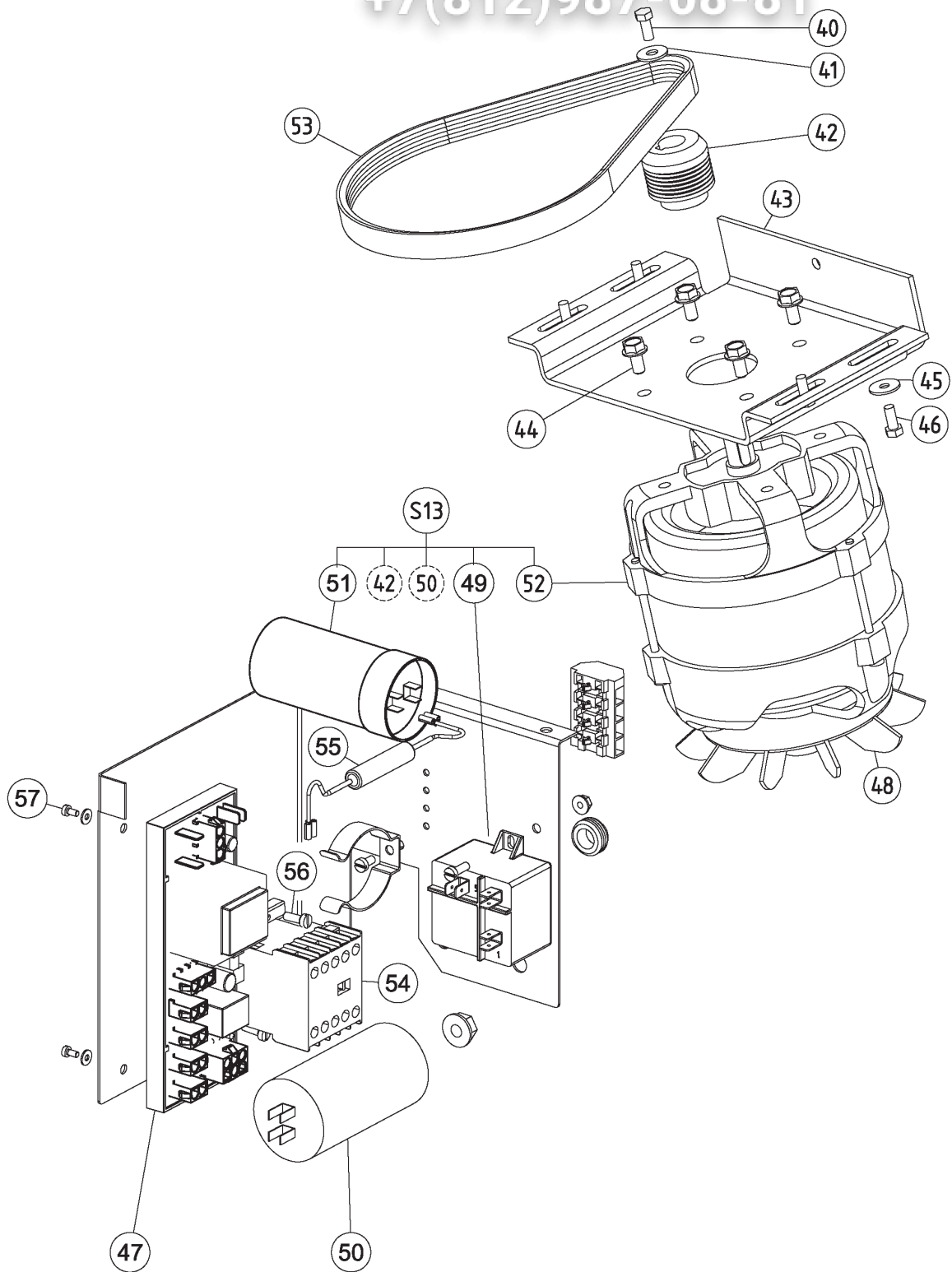


Pos.	Spare Part	Alias Code	Repl. by	S	Info	Kit	Techn. Bulletin	Description	Notes
Model	All								
Table	SPTR24								
Page	4								
Body exploded view									
0013	0D6188				D			EJECTEUR SPECIAL DEAN TRS	
0014	0KJ001		0D7860	S	A			SCREW; 5X24; INOX; 10 PCS	
0015	000000								
0016	0KQ556							KEY; 10 PCS	
0017	0KJ599			S	A			BUSHING; 5 PCS	
0018	0D3588			S				HOPPER LID PIVOT; TRS	
0019	0KQ665				A			STOP PUSH BUTTON	
0020	0D0511							SCREW; 10 PCS	
0021	0D3416							SCREW F M3X20 STLESS STL SET X10 TRS	
0021	0D7383							NUT; SET 10PCS; M3	
0022	0D2946			S				COMPLETE PROXIMITY DETECTOR CRUDI	
0023	0KQ666				A			ON PUSH BUTTON	
0024	000000								See S10
0025	0KI789			S				SPACER	
0026	0U0655							SCREWCAP LEAD; 3 PCS	
0027	0KJ007			S	A			BALL BEARING; 6203 2 RS	
0028	0D2093							POULIE RECEPTRICE TRS	
0029	0D0545							SCREW; 10 PCS	
0030	0D0588							NUT; 10 PCS	
0031	033596			S	A			PIN	
0032	0KI590			S				BALL BEARING; 6303 2RS1	
0033	0KI998			S	A			RING; 28X40X7MM; FOR TRS; 5 PCS	
0034	000000								See S8
0035	0D7432				D			COMPONENT SUPPORT	
0036	0D0579							NUT; 10 PCS	
0036	0D3415				D			SCREW SHC 5X30 STLESS STL SET X10	
0036	0KQ491							WASHER; 10 PCS	
0037	0D3511							GROMMET DA8X16X6 MVS (SET X5)	
0038	0D7378							USA CABLE	
00S5	0D0117			S	A			TRS SHAFT + PIN	
00S6	0KJ000			S				DRIVING SHAFT; TRS	
00S7	033105			S				PULLEY	
00S8	0KI999			S	A			FLANGE + SCREW; TRS	
00S9	0KQ361			S	A			SHAFT ASSEMBLY; TRS	
0S10	0U0356							BODY	

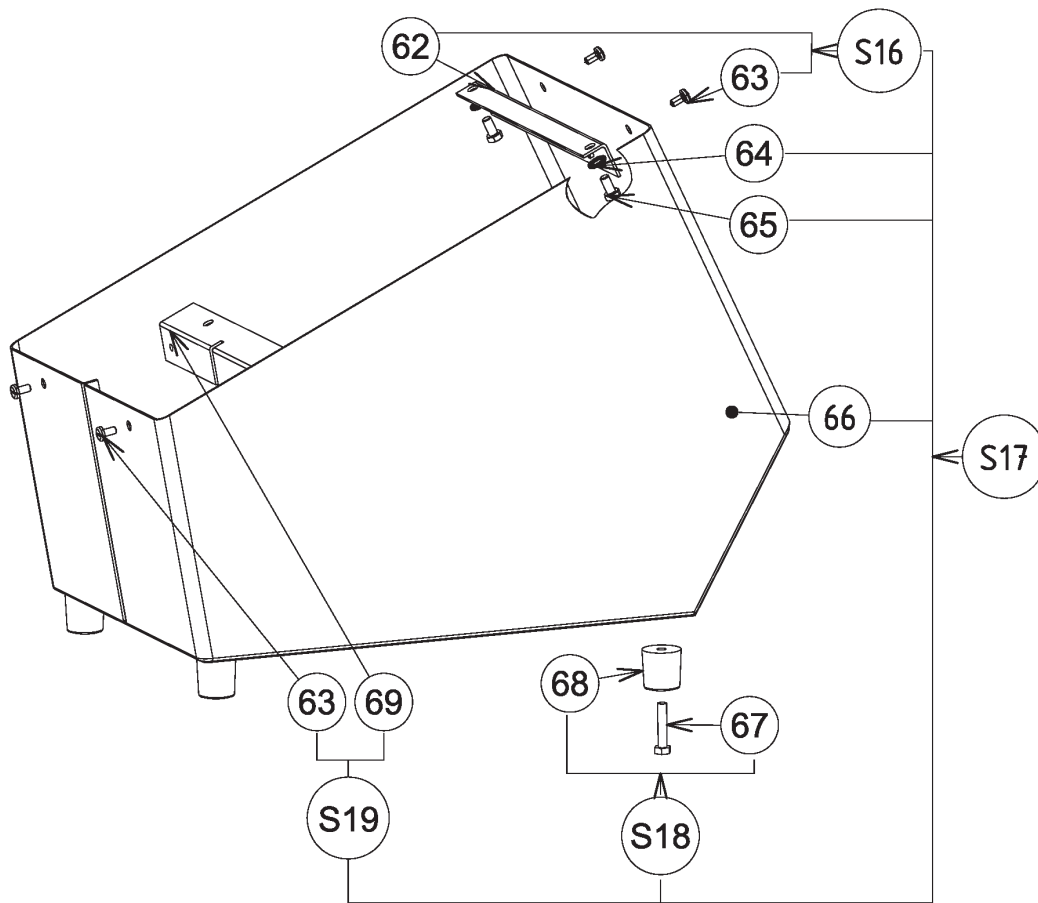
Vue éclatée Moteur / Motor exploded view / Despiece -  
Motor

vsezip.ru

+7(812)987-08-81



Pos.	Spare Part	Alias Code	Repl. by	S	Info	Kit	Techn. Bulletin	Description	Notes
0040	000000								
0041	000000								
0042	0D3191							POULIE MOTRICE 750W TRS	
0043	0KQ365							MOTOR BLOCK	
0044	0D6786					+		SCREW; M6X12; SET 10PCS	
0045	0D0625							WASHER; 10 PCS	
0046	0D0506				D			SCREW; 10 PCS	
0047	0D7384							POWER BOARD; 115V 60HZ	
0048	0D1442		0D3570		D			TRS/TR21NM/T10 FAN 1PC347	
0049	0D7379							RELAY; HLR3800 7B3L - 115V	
0050	0D7389							CAPACITOR; 60MF 250V	
0051	0H1034			S	A			CAPACITOR; 200MF	
0052	0D7377				A			ASSEMBLY MOTOR; 115V 60HZ 750W	
0053	033106			S	A			BELT; POLY V 559 J6	
0054	0D7399		0D8011					CONTACTOR; LP1K12015JD	
0055	0D7401			S				RESISTOR; 1 OHM 11W	
0056	0D0611				D			K55 SCREW TC 4X12	
0056	0D3065							NUT HU M4 WRAPPED (SET X10)	
0057	033984				D			SCREW; 10 PCS	
0057	033986					+		SCREW; 10 PCS	
0S13	0D7381				A			ASSEMBLY MOTOR; 115V 60HZ	



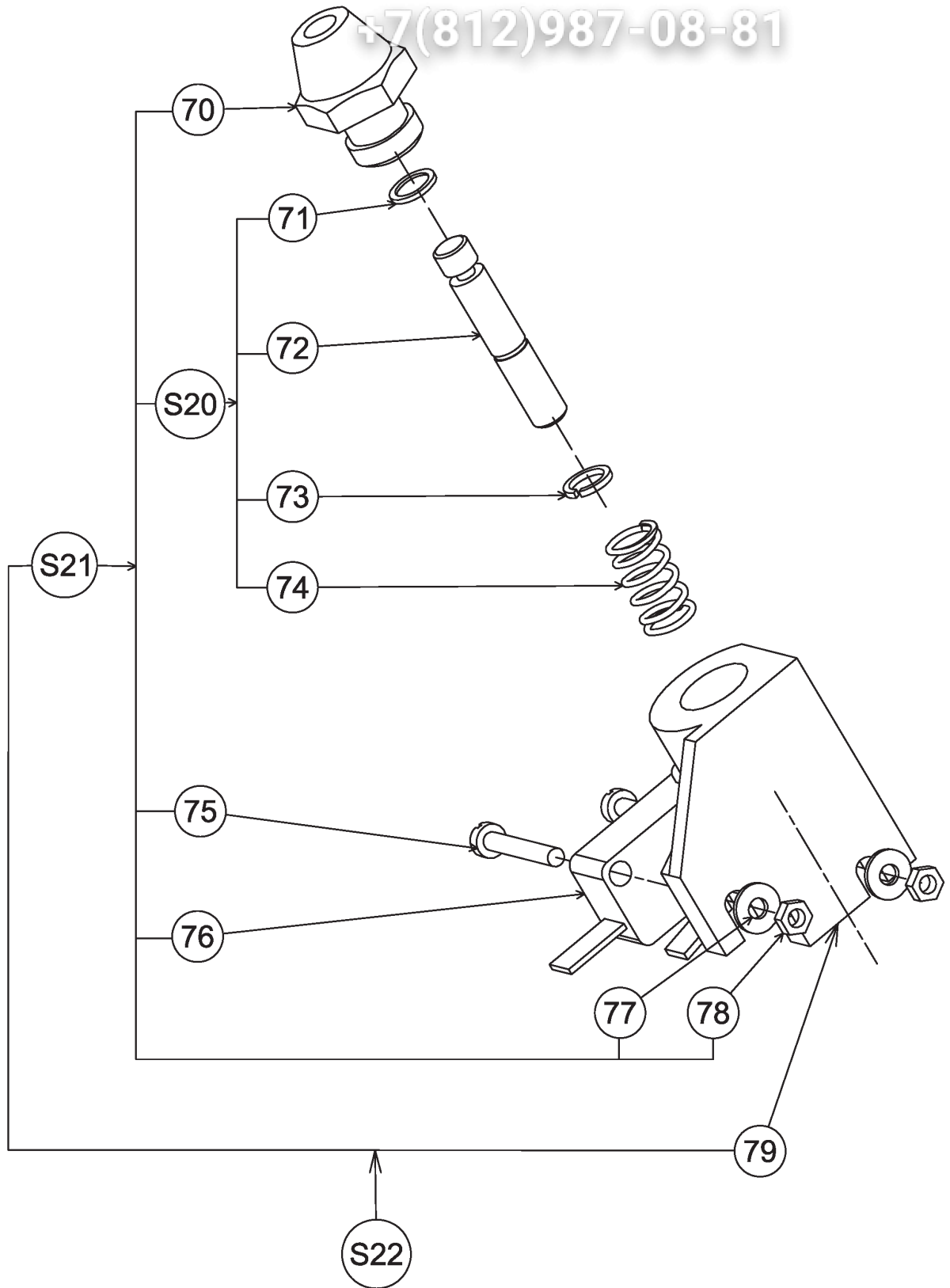
Pos.	Spare Part	Alias Code	Repl. by	S	Info	Kit	Techn. Bulletin	Description	Notes
0062	000000								See S16
0063	0KQ527							SCREW; 10 PCS	
0064	0KQ491							WASHER; 10 PCS	
0065	0D0506				D			SCREW; 10 PCS	
0066	000000								SeeS17
0067	0D3216							SCREW HM5X25 STLESS STL SET X10	
0068	000000								See S18
0069	000000								See S19
0S16	0D0813							REAR SQUARE	
0S17	0U0488							CASING (S/STEEL)	
0S18	0D3417							FOOT ASSY TRS SET X4	
0S19	0D3418							FRONT BRACKET CASING STLESS STL TRS	



# Зип Общепит

Vue éclatée - Sécurité levier / Lever safety device -  
Exploded view / Despiece - Seguridad palanca

+7(812)987-08-81



Pos.	Spare Part	Alias Code	Repl. by	S	Info	Kit	Techn. Bulletin	Description	Notes
0070	0KQ362							BUSH	
0071	0KQ521				A			SEAL; 10 PCS	
0072	000000								See S20
0073	0KQ485				D			CIRCLIP; 10 PCS	
0074	0D3621							RESSORT TRS	
0075	0D0608							SCREW; 10 PCS	
0076	0KQ309				D			SAFETY SWITCH	
0077	033986					+		SCREW; 10 PCS	
0078	033987					+		SCREW; 10 PCS	
0079	000000								
0S20	0KQ220			S				PLUNGER	
0S21	0D3414							LEVER SAFETY BOX+ MICROSWITCH ASSY TRS	
0S22	0KI996							SAFETY SWITCH	