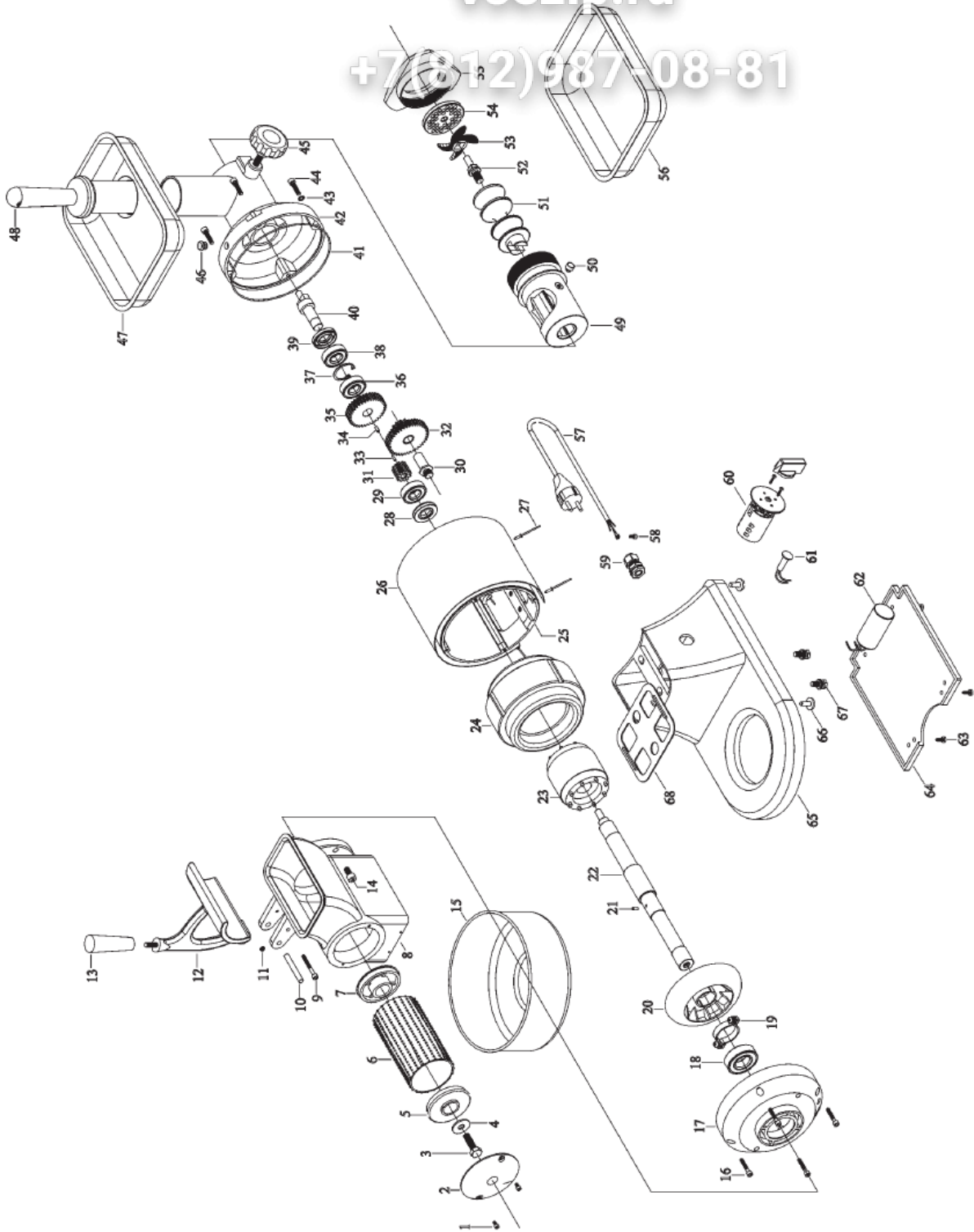


Зип Общепит

vsezip.ru

+7(812)987-08-81



Зип Общепит

	REF	ART	COD
Pos.	02A	DISCO CHIUSURA ALL. TCG12-22E	MF2360
Pos.	02B	TAPPO CHIUSURA IN PLASTICA TCG12-22	MF0148
Pos.	03	SCHRAUBE TROMMEL 10X35 TCG12-22 E	MF2153
Pos.	04	RONDELLA 10X30X2 TCG12-22E	MF2154
Pos.	05	FLANGE, DRUM GF	MF2155
Pos.	06	REIBWALZE AUS STAHL	MF2158
Pos.	06	GRATING CYLINDER GF	MF2156
Pos.	07	FLANGE, DRUM GF	MF2155
Pos.	08	MOUTH GF	MF2167
Pos.	09	VITE 5X45 TCG12-22E	MF2159
Pos.	10	PERNO 8X57 TCG12-22E	MF2160
Pos.	11	GRANO 6X6 TCG12-22E	MF2019
Pos.	12	LEVER GF WITH INSERT	MF2162
Pos.	13	IMPUGNATURA LEVA GF TCG12-22E	MF2359
Pos.	15	CHEESE TRAY GF	MF2169
Pos.	17	CALOTTA C/MOZZO TCG12-22E	MF2170
Pos.	18	LAGER GF	MF2171
Pos.	19	COLLARE FISS.VENTOLA TCG12-22E	MF2263
Pos.	20	VENTOLA A TURBINA TCG12-22E	MF2262
Pos.	21	SPINETTA INOX DA 4X10 MM	MF2172
Pos.	22	MOTOR SHAFT TCG12-22 E	MF2179
Pos.	22+23	ROTOR + SHAFT 1PH TCG12	MF0TCG1202
Pos.	22+23	ROTOR + SHAFT 3PH TCG12	MF0TCG1203
Pos.	23	1-PH ROTOR_M.MINCER-GRATER TC/TCG12	MF2095A
Pos.	23	3-PH ROTOR_M.MINCER-GRATER TC-TCG12	MF2095B
Pos.	24	230V/50/1-PH STATOR FOR TC/TCG 12E	MF2096
Pos.	24	STATOR 400V/50/3-PH FOR TC/TCG12E	MF2097
Pos.	25	VENT.FRAME_M.MINCER/GRATER TC/TCG	MF2148
Pos.	26	S/S BELT FOR M.MINCER/GRATER TC/TCG	MF2100
Pos.	28	OELSCHUTZ 40X25X7 TC/TCG12-22E	MF2101
Pos.	29	KUGELLAGER	19320203
Pos.	30	GEAR HOLDING SHAFT FOR TC/TCG	MF2102
Pos.	31	GEAR FOR TC/TCG12-22E	MF2104
Pos.	32	DOUBLE GEAR FOR TC/TCG12-22E	MF2106
Pos.	33	PIN 3X15	MF2606
Pos.	34	PIN 4X12	MF2607
Pos.	35	LARGER GEAR TC/TCG12-22E	MF2107
Pos.	36	LAGER	19320204
Pos.	37	SEEGER 40 FOR TC12-22E	MF2108
Pos.	38	KUGELLAGER	19320203
Pos.	39	OELSCHUTZ 40X25X7 TC/TCG12-22E	MF2101
Pos.	40	WORM SHAFT FOR TC/TCG 12-22 E	MF2109
Pos.	41	RING OR 164,5X2_TC/TCG 12-22E	MF2351
Pos.	42	PIPE UNION FOR M.MINCER TC/TCG12 E	MF2110
Pos.	43	WASHER FOR MEAT MINCER/GRATER	MF2352
Pos.	45	FIXING KNOB _ TC/TCG 12-22 E	MF2115
Pos.	46	OIL PLUG FOR M.MINCER/GRATER TC/TCG	MF2112
Pos.	47	MEAT TRAY FOR TC12E FROM 2004	MF2113
Pos.	48	PESTLE_M.MINCER/GRATER TC/TCG 12 E	MF2114

Зип Общепит

Pos.	49	CAST IRON OPENING_M.MINCER TC/TCG12	MF2117
Pos.	49	MUNDSTÜCK TC INOX TC/TCG12E	MF2118
Pos.	49	ALUMINIUM OPENING FOR M.MINC.TC/TCG	MF2119
Pos.	50	INSERT FOR MINCER TC/TCG 12E	MF2116
Pos.	51	ALUM.FEEDING WORM FOR TC/TCG 12E	MF2122
Pos.	51	CAST IRON FEEDING WORM _ TC/TCG12E	MF2123
Pos.	51	SCHNECKE INOX TC/TCG12E	MF2124
Pos.	52	SCHNECKESTIFT FUER TC-TCG 12E	MF2127
Pos.	55	ALUM.FIXING SCREW FOR TC/TCG 12E	MF2132
Pos.	55	VOLANTINO INOX TC/TCG12E	MF2133
Pos.	56	MEAT BOX_M.MINCER/GRATER TC/TCG 12E	MF2047
Pos.	57	KABEL MIT STECKER 1-PH SCHUKO	19410502
Pos.	57	THREE-PHASE ITALIA UNI POWER CORD	19410506
Pos.	59	STRAIN RELIEF FOR SLICER	19410804
Pos.	60	BIPOLAR SCHALTRE GF	MF2366
Pos.	60	SWITCH 3PHASE GF	MF2367
Pos.	61	ON/OFF LICHT TC/TCG	MF2192
Pos.	62	KONDENSATOR 16MF TC/TCG12E	MF2144
Pos.	64	FONDINO ABS GF-TC/TCG12E	MF2142
Pos.	65	BASE - TCG12-22E	MF2176
Pos.	66	RUBBER FOOT FOR TC/TCG 12-22 E	MF2031
Pos.	68	GUARNIZIONE BASE GF	MF2397