

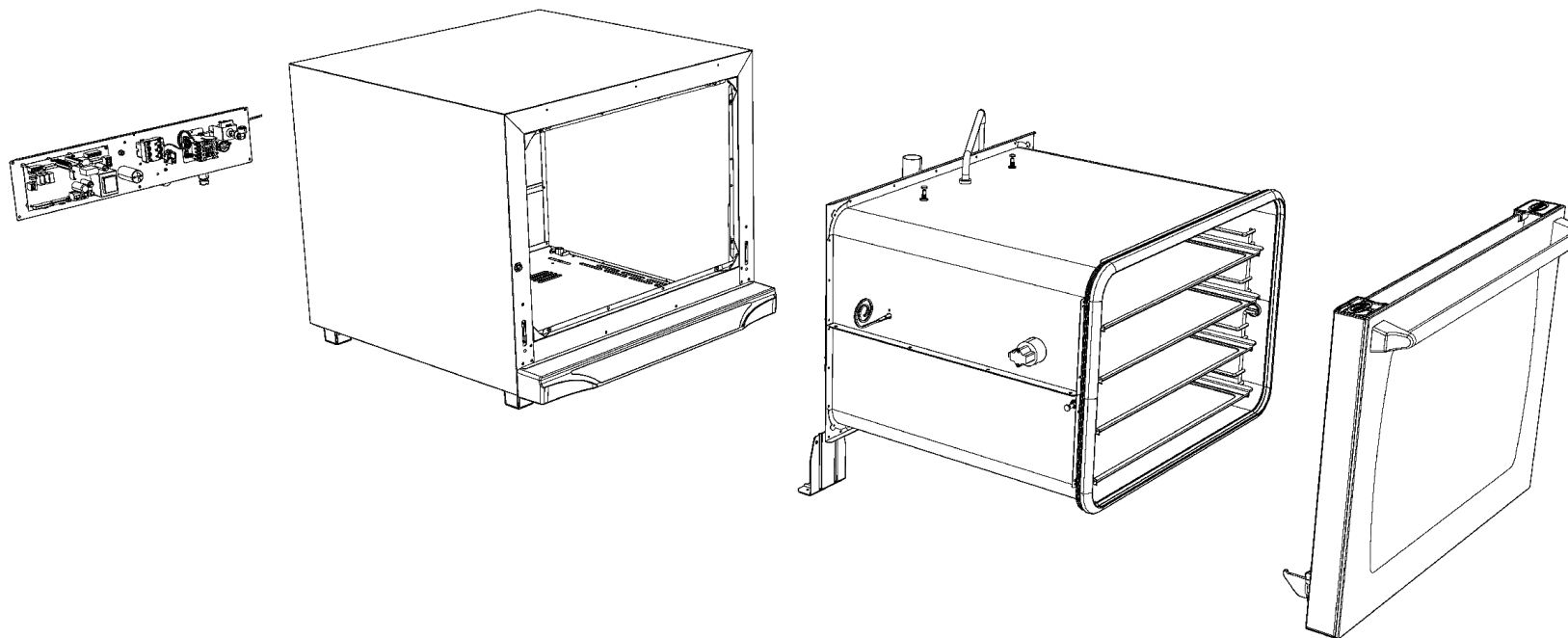
MOD:XFT135

Зип Общепит

vsezip.ru



+7(812)987-08-81

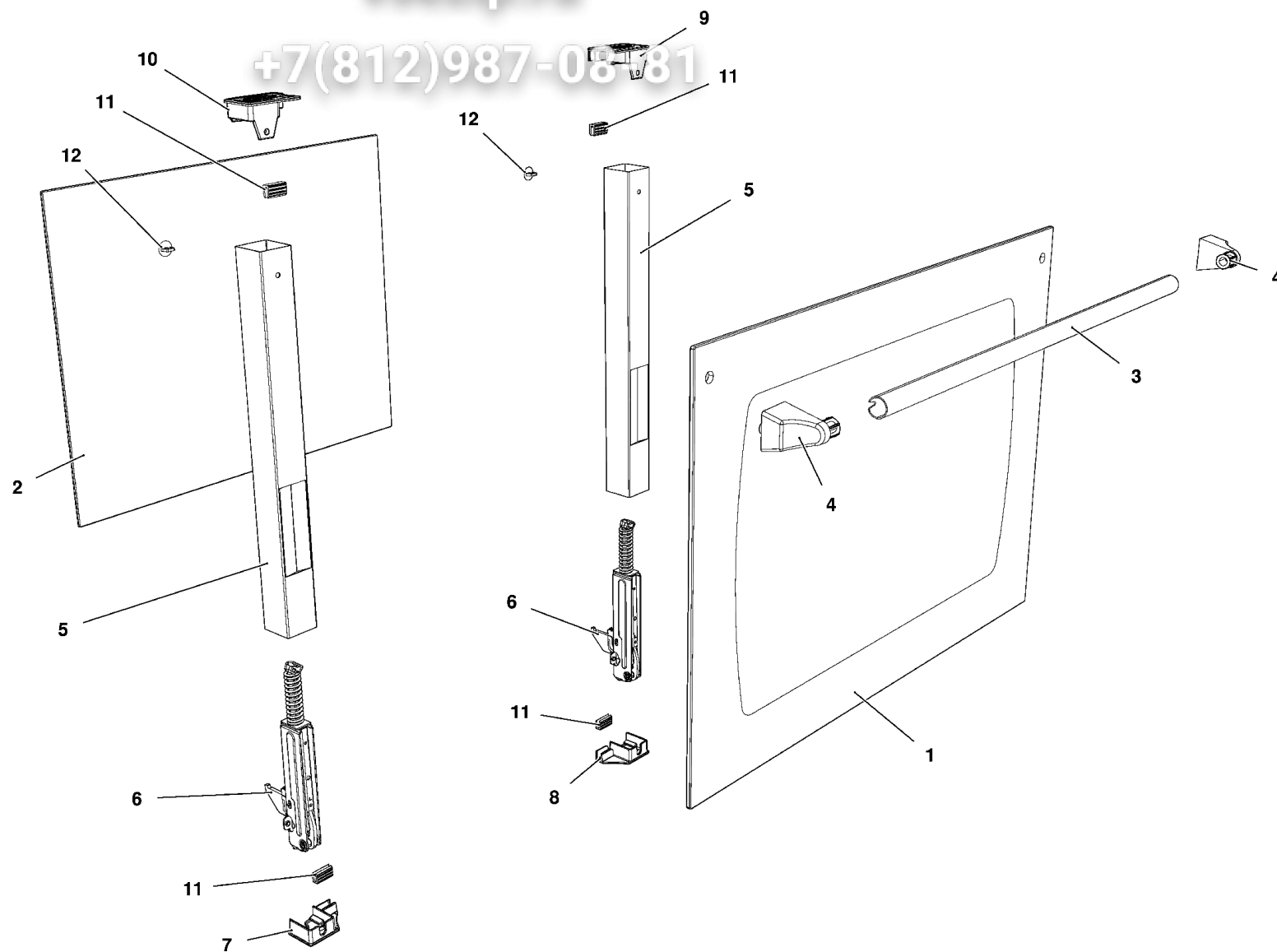


MOD:XFT135

Зип Общепит

vsezip.ru

+7(812)987-08781

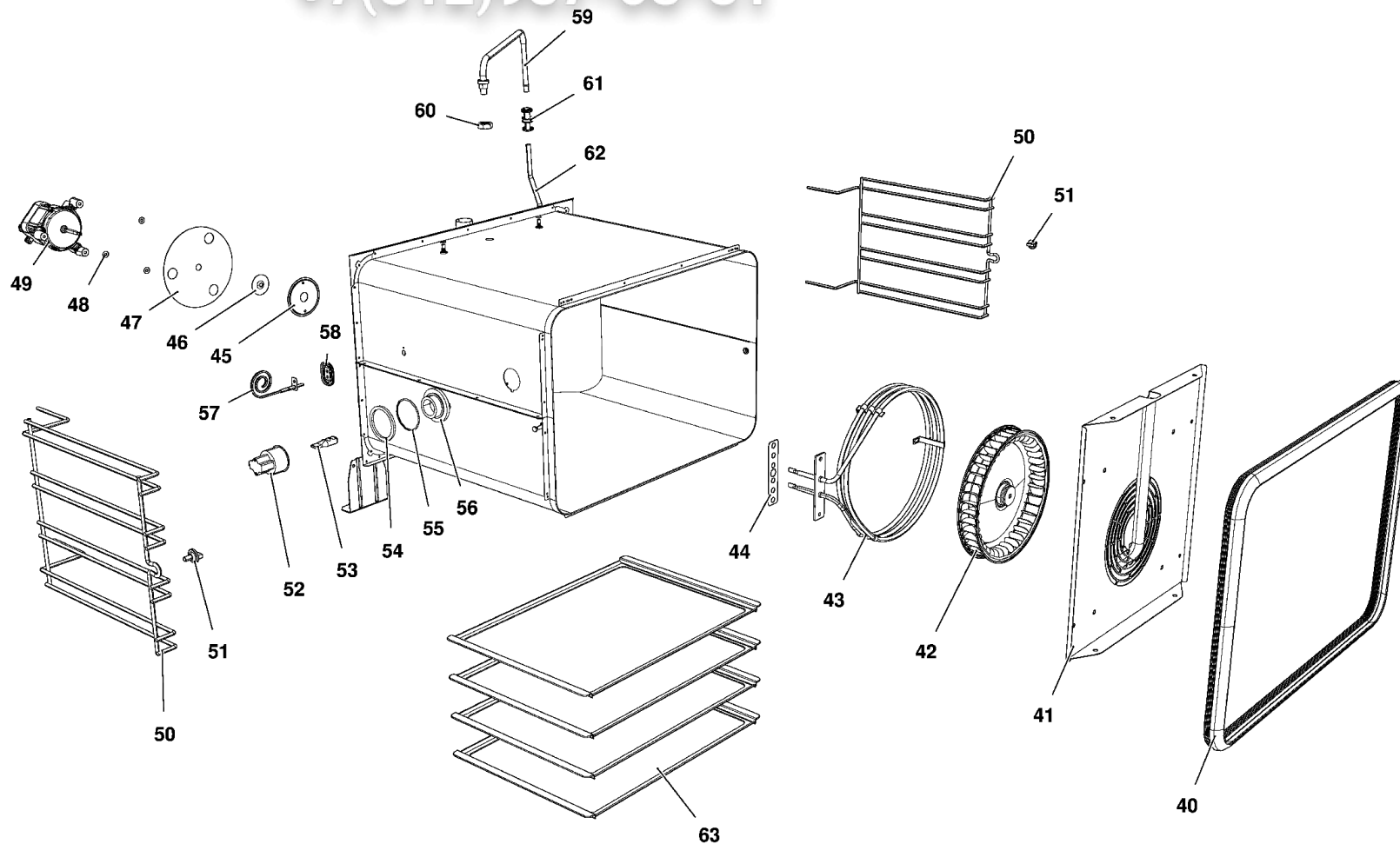


MOD:XFT135

Зип Ощепит
vsezip.ru



+7(812)987-08-81

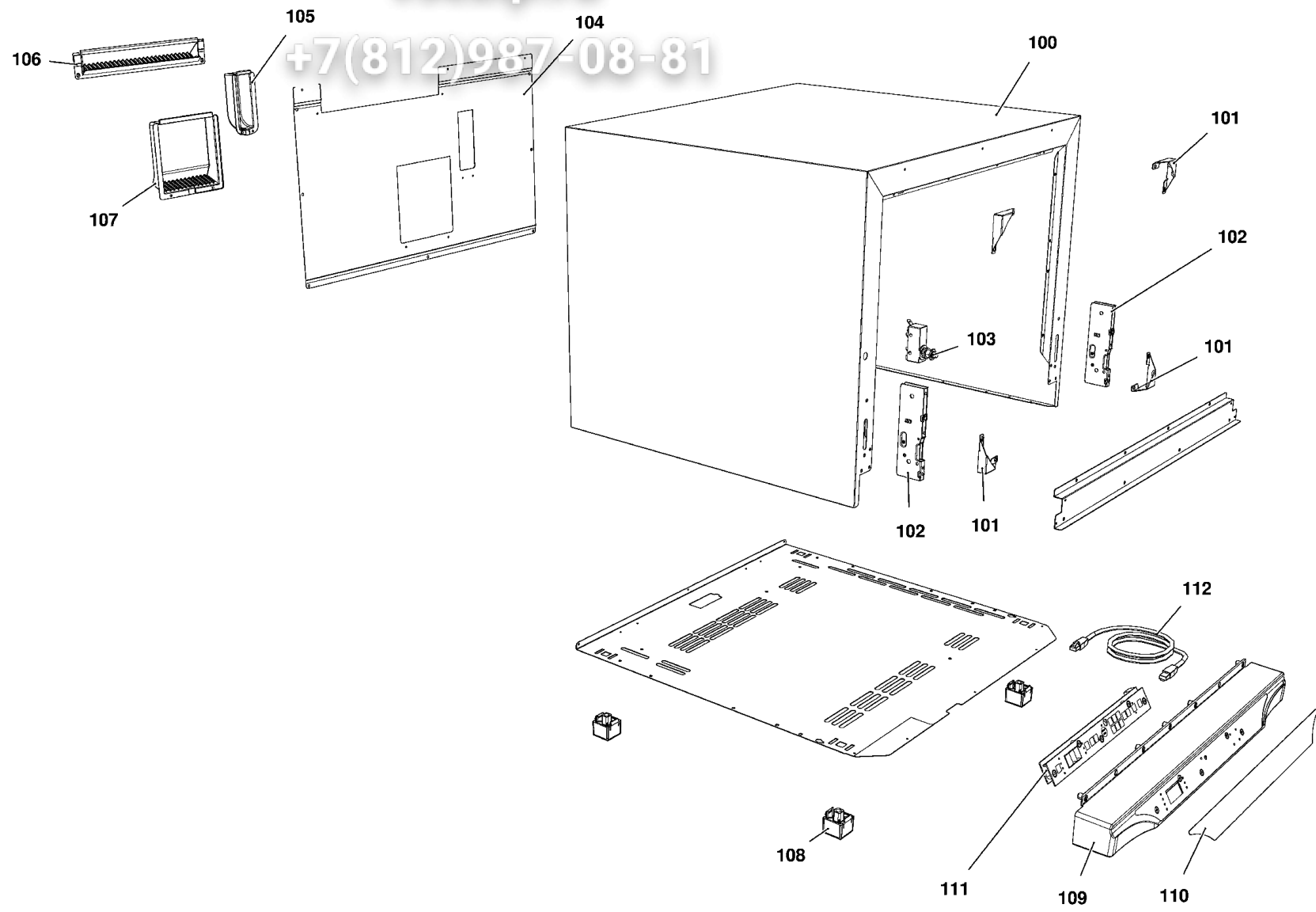


MOD:XFT135

Зип Общепит

vsezip.ru

+7(812)987-08-81

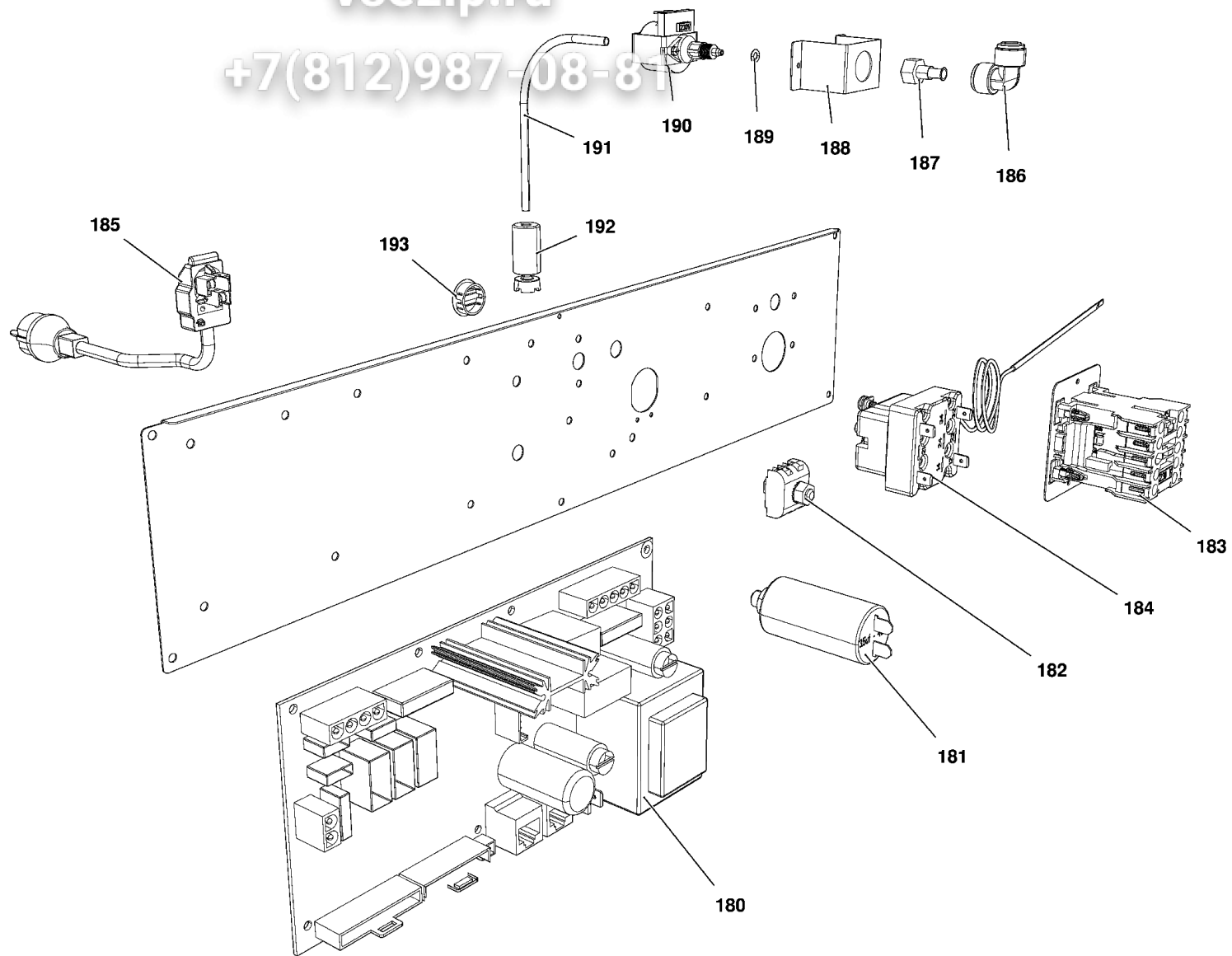


MOD:XFT135

Зип Общепит
vsezip.ru



+7(812)987-08-81



MOD:XFT135

Вип Общепит



vsezip.ru

Descrizione codici

+7(812)987-08-81

IT

| | | |
|----|----------|--|
| 1 | VT1062A | VETRO ESTERNO SER. GRIGIO 598X424X5 |
| 2 | VT1060A | VETRO INTERNO 515X414X4 BETFL |
| 3 | OH1925B | TUBO MANIGLIA L= 518 Ø18X1 |
| 4 | MG1015B | TERMINALE MANIGLIA L.MISS/L.MICRO/CHEFTO |
| 5 | OH1425B | COLONNINA SX/DX L.M. ARIA-ROSSEL 40X40X1 |
| 6 | CR1015A | CERNIERA PORTA FORNO RIBALTA L.M. |
| 7 | VM1051A | TAPPO INF. SX COLONNINA PORTA |
| 8 | VM1050A | TAPPO INF. DX COLONNINA PORTA |
| 9 | VM1045B | TAPPO SUP. DX COLONNINA PORTA |
| 10 | VM1046B | TAPPO SUP. SX COLONNINA PORTA |
| 11 | GN1130A | GUARNIZIONE SUPPORTO VETRO L.M. L=23MM |
| 12 | VM1025A | TAPPO NYLON PA66 V2 GRIGIO Ø16 |
| 40 | GN1352A | GN1110A-GUARNIZIONE PORTA LM ARIANNA |
| 41 | OG1110C | CARTER ARIA LM ARIANNA |
| 42 | VN1050A | VENTOLA D=196 H=32 38 PALE INOX DADO M6 |
| 43 | RS1130A | RESISTENZA CIRCOLARE D=230 3 SPIRE |
| 44 | GN1327A | GUARNIZIONE RES. 100X22 |
| 45 | OH3020A | DISCO TENUTA ALBERO MOTORE |
| 46 | GN1135A | GUARNIZIONE PORTAMOTORE STAMP. |
| 47 | OH3585A | LAMIERA PROTEZIONE MOTORE ZINCATO L.M. |
| 48 | GN1270A | RONDELLA PIANA 13X5.5X0.8 CARBOGRAFITE |
| 49 | VN1035B | MOTORE SISME 230 VAC LINE MISS |
| 50 | GRL1010A | GRIGLIA LATERALE DX/SX CROMATA |
| 51 | VM1815A | NOTTOLINO M6 CROMATO FISS. GRIGLIE |
| 52 | VE1015A | PORTA LAMPADA SERIE 2 PER LAMPADA |
| 53 | VE1005A | LAMPADA HALOPIN 25W |
| 54 | GN1065A | GUARNIZIONE PORTALAMPADA DE=53.2 |
| 55 | GN1055A | OR 46X2 VMQ 70 ROSSO |
| 56 | VT1195A | VETRO COPRILAMPADA BOROSILICATO TEMPRATO |
| 57 | TR1105A | SONDA TEMPERATURA PT100 L1000 |
| 58 | VM2052A | COPERCHIO Sonda TEMPERATURA LM |

| | | |
|-----|---------|--|
| 59 | UF1950A | TUBO EST. UMIDITA' + RC1165A0 |
| 60 | RC1170A | DADO M14 H=8 CH=22 INOX |
| 61 | EL1055A | RIDUZIONE INTERMEDIA D10-D8 |
| 62 | TB2034A | TB1815A-IMPIANTO IDRICO FORNI LMS |
| 63 | TG305 | TEGLIA 460X330 PIANA ALLUMINIO |
| 100 | OD1275B | MANTELLINO LM ARIANNA |
| 101 | OH1450A | ANGOLO FACCIATA MUFFOLA INOX XB-XV-XG |
| 102 | CR1000A | ATTACCO CERNIERA PORTA FORNO RIBALTA |
| 103 | VE1295A | MICROINTERRUTTORE PORTA MK 16A 230V UL |
| 104 | OF1085B | SCHIENA LM ARIANNA |
| 105 | VM1951A | CUFFIA COPRICAMINO IP |
| 106 | VM1950A | GRONDAIA PLASTICA |
| 107 | VM1952A | COPRIMOTORE IP |
| 108 | PD1001A | PIEDINO 35X35 H26 PLASTICA+GOMMA GRIGIO |
| 109 | VM2016A | CRUSCOTTO COMANDI DYNAMIC LMISS600 |
| 110 | MS1012A | MASCHERINA SERIGRAFATA DYNAMIC LM600 TOU |
| 111 | PE1980A | ASM SCHEDA CONTROLLO LMISS DYNAMIC |
| 112 | CE1012A | CAVO DI RETE RJ45 L1MT |
| 180 | PE1983A | SCHEDA POTENZA 230V LMISS DYNAMIC |
| 181 | VE1145A | CONDENSATORE 3,5 7F 450 VAC 50/60 HZ |
| 182 | VM1750A | MORSETTIERA A PETTINE |
| 183 | VE1115A | MINICONTATTORE QUADRIPOLORE 20 A 230 V |
| 184 | TR1140A | TERM.SIC.BIP. 350°C RIARMO MANUALE |
| 185 | MR1000A | CAVO 3X1,5 H07RN-F MT1,5+K2/3+SCHUKO |
| 186 | EL1185A | RACCORDO A GOMITO J.GUEST Ø8 - Ø8 |
| 187 | RC1180A | RIDUZIONE M10X1 FEMM-Ø8 INOX |
| 188 | OH3743A | SUPPORTO POMPA ULKA |
| 189 | GN1324A | O-RING GOMMA R4 |
| 190 | PM1000A | POMPA ULKA NME1C+ATT SUPERIORE 10M |
| 191 | TB1856A | TB1816A-TUBO POMPA ULKA |
| 192 | VL1010A | AFFONDANTE CON FILTRO |

| | | |
|-----|---------|---------------------------|
| 193 | VM1968A | TAPPO FORO ELETTROVALVOLA |
|-----|---------|---------------------------|

MOD:XFT135

Вип Общепит

vsezip.ru

+7(812)987-08-81



EN

Codes descriptions

| | | |
|----|----------|--|
| 1 | VT1062A | GREY EXTERNAL GLASS 598X424X5 |
| 2 | VT1060A | INNER GLASS 515X414X4 BETFL L.M. ARIANNA |
| 3 | OH1925B | ST. STEEL HANDLE TUBE EXT. D=18 TH=1 L=518 |
| 4 | MG1015B | L.MISS/L.MICRO/CHEFTOP HANDLE TERMINALS |
| 5 | OH1425B | L.M. ARIANNA-ROSE LEFT/RIGHT DOOR COLUMN |
| 6 | CR1015A | HINGE L.M. ARIANNA |
| 7 | VM1051A | LOWER COVER FOR LEFT COLUMN OF |
| 8 | VM1050A | LOWER COVER FOR RIGHT COLUMN OF |
| 9 | VM1045B | RIGHT UPPER LID FOR COLUMN FOR |
| 10 | VM1046B | LEFT UPPER LID FOR COLUMN FOR |
| 11 | GN1130A | LINE MISS INT. GLASS SEAL L=23MM |
| 12 | VM1025A | NYLON LID PA66 V2 GREY Ø16 |
| 40 | GN1352A | L.M. TOUCH ARIANNA DOOR GASKET - GN1110A |
| 41 | OG1110C | L.M. TOUCH ARIANNA FAN GUARD |
| 42 | VN1050A | STAINLESS STEEL FAN D=196 H=32 38 BLADES |
| 43 | RS1130A | CIRC. HEAT. ELEMENT D=230 3 TURNS |
| 44 | GN1327A | HEATING ELEMENT GASKET 100X22X0.8 |
| 45 | OH3020A | MOTOR SHAFT SEALING DISC |
| 46 | GN1135A | MOTOR SUPPORT SEALING |
| 47 | OH3585A | ZINCATE MOTOR GUARD PLATE L.M. |
| 48 | GN1270A | FALT WASHER 13X5.5X0.8 |
| 49 | VN1035B | LINE MISS 230 VAC MOTOR |
| 50 | GRL1010A | RIGHT/LEFT LATERAL GRID CHROM.PLATED |
| 51 | VM1815A | M6 LATERAL SUPPOTS FIXING BOLT |
| 52 | VE1015A | LAMP HOLDER SERIE 2 FOR HALOGEN LAMP |
| 53 | VE1005A | HALOGEN LAMP 33W ENERGY SAVER |
| 54 | GN1065A | SEAL FOR LAMP GLASS COVER (PURE |
| 55 | GN1055A | OR 46X2 VMQ 70 RED |
| 56 | VT1195A | BOROSILICATE LIGHT BULB GLASS COVER |
| 57 | TR1105A | TEMPERATURE PROBE PT100 L1000 |
| 58 | VM2052A | LINEMISS TEMPERATURE PROBE COVER |

| | | |
|-----|---------|--|
| 59 | UF1950A | EXTERNAL WATER PIPE + STAINLESS |
| 60 | RC1170A | STAINLESS STEEL NUT M14 H=8 CH=22 |
| 61 | EL1055A | INTERMEDIATE REDUCTION FROM D=10 TO D=8 |
| 62 | TB2034A | L.MISS WATER SYSTEM - TB1815A |
| 63 | TG305 | TRAY 460X330 FLAT ALUMINIUM |
| 100 | OD1275B | L.MISS ARIANNA OUTER CASING |
| 101 | OH1450A | XB-XV-XG ST. STEEL MUFFLE FRONT CORNER |
| 102 | CR1000A | HINGE LATCH L.M. |
| 103 | VE1295A | DOOR MICROSWITCH MK 16A 230V UL |
| 104 | OF1085B | L.MISS ARIANNA BACK PANEL |
| 105 | VM1951A | IP CHIMNEY COVER |
| 106 | VM1950A | PLASTIC DRIP FLAP |
| 107 | VM1952A | IP MOTOR COVER |
| 108 | PD1001A | FOOT 35X35 H26 GREY PLASTIC+RUBBER |
| 109 | VM2016A | L.MISS TOUCH DYNAMIC 46X33 CONTROL BOARD |
| 110 | MS1012A | L.MISS TOUCH DYN. CONTROL BOARD STICKER |
| 111 | PE1980A | LINEMISS DYNAMIC CONTROL BOARD |
| 112 | CE1012A | RI45 CABLE L= 1 MT |
| 180 | PE1983A | LINEMISS DYNAMIC POWER CARD |
| 181 | VE1145A | CONDENSER 3.5 7F 450 VAC 50/60 HZ |
| 182 | VM1750A | TERMINAL BOARD |
| 183 | VE1115A | MINI CONTACTOR WITH 4 POLES 20 A 230 V |
| 184 | TR1140A | 350°C SAFETY THERMOSTAT MANUAL RESET |
| 185 | MR1000A | CABLE 3X1,5 H07RN-F MT1,5+K2/3+SCHUKO |
| 186 | EL1185A | ELBOW CONNECTION J. GUEST Ø8 - Ø8 |
| 187 | RC1180A | ST. STEEL M10X1 FEMALE-Ø8 REDUCTION |
| 188 | OH3743A | PUMP EL070 SUPPORT |
| 189 | GN1324A | RUBBER O-RING NBR70/75SH R=4 |
| 190 | PM1000A | PUMP NME1C+ATT SUP PUMP M10 09.02.060/B |
| 191 | TB1856A | ULKA PUMP PIPE - TB1816A |
| 192 | VL1010A | HOLD DOWN WEIGHT WITH FILTER |

| | | |
|-----|---------|--------------------|
| 193 | VM1968A | SOLENOID INLET CAP |
|-----|---------|--------------------|