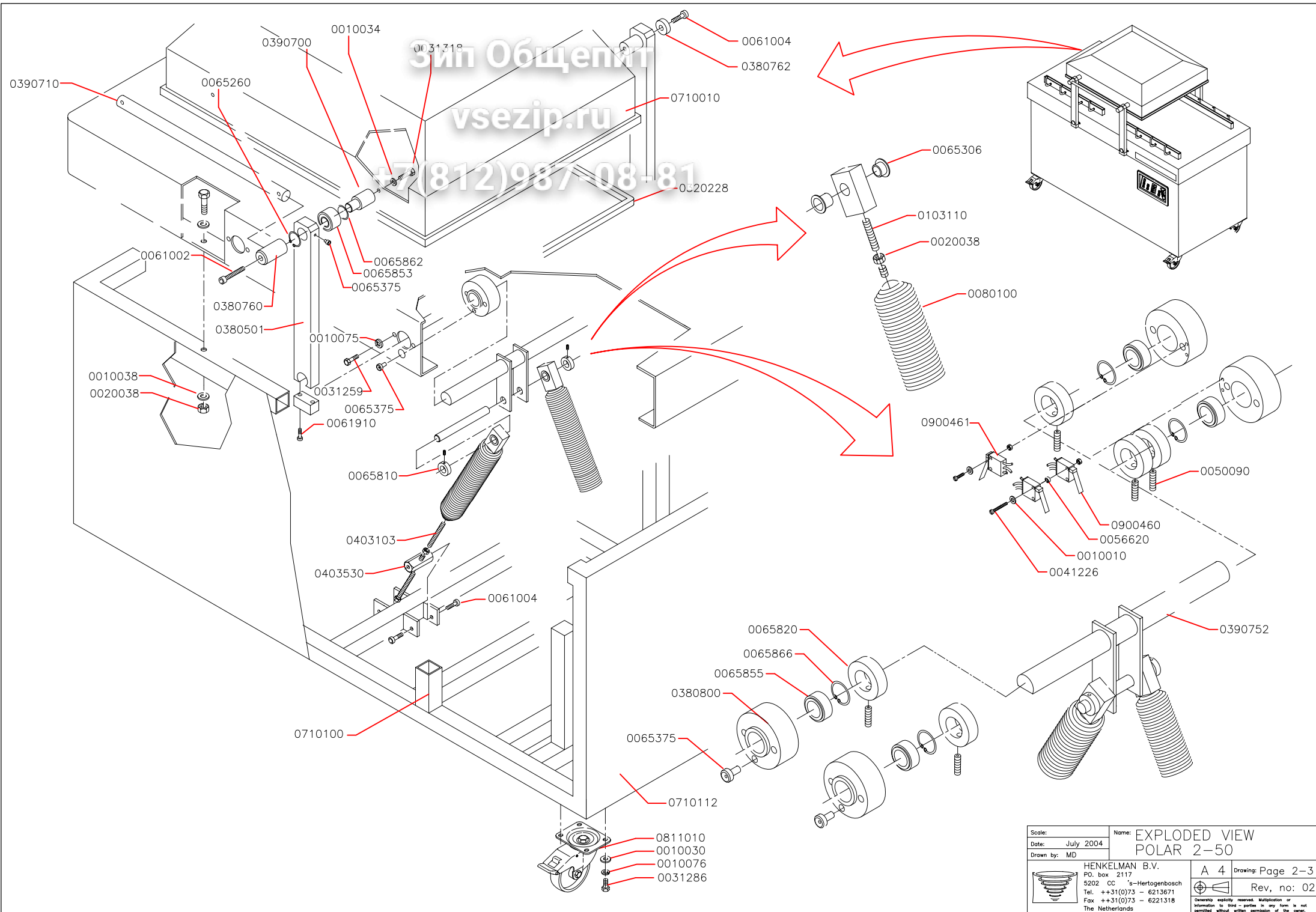

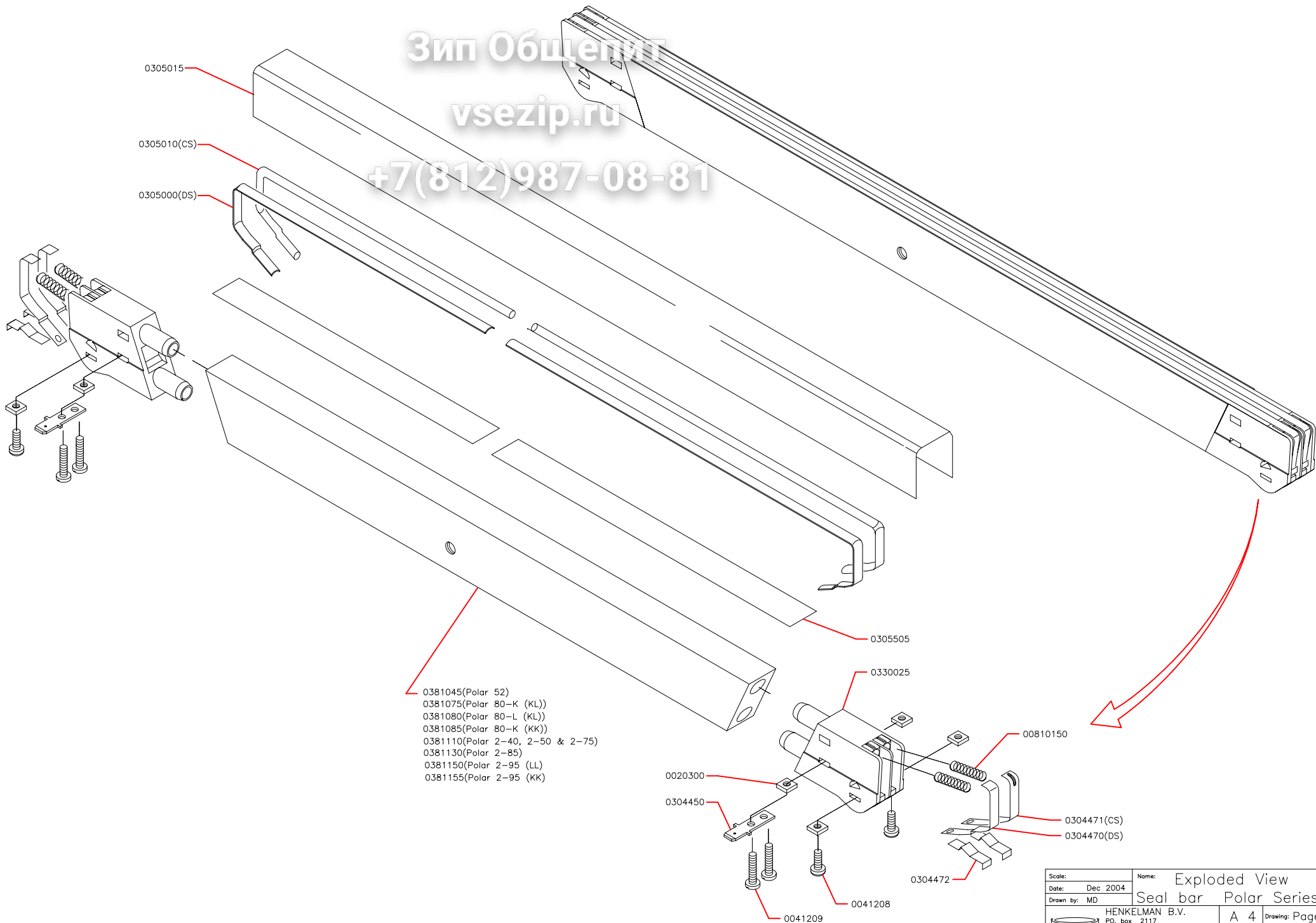


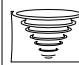
Scale:	Name: Exploded view
Date: July 2004	POLAR 2-50
Drawn by: MD	
HENKELMAN B.V. P.O. box 2117 5202 CC 's-Hertogenbosch Tel. ++31(0)73 - 6213671 Fax ++31(0)73 - 6221318 The Netherlands	
A 4	Drawing: Page 1-3
Rev. no: 02	
<small>Ownership explicitly reserved. Multiplication or information to third parties in any form is not permitted without written permission of the owner.</small>	



Scale:	Name: EXPLODED VIEW POLAR 2-50	
Date: July 2004		
Drawn by: MD		
 HENKELMAN B.V. P.O. box 2117 5202 CC 's-Hertogenbosch Tel. ++31(0)73 - 6213671 Fax ++31(0)73 - 6221318 The Netherlands	A 4 Drawing: Page 2-3	
	Rev. no: 02	
	<small>Ownership explicitly reserved. Multiplication or information to third parties in any form is not permitted without written permission of the owner.</small>	

Зип Общепит
vsezip.ru
+7(812)987-08-81

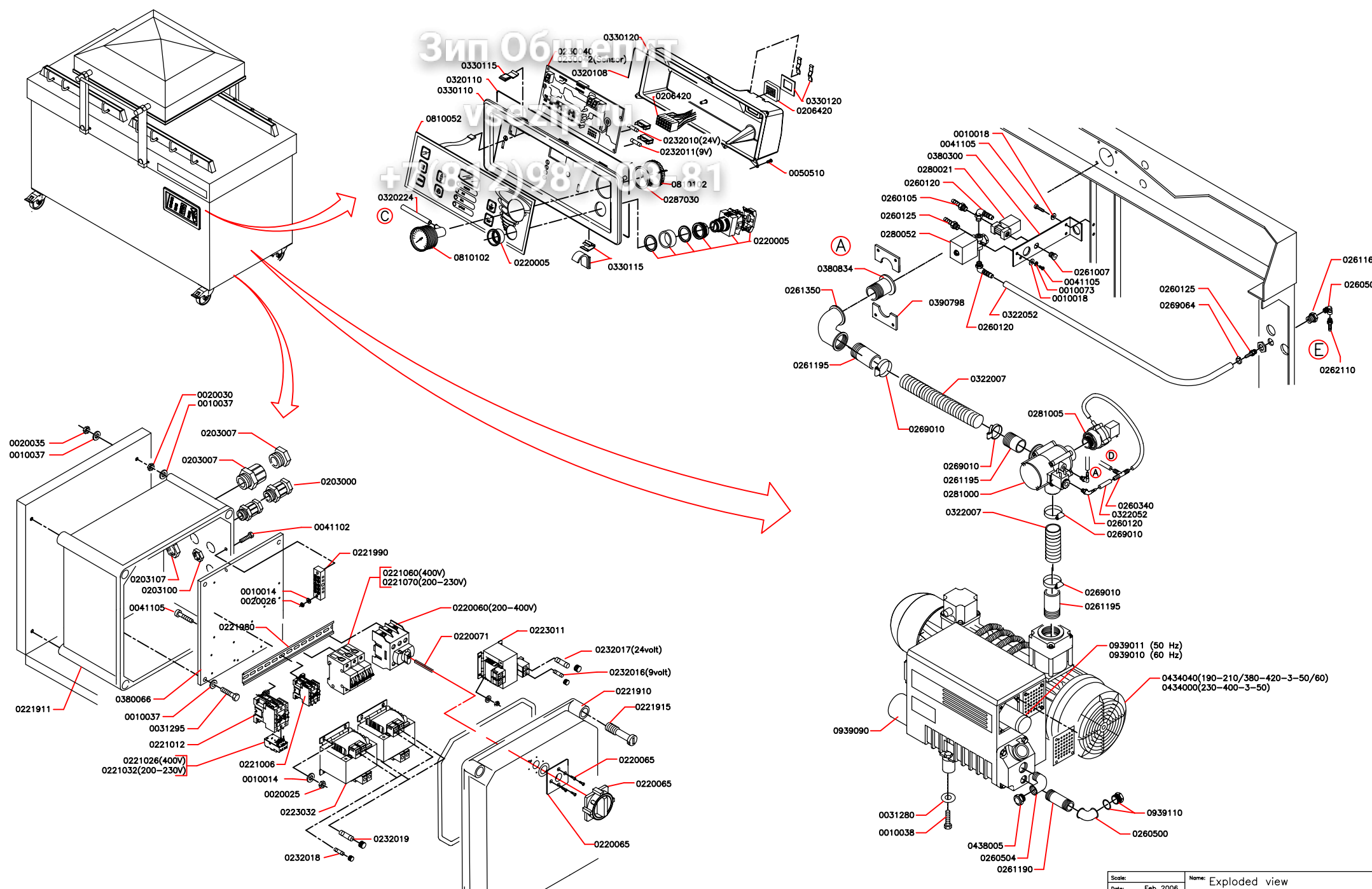


Scale:	Name:	Exploded View	
Date:	Dec 2004	Seal bar Polar Series	
Drawn by:	MD	Rev. 01	
HENKELMAN B.V. P.O. box 2117 5202 CC s-Hertogenbosch Tel. ++31(0)73 - 6213671 Fax ++31(0)73 - 6221318 The Netherlands		A 4	Drawing: Page 1-1
		<small>Ownership explicitly reserved. Multiplication or information to third parties in any form is not permitted without written permission of the owner.</small>	

Зип Обменит

www.zip.ru

+8 (2) 987 40 81



Scale:		Name:	Exploded view
Date:	Feb 2006		POLAR 2-50
Drawn by:	MD		
HENKELMAN B.V. P.O. box 2117 5202 CC 's-Hertogenbosch Tel. ++31(0)73 - 6213671 Fax ++31(0)73 - 6221318 The Netherlands		A 4 Drawing: Page 1-3 Rev. no: 03	

