

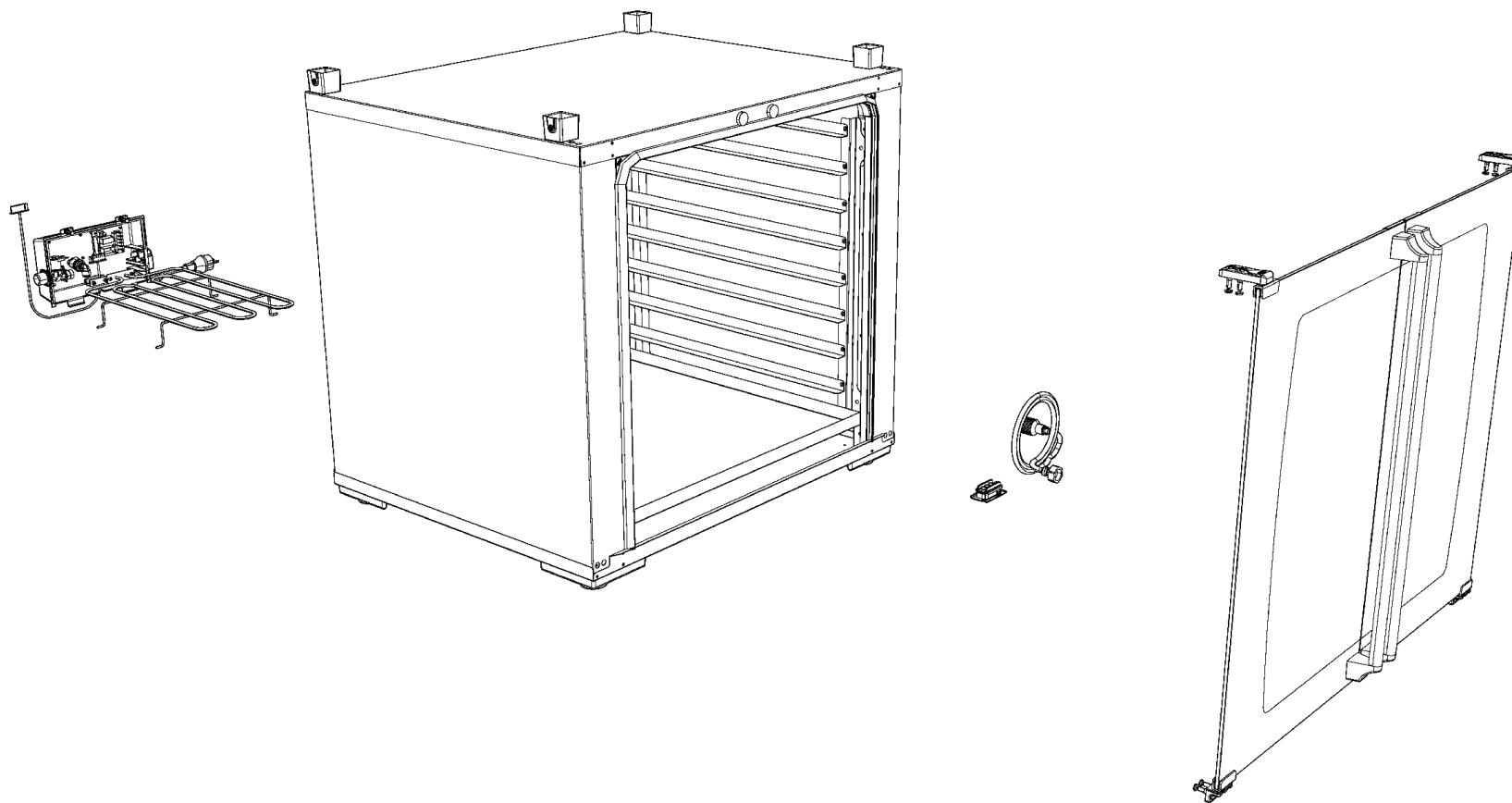
MOD:XLT195

Зип Общепит

vsezip.ru



+7(812)987-08-81

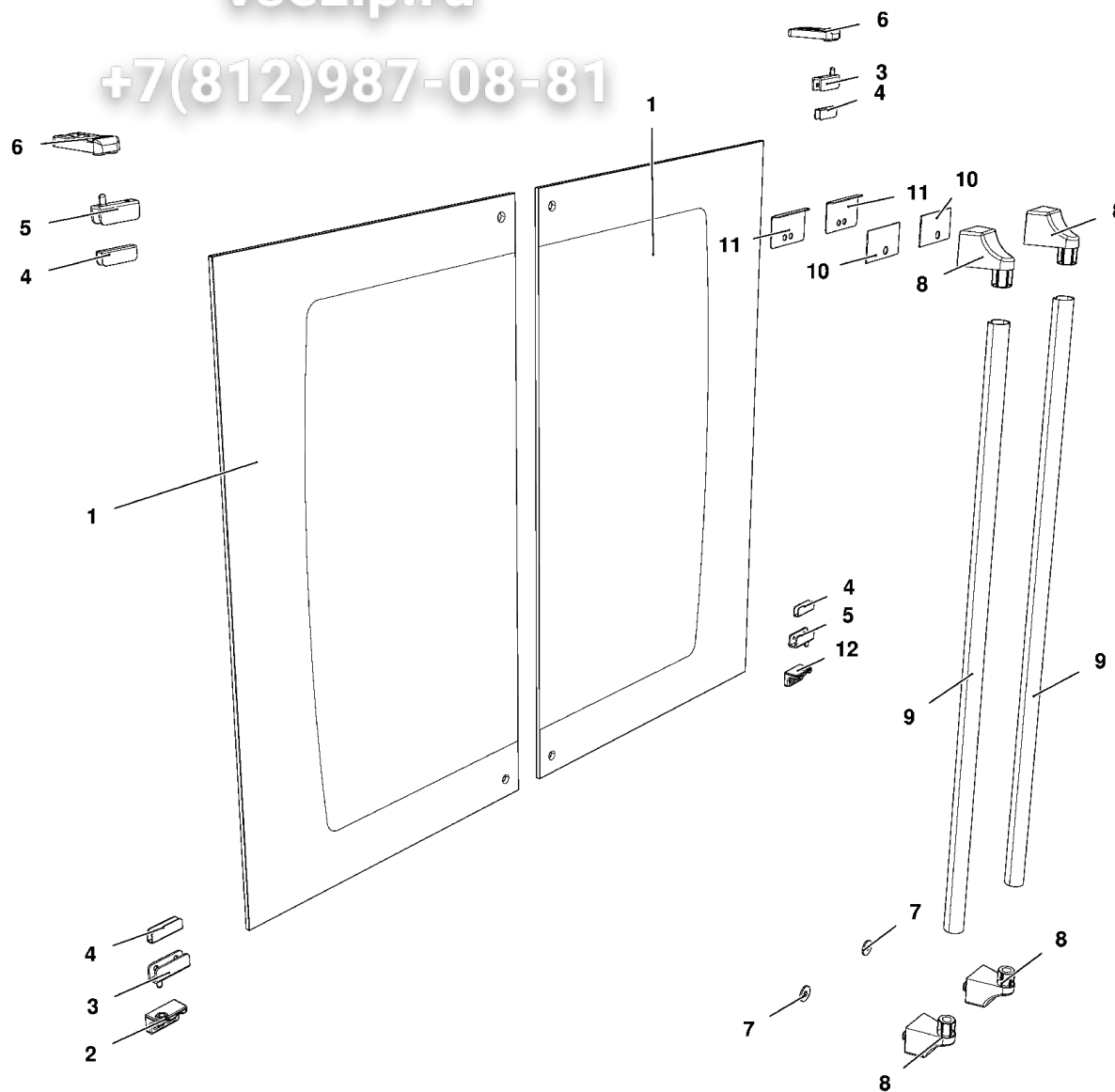


MOD:XLT195

Зип Общепит
vsezip.ru



+7(812)987-08-81

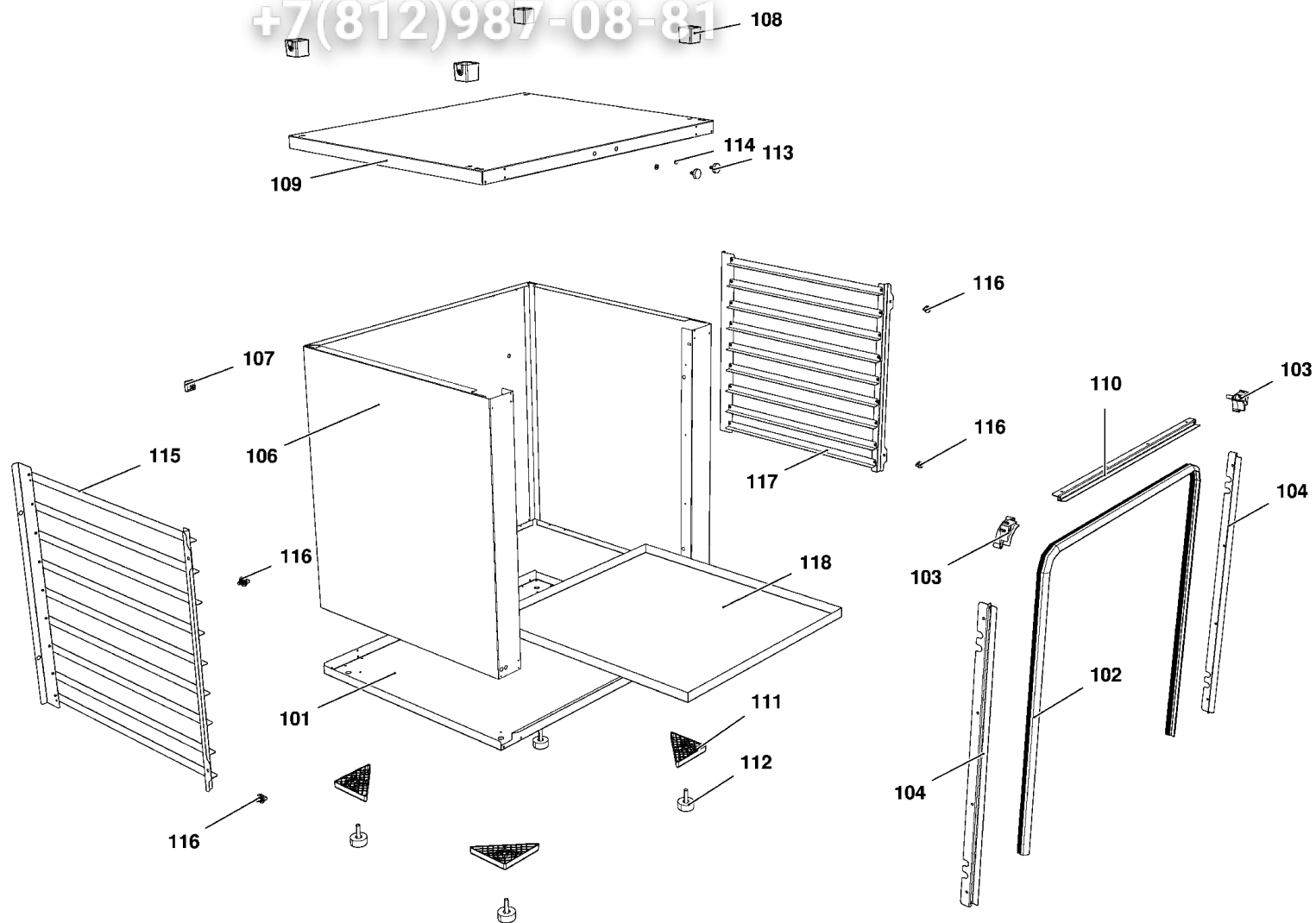


MOD:XLT195

Зип Общепит
vsezip.ru



+7(812)987-08-81

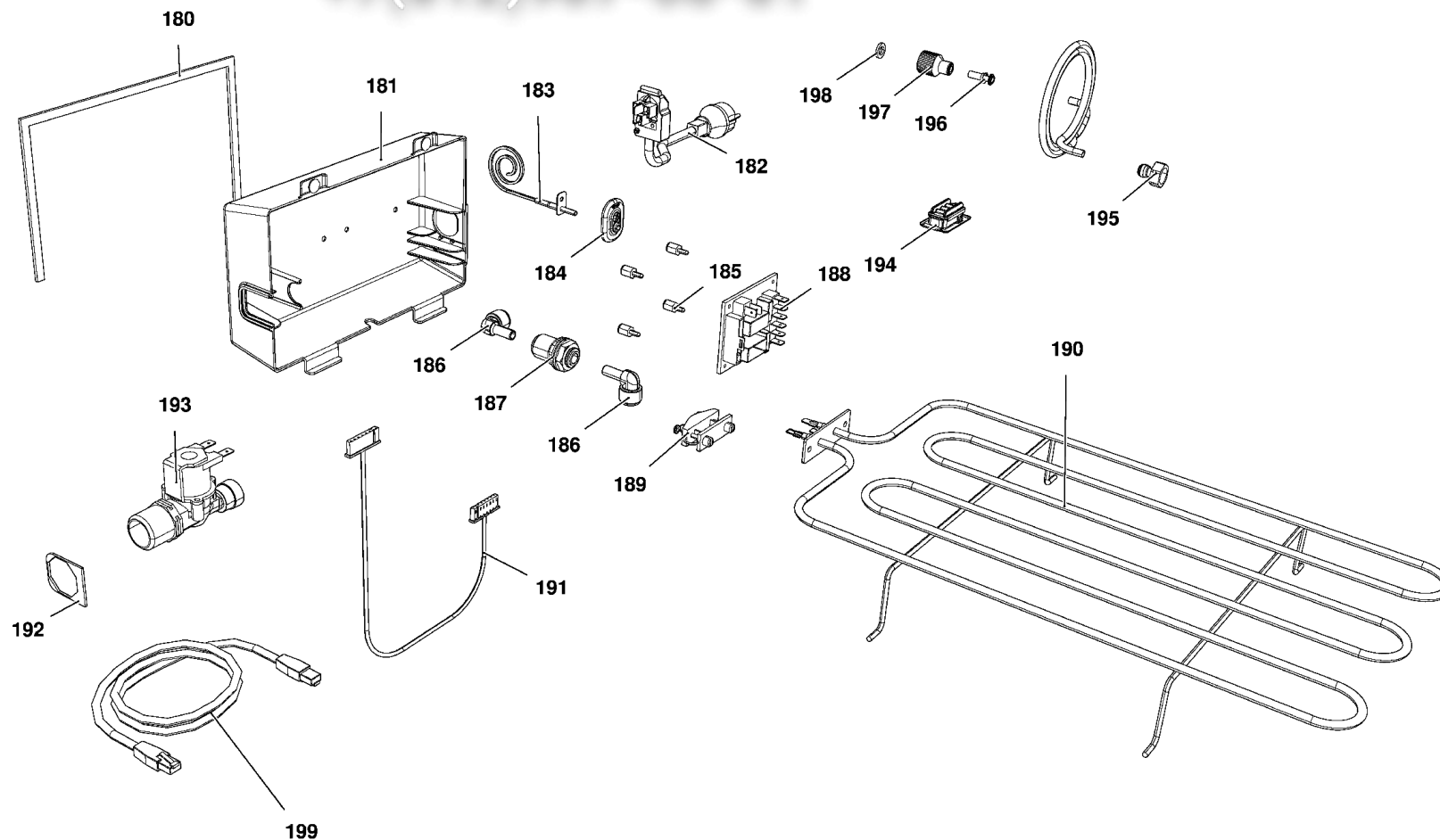


MOD:XLT195

Зип Общепит

vsezip.ru

+7(812)987-08-81



MOD:XLT195

Зип Общепит

vsezip.ru

+7(812)987-08-81



IT

Descrizione codici

| | | | | | |
|-----|----------|--|-----|---------|---|
| 1 | VT1086B | VETRO PORTA 399X661 NERO XLT195/XLT193 | 182 | MR1000A | CAVO 3X1,5 H07RN-F MT1,5+K2/3+SCHUKO |
| 2 | VM1024A | STAFFA INFERIORE SX PORTA LIEVITATORE | 183 | TR1105A | SONDA TEMPERATURA PT100 L1000 |
| 3 | CR1080A | CERNIERA DX INOX XV-XL-XB | 184 | VM2052A | COPERCHIO SONDA TEMPERATURA LM |
| 4 | GN1320A | GUARNIZIONE CERNIERA VETRO PORTA | 185 | VM1745A | SUPPORTO PER SCHEDA |
| 5 | CR1081A | CERNIERA SX INOX XV-XL-XB | 186 | EL1195B | RACCORDO GOMITO D8F-D8M |
| 6 | VM1022A | STAFFA SUPERIORE PORTA LIEVITATORE | 187 | EL1125A | PASSAPARETE Ø8 |
| 7 | VM1720A | RONDELLA PORTA XL405 | 188 | PE1065B | SCHEDA POTENZA LIEVITATORE LM |
| 8 | MG1015B | TERMINALE MANIGLIA L.MISS/L.MICRO/CHEFTO | 189 | VE1075A | PRESSACAVO FV 268 RO+VITI FISSAGGIO |
| 9 | TB1077A | TUBO MANIGLIA XLT135/XLT195 Ø18x1 | 190 | RS1095A | RESISTENZA PIANA 1200W 230V |
| 10 | GN1330A | GUARNIZIONE LAMIERINO FERRITICO XL405 | 191 | CE1023A | CAVO DATI LIEVITATORE-FORNO UL CSA |
| 11 | OH4540A | LAMIERA PER CALAMITA PORTA XL 405 | 192 | OH1196A | LAMIERINO CHIUSURA PORTACOMP. XLT |
| 12 | VM1023A | STAFFA INFERIORE DX PORTA LIEVITATORE | 193 | EL1140A | ELETTRIVALVOLA SINGOLA ATT. J.GUEST |
| 101 | OE1004B | FONDO ESTERNO XLT195/XLT193 | 194 | VM2061A | PASSAPARETE CAVI ACCESSORI COMPLETO |
| 102 | GN1521A | GUARNIZIONE PORTA XLT195/XLT193 | 195 | RC1030A | RACCORDO DIRITTO D=8 - 3/4 FEMMINA JOHN |
| 103 | VM1645A | ANGOLO GUARNIZIONE XL405 | 196 | RC1002A | RACCORDO RIDUZIONE CODOLO 10M-8F |
| 104 | OH1181A | PROFILO LAT. GUARNIZIONE XLT135/XLT133 | 197 | RC1365A | RACCORDO JG FEMMINA 3/4"-10 |
| 106 | OD1034B | MANTELLINO XLT195/XLT193 | 198 | GN1200A | GUARNIZIONE D=24 RACCORDO 3/4 GOMMA |
| 107 | VM1750A | MORSETTIERA A PETTINE | 199 | CE1305A | CAVO RJ45 - RJ45 L=2MT |
| 108 | VM1029A | RIALZO PIEDINO SOVRAPPOSIZIONE LM | | | |
| 109 | OD1047A | COPERCHIO XLT195 | | | |
| 110 | OH1188A | PROFILO SUP. GUARNIZIONE XLT195/XLT193 | | | |
| 111 | VM1281A | STAFFA TRIANGOLARE PIEDINO-RUOTA | | | |
| 112 | PD1065A | PIEDINO D45 H20 M10X40 | | | |
| 113 | VE1607A | VENTOSA MAGNETICA GOMMATA D22 H6 M6X14.5 | | | |
| 114 | VI1521A | RONDELLA PIANA 6X12X1 INOX | | | |
| 115 | GRL1016A | GRIGLIA LATERALE SX LIEVITATORE LM 800 | | | |
| 116 | VM1820A | NOTTOLINO M6 CROMATO FISS. SUPPORTI | | | |
| 117 | GRL1017A | GRIGLIA LATERALE DX LIEVITATORE LM 800 | | | |
| 118 | OH1192A | VASCA UMIDITA' XLT195 | | | |
| 180 | GN1523A | GUARNIZIONE SCATOLA COMPONENTI XLT | | | |
| 181 | VE1130B | SCATOLA PORTACOMPONENTI LIEVITATORE | | | |

MOD:XLT195

Зип Общепит

vsezip.ru

Codes descriptions



EN

+7(812)987-08-81

| | | |
|-----|----------|---|
| 1 | VT1086B | XLT195\XLT193 DOOR BLACK GLASS 399x661 |
| 2 | VM1024A | PROVER DOOR LEFT LOWER BRACKET |
| 3 | CR1080A | XV-XL-XB ST. STEEL RIGHT HINGE |
| 4 | GN1320A | DOOR GLASS HINGE GASKET |
| 5 | CR1081A | XV-XL-XB ST. STEEL LEFT HINGE |
| 6 | VM1022A | PROVER DOOR UPPER BRACKET |
| 7 | VM1720A | DOOR WASHER XL405 |
| 8 | MG1015B | L.MISS/L.MICRO/CHEFTOP HANDLE TERMINALS |
| 9 | TB1077A | XLT135/XLT195 Ø18x1 HANDLE TUBE |
| 10 | GN1330A | FERRITIC PLATE GASKET XL405 |
| 11 | OH4540A | MAGNET DOOR PLATES XL405 |
| 12 | VM1023A | PROVER DOOR RIGHT LOWER BRACKET |
| 101 | 0E1004B | XLT195\XLT193 EXTERNAL BOTTOM PANEL |
| 102 | GN1521A | XLT195\XLT193 DOOR GASKET |
| 103 | VM1645A | CABINET AND PROVER GASKET CORNER |
| 104 | OH1181A | XLT135\XLT133 DOOR GASKET LAT. PROFILE |
| 106 | OD1034B | XLT195\XLT193 EXTERNAL CHASING |
| 107 | VM1750A | TERMINAL BOARD |
| 108 | VM1029A | L.MISS STACKING FOOT RISE |
| 109 | OD1047A | XLT195 EXTERNAL UPPER COVER |
| 110 | OH1188A | XLT195\XLT193 GASKET UPPER PROFILE |
| 111 | VM1281A | TRIANGULAR BRACKET FOR FOOT AND WHEEL |
| 112 | PD1065A | ACCESSORY FOOT D45 H20 M10X40 |
| 113 | VE1607A | RUBBER MAGNETIC SUCTION CUP |
| 114 | VI1521A | STAINLESS STEEL WASHER D=6 6592 |
| 115 | GRL1016A | L.Miss Prover 46x66 LEFT LATERAL GRID |
| 116 | VM1820A | LATERAL SUPPORTS M6 FIXING BOLTS |
| 117 | GRL1017A | L.Miss Prover 46x66 RIGHT LATERAL GRID |
| 118 | OH1192A | XLT195 WATER TRAY |
| 180 | GN1523A | XLT COMPONENTS BOX SEAL |
| 181 | VE1130B | PROVERS COMPONENTS HOLDING BOX |

| | | |
|-----|---------|--|
| 182 | MR1000A | CABLE 3X1,5 H07RN-F MT1,5+K2/3+SCHUKO |
| 183 | TR1105A | TEMPERATURE PROBE PT100 L1000 |
| 184 | VM2052A | LineMiss TEMPERATURE PROBE COVER |
| 185 | VM1745A | BOARD SUPPORT |
| 186 | EL1195B | D8F-D8M ELBOW CONNECTION |
| 187 | EL1125A | WALL PASSING SEAL Ø8 |
| 188 | PE1065B | Line Miss PROVER CONTROL CARD |
| 189 | VE1075A | WIRE CLAMP FV 268 RO + FIXING SCREWS |
| 190 | RS1095A | HEATING ELEMENT 1200W 230V |
| 191 | CE1023A | PROVER-OVEN DATA CONNECTING CABLE |
| 192 | OH1196A | XLT COMPONENTS HOLDER SEALING PLATE |
| 193 | EL1140A | SINGLE WATER ELECTROVALVE W/ J.GUEST |
| 194 | VM2061A | ACCESSORIES CABLES WALL PASSING |
| 195 | RC1030A | STRAIGHT JOINT D=8-3/4 FEMALE JOHN |
| 196 | RC1002A | 10M-8F J.G. TERMINAL REDUCTION FITTING |
| 197 | RC1365A | 3/4"-10 JG FEMALE CONNECTION |
| 198 | GN1200A | 3/4 CONNECTION SEAL D=24 RUBBER+NET |
| 199 | CE1305A | RJ45 - RJ45 CABLE L=2MT |